

# ***ALFA GIULIETTA (116)***

***All prices including tax, delivery costs are extra***

## Table Of Content

<b>BODY</b>	<b>13</b>
LIGHTING	13
FENDER PANEL/SILL	14
WHEELARCH/ENDPANEL	15
DOOR PANEL	15
CAR COVER	15
BODY	16
GLAZING	16
MIRROR	17
LIGHTING	18
BODY PARTS FRONT	19
BODY PARTS MIDDLE	20
BODY PARTS REAR	21
DOOR MECHANICAL	22
BUMPER/FRONTGRILLE	23
LETTERS/EMBLEM	24
RUBBER GASKETS	25
FILLER NECK RUBBER	26
INSULATING MATS	27
INTERIOR PARTS	28
ROOF TRIM	28
CARPET SET	29
FLOOR MATS	30
TRUNK CARPET	31
SEAT COVER	32
DASH BOARD	33
CENTER CONSOLE	34
DOOR TRIM PANELS	35
TYPE PLATES	36
<b>ENGINE</b>	<b>37</b>
GLAZING	37
JACK	38
MIRROR	39
IGNITION	40
V-BELTS	41
BODY	42
GLAZING	42
MIRROR	43
LIGHTING	44
BODY PARTS FRONT	45
BODY PARTS MIDDLE	46
BODY PARTS REAR	47
DOOR MECHANICAL	48
BUMPER/FRONTGRILLE	49
LETTERS/EMBLEM	50

RUBBER GASKETS	51
FILLER NECK RUBBER	52
INSULATING MATS	53
INTERIOR PARTS	54
ROOF TRIM	54
CARPET SET	55
FLOOR MATS	56
TRUNK CARPET	57
SEAT COVER	58
DASH BOARD	59
CENTER CONSOLE	60
DOOR TRIM PANELS	61
TYPE PLATES	62
LIGHTING	63
CAR COVER	64
V-BELTS	65
GEARBOX	66
GEARBOX MOUNT	66
SPRINGS	67
BRAKE DISCS	68
STARTER/ALTERNATOR	69
BATTERY CHARGERS	70
FUEL SYSTEM	71
FUEL PUMP	71
ENGINE	72
V-BELTS	72
ENGINE GASKEKTS	73
HEAD SET	73
FULL SET	74
GASKETS ENGINE	75
CRANKSHAFT SEALS	76
REINZ UNIVERSAL	77
COOLING SYSTEM	78
THERMOSTAT	78
WATERPUMP	79
RADIATOR	80
RADIATOR HOSES	81
FUEL SYSTEM	82
ENGINEMOUNT	83
VALVE GEAR	84
PISTONS/BEARINGS	85
BODY PARTS FRONT	86
CLUTCH	87
SHOCK ABSORBER	88
CALIPER FRONT	89
SWITCHES	90
FUEL MANAGEMENT	91

INTAKE MANIFOLD	91
FENDER PROTECTOR	92
EXHAUST SYSTEM	93
ENGINE GASKEKTS	94
HEAD SET	94
FULL SET	95
GASKETS ENGINE	96
CRANKSHAFT SEALS	97
REINZ UNIVERSAL	98
CLUTCH ACTUATION	99
ATTACHMENT FRONT	100
CALIPER REAR	101
SENSOR	102
ENGINE GASKETS	103
GASKETS ENGINE	103
HEAD SET	104
FULL SET	105
REINZ UNIVERSAL	106
FILTER	107
BODY PARTS MIDDLE	108
COOLING SYSTEM	109
THERMOSTAT	109
WATERPUMP	110
RADIATOR	111
RADIATOR HOSES	112
ATTACHMENT REAR	113
BRAKE PADS	114
INSTALLATION MATERIAL	115
COOLING SYSTEM	116
RADIATOR	116
1.3	116
1.6	117
1.8	118
2.0	119
THERMOSTAT	120
1.3	120
1.6	121
1.8	122
1.8 Turbo	123
2.0	124
WATERPUMP	125
1.6	125
1.3	126
1.8	127
1.8 Turbo	128
2.0	129
RADIATOR HOSES	130

DRIVETRAIN	131
GEARBOX	131
GEARBOX MOUNT	131
CLUTCH	132
CLUTCH ACTUATION	133
PROP SHAFT	134
DIFFERENTIAL	135
BODY PARTS REAR	136
PROP SHAFT	137
STABILIZER FRONT	138
Kontrollleuchten	139
ENGINE MOUNT	140
SUSPENSION	141
SPRINGS	141
SHOCK ABSORBER	142
ATTACHMENT FRONT	143
ATTACHMENT REAR	144
STABILIZER FRONT	145
STABILIZER REAR	146
WHEEL BEARING SET	147
WHEELS	148
DIFFERENTIAL	149
STABILIZER REAR	150
DOOR MECHANICAL	151
WIRING HARNESS	152
VALVE GEAR	153
CAMSHAFT	153
TIMING CHAIN	154
VALVE MECHANISM	155
WHEEL BEARING SET	156
WHEELS	157
PISTONS/BEARINGS	158
PISTONS	158
BEARINGS	159
BRAKE SYSTEM	161
BRAKE DISCS	161
CALIPER FRONT	162
CALIPER REAR	163
BRAKE PADS	164
BRAKE SERVO/BRAKE MASTER CYLINDER	165
BRAKE HOSES/BRAKE VALVE	166
HANDBRAKE	167
BUMPER/FRONTGRILLE	168
ELECTRIC	169
IGNITION	169
STARTER/ALTERNATOR	170
SWITCHES	171

SENSOR	172
INSTALLATION MATERIAL	173
Kontrollleuchten	174
WIRING HARNESS	175
LETTERS/EMBLEM	176
BRAKE SERVO/BRAKE MASTER CYLINDER	177
BRAKE HOSES/BRAKE VALVE	178
RUBBER GASKETS	179
FILLER NECK RUBBER	180
ALFA MONTREAL	181
BODY	181
GLAZING	181
MIRROR	182
LIGHTING	183
BODY PARTS FRONT	184
BODY PARTS MIDDLE	185
BODY PARTS REAR	186
DOOR MECHANICAL	187
BUMPER/FRONTGRILLE	188
LETTERS/EMBLEM	189
RUBBER GASKETS	190
FILLER NECK RUBBER	191
INSULATING MATS	192
INTERIOR PARTS	193
ROOF TRIM	193
CARPET SET	194
FLOOR MATS	195
TRUNK CARPET	196
SEAT COVER	197
DASH BOARD	198
CENTER CONSOLE	199
DOOR TRIM PANELS	200
TYPE PLATES	201
ENGINE	202
V-BELTS	202
ENGINE GASKEKTS	203
HEAD SET	203
FULL SET	204
GASKETS ENGINE	205
CRANKSHAFT SEALS	206
REINZ UNIVERSAL	207
COOLING SYSTEM	208
THERMOSTAT	208
WATERPUMP	209
RADIATOR	210
RADIATOR HOSES	211
FUEL SYSTEM	212

ENGINE MOUNT	213
VALVE GEAR	214
PISTONS/BEARINGS	215
EXHAUST SYSTEM	216
FILTER	217
DRIVETRAIN	218
GEARBOX	218
GEARBOX MOUNT	218
CLUTCH	219
CLUTCH ACTUATION	220
PROP SHAFT	221
DIFFERENTIAL	222
SUSPENSION	223
SPRINGS	223
SHOCK ABSORBER	224
ATTACHMENT FRONT	225
ATTACHMENT REAR	226
STABILIZER FRONT	227
STABILIZER REAR	228
WHEEL BEARING SET	229
WHEELS	230
BRAKE SYSTEM	231
BRAKE DISCS	231
CALIPER FRONT	232
CALIPER REAR	233
BRAKE PADS	234
BRAKE SERVO/BRAKE MASTER CYLINDER	235
BRAKE HOSES/BRAKE VALVE	236
HANDBRAKE	237
ELECTRIC	238
IGNITION	238
STARTER/ALTERNATOR	239
SWITCHES	240
SENSOR	241
INSTALLATION MATERIAL	242
Kontrollleuchten	243
WIRING HARNESS	244
STEERING	245
WIPER	246
MISCELLANEOUS	247
JACK	247
CAR COVER	248
BATTERY CHARGERS	249
FENDER PROTECTOR	250
INSULATING MATS	251
INTERIOR PARTS	252
ROOF TRIM	252

CARPET SET	253
FLOOR MATS	254
TRUNK CARPET	255
SEAT COVER	256
DASH BOARD	257
CENTER CONSOLE	258
DOOR TRIM PANELS	259
TYPE PLATES	260
FUEL SYSTEM	261
HANDBRAKE	262
ENGINEMOUNT	263
VALVE GEAR	264
PISTONS/BEARINGS	265
STEERING	266
WIPER	267
MISCELLANEOUS	268
JACK	268
CAR COVER	269
BATTERY CHARGERS	270
FENDER PROTECTOR	271
ENGINE	272
V-BELTS	272
ENGINE GASKEKTS	273
HEAD SET	273
FULL SET	274
GASKETS ENGINE	275
CRANKSHAFT SEALS	276
REINZ UNIVERSAL	277
COOLING SYSTEM	278
THERMOSTAT	278
WATERPUMP	279
RADIATOR	280
RADIATOR HOSES	281
FUEL SYSTEM	282
ENGINEMOUNT	283
VALVE GEAR	284
PISTONS/BEARINGS	285
<b>FILTER</b>	286
FILTER	286
EXHAUST SYSTEM	287
<b>EXHAUST SYSTEM</b>	288
2.0 TD	288
1.3	289
1.6	290
1.8	291
2.0	292
FILTER	293



<b>DRIVETRAIN</b>	<b>294</b>
DRIVESHAFT	294
GEAR MOUNT	295
CLUTCH SET	296
CLUTCH ACTUATION	297
SIDE SHAFT 1.3/1.6/1.8/2.0	298
DRIVETRAIN	299
GEARBOX	299
GEARBOX MOUNT	299
CLUTCH	300
CLUTCH ACTUATION	301
PROP SHAFT	302
DIFFERENTIAL	303
<b>SUSPENSION</b>	<b>304</b>
SPRINGS	304
SHOCK ABSORBER	305
ATTACHMENT FRONT	306
ATTACHMENT REAR	307
STABILIZER FRONT	308
STABILIZER REAR	309
WHEEL BEARING	310
SUSPENSION	311
SPRINGS	311
SHOCK ABSORBER	312
ATTACHMENT FRONT	313
ATTACHMENT REAR	314
STABILIZER FRONT	315
STABILIZER REAR	316
WHEEL BEARING SET	317
WHEELS	318
<b>STEERING</b>	<b>319</b>
STEERINGPARTS	319
<b>BRAKES</b>	<b>320</b>
BRAKE DISCS	320
BRAKE PADS	321
BRAKE PAD ATTACHMENT	322
CALIPER	323
BRAKE SERVO/BRAKE MASTER CYL.	324
BRAKE VALVE	325
BRAKE HOSES	326
BRAKE CABLE	327
BRAKE SYSTEM	328
BRAKE DISCS	328
CALIPER FRONT	329
CALIPER REAR	330
BRAKE PADS	331
BRAKE SERVO/BRAKE MASTER CYLINDER	332

BRAKE HOSES/BRAKE VALVE	333
HANDBRAKE	334
<b>ELECTRIC</b>	335
ENGINE ELECTRIC	335
DISTRIBUTOR	335
IGNITION PARTS	336
STARTER/ALTERNATOR	337
IGNITION SWITCH	338
ELECTRIC	339
IGNITION	339
STARTER/ALTERNATOR	340
SWITCHES	341
SENSOR	342
INSTALLATION MATERIAL	343
Kontrollleuchten	344
WIRING HARNESS	345
<b>MISCELLANEOUS</b>	346
CAR COVER	346
BATTERY CHARGERS	347
FENDER PROTECTOR	348
ALFA MONTREAL	349
BODY	349
GLAZING	349
MIRROR	350
LIGHTING	351
BODY PARTS FRONT	352
BODY PARTS MIDDLE	353
BODY PARTS REAR	354
DOOR MECHANICAL	355
BUMPER/FRONTGRILLE	356
LETTERS/EMBLEM	357
RUBBER GASKETS	358
FILLER NECK RUBBER	359
INSULATING MATS	360
INTERIOR PARTS	361
ROOF TRIM	361
CARPET SET	362
FLOOR MATS	363
TRUNK CARPET	364
SEAT COVER	365
DASH BOARD	366
CENTER CONSOLE	367
DOOR TRIM PANELS	368
TYPE PLATES	369
ENGINE	370
V-BELTS	370
ENGINE GASKEKTS	371

HEAD SET	371
FULL SET	372
GASKETS ENGINE	373
CRANKSHAFT SEALS	374
REINZ UNIVERSAL	375
COOLING SYSTEM	376
THERMOSTAT	376
WATERPUMP	377
RADIATOR	378
RADIATOR HOSES	379
FUEL SYSTEM	380
ENGINEMOUNT	381
VALVE GEAR	382
PISTONS/BEARINGS	383
EXHAUST SYSTEM	384
FILTER	385
DRIVETRAIN	386
GEARBOX	386
GEARBOX MOUNT	386
CLUTCH	387
CLUTCH ACTUATION	388
PROP SHAFT	389
DIFFERENTIAL	390
SUSPENSION	391
SPRINGS	391
SHOCK ABSORBER	392
ATTACHMENT FRONT	393
ATTACHMENT REAR	394
STABILIZER FRONT	395
STABILIZER REAR	396
WHEEL BEARING SET	397
WHEELS	398
BRAKE SYSTEM	399
BRAKE DISCS	399
CALIPER FRONT	400
CALIPER REAR	401
BRAKE PADS	402
BRAKE SERVO/BRAKE MASTER CYLINDER	403
BRAKE HOSES/BRAKE VALVE	404
HANDBRAKE	405
ELECTRIC	406
IGNITION	406
STARTER/ALTERNATOR	407
SWITCHES	408
SENSOR	409
INSTALLATION MATERIAL	410
Kontrollleuchten	411

WIRING HARNESS	412
STEERING	413
WIPER	414
MISCELLANEOUS	415
JACK	415
CAR COVER	416
BATTERY CHARGERS	417
FENDER PROTECTOR	418
STEERING	419
WIPER	420
MISCELLANEOUS	421
JACK	421
CAR COVER	422
BATTERY CHARGERS	423
FENDER PROTECTOR	424

# Beleuchtung/Lighting Giulietta (116)

**1.** 151 551  
rechts/right

**2.** 151 552  
links/left



**3.** 154 12183  
rechts/right

**4.** 154 12184  
links/left



**5.** 152 340  
links/rechts/  
left/right

**6.** 153 12398  
rechts/right

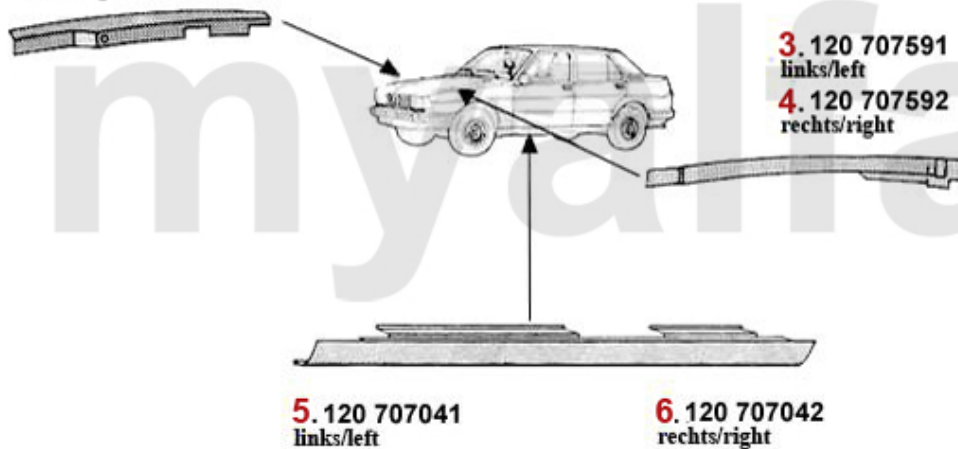
**7.** 153 12399  
links/left



<b>3</b>	<b>15412183</b>	<b>INDICATOR LENSE RIGHT, GIULIETTA (116)</b>	<b>On request</b>
<b>4</b>	<b>15412184</b>	<b>INDICATOR LENSE LEFT, GIULIETTA (116)</b>	<b>On request</b>
<b>5</b>	<b>152340</b>	<b>Nebelscheinwerfer li/re Arna Sud Sp rint, Giulietta</b>	<b>On request</b>
<b>6</b>	<b>15312398</b>	<b>Rückleuchte rechts Giulietta</b>	<b>On request</b>
<b>7</b>	<b>15312399</b>	<b>Rückleuchte links Giulietta</b>	<b>On request</b>

# Reparaturbleche/Repairpanels Giulietta (116)

- 1.** 120 707491  
links/left
- 2.** 120 707492  
rechts/right



**1** 12007491 LEFT FENDER PANEL GIULIETTA (116)

*On request*

**2** 12007492 RIGHT FENDER PANEL GIULIETTA (116)

*On request*

# Car Cover Giulietta (116)

**1. 911 108 0**  
blau/blue

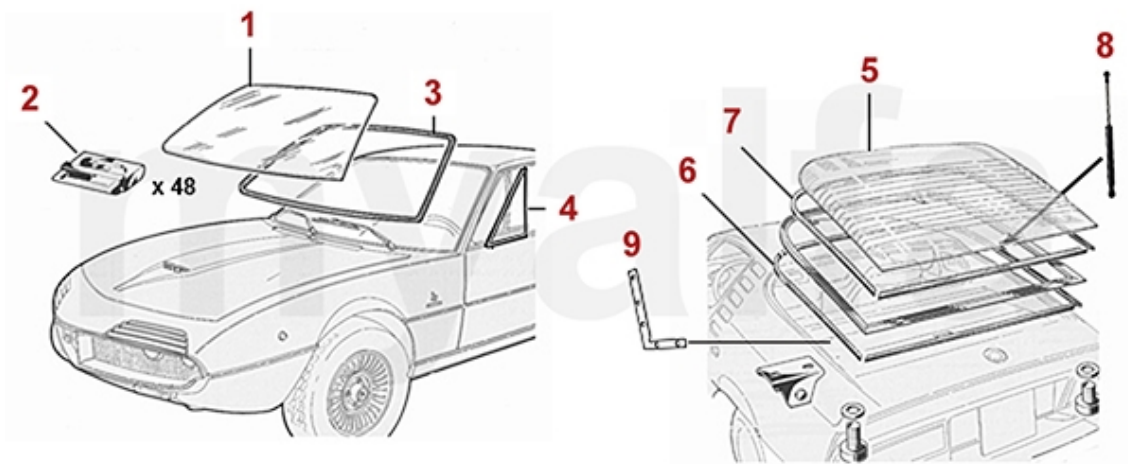
**2. 911 274 0**  
rot/red



**1 9111080 CAR COVER ECOLINE GIULIA, RED**

**SEK687.92**

# Verglasung/Glazing Montreal



<b>1</b>	<b>1346460</b>	<b>FRONT SCREEN MONTREAL GREEN</b>	<b>SEK6,984.12</b>
<b>2</b>	<b>1630010</b>	<b>FRONT SCREEN CHROME TRIM RETAINING CLIP MONTREAL</b>	<b>SEK69.93</b>
<b>3</b>	<b>1616470</b>	<b>FRONT SCREEN RUBBER SEAL MONTREAL</b>	<b>SEK5,001.94</b>
<b>4</b>	<b>1610501</b>	<b>SEAL FOR QUARTERLIGHT MONTREAL LEFT SIDE</b>	<b>SEK3,672.85</b>
<b>4</b>	<b>1610502</b>	<b>SEAL FOR QUARTERLIGHT MONTREAL RIGHT SIDE</b>	<b>SEK3,672.85</b>
<b>5</b>	<b>1346470</b>	<b>REAR SCREEN MONTREAL GREEN</b>	<b>SEK11,426.48</b>
<b>6</b>	<b>1613080</b>	<b>REAR SCREEN SEAL MONTREAL AT THE BODY</b>	<b>SEK3,719.47</b>
<b>7</b>	<b>1613070</b>	<b>REAR SCREEN SEAL MONTREAL AT THE REAR SCREEN</b>	<b>SEK3,019.89</b>
<b>8</b>	<b>1186450</b>	<b>SET REAR HATCH STRUTS MONTREAL</b>	<b>SEK2,040.46</b>
<b>9</b>	<b>1330110</b>	<b>MOUNTING BRACKETS SET FOR REAR WINDOW FRAME MONTREAL</b>	<b>SEK347.43</b>



# Außenspiegel/Mirror Montreal

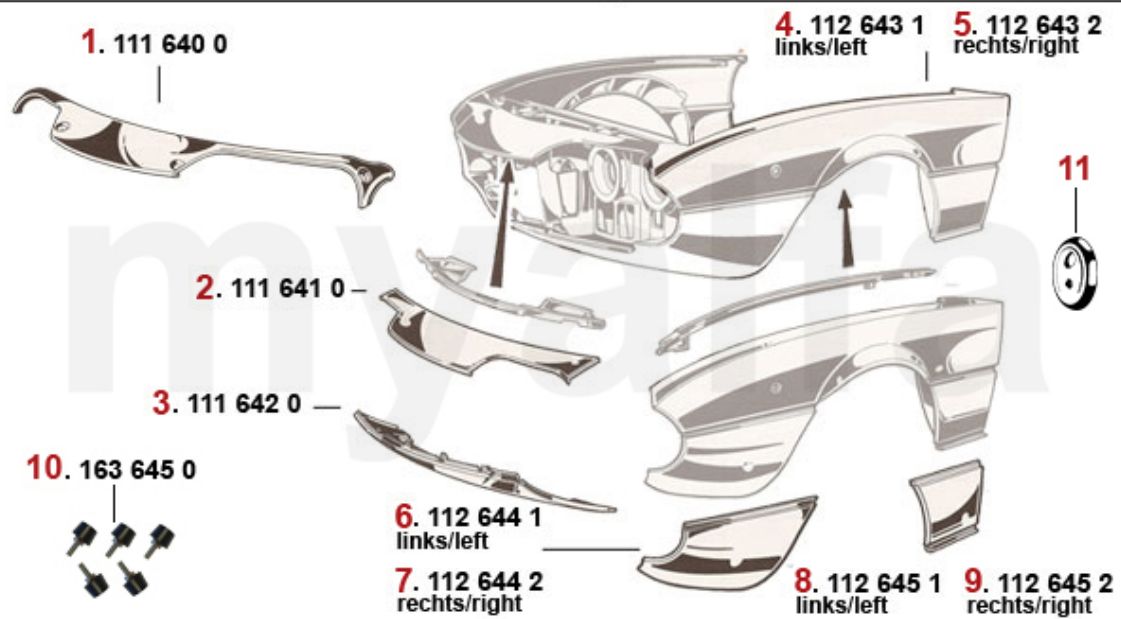
---



<b>1</b>	<b>1400170</b>	<b>DOOR MIRROR CHROME ROUND ALFA BADGE INCLUDING RUBBER PAD</b>	<b>SEK571.37</b>
<b>2</b>	<b>1631700</b>	<b>RUBBER PAD ROUND DOOR MIRROR</b>	<b>SEK73.40</b>

1	1516410	OUTER HEADLIGHT H1 CARELLO WITHOUT PARKING LIGHT (136mm) MONTREAL / ZAGATO JUNIOR	SEK884.95
1	1516400	OUTER HEADLIGHT H1 CARELLO WITH PARKING LIGHT (136mm) MONTREAL/ZAGATO JUNIOR	SEK884.95
2	1516420	INNER HEADLIGHT H1 CARELLO (136mm) 102/106 SPRINT, BERLINA, 106 SPIDER / MONTREAL / ZAGATO JUNIOR	SEK815.02
3	1590101	VACUUM CAN BONALDI HEADLIGHT COVER MONTREAL LEFT NEW	SEK4,547.25
3	1590102	VACUUM CAN BONALDI HEADLIGHT COVER MONTREAL RIGHT NEW	SEK4,547.25
4	1546420	INDICATOR MONTREAL WHITE FRONT	On request
5	1550510	INDICATOR REPEATOR GT BERTONE / SPIDER ROUND	SEK220.34
6	1570140	LIGHT UNDER BONNET/TRUNK/ GLOVE BOX	SEK197.03
7	1586450	SET REAR LIGHT LENSES MONTREAL MONTREAL CARELLO 6 PIECES	SEK5,771.58
8	1596460	REAR LIGHT GLASS SEALS (SET) MONTREAL	SEK577.20
9	1596450	SET REAR LIGHT SEALS MONTREAL	SEK849.98

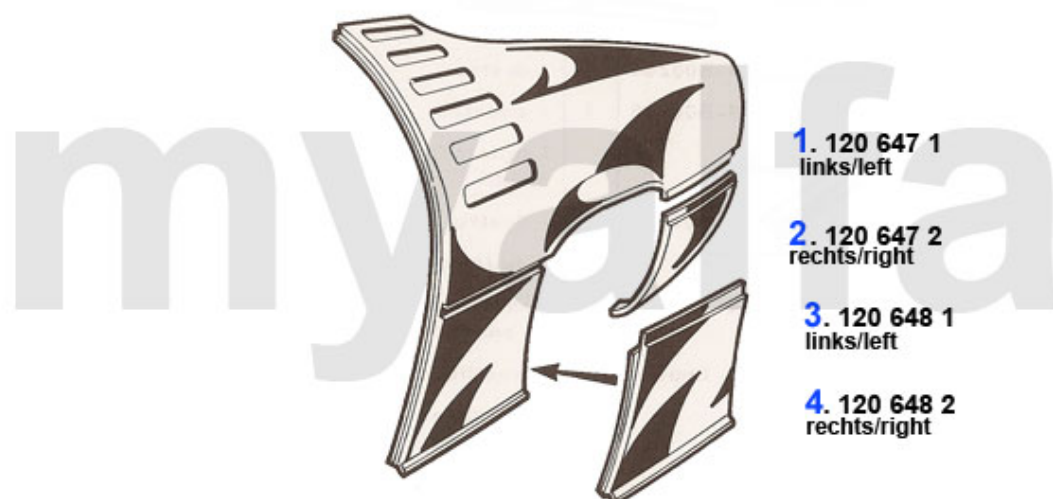
# Karosserieteile vorne/Body Parts front Montreal



<b>1</b>	<b>1116400</b>	<b>INNER SUPPORT PANEL FOR FRONT PANEL MONTREAL</b>	<b>On request</b>
<b>2</b>	<b>1116410</b>	<b>UPPER FRONT PANEL MONTREAL</b>	<b>SEK8,919.68</b>
<b>3</b>	<b>1116420</b>	<b>FRONT VALANCE MONTREAL</b>	<b>SEK9,909.53</b>
<b>4</b>	<b>1126431</b>	<b>UPPER FRONT WING SECTION MONTREAL LEFT</b>	<b>On request</b>
<b>5</b>	<b>1126432</b>	<b>UPPER FRONT WING SECTION MONTREAL RIGHT</b>	<b>On request</b>
<b>6</b>	<b>1126441</b>	<b>LOWER FRONT WING SECTION MONTREAL FRONT LEFT</b>	<b>SEK5,001.94</b>
<b>7</b>	<b>1126442</b>	<b>LOWER FRONT WING SECTION MONTREAL FRONT RIGHT</b>	<b>SEK5,001.94</b>
<b>8</b>	<b>1126451</b>	<b>LOWER FRONT WING SECTION MONTREAL REAR LEFT</b>	<b>SEK4,419.05</b>
<b>9</b>	<b>1126452</b>	<b>LOWER FRONT WING SECTION MONTREAL REAR RIGHT</b>	<b>SEK4,419.05</b>
<b>10</b>	<b>1636450</b>	<b>SET BONNET STOPS MONTREAL 4 PIECES</b>	<b>SEK1,504.05</b>
<b>11</b>	<b>1631450</b>	<b>OVAL GROMMET FOR HARNESS MONTREAL, 2 HOLES</b>	<b>SEK134.03</b>

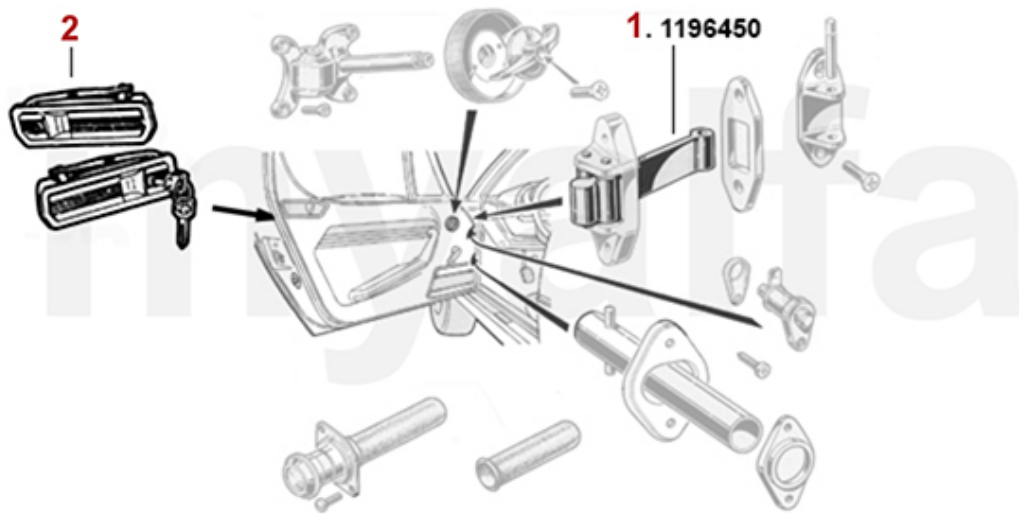
1	1166461	OUTER SILL MONTREAL LEFT	SEK4,616.07
1	1166462	OUTER SILL MONTREAL RIGHT	SEK4,616.07
2	1166451	MIDDLE SILL MONTREAL LEFT	SEK3,019.89
2	1166452	MIDDLE SILL MONTREAL RIGHT	SEK3,019.89
3	1166471	TOP SILL PANEL MONTREAL LEFT	SEK2,670.11
3	1166472	TOP SILL PANEL MONTREAL RIGHT	SEK2,670.11
4	1196441	LEFT OUTER SILL TRIM MONTREAL	SEK5,072.01
4	1196442	RIGHT OUTER SILL TRIM MONTREAL	SEK5,072.01

## Karosserieteile hinten/Body Parts rear Montreal



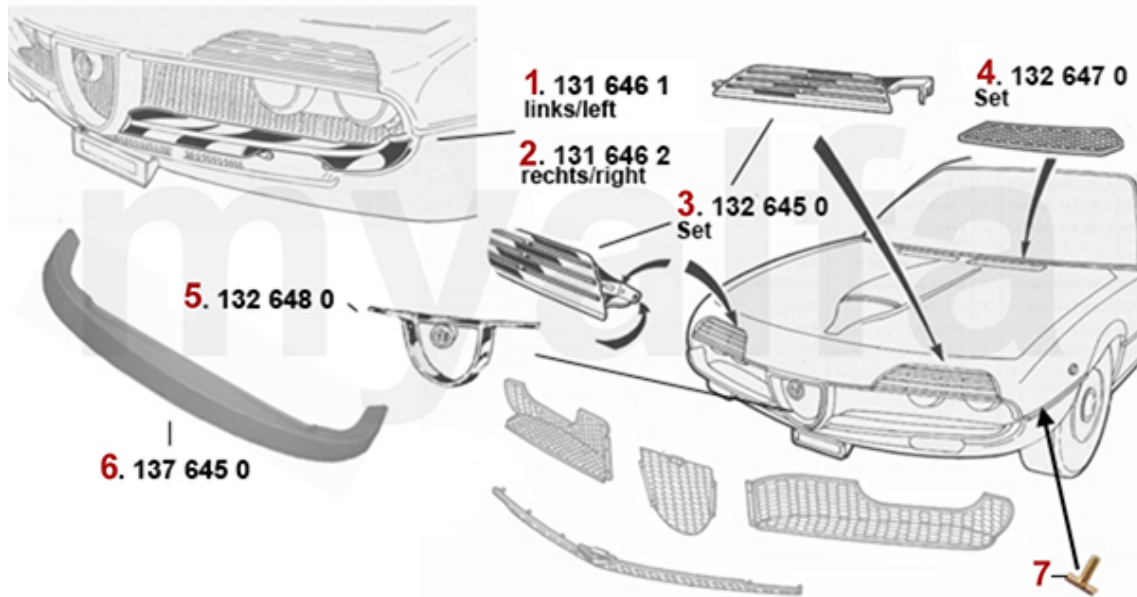
<b>1</b>	<b>1206471</b>	<b>REPAIR PANEL REAR WING MONTREAL REAR LEFT</b>	<b>SEK5,001.94</b>
<b>2</b>	<b>1206472</b>	<b>REPAIR PANEL REAR WING REAR RIGHT</b>	<b>SEK5,001.94</b>
<b>3</b>	<b>1206481</b>	<b>REPAIR PANEL REAR WING FRONT LEFT</b>	<b>SEK4,535.60</b>
<b>4</b>	<b>1206482</b>	<b>REPAIR PANEL REAR WING FRONT RIGHT</b>	<b>SEK4,535.60</b>

# Türmechanik/Door Mechanical Montreal



<b>1</b>	<b>1196450</b>	<b>DOOR RETAINING STRAP MONTREAL (SET FOR 1 SIDE)</b>	<b>SEK1,048.26</b>
<b>2</b>	<b>1176470</b>	<b>SET (2) OUTER DOOR HANDELS 116 GT/GTV, MONTREAL</b>	<b>SEK4,185.81</b>

# Stoßstangen/Bumpers Montreal



<b>1</b>	<b>1316461</b>	<b>BUMPER MONTREAL FRONT LEFT</b>	<b>On request</b>
<b>2</b>	<b>1316462</b>	<b>BUMPER MONTREAL FRONT RIGHT</b>	<b>On request</b>
<b>3</b>	<b>1326450</b>	<b>SET HEADLIGHT COVERS MONTREAL</b>	<b>SEK11,543.03</b>
<b>4</b>	<b>1326470</b>	<b>SET SCUTTLE GRIDS MONTREAL</b>	<b>SEK2,903.21</b>
<b>5</b>	<b>1326480</b>	<b>CENTER HEART MONTREAL</b>	<b>On request</b>
<b>6</b>	<b>1376450</b>	<b>FRONT SPOILER MONTREAL</b>	<b>SEK2,670.11</b>
<b>7</b>	<b>1330030</b>	<b>CLIP FOR TRIM MONTREAL</b>	<b>SEK22.20</b>

# Schriftzüge-Embleme/Lettering Montreal

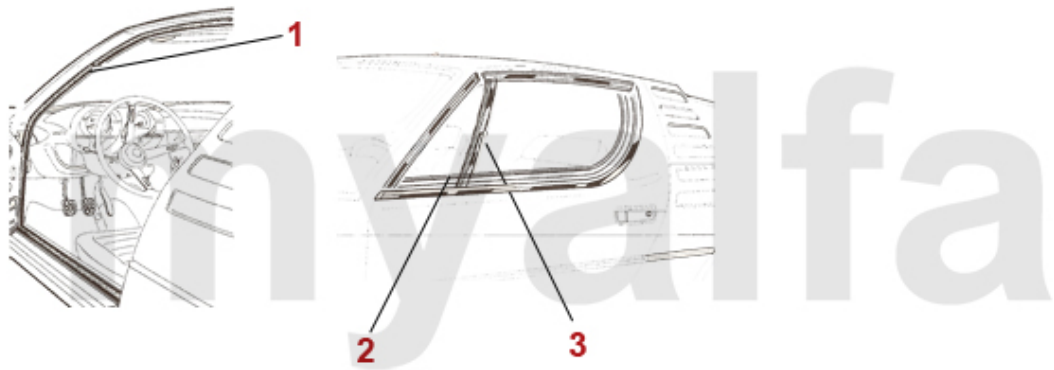


<b>1</b>	<b>1360010</b>	<b>BADGE 55 mm Alfa Romeo</b>	<b>SEK349.23</b>
<b>2</b>	<b>1360020</b>	<b>BADGE 55 mm Alfa Romeo MILANO</b>	<b>SEK349.23</b>
<b>3</b>	<b>1360030</b>	<b>BADGE 55mm "ALFA ROMEO MILANO" ENAMEL</b>	<b>SEK465.78</b>
<b>4</b>	<b>1360500</b>	<b>BADGE ALUMINIUM WHEEL BLACK / SILVER BACKGROUND 48 mm</b>	<b>SEK92.13</b>
<b>5</b>	<b>1360510</b>	<b>CIRCLIP BADGE ALUMINIUM WHEEL 48 mm</b>	<b>SEK43.15</b>
<b>6</b>	<b>1366450</b>	<b>BASE FOR REAR BADGE MONTREAL</b>	<b>SEK991.09</b>
<b>7</b>	<b>1366460</b>	<b>BADGE "b" BERTONE MONTREAL INCLUDING RUBBER PAD</b>	<b>SEK991.09</b>
<b>8</b>	<b>1366470</b>	<b>BADGE "Torino" MONTREAL ENAMEL</b>	<b>SEK687.92</b>
<b>9</b>	<b>1360300</b>	<b>SCRIPT "ALFA ROMEO" MONTREAL</b>	<b>SEK2,670.11</b>

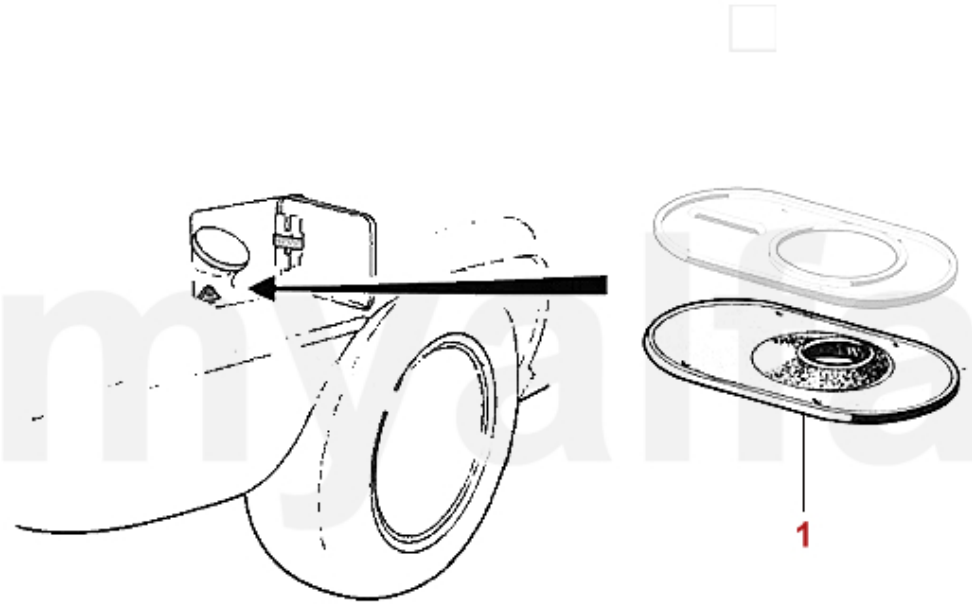


# Dichtgummis/Rubber Gaskets Montreal

---



<b>1</b>	<b>1616500</b>	<b>SET DOOR SEALS MONTREAL</b>	<b>SEK1,865.49</b>
<b>2</b>	<b>1616510</b>	<b>SET HORIZONTAL WEATHER STRIPS MONTREAL</b>	<b>SEK961.95</b>
<b>3</b>	<b>1616450</b>	<b>SET DOOR GLASS CHANNEL SEALS MONTREAL</b>	<b>SEK926.99</b>



**1** 1630050 OE. 105645225201 GROMMET MONTREAL

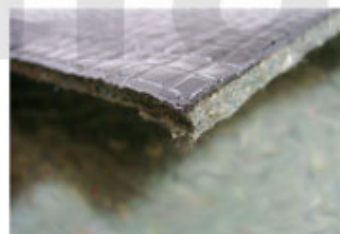
**SEK1,040.63**

# Dämmmatten/Insulating Mats

---



1. 970 235 0  
50X100 cm



1 9702350 INSULATING MAT ORIGINAL MATERIAL 50 x 100 cm

SEK292.62

<b>1</b>	<b>1756460</b>	<b>HEADLINING MONTREAL CREME</b>	<b>SEK3,789.40</b>
<b>1</b>	<b>1756470</b>	<b>HEADLINING MONTREAL BLACK</b>	<b>SEK3,789.40</b>

# Teppichsatz/Carpet Set Montreal

**1. 171 641 1**  
Velours schwarz/  
velours black

**2. 171 641 2**  
Velours grau/  
velours grey

**3. 171 641 3**  
Velours hellbeige/  
velours pale beige

**4. 171 641 4**  
Velours dunkelblau/  
Velours dark blue

**5. 171 642 5**  
Feinvelours bordeaux/  
softvelours bordeaux

**6.173 645 0**  
Leder schwarz/  
leather black



**7. 176 646 0**  
Leder schwarz/  
leather black

<b>1</b>	<b>1716411</b>	<b>CARPET SET MONTREAL VELOURS BLACK</b>	<b>SEK6,820.95</b>
<b>2</b>	<b>1716412</b>	<b>CARPET SET MONTREAL VELOURS GRAY</b>	<b>SEK5,246.83</b>
<b>3</b>	<b>1716413</b>	<b>CARPET SET MONTREAL VELOURS LIGHT BEIGE</b>	<b>SEK5,934.75</b>
<b>4</b>	<b>1716414</b>	<b>CARPET SET MONTREAL VELOURS DARK BLUE</b>	<b>SEK6,237.92</b>
<b>5</b>	<b>1716425</b>	<b>CARPET SET MONTREAL VELOURS BORDEAUX</b>	<b>SEK5,934.75</b>
<b>6</b>	<b>1736450</b>	<b>GEAR LEVER GAITER MONTREAL LEATHER BLACK</b>	<b>SEK698.47</b>
<b>6</b>	<b>1736460</b>	<b>GEAR LEVER GAITER MONTREAL LEATHER BEIGE</b>	<b>SEK698.47</b>
<b>7</b>	<b>1766460</b>	<b>HANDBRAKE GAITER MONTREAL LEATHER BLACK</b>	<b>SEK915.33</b>
<b>7</b>	<b>1766470</b>	<b>HANDBRAKE LEVER GAITER MONTREAL SCAY BEIGE</b>	<b>SEK448.86</b>



**1 1722780 SET FLOOR MATS MONTREAL VELOURS BLACK**

**SEK1,107.64**

<b>1</b>	<b>1716430</b>	<b>BOOT CARPET SET MONTREAL VELOURS BLACK</b>	<b>SEK3,952.57</b>
<b>1</b>	<b>1716450</b>	<b>TRUNK CARPET SET MONTREAL VELOURS BLUE 129</b>	<b>SEK5,001.94</b>
<b>1</b>	<b>1716460</b>	<b>TRUNK CARPET SET MONTREAL VELOURS BORDEAUX 158</b>	<b>SEK3,719.47</b>
<b>1</b>	<b>1716470</b>	<b>TRUNK CARPET SET MONTREAL VELOURS GREY 126</b>	<b>SEK3,719.47</b>
<b>1</b>	<b>1716480</b>	<b>TRUNK CARPET SET MONTREAL VELOURS BRIGHT BEIGE 118</b>	<b>SEK4,139.19</b>

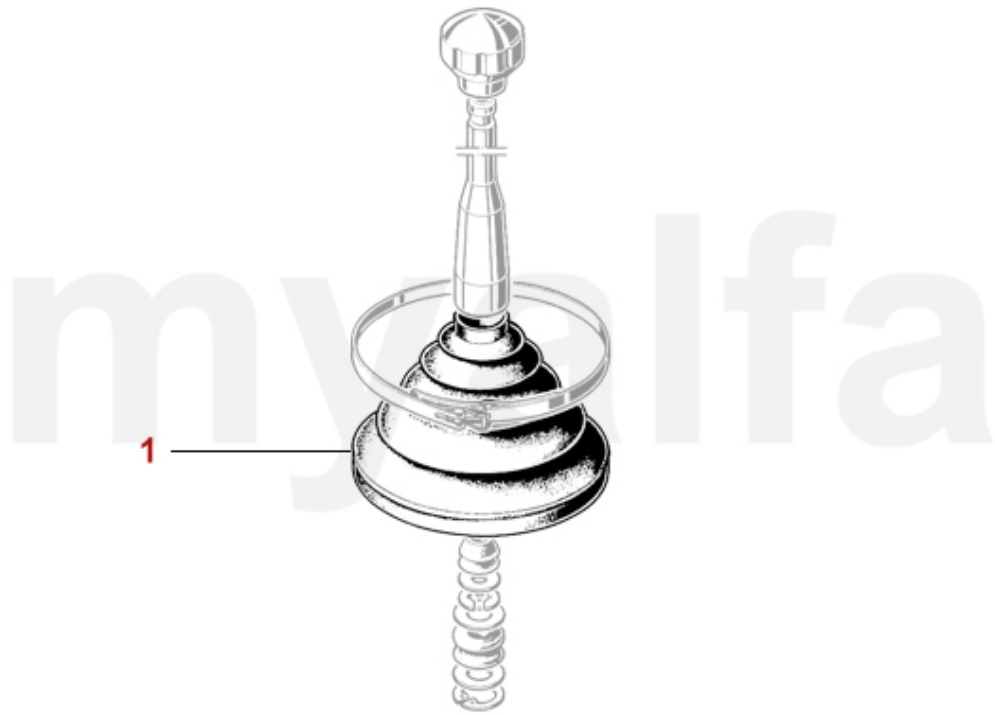
# Sitzbezüge/Seat Cover Montreal



<b>1</b>	<b>1706410</b>	<b>SEAT COVER MONTREAL FRONT VINYL SKAI BLACK</b>	<b>SEK4,197.47</b>
<b>1</b>	<b>1706420</b>	<b>SEAT COVER MONTREAL FRONT VINYL SKAI BLACK / CLOTH GRAY</b>	<b>SEK4,768.84</b>
<b>1</b>	<b>1706430</b>	<b>SEAT COVER MONTREAL FRONT LEATHER BLACK</b>	<b>SEK20,509.33</b>
<b>1</b>	<b>1706440</b>	<b>SEAT COVER MONTREAL FRONT VINYL SKAI BLACK / CLOTH BLACK</b>	<b>SEK4,768.84</b>
<b>1</b>	<b>1706450</b>	<b>FRONT SEAT COVER MONTREAL LEATHER/FABRIC BLUE 889+666</b>	<b>SEK22,095.11</b>
<b>1</b>	<b>1706460</b>	<b>FRONT SEAT COVER MONTREAL LEATHER/FABRIC BLACK</b>	<b>SEK8,103.56</b>
<b>2</b>	<b>1760110</b>	<b>SET COVERS FOR HEADREST ADJUSTMENT MONTREAL</b>	<b>SEK921.16</b>
<b>3</b>	<b>1760100</b>	<b>SET SEATBELT GUIDES MONTREAL</b>	<b>SEK523.50</b>

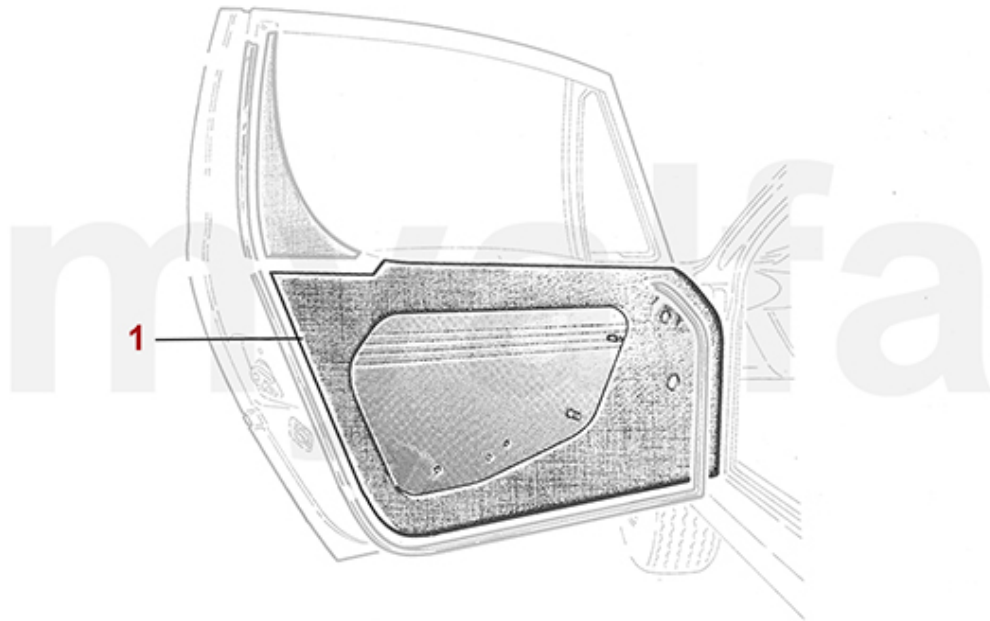


<b>1</b>	<b>1781430</b>	<b>SET HORN BUTTON SURROUND 53 mm, HELLEBORE, 3 PIECES</b>	<b>SEK173.72</b>
<b>2</b>	<b>1731390</b>	<b>HEATER FASCIA PANEL CHROME GT BERTONE</b>	<b>On request</b>
<b>3</b>	<b>1736410</b>	<b>UPPER FASCIA CONSOLE MONTREAL</b>	<b>SEK2,553.42</b>
<b>4</b>	<b>1736420</b>	<b>FACIA GEAR CONSOLE MONTREAL</b>	<b>SEK3,019.89</b>
<b>5</b>	<b>1736430</b>	<b>RADIO BLANKING PLATE MONTREAL</b>	<b>On request</b>
<b>6</b>	<b>1781050</b>	<b>SHIFT KNOB WOOD MAHOGANY RED WITH BIG BADGE</b>	<b>On request</b>
<b>7</b>	<b>1780630</b>	<b>SHIFT KNOB WOOD WITH SMALL BADGE</b>	<b>On request</b>
<b>8</b>	<b>1780140</b>	<b>GEAR-SHIFT KNOB - wood ERGONOMIC without emblem</b>	<b>On request</b>



**1 4130080 GEARSTICK GAITER MONTREAL**

**SEK1,040.63**

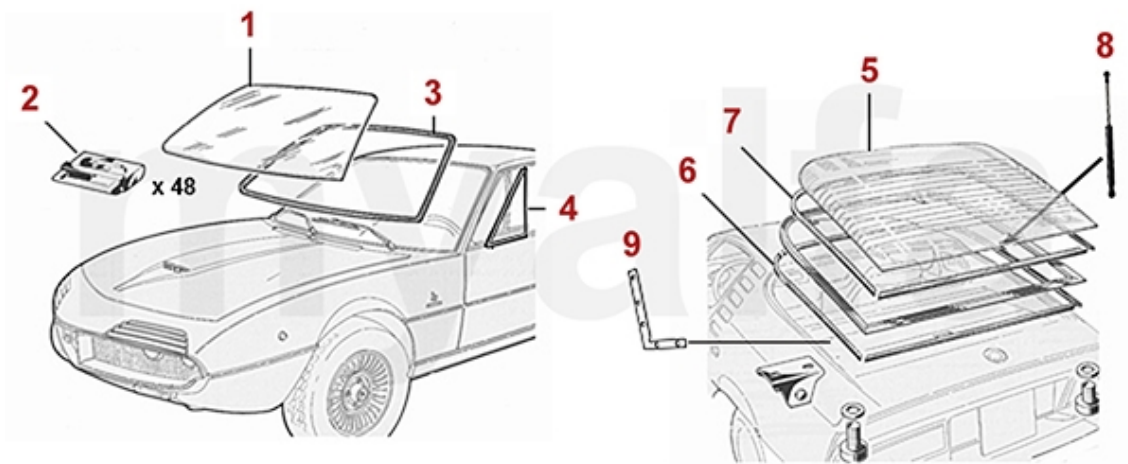


**1 1745460 SET INNER DOOR TRIM PANELS MONTREAL BLACK**

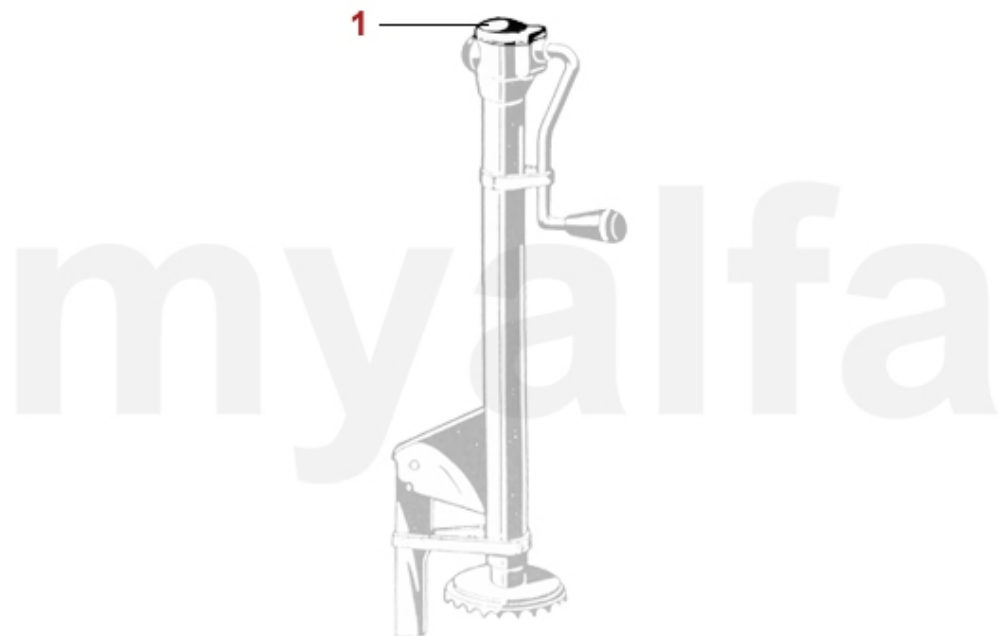
**SEK16,894.89**

<b>1</b>	<b>9300580</b>	<b>BODY VIN PLATE (BLANK)</b>	<b>SEK250.72</b>
<b>1</b>	<b>9300590</b>	<b>BODY TYPE PLATE MONTREAL, 105.64</b>	<b>SEK250.72</b>

# Verglasung/Glazing Montreal



<b>1</b>	<b>1346460</b>	<b>FRONT SCREEN MONTREAL GREEN</b>	<b>SEK6,984.12</b>
<b>2</b>	<b>1630010</b>	<b>FRONT SCREEN CHROME TRIM RETAINING CLIP MONTREAL</b>	<b>SEK69.93</b>
<b>3</b>	<b>1616470</b>	<b>FRONT SCREEN RUBBER SEAL MONTREAL</b>	<b>SEK5,001.94</b>
<b>4</b>	<b>1610501</b>	<b>SEAL FOR QUARTERLIGHT MONTREAL LEFT SIDE</b>	<b>SEK3,672.85</b>
<b>4</b>	<b>1610502</b>	<b>SEAL FOR QUARTERLIGHT MONTREAL RIGHT SIDE</b>	<b>SEK3,672.85</b>
<b>5</b>	<b>1346470</b>	<b>REAR SCREEN MONTREAL GREEN</b>	<b>SEK11,426.48</b>
<b>6</b>	<b>1613080</b>	<b>REAR SCREEN SEAL MONTREAL AT THE BODY</b>	<b>SEK3,719.47</b>
<b>7</b>	<b>1613070</b>	<b>REAR SCREEN SEAL MONTREAL AT THE REAR SCREEN</b>	<b>SEK3,019.89</b>
<b>8</b>	<b>1186450</b>	<b>SET REAR HATCH STRUTS MONTREAL</b>	<b>SEK2,040.46</b>
<b>9</b>	<b>1330110</b>	<b>MOUNTING BRACKETS SET FOR REAR WINDOW FRAME MONTREAL</b>	<b>SEK347.43</b>



**1 9811050 BATTAINI CAP FOR JACK TOP ALFA ROMEO 105 SERIES**

**SEK197.58**

# Außenspiegel/Mirror Montreal

---



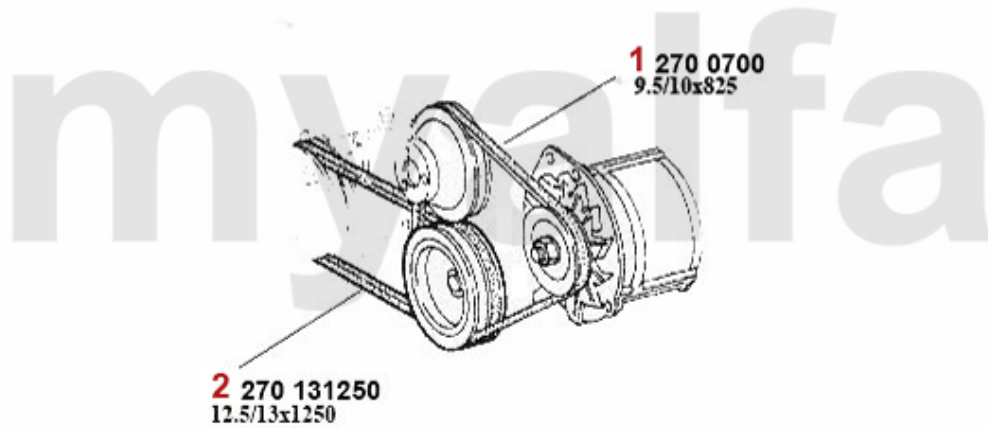
<b>1</b>	<b>1400170</b>	<b>DOOR MIRROR CHROME ROUND ALFA BADGE INCLUDING RUBBER PAD</b>	<b>SEK571.37</b>
<b>2</b>	<b>1631700</b>	<b>RUBBER PAD ROUND DOOR MIRROR</b>	<b>SEK73.40</b>

<b>1</b>	<b>8146450</b>	<b>SET IGNITION MODULES MONTREAL WITH IGNITION COIL</b>	<b>On request</b>
<b>2</b>	<b>8156450</b>	<b>POINTS MARELLI 4 SPRINGS SHORT CABLE</b>	<b>SEK1,270.95</b>
<b>3</b>	<b>816100</b>	<b>ROTOR MONTREAL / FERRARI 308</b>	<b>SEK1,270.95</b>
<b>3</b>	<b>8171440</b>	<b>DISTRIBUTOR CAP MONTREAL / FERRARI 308</b>	<b>SEK2,670.11</b>
<b>4</b>	<b>8186450</b>	<b>HT LEADS MONTREAL</b>	<b>SEK1,980.93</b>
<b>5</b>	<b>BA2HL</b>	<b>SPARK PLUG "myalfa" 2HL</b>	<b>SEK103.79</b>
<b>5</b>	<b>BP7ES</b>	<b>OE. 60512929 SPARK PLUG NGK BP7ES</b>	<b>SEK57.17</b>
<b>6</b>	<b>8186430</b>	<b>SET HAT LEAD CLAMPS MONTREAL</b>	<b>SEK921.16</b>
<b>7</b>	<b>8151500</b>	<b>CONDENSER MARELLI MONTREAL / GTA / FERRARI</b>	<b>SEK215.76</b>



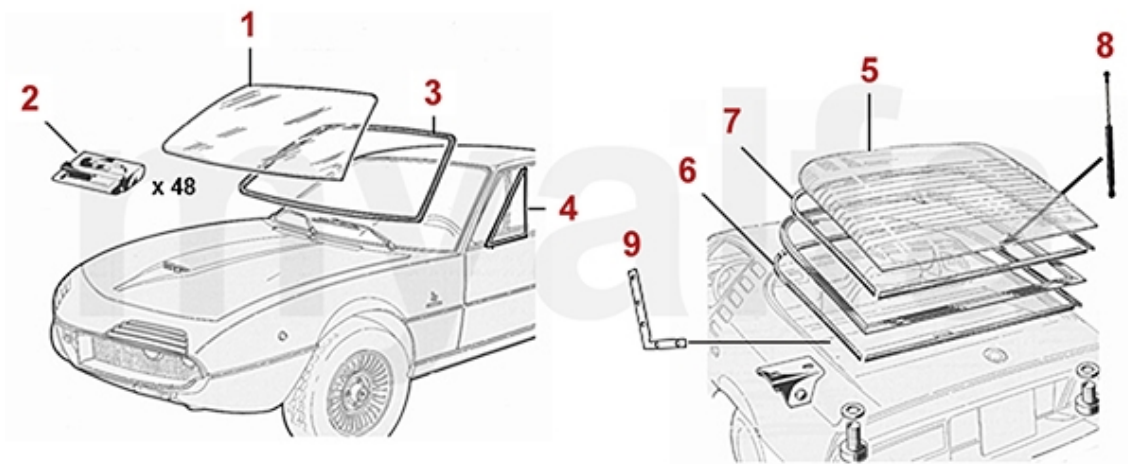
# Keilriemen/V-Belt Giulietta

---



<b>1</b>	<b>2700700</b>	<b>V-BELT 9.5x825</b>	<b>SEK103.79</b>
<b>2</b>	<b>27031250</b>	<b>V-BELT 12.5x1250 ALFETTA, GIULIETTA,GTV (116) 4-CYLINDERCLIMATE COMPESSOR</b>	<b>SEK244.89</b>

# Verglasung/Glazing Montreal



<b>1</b>	<b>1346460</b>	<b>FRONT SCREEN MONTREAL GREEN</b>	<b>SEK6,984.12</b>
<b>2</b>	<b>1630010</b>	<b>FRONT SCREEN CHROME TRIM RETAINING CLIP MONTREAL</b>	<b>SEK69.93</b>
<b>3</b>	<b>1616470</b>	<b>FRONT SCREEN RUBBER SEAL MONTREAL</b>	<b>SEK5,001.94</b>
<b>4</b>	<b>1610501</b>	<b>SEAL FOR QUARTERLIGHT MONTREAL LEFT SIDE</b>	<b>SEK3,672.85</b>
<b>4</b>	<b>1610502</b>	<b>SEAL FOR QUARTERLIGHT MONTREAL RIGHT SIDE</b>	<b>SEK3,672.85</b>
<b>5</b>	<b>1346470</b>	<b>REAR SCREEN MONTREAL GREEN</b>	<b>SEK11,426.48</b>
<b>6</b>	<b>1613080</b>	<b>REAR SCREEN SEAL MONTREAL AT THE BODY</b>	<b>SEK3,719.47</b>
<b>7</b>	<b>1613070</b>	<b>REAR SCREEN SEAL MONTREAL AT THE REAR SCREEN</b>	<b>SEK3,019.89</b>
<b>8</b>	<b>1186450</b>	<b>SET REAR HATCH STRUTS MONTREAL</b>	<b>SEK2,040.46</b>
<b>9</b>	<b>1330110</b>	<b>MOUNTING BRACKETS SET FOR REAR WINDOW FRAME MONTREAL</b>	<b>SEK347.43</b>

# Außenspiegel/Mirror Montreal

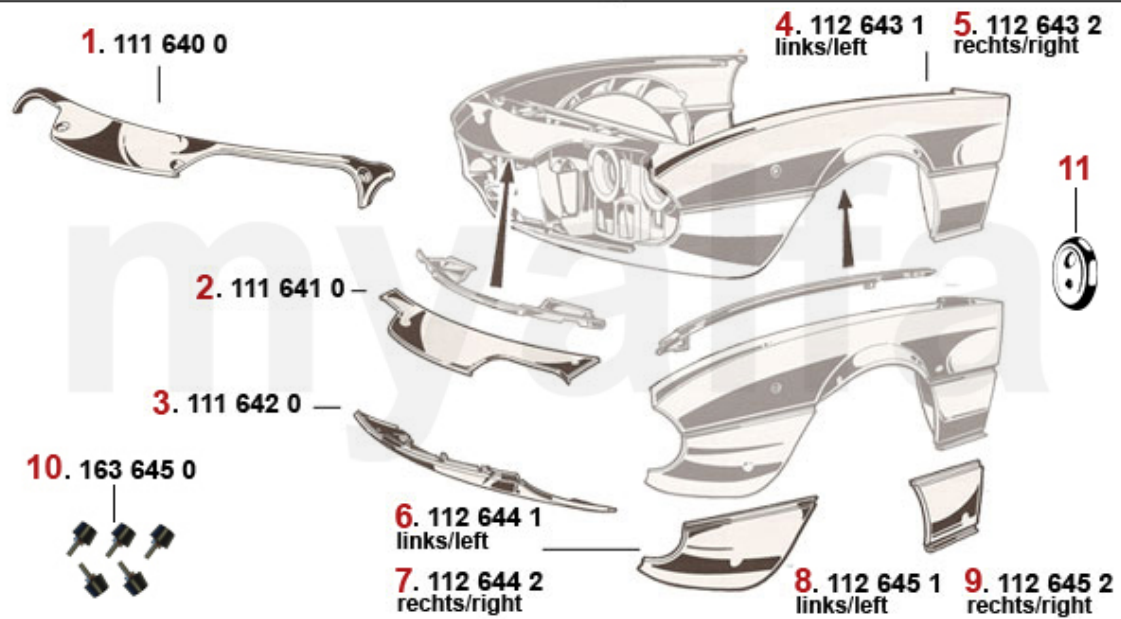
---



<b>1</b>	<b>1400170</b>	<b>DOOR MIRROR CHROME ROUND ALFA BADGE INCLUDING RUBBER PAD</b>	<b>SEK571.37</b>
<b>2</b>	<b>1631700</b>	<b>RUBBER PAD ROUND DOOR MIRROR</b>	<b>SEK73.40</b>

<b>1</b>	<b>1516410</b>	<b>OUTER HEADLIGHT H1 CARELLO WITHOUT PARKING LIGHT (136mm) MONTREAL / ZAGATO JUNIOR</b>	<b>SEK884.95</b>
<b>1</b>	<b>1516400</b>	<b>OUTER HEADLIGHT H1 CARELLO WITH PARKING LIGHT (136mm) MONTREAL/ZAGATO JUNIOR</b>	<b>SEK884.95</b>
<b>2</b>	<b>1516420</b>	<b>INNER HEADLIGHT H1 CARELLO (136mm) 102/106 SPRINT, BERLINA, 106 SPIDER / MONTREAL / ZAGATO JUNIOR</b>	<b>SEK815.02</b>
<b>3</b>	<b>1590101</b>	<b>VACUUM CAN BONALDI HEADLIGHT COVER MONTREAL LEFT NEW</b>	<b>SEK4,547.25</b>
<b>3</b>	<b>1590102</b>	<b>VACUUM CAN BONALDI HEADLIGHT COVER MONTREAL RIGHT NEW</b>	<b>SEK4,547.25</b>
<b>4</b>	<b>1546420</b>	<b>INDICATOR MONTREAL WHITE FRONT</b>	<b>On request</b>
<b>5</b>	<b>1550510</b>	<b>INDICATOR REPEATOR GT BERTONE / SPIDER ROUND</b>	<b>SEK220.34</b>
<b>6</b>	<b>1570140</b>	<b>LIGHT UNDER BONNET/TRUNK/ GLOVE BOX</b>	<b>SEK197.03</b>
<b>7</b>	<b>1586450</b>	<b>SET REAR LIGHT LENSES MONTREAL MONTREAL CARELLO 6 PIECES</b>	<b>SEK5,771.58</b>
<b>8</b>	<b>1596460</b>	<b>REAR LIGHT GLASS SEALS (SET) MONTREAL</b>	<b>SEK577.20</b>
<b>9</b>	<b>1596450</b>	<b>SET REAR LIGHT SEALS MONTREAL</b>	<b>SEK849.98</b>

# Karosserieteile vorne/Body Parts front Montreal



<b>1</b>	<b>1116400</b>	<b>INNER SUPPORT PANEL FOR FRONT PANEL MONTREAL</b>	<b>On request</b>
<b>2</b>	<b>1116410</b>	<b>UPPER FRONT PANEL MONTREAL</b>	<b>SEK8,919.68</b>
<b>3</b>	<b>1116420</b>	<b>FRONT VALANCE MONTREAL</b>	<b>SEK9,909.53</b>
<b>4</b>	<b>1126431</b>	<b>UPPER FRONT WING SECTION MONTREAL LEFT</b>	<b>On request</b>
<b>5</b>	<b>1126432</b>	<b>UPPER FRONT WING SECTION MONTREAL RIGHT</b>	<b>On request</b>
<b>6</b>	<b>1126441</b>	<b>LOWER FRONT WING SECTION MONTREAL FRONT LEFT</b>	<b>SEK5,001.94</b>
<b>7</b>	<b>1126442</b>	<b>LOWER FRONT WING SECTION MONTREAL FRONT RIGHT</b>	<b>SEK5,001.94</b>
<b>8</b>	<b>1126451</b>	<b>LOWER FRONT WING SECTION MONTREAL REAR LEFT</b>	<b>SEK4,419.05</b>
<b>9</b>	<b>1126452</b>	<b>LOWER FRONT WING SECTION MONTREAL REAR RIGHT</b>	<b>SEK4,419.05</b>
<b>10</b>	<b>1636450</b>	<b>SET BONNET STOPS MONTREAL 4 PIECES</b>	<b>SEK1,504.05</b>
<b>11</b>	<b>1631450</b>	<b>OVAL GROMMET FOR HARNESS MONTREAL, 2 HOLES</b>	<b>SEK134.03</b>

<b>1</b>	<b>1166461</b>	<b>OUTER SILL MONTREAL LEFT</b>	<b>SEK4,616.07</b>
<b>1</b>	<b>1166462</b>	<b>OUTER SILL MONTREAL RIGHT</b>	<b>SEK4,616.07</b>
<b>2</b>	<b>1166451</b>	<b>MIDDLE SILL MONTREAL LEFT</b>	<b>SEK3,019.89</b>
<b>2</b>	<b>1166452</b>	<b>MIDDLE SILL MONTREAL RIGHT</b>	<b>SEK3,019.89</b>
<b>3</b>	<b>1166471</b>	<b>TOP SILL PANEL MONTREAL LEFT</b>	<b>SEK2,670.11</b>
<b>3</b>	<b>1166472</b>	<b>TOP SILL PANEL MONTREAL RIGHT</b>	<b>SEK2,670.11</b>
<b>4</b>	<b>1196441</b>	<b>LEFT OUTER SILL TRIM MONTREAL</b>	<b>SEK5,072.01</b>
<b>4</b>	<b>1196442</b>	<b>RIGHT OUTER SILL TRIM MONTREAL</b>	<b>SEK5,072.01</b>

## Karosserieteile hinten/Body Parts rear Montreal



1. 120 647 1  
links/left

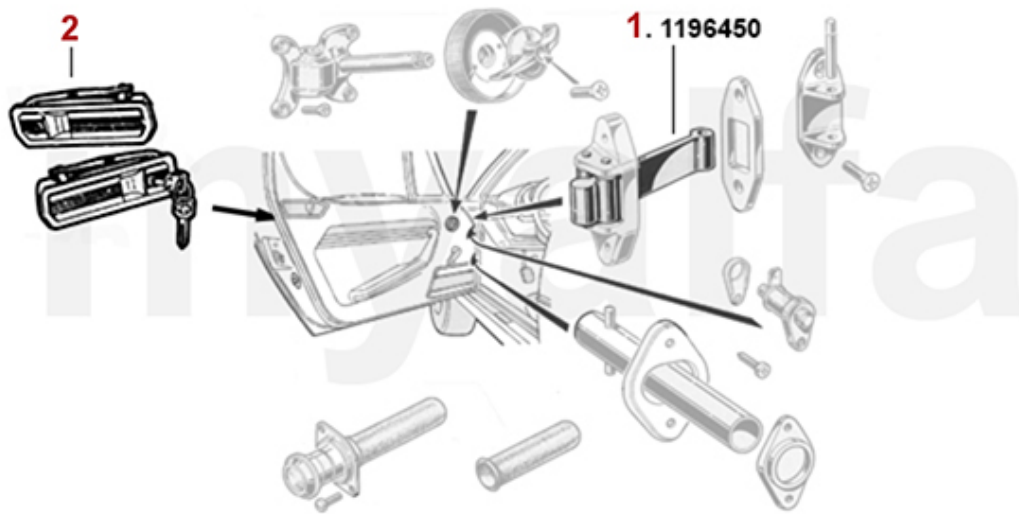
2. 120 647 2  
rechts/right

3. 120 648 1  
links/left

4. 120 648 2  
rechts/right

<b>1</b>	<b>1206471</b>	<b>REPAIR PANEL REAR WING MONTREAL REAR LEFT</b>	<b>SEK5,001.94</b>
<b>2</b>	<b>1206472</b>	<b>REPAIR PANEL REAR WING REAR RIGHT</b>	<b>SEK5,001.94</b>
<b>3</b>	<b>1206481</b>	<b>REPAIR PANEL REAR WING FRONT LEFT</b>	<b>SEK4,535.60</b>
<b>4</b>	<b>1206482</b>	<b>REPAIR PANEL REAR WING FRONT RIGHT</b>	<b>SEK4,535.60</b>

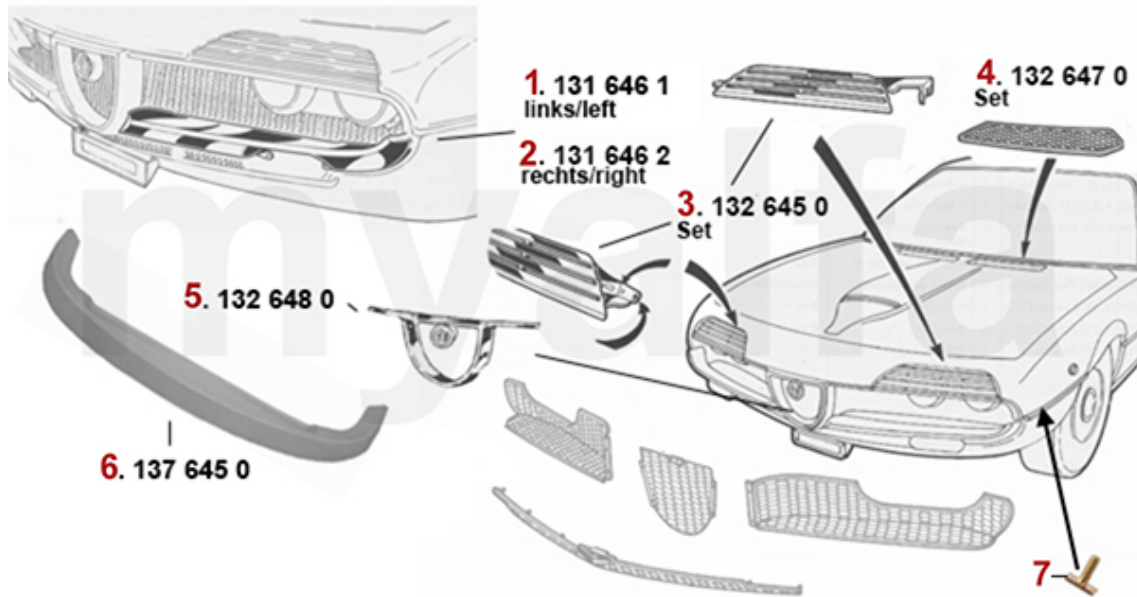
# Türmechanik/Door Mechanical Montreal



<b>1</b>	<b>1196450</b>	<b>DOOR RETAINING STRAP MONTREAL (SET FOR 1 SIDE)</b>	<b>SEK1,048.26</b>
<b>2</b>	<b>1176470</b>	<b>SET (2) OUTER DOOR HANDELS 116 GT/GTV, MONTREAL</b>	<b>SEK4,185.81</b>



# Stoßstangen/Bumpers Montreal



1	1316461	BUMPER MONTREAL FRONT LEFT	On request
2	1316462	BUMPER MONTREAL FRONT RIGHT	On request
3	1326450	SET HEADLIGHT COVERS MONTREAL	SEK11,543.03
4	1326470	SET SCUTTLE GRIDS MONTREAL	SEK2,903.21
5	1326480	CENTER HEART MONTREAL	On request
6	1376450	FRONT SPOILER MONTREAL	SEK2,670.11
7	1330030	CLIP FOR TRIM MONTREAL	SEK22.20

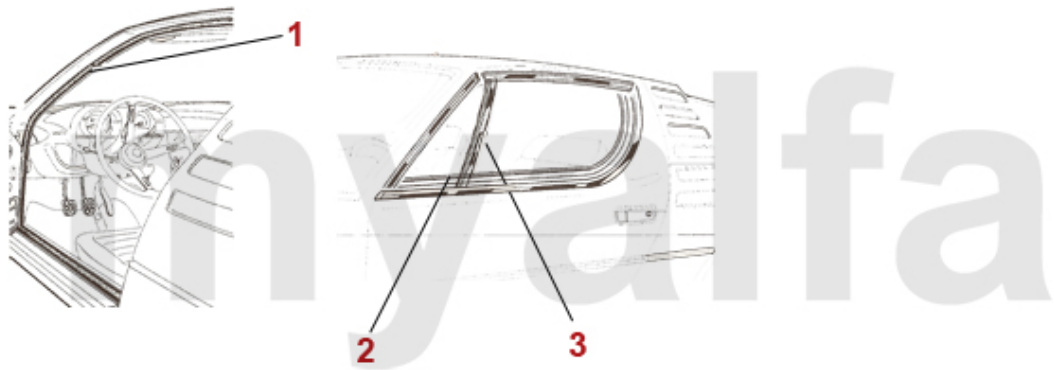
# Schriftzüge-Embleme/Lettering Montreal



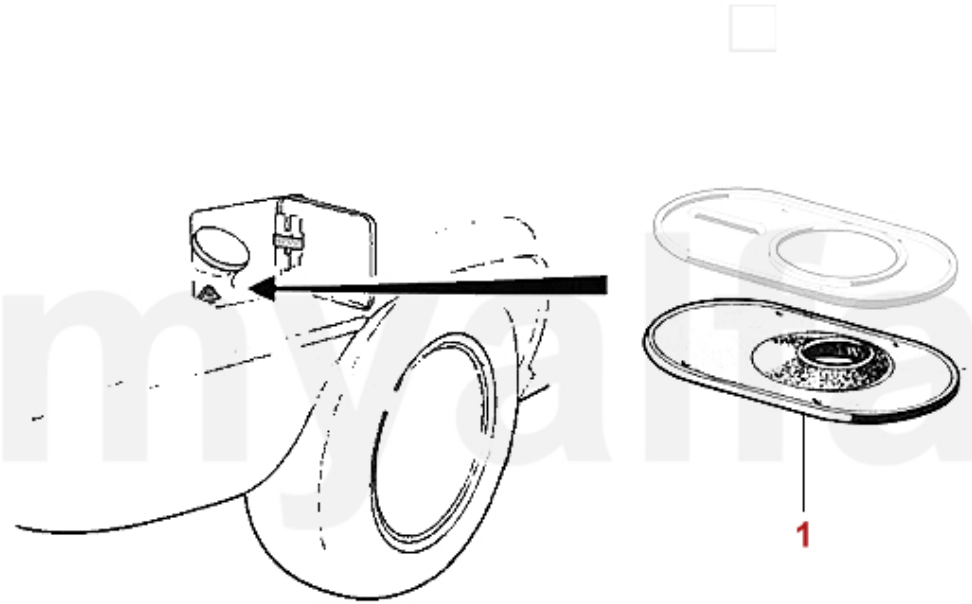
<b>1</b>	<b>1360010</b>	<b>BADGE 55 mm Alfa Romeo</b>	<b>SEK349.23</b>
<b>2</b>	<b>1360020</b>	<b>BADGE 55 mm Alfa Romeo MILANO</b>	<b>SEK349.23</b>
<b>3</b>	<b>1360030</b>	<b>BADGE 55mm "ALFA ROMEO MILANO" ENAMEL</b>	<b>SEK465.78</b>
<b>4</b>	<b>1360500</b>	<b>BADGE ALUMINIUM WHEEL BLACK / SILVER BACKGROUND 48 mm</b>	<b>SEK92.13</b>
<b>5</b>	<b>1360510</b>	<b>CIRCLIP BADGE ALUMINIUM WHEEL 48 mm</b>	<b>SEK43.15</b>
<b>6</b>	<b>1366450</b>	<b>BASE FOR REAR BADGE MONTREAL</b>	<b>SEK991.09</b>
<b>7</b>	<b>1366460</b>	<b>BADGE "b" BERTONE MONTREAL INCLUDING RUBBER PAD</b>	<b>SEK991.09</b>
<b>8</b>	<b>1366470</b>	<b>BADGE "Torino" MONTREAL ENAMEL</b>	<b>SEK687.92</b>
<b>9</b>	<b>1360300</b>	<b>SCRIPT "ALFA ROMEO" MONTREAL</b>	<b>SEK2,670.11</b>

# Dichtgummis/Rubber Gaskets Montreal

---



<b>1</b>	<b>1616500</b>	<b>SET DOOR SEALS MONTREAL</b>	<b>SEK1,865.49</b>
<b>2</b>	<b>1616510</b>	<b>SET HORIZONTAL WEATHER STRIPS MONTREAL</b>	<b>SEK961.95</b>
<b>3</b>	<b>1616450</b>	<b>SET DOOR GLASS CHANNEL SEALS MONTREAL</b>	<b>SEK926.99</b>



**1** 1630050 OE. 105645225201 GROMMET MONTREAL

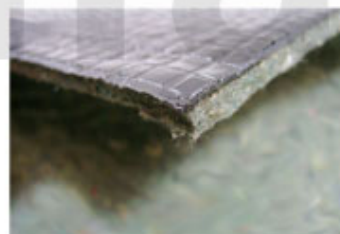
**SEK1,040.63**

# Dämmmatten/Insulating Mats

---



1. 970 235 0  
50X100 cm



**1 9702350** **INSULATING MAT ORIGINAL MATERIAL 50 x 100 cm**

**SEK292.62**

<b>1</b>	<b>1756460</b>	<b>HEADLINING MONTREAL CREME</b>	<b>SEK3,789.40</b>
<b>1</b>	<b>1756470</b>	<b>HEADLINING MONTREAL BLACK</b>	<b>SEK3,789.40</b>

# Teppichsatz/Carpet Set Montreal

**1. 171 641 1**  
Velours schwarz/  
velours black

**2. 171 641 2**  
Velours grau/  
velours grey

**3. 171 641 3**  
Velours hellbeige/  
velours pale beige

**4. 171 641 4**  
Velours dunkelblau/  
Velours dark blue

**5. 171 642 5**  
Feinvelours bordeaux/  
softvelours bordeaux

**6.173 645 0**  
Leder schwarz/  
leather black



**7. 176 646 0**  
Leder schwarz/  
leather black

<b>1</b>	<b>1716411</b>	<b>CARPET SET MONTREAL VELOURS BLACK</b>	<b>SEK6,820.95</b>
<b>2</b>	<b>1716412</b>	<b>CARPET SET MONTREAL VELOURS GRAY</b>	<b>SEK5,246.83</b>
<b>3</b>	<b>1716413</b>	<b>CARPET SET MONTREAL VELOURS LIGHT BEIGE</b>	<b>SEK5,934.75</b>
<b>4</b>	<b>1716414</b>	<b>CARPET SET MONTREAL VELOURS DARK BLUE</b>	<b>SEK6,237.92</b>
<b>5</b>	<b>1716425</b>	<b>CARPET SET MONTREAL VELOURS BORDEAUX</b>	<b>SEK5,934.75</b>
<b>6</b>	<b>1736450</b>	<b>GEAR LEVER GAITER MONTREAL LEATHER BLACK</b>	<b>SEK698.47</b>
<b>6</b>	<b>1736460</b>	<b>GEAR LEVER GAITER MONTREAL LEATHER BEIGE</b>	<b>SEK698.47</b>
<b>7</b>	<b>1766460</b>	<b>HANDBRAKE GAITER MONTREAL LEATHER BLACK</b>	<b>SEK915.33</b>
<b>7</b>	<b>1766470</b>	<b>HANDBRAKE LEVER GAITER MONTREAL SCAY BEIGE</b>	<b>SEK448.86</b>



1 1722780 SET FLOOR MATS MONTREAL VELOURS BLACK

SEK1,107.64



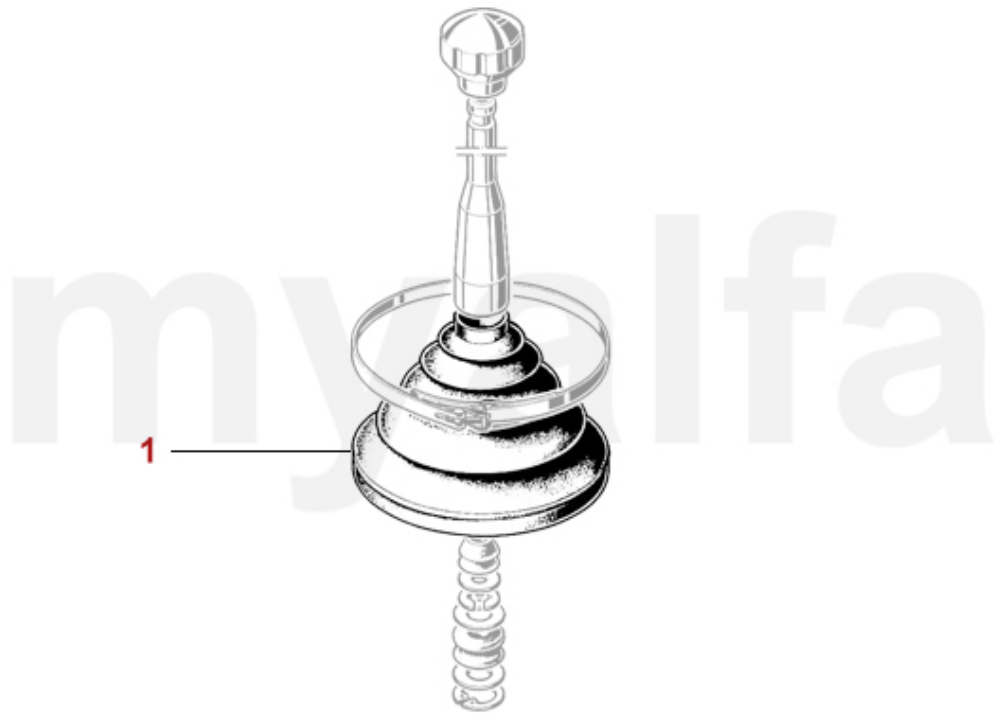
<b>1</b>	<b>1716430</b>	<b>BOOT CARPET SET MONTREAL VELOURS BLACK</b>	<b>SEK3,952.57</b>
<b>1</b>	<b>1716450</b>	<b>TRUNK CARPET SET MONTREAL VELOURS BLUE 129</b>	<b>SEK5,001.94</b>
<b>1</b>	<b>1716460</b>	<b>TRUNK CARPET SET MONTREAL VELOURS BORDEAUX 158</b>	<b>SEK3,719.47</b>
<b>1</b>	<b>1716470</b>	<b>TRUNK CARPET SET MONTREAL VELOURS GREY 126</b>	<b>SEK3,719.47</b>
<b>1</b>	<b>1716480</b>	<b>TRUNK CARPET SET MONTREAL VELOURS BRIGHT BEIGE 118</b>	<b>SEK4,139.19</b>

# Sitzbezüge/Seat Cover Montreal



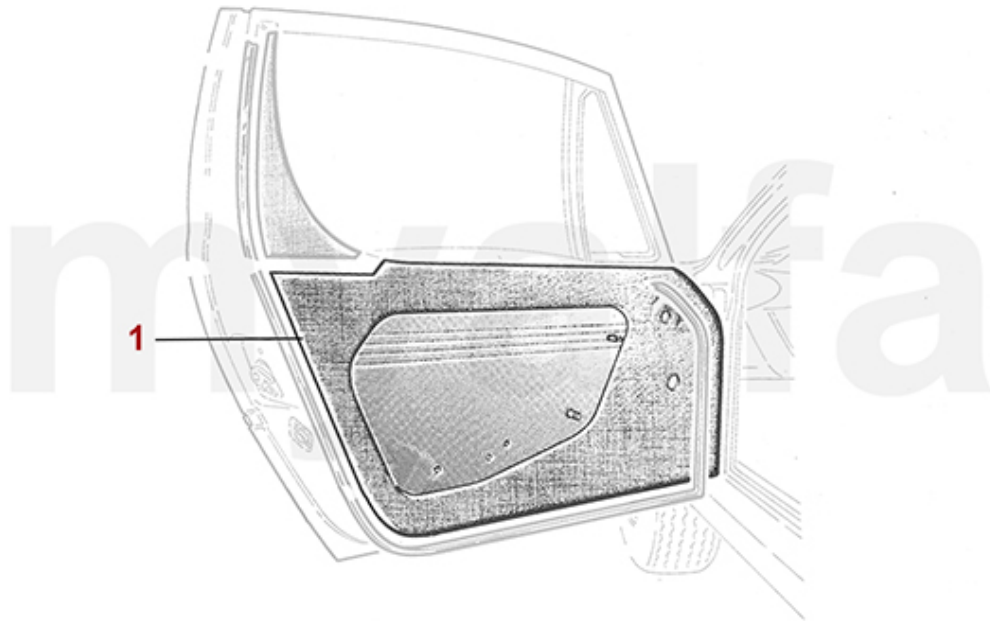
<b>1</b>	<b>1706410</b>	<b>SEAT COVER MONTREAL FRONT VINYL SKAI BLACK</b>	<b>SEK4,197.47</b>
<b>1</b>	<b>1706420</b>	<b>SEAT COVER MONTREAL FRONT VINYL SKAI BLACK / CLOTH GRAY</b>	<b>SEK4,768.84</b>
<b>1</b>	<b>1706430</b>	<b>SEAT COVER MONTREAL FRONT LEATHER BLACK</b>	<b>SEK20,509.33</b>
<b>1</b>	<b>1706440</b>	<b>SEAT COVER MONTREAL FRONT VINYL SKAI BLACK / CLOTH BLACK</b>	<b>SEK4,768.84</b>
<b>1</b>	<b>1706450</b>	<b>FRONT SEAT COVER MONTREAL LEATHER/FABRIC BLUE 889+666</b>	<b>SEK22,095.11</b>
<b>1</b>	<b>1706460</b>	<b>FRONT SEAT COVER MONTREAL LEATHER/FABRIC BLACK</b>	<b>SEK8,103.56</b>
<b>2</b>	<b>1760110</b>	<b>SET COVERS FOR HEADREST ADJUSTMENT MONTREAL</b>	<b>SEK921.16</b>
<b>3</b>	<b>1760100</b>	<b>SET SEATBELT GUIDES MONTREAL</b>	<b>SEK523.50</b>

<b>1</b>	<b>1781430</b>	<b>SET HORN BUTTON SURROUND 53 mm, HELLEBORE, 3 PIECES</b>	<b>SEK173.72</b>
<b>2</b>	<b>1731390</b>	<b>HEATER FASCIA PANEL CHROME GT BERTONE</b>	<b>On request</b>
<b>3</b>	<b>1736410</b>	<b>UPPER FASCIA CONSOLE MONTREAL</b>	<b>SEK2,553.42</b>
<b>4</b>	<b>1736420</b>	<b>FACIA GEAR CONSOLE MONTREAL</b>	<b>SEK3,019.89</b>
<b>5</b>	<b>1736430</b>	<b>RADIO BLANKING PLATE MONTREAL</b>	<b>On request</b>
<b>6</b>	<b>1781050</b>	<b>SHIFT KNOB WOOD MAHOGANY RED WITH BIG BADGE</b>	<b>On request</b>
<b>7</b>	<b>1780630</b>	<b>SHIFT KNOB WOOD WITH SMALL BADGE</b>	<b>On request</b>
<b>8</b>	<b>1780140</b>	<b>GEAR-SHIFT KNOB - wood ERGONOMIC without emblem</b>	<b>On request</b>



**1 4130080 GEARSTICK GAITER MONTREAL**

**SEK1,040.63**



**1 1745460 SET INNER DOOR TRIM PANELS MONTREAL BLACK**

**SEK16,894.89**

<b>1</b>	<b>9300580</b>	<b>BODY VIN PLATE (BLANK)</b>	<b>SEK250.72</b>
<b>1</b>	<b>9300590</b>	<b>BODY TYPE PLATE MONTREAL, 105.64</b>	<b>SEK250.72</b>

<b>1</b>	<b>1516410</b>	<b>OUTER HEADLIGHT H1 CARELLO WITHOUT PARKING LIGHT (136mm) MONTREAL / ZAGATO JUNIOR</b>	<b>SEK884.95</b>
<b>1</b>	<b>1516400</b>	<b>OUTER HEADLIGHT H1 CARELLO WITH PARKING LIGHT (136mm) MONTREAL/ZAGATO JUNIOR</b>	<b>SEK884.95</b>
<b>2</b>	<b>1516420</b>	<b>INNER HEADLIGHT H1 CARELLO (136mm) 102/106 SPRINT, BERLINA, 106 SPIDER / MONTREAL / ZAGATO JUNIOR</b>	<b>SEK815.02</b>
<b>3</b>	<b>1590101</b>	<b>VACUUM CAN BONALDI HEADLIGHT COVER MONTREAL LEFT NEW</b>	<b>SEK4,547.25</b>
<b>3</b>	<b>1590102</b>	<b>VACUUM CAN BONALDI HEADLIGHT COVER MONTREAL RIGHT NEW</b>	<b>SEK4,547.25</b>
<b>4</b>	<b>1546420</b>	<b>INDICATOR MONTREAL WHITE FRONT</b>	<b>On request</b>
<b>5</b>	<b>1550510</b>	<b>INDICATOR REPEATOR GT BERTONE / SPIDER ROUND</b>	<b>SEK220.34</b>
<b>6</b>	<b>1570140</b>	<b>LIGHT UNDER BONNET/TRUNK/ GLOVE BOX</b>	<b>SEK197.03</b>
<b>7</b>	<b>1586450</b>	<b>SET REAR LIGHT LENSES MONTREAL MONTREAL CARELLO 6 PIECES</b>	<b>SEK5,771.58</b>
<b>8</b>	<b>1596460</b>	<b>REAR LIGHT GLASS SEALS (SET) MONTREAL</b>	<b>SEK577.20</b>
<b>9</b>	<b>1596450</b>	<b>SET REAR LIGHT SEALS MONTREAL</b>	<b>SEK849.98</b>



\*das Bild zeigt eine Stretchshell Decke in schwarz

<b>1</b>	<b>9111180</b>	<b>CARCOVER MADE TO MEASURE ALFA ROMEO MONTREAL WITH BADGE, RED</b>	<b>SEK1,970.53</b>
<b>2</b>	<b>9116460</b>	<b>CAR COVER ALFA ROMEO MONTREAL, RED</b>	<b>SEK1,387.50</b>
<b>2</b>	<b>9116470</b>	<b>CAR COVER ALFA ROMEO MONTREAL, BLUE</b>	<b>SEK1,387.50</b>
<b>2</b>	<b>9116480</b>	<b>CAR COVER ALFA ROMEO MONTREAL, GREEN</b>	<b>SEK1,387.50</b>
<b>2</b>	<b>9116490</b>	<b>CAR COVER ALFA ROMEO MONTREAL, BLACK</b>	<b>SEK1,387.50</b>

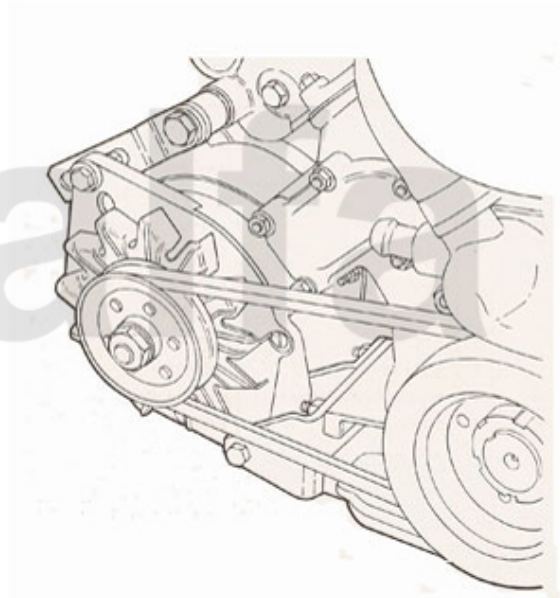


# Keilriemen/V-Belts Montreal

---

**1. 270 10775**  
Generator  
9,5/10 x 775

**2. 270 10990**  
Servolenkung/  
Powersteering  
9,5/10 x 990



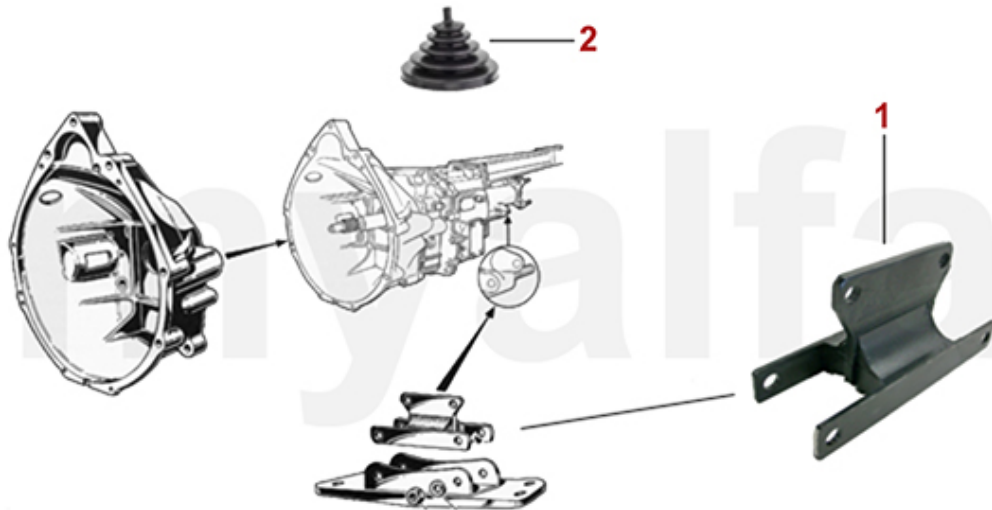
**1 27010775 V-BELT ALTERNATOR MONTREAL, 9,5 x 775**

**SEK181.90**

**2 27010990 V-BELT POWER STEERING MONTREAL, 9,5 x 990**

**SEK170.25**

# Getriebe Anbauteile/Gear Mount Montreal



- 1 4126410 REAR TRANSMISSION MOUNT MONTREAL**
- 2 4130080 GEARSTICK GAITER MONTREAL**

**SEK2,786.66**  
**SEK1,040.63**

# Federn/Springs Montreal



<b>1</b>	<b>5156410</b>	<b>SPORT FRONT SPRING EIBACH BERLINA / MONTREAL (30MM LOWER)</b>	<b>SEK1,445.78</b>
<b>2</b>	<b>5180160</b>	<b>RUBBER SEAT FRONT SPRING UPPER / LOWER</b>	<b>SEK110.72</b>
<b>3</b>	<b>5180170</b>	<b>METAL SEAT FRONT SPRING UPPER / LOWER</b>	<b>SEK110.72</b>
<b>4</b>	<b>5180180</b>	<b>FRONT SPRING SPACER ALUMINIUM 6 mm</b>	<b>SEK326.48</b>
<b>5</b>	<b>5180131</b>	<b>SPRING PAN LEFT SHALLOW 1986-93</b>	<b>SEK571.37</b>
<b>6</b>	<b>5180132</b>	<b>FRONT SPRING PAN DEEP RIGHT 1986-93</b>	<b>SEK571.37</b>
<b>7</b>	<b>5180140</b>	<b>UPPER RUBBER SEAT REAR SPRING</b>	<b>SEK115.44</b>
<b>8</b>	<b>5156420</b>	<b>REAR SPRING EIBACH MONTREAL (30MM LOWER)</b>	<b>SEK1,433.01</b>

<b>1</b>	<b>6106450</b>	<b>BRAKE DISC MONTREAL FRONT ohne Radbolzen</b>	<b>SEK3,089.82</b>
<b>2</b>	<b>6106460</b>	<b>BRAKE DISC MONTREAL REAR</b>	<b>SEK4,069.26</b>

<b>1</b>	<b>8226450</b>	<b>STARTER MOTOR MONTREAL EXCHANGE</b>	<b>On request</b>
<b>1</b>	<b>8216450</b>	<b>HIGH PERFORMANCE STARTER MOTOR - MONTREAL</b>	<b>SEK5,001.94</b>
<b>2</b>	<b>8216460</b>	<b>ALTERNATOR MONTREAL EXCHANGE 65A STD</b>	<b>SEK4,535.60</b>
<b>2</b>	<b>8216470</b>	<b>ALTERNATOR MONTREAL NEW 65A STANDARD</b>	<b>SEK6,704.26</b>
<b>2</b>	<b>8216480</b>	<b>ALTERNATOR MONTREAL NEW 100A STRENGTHENED</b>	<b>SEK8,033.49</b>
<b>3</b>	<b>8230700</b>	<b>EXTERNAL REGULATOR ALTERNATOR 12V</b>	<b>SEK378.93</b>
<b>3</b>	<b>8230710</b>	<b>EXTERNAL REGULATOR ALTERNATOR 12V HELLA</b>	<b>SEK460.51</b>

<b>1</b>	<b>9822260</b>	<b>BATTERY CHARGER AB-4 ABSAAR</b>	<b>SEK553.89</b>
<b>2</b>	<b>9822250</b>	<b>BATTERY LIFE SAFER</b>	<b>SEK448.86</b>
<b>3</b>	<b>8701130</b>	<b>BATTERY SWITCH / MASS POLE CLAMP</b>	<b>SEK92.13</b>

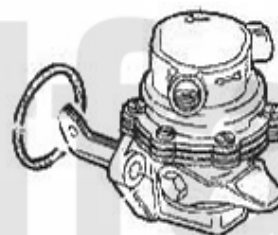
# Kraftstoffpumpe/Fuel Pump Giulietta



**1** 253 0100  
> 1980



**2** 253 3046  
1980>



**3** 253 3107  
TD

**1** 2530100 FUEL PUMP CARBURETTOR MODELS

**SEK570.12**

**2** 2533046 FUEL PUMP (116) CARB. 1980>

**SEK641.30**

**3** 2533107 Kraftstoffpumpe 6,75,90 Alfetta TD

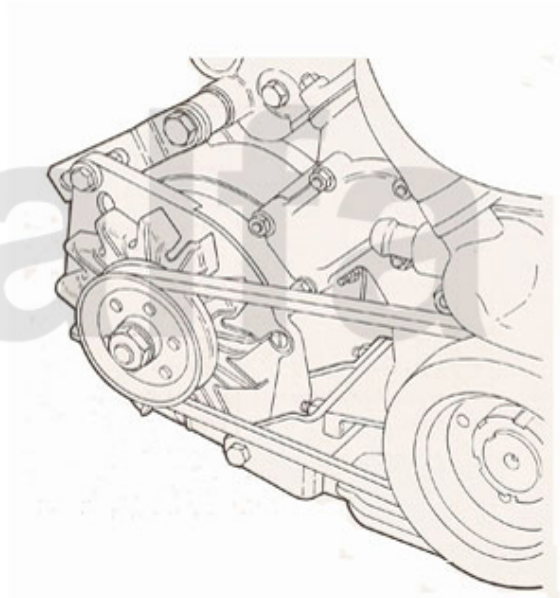
**On request**

# Keilriemen/V-Belts Montreal

---

**1. 270 10775**  
Generator  
9,5/10 x 775

**2. 270 10990**  
Servolenkung/  
Powersteering  
9,5/10 x 990



**1 27010775 V-BELT ALTERNATOR MONTREAL, 9,5 x 775**

**SEK181.90**

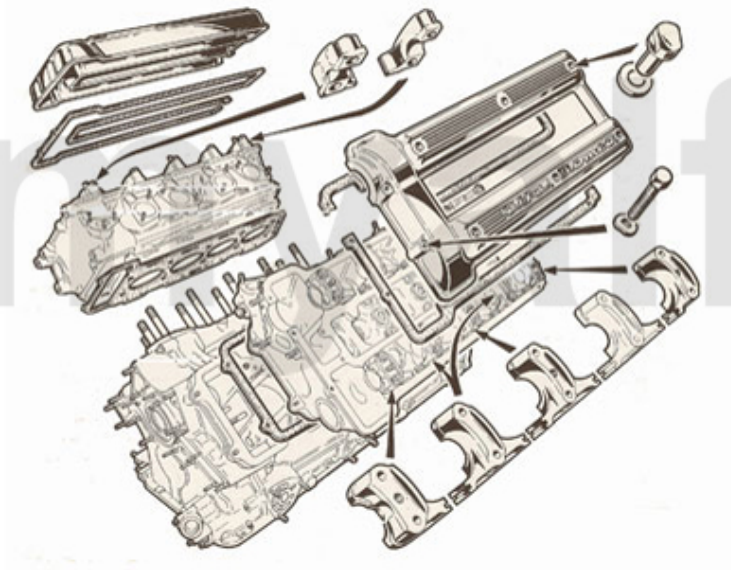
**2 27010990 V-BELT POWER STEERING MONTREAL, 9,5 x 990**

**SEK170.25**



# Kopfdichtsatz/Head Set Montreal

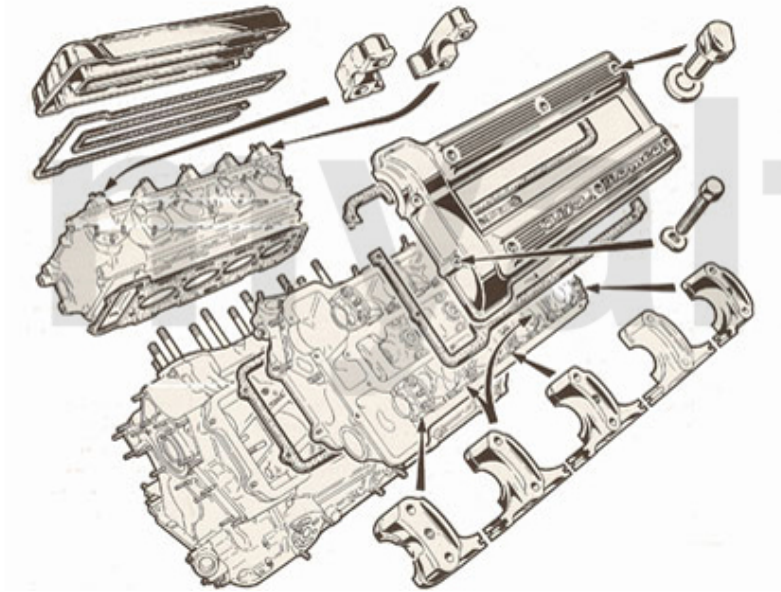
---



**1 2326450 HEAD OVERHAUL SET MONTREAL WITH HEAD GASKETS**

*On request*

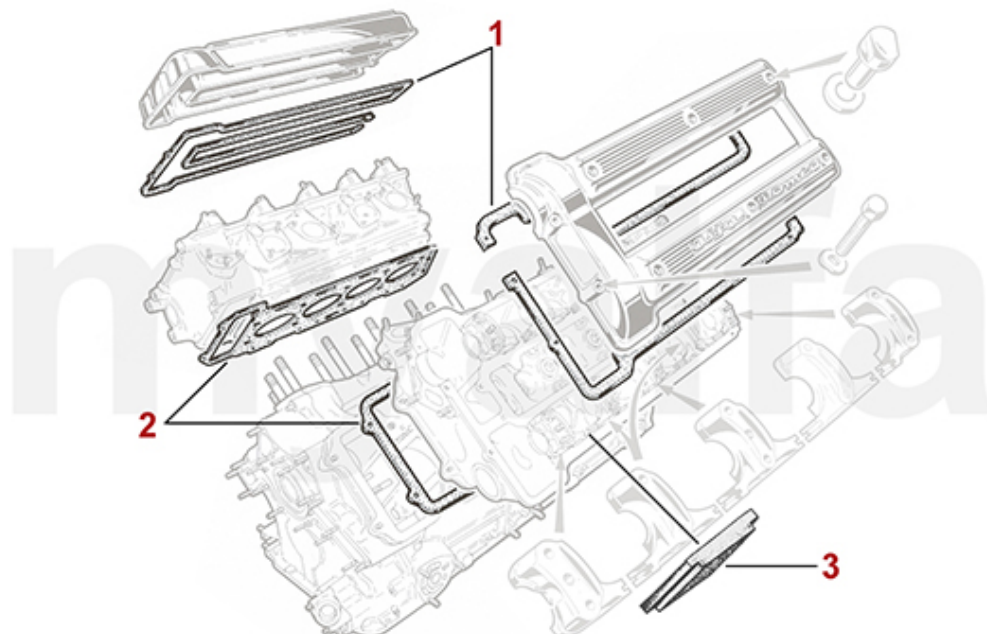
# Motordichtsatz/Full Set Montreal



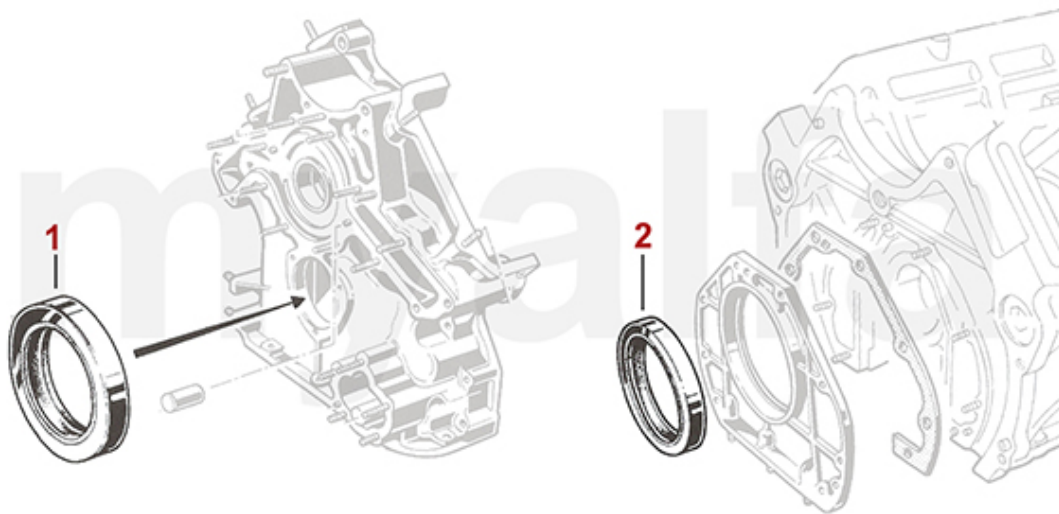
**1. 231 646 0**  
ohne Simmeringe/  
without oil seals

**1 2316460 FULL ENGINE GASKET SET MONTREAL WITH HEAD GASKETS LESS OIL SEALS**

**SEK3,252.99**



<b>1</b>	<b>2336410</b>	<b>SET CAM COVER GASKETS MONTREAL</b>	<b>SEK846.51</b>
<b>2</b>	<b>2336450</b>	<b>SET HEAD GASKETS MONTREAL ELRING</b>	<b>SEK4,069.26</b>
<b>3</b>	<b>2336400</b>	<b>RUBBER BLOCK MONTREAL VALVE COVER GASKET</b>	<b>SEK103.79</b>



**1 2336460 OIL SEAL CRANK SHAFT MONTREAL FRONT**

**SEK320.65**

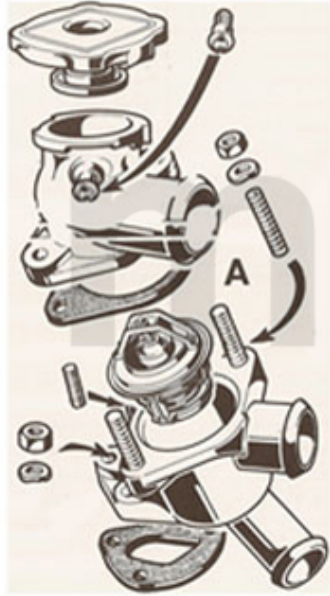
**2 2330230 OIL SEAL CRANK SHAFT REAR 82/105/12 750/101/105/115/116 UP TO 1989, OEM QUALITY**

**SEK383.64**



# Thermostat Montreal

---

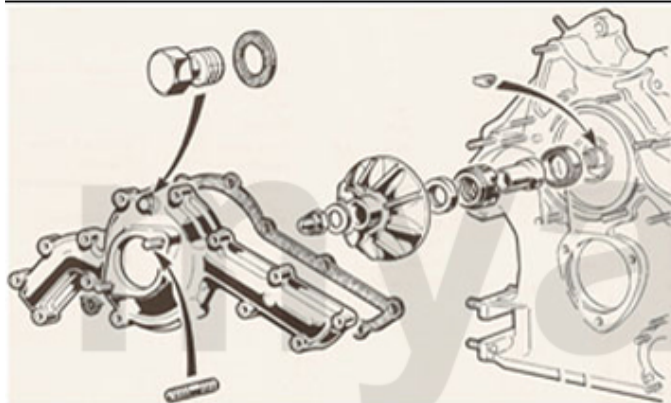


1. 263 005 0

1 2630050 THERMOSTAT MONTREAL 79 DEGREE CELSIUS

SEK465.23

# Wasserpumpe/Waterpump Montreal



1. 262 645 0



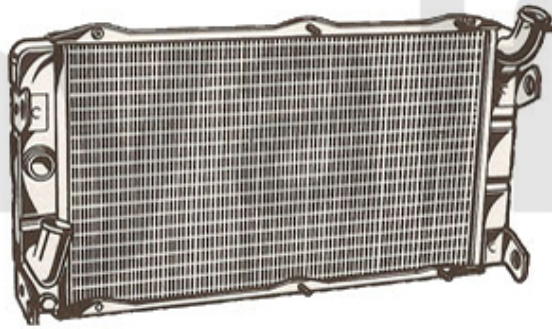
1 2626450 REPAIR KIT WATERPUMP MONTREAL

SEK3,152.82

# Motorkühler/Radiator Montreal

---

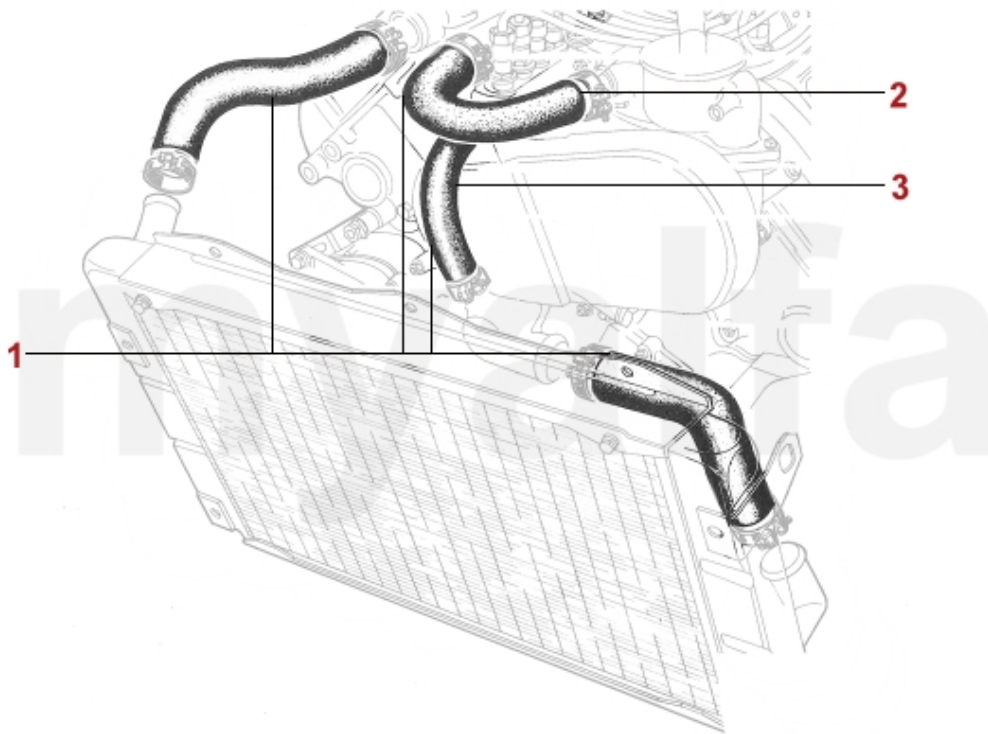
1. 261 645 0



1 2616450 RADIATOR MONTREAL EXCHANGE

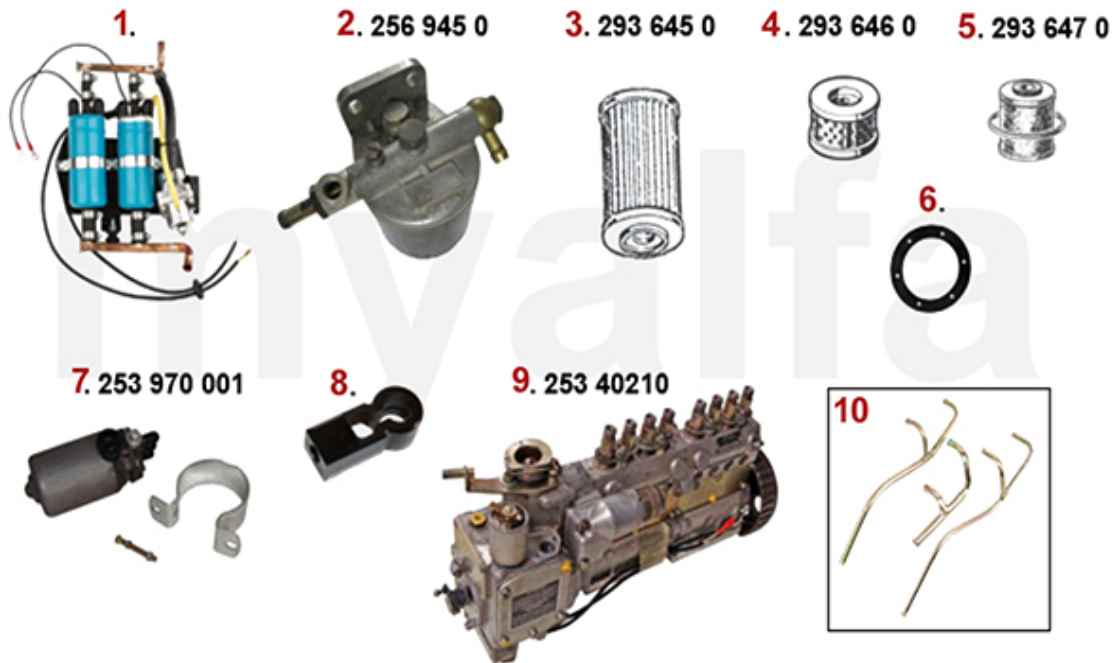
SEK6,943.33





<b>1</b>	<b>2660730</b>	<b>SET (4pc) COOLANT HOSES MONTREAL</b>	<b>SEK1,620.74</b>
<b>2</b>	<b>26615761</b>	<b>RADIATOR HOSE MONTREAL CYLINDER HEAD BYPASS</b>	<b>On request</b>
<b>3</b>	<b>26615764</b>	<b>RADIATOR HOSE WATER PUMP CYLINDER HEAD MONTREAL</b>	<b>On request</b>

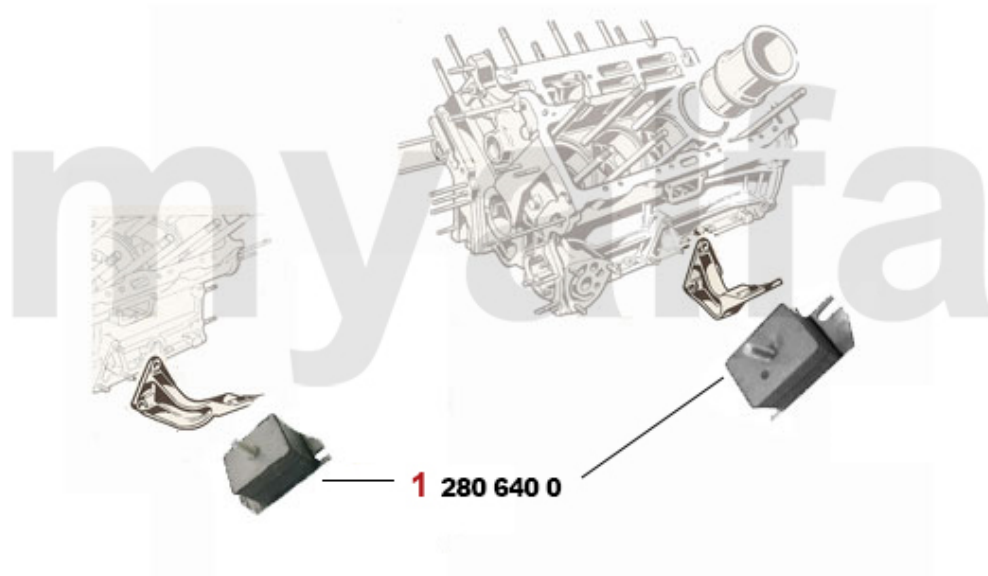
# Kraftstoffförderung/Fuel System Montreal



<b>1</b>	<b>2537020</b>	<b>FUEL PUMP SET MONTREAL</b>	<b>On request</b>
<b>2</b>	<b>2569450</b>	<b>FUEL PRESSURE REGULATOR MONTREAL</b>	<b>SEK1,743.12</b>
<b>3</b>	<b>2936450</b>	<b>OIL FILTER INJECTION PUMP SPICA MONTREAL</b>	<b>SEK465.23</b>
<b>4</b>	<b>2936460</b>	<b>FUEL FILTER Tank MONTREAL</b>	<b>SEK543.35</b>
<b>5</b>	<b>2936470</b>	<b>FUEL FILTER MONTREAL</b>	<b>SEK395.30</b>
<b>6</b>	<b>8650180</b>	<b>RUBBER GASKET SEAL FUEL FILTER TANK MONTREAL</b>	<b>SEK220.34</b>
<b>7</b>	<b>25370001</b>	<b>FUEL PUMP MONTREAL</b>	<b>On request</b>
<b>8</b>	<b>2521350</b>	<b>BALL SOCKET/JOINT HEAD MONTREAL, REGULATING LINKAGE INJECTION PUMP</b>	<b>SEK107.25</b>
<b>9</b>	<b>25340210</b>	<b>FUEL INJECTION PUMP MONTREAL</b>	<b>On request</b>
<b>10</b>	<b>2537040</b>	<b>FUEL PIPE SET AT FUEL PUMPS - MONTREAL</b>	<b>SEK2,378.59</b>

# Motorlager/Enginemount Montreal

---



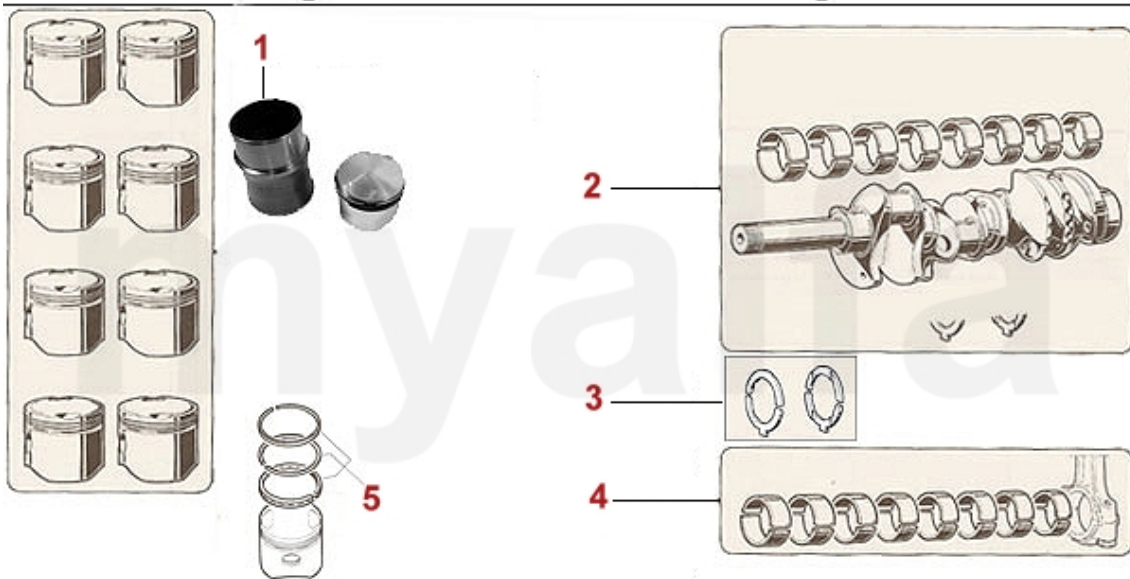
**1 280 640 0**

**1 2806400 SET ENGINE MOUNTS MONTREAL**

**SEK2,087.08**

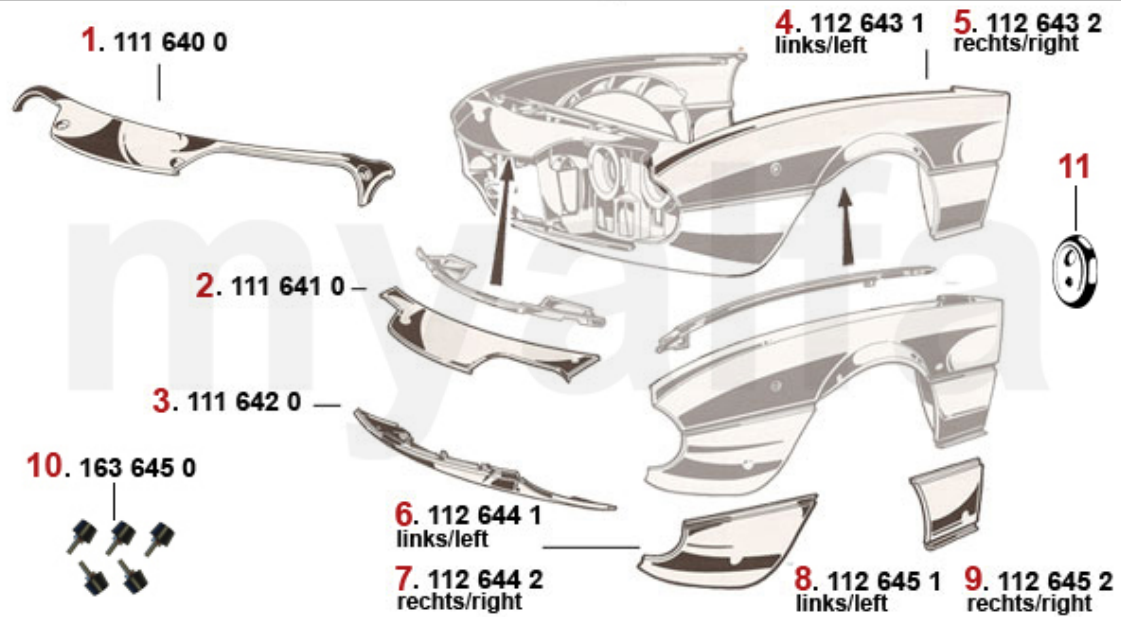
1	2236400	INTAKE VALVE MONTREAL 37 mm	SEK383.64
2	2236410	EXHAUST VALVE MONTREAL 33 mm	SEK383.64
3	2230400	VALVE GUIDE INTAKE STANDARD 9 x 14,05 x 51	SEK122.38
3	2231600	VALVE GUIDE INTAKE OVERSIZE 0.10 9 x 14,10 x 51	SEK162.06
3	2231610	VALVE GUIDE INTAKE OVERSIZE 0.20 9 x 14,15 x 51	SEK162.06
3	2230420	VALVE GUIDE EXHAUST STANDARD 9 x 14,05 x 54	SEK127.10
3	2231620	VALVE GUIDE EXHAUST OVERSIZE 0.10 9 x 14,10 x 54	SEK173.72
4	2332550	VALVE SEAL REINZ	SEK57.17
5	2232920	VALVE SPRING CUP	On request
6	2232950	SHIM VALVE CUP / SPRING	SEK41.35
7	2232740	SET VALVE SPRINGS 16 PIECES	SEK991.09
8	2232960	VALVE COTTER 9MM	SEK22.20
9	2431140	SET VALVE SHIMS 200 PIECES 2,525 - 3,5 mm, DIAMETER 9mm	SEK6,517.78
9	2430840	SET VALVE SHIMS 205 PIECES 1,5 - 2,5 mm, DIAMETER 9mm	SEK6,517.78
9	2430430	VALVE SHIM 9MM PLEASE SUBMIT THE SIZE YOU NEED	SEK144.58
10	2416430	TIMING BELT INJECTION PUMP MONTREAL	SEK571.37
11	24161020	TIMING CHAIN MONTREAL RIGHT IWIS	SEK931.57
12	24160980	TIMING CHAIN MONTREAL LEFT IWIS	SEK921.16
13	24160500	TIMING CHAIN MONTREAL SHORT IWIS	SEK565.55
14	24155030	TIMING CHAIN OIL PUMP MONTREAL IWIS	SEK687.92
15	2426470	SET SLIDE RAILS MONTREAL, PTFE TEFLON	SEK3,474.58
16	2421050	LOWER CHAIN TENSIONER 2600 / 105/115 / Montreal	SEK629.65
17	2240680	CAM FOLLOWER OE-QUALITY 101/105/115/116/75/155/164	SEK204.10
17	2240710	CAM FOLLOWER DLC RACING MADE IN ITALY 101/105/115/116/75/164	SEK460.51

# Kolben/Lager-Pistons/Bearings Montreal



<b>1</b>	<b>2216415</b>	<b>PISTON / LINER MONTREAL</b>	<b>SEK4,430.70</b>
<b>2</b>	<b>2256430</b>	<b>MAIN BEARINGS MONTREAL STANDARD</b>	<b>SEK4,768.84</b>
<b>2</b>	<b>2256431</b>	<b>MAIN BEARINGS MONTREAL +0,10</b>	<b>SEK4,768.84</b>
<b>2</b>	<b>2256432</b>	<b>MAIN BEARINGS MONTREAL +0,20</b>	<b>SEK4,768.84</b>
<b>2</b>	<b>2256433</b>	<b>MAIN BEARINGS MONTREAL +0,30</b>	<b>SEK5,584.97</b>
<b>2</b>	<b>2256434</b>	<b>MAIN BEARINGS MONTREAL +0,40</b>	<b>SEK5,584.97</b>
<b>3</b>	<b>2256440</b>	<b>SET THRUST WASHERS STD MONTREAL</b>	<b>SEK2,308.52</b>
<b>4</b>	<b>2266450</b>	<b>BIG END BEARINGS MONTREAL STANDARD</b>	<b>SEK4,069.26</b>
<b>4</b>	<b>2266451</b>	<b>BIG END BEARINGS MONTREAL +0,10</b>	<b>SEK4,069.26</b>
<b>4</b>	<b>2266452</b>	<b>BIG END BEARINGS MONTREAL +0,20</b>	<b>SEK4,419.05</b>
<b>4</b>	<b>2266453</b>	<b>BIG END BEARIINGS MONTREAL +0,30</b>	<b>SEK4,419.05</b>
<b>4</b>	<b>2266454</b>	<b>BIG END BEARIINGS MONTREAL +0,40</b>	<b>SEK5,362.27</b>
<b>5</b>	<b>2282265</b>	<b>SET PISTON RINGS MONTREAL (FOR 1 PISTON)</b>	<b>SEK454.68</b>

# Karosserieteile vorne/Body Parts front Montreal



<b>1</b>	<b>1116400</b>	<b>INNER SUPPORT PANEL FOR FRONT PANEL MONTREAL</b>	<b>On request</b>
<b>2</b>	<b>1116410</b>	<b>UPPER FRONT PANEL MONTREAL</b>	<b>SEK8,919.68</b>
<b>3</b>	<b>1116420</b>	<b>FRONT VALANCE MONTREAL</b>	<b>SEK9,909.53</b>
<b>4</b>	<b>1126431</b>	<b>UPPER FRONT WING SECTION MONTREAL LEFT</b>	<b>On request</b>
<b>5</b>	<b>1126432</b>	<b>UPPER FRONT WING SECTION MONTREAL RIGHT</b>	<b>On request</b>
<b>6</b>	<b>1126441</b>	<b>LOWER FRONT WING SECTION MONTREAL FRONT LEFT</b>	<b>SEK5,001.94</b>
<b>7</b>	<b>1126442</b>	<b>LOWER FRONT WING SECTION MONTREAL FRONT RIGHT</b>	<b>SEK5,001.94</b>
<b>8</b>	<b>1126451</b>	<b>LOWER FRONT WING SECTION MONTREAL REAR LEFT</b>	<b>SEK4,419.05</b>
<b>9</b>	<b>1126452</b>	<b>LOWER FRONT WING SECTION MONTREAL REAR RIGHT</b>	<b>SEK4,419.05</b>
<b>10</b>	<b>1636450</b>	<b>SET BONNET STOPS MONTREAL 4 PIECES</b>	<b>SEK1,504.05</b>
<b>11</b>	<b>1631450</b>	<b>OVAL GROMMET FOR HARNESS MONTREAL, 2 HOLES</b>	<b>SEK134.03</b>

# Kupplung/Clutch Montreal

---



<b>1</b>	<b>4344120</b>	<b>CLUTCH DISC MONTREAL</b>	<b>SEK2,669.97</b>
<b>2</b>	<b>4332300</b>	<b>PRESSURE PLATE MONTREAL</b>	<b>SEK3,451.27</b>
<b>3</b>	<b>4350330</b>	<b>CLUTCH RELEASE BEARING HYDRAULIC FICHTEL &amp; SACHS</b>	<b>SEK921.16</b>

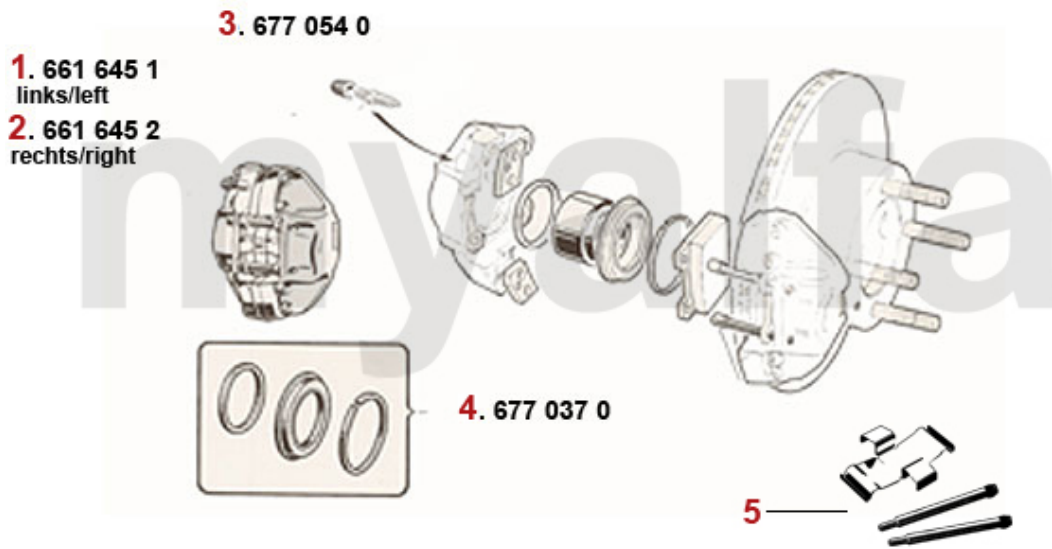
# Stoßdämpfer/Shock Absorber Montreal



<b>1</b>	<b>5120050</b>	<b>SHOCK ABSORBER FRONT BILSTEIN GAS PRESSURE</b>	<b>SEK1,737.29</b>
<b>2</b>	<b>5120030</b>	<b>SHOCK ABSORBER FRONT KONI RED ADJUSTABLE</b>	<b>SEK1,502.94</b>
<b>3</b>	<b>5121490</b>	<b>SHOCK ABSORBER FRONT KONI YELLOW ADJUSTABLE</b>	<b>SEK1,514.60</b>
<b>4</b>	<b>5120060</b>	<b>SHOCK ABSORBER REAR BILSTEIN GAS PRESSURE</b>	<b>SEK1,737.29</b>
<b>5</b>	<b>5120040</b>	<b>SHOCK ABSORBER REAR KONI RED ADJUSTABLE</b>	<b>SEK1,502.94</b>
<b>6</b>	<b>5121500</b>	<b>SHOCK ABSORBER REAR KONI YELLOW ADJUSTABLE</b>	<b>SEK1,514.60</b>



# Bremssattel/Caliper Montreal vorne/front



1	6616451	BRAKE CALIPER MONTREAL FRONT NEW LEFT	SEK2,786.66
2	6616452	BRAKE CALIPER MONTREAL FRONT NEW RIGHT	SEK2,786.66
3	6770540	CAP BLEEDER SCREW	SEK18.04
4	6770370	BRAKE CALIPER REBUILD KIT FRONT ATE	SEK263.49
5	6500100	RETAINING PIN FOR FRONT BRAKE PAD MONTREAL	SEK227.41

# Schalter/Switches Montreal



1	8414600	ELECTRIC WINDOW ROCKER SWITCH MONTREAL	SEK804.47
2	8413801	INTERIOR LIGHT ROCKER SWITCH MONTREAL	SEK687.92
3	8413400	HORN ROCKER SWITCH MONTREAL	SEK687.92
4	8410510	DASHLIGHT ROCKER SWITCH SPIDER 1970-80 / MONTREAL	SEK687.92
5	8410580	HEATER FAN ROCKER SWITCH SPIDER 1970-80, MONTREAL	SEK804.47
6	8410540	WINDSCREEN WIPER ROCKER SWITCH SPIDER 1970-80, MONTREAL	SEK804.47
7	8416450	COURTESY LIGHT SWITCH MONTREAL	SEK95.60
8	8436450	COLUMN SWITCH MONTREAL	SEK2,786.66
9	8110080	IGNITION SWITCH RIGHT SIDE OF STEERING WHEEL	SEK1,620.74

# Ansaugbrücke/Intake Manifold Giulietta (116)



**1.** 233 0160  
>05.1983



**7.** 252 0790  
Satz ALU-Flansche/  
set alloy flanges  
>05.1983



**2.** 252 0180  
Doppelflansch/  
double flange  
>05.1983  
Ø 40 mm



**8.** 233 58501  
06.1983>



**3.** 252 0170  
Einzelflansch/  
single flange  
>05.1983  
Ø 40 mm



**9.** 252 2384  
Doppelflansch/  
double flange  
06.1983>  
Ø 40 mm



**4.** 233 0190  
>05.1983 x 8



**10.** 252 2383  
Einzelflansch/  
single flange  
06.1983>  
Ø 40 mm



**5.** 252 0340  
Einzelflansch/  
single flange  
>05.1983  
Ø 45 mm

**6.** 233 0770  
Ø 45 mm x 8



**11.** 233 18080  
06.1983> x 4  
**4.** 233 0190  
06.1983> x 4

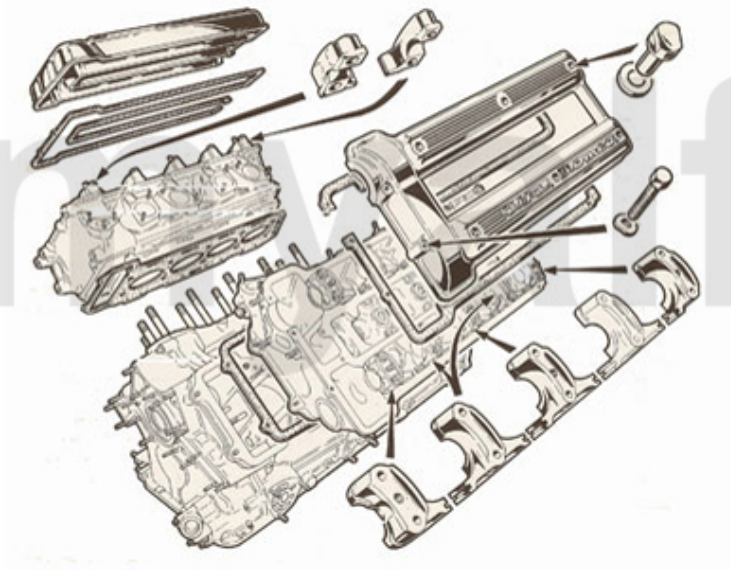
<b>1</b>	<b>2330160</b>	<b>INTAKE MANIFOLD GASKET 1600-2000 CARBURETTOR MODELS FROM 1968 ON</b>	<b>SEK158.59</b>
<b>2</b>	<b>2520180</b>	<b>DOUBLE CARBURETTOR RUBBER MOUNT 40 mm PREMIUM QUALITY</b>	<b>SEK687.92</b>
<b>3</b>	<b>2520170</b>	<b>SINGLE CARBURETTOR RUBBER MOUNT 40 mm PREMIUM QUALITY</b>	<b>SEK402.24</b>
<b>5</b>	<b>2520340</b>	<b>CARBURETTOR RUBBER MOUNT 45 mm</b>	<b>SEK408.06</b>
<b>6</b>	<b>2330770</b>	<b>HD CARBURETTOR MOUNT GASKET 45 mm TS-9003</b>	<b>SEK20.40</b>
<b>9</b>	<b>2522384</b>	<b>DOUBLE CARBURETTOR RUBBER MOUNT 40 mm. 116 4-CYLINDER 06.1983&gt;, SPIDER 1600 1990-93 PREMIUM QUALITY</b>	<b>SEK1,037.71</b>
<b>10</b>	<b>2522383</b>	<b>SINGLE CARBURETTOR RUBBER MOUNT 40 mm, 116 4-CYLINDER 06/1983&gt;, SPIDER 1600 1990-93 PREMIUM QUALITY</b>	<b>SEK555.00</b>
<b>11</b>	<b>23318080</b>	<b>GASKET CARBURETTOR RUBBER MOUNT / INTAKE MANIFOLD SPIDER 1600 1990-93</b>	<b>SEK17.48</b>



<b>1</b>	<b>33207803</b>	<b>FRONT EXHAUST SECTION MONTREAL RIGHT</b>	<b>SEK3,952.57</b>
<b>2</b>	<b>33207813</b>	<b>FRONT EXHAUST SECTION MONTREAL LEFT</b>	<b>SEK3,952.57</b>
<b>3</b>	<b>34107806</b>	<b>MIDDLE EXHAUST SECTION MONTREAL RIGHT</b>	<b>SEK4,419.05</b>
<b>4</b>	<b>34107816</b>	<b>MIDDLE EXHAUST SECTION MONTREAL LEFT</b>	<b>SEK4,419.05</b>
<b>5</b>	<b>35107807</b>	<b>REAR EXHAUST SECTION MONTREAL RIGHT</b>	<b>SEK3,492.06</b>
<b>6</b>	<b>35107817</b>	<b>REAR EXHAUST SECTION MONTREAL LEFT</b>	<b>SEK3,492.06</b>
<b>7</b>	<b>38094407</b>	<b>GASKET EXHAUST MANIFOLD / FRONT EXHAUST SECTION MONTREAL</b>	<b>SEK99.07</b>
<b>8</b>	<b>38094047</b>	<b>O-RING REAR EXHAUST SECTION MONTREAL</b>	<b>SEK92.13</b>
<b>9</b>	<b>3800240</b>	<b>EXHAUST RUBBER MOUNT GTV6/MONTREAL REAR SECTION</b>	<b>SEK87.41</b>
<b>10</b>	<b>3800260</b>	<b>EXHAUST RUBBER HANGER</b>	<b>SEK58.28</b>
<b>11</b>	<b>3800510</b>	<b>EXHAUST HANGER RUBBER WASHER (SET 2)</b>	<b>SEK127.10</b>
<b>12</b>	<b>3800500</b>	<b>SET JACKET EXHAUST HANGER RUBBERS (2PC)</b>	<b>SEK67.43</b>
<b>13</b>	<b>3800280</b>	<b>GEARBOX EXHAUST HANGER BUSH</b>	<b>SEK110.72</b>

# Kopfdichtsatz/Head Set Montreal

---

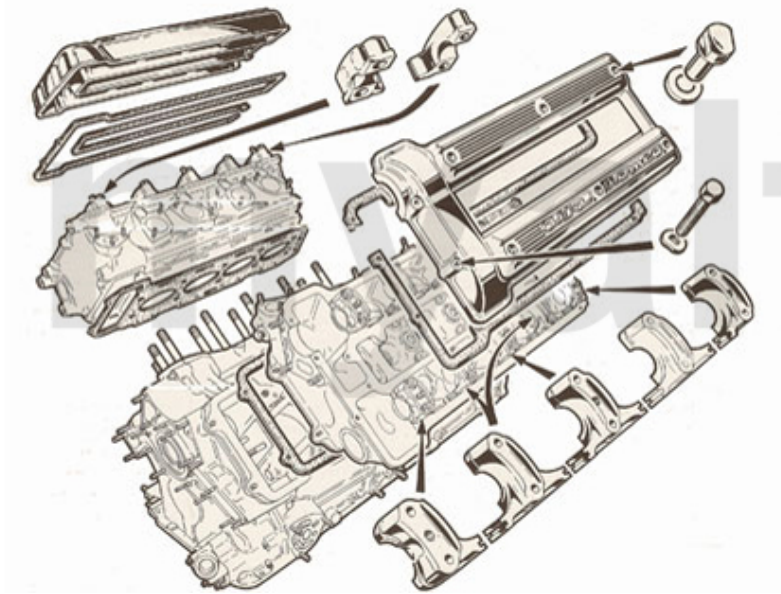


**1 2326450 HEAD OVERHAUL SET MONTREAL WITH HEAD GASKETS**

*On request*

# Motordichtsatz/Full Set Montreal

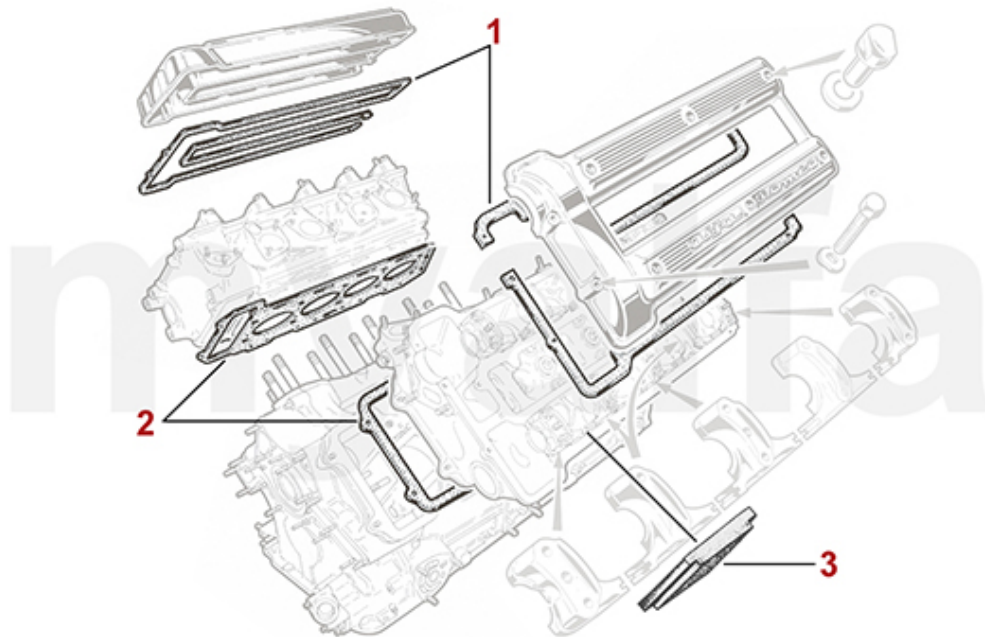
---



**1. 231 646 0**  
ohne Simmeringe/  
without oil seals

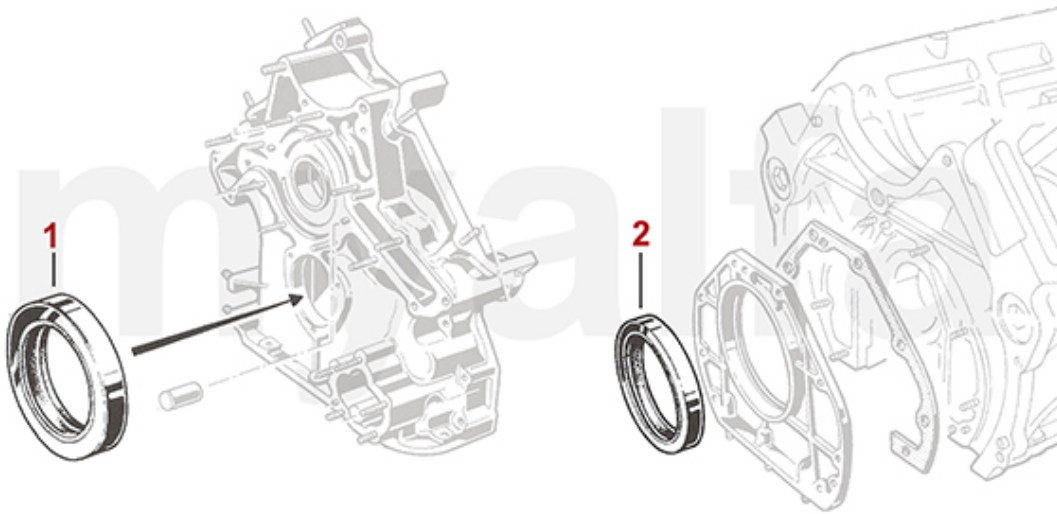
**1 2316460 FULL ENGINE GASKET SET MONTREAL WITH HEAD GASKETS LESS OIL SEALS**

**SEK3,252.99**



<b>1</b>	<b>2336410</b>	<b>SET CAM COVER GASKETS MONTREAL</b>	<b>SEK846.51</b>
<b>2</b>	<b>2336450</b>	<b>SET HEAD GASKETS MONTREAL ELRING</b>	<b>SEK4,069.26</b>
<b>3</b>	<b>2336400</b>	<b>RUBBER BLOCK MONTREAL VALVE COVER GASKET</b>	<b>SEK103.79</b>





**1 2336460 OIL SEAL CRANK SHAFT MONTREAL FRONT**

**SEK320.65**

**2 2330230 OIL SEAL CRANK SHAFT REAR 82/105/12 750/101/105/115/116 UP TO 1989, OEM QUALITY**

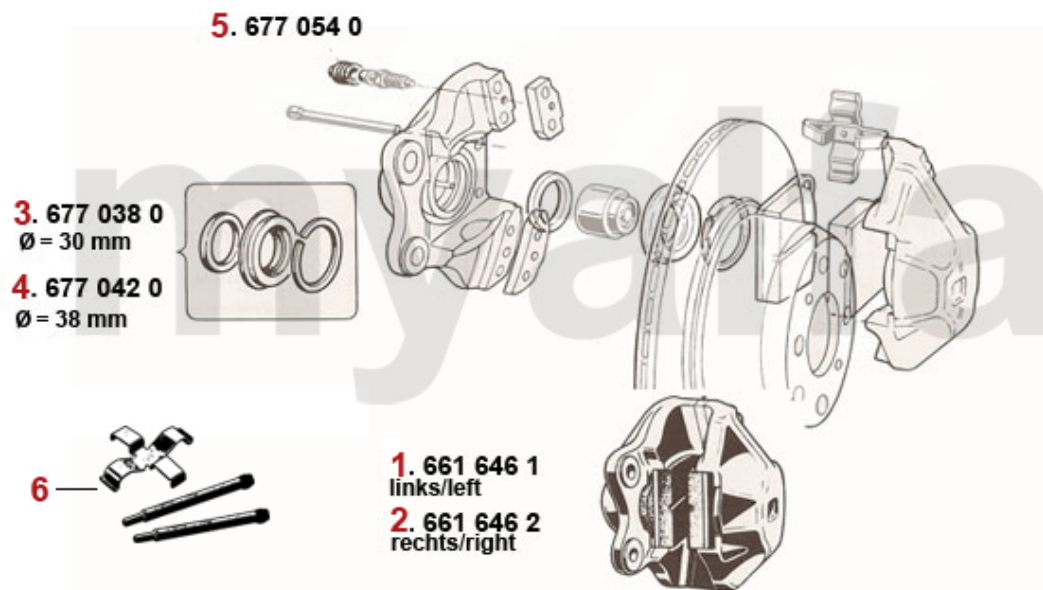
**SEK383.64**



<b>0</b>	<b>4380170</b>	<b>CLUTCH SLAVE CYLINDER 105/115 BENDITALIA</b>	<b>SEK1,078.50</b>
<b>1</b>	<b>4380120</b>	<b>CLUTCH MASTER CYLINDER HANGING PEDALS</b>	<b>SEK1,119.30</b>
<b>2</b>	<b>4380140</b>	<b>CLUTCH SLAVE CYLINDER 105/115 OE-QUALITY</b>	<b>SEK804.47</b>
<b>3</b>	<b>4380210</b>	<b>CLUTCH RESERVOIRE WITH CAP HANGING PEDALS</b>	<b>SEK640.75</b>
<b>4</b>	<b>4380200</b>	<b>CAP BRAKE / CLUTCH RESERVIORE HANGING PEDALS</b>	<b>SEK138.75</b>

1	5340220	CASTOR ARM BALL JOINT	SEK395.30
2	5350200	TOP ARM INNER BUSH	SEK138.75
3	5340210	CASTOR ARM BUSH 23 mm HIGH	SEK135.28
4	5350460	SPACER (SET) FOR CASTOR ARM BUSH 19mm	SEK92.13
5	5330191	TOP SUSPENSION ARM LEFT WITH BUSHINGS WITHOUT CAP CASTOR ARM BUSH	SEK1,048.26
5	5330192	TOP SUSPENSION ARM RIGHT WITH BUSHINGS WITHOUT CAP CASTOR ARM BUSH	SEK1,048.26
6	5331650	SET ADJUSTABLE TOP ARMS WITH BUSHINGS WITHOUT CASTOR ARM BUSH	On request
6	5331651	ADJUSTABLE TOP ARM LEFT WITH BUSHINGS WITHOUT CAP CASTOR ARM BUSH	SEK1,778.08
6	5331652	ADJUSTABLE TOP ARM RIGHT WITH BUSHINGS WITHOUT CAP CASTOR ARM BUSH	SEK1,778.08
7	5190680	WISHBONE BUSH END CAP	SEK80.48
8	5191150	TAB WASHER BOTTOM WISHBONE BUSH	SEK57.17
9	5350240	BOTTOM WISHBONE BUSH	SEK520.04
10	5331120	WISHBONE USED	On request
11	5331170	FRONT WISHBONE ARM USED	On request
12	5331180	REAR WISHBONE ARM USED	On request
13	5190580	LOWER BUMP STOP FRONT WITH BOLT	SEK197.03
14	5521191	BUMP STOP PLATE LEFT	On request
14	5521192	BUMP STOP PLATE RIGHT	On request
15	5191210	NUT SPRING PAN SCREW	SEK23.31
16	5191220	BOLT SHOCK ABSORBER 105 / 115 / MONTREAL	SEK250.72
17	2280170	SCREW BALL JOINT HIGH STRENGTH	SEK75.76
18	5191240	SAFETY NUT BOTTOM BALL JOINT	On request
19	5330230	BOTTOM BALL JOINT	SEK413.89
20	5190260	UPPER BUMP STOP 1969-93	SEK103.79

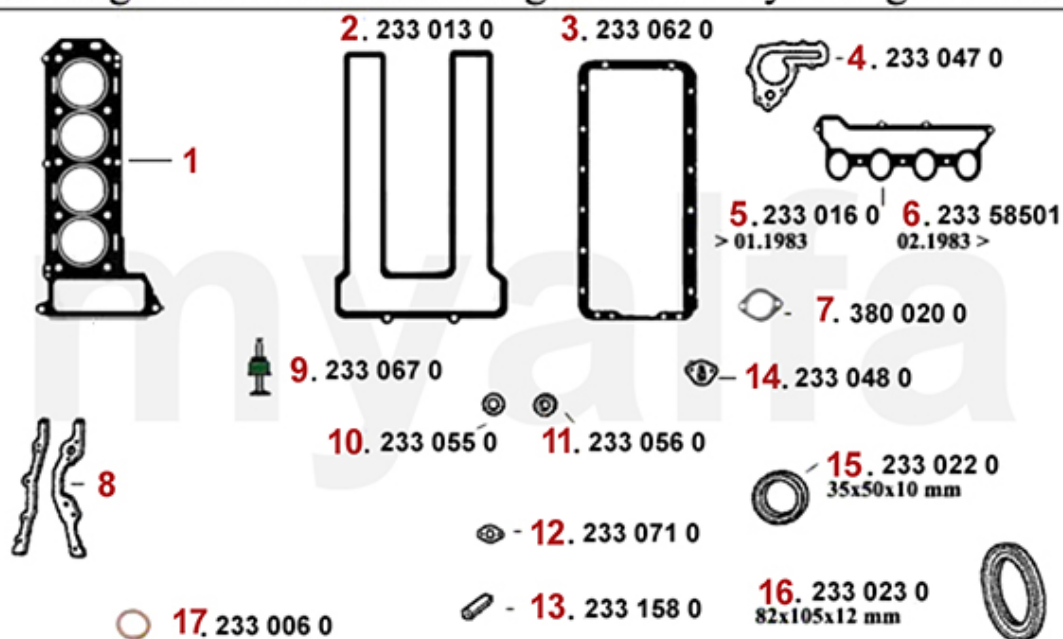
# Bremssattel/Caliper Montreal hinten/rear



<b>1</b>	<b>6616461</b>	<b>BRAKE CALIPER MONTREAL REAR LEFT</b>	<b>SEK2,498.06</b>
<b>2</b>	<b>6616462</b>	<b>BRAKE CALIPER MONTREAL REAR RIGHT</b>	<b>SEK2,498.06</b>
<b>3</b>	<b>6770380</b>	<b>BRAKE CALIPER REBUILD KIT 1964-66 ATE (30 mm), PREMIUM</b>	<b>SEK687.92</b>
<b>4</b>	<b>6770420</b>	<b>BRAKE CALIPER REBUILD KIT 1967-93 REAR ATE, 38mm PISTONS</b>	<b>SEK277.50</b>
<b>5</b>	<b>6770540</b>	<b>CAP BLEEDER SCREW</b>	<b>SEK18.04</b>
<b>6</b>	<b>6500200</b>	<b>RETAINING PIN SET FOR REAR BRAKE PADS MONTREAL</b>	<b>SEK227.41</b>

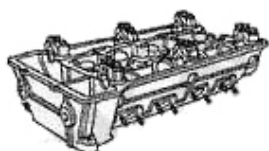
<b>1</b>	<b>8620470</b>	<b>WATER TEMPERATUR SENDER</b>	<b>SEK231.99</b>
<b>2</b>	<b>8610190</b>	<b>OIL PRESSURE SENDER JAEGER / VEGLIA SERIES 2</b>	<b>SEK558.47</b>
<b>2</b>	<b>8610180</b>	<b>OIL PRESSURE SENDER JAEGER 1st SERIES (SHORT VERSION)</b>	<b>SEK641.30</b>
<b>3</b>	<b>8410390</b>	<b>OIL PRESSURE SWITCH</b>	<b>SEK180.79</b>
<b>4</b>	<b>8640150</b>	<b>REVERS LIGHT SWITCH SCREW-IN</b>	<b>SEK185.37</b>
<b>5</b>	<b>8420750</b>	<b>INDICATOR/FLASHER PLASTIC RELAY 4 PIN</b>	<b>SEK230.88</b>
<b>6</b>	<b>2631050</b>	<b>THERMO SWITCH MONTREAL 88°/79° C</b>	<b>SEK285.69</b>

## Dichtungen Motor/Gaskets Engine 116 4-Cyl. Vergaser/Carb.



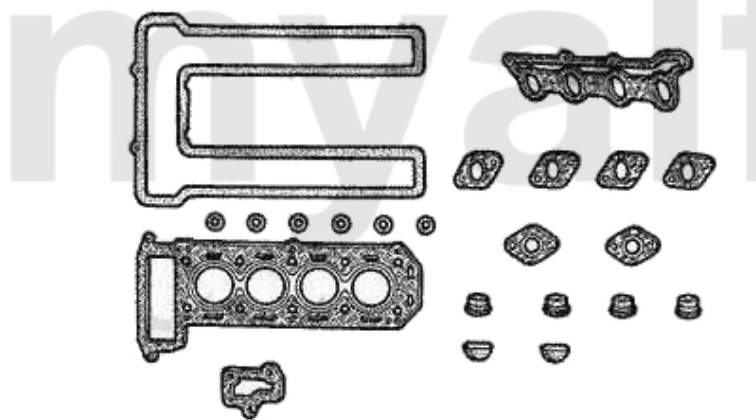
1	2330440	HEAD GASKET 1600 REINZ BEST QUALITY	SEK581.78
1	2330450	HEAD GASKET 1750 REINZ BEST QUALITY	SEK553.89
1	2330460	HEAD GASKET 2000 REINZ BEST QUALITY	SEK647.13
1	2330690	HEAD GASKET 1600 COPPER - 1.85 MM	SEK832.50
1	2330680	HEAD GASKET 2000 COPPER - 1,85MM	SEK832.50
2	2330130	CAM COVER GASKET WITH SILICONE STRIP	SEK306.64
2	2330650	VALVE COVER GASKET REINZ (2mm)	SEK442.47
3	2330620	UPPER SUMP GASKET WITH SILICONE STRIP	SEK378.93
4	2330470	WATERPUMP GASKET - 105, 115, 101 1600 - FOR MECHNICAL REV-COUNTER	SEK66.46
5	2330160	INTAKE MANIFOLD GASKET 1600-2000 CARBURETTOR MODELS FROM 1968 ON	SEK158.59
6	23358501	INTAKE MANIFOLD GASKET SPIDER 1600 1990-93	SEK220.34
7	3800200	GASKET CYLINDER HEAD / EXHAUST MANIFOLD	SEK43.15
8	2331330	TIMING COVER GASKET SET (5pc)	SEK185.37
9	2330670	VALVE SEAL reinforced inlet/black	On request
10	2330550	CAM COVER SCREW GASKET ALUMINIUM (SET 2PC) 750/101/102/106/105/116	SEK37.32
11	2330560	CAM COVER SCREW GASKET FIBRE	SEK68.82
12	2330710	GASKET REV COUNTER ALIGNMENT	SEK33.86
13	2331550	MAIN BEARING 'CIGARETTE' OIL SEAL	SEK46.07
14	2330480	FUEL PUMP GASKET	SEK28.03
15	2330220	OIL SEAL CRANK SHAFT FRONT 35/50/10	SEK110.72
16	2330230	OIL SEAL CRANK SHAFT REAR 82/105/12 750/101/105/115/116 UP TO 1989, OEM QUALITY	SEK383.64
17	2330060	SUMP PLUG WASHER SUMP / TRANSMISSION / DIFFERENTIAL	SEK18.59

# Kopfdichtsatz/Head Set Giulietta (116) Vergaser/Carb.



## **Achtung/Attention:**

Dichtsatz ohne Kopfdichtung, bitte separat bestellen! / Headset without HEADGASKET, please order separate!



**1.** 232 032 0  
1300-2000 ccm

**2.** 232 357 20  
1.8 Turbo

**1** 2321320 HEAD GASKET SET WITHOUT CYLINDER HEAD GASKET  
CARBURETTOR FROM 1982 ON

**SEK641.30**

**2** 23235720 Kopfdichtsatz 1.8 Turbo

**SEK1,853.84**

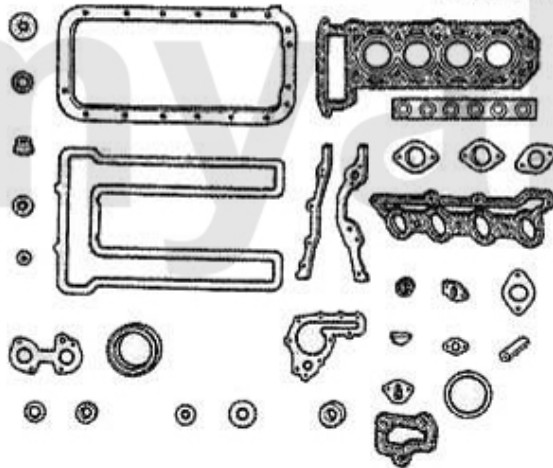


# Motordichtsatz/Full Set Giulietta (116)



## Achtung/Attention:

In den Dichtsätzen 231 0400, 231 0410 & 231 0390 sind Zylinderkopfdichtung und Wellendichtringe nicht enthalten, bitte separat bestellen! The sets 231 0400 & 231 0410 are without HEADGASKET and OILSEALS, please order it separate!



**1 . 231 0390**  
1300 ccm

**2 . 231 0400**  
1600 ccm

**3 . 231 4220**  
1800 ccm/Turbo

**4 . 231 0410**  
2000 ccm

<b>1</b>	<b>2310390</b>	<b>ENGINE GASKET SET 1300 WITHOUT HEAD GASKET AND OIL</b>	<b>On request</b>
<b>2</b>	<b>2310400</b>	<b>ENGINE GASKET SET 1600 WITHOUT HEAD GASKET AND OIL SEALS</b>	<b>On request</b>
<b>3</b>	<b>23142200</b>	<b>OE. 60778180 FULL SET</b>	<b>SEK2,506.80</b>
<b>4</b>	<b>2310410</b>	<b>ENGINE GASKET SET 2000 WITHOUT HEAD GASKET AND OIL</b>	<b>On request</b>

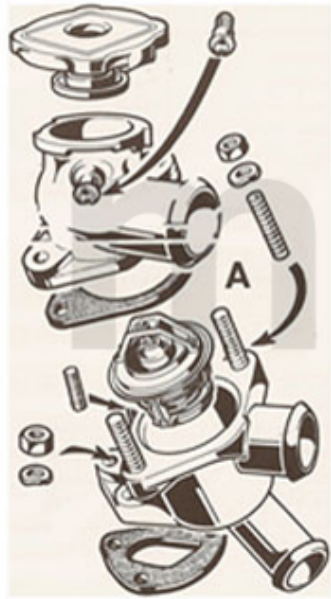


<b>1</b>	<b>2910050</b>	<b>SPIN-ON STYLE OIL FILTER</b>	<b>SEK115.44</b>
<b>1</b>	<b>2910230</b>	<b>OILFILTER ORANGE - ORIGINAL RETRO DESIGN</b>	<b>SEK208.68</b>
<b>1</b>	<b>2910220</b>	<b>SPIN-ON STYLE OIL FILTER ORIGINAL Alfa Romeo</b>	<b>SEK173.72</b>
<b>2</b>	<b>2920310</b>	<b>SET AIR FILTERS MONTREAL</b>	<b>SEK1,037.71</b>
<b>3</b>	<b>2526450</b>	<b>SET WING NUTS FOR MONTREAL AIR FILTER HOUSING (6 PC)</b>	<b>SEK931.57</b>
<b>4</b>	<b>2936460</b>	<b>FUEL FILTER Tank MONTREAL</b>	<b>SEK543.35</b>
<b>5</b>	<b>2936470</b>	<b>FUEL FILTER MONTREAL</b>	<b>SEK395.30</b>
<b>6</b>	<b>2936450</b>	<b>OIL FILTER INJECTION PUMP SPICA MONTREAL</b>	<b>SEK465.23</b>

<b>1</b>	<b>1166461</b>	<b>OUTER SILL MONTREAL LEFT</b>	<b>SEK4,616.07</b>
<b>1</b>	<b>1166462</b>	<b>OUTER SILL MONTREAL RIGHT</b>	<b>SEK4,616.07</b>
<b>2</b>	<b>1166451</b>	<b>MIDDLE SILL MONTREAL LEFT</b>	<b>SEK3,019.89</b>
<b>2</b>	<b>1166452</b>	<b>MIDDLE SILL MONTREAL RIGHT</b>	<b>SEK3,019.89</b>
<b>3</b>	<b>1166471</b>	<b>TOP SILL PANEL MONTREAL LEFT</b>	<b>SEK2,670.11</b>
<b>3</b>	<b>1166472</b>	<b>TOP SILL PANEL MONTREAL RIGHT</b>	<b>SEK2,670.11</b>
<b>4</b>	<b>1196441</b>	<b>LEFT OUTER SILL TRIM MONTREAL</b>	<b>SEK5,072.01</b>
<b>4</b>	<b>1196442</b>	<b>RIGHT OUTER SILL TRIM MONTREAL</b>	<b>SEK5,072.01</b>

# Thermostat Montreal

---

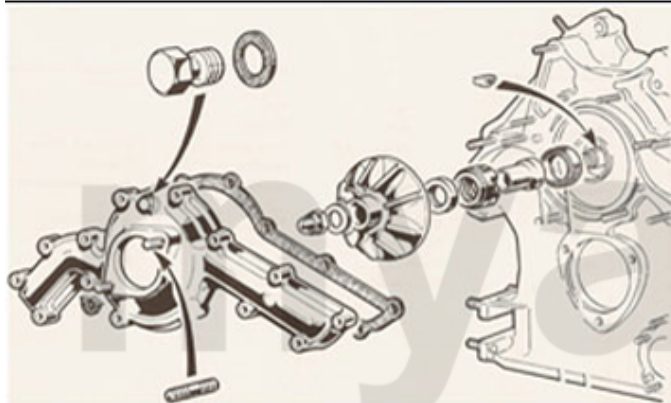


1. 263 005 0

1 2630050 THERMOSTAT MONTREAL 79 DEGREE CELSIUS

SEK465.23

# Wasserpumpe/Waterpump Montreal



1. 262 645 0



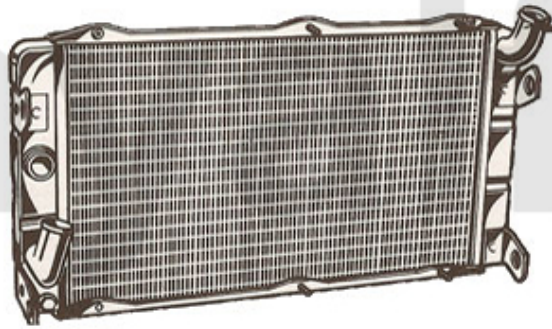
1 2626450 REPAIR KIT WATERPUMP MONTREAL

SEK3,152.82

# Motorkühler/Radiator Montreal

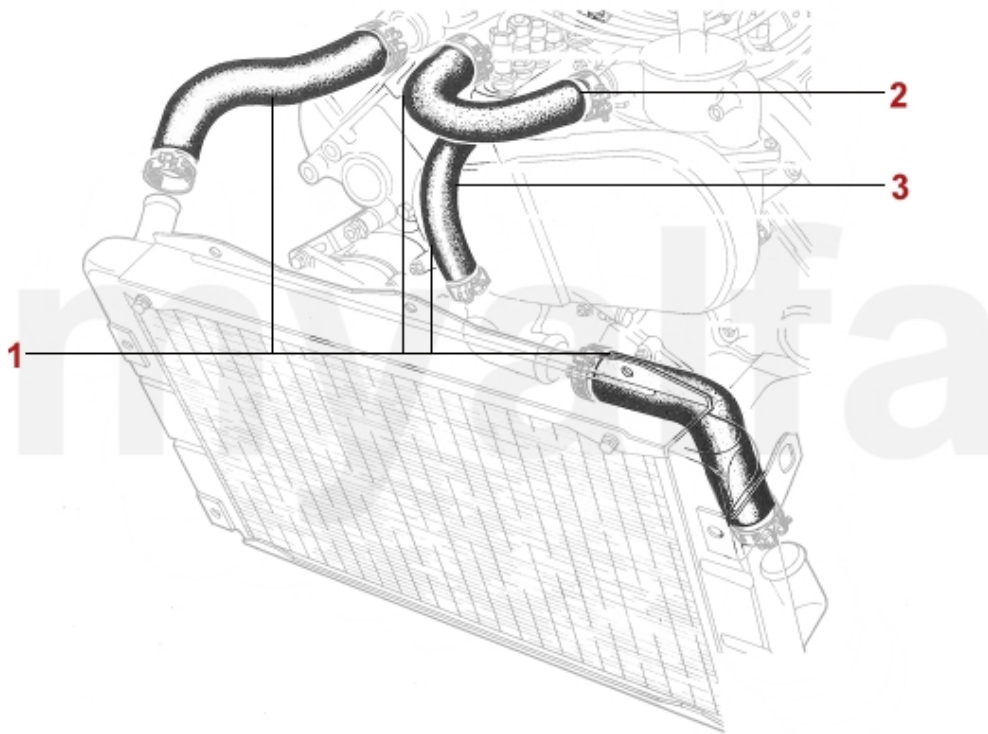
---

1. 261 645 0



1 2616450 RADIATOR MONTREAL EXCHANGE

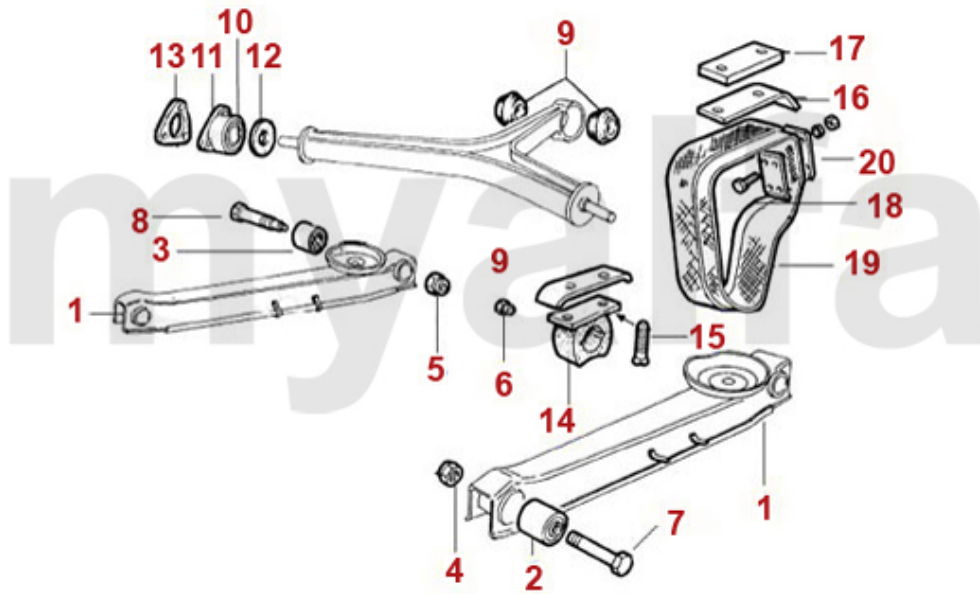
SEK6,943.33



<b>1</b>	<b>2660730</b>	<b>SET (4pc) COOLANT HOSES MONTREAL</b>	<b>SEK1,620.74</b>
<b>2</b>	<b>26615761</b>	<b>RADIATOR HOSE MONTREAL CYLINDER HEAD BYPASS</b>	<b>On request</b>
<b>3</b>	<b>26615764</b>	<b>RADIATOR HOSE WATER PUMP CYLINDER HEAD MONTREAL</b>	<b>On request</b>



# Aufhängung hinten /Attachment rear Montreal



<b>1</b>	<b>5320310</b>	<b>REAR TRAILING ARM 1968-93, WITHOUT BUSHINGS</b>	<b>SEK1,375.85</b>
<b>2</b>	<b>5341090</b>	<b>FRONT TRAILING ARM BUSH 1968-93, DIAMETER 50 mm HEAVY DUTY</b>	<b>SEK299.70</b>
<b>3</b>	<b>5341100</b>	<b>REAR TRAILING ARM BUSH 1962-93, HEAVY DUTY</b>	<b>SEK299.70</b>
<b>4</b>	<b>5190650</b>	<b>SAFETY NUT FRONT SCREW TRAILING ARM</b>	<b>SEK45.51</b>
<b>5</b>	<b>5350660</b>	<b>BIG SAFETY NUT FOR TRAILING ARM BOLT</b>	<b>SEK50.09</b>
<b>6</b>	<b>5350670</b>	<b>SMALL SAFETY NUT FOR TRAILING ARM BOLT</b>	<b>SEK19.29</b>
<b>7</b>	<b>5190910</b>	<b>FRONT SCREW TRAILING ARM</b>	<b>SEK80.48</b>
<b>8</b>	<b>5350920</b>	<b>BOLT FOR REAR OF TRAILING ARM</b>	<b>SEK250.72</b>
<b>9</b>	<b>5351460</b>	<b>T-BAR CONICAL BUSH HEAVY DUTY</b>	<b>SEK92.69</b>
<b>10</b>	<b>5350551</b>	<b>T-BAR END BUSH</b>	<b>SEK348.68</b>
<b>11</b>	<b>5350552</b>	<b>T-BAR END BUSH HOUSING</b>	<b>SEK454.68</b>
<b>12</b>	<b>5350970</b>	<b>T-BAR END RUBBER WASHER RUBBER</b>	<b>SEK61.74</b>
<b>13</b>	<b>5351860</b>	<b>T-BAR SPACER 2 mm</b>	<b>On request</b>
<b>14</b>	<b>5190270</b>	<b>UPPER BUMP STOP REAR AXLE VERSION FOR 31mm REBOUND STRAP</b>	<b>SEK173.72</b>
<b>15</b>	<b>5190590</b>	<b>SCREW REAR UPPER BUMP STOP</b>	<b>SEK28.03</b>
<b>16</b>	<b>5190540</b>	<b>REBOUND STRAP GUIDE PANEL UNDER UPPER BUMP STOP REAR AXLE TWO BENDED ENDS</b>	<b>SEK150.41</b>
<b>17</b>	<b>5190870</b>	<b>Bump Stop Spacer</b>	<b>SEK476.88</b>
<b>18</b>	<b>4540361</b>	<b>OUTER REBOUND STRAP REAR 31 mm</b>	<b>SEK145.69</b>
<b>19</b>	<b>4540362</b>	<b>INNER REBOUND STRAP REAR 31 mm</b>	<b>SEK145.69</b>
<b>20</b>	<b>5190530</b>	<b>FITTING KIT FOR ONE REBOUND STRAP 31 mm</b>	<b>SEK150.41</b>

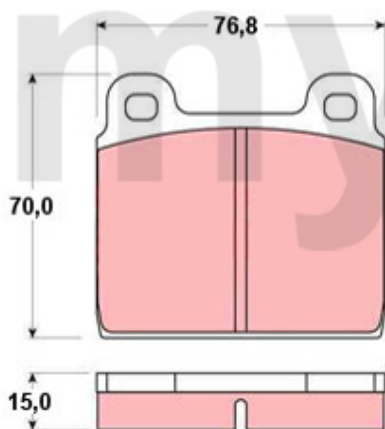
# Bremsbeläge/Brake Pads Montreal

## vorne/front:

**1. 630 005 F**  
Ferodo std.

**2. 630 098 0**  
Ferodo Racing  
DS2500

**3. 630 089 0**  
Ferodo Racing  
DS3000

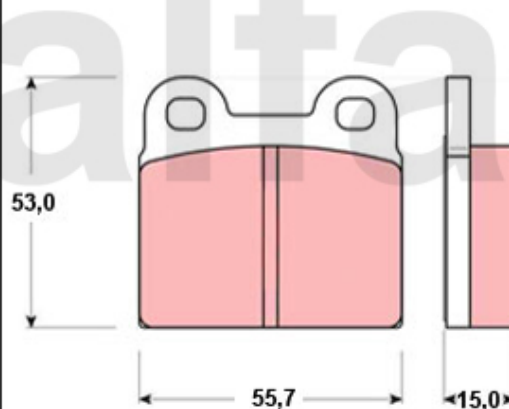


## hinten/rear:

**4. 630 006 F**  
Ferodo std.

**5. 630 099 0**  
Ferodo Racing  
DS2500

**6. 630 090 0**  
Ferodo Racing  
DS3000



<b>1</b>	<b>630005F</b>	<b>BRAKE PADS 1750/2000, 1600 1986-93 FRONT, OEM QUALITY</b>	<b>SEK496.73</b>
<b>2</b>	<b>6300980</b>	<b>BRAKE PADS 1750/2000, 1600 1986-93 FRONT FERODO RACING DS2500</b>	<b>SEK1,807.22</b>
<b>3</b>	<b>6300890</b>	<b>BRAKE PADS 1750/2000, 1600 1986-93 FRONT FERODO RACING DS3000</b>	<b>SEK1,690.67</b>
<b>4</b>	<b>630006F</b>	<b>BRAKE PADS 1300-2000 1966-93 REAR, OEM QUALITY</b>	<b>SEK425.55</b>
<b>5</b>	<b>6300990</b>	<b>BRAKE PADS 1300-2000 REAR FERODO RACING DS2500</b>	<b>SEK1,445.78</b>
<b>6</b>	<b>6300900</b>	<b>BRAKE PADS 1300-2000 REAR FERODO RACING DS3000</b>	<b>SEK1,603.26</b>

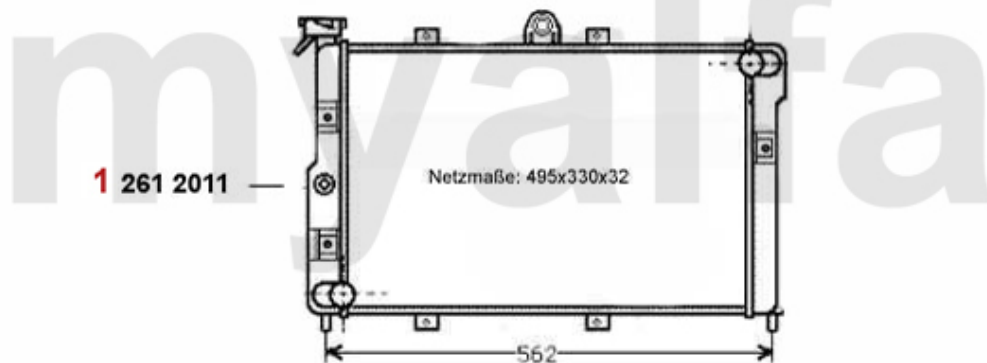
# Installationsmaterial/Installation Material Montreal



<b>1</b>	<b>8430960</b>	<b>HAZARD UPGRADE KIT 12V HELLA</b>	<b>SEK1,853.84</b>
<b>2</b>	<b>8701120</b>	<b>HORN SET LOW / HIGH</b>	<b>SEK532.80</b>
<b>3</b>	<b>87046010</b>	<b>ANTENNA STAINLESS STEEL</b>	<b>SEK208.68</b>
<b>4</b>	<b>9822250</b>	<b>BATTERY LIFE SAFER</b>	<b>SEK448.86</b>
<b>5</b>	<b>8421540</b>	<b>POWER RELAY</b>	<b>SEK185.37</b>
<b>6</b>	<b>1190190</b>	<b>ELECTRIC WINDOW MOTOR SPIDER 1990-93 / MONTREAL / ALFETTA GTV</b>	<b>SEK1,504.05</b>

# Kühler/Radiator Giulietta (116) 1.3

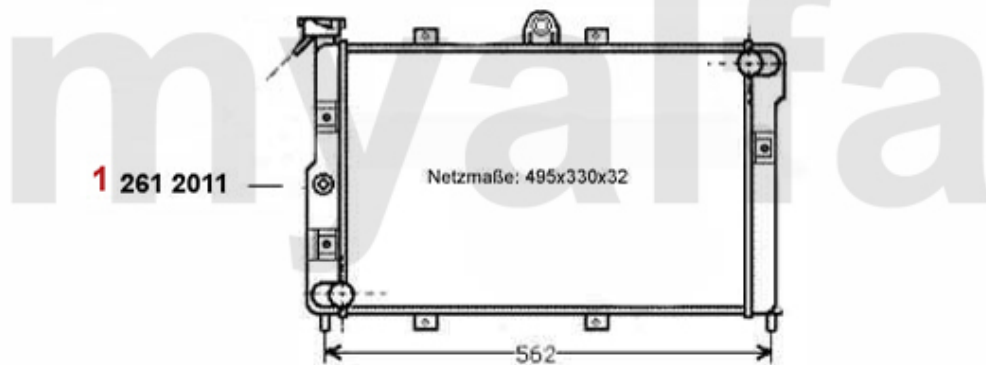
---



- 1 2612011 Motorkühler Alfetta 1.6 Bj. 75-84 Giulietta 1.3/1.6 Bj. 10.77>  
ACHTUNG: auf Netzmaße acht

*On request*

# Kühler/Radiator Giulietta (116) 1.6

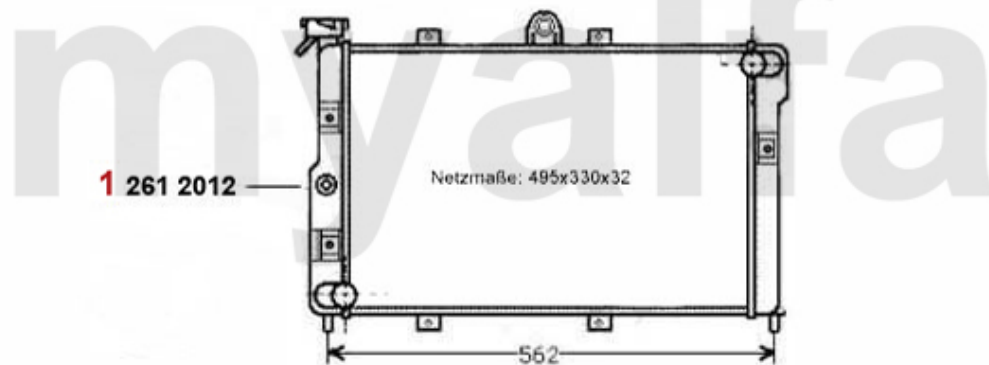


- 1 2612011 Motorkühler Alfetta 1.6 Bj. 75-84 Giulietta 1.3/1.6 Bj. 10.77>  
ACHTUNG: auf Netzmaße acht

*On request*

# Kühler/Radiator Giulietta (116) 1.8

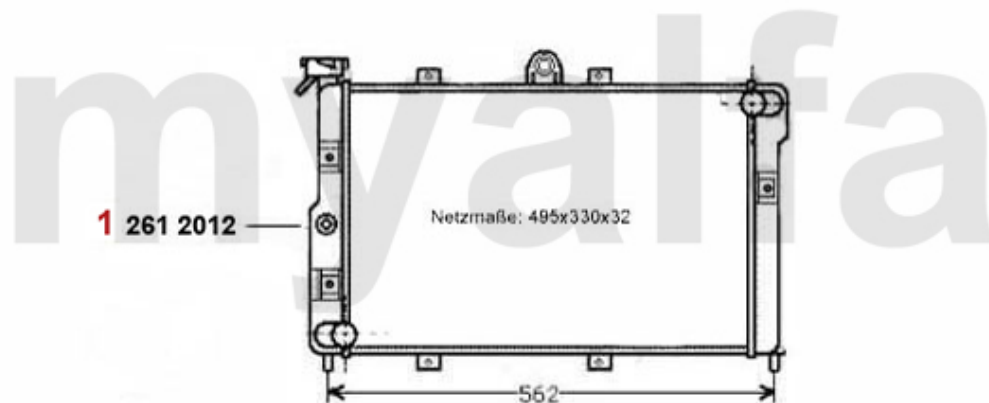
---



**1 2612012** *Motorkühler Alfetta/Giulietta 1.8/ 2.0 Bj. 78-85 ACHTUNG: auf Netzmaße achten!!!*

*On request*

# Kühler/Radiator Giulietta (116) 2.0



**1 2612012** *Motorkühler Alfetta/Giulietta 1.8/ 2.0 Bj. 78-85 ACHTUNG: auf Netzmaße achten!!!*

*On request*

# Termostat Giulietta (116) 1.3

---

**1** 263 0090



**1** 2630090 *OE. 60516212 / 60713535 THERMOSTAT 2000 IN HOUSING  
CARBURETTOR MODELS*

**SEK441.92**



# Thermostat Giulietta (116) 1.6

---

**1** 263 0090



**1** 2630090 **OE. 60516212 / 60713535 THERMOSTAT 2000 IN HOUSING  
CARBURETTOR MODELS**

**SEK441.92**

# Termostat Giulietta (116) 1.8

---

**1** 263 0090



**1** 2630090 *OE. 60516212 / 60713535 THERMOSTAT 2000 IN HOUSING  
CARBURETTOR MODELS*

**SEK441.92**

# Thermostat Giulietta (116) 1.8 Turbo

---

**1** 263 0090



**1** 2630090 OE. 60516212 / 60713535 THERMOSTAT 2000 IN HOUSING  
CARBURETTOR MODELS

**SEK441.92**

# Termostat Giulietta (116) 2.0

---

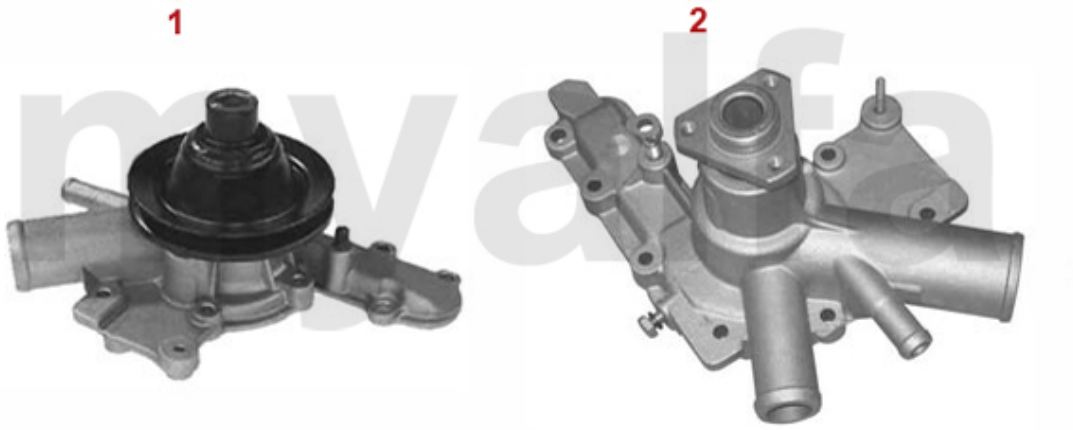
1 263 0090



1 2630090 OE. 60516212 / 60713535 THERMOSTAT 2000 IN HOUSING  
CARBURETTOR MODELS

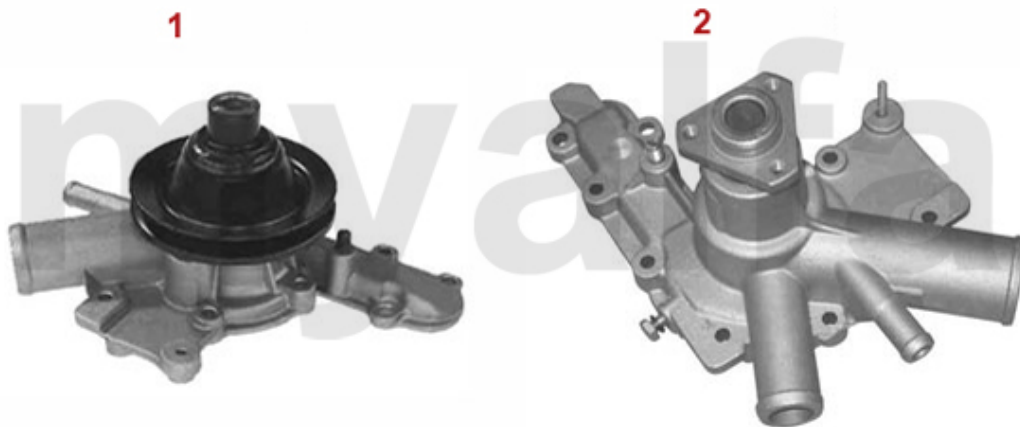
SEK441.92

# Wasserpumpe/Waterpump Giulietta (116) 1.6



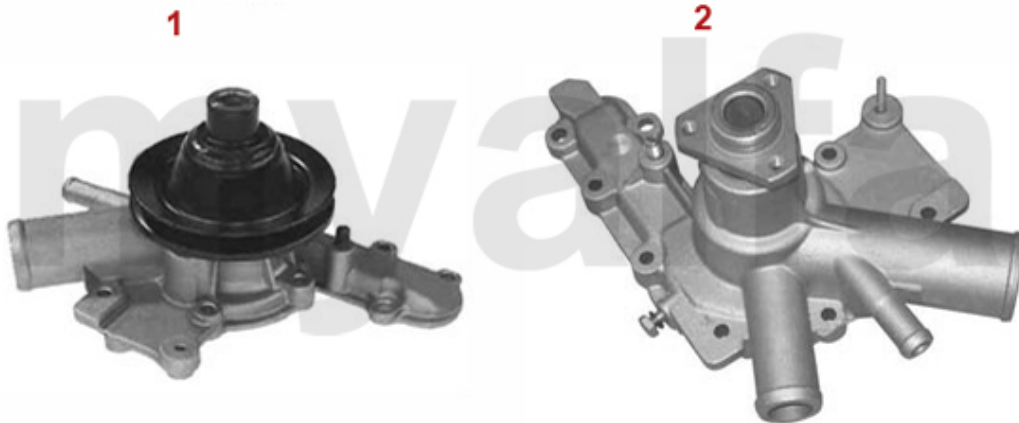
<b>1</b>	<b>262510</b>	<b>OE. 60730469/60523035 WATERPUMP 75, ALFETTA, GIULIETTA, GTV (116), WITH PULLEY, WITHOUT REV METER CONNECTION</b>	<b>SEK921.16</b>
<b>2</b>	<b>2620430</b>	<b>WATER PUMP 2000 IE ELECTRIC FAN</b>	<b>SEK1,340.88</b>

# Wasserpumpe/Waterpump Giulietta (116) 1.3



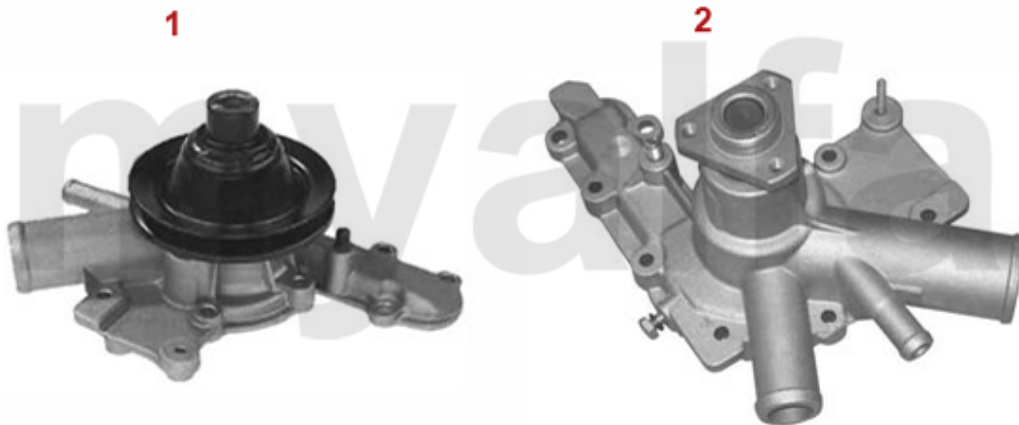
<b>1</b>	<b>262510</b>	<b>OE. 60730469/60523035 WATERPUMP 75, ALFETTA, GIULIETTA, GTV (116), WITH PULLEY, WITHOUT REV METER CONNECTION</b>	<b>SEK921.16</b>
<b>2</b>	<b>2620430</b>	<b>WATER PUMP 2000 IE ELECTRIC FAN</b>	<b>SEK1,340.88</b>

# Wasserpumpe/Waterpump Giulietta (116) 1.8



<b>1</b>	<b>262510</b>	<b>OE. 60730469/60523035 WATERPUMP 75, ALFETTA, GIULIETTA, GTV (116), WITH PULLEY, WITHOUT REV METER CONNECTION</b>	<b>SEK921.16</b>
<b>2</b>	<b>2620430</b>	<b>WATER PUMP 2000 IE ELECTRIC FAN</b>	<b>SEK1,340.88</b>

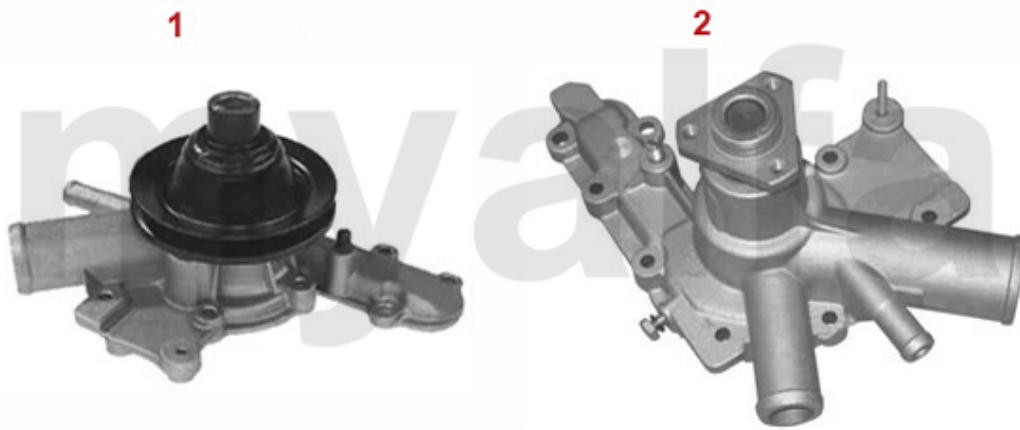
## Wasserpumpe/Waterpump Giulietta (116) 1.8 Turbo



<b>1</b>	<b>262510</b>	<b>OE. 60730469/60523035 WATERPUMP 75, ALFETTA, GIULIETTA, GTV (116), WITH PULLEY, WITHOUT REV METER CONNECTION</b>	<b>SEK921.16</b>
<b>2</b>	<b>2620430</b>	<b>WATER PUMP 2000 IE ELECTRIC FAN</b>	<b>SEK1,340.88</b>



# Wasserpumpe/Waterpump Giulietta (116) 2.0

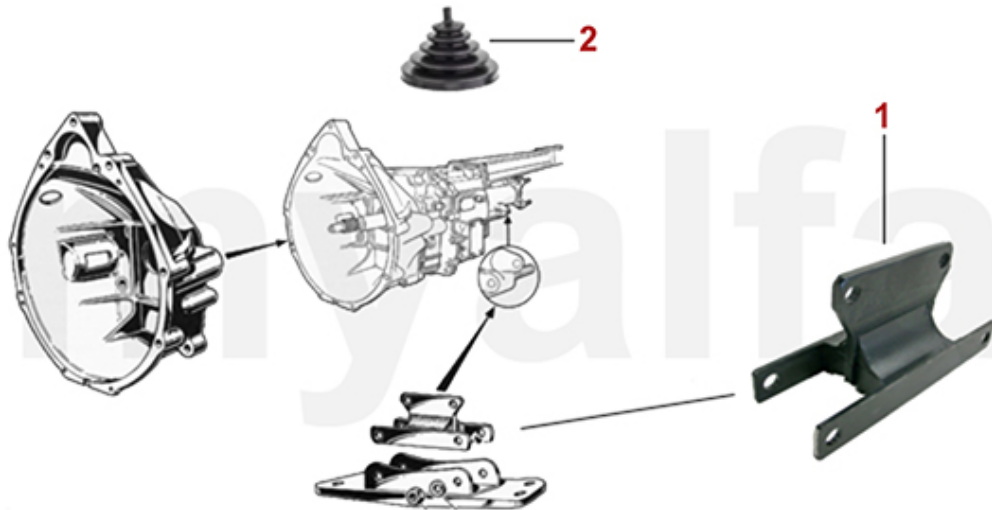


<b>1</b>	<b>262510</b>	<b>OE. 60730469/60523035 WATERPUMP 75, ALFETTA, GIULIETTA, GTV (116), WITH PULLEY, WITHOUT REV METER CONNECTION</b>	<b>SEK921.16</b>
<b>2</b>	<b>2620430</b>	<b>WATER PUMP 2000 IE ELECTRIC FAN</b>	<b>SEK1,340.88</b>

<b>1</b>	<b>26630560</b>	<b>OE. 60730560 UPPER RADIATOR HOSE ALFETTA/GIULIETTA 116 FROM 1982 ON</b>	<b>SEK337.02</b>
<b>2</b>	<b>2660170</b>	<b>RADIATOR HOSE THERMOSTAT/ WATER PUMP CARBURETTOR MODELS</b>	<b>SEK173.72</b>
<b>3</b>	<b>26630558</b>	<b>LOWER COOLING WATER HOSE ALFETTA 2nd SERIES 1.6 1982&gt; /GIULIETTA 1st SERIES &gt;3.79</b>	<b>SEK257.66</b>
<b>4</b>	<b>26630559</b>	<b>OE. 60730559 LOWER RADIATOR HOSE ALFETTA/GIULIETTA 116 1982&gt;</b>	<b>SEK277.50</b>
<b>5</b>	<b>2680060</b>	<b>RADIATOR CAP SQUARE TYPE MODELS WITH EXPANSION TANK</b>	<b>SEK145.69</b>

# Getriebe Anbauteile/Gear Mount Montreal

---



- 1** 4126410 REAR TRANSMISSION MOUNT MONTREAL
- 2** 4130080 GEARSTICK GAITER MONTREAL

SEK2,786.66  
SEK1,040.63

# Kupplung/Clutch Montreal

---



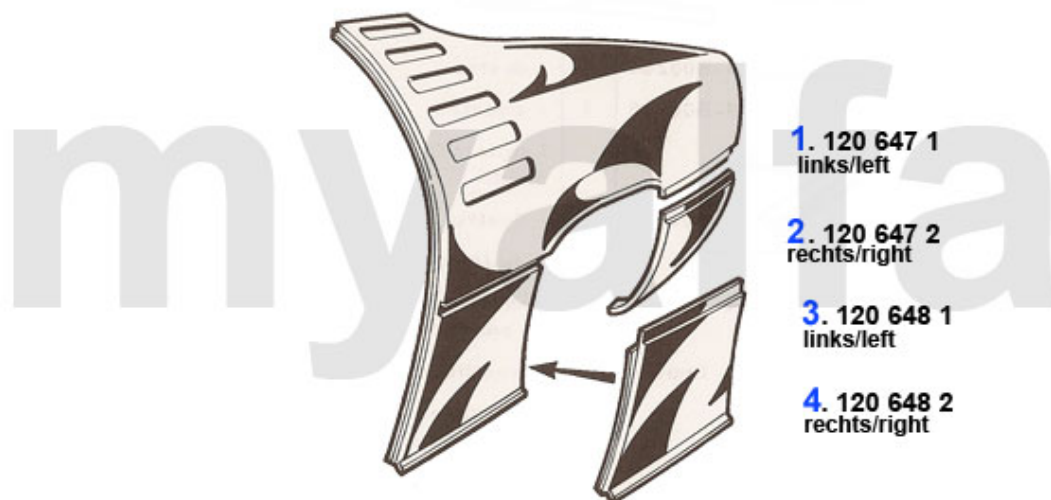
<b>1</b>	<b>4344120</b>	<b>CLUTCH DISC MONTREAL</b>	<b>SEK2,669.97</b>
<b>2</b>	<b>4332300</b>	<b>PRESSURE PLATE MONTREAL</b>	<b>SEK3,451.27</b>
<b>3</b>	<b>4350330</b>	<b>CLUTCH RELEASE BEARING HYDRAULIC FICHTEL &amp; SACHS</b>	<b>SEK921.16</b>

<b>0</b>	<b>4380170</b>	<b>CLUTCH SLAVE CYLINDER 105/115 BENDITALIA</b>	<b>SEK1,078.50</b>
<b>1</b>	<b>4380120</b>	<b>CLUTCH MASTER CYLINDER HANGING PEDALS</b>	<b>SEK1,119.30</b>
<b>2</b>	<b>4380140</b>	<b>CLUTCH SLAVE CYLINDER 105/115 OE-QUALITY</b>	<b>SEK804.47</b>
<b>3</b>	<b>4380210</b>	<b>CLUTCH RESERVOIRE WITH CAP HANGING PEDALS</b>	<b>SEK640.75</b>
<b>4</b>	<b>4380200</b>	<b>CAP BRAKE / CLUTCH RESERVIORE HANGING PEDALS</b>	<b>SEK138.75</b>

<b>10</b>	<b>4440020</b>	<b>UNIVERSAL JOINT MONTREAL</b>	<b>SEK675.71</b>
<b>15</b>	<b>4420060</b>	<b>FRONT DOUGHNUT COUPLING MONTREAL</b>	<b>SEK2,087.08</b>
<b>20</b>	<b>4430220</b>	<b>PROPSHAFT CENTRE SUPPORT 1968-93 HEAVY DUTY</b>	<b>SEK728.72</b>
<b>21</b>	<b>4430030</b>	<b>PROPSHAFT CENTRE SUPPORT BEARING ORIGINAL QUALITY</b>	<b>SEK185.37</b>
<b>21</b>	<b>4430010</b>	<b>PROPSHAFT CENTER SUPPORT BEARING FAG</b>	<b>SEK303.17</b>
<b>22</b>	<b>4440120</b>	<b>RETAINING CLIP PROPSHAFT CENTRE SUPPORT BEARING</b>	<b>SEK34.97</b>

<b>1</b>	<b>5441560</b>	<b>WHEEL BEARING KIT REAR 1972-93 WITH SHRINK RING</b>	<b>SEK738.01</b>
<b>1</b>	<b>5441570</b>	<b>SKF WHEEL BEARING SET 1972-93</b>	<b>SEK1,340.88</b>
<b>2</b>	<b>2330280</b>	<b>OIL SEAL WHEEL BEARING REAR 1300-2000 1972-93 52/34/10</b>	<b>SEK110.72</b>
<b>3</b>	<b>4530510</b>	<b>DIFFERENTIAL CASE BEARING 2000</b>	<b>SEK515.32</b>
<b>4</b>	<b>2331110</b>	<b>OIL SEAL DIFFERENTIAL MONTREAL</b>	<b>SEK134.03</b>
<b>5</b>	<b>4541930</b>	<b>TAB WASHER (SET 2) AXLE PIPE RIGHT</b>	<b>SEK68.82</b>
<b>6</b>	<b>4541840</b>	<b>TAB WASHER AXLE PIPE LEFT</b>	<b>SEK33.86</b>
<b>7</b>	<b>4541940</b>	<b>TAB WASHER (SET 2) AXLE PIPE LEFT</b>	<b>SEK173.72</b>
<b>8</b>	<b>2330330</b>	<b>DIFFERENTIAL OIL PAN GASKET 2000</b>	<b>SEK96.15</b>
<b>9</b>	<b>4536410</b>	<b>DIFFERENTIAL SUMP MONTREAL / GTA AUTODELTA</b>	<b>SEK6,354.47</b>
<b>10</b>	<b>2280110</b>	<b>SUMP PLUG WITH MAGNET TRANSMISSION/DIFFERENTIAL 750/101, 105/115</b>	<b>SEK122.38</b>
<b>11</b>	<b>2330060</b>	<b>SUMP PLUG WASHER SUMP / TRANSMISSION / DIFFERENTIAL</b>	<b>SEK18.59</b>
<b>12</b>	<b>2280100</b>	<b>OIL FILLER SCREW , HEXAGON SOCKET, TRANS MISSION/DIFFERENTIAL M22x1.5</b>	<b>SEK92.13</b>
<b>13</b>	<b>4536440</b>	<b>STOP RUBBER DIFFERENTIAL / BODY 105/115</b>	<b>SEK192.45</b>

## Karosserieteile hinten/Body Parts rear Montreal



1. 120 647 1  
links/left

2. 120 647 2  
rechts/right

3. 120 648 1  
links/left

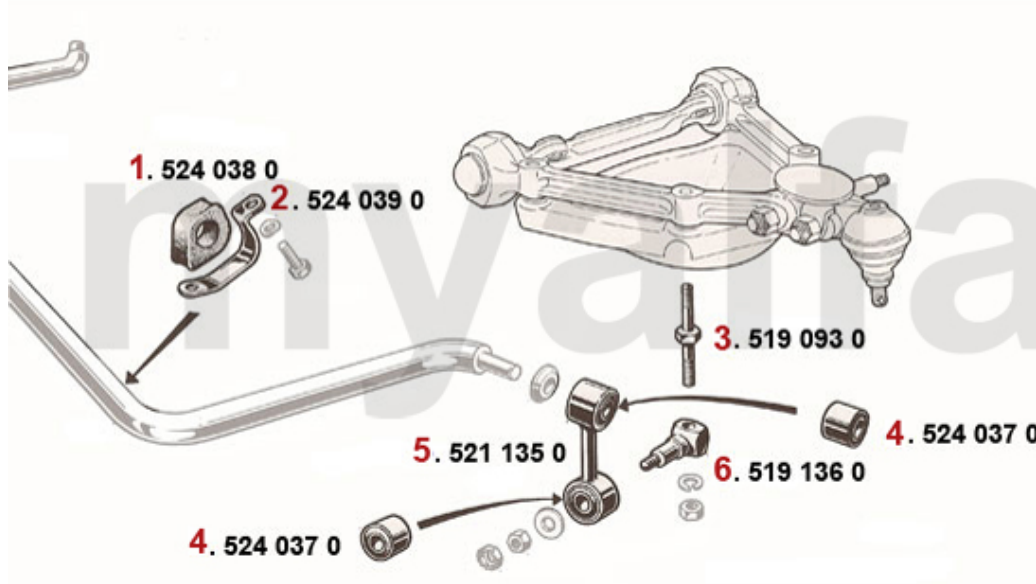
4. 120 648 2  
rechts/right

<b>1</b>	<b>1206471</b>	<b>REPAIR PANEL REAR WING MONTREAL REAR LEFT</b>	<b>SEK5,001.94</b>
<b>2</b>	<b>1206472</b>	<b>REPAIR PANEL REAR WING REAR RIGHT</b>	<b>SEK5,001.94</b>
<b>3</b>	<b>1206481</b>	<b>REPAIR PANEL REAR WING FRONT LEFT</b>	<b>SEK4,535.60</b>
<b>4</b>	<b>1206482</b>	<b>REPAIR PANEL REAR WING FRONT RIGHT</b>	<b>SEK4,535.60</b>



<b>10</b>	<b>4440020</b>	<b>UNIVERSAL JOINT MONTREAL</b>	<b>SEK675.71</b>
<b>15</b>	<b>4420060</b>	<b>FRONT DOUGHNUT COUPLING MONTREAL</b>	<b>SEK2,087.08</b>
<b>20</b>	<b>4430220</b>	<b>PROPSHAFT CENTRE SUPPORT 1968-93 HEAVY DUTY</b>	<b>SEK728.72</b>
<b>21</b>	<b>4430030</b>	<b>PROPSHAFT CENTRE SUPPORT BEARING ORIGINAL QUALITY</b>	<b>SEK185.37</b>
<b>21</b>	<b>4430010</b>	<b>PROPSHAFT CENTER SUPPORT BEARING FAG</b>	<b>SEK303.17</b>
<b>22</b>	<b>4440120</b>	<b>RETAINING CLIP PROPSHAFT CENTRE SUPPORT BEARING</b>	<b>SEK34.97</b>

# Stabilisator vorne/Stabilizer front Montreal



<b>1</b>	<b>5240380</b>	<b>ANTI-ROLL BAR RUBBER FRONT SET (2) 105, 102 20000, 106 2600</b>	<b>SEK150.41</b>
<b>2</b>	<b>5240390</b>	<b>BRACKET FRONT ANTI ROLL BAR RUBBER</b>	<b>SEK101.98</b>
<b>3</b>	<b>5190930</b>	<b>BOLT SPRING (HIGH-STRENGTH STEEL) PAN / DROP LINK 1969-86</b>	<b>SEK314.27</b>
<b>4</b>	<b>5240370</b>	<b>FRONT UPPER ANTI ROLL BAR DROP LINK BUSH 30 mm</b>	<b>SEK115.44</b>
<b>5</b>	<b>5211350</b>	<b>FRONT ANTI ROLL BAR DROP LINK WITH BUSHINGS 1968-86</b>	<b>SEK332.31</b>
<b>6</b>	<b>5191360</b>	<b>SPRING PAN TO DROP LINK BOLT 1968-86</b>	<b>SEK278.61</b>

<b>1</b>	<b>1570080</b>	<b>INDICATOR LAMP FOR INDICATOR (ONE ARROW)</b>	<b>SEK256.55</b>
<b>2</b>	<b>1570010</b>	<b>INDICATOR LAMP FOR INDICATOR</b>	<b>SEK256.55</b>
<b>3</b>	<b>1570020</b>	<b>INDICATOR LAMP RED, BRAKE</b>	<b>SEK256.55</b>
<b>4</b>	<b>1570030</b>	<b>INICATOR LAMP GREEN FOR DIMMED HEADLIGHTS</b>	<b>SEK256.55</b>
<b>5</b>	<b>1570040</b>	<b>INDICATOR LIGHT BLUE FOR FULL BEAM</b>	<b>SEK256.55</b>
<b>6</b>	<b>1570050</b>	<b>INDICATOR LAMP YELLOW FOR FOG LAMP</b>	<b>SEK256.55</b>
<b>7</b>	<b>1570060</b>	<b>CLAMP FOR DASHBOARD LAMP</b>	<b>SEK17.48</b>

<b>1</b>	<b>28080721</b>	<b>OE. 60723675 ENGINE MOUNT LEFT 116 4-CYL.</b>	<b>SEK685.56</b>
<b>2</b>	<b>28075461</b>	<b>OE. 60521085 ENGINE MOUNT RIGHT 116 4-CYL.</b>	<b>SEK685.56</b>
<b>3</b>	<b>4122385</b>	<b>OE. 60522199 ENGINE MOUNT REAR 4 CYL.</b>	<b>SEK378.93</b>

# Federn/Springs Montreal



<b>1</b>	<b>5156410</b>	<b>SPORT FRONT SPRING EIBACH BERLINA / MONTREAL (30MM LOWER)</b>	<b>SEK1,445.78</b>
<b>2</b>	<b>5180160</b>	<b>RUBBER SEAT FRONT SPRING UPPER / LOWER</b>	<b>SEK110.72</b>
<b>3</b>	<b>5180170</b>	<b>METAL SEAT FRONT SPRING UPPER / LOWER</b>	<b>SEK110.72</b>
<b>4</b>	<b>5180180</b>	<b>FRONT SPRING SPACER ALUMINIUM 6 mm</b>	<b>SEK326.48</b>
<b>5</b>	<b>5180131</b>	<b>SPRING PAN LEFT SHALLOW 1986-93</b>	<b>SEK571.37</b>
<b>6</b>	<b>5180132</b>	<b>FRONT SPRING PAN DEEP RIGHT 1986-93</b>	<b>SEK571.37</b>
<b>7</b>	<b>5180140</b>	<b>UPPER RUBBER SEAT REAR SPRING</b>	<b>SEK115.44</b>
<b>8</b>	<b>5156420</b>	<b>REAR SPRING EIBACH MONTREAL (30MM LOWER)</b>	<b>SEK1,433.01</b>

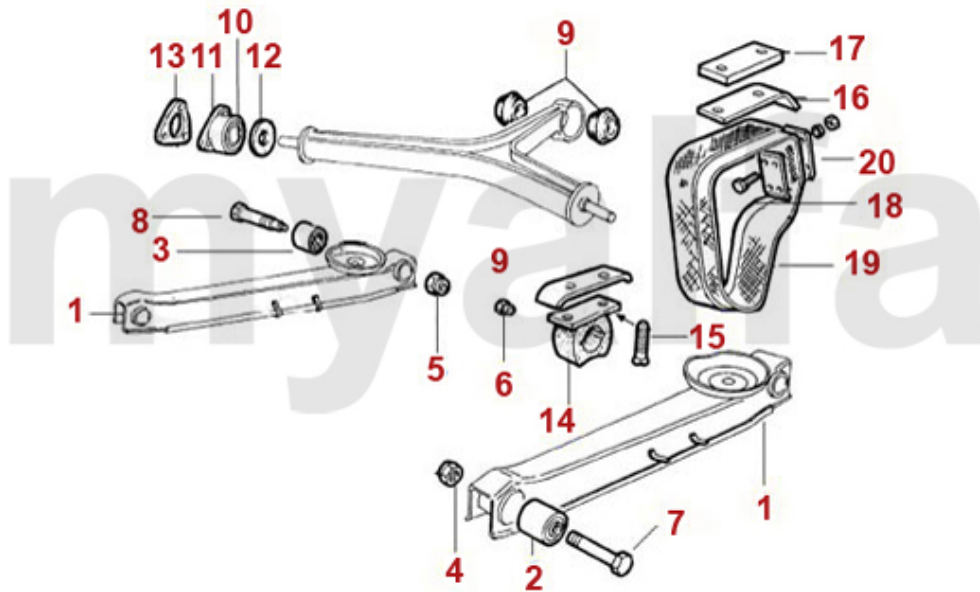
# Stoßdämpfer/Shock Absorber Montreal



<b>1</b>	<b>5120050</b>	<b>SHOCK ABSORBER FRONT BILSTEIN GAS PRESSURE</b>	<b>SEK1,737.29</b>
<b>2</b>	<b>5120030</b>	<b>SHOCK ABSORBER FRONT KONI RED ADJUSTABLE</b>	<b>SEK1,502.94</b>
<b>3</b>	<b>5121490</b>	<b>SHOCK ABSORBER FRONT KONI YELLOW ADJUSTABLE</b>	<b>SEK1,514.60</b>
<b>4</b>	<b>5120060</b>	<b>SHOCK ABSORBER REAR BILSTEIN GAS PRESSURE</b>	<b>SEK1,737.29</b>
<b>5</b>	<b>5120040</b>	<b>SHOCK ABSORBER REAR KONI RED ADJUSTABLE</b>	<b>SEK1,502.94</b>
<b>6</b>	<b>5121500</b>	<b>SHOCK ABSORBER REAR KONI YELLOW ADJUSTABLE</b>	<b>SEK1,514.60</b>

1	5340220	CASTOR ARM BALL JOINT	SEK395.30
2	5350200	TOP ARM INNER BUSH	SEK138.75
3	5340210	CASTOR ARM BUSH 23 mm HIGH	SEK135.28
4	5350460	SPACER (SET) FOR CASTOR ARM BUSH 19mm	SEK92.13
5	5330191	TOP SUSPENSION ARM LEFT WITH BUSHINGS WITHOUT CAP CASTOR ARM BUSH	SEK1,048.26
5	5330192	TOP SUSPENSION ARM RIGHT WITH BUSHINGS WITHOUT CAP CASTOR ARM BUSH	SEK1,048.26
6	5331650	SET ADJUSTABLE TOP ARMS WITH BUSHINGS WITHOUT CASTOR ARM BUSH	On request
6	5331651	ADJUSTABLE TOP ARM LEFT WITH BUSHINGS WITHOUT CAP CASTOR ARM BUSH	SEK1,778.08
6	5331652	ADJUSTABLE TOP ARM RIGHT WITH BUSHINGS WITHOUT CAP CASTOR ARM BUSH	SEK1,778.08
7	5190680	WISHBONE BUSH END CAP	SEK80.48
8	5191150	TAB WASHER BOTTOM WISHBONE BUSH	SEK57.17
9	5350240	BOTTOM WISHBONE BUSH	SEK520.04
10	5331120	WISHBONE USED	On request
11	5331170	FRONT WISHBONE ARM USED	On request
12	5331180	REAR WISHBONE ARM USED	On request
13	5190580	LOWER BUMP STOP FRONT WITH BOLT	SEK197.03
14	5521191	BUMP STOP PLATE LEFT	On request
14	5521192	BUMP STOP PLATE RIGHT	On request
15	5191210	NUT SPRING PAN SCREW	SEK23.31
16	5191220	BOLT SHOCK ABSORBER 105 / 115 / MONTREAL	SEK250.72
17	2280170	SCREW BALL JOINT HIGH STRENGTH	SEK75.76
18	5191240	SAFETY NUT BOTTOM BALL JOINT	On request
19	5330230	BOTTOM BALL JOINT	SEK413.89
20	5190260	UPPER BUMP STOP 1969-93	SEK103.79

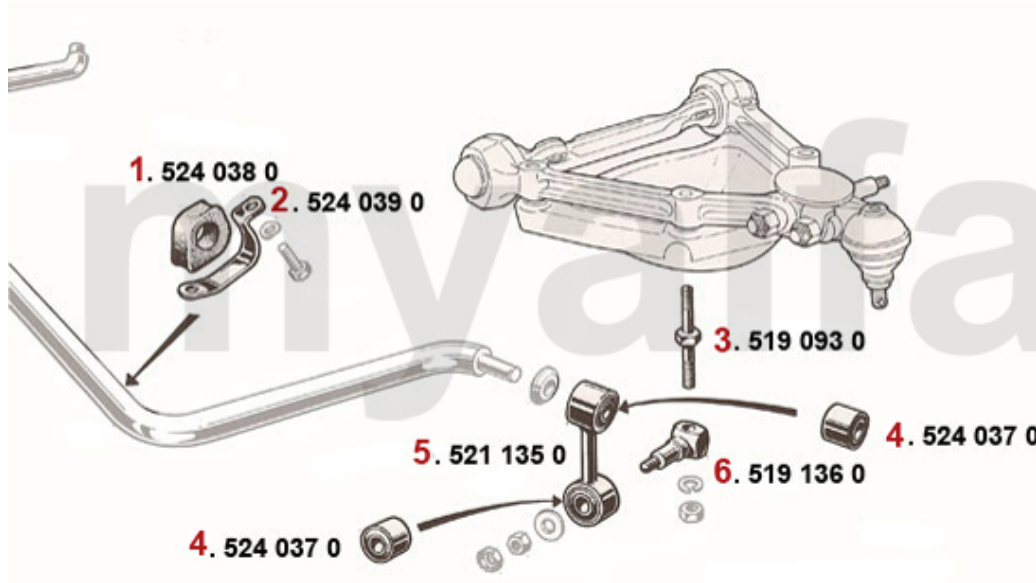
# Aufhängung hinten /Attachment rear Montreal



<b>1</b>	<b>5320310</b>	<b>REAR TRAILING ARM 1968-93, WITHOUT BUSHINGS</b>	<b>SEK1,375.85</b>
<b>2</b>	<b>5341090</b>	<b>FRONT TRAILING ARM BUSH 1968-93, DIAMETER 50 mm HEAVY DUTY</b>	<b>SEK299.70</b>
<b>3</b>	<b>5341100</b>	<b>REAR TRAILING ARM BUSH 1962-93, HEAVY DUTY</b>	<b>SEK299.70</b>
<b>4</b>	<b>5190650</b>	<b>SAFETY NUT FRONT SCREW TRAILING ARM</b>	<b>SEK45.51</b>
<b>5</b>	<b>5350660</b>	<b>BIG SAFETY NUT FOR TRAILING ARM BOLT</b>	<b>SEK50.09</b>
<b>6</b>	<b>5350670</b>	<b>SMALL SAFETY NUT FOR TRAILING ARM BOLT</b>	<b>SEK19.29</b>
<b>7</b>	<b>5190910</b>	<b>FRONT SCREW TRAILING ARM</b>	<b>SEK80.48</b>
<b>8</b>	<b>5350920</b>	<b>BOLT FOR REAR OF TRAILING ARM</b>	<b>SEK250.72</b>
<b>9</b>	<b>5351460</b>	<b>T-BAR CONICAL BUSH HEAVY DUTY</b>	<b>SEK92.69</b>
<b>10</b>	<b>5350551</b>	<b>T-BAR END BUSH</b>	<b>SEK348.68</b>
<b>11</b>	<b>5350552</b>	<b>T-BAR END BUSH HOUSING</b>	<b>SEK454.68</b>
<b>12</b>	<b>5350970</b>	<b>T-BAR END RUBBER WASHER RUBBER</b>	<b>SEK61.74</b>
<b>13</b>	<b>5351860</b>	<b>T-BAR SPACER 2 mm</b>	<b>On request</b>
<b>14</b>	<b>5190270</b>	<b>UPPER BUMP STOP REAR AXLE VERSION FOR 31mm REBOUND STRAP</b>	<b>SEK173.72</b>
<b>15</b>	<b>5190590</b>	<b>SCREW REAR UPPER BUMP STOP</b>	<b>SEK28.03</b>
<b>16</b>	<b>5190540</b>	<b>REBOUND STRAP GUIDE PANEL UNDER UPPER BUMP STOP REAR AXLE TWO BENDED ENDS</b>	<b>SEK150.41</b>
<b>17</b>	<b>5190870</b>	<b>Bump Stop Spacer</b>	<b>SEK476.88</b>
<b>18</b>	<b>4540361</b>	<b>OUTER REBOUND STRAP REAR 31 mm</b>	<b>SEK145.69</b>
<b>19</b>	<b>4540362</b>	<b>INNER REBOUND STRAP REAR 31 mm</b>	<b>SEK145.69</b>
<b>20</b>	<b>5190530</b>	<b>FITTING KIT FOR ONE REBOUND STRAP 31 mm</b>	<b>SEK150.41</b>

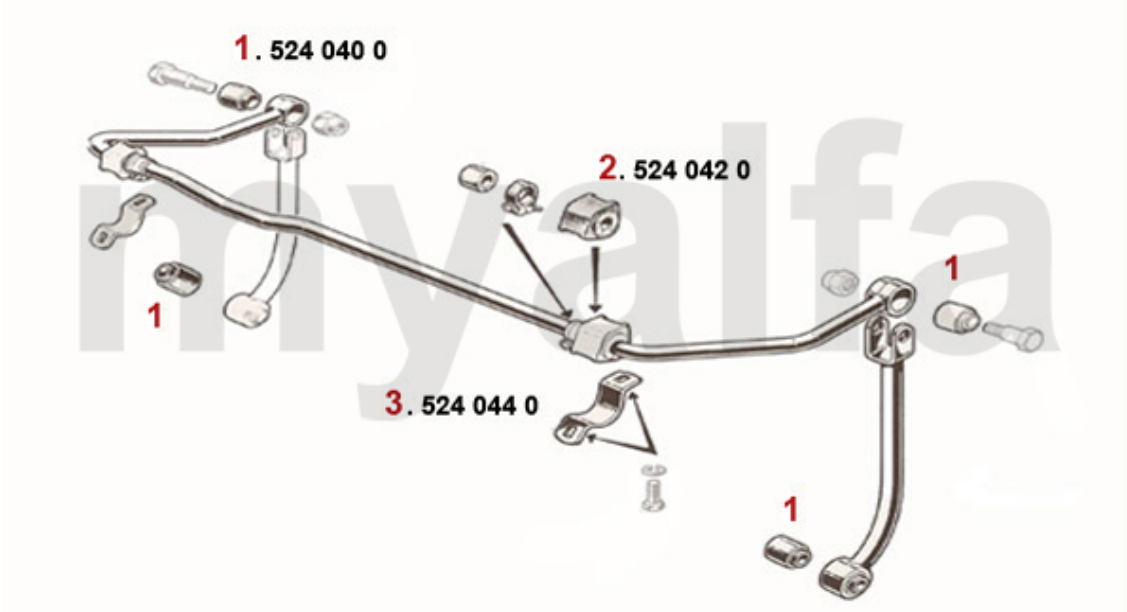


# Stabilisator vorne/Stabilizer front Montreal



<b>1</b>	<b>5240380</b>	<b>ANTI-ROLL BAR RUBBER FRONT SET (2) 105, 102 20000, 106 2600</b>	<b>SEK150.41</b>
<b>2</b>	<b>5240390</b>	<b>BRACKET FRONT ANTI ROLL BAR RUBBER</b>	<b>SEK101.98</b>
<b>3</b>	<b>5190930</b>	<b>BOLT SPRING (HIGH-STRENGTH STEEL) PAN / DROP LINK 1969-86</b>	<b>SEK314.27</b>
<b>4</b>	<b>5240370</b>	<b>FRONT UPPER ANTI ROLL BAR DROP LINK BUSH 30 mm</b>	<b>SEK115.44</b>
<b>5</b>	<b>5211350</b>	<b>FRONT ANTI ROLL BAR DROP LINK WITH BUSHINGS 1968-86</b>	<b>SEK332.31</b>
<b>6</b>	<b>5191360</b>	<b>SPRING PAN TO DROP LINK BOLT 1968-86</b>	<b>SEK278.61</b>

# Stabilisator hinten/Stabilizer rear Montreal



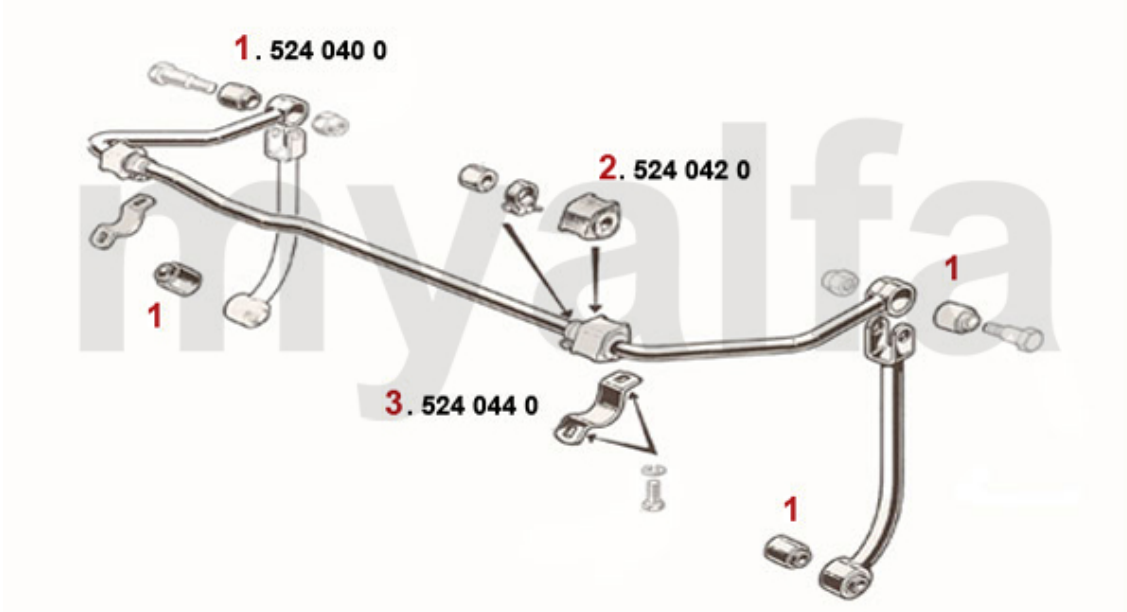
<b>1</b>	<b>5240400</b>	<b>REAR DROP LINK LOWER BUSH</b>	<b>SEK125.99</b>
<b>2</b>	<b>5340110</b>	<b>SET ANTI-ROLL BAR RUBBER REAR MONTREAL, GIULIA, GTV, SPIDER</b>	<b>SEK466.34</b>
<b>3</b>	<b>5240440</b>	<b>BRACKET REAR ANTI ROLL BAR REAR</b>	<b>SEK162.06</b>

<b>1</b>	<b>5440280</b>	<b>WHEEL BEARING KIT FRONT 101/105/115</b>	<b>SEK628.40</b>
<b>1</b>	<b>5440200</b>	<b>INNER WHEEL BEARING SKF 1900/750/101/105/115</b>	<b>SEK262.38</b>
<b>2</b>	<b>5441550</b>	<b>WHEEL BEARING KIT REAR 1964-72WITH TAB WASHER</b>	<b>SEK809.19</b>
<b>2</b>	<b>5441560</b>	<b>WHEEL BEARING KIT REAR 1972-93 WITH SHRINK RING</b>	<b>SEK738.01</b>
<b>2</b>	<b>5441571</b>	<b>WHEEL BEARING REAR - 1900 / 101 1600 /105/115 RACING</b>	<b>SEK1,219.61</b>

<b>1</b>	<b>5722690</b>	<b>ALUMINIUM WHEEL MONTREAL 6.5x14 ET25 MADE IN ITALY , SERIES 1</b>	<b>SEK3,602.78</b>
<b>2</b>	<b>5722670</b>	<b>ALUMINIUM WHEEL MONTREAL 7,5x14 ET10 MADE IN ITALY , SERIES 2</b>	<b>SEK3,486.23</b>
<b>3</b>	<b>1362410</b>	<b>BADGE ALUMINIUM WHEEL SILVER / BLACK BACKGROUND 48 mm</b>	<b>SEK92.13</b>
<b>4</b>	<b>1360500</b>	<b>BADGE ALUMINIUM WHEEL BLACK / SILVER BACKGROUND 48 mm</b>	<b>SEK92.13</b>
<b>5</b>	<b>1360510</b>	<b>CIRCLIP BADGE ALUMINIUM WHEEL 48 mm</b>	<b>SEK43.15</b>
<b>6</b>	<b>5740942</b>	<b>WHEEL NUT ALUMINIUM WHEEL HIGH GLOSS CHROMED, RIGHT HAND THREAD</b>	<b>SEK45.37</b>
<b>6</b>	<b>5740941</b>	<b>WHEEL NUT ALUMINIUM WHEEL HIGH GLOSS CHROMED, LEFT HAND THREAD</b>	<b>SEK45.37</b>
<b>7</b>	<b>5741710</b>	<b>LOCK SET ALUMINIUM WHEEL RIGHT HAND THREAD</b>	<b>SEK451.22</b>

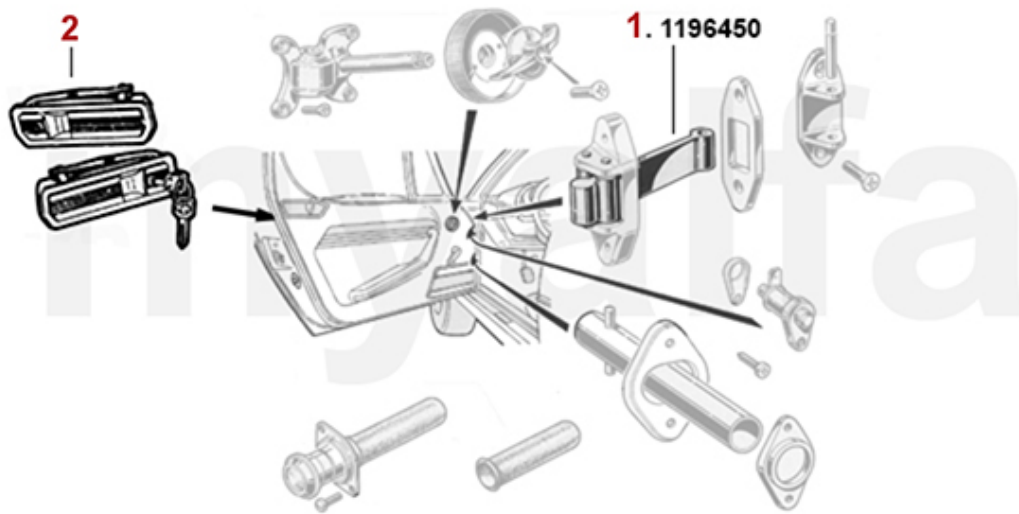
<b>1</b>	<b>5441560</b>	<b>WHEEL BEARING KIT REAR 1972-93 WITH SHRINK RING</b>	<b>SEK738.01</b>
<b>1</b>	<b>5441570</b>	<b>SKF WHEEL BEARING SET 1972-93</b>	<b>SEK1,340.88</b>
<b>2</b>	<b>2330280</b>	<b>OIL SEAL WHEEL BEARING REAR 1300-2000 1972-93 52/34/10</b>	<b>SEK110.72</b>
<b>3</b>	<b>4530510</b>	<b>DIFFERENTIAL CASE BEARING 2000</b>	<b>SEK515.32</b>
<b>4</b>	<b>2331110</b>	<b>OIL SEAL DIFFERENTIAL MONTREAL</b>	<b>SEK134.03</b>
<b>5</b>	<b>4541930</b>	<b>TAB WASHER (SET 2) AXLE PIPE RIGHT</b>	<b>SEK68.82</b>
<b>6</b>	<b>4541840</b>	<b>TAB WASHER AXLE PIPE LEFT</b>	<b>SEK33.86</b>
<b>7</b>	<b>4541940</b>	<b>TAB WASHER (SET 2) AXLE PIPE LEFT</b>	<b>SEK173.72</b>
<b>8</b>	<b>2330330</b>	<b>DIFFERENTIAL OIL PAN GASKET 2000</b>	<b>SEK96.15</b>
<b>9</b>	<b>4536410</b>	<b>DIFFERENTIAL SUMP MONTREAL / GTA AUTODELTA</b>	<b>SEK6,354.47</b>
<b>10</b>	<b>2280110</b>	<b>SUMP PLUG WITH MAGNET TRANSMISSION/DIFFERENTIAL 750/101, 105/115</b>	<b>SEK122.38</b>
<b>11</b>	<b>2330060</b>	<b>SUMP PLUG WASHER SUMP / TRANSMISSION / DIFFERENTIAL</b>	<b>SEK18.59</b>
<b>12</b>	<b>2280100</b>	<b>OIL FILLER SCREW , HEXAGON SOCKET, TRANS MISSION/DIFFERENTIAL M22x1.5</b>	<b>SEK92.13</b>
<b>13</b>	<b>4536440</b>	<b>STOP RUBBER DIFFERENTIAL / BODY 105/115</b>	<b>SEK192.45</b>

# Stabilisator hinten/Stabilizer rear Montreal



<b>1</b>	<b>5240400</b>	<b>REAR DROP LINK LOWER BUSH</b>	<b>SEK125.99</b>
<b>2</b>	<b>5340110</b>	<b>SET ANTI-ROLL BAR RUBBER REAR MONTREAL, GIULIA, GTV, SPIDER</b>	<b>SEK466.34</b>
<b>3</b>	<b>5240440</b>	<b>BRACKET REAR ANTI ROLL BAR REAR</b>	<b>SEK162.06</b>

# Türmechanik/Door Mechanical Montreal

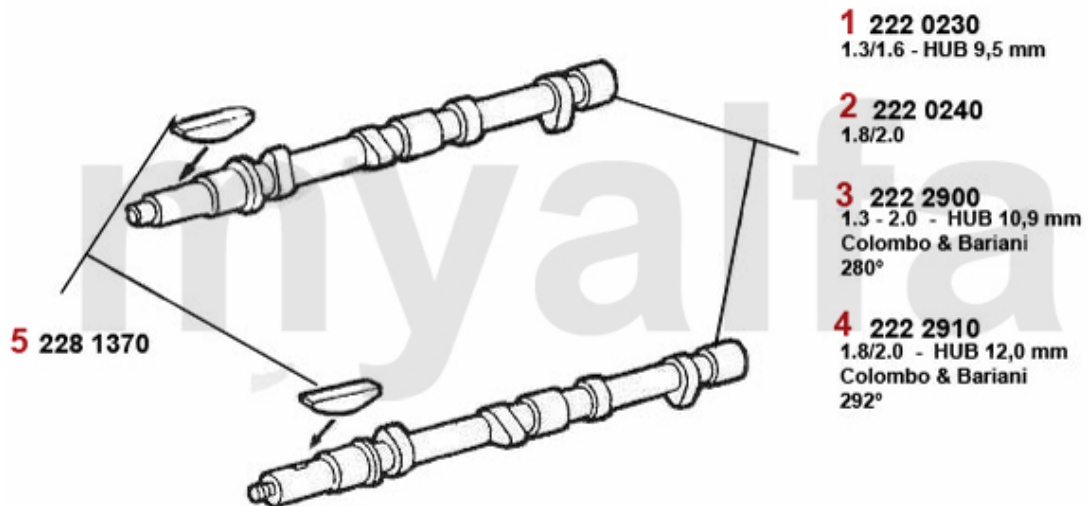


<b>1</b>	<b>1196450</b>	<b>DOOR RETAINING STRAP MONTREAL (SET FOR 1 SIDE)</b>	<b>SEK1,048.26</b>
<b>2</b>	<b>1176470</b>	<b>SET (2) OUTER DOOR HANDELS 116 GT/GTV, MONTREAL</b>	<b>SEK4,185.81</b>



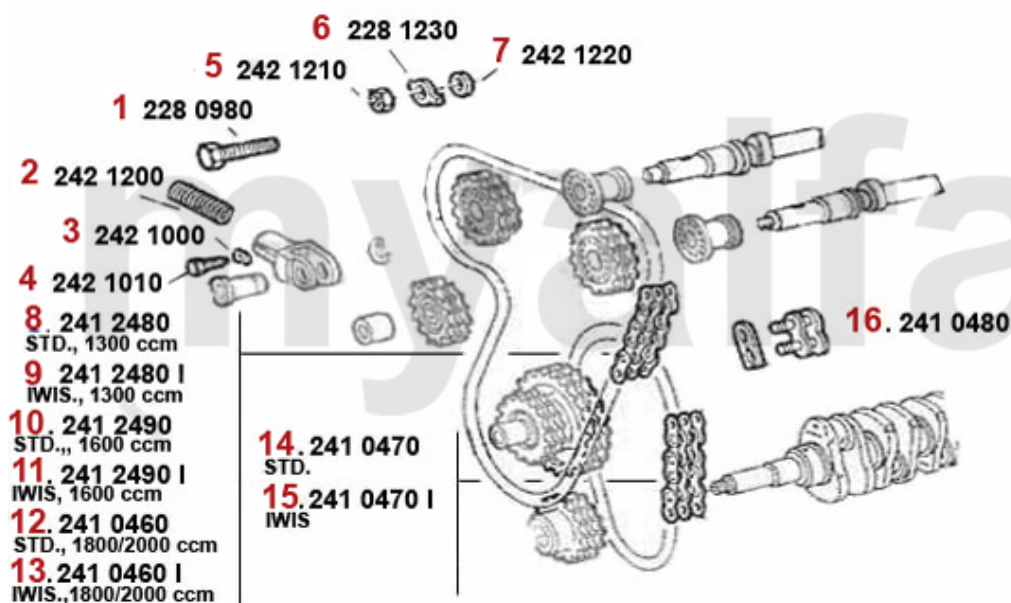


# Nockenwelle/Camshaft Giulietta



3	2222900	CAMSHAFT 1300-2000 SPORT COLOMBO&BARIANI LIFT 10.9 mm 280°	SEK3,206.37
4	2222910	CAMSHAFT 1750/2000 SPORT COLOMBO&BARIANI LIFT 12.0 mm 292°	SEK3,206.37
5	2281370	WEDGE CAMSHAFT	SEK80.48

# Steuerkette/Timing Chain Giulietta



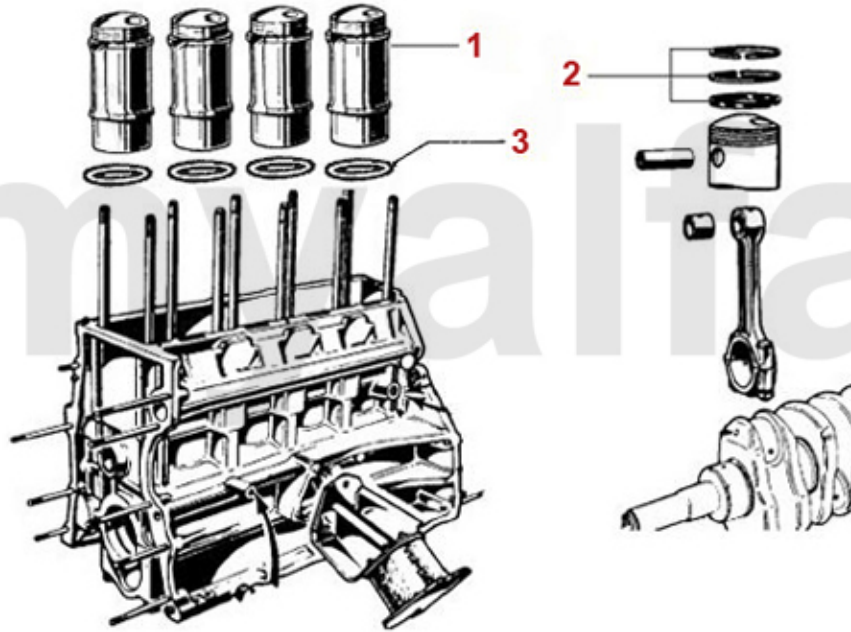
1	2280980	SAFETY SCREW CAMSHAFT	SEK40.79
2	2421200	CHAIN TENSIONER SPRING	SEK86.30
3	2421000	CHAIN TENSIONER LOCKING BLOCK	SEK64.10
4	2421010	CHAIN TENSIONER SCREW	SEK80.48
5	2421210	NUT TIMING CHAIN SPROCKET	SEK25.67
6	2281230	TAB WASHER CAMSHAFT	SEK29.14
7	2421220	WASHER TIMING CHAIN SPROCKET	On request
8	2412480	TOP TIMING CHAIN 1300 WITH LINK	SEK496.73
9	2412480I	TIMING CHAIN IWIS 1300 LONG WITH LINK - 101, 105, 115, 116	SEK873.29
10	2412490	TOP TIMING CHAIN 1600 WITH LINK	SEK496.73
11	2412490I	TIMING CHAIN IWIS 1600 LONG WITH LINK	SEK931.57
12	2410460	TOP TIMING CHAIN 1750-2000 WITH LINK	SEK496.73
13	2410460I	TIMING CHAIN IWIS 1750-2000 WITH LINK	SEK1,037.71
14	2410470	BOTTOM TIMING CHAIN 1300-2000 WITHOUT LINK	SEK320.65
15	2410470I	TIMING CHAIN IWIS 1300-2000 SHORT ENDLESS	SEK553.89
16	2410480	TIMING CHAIN LINK	SEK87.41

<b>1</b>	<b>2240680</b>	<b>CAM FOLLOWER OE-QUALITY 101/105/115/116/75/155/164</b>	<b>SEK204.10</b>
<b>1</b>	<b>2240710</b>	<b>CAM FOLLOWER DLC RACING MADE IN ITALY 101/105/115/116/75/164</b>	<b>SEK460.51</b>
<b>2</b>	<b>2431140</b>	<b>SET VALVE SHIMS 200 PIECES 2,525 - 3,5 mm, DIAMETER 9mm</b>	<b>SEK6,517.78</b>
<b>2</b>	<b>2430840</b>	<b>SET VALVE SHIMS 205 PIECES 1,5 - 2,5 mm, DIAMETER 9mm</b>	<b>SEK6,517.78</b>
<b>2</b>	<b>2430430</b>	<b>VALVE SHIM 9MM PLEASE SUBMIT THE SIZE YOU NEED</b>	<b>SEK144.58</b>
<b>3</b>	<b>2232960</b>	<b>VALVE COTTER 9MM</b>	<b>SEK22.20</b>
<b>4</b>	<b>2232740</b>	<b>SET VALVE SPRINGS 16 PIECES</b>	<b>SEK991.09</b>
<b>5</b>	<b>2232950</b>	<b>SHIM VALVE CUP / SPRING</b>	<b>SEK41.35</b>
<b>6</b>	<b>2232920</b>	<b>VALVE SPRING CUP</b>	<b>On request</b>
<b>7</b>	<b>2230250</b>	<b>INTAKE VALVE 1300 37 mm</b>	<b>SEK193.56</b>
<b>8</b>	<b>2230260</b>	<b>INTAKE VALVE 1600-1750 41 mm</b>	<b>SEK185.37</b>
<b>9</b>	<b>2230270</b>	<b>INTAKE VALVE 2000 CARBURETTOR 44 mm</b>	<b>SEK197.03</b>
<b>10</b>	<b>2330670</b>	<b>VALVE SEAL reinforced inlet/black</b>	<b>On request</b>
<b>11</b>	<b>2231640</b>	<b>VALVE GUIDE SPIDER 1990-93 INJECTION</b>	<b>SEK162.06</b>
<b>12</b>	<b>2230280</b>	<b>EXHAUST VALVE 1300 34 mm</b>	<b>SEK194.67</b>
<b>13</b>	<b>2230300</b>	<b>EXHAUST VALVE 1600-1750 37 mm</b>	<b>SEK194.67</b>
<b>14</b>	<b>2230320</b>	<b>EXHAUST VALVE 2000 40 mm</b>	<b>SEK244.89</b>

<b>1</b>	<b>5440280</b>	<b>WHEEL BEARING KIT FRONT 101/105/115</b>	<b>SEK628.40</b>
<b>1</b>	<b>5440200</b>	<b>INNER WHEEL BEARING SKF 1900/750/101/105/115</b>	<b>SEK262.38</b>
<b>2</b>	<b>5441550</b>	<b>WHEEL BEARING KIT REAR 1964-72WITH TAB WASHER</b>	<b>SEK809.19</b>
<b>2</b>	<b>5441560</b>	<b>WHEEL BEARING KIT REAR 1972-93 WITH SHRINK RING</b>	<b>SEK738.01</b>
<b>2</b>	<b>5441571</b>	<b>WHEEL BEARING REAR - 1900 / 101 1600 /105/115 RACING</b>	<b>SEK1,219.61</b>

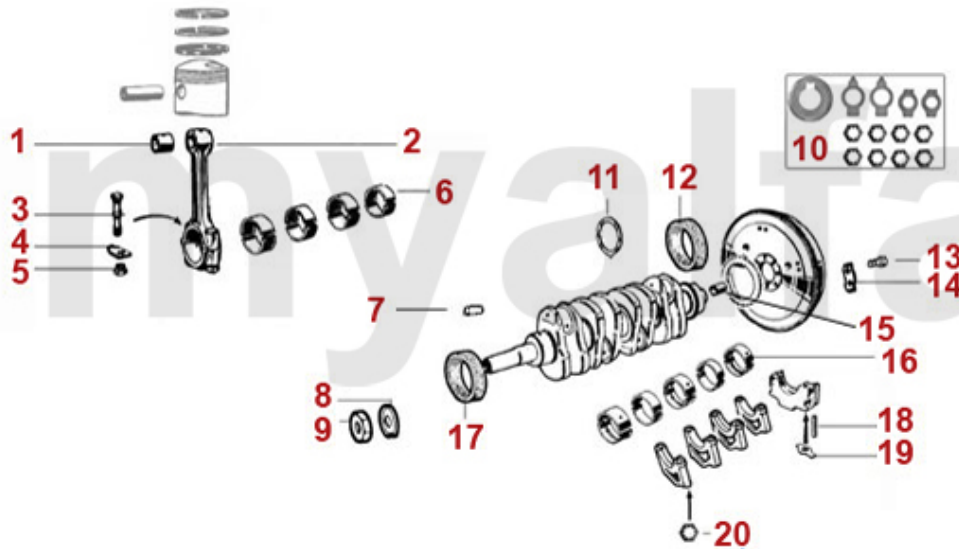
<b>1</b>	<b>5722690</b>	<b>ALUMINIUM WHEEL MONTREAL 6.5x14 ET25 MADE IN ITALY , SERIES 1</b>	<b>SEK3,602.78</b>
<b>2</b>	<b>5722670</b>	<b>ALUMINIUM WHEEL MONTREAL 7,5x14 ET10 MADE IN ITALY , SERIES 2</b>	<b>SEK3,486.23</b>
<b>3</b>	<b>1362410</b>	<b>BADGE ALUMINIUM WHEEL SILVER / BLACK BACKGROUND 48 mm</b>	<b>SEK92.13</b>
<b>4</b>	<b>1360500</b>	<b>BADGE ALUMINIUM WHEEL BLACK / SILVER BACKGROUND 48 mm</b>	<b>SEK92.13</b>
<b>5</b>	<b>1360510</b>	<b>CIRCLIP BADGE ALUMINIUM WHEEL 48 mm</b>	<b>SEK43.15</b>
<b>6</b>	<b>5740942</b>	<b>WHEEL NUT ALUMINIUM WHEEL HIGH GLOSS CHROMED, RIGHT HAND THREAD</b>	<b>SEK45.37</b>
<b>6</b>	<b>5740941</b>	<b>WHEEL NUT ALUMINIUM WHEEL HIGH GLOSS CHROMED, LEFT HAND THREAD</b>	<b>SEK45.37</b>
<b>7</b>	<b>5741710</b>	<b>LOCK SET ALUMINIUM WHEEL RIGHT HAND THREAD</b>	<b>SEK451.22</b>

# Kolben/Pistons Giulietta (116)



<b>1</b>	<b>2212215</b>	<b>PISTON / LINER 2000 CARBURETTOR</b>	<b>SEK1,690.67</b>
<b>1</b>	<b>2212235</b>	<b>PISTON / LINER 2000 HIGH COMPRESSION 10,4 : 1</b>	<b>SEK1,853.84</b>
<b>1</b>	<b>2212195</b>	<b>PISTON / LINER 1600</b>	<b>SEK1,620.74</b>
<b>1</b>	<b>2212205</b>	<b>PISTON / LINER 1750</b>	<b>SEK1,620.74</b>
<b>1</b>	<b>2212245</b>	<b>PISTON / LINER 2000 MOTRONIC</b>	<b>SEK1,970.53</b>
<b>1</b>	<b>2212464</b>	<b>OE. 60778505 ASSEMBLY</b>	<b>On request</b>
<b>2</b>	<b>2282715</b>	<b>SET PISTON RINGS 1600 1.5/1.75/3.5mm (FOR 1 PISTON)</b>	<b>On request</b>
<b>2</b>	<b>2280915</b>	<b>SET PISTON RINGS 1600 1.5/1.75/4.0mm (FOR 1 PISTON)</b>	<b>SEK412.78</b>
<b>2</b>	<b>2282235</b>	<b>SET PISTON RINGS 1750 1.5/1.75/3.5mm (FOR 1 PISTON)</b>	<b>SEK453.57</b>
<b>2</b>	<b>2282245</b>	<b>SET PISTON RINGS 1750 1.5/1.75/4.0mm (FOR 1 PISTON)</b>	<b>SEK454.68</b>
<b>2</b>	<b>2282935</b>	<b>SET PISTON RINGS 2000 1.5/1.75/4.0mm (FOR 1 PISTON)</b>	<b>SEK454.68</b>
<b>2</b>	<b>2280925</b>	<b>SET PISTON RINGS 2000 1.5/1.75/4.5mm (FOR 1 PISTON)</b>	<b>SEK426.80</b>
<b>2</b>	<b>22847840</b>	<b>OE. 60721009 PISTON RINGS SET V6, 156, 164, 166, gtv/spider (916), 75 1.8 Turbo (FOR 1 PIS</b>	<b>SEK804.47</b>
<b>3</b>	<b>2330880</b>	<b>O-RING LINER 1600/1750</b>	<b>SEK40.79</b>
<b>3</b>	<b>2330900</b>	<b>O-RING LINER 2000</b>	<b>SEK28.58</b>

# Lager/Bearings Giulietta (116)



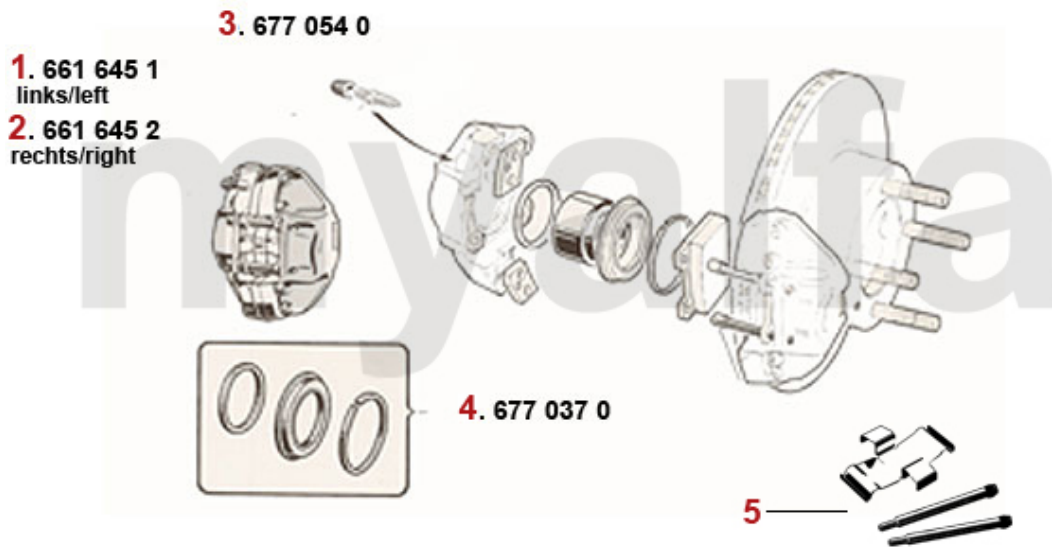
1	2260160	SMALL END BEARING 1300	SEK262.38
1	2261120	SMALL END BEARING 1600 - 2000	SEK239.07
2	2130120	CON ROD 1300 USED (PLEASE SUBMIT THE WEIGHT YOU NEED)	On request
2	2130130	CON ROD 1600 USED (PLEASE SUBMIT THE WEIGHT YOU NEED)	On request
2	2130140	CON ROD 1750 USED (PLEASE SUBMIT THE WEIGHT YOU NEED)	On request
2	2130150	CON ROD 2000 NEW	SEK1,504.05
3	2261050	CON ROD BOLT SET (2PC) 1750-2000 ALSO POSSIBLE FOR 1600	SEK231.99
4	2261380	TAB WASHER CON ROD NUT 1300	SEK14.01
4	2261390	TAB WASHER CON ROD NUT (SET 2 PCS) 1600-1750	SEK30.25
5	2261080	CON ROD NUT 1600-2000	SEK57.17
6	2260200	BIG END BEARINGS (Set) 1600-2000 1. OVERSIZE 0,10	SEK722.89
6	2260220	BIG END BEARINGS (Set) 1600-2000 2. OVERSIZE 0,20	SEK722.89
6	2260780	BIG END BEARINGS (Set) 1600-2000 3. OVERSIZE 0.30	SEK722.89
6	2260180	BIG END BEARINGS (Set) 1600-2000 STANDARD	SEK722.89
6	2260190	BIG END BEARINGS (Set) 1300 1. OVERSIZE 0,10	SEK1,008.57
6	2260210	BIG END BEARINGS (Set) 1300 2. OVERSIZE 0,20	SEK1,008.57
6	2260770	BIG END BEARINGS (Set) 1300 3. OVERSIZE 0.30	SEK1,008.57
6	2260170	BIG END BEARINGS (Set) 1300 STANDARD	SEK1,008.57
6	2260150	CON ROD BEARINGS SET KING XP RACING 1600-2000, STD	SEK1,364.19
7	2280950	ALUMINIUM PLUG CRANKSHAFT (SET 6 PCS) 6 mm DIAMETER	SEK139.86
7	2280960	ALUMINIUM PLUG CRANKSHAFT (SET 6 PCS) 6,25 mm	SEK139.86
8	2280970	TAB WASHER CRANK PULLEY NUT	SEK60.63
9	2280940	CRANK PULLEY NUT 1963-89	SEK227.41
10	2282730	TAB WASHER SET 13 PIECES MAIN BEARING / CAMSHAFT / PULLEY	SEK250.72
11	2240810	SET THRUST WASHERS - 101/105/115/116/75/155/164 - STANDARD	SEK250.72
11	2240820	THRUST WASHER SET - 101/105/115/116/75/155/164 - 0.005	SEK332.31
11	2240830	THRUST WASHER SET - 101/105/115/116/75/155/164 - 0.010	SEK320.65
12	2330230	OIL SEAL CRANK SHAFT REAR 82/105/12 750/101/105/115/116 UP TO 1989, OEM QUALITY	SEK383.64

<b>13</b>	<b>4211550</b>	<b>SCREW FLYWHEEL 6 HOLE</b>	<b>SEK57.72</b>
<b>13</b>	<b>4211560</b>	<b>SCREW FLYWHEEL 8 HOLE</b>	<b>SEK68.82</b>
<b>14</b>	<b>4211500</b>	<b>TAB WASHER SCREW FLYWHEEL (SET 4 PCS) 8 HOLE</b>	<b>SEK115.44</b>
<b>15</b>	<b>2251110</b>	<b>CRANK SPIGOT BUSH 24 mm</b>	<b>SEK127.10</b>
<b>15</b>	<b>2251100</b>	<b>CRANK SPIGOT BUSH 20 mm / 1750 ccm</b>	<b>SEK127.10</b>
<b>16</b>	<b>2250100</b>	<b>MAIN BEARINGS (Set) 1300-2000 - 1. OVERSIZE 0,10</b>	<b>SEK873.29</b>
<b>16</b>	<b>2250110</b>	<b>MAIN BEARINGS (Set) 1300-2000 2. OVERSIZE 0,20</b>	<b>SEK873.29</b>
<b>16</b>	<b>2250750</b>	<b>MAIN BEARINGS 1300-2000 3. OVERSIZE 0.30</b>	<b>SEK873.29</b>
<b>16</b>	<b>2250090</b>	<b>MAIN BEARINGS (Set) 1300-2000 STANDARD</b>	<b>SEK873.29</b>
<b>16</b>	<b>2250150</b>	<b>MAIN BEARING SET KING XP RACING 1300-2000 STD -101/105/115/116/75/155/164</b>	<b>SEK2,390.25</b>
<b>17</b>	<b>2330220</b>	<b>OIL SEAL CRANK SHAFT FRONT 35/50/10</b>	<b>SEK110.72</b>
<b>18</b>	<b>2331550</b>	<b>MAIN BEARING 'CIGARETTE' OIL SEAL</b>	<b>SEK46.07</b>
<b>19</b>	<b>2251490</b>	<b>TAB WASHER 5th MAIN BEARING</b>	<b>SEK17.48</b>
<b>20</b>	<b>2282700</b>	<b>MAIN BEARING LOCKNUT</b>	<b>SEK22.20</b>



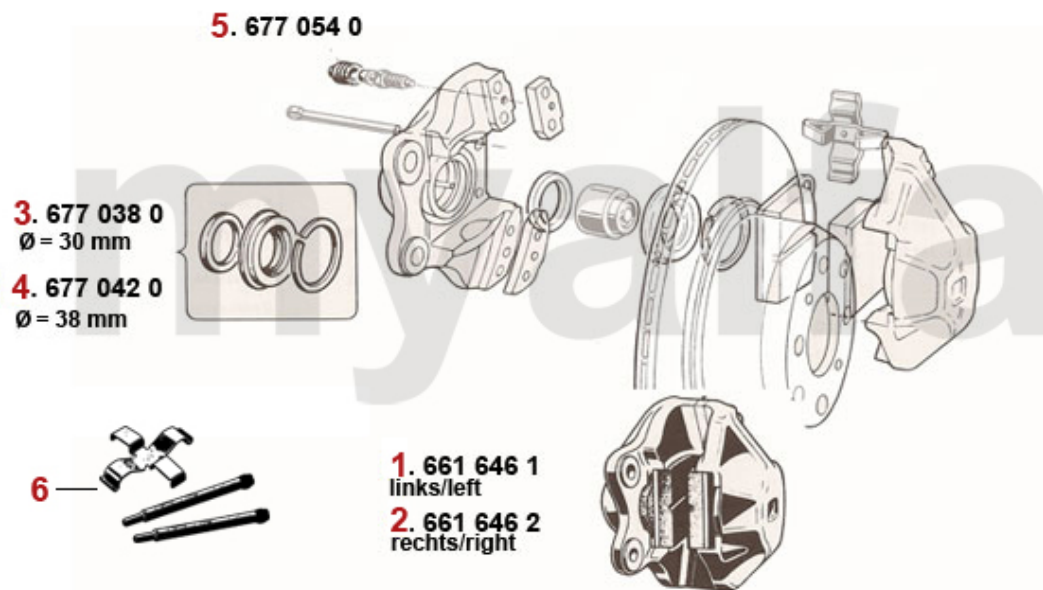
<b>1</b>	<b>6106450</b>	<b>BRAKE DISC MONTREAL FRONT ohne Radbolzen</b>	<b>SEK3,089.82</b>
<b>2</b>	<b>6106460</b>	<b>BRAKE DISC MONTREAL REAR</b>	<b>SEK4,069.26</b>

# Bremssattel/Caliper Montreal vorne/front



1	6616451	BRAKE CALIPER MONTREAL FRONT NEW LEFT	SEK2,786.66
2	6616452	BRAKE CALIPER MONTREAL FRONT NEW RIGHT	SEK2,786.66
3	6770540	CAP BLEEDER SCREW	SEK18.04
4	6770370	BRAKE CALIPER REBUILD KIT FRONT ATE	SEK263.49
5	6500100	RETAINING PIN FOR FRONT BRAKE PAD MONTREAL	SEK227.41

# Bremssattel/Caliper Montreal hinten/rear



<b>1</b>	<b>6616461</b>	<b>BRAKE CALIPER MONTREAL REAR LEFT</b>	<b>SEK2,498.06</b>
<b>2</b>	<b>6616462</b>	<b>BRAKE CALIPER MONTREAL REAR RIGHT</b>	<b>SEK2,498.06</b>
<b>3</b>	<b>6770380</b>	<b>BRAKE CALIPER REBUILD KIT 1964-66 ATE (30 mm), PREMIUM</b>	<b>SEK687.92</b>
<b>4</b>	<b>6770420</b>	<b>BRAKE CALIPER REBUILD KIT 1967-93 REAR ATE, 38mm PISTONS</b>	<b>SEK277.50</b>
<b>5</b>	<b>6770540</b>	<b>CAP BLEEDER SCREW</b>	<b>SEK18.04</b>
<b>6</b>	<b>6500200</b>	<b>RETAINING PIN SET FOR REAR BRAKE PADS MONTREAL</b>	<b>SEK227.41</b>

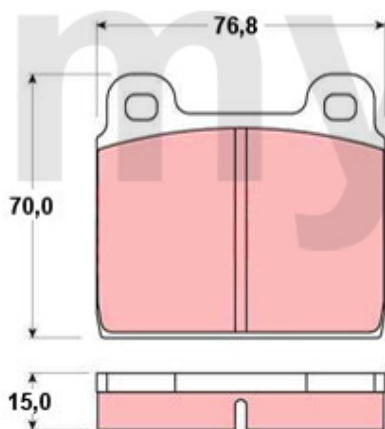
# Bremsbeläge/Brake Pads Montreal

## vorne/front:

**1. 630 005 F**  
Ferodo std.

**2. 630 098 0**  
Ferodo Racing  
DS2500

**3. 630 089 0**  
Ferodo Racing  
DS3000

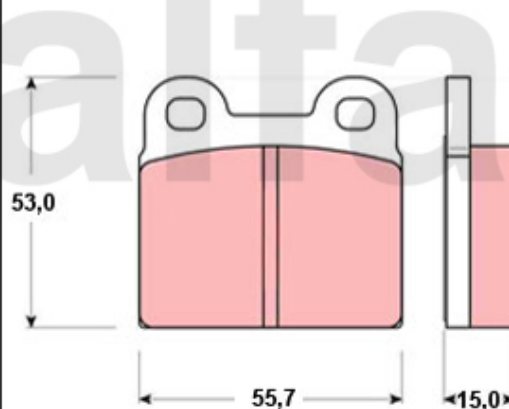


## hinten/rear:

**4. 630 006 F**  
Ferodo std.

**5. 630 099 0**  
Ferodo Racing  
DS2500

**6. 630 090 0**  
Ferodo Racing  
DS3000



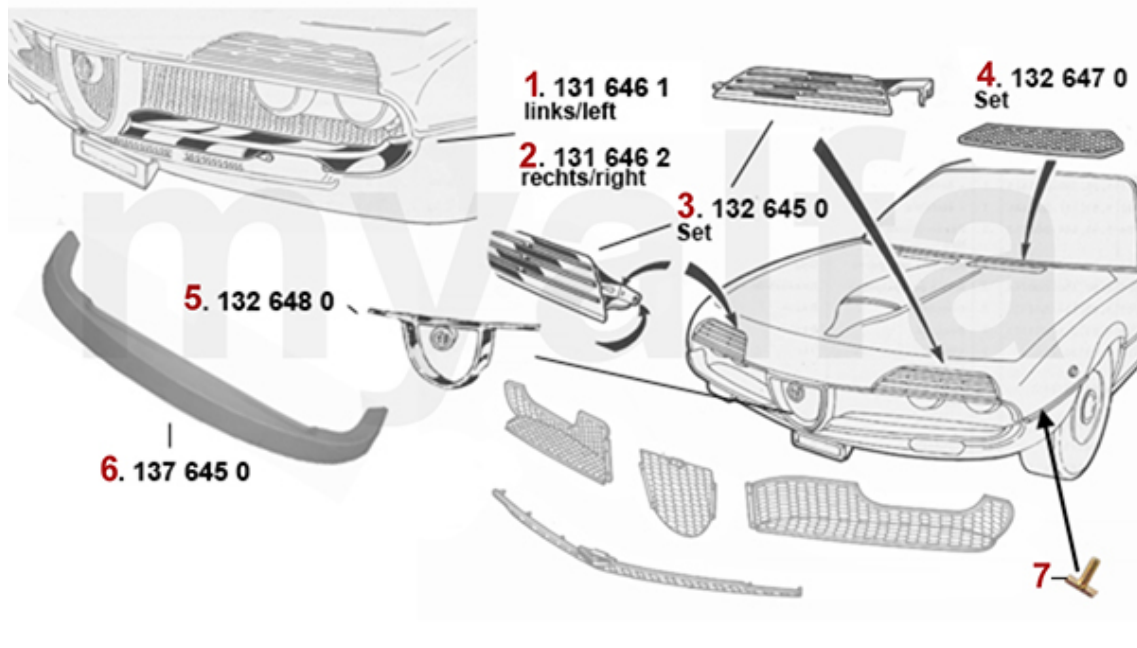
<b>1</b>	<b>630005F</b>	<b>BRAKE PADS 1750/2000, 1600 1986-93 FRONT, OEM QUALITY</b>	<b>SEK496.73</b>
<b>2</b>	<b>6300980</b>	<b>BRAKE PADS 1750/2000, 1600 1986-93 FRONT FERODO RACING DS2500</b>	<b>SEK1,807.22</b>
<b>3</b>	<b>6300890</b>	<b>BRAKE PADS 1750/2000, 1600 1986-93 FRONT FERODO RACING DS3000</b>	<b>SEK1,690.67</b>
<b>4</b>	<b>630006F</b>	<b>BRAKE PADS 1300-2000 1966-93 REAR, OEM QUALITY</b>	<b>SEK425.55</b>
<b>5</b>	<b>6300990</b>	<b>BRAKE PADS 1300-2000 REAR FERODO RACING DS2500</b>	<b>SEK1,445.78</b>
<b>6</b>	<b>6300900</b>	<b>BRAKE PADS 1300-2000 REAR FERODO RACING DS3000</b>	<b>SEK1,603.26</b>

<b>1</b>	<b>6710250</b>	<b>BRAKE BOOSTER 1300-2000 SYSTEM ATE, HANGING PEDALS</b>	<b>SEK2,740.04</b>
<b>1</b>	<b>6710260</b>	<b>BRAKE BOOSTER 1300-2000 SYSTEM ATE, HANGING PEDALS BENDITALIA ORIGINAL</b>	<b>SEK4,419.05</b>
<b>2</b>	<b>4380200</b>	<b>CAP BRAKE / CLUTCH RESERVIOR HANGING PEDALS</b>	<b>SEK138.75</b>
<b>3</b>	<b>6770580</b>	<b>BRAKE FLUID RESERVOIR HANGING PEDALS</b>	<b>On request</b>
<b>4</b>	<b>6720280</b>	<b>BRAKE MASTER CYLINDER HANGING PEDALS 20,6MM</b>	<b>SEK1,467.98</b>
<b>5</b>	<b>6770340</b>	<b>REPAIR KIT BMC 1300-2000 HANGING PEDALS ATE 20 mm</b>	<b>SEK641.30</b>
<b>6</b>	<b>6770710</b>	<b>REPAIR KIT HBZ 1300-2000 HANGING PEDALS ATE VERSION 22 mm</b>	<b>SEK260.02</b>

<b>1</b>	<b>6760210</b>	<b>BRAKE HOSE FRONT 750/101/105/106/ MONTREAL</b>	<b>SEK230.88</b>
<b>2</b>	<b>6760220</b>	<b>BRAKE HOSE REAR 750/101/105/ MONTREAL</b>	<b>SEK255.30</b>
<b>3</b>	<b>6740210</b>	<b>BRAKE PRESSURE REG. TYPE ATE GIULIA, GT BERTONE, SPIDER 1. SERIES, MONTREAL</b>	<b>SEK2,622.24</b>
<b>4</b>	<b>6780010</b>	<b>SET (2) FRONT BRAKE LINE BRACKET</b>	<b>SEK496.73</b>

<b>1</b>	<b>6400100</b>	<b>SET BRAKE SHOES 4 PIECES</b>	<b>SEK460.51</b>
<b>2</b>	<b>6500820</b>	<b>HANDBRAKE ADJUSTOR</b>	<b>SEK460.51</b>
<b>3</b>	<b>6500730</b>	<b>HANDBRAKE SHOE RETAINING PIN</b>	<b>SEK54.81</b>
<b>4</b>	<b>6810810</b>	<b>COUNTERPLATE FOR RETAINING PIN</b>	<b>SEK103.79</b>
<b>5</b>	<b>6810470</b>	<b>HANDBRAKE SHOE OPERATOR LEVER</b>	<b>SEK396.41</b>
<b>6</b>	<b>6810460</b>	<b>REAR BRAKE ANCHOR PLATE</b>	<b>On request</b>
<b>7</b>	<b>6801050</b>	<b>MAIN HANDBRAKE CABLE MONTREAL</b>	<b>SEK693.75</b>
<b>8</b>	<b>6500840</b>	<b>HANDBRAKE SHOE SPRING LONG</b>	<b>SEK75.20</b>
<b>9</b>	<b>6500850</b>	<b>HANDBRAKE SHOE SPRING SHORT</b>	<b>SEK54.81</b>
<b>10</b>	<b>6800170</b>	<b>HAND BRAKE CABLE SET (2PC) REAR LEFT AND RIGHT - 105 MONTREAL</b>	<b>SEK571.37</b>

# Stoßstangen/Bumpers Montreal



1	1316461	BUMPER MONTREAL FRONT LEFT	On request
2	1316462	BUMPER MONTREAL FRONT RIGHT	On request
3	1326450	SET HEADLIGHT COVERS MONTREAL	SEK11,543.03
4	1326470	SET SCUTTLE GRIDS MONTREAL	SEK2,903.21
5	1326480	CENTER HEART MONTREAL	On request
6	1376450	FRONT SPOILER MONTREAL	SEK2,670.11
7	1330030	CLIP FOR TRIM MONTREAL	SEK22.20



<b>1</b>	<b>8146450</b>	<b>SET IGNITION MODULES MONTREAL WITH IGNITION COIL</b>	<b>On request</b>
<b>2</b>	<b>8156450</b>	<b>POINTS MARELLI 4 SPRINGS SHORT CABLE</b>	<b>SEK1,270.95</b>
<b>3</b>	<b>816100</b>	<b>ROTOR MONTREAL / FERRARI 308</b>	<b>SEK1,270.95</b>
<b>3</b>	<b>8171440</b>	<b>DISTRIBUTOR CAP MONTREAL / FERRARI 308</b>	<b>SEK2,670.11</b>
<b>4</b>	<b>8186450</b>	<b>HT LEADS MONTREAL</b>	<b>SEK1,980.93</b>
<b>5</b>	<b>BA2HL</b>	<b>SPARK PLUG "myalfa" 2HL</b>	<b>SEK103.79</b>
<b>5</b>	<b>BP7ES</b>	<b>OE. 60512929 SPARK PLUG NGK BP7ES</b>	<b>SEK57.17</b>
<b>6</b>	<b>8186430</b>	<b>SET HAT LEAD CLAMPS MONTREAL</b>	<b>SEK921.16</b>
<b>7</b>	<b>8151500</b>	<b>CONDENSER MARELLI MONTREAL / GTA / FERRARI</b>	<b>SEK215.76</b>

<b>1</b>	<b>8226450</b>	<b>STARTER MOTOR MONTREAL EXCHANGE</b>	<b>On request</b>
<b>1</b>	<b>8216450</b>	<b>HIGH PERFORMANCE STARTER MOTOR - MONTREAL</b>	<b>SEK5,001.94</b>
<b>2</b>	<b>8216460</b>	<b>ALTERNATOR MONTREAL EXCHANGE 65A STD</b>	<b>SEK4,535.60</b>
<b>2</b>	<b>8216470</b>	<b>ALTERNATOR MONTREAL NEW 65A STANDARD</b>	<b>SEK6,704.26</b>
<b>2</b>	<b>8216480</b>	<b>ALTERNATOR MONTREAL NEW 100A STRENGTHENED</b>	<b>SEK8,033.49</b>
<b>3</b>	<b>8230700</b>	<b>EXTERNAL REGULATOR ALTERNATOR 12V</b>	<b>SEK378.93</b>
<b>3</b>	<b>8230710</b>	<b>EXTERNAL REGULATOR ALTERNATOR 12V HELLA</b>	<b>SEK460.51</b>

# Schalter/Switches Montreal



1	8414600	ELECTRIC WINDOW ROCKER SWITCH MONTREAL	SEK804.47
2	8413801	INTERIOR LIGHT ROCKER SWITCH MONTREAL	SEK687.92
3	8413400	HORN ROCKER SWITCH MONTREAL	SEK687.92
4	8410510	DASHLIGHT ROCKER SWITCH SPIDER 1970-80 / MONTREAL	SEK687.92
5	8410580	HEATER FAN ROCKER SWITCH SPIDER 1970-80, MONTREAL	SEK804.47
6	8410540	WINDSCREEN WIPER ROCKER SWITCH SPIDER 1970-80, MONTREAL	SEK804.47
7	8416450	COURTESY LIGHT SWITCH MONTREAL	SEK95.60
8	8436450	COLUMN SWITCH MONTREAL	SEK2,786.66
9	8110080	IGNITION SWITCH RIGHT SIDE OF STEERING WHEEL	SEK1,620.74

<b>1</b>	<b>8620470</b>	<b>WATER TEMPERATUR SENDER</b>	<b>SEK231.99</b>
<b>2</b>	<b>8610190</b>	<b>OIL PRESSURE SENDER JAEGER / VEGLIA SERIES 2</b>	<b>SEK558.47</b>
<b>2</b>	<b>8610180</b>	<b>OIL PRESSURE SENDER JAEGER 1st SERIES (SHORT VERSION)</b>	<b>SEK641.30</b>
<b>3</b>	<b>8410390</b>	<b>OIL PRESSURE SWITCH</b>	<b>SEK180.79</b>
<b>4</b>	<b>8640150</b>	<b>REVERS LIGHT SWITCH SCREW-IN</b>	<b>SEK185.37</b>
<b>5</b>	<b>8420750</b>	<b>INDICATOR/FLASHER PLASTIC RELAY 4 PIN</b>	<b>SEK230.88</b>
<b>6</b>	<b>2631050</b>	<b>THERMO SWITCH MONTREAL 88°/79° C</b>	<b>SEK285.69</b>

# Installationsmaterial/Installation Material Montreal



<b>1</b>	<b>8430960</b>	<b>HAZARD UPGRADE KIT 12V HELLA</b>	<b>SEK1,853.84</b>
<b>2</b>	<b>8701120</b>	<b>HORN SET LOW / HIGH</b>	<b>SEK532.80</b>
<b>3</b>	<b>87046010</b>	<b>ANTENNA STAINLESS STEEL</b>	<b>SEK208.68</b>
<b>4</b>	<b>9822250</b>	<b>BATTERY LIFE SAFER</b>	<b>SEK448.86</b>
<b>5</b>	<b>8421540</b>	<b>POWER RELAY</b>	<b>SEK185.37</b>
<b>6</b>	<b>1190190</b>	<b>ELECTRIC WINDOW MOTOR SPIDER 1990-93 / MONTREAL / ALFETTA GTV</b>	<b>SEK1,504.05</b>

<b>1</b>	<b>1570080</b>	<b>INDICATOR LAMP FOR INDICATOR (ONE ARROW)</b>	<b>SEK256.55</b>
<b>2</b>	<b>1570010</b>	<b>INDICATOR LAMP FOR INDICATOR</b>	<b>SEK256.55</b>
<b>3</b>	<b>1570020</b>	<b>INDICATOR LAMP RED, BRAKE</b>	<b>SEK256.55</b>
<b>4</b>	<b>1570030</b>	<b>INICATOR LAMP GREEN FOR DIMMED HEADLIGHTS</b>	<b>SEK256.55</b>
<b>5</b>	<b>1570040</b>	<b>INDICATOR LIGHT BLUE FOR FULL BEAM</b>	<b>SEK256.55</b>
<b>6</b>	<b>1570050</b>	<b>INDICATOR LAMP YELLOW FOR FOG LAMP</b>	<b>SEK256.55</b>
<b>7</b>	<b>1570060</b>	<b>CLAMP FOR DASHBOARD LAMP</b>	<b>SEK17.48</b>



# Schriftzüge-Embleme/Lettering Montreal



<b>1</b>	<b>1360010</b>	<b>BADGE 55 mm Alfa Romeo</b>	<b>SEK349.23</b>
<b>2</b>	<b>1360020</b>	<b>BADGE 55 mm Alfa Romeo MILANO</b>	<b>SEK349.23</b>
<b>3</b>	<b>1360030</b>	<b>BADGE 55mm "ALFA ROMEO MILANO" ENAMEL</b>	<b>SEK465.78</b>
<b>4</b>	<b>1360500</b>	<b>BADGE ALUMINIUM WHEEL BLACK / SILVER BACKGROUND 48 mm</b>	<b>SEK92.13</b>
<b>5</b>	<b>1360510</b>	<b>CIRCLIP BADGE ALUMINIUM WHEEL 48 mm</b>	<b>SEK43.15</b>
<b>6</b>	<b>1366450</b>	<b>BASE FOR REAR BADGE MONTREAL</b>	<b>SEK991.09</b>
<b>7</b>	<b>1366460</b>	<b>BADGE "b" BERTONE MONTREAL INCLUDING RUBBER PAD</b>	<b>SEK991.09</b>
<b>8</b>	<b>1366470</b>	<b>BADGE "Torino" MONTREAL ENAMEL</b>	<b>SEK687.92</b>
<b>9</b>	<b>1360300</b>	<b>SCRIPT "ALFA ROMEO" MONTREAL</b>	<b>SEK2,670.11</b>

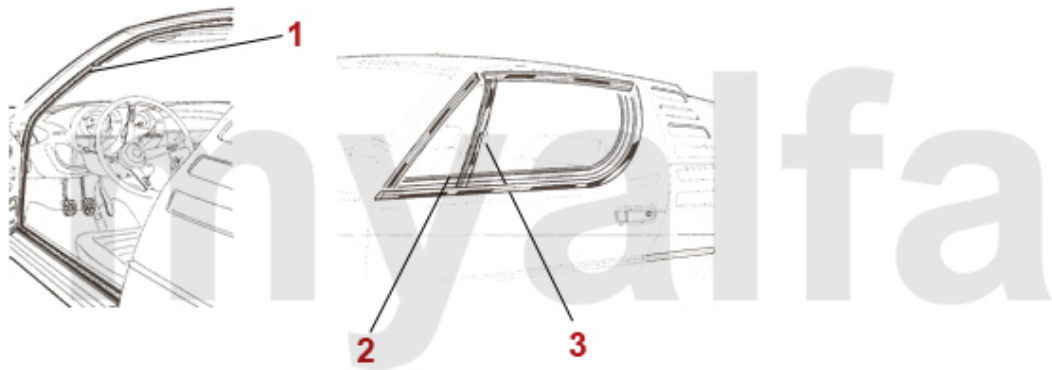


<b>1</b>	<b>6710250</b>	<b>BRAKE BOOSTER 1300-2000 SYSTEM ATE, HANGING PEDALS</b>	<b>SEK2,740.04</b>
<b>1</b>	<b>6710260</b>	<b>BRAKE BOOSTER 1300-2000 SYSTEM ATE, HANGING PEDALS BENDITALIA ORIGINAL</b>	<b>SEK4,419.05</b>
<b>2</b>	<b>4380200</b>	<b>CAP BRAKE / CLUTCH RESERVIORE HANGING PEDALS</b>	<b>SEK138.75</b>
<b>3</b>	<b>6770580</b>	<b>BRAKE FLUID RESERVOIR HANGING PEDALS</b>	<b>On request</b>
<b>4</b>	<b>6720280</b>	<b>BRAKE MASTER CYLINDER HANGING PEDALS 20,6MM</b>	<b>SEK1,467.98</b>
<b>5</b>	<b>6770340</b>	<b>REPAIR KIT BMC 1300-2000 HANGING PEDALS ATE 20 mm</b>	<b>SEK641.30</b>
<b>6</b>	<b>6770710</b>	<b>REPAIR KIT HBZ 1300-2000 HANGING PEDALS ATE VERSION 22 mm</b>	<b>SEK260.02</b>

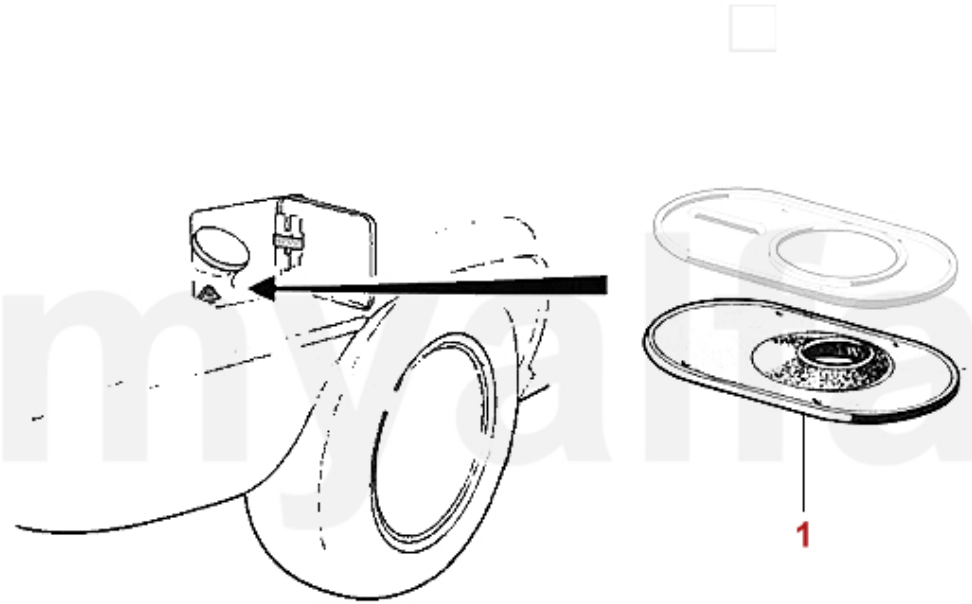
<b>1</b>	<b>6760210</b>	<b>BRAKE HOSE FRONT 750/101/105/106/ MONTREAL</b>	<b>SEK230.88</b>
<b>2</b>	<b>6760220</b>	<b>BRAKE HOSE REAR 750/101/105/ MONTREAL</b>	<b>SEK255.30</b>
<b>3</b>	<b>6740210</b>	<b>BRAKE PRESSURE REG. TYPE ATE GIULIA, GT BERTONE, SPIDER 1. SERIES, MONTREAL</b>	<b>SEK2,622.24</b>
<b>4</b>	<b>6780010</b>	<b>SET (2) FRONT BRAKE LINE BRACKET</b>	<b>SEK496.73</b>

# Dichtgummis/Rubber Gaskets Montreal

---



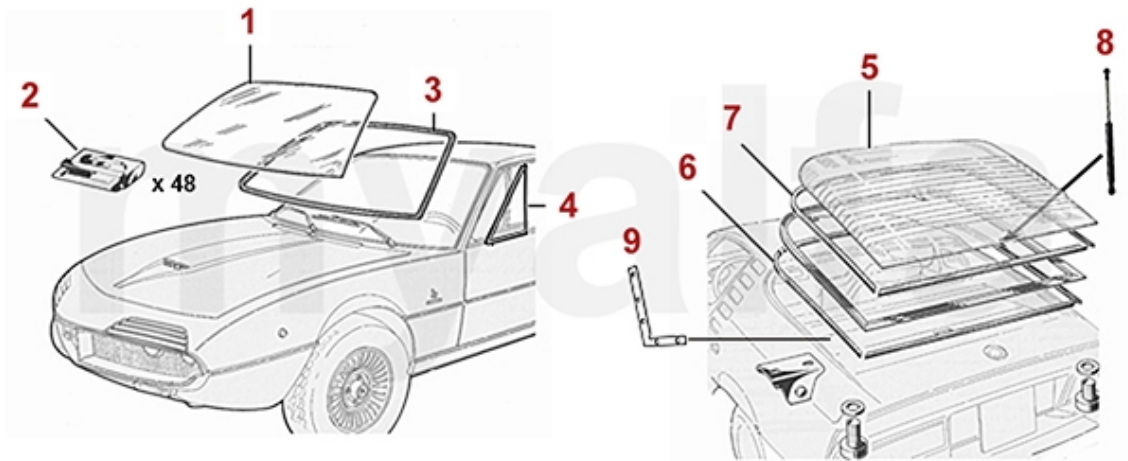
<b>1</b>	<b>1616500</b>	<b>SET DOOR SEALS MONTREAL</b>	<b>SEK1,865.49</b>
<b>2</b>	<b>1616510</b>	<b>SET HORIZONTAL WEATHER STRIPS MONTREAL</b>	<b>SEK961.95</b>
<b>3</b>	<b>1616450</b>	<b>SET DOOR GLASS CHANNEL SEALS MONTREAL</b>	<b>SEK926.99</b>



**1** 1630050 OE. 105645225201 GROMMET MONTREAL

**SEK1,040.63**

# Verglasung/Glazing Montreal



<b>1</b>	<b>1346460</b>	<b>FRONT SCREEN MONTREAL GREEN</b>	<b>SEK6,984.12</b>
<b>2</b>	<b>1630010</b>	<b>FRONT SCREEN CHROME TRIM RETAINING CLIP MONTREAL</b>	<b>SEK69.93</b>
<b>3</b>	<b>1616470</b>	<b>FRONT SCREEN RUBBER SEAL MONTREAL</b>	<b>SEK5,001.94</b>
<b>4</b>	<b>1610501</b>	<b>SEAL FOR QUARTERLIGHT MONTREAL LEFT SIDE</b>	<b>SEK3,672.85</b>
<b>4</b>	<b>1610502</b>	<b>SEAL FOR QUARTERLIGHT MONTREAL RIGHT SIDE</b>	<b>SEK3,672.85</b>
<b>5</b>	<b>1346470</b>	<b>REAR SCREEN MONTREAL GREEN</b>	<b>SEK11,426.48</b>
<b>6</b>	<b>1613080</b>	<b>REAR SCREEN SEAL MONTREAL AT THE BODY</b>	<b>SEK3,719.47</b>
<b>7</b>	<b>1613070</b>	<b>REAR SCREEN SEAL MONTREAL AT THE REAR SCREEN</b>	<b>SEK3,019.89</b>
<b>8</b>	<b>1186450</b>	<b>SET REAR HATCH STRUTS MONTREAL</b>	<b>SEK2,040.46</b>
<b>9</b>	<b>1330110</b>	<b>MOUNTING BRACKETS SET FOR REAR WINDOW FRAME MONTREAL</b>	<b>SEK347.43</b>

# Außenspiegel/Mirror Montreal

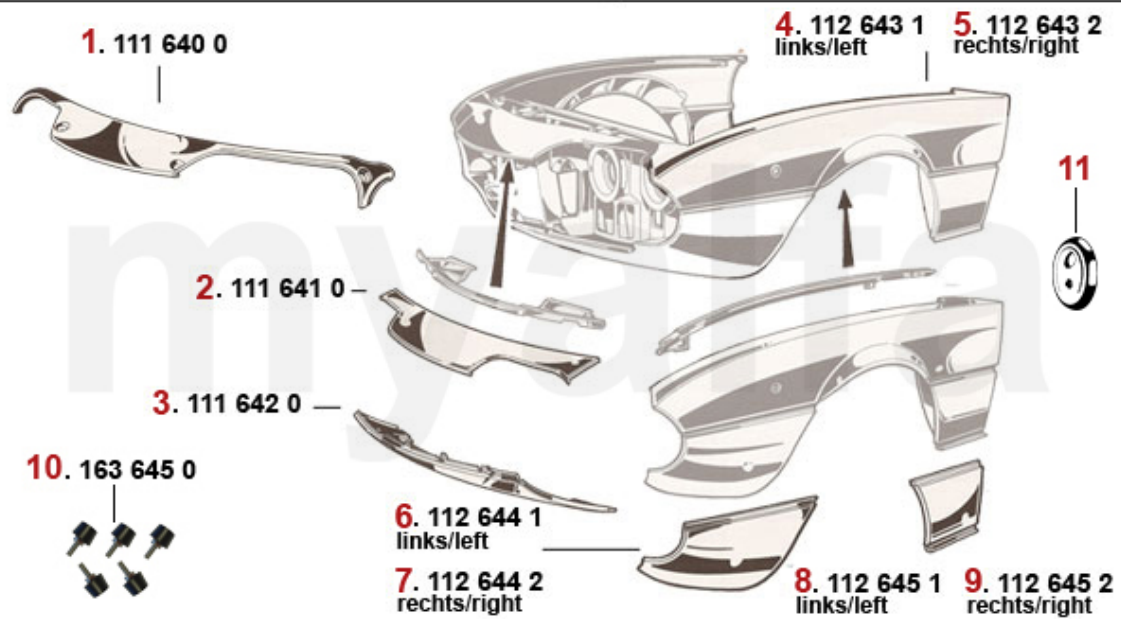
---



<b>1</b>	<b>1400170</b>	<b>DOOR MIRROR CHROME ROUND ALFA BADGE INCLUDING RUBBER PAD</b>	<b>SEK571.37</b>
<b>2</b>	<b>1631700</b>	<b>RUBBER PAD ROUND DOOR MIRROR</b>	<b>SEK73.40</b>

<b>1</b>	<b>1516410</b>	<b>OUTER HEADLIGHT H1 CARELLO WITHOUT PARKING LIGHT (136mm) MONTREAL / ZAGATO JUNIOR</b>	<b>SEK884.95</b>
<b>1</b>	<b>1516400</b>	<b>OUTER HEADLIGHT H1 CARELLO WITH PARKING LIGHT (136mm) MONTREAL/ZAGATO JUNIOR</b>	<b>SEK884.95</b>
<b>2</b>	<b>1516420</b>	<b>INNER HEADLIGHT H1 CARELLO (136mm) 102/106 SPRINT, BERLINA, 106 SPIDER / MONTREAL / ZAGATO JUNIOR</b>	<b>SEK815.02</b>
<b>3</b>	<b>1590101</b>	<b>VACUUM CAN BONALDI HEADLIGHT COVER MONTREAL LEFT NEW</b>	<b>SEK4,547.25</b>
<b>3</b>	<b>1590102</b>	<b>VACUUM CAN BONALDI HEADLIGHT COVER MONTREAL RIGHT NEW</b>	<b>SEK4,547.25</b>
<b>4</b>	<b>1546420</b>	<b>INDICATOR MONTREAL WHITE FRONT</b>	<b>On request</b>
<b>5</b>	<b>1550510</b>	<b>INDICATOR REPEATOR GT BERTONE / SPIDER ROUND</b>	<b>SEK220.34</b>
<b>6</b>	<b>1570140</b>	<b>LIGHT UNDER BONNET/TRUNK/ GLOVE BOX</b>	<b>SEK197.03</b>
<b>7</b>	<b>1586450</b>	<b>SET REAR LIGHT LENSES MONTREAL MONTREAL CARELLO 6 PIECES</b>	<b>SEK5,771.58</b>
<b>8</b>	<b>1596460</b>	<b>REAR LIGHT GLASS SEALS (SET) MONTREAL</b>	<b>SEK577.20</b>
<b>9</b>	<b>1596450</b>	<b>SET REAR LIGHT SEALS MONTREAL</b>	<b>SEK849.98</b>

# Karosserieteile vorne/Body Parts front Montreal

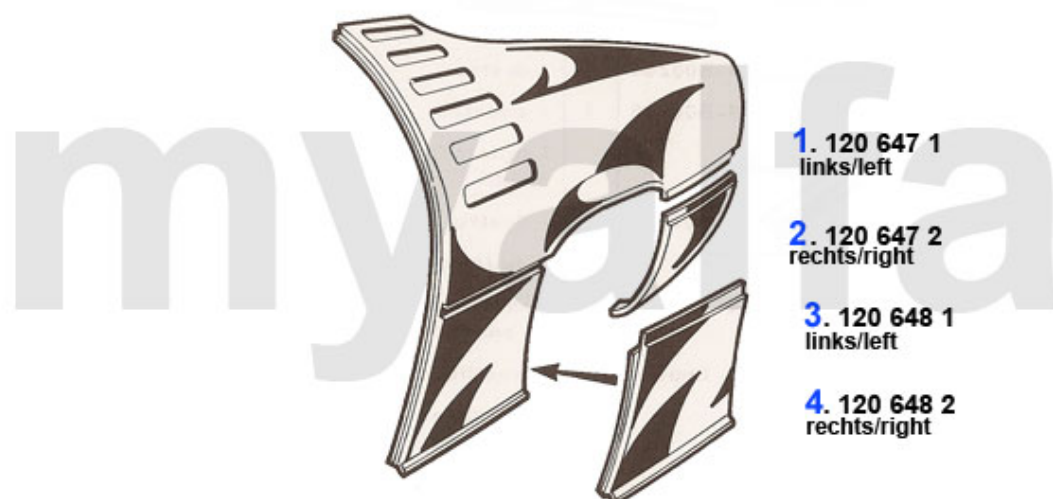


<b>1</b>	<b>1116400</b>	<b>INNER SUPPORT PANEL FOR FRONT PANEL MONTREAL</b>	<b>On request</b>
<b>2</b>	<b>1116410</b>	<b>UPPER FRONT PANEL MONTREAL</b>	<b>SEK8,919.68</b>
<b>3</b>	<b>1116420</b>	<b>FRONT VALANCE MONTREAL</b>	<b>SEK9,909.53</b>
<b>4</b>	<b>1126431</b>	<b>UPPER FRONT WING SECTION MONTREAL LEFT</b>	<b>On request</b>
<b>5</b>	<b>1126432</b>	<b>UPPER FRONT WING SECTION MONTREAL RIGHT</b>	<b>On request</b>
<b>6</b>	<b>1126441</b>	<b>LOWER FRONT WING SECTION MONTREAL FRONT LEFT</b>	<b>SEK5,001.94</b>
<b>7</b>	<b>1126442</b>	<b>LOWER FRONT WING SECTION MONTREAL FRONT RIGHT</b>	<b>SEK5,001.94</b>
<b>8</b>	<b>1126451</b>	<b>LOWER FRONT WING SECTION MONTREAL REAR LEFT</b>	<b>SEK4,419.05</b>
<b>9</b>	<b>1126452</b>	<b>LOWER FRONT WING SECTION MONTREAL REAR RIGHT</b>	<b>SEK4,419.05</b>
<b>10</b>	<b>1636450</b>	<b>SET BONNET STOPS MONTREAL 4 PIECES</b>	<b>SEK1,504.05</b>
<b>11</b>	<b>1631450</b>	<b>OVAL GROMMET FOR HARNESS MONTREAL, 2 HOLES</b>	<b>SEK134.03</b>



<b>1</b>	<b>1166461</b>	<b>OUTER SILL MONTREAL LEFT</b>	<b>SEK4,616.07</b>
<b>1</b>	<b>1166462</b>	<b>OUTER SILL MONTREAL RIGHT</b>	<b>SEK4,616.07</b>
<b>2</b>	<b>1166451</b>	<b>MIDDLE SILL MONTREAL LEFT</b>	<b>SEK3,019.89</b>
<b>2</b>	<b>1166452</b>	<b>MIDDLE SILL MONTREAL RIGHT</b>	<b>SEK3,019.89</b>
<b>3</b>	<b>1166471</b>	<b>TOP SILL PANEL MONTREAL LEFT</b>	<b>SEK2,670.11</b>
<b>3</b>	<b>1166472</b>	<b>TOP SILL PANEL MONTREAL RIGHT</b>	<b>SEK2,670.11</b>
<b>4</b>	<b>1196441</b>	<b>LEFT OUTER SILL TRIM MONTREAL</b>	<b>SEK5,072.01</b>
<b>4</b>	<b>1196442</b>	<b>RIGHT OUTER SILL TRIM MONTREAL</b>	<b>SEK5,072.01</b>

## Karosserieteile hinten/Body Parts rear Montreal



1. 120 647 1  
links/left

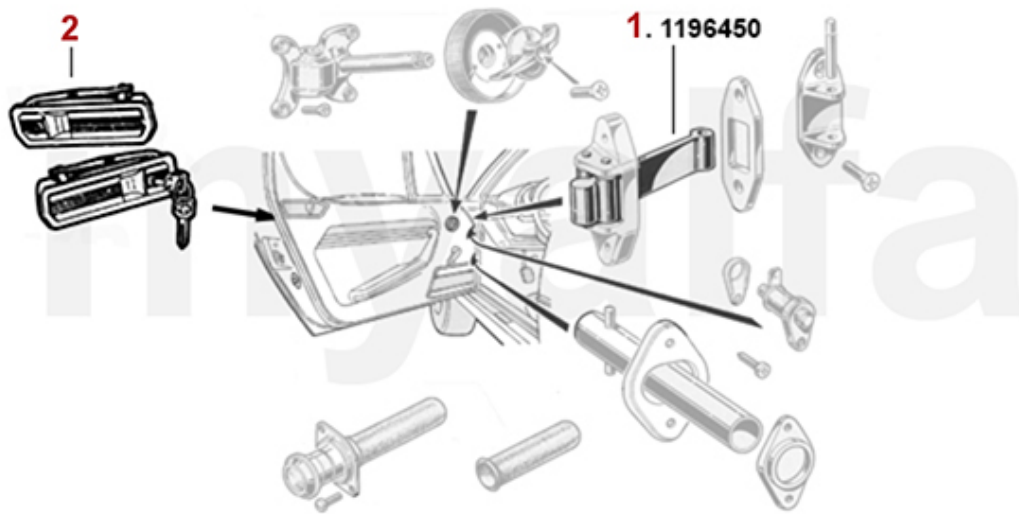
2. 120 647 2  
rechts/right

3. 120 648 1  
links/left

4. 120 648 2  
rechts/right

<b>1</b>	<b>1206471</b>	<b>REPAIR PANEL REAR WING MONTREAL REAR LEFT</b>	<b>SEK5,001.94</b>
<b>2</b>	<b>1206472</b>	<b>REPAIR PANEL REAR WING REAR RIGHT</b>	<b>SEK5,001.94</b>
<b>3</b>	<b>1206481</b>	<b>REPAIR PANEL REAR WING FRONT LEFT</b>	<b>SEK4,535.60</b>
<b>4</b>	<b>1206482</b>	<b>REPAIR PANEL REAR WING FRONT RIGHT</b>	<b>SEK4,535.60</b>

# Türmechanik/Door Mechanical Montreal

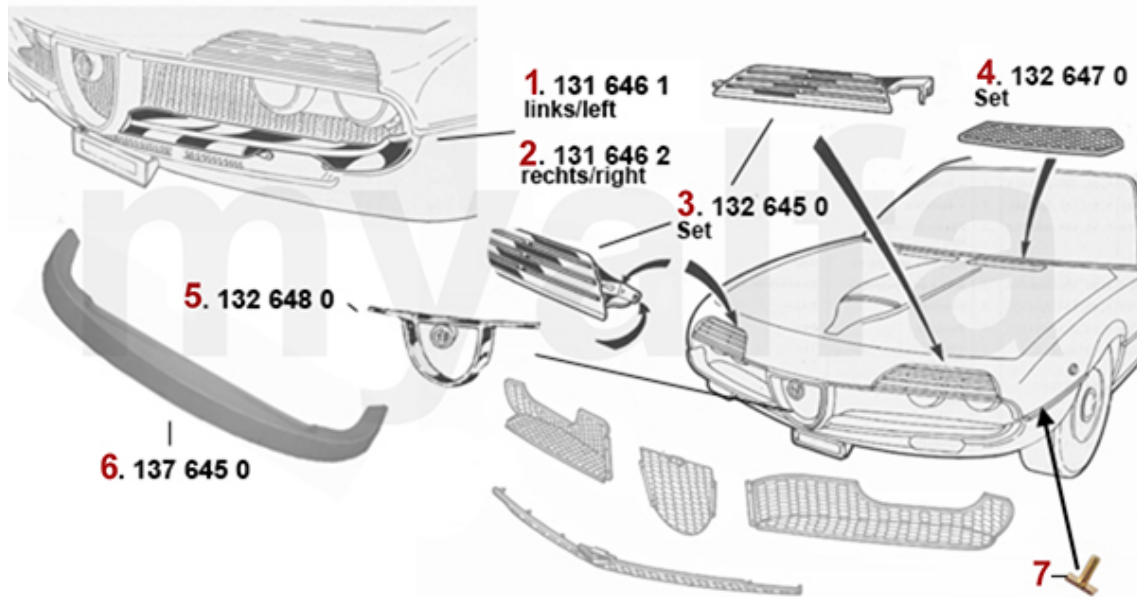


- 1 1196450 DOOR RETAINING STRAP MONTREAL (SET FOR 1 SIDE)**
- 2 1176470 SET (2) OUTER DOOR HANDELS 116 GT/GTV, MONTREAL**

**SEK1,048.26**

**SEK4,185.81**

# Stoßstangen/Bumpers Montreal



1	1316461	BUMPER MONTREAL FRONT LEFT	On request
2	1316462	BUMPER MONTREAL FRONT RIGHT	On request
3	1326450	SET HEADLIGHT COVERS MONTREAL	SEK11,543.03
4	1326470	SET SCUTTLE GRIDS MONTREAL	SEK2,903.21
5	1326480	CENTER HEART MONTREAL	On request
6	1376450	FRONT SPOILER MONTREAL	SEK2,670.11
7	1330030	CLIP FOR TRIM MONTREAL	SEK22.20

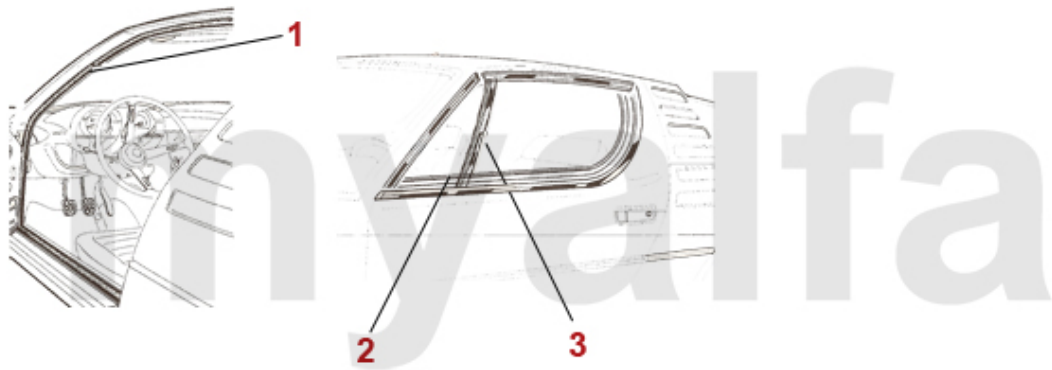
# Schriftzüge-Embleme/Lettering Montreal



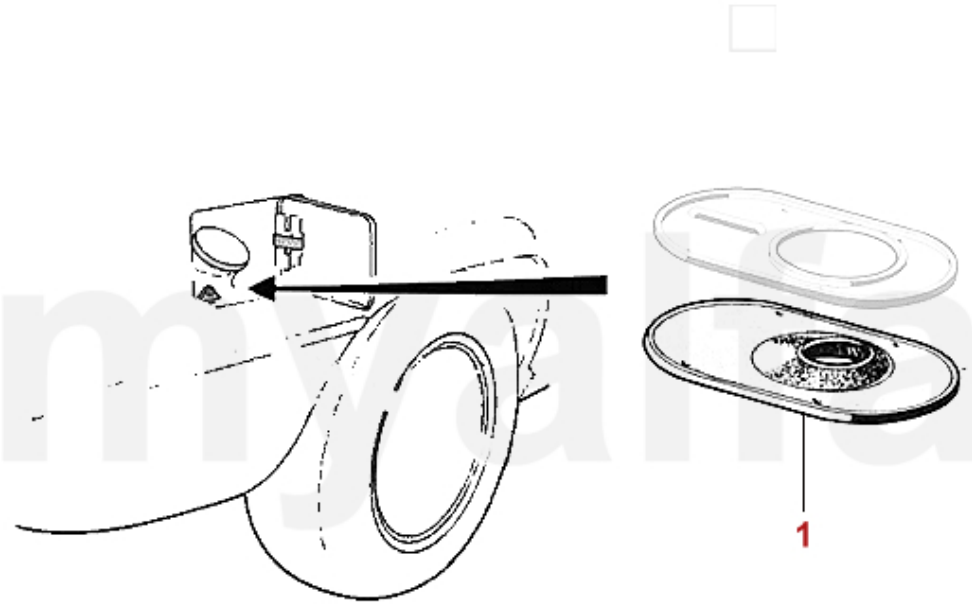
<b>1</b>	<b>1360010</b>	<b>BADGE 55 mm Alfa Romeo</b>	<b>SEK349.23</b>
<b>2</b>	<b>1360020</b>	<b>BADGE 55 mm Alfa Romeo MILANO</b>	<b>SEK349.23</b>
<b>3</b>	<b>1360030</b>	<b>BADGE 55mm "ALFA ROMEO MILANO" ENAMEL</b>	<b>SEK465.78</b>
<b>4</b>	<b>1360500</b>	<b>BADGE ALUMINIUM WHEEL BLACK / SILVER BACKGROUND 48 mm</b>	<b>SEK92.13</b>
<b>5</b>	<b>1360510</b>	<b>CIRCLIP BADGE ALUMINIUM WHEEL 48 mm</b>	<b>SEK43.15</b>
<b>6</b>	<b>1366450</b>	<b>BASE FOR REAR BADGE MONTREAL</b>	<b>SEK991.09</b>
<b>7</b>	<b>1366460</b>	<b>BADGE "b" BERTONE MONTREAL INCLUDING RUBBER PAD</b>	<b>SEK991.09</b>
<b>8</b>	<b>1366470</b>	<b>BADGE "Torino" MONTREAL ENAMEL</b>	<b>SEK687.92</b>
<b>9</b>	<b>1360300</b>	<b>SCRIPT "ALFA ROMEO" MONTREAL</b>	<b>SEK2,670.11</b>

# Dichtgummis/Rubber Gaskets Montreal

---



<b>1</b>	<b>1616500</b>	<b>SET DOOR SEALS MONTREAL</b>	<b>SEK1,865.49</b>
<b>2</b>	<b>1616510</b>	<b>SET HORIZONTAL WEATHER STRIPS MONTREAL</b>	<b>SEK961.95</b>
<b>3</b>	<b>1616450</b>	<b>SET DOOR GLASS CHANNEL SEALS MONTREAL</b>	<b>SEK926.99</b>



**1** 1630050 OE. 105645225201 GROMMET MONTREAL

**SEK1,040.63**

# Dämmmatten/Insulating Mats

---



1. 970 235 0  
50X100 cm



**1 9702350** **INSULATING MAT ORIGINAL MATERIAL 50 x 100 cm**

**SEK292.62**



<b>1</b>	<b>1756460</b>	<b>HEADLINING MONTREAL CREME</b>	<b>SEK3,789.40</b>
<b>1</b>	<b>1756470</b>	<b>HEADLINING MONTREAL BLACK</b>	<b>SEK3,789.40</b>

# Teppichsatz/Carpet Set Montreal

**1. 171 641 1**  
Velours schwarz/  
velours black

**2. 171 641 2**  
Velours grau/  
velours grey

**3. 171 641 3**  
Velours hellbeige/  
velours pale beige

**4. 171 641 4**  
Velours dunkelblau/  
Velours dark blue

**5. 171 642 5**  
Feinvelours bordeaux/  
softvelours bordeaux

**6.173 645 0**  
Leder schwarz/  
leather black



**7. 176 646 0**  
Leder schwarz/  
leather black

<b>1</b>	<b>1716411</b>	<b>CARPET SET MONTREAL VELOURS BLACK</b>	<b>SEK6,820.95</b>
<b>2</b>	<b>1716412</b>	<b>CARPET SET MONTREAL VELOURS GRAY</b>	<b>SEK5,246.83</b>
<b>3</b>	<b>1716413</b>	<b>CARPET SET MONTREAL VELOURS LIGHT BEIGE</b>	<b>SEK5,934.75</b>
<b>4</b>	<b>1716414</b>	<b>CARPET SET MONTREAL VELOURS DARK BLUE</b>	<b>SEK6,237.92</b>
<b>5</b>	<b>1716425</b>	<b>CARPET SET MONTREAL VELOURS BORDEAUX</b>	<b>SEK5,934.75</b>
<b>6</b>	<b>1736450</b>	<b>GEAR LEVER GAITER MONTREAL LEATHER BLACK</b>	<b>SEK698.47</b>
<b>6</b>	<b>1736460</b>	<b>GEAR LEVER GAITER MONTREAL LEATHER BEIGE</b>	<b>SEK698.47</b>
<b>7</b>	<b>1766460</b>	<b>HANDBRAKE GAITER MONTREAL LEATHER BLACK</b>	<b>SEK915.33</b>
<b>7</b>	<b>1766470</b>	<b>HANDBRAKE LEVER GAITER MONTREAL SCAY BEIGE</b>	<b>SEK448.86</b>



**1 1722780 SET FLOOR MATS MONTREAL VELOURS BLACK**

**SEK1,107.64**

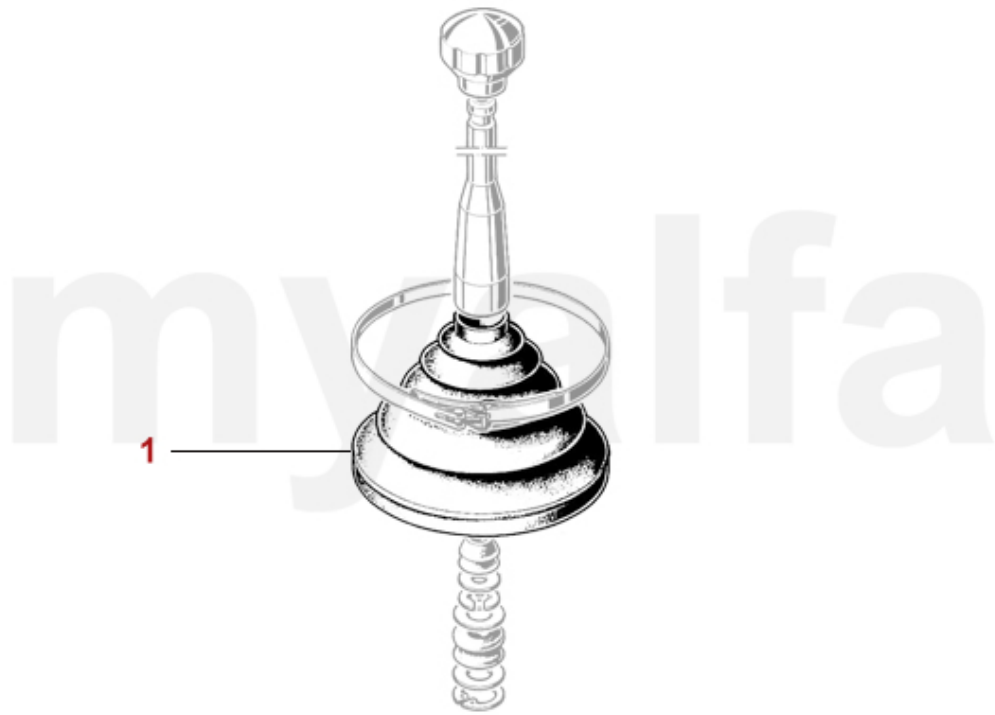
<b>1</b>	<b>1716430</b>	<b>BOOT CARPET SET MONTREAL VELOURS BLACK</b>	<b>SEK3,952.57</b>
<b>1</b>	<b>1716450</b>	<b>TRUNK CARPET SET MONTREAL VELOURS BLUE 129</b>	<b>SEK5,001.94</b>
<b>1</b>	<b>1716460</b>	<b>TRUNK CARPET SET MONTREAL VELOURS BORDEAUX 158</b>	<b>SEK3,719.47</b>
<b>1</b>	<b>1716470</b>	<b>TRUNK CARPET SET MONTREAL VELOURS GREY 126</b>	<b>SEK3,719.47</b>
<b>1</b>	<b>1716480</b>	<b>TRUNK CARPET SET MONTREAL VELOURS BRIGHT BEIGE 118</b>	<b>SEK4,139.19</b>

# Sitzbezüge/Seat Cover Montreal



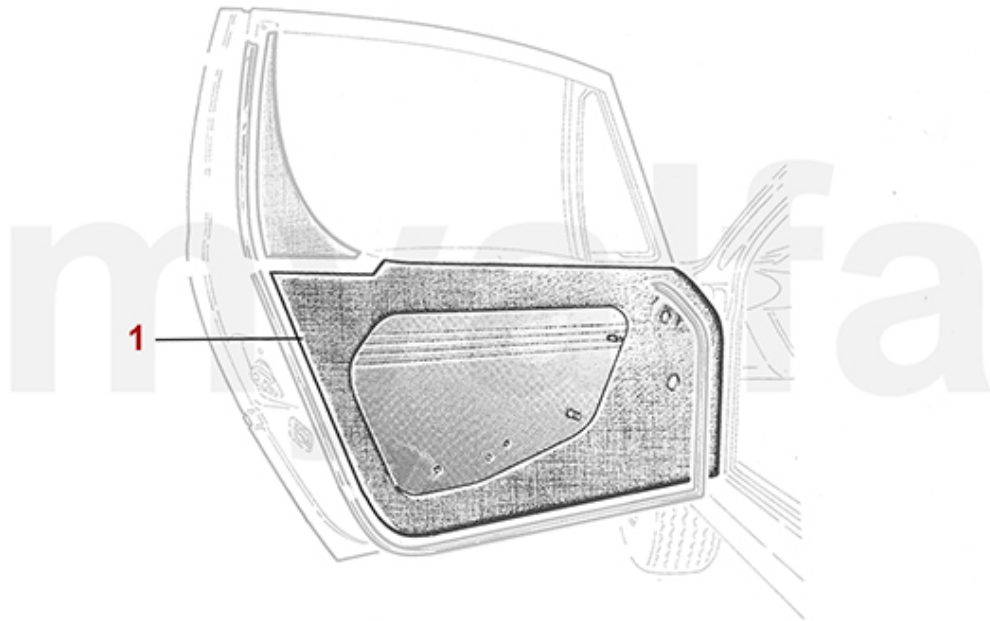
<b>1</b>	<b>1706410</b>	<b>SEAT COVER MONTREAL FRONT VINYL SKAI BLACK</b>	<b>SEK4,197.47</b>
<b>1</b>	<b>1706420</b>	<b>SEAT COVER MONTREAL FRONT VINYL SKAI BLACK / CLOTH GRAY</b>	<b>SEK4,768.84</b>
<b>1</b>	<b>1706430</b>	<b>SEAT COVER MONTREAL FRONT LEATHER BLACK</b>	<b>SEK20,509.33</b>
<b>1</b>	<b>1706440</b>	<b>SEAT COVER MONTREAL FRONT VINYL SKAI BLACK / CLOTH BLACK</b>	<b>SEK4,768.84</b>
<b>1</b>	<b>1706450</b>	<b>FRONT SEAT COVER MONTREAL LEATHER/FABRIC BLUE 889+666</b>	<b>SEK22,095.11</b>
<b>1</b>	<b>1706460</b>	<b>FRONT SEAT COVER MONTREAL LEATHER/FABRIC BLACK</b>	<b>SEK8,103.56</b>
<b>2</b>	<b>1760110</b>	<b>SET COVERS FOR HEADREST ADJUSTMENT MONTREAL</b>	<b>SEK921.16</b>
<b>3</b>	<b>1760100</b>	<b>SET SEATBELT GUIDES MONTREAL</b>	<b>SEK523.50</b>

<b>1</b>	<b>1781430</b>	<b>SET HORN BUTTON SURROUND 53 mm, HELLEBORE, 3 PIECES</b>	<b>SEK173.72</b>
<b>2</b>	<b>1731390</b>	<b>HEATER FASCIA PANEL CHROME GT BERTONE</b>	<b>On request</b>
<b>3</b>	<b>1736410</b>	<b>UPPER FASCIA CONSOLE MONTREAL</b>	<b>SEK2,553.42</b>
<b>4</b>	<b>1736420</b>	<b>FACIA GEAR CONSOLE MONTREAL</b>	<b>SEK3,019.89</b>
<b>5</b>	<b>1736430</b>	<b>RADIO BLANKING PLATE MONTREAL</b>	<b>On request</b>
<b>6</b>	<b>1781050</b>	<b>SHIFT KNOB WOOD MAHOGANY RED WITH BIG BADGE</b>	<b>On request</b>
<b>7</b>	<b>1780630</b>	<b>SHIFT KNOB WOOD WITH SMALL BADGE</b>	<b>On request</b>
<b>8</b>	<b>1780140</b>	<b>GEAR-SHIFT KNOB - wood ERGONOMIC without emblem</b>	<b>On request</b>



**1 4130080 GEARSTICK GAITER MONTREAL**

**SEK1,040.63**



**1 1745460 SET INNER DOOR TRIM PANELS MONTREAL BLACK**

**SEK16,894.89**



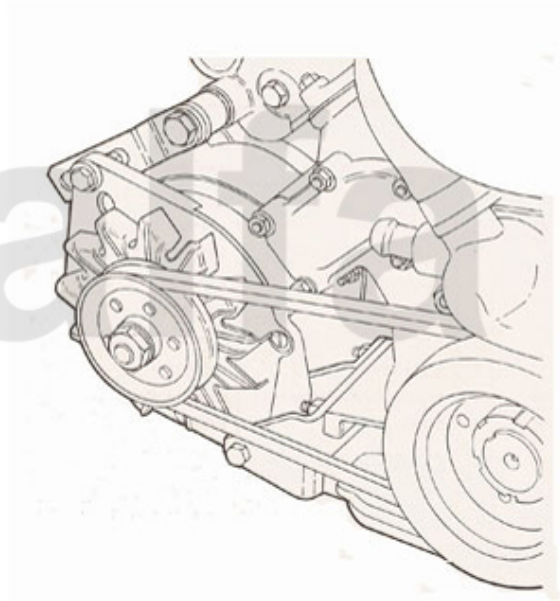
<b>1</b>	<b>9300580</b>	<b>BODY VIN PLATE (BLANK)</b>	<b>SEK250.72</b>
<b>1</b>	<b>9300590</b>	<b>BODY TYPE PLATE MONTREAL, 105.64</b>	<b>SEK250.72</b>

# Keilriemen/V-Belts Montreal

---

**1. 270 10775**  
Generator  
9,5/10 x 775

**2. 270 10990**  
Servolenkung/  
Powersteering  
9,5/10 x 990



**1 27010775 V-BELT ALTERNATOR MONTREAL, 9,5 x 775**

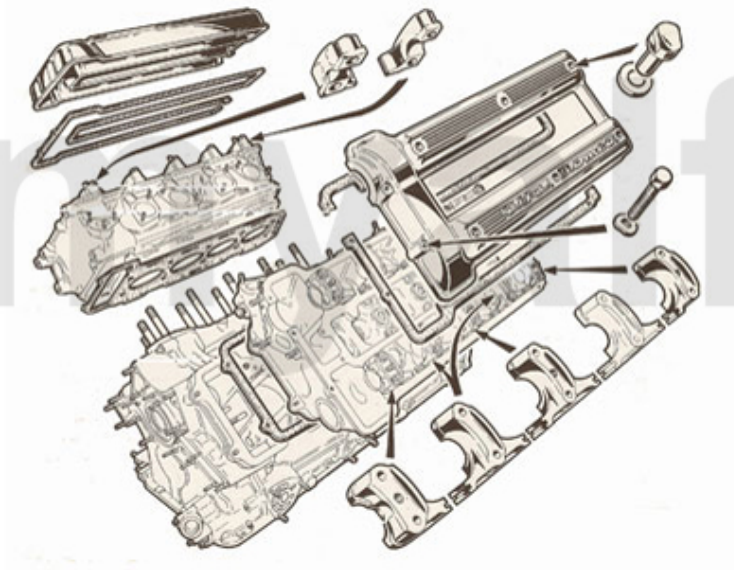
**SEK181.90**

**2 27010990 V-BELT POWER STEERING MONTREAL, 9,5 x 990**

**SEK170.25**

# Kopfdichtsatz/Head Set Montreal

---

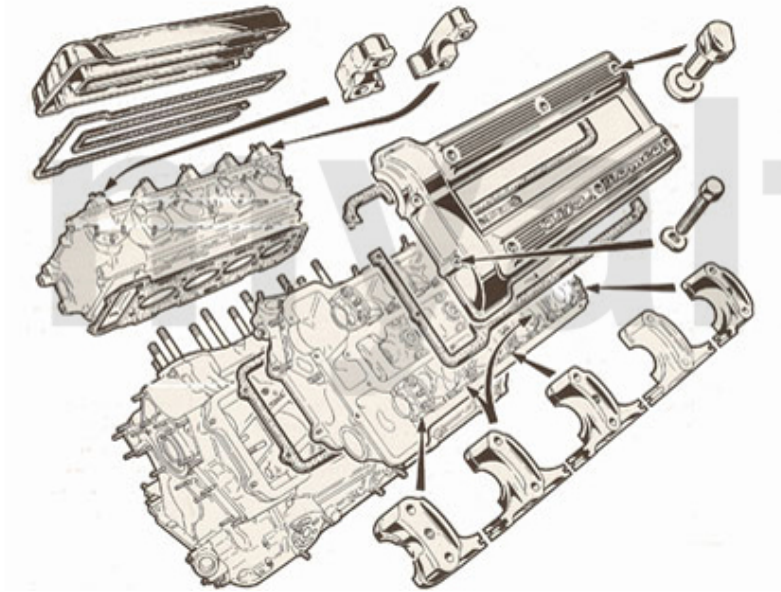


**1 2326450 HEAD OVERHAUL SET MONTREAL WITH HEAD GASKETS**

*On request*

# Motordichtsatz/Full Set Montreal

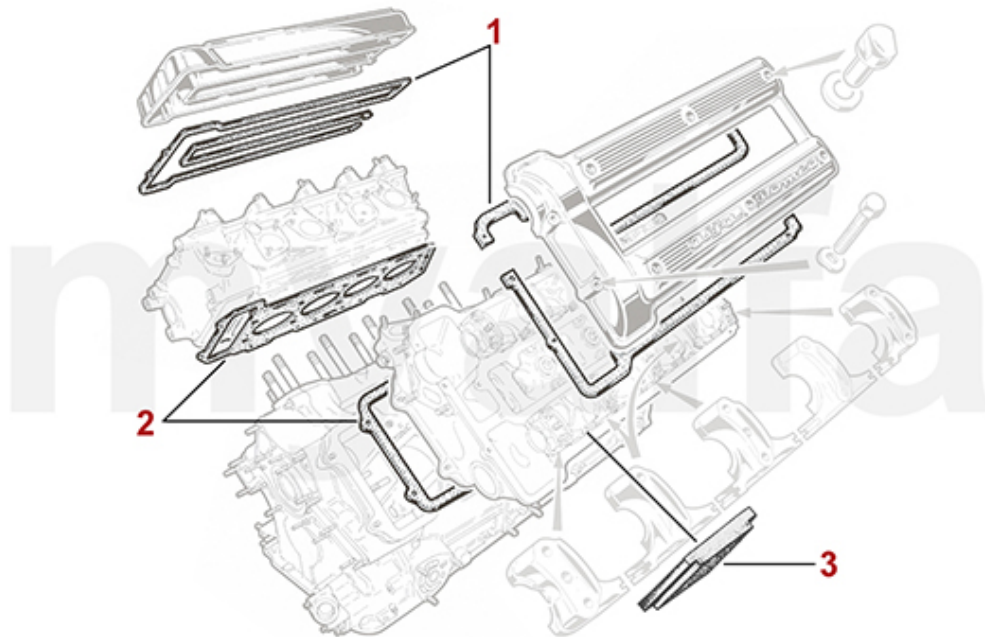
---



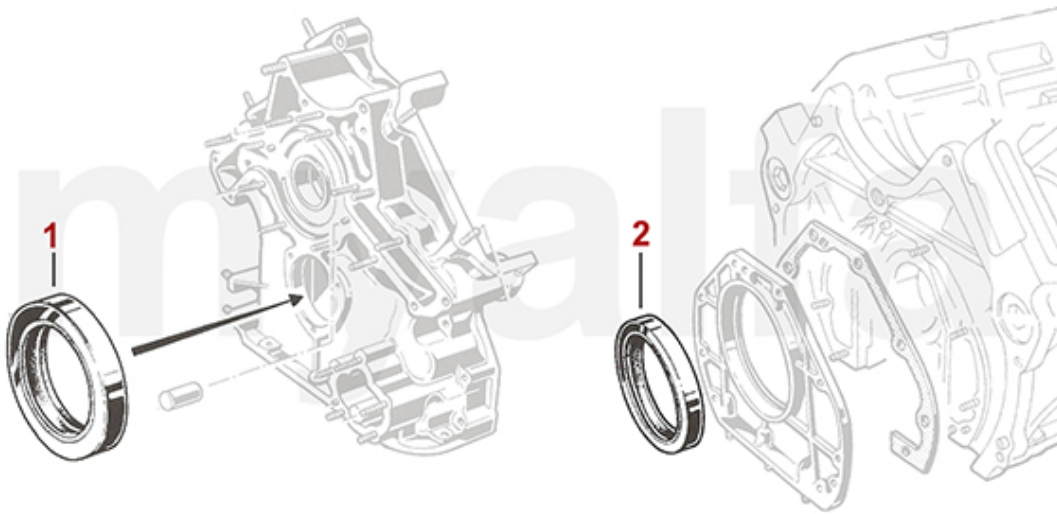
**1. 231 646 0**  
ohne Simmeringe/  
without oil seals

**1 2316460 FULL ENGINE GASKET SET MONTREAL WITH HEAD GASKETS LESS OIL SEALS**

**SEK3,252.99**



<b>1</b>	<b>2336410</b>	<b>SET CAM COVER GASKETS MONTREAL</b>	<b>SEK846.51</b>
<b>2</b>	<b>2336450</b>	<b>SET HEAD GASKETS MONTREAL ELRING</b>	<b>SEK4,069.26</b>
<b>3</b>	<b>2336400</b>	<b>RUBBER BLOCK MONTREAL VALVE COVER GASKET</b>	<b>SEK103.79</b>



**1 2336460 OIL SEAL CRANK SHAFT MONTREAL FRONT**

**SEK320.65**

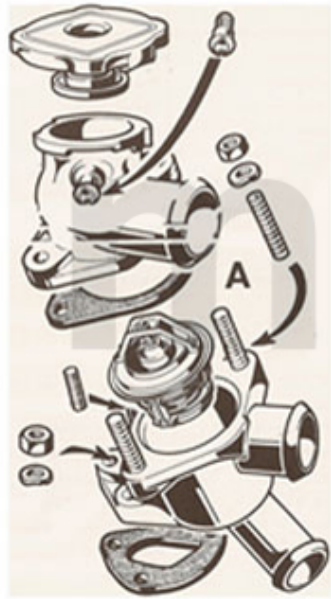
**2 2330230 OIL SEAL CRANK SHAFT REAR 82/105/12 750/101/105/115/116 UP TO 1989, OEM QUALITY**

**SEK383.64**



# Thermostat Montreal

---



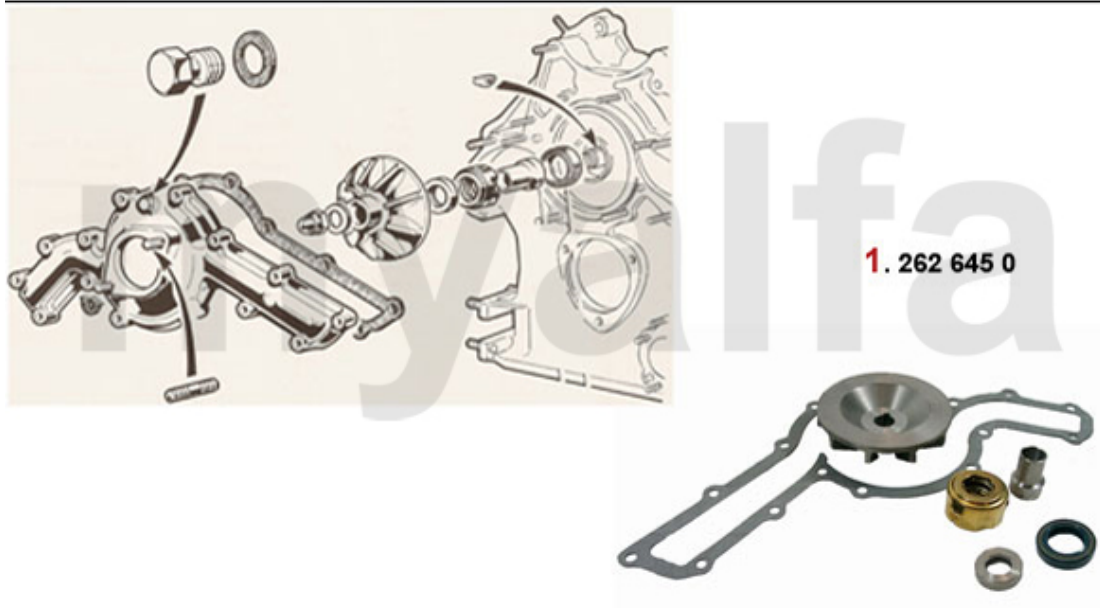
1. 263 005 0

1 2630050 THERMOSTAT MONTREAL 79 DEGREE CELSIUS

SEK465.23



# Wasserpumpe/Waterpump Montreal



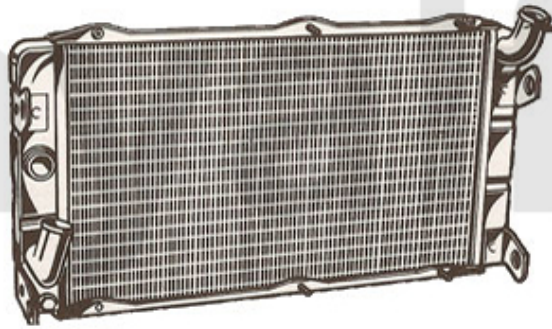
**1 2626450** REPAIR KIT WATERPUMP MONTREAL

**SEK3,152.82**

# Motorkühler/Radiator Montreal

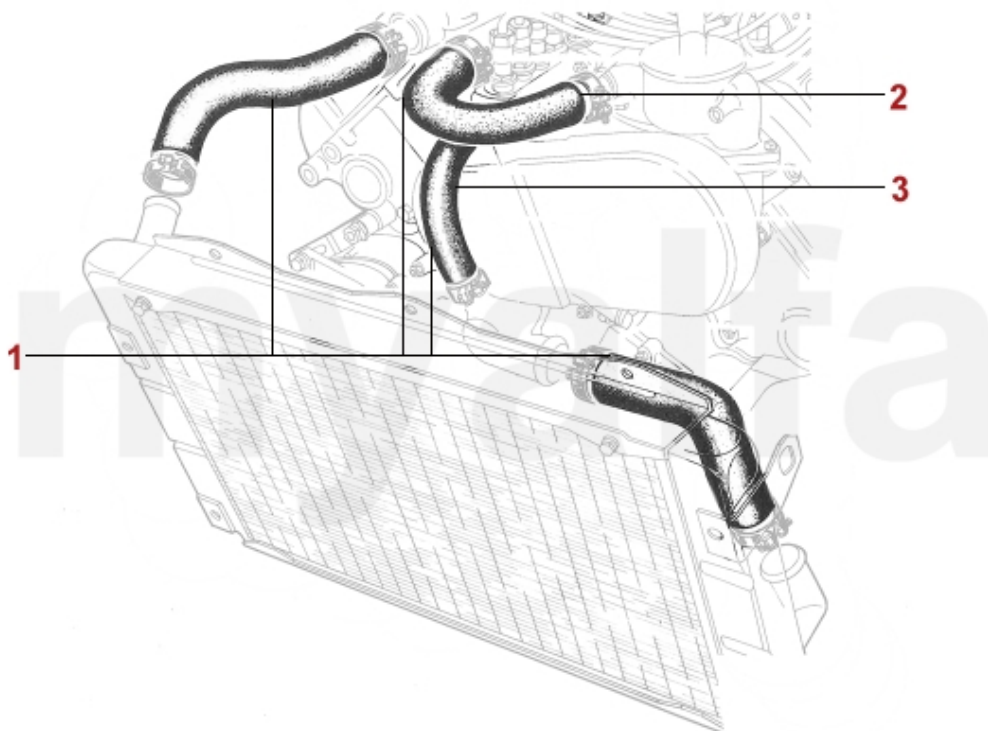
---

1. 261 645 0



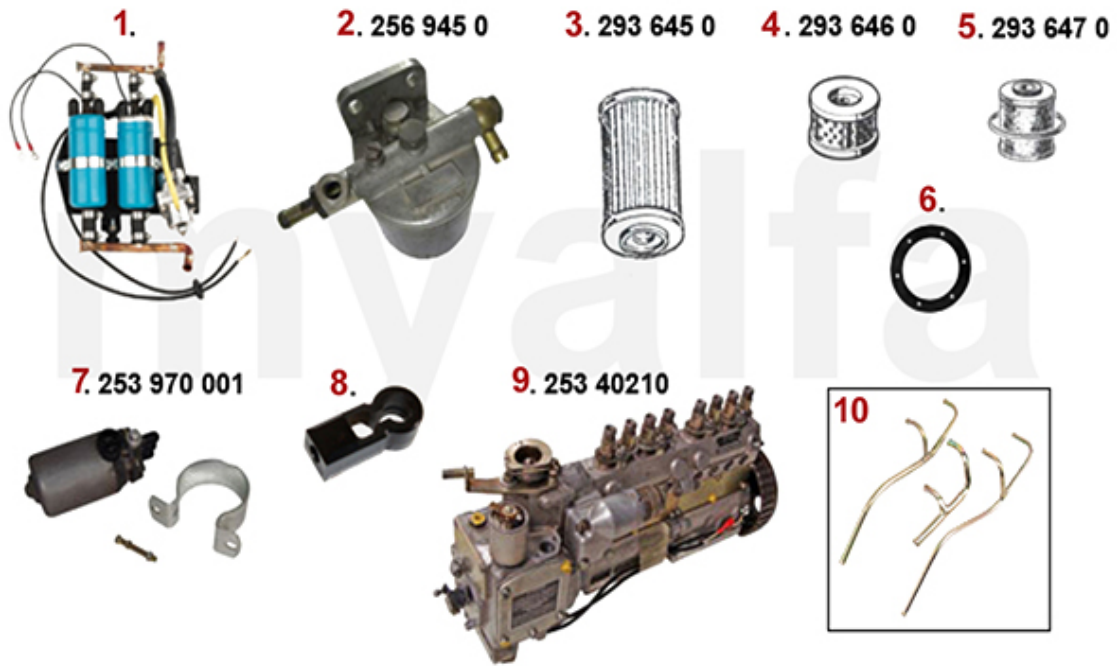
1 2616450 RADIATOR MONTREAL EXCHANGE

SEK6,943.33



<b>1</b>	<b>2660730</b>	<b>SET (4pc) COOLANT HOSES MONTREAL</b>	<b>SEK1,620.74</b>
<b>2</b>	<b>26615761</b>	<b>RADIATOR HOSE MONTREAL CYLINDER HEAD BYPASS</b>	<b>On request</b>
<b>3</b>	<b>26615764</b>	<b>RADIATOR HOSE WATER PUMP CYLINDER HEAD MONTREAL</b>	<b>On request</b>

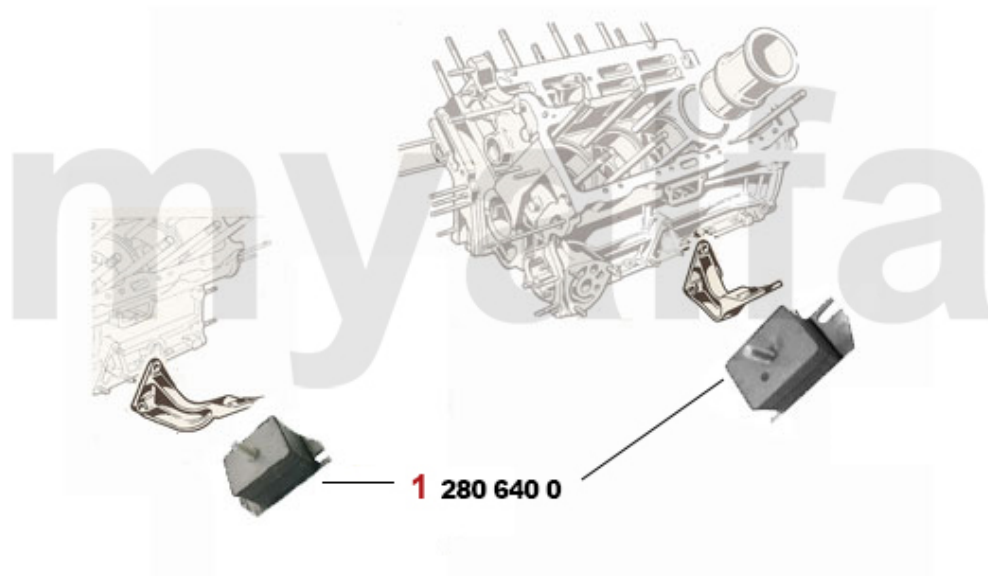
# Kraftstoffförderung/Fuel System Montreal



<b>1</b>	<b>2537020</b>	<b>FUEL PUMP SET MONTREAL</b>	<b>On request</b>
<b>2</b>	<b>2569450</b>	<b>FUEL PRESSURE REGULATOR MONTREAL</b>	<b>SEK1,743.12</b>
<b>3</b>	<b>2936450</b>	<b>OIL FILTER INJECTION PUMP SPICA MONTREAL</b>	<b>SEK465.23</b>
<b>4</b>	<b>2936460</b>	<b>FUEL FILTER Tank MONTREAL</b>	<b>SEK543.35</b>
<b>5</b>	<b>2936470</b>	<b>FUEL FILTER MONTREAL</b>	<b>SEK395.30</b>
<b>6</b>	<b>8650180</b>	<b>RUBBER GASKET SEAL FUEL FILTER TANK MONTREAL</b>	<b>SEK220.34</b>
<b>7</b>	<b>25370001</b>	<b>FUEL PUMP MONTREAL</b>	<b>On request</b>
<b>8</b>	<b>2521350</b>	<b>BALL SOCKET/JOINT HEAD MONTREAL, REGULATING LINKAGE INJECTION PUMP</b>	<b>SEK107.25</b>
<b>9</b>	<b>25340210</b>	<b>FUEL INJECTION PUMP MONTREAL</b>	<b>On request</b>
<b>10</b>	<b>2537040</b>	<b>FUEL PIPE SET AT FUEL PUMPS - MONTREAL</b>	<b>SEK2,378.59</b>

# Motorlager/Enginemount Montreal

---

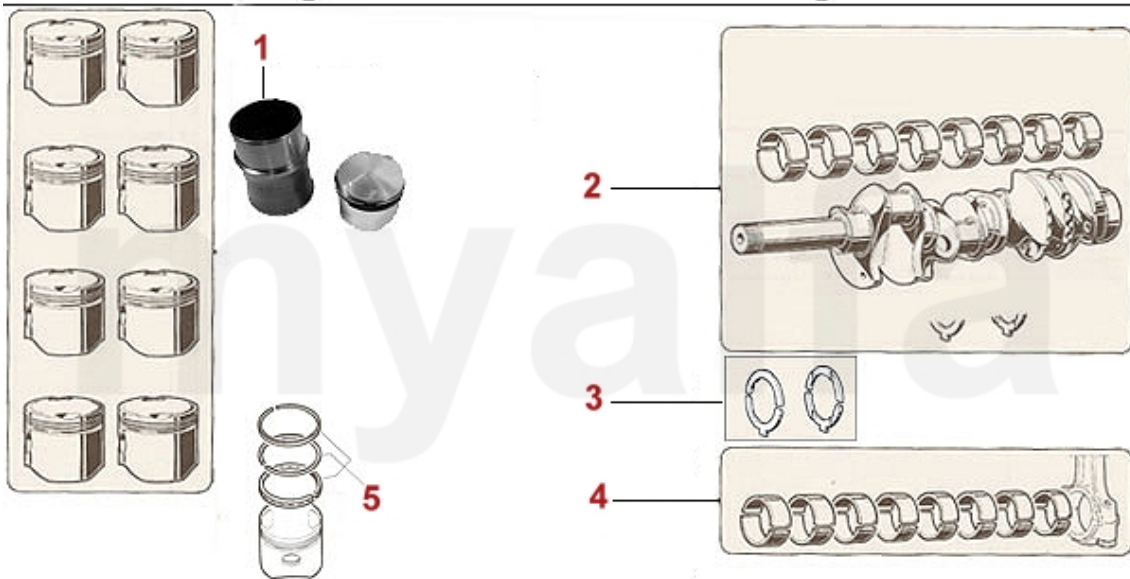


**1 2806400** SET ENGINE MOUNTS MONTREAL

**SEK2,087.08**

1	2236400	INTAKE VALVE MONTREAL 37 mm	SEK383.64
2	2236410	EXHAUST VALVE MONTREAL 33 mm	SEK383.64
3	2230400	VALVE GUIDE INTAKE STANDARD 9 x 14,05 x 51	SEK122.38
3	2231600	VALVE GUIDE INTAKE OVERSIZE 0.10 9 x 14,10 x 51	SEK162.06
3	2231610	VALVE GUIDE INTAKE OVERSIZE 0.20 9 x 14,15 x 51	SEK162.06
3	2230420	VALVE GUIDE EXHAUST STANDARD 9 x 14,05 x 54	SEK127.10
3	2231620	VALVE GUIDE EXHAUST OVERSIZE 0.10 9 x 14,10 x 54	SEK173.72
4	2332550	VALVE SEAL REINZ	SEK57.17
5	2232920	VALVE SPRING CUP	On request
6	2232950	SHIM VALVE CUP / SPRING	SEK41.35
7	2232740	SET VALVE SPRINGS 16 PIECES	SEK991.09
8	2232960	VALVE COTTER 9MM	SEK22.20
9	2431140	SET VALVE SHIMS 200 PIECES 2,525 - 3,5 mm, DIAMETER 9mm	SEK6,517.78
9	2430840	SET VALVE SHIMS 205 PIECES 1,5 - 2,5 mm, DIAMETER 9mm	SEK6,517.78
9	2430430	VALVE SHIM 9MM PLEASE SUBMIT THE SIZE YOU NEED	SEK144.58
10	2416430	TIMING BELT INJECTION PUMP MONTREAL	SEK571.37
11	24161020	TIMING CHAIN MONTREAL RIGHT IWIS	SEK931.57
12	24160980	TIMING CHAIN MONTREAL LEFT IWIS	SEK921.16
13	24160500	TIMING CHAIN MONTREAL SHORT IWIS	SEK565.55
14	24155030	TIMING CHAIN OIL PUMP MONTREAL IWIS	SEK687.92
15	2426470	SET SLIDE RAILS MONTREAL, PTFE TEFLON	SEK3,474.58
16	2421050	LOWER CHAIN TENSIONER 2600 / 105/115 / Montreal	SEK629.65
17	2240680	CAM FOLLOWER OE-QUALITY 101/105/115/116/75/155/164	SEK204.10
17	2240710	CAM FOLLOWER DLC RACING MADE IN ITALY 101/105/115/116/75/164	SEK460.51

# Kolben/Lager-Pistons/Bearings Montreal



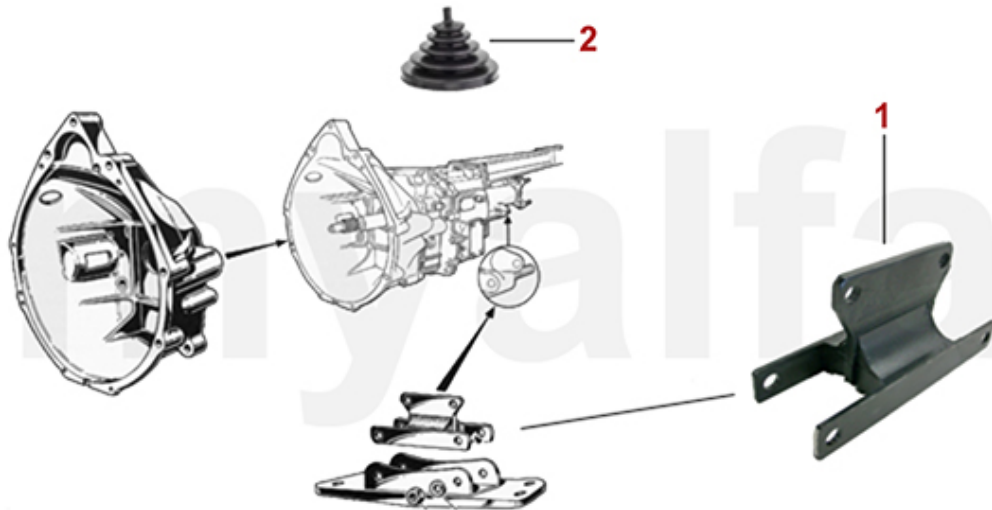
1	2216415	PISTON / LINER MONTREAL	SEK4,430.70
2	2256430	MAIN BEARINGS MONTREAL STANDARD	SEK4,768.84
2	2256431	MAIN BEARINGS MONTREAL +0,10	SEK4,768.84
2	2256432	MAIN BEARINGS MONTREAL +0,20	SEK4,768.84
2	2256433	MAIN BEARINGS MONTREAL +0,30	SEK5,584.97
2	2256434	MAIN BEARINGS MONTREAL +0,40	SEK5,584.97
3	2256440	SET THRUST WASHERS STD MONTREAL	SEK2,308.52
4	2266450	BIG END BEARINGS MONTREAL STANDARD	SEK4,069.26
4	2266451	BIG END BEARINGS MONTREAL +0,10	SEK4,069.26
4	2266452	BIG END BEARINGS MONTREAL +0,20	SEK4,419.05
4	2266453	BIG END BEARINGS MONTREAL +0,30	SEK4,419.05
4	2266454	BIG END BEARINGS MONTREAL +0,40	SEK5,362.27
5	2282265	SET PISTON RINGS MONTREAL (FOR 1 PISTON)	SEK454.68

<b>1</b>	<b>33207803</b>	<b>FRONT EXHAUST SECTION MONTREAL RIGHT</b>	<b>SEK3,952.57</b>
<b>2</b>	<b>33207813</b>	<b>FRONT EXHAUST SECTION MONTREAL LEFT</b>	<b>SEK3,952.57</b>
<b>3</b>	<b>34107806</b>	<b>MIDDLE EXHAUST SECTION MONTREAL RIGHT</b>	<b>SEK4,419.05</b>
<b>4</b>	<b>34107816</b>	<b>MIDDLE EXHAUST SECTION MONTREAL LEFT</b>	<b>SEK4,419.05</b>
<b>5</b>	<b>35107807</b>	<b>REAR EXHAUST SECTION MONTREAL RIGHT</b>	<b>SEK3,492.06</b>
<b>6</b>	<b>35107817</b>	<b>REAR EXHAUST SECTION MONTREAL LEFT</b>	<b>SEK3,492.06</b>
<b>7</b>	<b>38094407</b>	<b>GASKET EXHAUST MANIFOLD / FRONT EXHAUST SECTION MONTREAL</b>	<b>SEK99.07</b>
<b>8</b>	<b>38094047</b>	<b>O-RING REAR EXHAUST SECTION MONTREAL</b>	<b>SEK92.13</b>
<b>9</b>	<b>3800240</b>	<b>EXHAUST RUBBER MOUNT GTV6/MONTREAL REAR SECTION</b>	<b>SEK87.41</b>
<b>10</b>	<b>3800260</b>	<b>EXHAUST RUBBER HANGER</b>	<b>SEK58.28</b>
<b>11</b>	<b>3800510</b>	<b>EXHAUST HANGER RUBBER WASHER (SET 2)</b>	<b>SEK127.10</b>
<b>12</b>	<b>3800500</b>	<b>SET JACKET EXHAUST HANGER RUBBERS (2PC)</b>	<b>SEK67.43</b>
<b>13</b>	<b>3800280</b>	<b>GEARBOX EXHAUST HANGER BUSH</b>	<b>SEK110.72</b>



<b>1</b>	<b>2910050</b>	<b>SPIN-ON STYLE OIL FILTER</b>	<b>SEK115.44</b>
<b>1</b>	<b>2910230</b>	<b>OILFILTER ORANGE - ORIGINAL RETRO DESIGN</b>	<b>SEK208.68</b>
<b>1</b>	<b>2910220</b>	<b>SPIN-ON STYLE OIL FILTER ORIGINAL Alfa Romeo</b>	<b>SEK173.72</b>
<b>2</b>	<b>2920310</b>	<b>SET AIR FILTERS MONTREAL</b>	<b>SEK1,037.71</b>
<b>3</b>	<b>2526450</b>	<b>SET WING NUTS FOR MONTREAL AIR FILTER HOUSING (6 PC)</b>	<b>SEK931.57</b>
<b>4</b>	<b>2936460</b>	<b>FUEL FILTER Tank MONTREAL</b>	<b>SEK543.35</b>
<b>5</b>	<b>2936470</b>	<b>FUEL FILTER MONTREAL</b>	<b>SEK395.30</b>
<b>6</b>	<b>2936450</b>	<b>OIL FILTER INJECTION PUMP SPICA MONTREAL</b>	<b>SEK465.23</b>

# Getriebe Anbauteile/Gear Mount Montreal



- 1** 4126410 REAR TRANSMISSION MOUNT MONTREAL
- 2** 4130080 GEARSTICK GAITER MONTREAL

SEK2,786.66  
SEK1,040.63

# Kupplung/Clutch Montreal

---



<b>1</b>	<b>4344120</b>	<b>CLUTCH DISC MONTREAL</b>	<b>SEK2,669.97</b>
<b>2</b>	<b>4332300</b>	<b>PRESSURE PLATE MONTREAL</b>	<b>SEK3,451.27</b>
<b>3</b>	<b>4350330</b>	<b>CLUTCH RELEASE BEARING HYDRAULIC FICHTEL &amp; SACHS</b>	<b>SEK921.16</b>

<b>0</b>	<b>4380170</b>	<b>CLUTCH SLAVE CYLINDER 105/115 BENDITALIA</b>	<b>SEK1,078.50</b>
<b>1</b>	<b>4380120</b>	<b>CLUTCH MASTER CYLINDER HANGING PEDALS</b>	<b>SEK1,119.30</b>
<b>2</b>	<b>4380140</b>	<b>CLUTCH SLAVE CYLINDER 105/115 OE-QUALITY</b>	<b>SEK804.47</b>
<b>3</b>	<b>4380210</b>	<b>CLUTCH RESERVOIRE WITH CAP HANGING PEDALS</b>	<b>SEK640.75</b>
<b>4</b>	<b>4380200</b>	<b>CAP BRAKE / CLUTCH RESERVIORE HANGING PEDALS</b>	<b>SEK138.75</b>

<b>10</b>	<b>4440020</b>	<b>UNIVERSAL JOINT MONTREAL</b>	<b>SEK675.71</b>
<b>15</b>	<b>4420060</b>	<b>FRONT DOUGHNUT COUPLING MONTREAL</b>	<b>SEK2,087.08</b>
<b>20</b>	<b>4430220</b>	<b>PROPSHAFT CENTRE SUPPORT 1968-93 HEAVY DUTY</b>	<b>SEK728.72</b>
<b>21</b>	<b>4430030</b>	<b>PROPSHAFT CENTRE SUPPORT BEARING ORIGINAL QUALITY</b>	<b>SEK185.37</b>
<b>21</b>	<b>4430010</b>	<b>PROPSHAFT CENTER SUPPORT BEARING FAG</b>	<b>SEK303.17</b>
<b>22</b>	<b>4440120</b>	<b>RETAINING CLIP PROPSHAFT CENTRE SUPPORT BEARING</b>	<b>SEK34.97</b>

<b>1</b>	<b>5441560</b>	<b>WHEEL BEARING KIT REAR 1972-93 WITH SHRINK RING</b>	<b>SEK738.01</b>
<b>1</b>	<b>5441570</b>	<b>SKF WHEEL BEARING SET 1972-93</b>	<b>SEK1,340.88</b>
<b>2</b>	<b>2330280</b>	<b>OIL SEAL WHEEL BEARING REAR 1300-2000 1972-93 52/34/10</b>	<b>SEK110.72</b>
<b>3</b>	<b>4530510</b>	<b>DIFFERENTIAL CASE BEARING 2000</b>	<b>SEK515.32</b>
<b>4</b>	<b>2331110</b>	<b>OIL SEAL DIFFERENTIAL MONTREAL</b>	<b>SEK134.03</b>
<b>5</b>	<b>4541930</b>	<b>TAB WASHER (SET 2) AXLE PIPE RIGHT</b>	<b>SEK68.82</b>
<b>6</b>	<b>4541840</b>	<b>TAB WASHER AXLE PIPE LEFT</b>	<b>SEK33.86</b>
<b>7</b>	<b>4541940</b>	<b>TAB WASHER (SET 2) AXLE PIPE LEFT</b>	<b>SEK173.72</b>
<b>8</b>	<b>2330330</b>	<b>DIFFERENTIAL OIL PAN GASKET 2000</b>	<b>SEK96.15</b>
<b>9</b>	<b>4536410</b>	<b>DIFFERENTIAL SUMP MONTREAL / GTA AUTODELTA</b>	<b>SEK6,354.47</b>
<b>10</b>	<b>2280110</b>	<b>SUMP PLUG WITH MAGNET TRANSMISSION/DIFFERENTIAL 750/101, 105/115</b>	<b>SEK122.38</b>
<b>11</b>	<b>2330060</b>	<b>SUMP PLUG WASHER SUMP / TRANSMISSION / DIFFERENTIAL</b>	<b>SEK18.59</b>
<b>12</b>	<b>2280100</b>	<b>OIL FILLER SCREW , HEXAGON SOCKET, TRANS MISSION/DIFFERENTIAL M22x1.5</b>	<b>SEK92.13</b>
<b>13</b>	<b>4536440</b>	<b>STOP RUBBER DIFFERENTIAL / BODY 105/115</b>	<b>SEK192.45</b>

# Federn/Springs Montreal



<b>1</b>	<b>5156410</b>	<b>SPORT FRONT SPRING EIBACH BERLINA / MONTREAL (30MM LOWER)</b>	<b>SEK1,445.78</b>
<b>2</b>	<b>5180160</b>	<b>RUBBER SEAT FRONT SPRING UPPER / LOWER</b>	<b>SEK110.72</b>
<b>3</b>	<b>5180170</b>	<b>METAL SEAT FRONT SPRING UPPER / LOWER</b>	<b>SEK110.72</b>
<b>4</b>	<b>5180180</b>	<b>FRONT SPRING SPACER ALUMINIUM 6 mm</b>	<b>SEK326.48</b>
<b>5</b>	<b>5180131</b>	<b>SPRING PAN LEFT SHALLOW 1986-93</b>	<b>SEK571.37</b>
<b>6</b>	<b>5180132</b>	<b>FRONT SPRING PAN DEEP RIGHT 1986-93</b>	<b>SEK571.37</b>
<b>7</b>	<b>5180140</b>	<b>UPPER RUBBER SEAT REAR SPRING</b>	<b>SEK115.44</b>
<b>8</b>	<b>5156420</b>	<b>REAR SPRING EIBACH MONTREAL (30MM LOWER)</b>	<b>SEK1,433.01</b>

# Stoßdämpfer/Shock Absorber Montreal

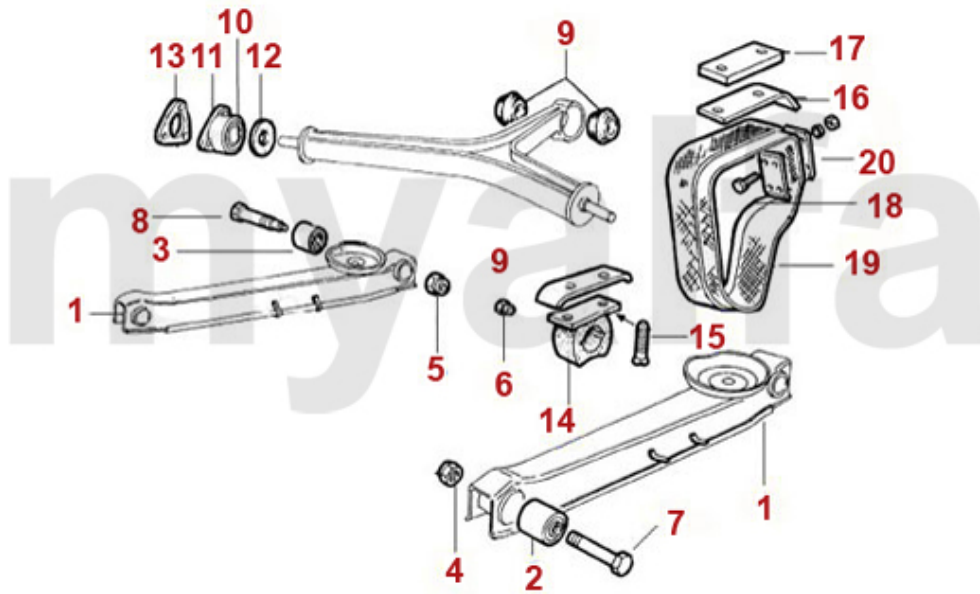


<b>1</b>	<b>5120050</b>	<b>SHOCK ABSORBER FRONT BILSTEIN GAS PRESSURE</b>	<b>SEK1,737.29</b>
<b>2</b>	<b>5120030</b>	<b>SHOCK ABSORBER FRONT KONI RED ADJUSTABLE</b>	<b>SEK1,502.94</b>
<b>3</b>	<b>5121490</b>	<b>SHOCK ABSORBER FRONT KONI YELLOW ADJUSTABLE</b>	<b>SEK1,514.60</b>
<b>4</b>	<b>5120060</b>	<b>SHOCK ABSORBER REAR BILSTEIN GAS PRESSURE</b>	<b>SEK1,737.29</b>
<b>5</b>	<b>5120040</b>	<b>SHOCK ABSORBER REAR KONI RED ADJUSTABLE</b>	<b>SEK1,502.94</b>
<b>6</b>	<b>5121500</b>	<b>SHOCK ABSORBER REAR KONI YELLOW ADJUSTABLE</b>	<b>SEK1,514.60</b>



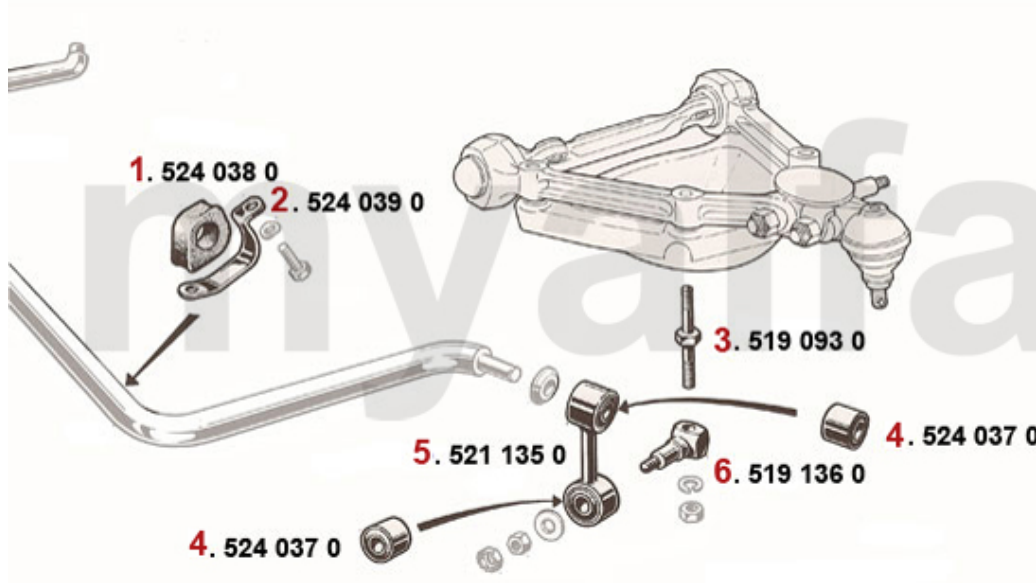
1	5340220	CASTOR ARM BALL JOINT	SEK395.30
2	5350200	TOP ARM INNER BUSH	SEK138.75
3	5340210	CASTOR ARM BUSH 23 mm HIGH	SEK135.28
4	5350460	SPACER (SET) FOR CASTOR ARM BUSH 19mm	SEK92.13
5	5330191	TOP SUSPENSION ARM LEFT WITH BUSHINGS WITHOUT CAP CASTOR ARM BUSH	SEK1,048.26
5	5330192	TOP SUSPENSION ARM RIGHT WITH BUSHINGS WITHOUT CAP CASTOR ARM BUSH	SEK1,048.26
6	5331650	SET ADJUSTABLE TOP ARMS WITH BUSHINGS WITHOUT CASTOR ARM BUSH	On request
6	5331651	ADJUSTABLE TOP ARM LEFT WITH BUSHINGS WITHOUT CAP CASTOR ARM BUSH	SEK1,778.08
6	5331652	ADJUSTABLE TOP ARM RIGHT WITH BUSHINGS WITHOUT CAP CASTOR ARM BUSH	SEK1,778.08
7	5190680	WISHBONE BUSH END CAP	SEK80.48
8	5191150	TAB WASHER BOTTOM WISHBONE BUSH	SEK57.17
9	5350240	BOTTOM WISHBONE BUSH	SEK520.04
10	5331120	WISHBONE USED	On request
11	5331170	FRONT WISHBONE ARM USED	On request
12	5331180	REAR WISHBONE ARM USED	On request
13	5190580	LOWER BUMP STOP FRONT WITH BOLT	SEK197.03
14	5521191	BUMP STOP PLATE LEFT	On request
14	5521192	BUMP STOP PLATE RIGHT	On request
15	5191210	NUT SPRING PAN SCREW	SEK23.31
16	5191220	BOLT SHOCK ABSORBER 105 / 115 / MONTREAL	SEK250.72
17	2280170	SCREW BALL JOINT HIGH STRENGTH	SEK75.76
18	5191240	SAFETY NUT BOTTOM BALL JOINT	On request
19	5330230	BOTTOM BALL JOINT	SEK413.89
20	5190260	UPPER BUMP STOP 1969-93	SEK103.79

# Aufhängung hinten /Attachment rear Montreal



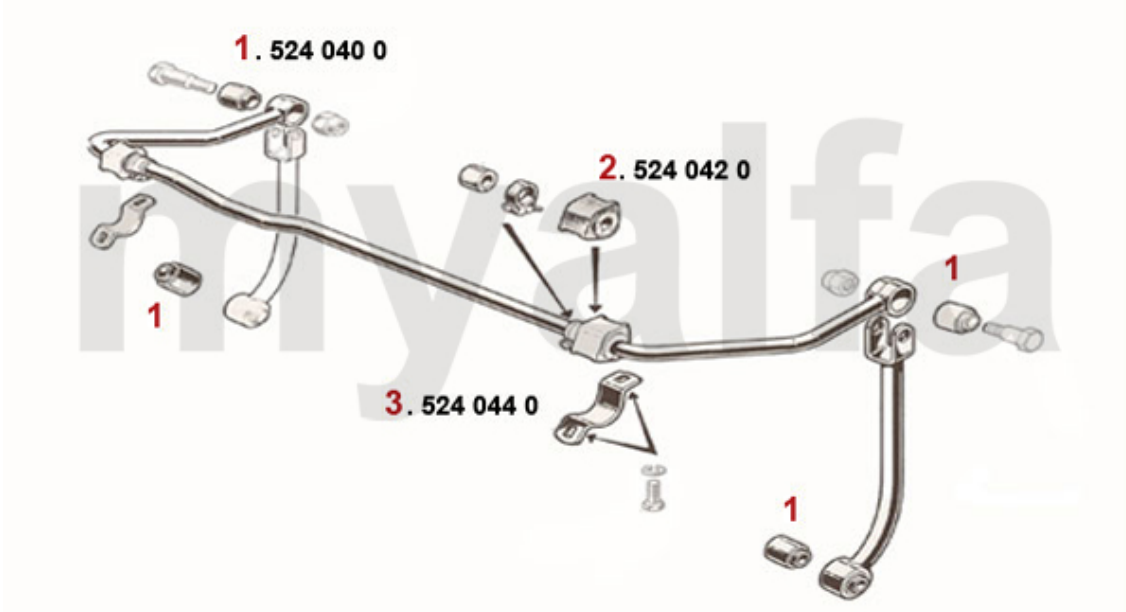
1	5320310	REAR TRAILING ARM 1968-93, WITHOUT BUSHINGS	SEK1,375.85
2	5341090	FRONT TRAILING ARM BUSH 1968-93, DIAMETER 50 mm HEAVY DUTY	SEK299.70
3	5341100	REAR TRAILING ARM BUSH 1962-93, HEAVY DUTY	SEK299.70
4	5190650	SAFETY NUT FRONT SCREW TRAILING ARM	SEK45.51
5	5350660	BIG SAFETY NUT FOR TRAILING ARM BOLT	SEK50.09
6	5350670	SMALL SAFETY NUT FOR TRAILING ARM BOLT	SEK19.29
7	5190910	FRONT SCREW TRAILING ARM	SEK80.48
8	5350920	BOLT FOR REAR OF TRAILING ARM	SEK250.72
9	5351460	T-BAR CONICAL BUSH HEAVY DUTY	SEK92.69
10	5350551	T-BAR END BUSH	SEK348.68
11	5350552	T-BAR END BUSH HOUSING	SEK454.68
12	5350970	T-BAR END RUBBER WASHER RUBBER	SEK61.74
13	5351860	T-BAR SPACER 2 mm	On request
14	5190270	UPPER BUMP STOP REAR AXLE VERSION FOR 31mm REBOUND STRAP	SEK173.72
15	5190590	SCREW REAR UPPER BUMP STOP	SEK28.03
16	5190540	REBOUND STRAP GUIDE PANEL UNDER UPPER BUMP STOP REAR AXLE TWO BENDED ENDS	SEK150.41
17	5190870	Bump Stop Spacer	SEK476.88
18	4540361	OUTER REBOUND STRAP REAR 31 mm	SEK145.69
19	4540362	INNER REBOUND STRAP REAR 31 mm	SEK145.69
20	5190530	FITTING KIT FOR ONE REBOUND STRAP 31 mm	SEK150.41

# Stabilisator vorne/Stabilizer front Montreal



<b>1</b>	<b>5240380</b>	<b>ANTI-ROLL BAR RUBBER FRONT SET (2) 105, 102 20000, 106 2600</b>	<b>SEK150.41</b>
<b>2</b>	<b>5240390</b>	<b>BRACKET FRONT ANTI ROLL BAR RUBBER</b>	<b>SEK101.98</b>
<b>3</b>	<b>5190930</b>	<b>BOLT SPRING (HIGH-STRENGTH STEEL) PAN / DROP LINK 1969-86</b>	<b>SEK314.27</b>
<b>4</b>	<b>5240370</b>	<b>FRONT UPPER ANTI ROLL BAR DROP LINK BUSH 30 mm</b>	<b>SEK115.44</b>
<b>5</b>	<b>5211350</b>	<b>FRONT ANTI ROLL BAR DROP LINK WITH BUSHINGS 1968-86</b>	<b>SEK332.31</b>
<b>6</b>	<b>5191360</b>	<b>SPRING PAN TO DROP LINK BOLT 1968-86</b>	<b>SEK278.61</b>

# Stabilisator hinten/Stabilizer rear Montreal



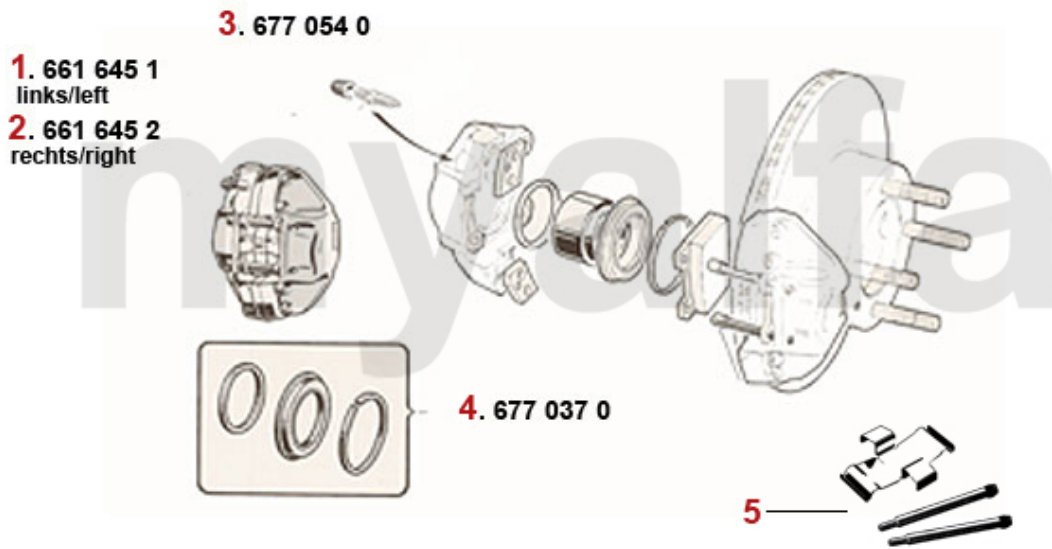
<b>1</b>	<b>5240400</b>	<b>REAR DROP LINK LOWER BUSH</b>	<b>SEK125.99</b>
<b>2</b>	<b>5340110</b>	<b>SET ANTI-ROLL BAR RUBBER REAR MONTREAL, GIULIA, GTV, SPIDER</b>	<b>SEK466.34</b>
<b>3</b>	<b>5240440</b>	<b>BRACKET REAR ANTI ROLL BAR REAR</b>	<b>SEK162.06</b>

<b>1</b>	<b>5440280</b>	<b>WHEEL BEARING KIT FRONT 101/105/115</b>	<b>SEK628.40</b>
<b>1</b>	<b>5440200</b>	<b>INNER WHEEL BEARING SKF 1900/750/101/105/115</b>	<b>SEK262.38</b>
<b>2</b>	<b>5441550</b>	<b>WHEEL BEARING KIT REAR 1964-72WITH TAB WASHER</b>	<b>SEK809.19</b>
<b>2</b>	<b>5441560</b>	<b>WHEEL BEARING KIT REAR 1972-93 WITH SHRINK RING</b>	<b>SEK738.01</b>
<b>2</b>	<b>5441571</b>	<b>WHEEL BEARING REAR - 1900 / 101 1600 /105/115 RACING</b>	<b>SEK1,219.61</b>

<b>1</b>	<b>5722690</b>	<b>ALUMINIUM WHEEL MONTREAL 6.5x14 ET25 MADE IN ITALY , SERIES 1</b>	<b>SEK3,602.78</b>
<b>2</b>	<b>5722670</b>	<b>ALUMINIUM WHEEL MONTREAL 7,5x14 ET10 MADE IN ITALY , SERIES 2</b>	<b>SEK3,486.23</b>
<b>3</b>	<b>1362410</b>	<b>BADGE ALUMINIUM WHEEL SILVER / BLACK BACKGROUND 48 mm</b>	<b>SEK92.13</b>
<b>4</b>	<b>1360500</b>	<b>BADGE ALUMINIUM WHEEL BLACK / SILVER BACKGROUND 48 mm</b>	<b>SEK92.13</b>
<b>5</b>	<b>1360510</b>	<b>CIRCLIP BADGE ALUMINIUM WHEEL 48 mm</b>	<b>SEK43.15</b>
<b>6</b>	<b>5740942</b>	<b>WHEEL NUT ALUMINIUM WHEEL HIGH GLOSS CHROMED, RIGHT HAND THREAD</b>	<b>SEK45.37</b>
<b>6</b>	<b>5740941</b>	<b>WHEEL NUT ALUMINIUM WHEEL HIGH GLOSS CHROMED, LEFT HAND THREAD</b>	<b>SEK45.37</b>
<b>7</b>	<b>5741710</b>	<b>LOCK SET ALUMINIUM WHEEL RIGHT HAND THREAD</b>	<b>SEK451.22</b>

<b>1</b>	<b>6106450</b>	<b>BRAKE DISC MONTREAL FRONT ohne Radbolzen</b>	<b>SEK3,089.82</b>
<b>2</b>	<b>6106460</b>	<b>BRAKE DISC MONTREAL REAR</b>	<b>SEK4,069.26</b>

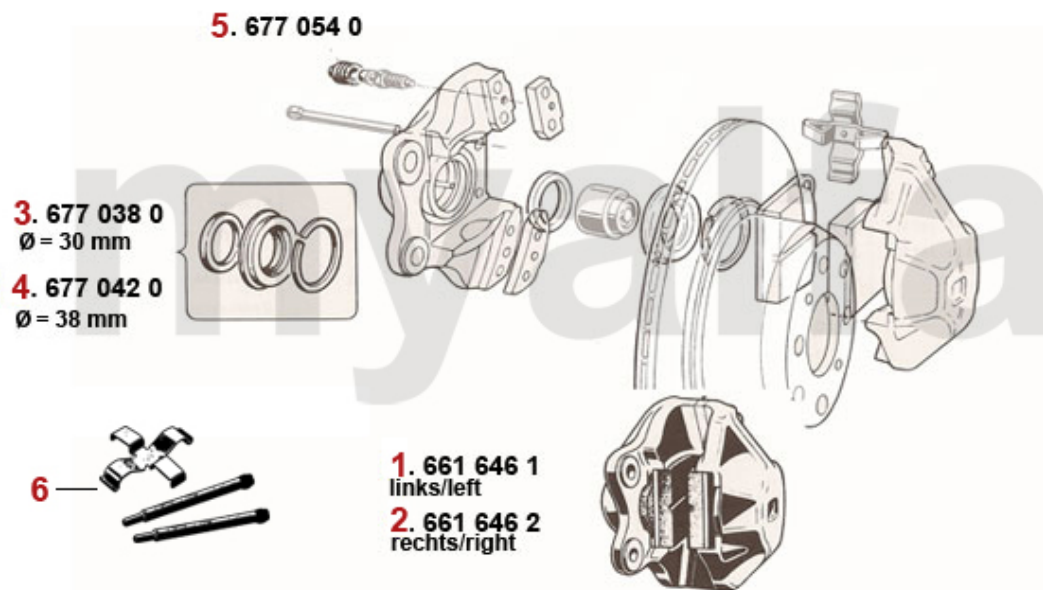
# Bremssattel/Caliper Montreal vorne/front



1	6616451	BRAKE CALIPER MONTREAL FRONT NEW LEFT	SEK2,786.66
2	6616452	BRAKE CALIPER MONTREAL FRONT NEW RIGHT	SEK2,786.66
3	6770540	CAP BLEEDER SCREW	SEK18.04
4	6770370	BRAKE CALIPER REBUILD KIT FRONT ATE	SEK263.49
5	6500100	RETAINING PIN FOR FRONT BRAKE PAD MONTREAL	SEK227.41



# Bremssattel/Caliper Montreal hinten/rear



<b>1</b>	<b>6616461</b>	<b>BRAKE CALIPER MONTREAL REAR LEFT</b>	<b>SEK2,498.06</b>
<b>2</b>	<b>6616462</b>	<b>BRAKE CALIPER MONTREAL REAR RIGHT</b>	<b>SEK2,498.06</b>
<b>3</b>	<b>6770380</b>	<b>BRAKE CALIPER REBUILD KIT 1964-66 ATE (30 mm), PREMIUM</b>	<b>SEK687.92</b>
<b>4</b>	<b>6770420</b>	<b>BRAKE CALIPER REBUILD KIT 1967-93 REAR ATE, 38mm PISTONS</b>	<b>SEK277.50</b>
<b>5</b>	<b>6770540</b>	<b>CAP BLEEDER SCREW</b>	<b>SEK18.04</b>
<b>6</b>	<b>6500200</b>	<b>RETAINING PIN SET FOR REAR BRAKE PADS MONTREAL</b>	<b>SEK227.41</b>

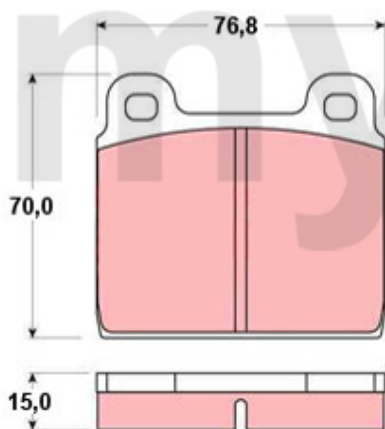
# Bremsbeläge/Brake Pads Montreal

## vorne/front:

**1. 630 005 F**  
Ferodo std.

**2. 630 098 0**  
Ferodo Racing  
DS2500

**3. 630 089 0**  
Ferodo Racing  
DS3000

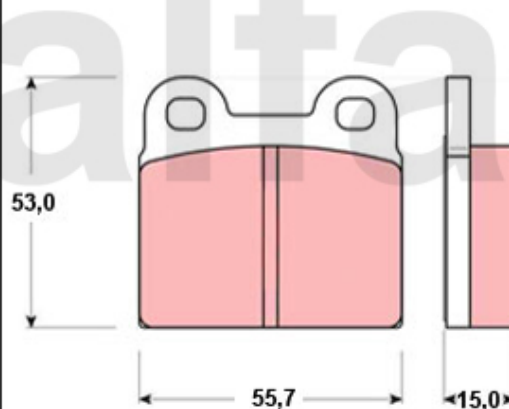


## hinten/rear:

**4. 630 006 F**  
Ferodo std.

**5. 630 099 0**  
Ferodo Racing  
DS2500

**6. 630 090 0**  
Ferodo Racing  
DS3000



<b>1</b>	<b>630005F</b>	<b>BRAKE PADS 1750/2000, 1600 1986-93 FRONT, OEM QUALITY</b>	<b>SEK496.73</b>
<b>2</b>	<b>6300980</b>	<b>BRAKE PADS 1750/2000, 1600 1986-93 FRONT FERODO RACING DS2500</b>	<b>SEK1,807.22</b>
<b>3</b>	<b>6300890</b>	<b>BRAKE PADS 1750/2000, 1600 1986-93 FRONT FERODO RACING DS3000</b>	<b>SEK1,690.67</b>
<b>4</b>	<b>630006F</b>	<b>BRAKE PADS 1300-2000 1966-93 REAR, OEM QUALITY</b>	<b>SEK425.55</b>
<b>5</b>	<b>6300990</b>	<b>BRAKE PADS 1300-2000 REAR FERODO RACING DS2500</b>	<b>SEK1,445.78</b>
<b>6</b>	<b>6300900</b>	<b>BRAKE PADS 1300-2000 REAR FERODO RACING DS3000</b>	<b>SEK1,603.26</b>

<b>1</b>	<b>6710250</b>	<b>BRAKE BOOSTER 1300-2000 SYSTEM ATE, HANGING PEDALS</b>	<b>SEK2,740.04</b>
<b>1</b>	<b>6710260</b>	<b>BRAKE BOOSTER 1300-2000 SYSTEM ATE, HANGING PEDALS BENDITALIA ORIGINAL</b>	<b>SEK4,419.05</b>
<b>2</b>	<b>4380200</b>	<b>CAP BRAKE / CLUTCH RESERVIORE HANGING PEDALS</b>	<b>SEK138.75</b>
<b>3</b>	<b>6770580</b>	<b>BRAKE FLUID RESERVOIR HANGING PEDALS</b>	<b>On request</b>
<b>4</b>	<b>6720280</b>	<b>BRAKE MASTER CYLINDER HANGING PEDALS 20,6MM</b>	<b>SEK1,467.98</b>
<b>5</b>	<b>6770340</b>	<b>REPAIR KIT BMC 1300-2000 HANGING PEDALS ATE 20 mm</b>	<b>SEK641.30</b>
<b>6</b>	<b>6770710</b>	<b>REPAIR KIT HBZ 1300-2000 HANGING PEDALS ATE VERSION 22 mm</b>	<b>SEK260.02</b>

<b>1</b>	<b>6760210</b>	<b>BRAKE HOSE FRONT 750/101/105/106/ MONTREAL</b>	<b>SEK230.88</b>
<b>2</b>	<b>6760220</b>	<b>BRAKE HOSE REAR 750/101/105/ MONTREAL</b>	<b>SEK255.30</b>
<b>3</b>	<b>6740210</b>	<b>BRAKE PRESSURE REG. TYPE ATE GIULIA, GT BERTONE, SPIDER 1. SERIES, MONTREAL</b>	<b>SEK2,622.24</b>
<b>4</b>	<b>6780010</b>	<b>SET (2) FRONT BRAKE LINE BRACKET</b>	<b>SEK496.73</b>

<b>1</b>	<b>6400100</b>	<b>SET BRAKE SHOES 4 PIECES</b>	<b>SEK460.51</b>
<b>2</b>	<b>6500820</b>	<b>HANDBRAKE ADJUSTOR</b>	<b>SEK460.51</b>
<b>3</b>	<b>6500730</b>	<b>HANDBRAKE SHOE RETAINING PIN</b>	<b>SEK54.81</b>
<b>4</b>	<b>6810810</b>	<b>COUNTERPLATE FOR RETAINING PIN</b>	<b>SEK103.79</b>
<b>5</b>	<b>6810470</b>	<b>HANDBRAKE SHOE OPERATOR LEVER</b>	<b>SEK396.41</b>
<b>6</b>	<b>6810460</b>	<b>REAR BRAKE ANCHOR PLATE</b>	<b>On request</b>
<b>7</b>	<b>6801050</b>	<b>MAIN HANDBRAKE CABLE MONTREAL</b>	<b>SEK693.75</b>
<b>8</b>	<b>6500840</b>	<b>HANDBRAKE SHOE SPRING LONG</b>	<b>SEK75.20</b>
<b>9</b>	<b>6500850</b>	<b>HANDBRAKE SHOE SPRING SHORT</b>	<b>SEK54.81</b>
<b>10</b>	<b>6800170</b>	<b>HAND BRAKE CABLE SET (2PC) REAR LEFT AND RIGHT - 105 MONTREAL</b>	<b>SEK571.37</b>

<b>1</b>	<b>8146450</b>	<b>SET IGNITION MODULES MONTREAL WITH IGNITION COIL</b>	<b>On request</b>
<b>2</b>	<b>8156450</b>	<b>POINTS MARELLI 4 SPRINGS SHORT CABLE</b>	<b>SEK1,270.95</b>
<b>3</b>	<b>816100</b>	<b>ROTOR MONTREAL / FERRARI 308</b>	<b>SEK1,270.95</b>
<b>3</b>	<b>8171440</b>	<b>DISTRIBUTOR CAP MONTREAL / FERRARI 308</b>	<b>SEK2,670.11</b>
<b>4</b>	<b>8186450</b>	<b>HT LEADS MONTREAL</b>	<b>SEK1,980.93</b>
<b>5</b>	<b>BA2HL</b>	<b>SPARK PLUG "myalfa" 2HL</b>	<b>SEK103.79</b>
<b>5</b>	<b>BP7ES</b>	<b>OE. 60512929 SPARK PLUG NGK BP7ES</b>	<b>SEK57.17</b>
<b>6</b>	<b>8186430</b>	<b>SET HAT LEAD CLAMPS MONTREAL</b>	<b>SEK921.16</b>
<b>7</b>	<b>8151500</b>	<b>CONDENSER MARELLI MONTREAL / GTA / FERRARI</b>	<b>SEK215.76</b>

<b>1</b>	<b>8226450</b>	<b>STARTER MOTOR MONTREAL EXCHANGE</b>	<b>On request</b>
<b>1</b>	<b>8216450</b>	<b>HIGH PERFORMANCE STARTER MOTOR - MONTREAL</b>	<b>SEK5,001.94</b>
<b>2</b>	<b>8216460</b>	<b>ALTERNATOR MONTREAL EXCHANGE 65A STD</b>	<b>SEK4,535.60</b>
<b>2</b>	<b>8216470</b>	<b>ALTERNATOR MONTREAL NEW 65A STANDARD</b>	<b>SEK6,704.26</b>
<b>2</b>	<b>8216480</b>	<b>ALTERNATOR MONTREAL NEW 100A STRENGTHENED</b>	<b>SEK8,033.49</b>
<b>3</b>	<b>8230700</b>	<b>EXTERNAL REGULATOR ALTERNATOR 12V</b>	<b>SEK378.93</b>
<b>3</b>	<b>8230710</b>	<b>EXTERNAL REGULATOR ALTERNATOR 12V HELLA</b>	<b>SEK460.51</b>

# Schalter/Switches Montreal



1	8414600	ELECTRIC WINDOW ROCKER SWITCH MONTREAL	SEK804.47
2	8413801	INTERIOR LIGHT ROCKER SWITCH MONTREAL	SEK687.92
3	8413400	HORN ROCKER SWITCH MONTREAL	SEK687.92
4	8410510	DASHLIGHT ROCKER SWITCH SPIDER 1970-80 / MONTREAL	SEK687.92
5	8410580	HEATER FAN ROCKER SWITCH SPIDER 1970-80, MONTREAL	SEK804.47
6	8410540	WINDSCREEN WIPER ROCKER SWITCH SPIDER 1970-80, MONTREAL	SEK804.47
7	8416450	COURTESY LIGHT SWITCH MONTREAL	SEK95.60
8	8436450	COLUMN SWITCH MONTREAL	SEK2,786.66
9	8110080	IGNITION SWITCH RIGHT SIDE OF STEERING WHEEL	SEK1,620.74



<b>1</b>	<b>8620470</b>	<b>WATER TEMPERATUR SENDER</b>	<b>SEK231.99</b>
<b>2</b>	<b>8610190</b>	<b>OIL PRESSURE SENDER JAEGER / VEGLIA SERIES 2</b>	<b>SEK558.47</b>
<b>2</b>	<b>8610180</b>	<b>OIL PRESSURE SENDER JAEGER 1st SERIES (SHORT VERSION)</b>	<b>SEK641.30</b>
<b>3</b>	<b>8410390</b>	<b>OIL PRESSURE SWITCH</b>	<b>SEK180.79</b>
<b>4</b>	<b>8640150</b>	<b>REVERS LIGHT SWITCH SCREW-IN</b>	<b>SEK185.37</b>
<b>5</b>	<b>8420750</b>	<b>INDICATOR/FLASHER PLASTIC RELAY 4 PIN</b>	<b>SEK230.88</b>
<b>6</b>	<b>2631050</b>	<b>THERMO SWITCH MONTREAL 88°/79° C</b>	<b>SEK285.69</b>

# Installationsmaterial/Installation Material Montreal



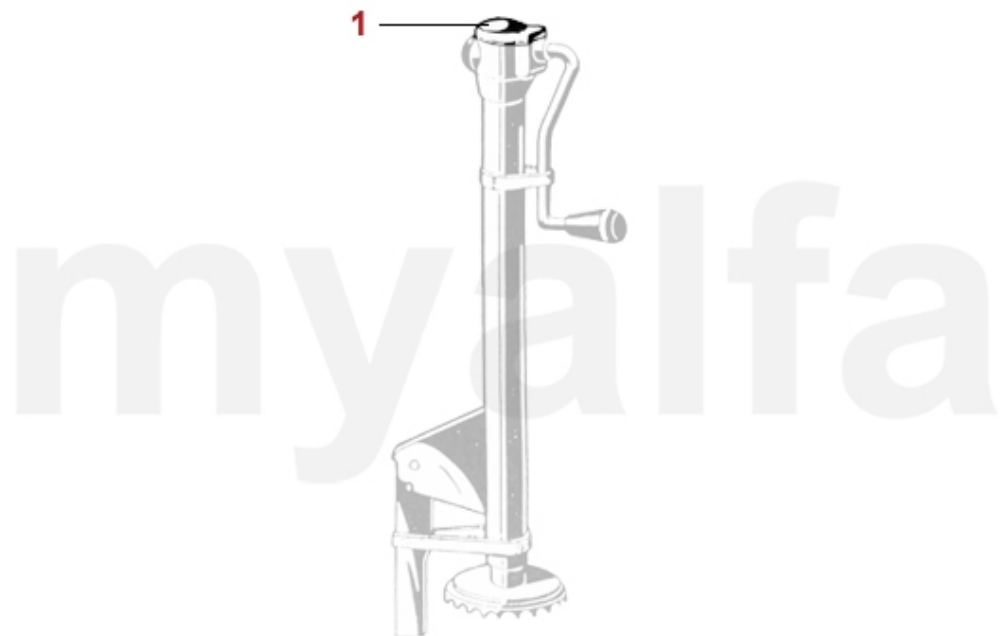
<b>1</b>	<b>8430960</b>	<b>HAZARD UPGRADE KIT 12V HELLA</b>	<b>SEK1,853.84</b>
<b>2</b>	<b>8701120</b>	<b>HORN SET LOW / HIGH</b>	<b>SEK532.80</b>
<b>3</b>	<b>87046010</b>	<b>ANTENNA STAINLESS STEEL</b>	<b>SEK208.68</b>
<b>4</b>	<b>9822250</b>	<b>BATTERY LIFE SAFER</b>	<b>SEK448.86</b>
<b>5</b>	<b>8421540</b>	<b>POWER RELAY</b>	<b>SEK185.37</b>
<b>6</b>	<b>1190190</b>	<b>ELECTRIC WINDOW MOTOR SPIDER 1990-93 / MONTREAL / ALFETTA GTV</b>	<b>SEK1,504.05</b>

<b>1</b>	<b>1570080</b>	<b>INDICATOR LAMP FOR INDICATOR (ONE ARROW)</b>	<b>SEK256.55</b>
<b>2</b>	<b>1570010</b>	<b>INDICATOR LAMP FOR INDICATOR</b>	<b>SEK256.55</b>
<b>3</b>	<b>1570020</b>	<b>INDICATOR LAMP RED, BRAKE</b>	<b>SEK256.55</b>
<b>4</b>	<b>1570030</b>	<b>INICATOR LAMP GREEN FOR DIMMED HEADLIGHTS</b>	<b>SEK256.55</b>
<b>5</b>	<b>1570040</b>	<b>INDICATOR LIGHT BLUE FOR FULL BEAM</b>	<b>SEK256.55</b>
<b>6</b>	<b>1570050</b>	<b>INDICATOR LAMP YELLOW FOR FOG LAMP</b>	<b>SEK256.55</b>
<b>7</b>	<b>1570060</b>	<b>CLAMP FOR DASHBOARD LAMP</b>	<b>SEK17.48</b>



<b>1</b>	<b>5566450</b>	<b>IDLER ARM MONTREAL EXCHANGE / SURCHARGE 300 EURO</b>	<b>SEK4,302.36</b>
<b>2</b>	<b>5540331</b>	<b>OUTER TRACK ROD END LEFT HAND THREAD LEMFÖRDER</b>	<b>On request</b>
<b>2</b>	<b>5540332</b>	<b>OUTER TRACK ROD END RIGHT HAND THREAD LEMFÖRDER</b>	<b>On request</b>
<b>3</b>	<b>5540181</b>	<b>INNER TRACK ROD END LEFT HAND THREAD LEMFÖRDER</b>	<b>On request</b>
<b>3</b>	<b>5540182</b>	<b>INNER TRACK ROD END RIGHT HAND THREAD LEMFÖRDER</b>	<b>SEK489.65</b>
<b>4</b>	<b>5540111</b>	<b>COUNTER NUT TRACK ROD LEFT HAND THREAD</b>	<b>SEK29.14</b>
<b>4</b>	<b>5540112</b>	<b>COUNTER NUT TRACK ROD RIGHT HAND THREAD</b>	<b>SEK29.14</b>
<b>5</b>	<b>5511050</b>	<b>STEERING BOX CASING BURMAN MONTREAL</b>	<b>SEK8,569.89</b>
<b>6</b>	<b>1770310</b>	<b>LOCKING TAB STEERING WHEEL UNTIL 1985</b>	<b>SEK57.17</b>
<b>7</b>	<b>1770320</b>	<b>NUT STEERING WHEEL - 1900, 750/101, 102/106, 105/ 115 UNTIL 1985</b>	<b>SEK204.10</b>

<b>1</b>	<b>8830010</b>	<b>SET WIPER BLADES MONTREAL STAINLESS STEEL</b>	<b>SEK698.47</b>
<b>2</b>	<b>8810010</b>	<b>WIPER WASHER RESERVOIR MONTREAL</b>	<b>SEK1,922.66</b>
<b>3</b>	<b>8810020</b>	<b>LID FOR WIPER WATER RESERVOIR MONTREAL</b>	<b>SEK289.16</b>
<b>4</b>	<b>8810210</b>	<b>WINDSHIELD WASHER FOOT PUMP</b>	<b>SEK757.85</b>
<b>5</b>	<b>8800820</b>	<b>WASHER JET CHROME 2-JETS (750/101)</b>	<b>SEK150.41</b>



**1 9811050 BATTAINI CAP FOR JACK TOP ALFA ROMEO 105 SERIES**

**SEK197.58**



\*das Bild zeigt eine Stretchshell Decke in schwarz

<b>1</b>	<b>9111180</b>	<b>CARCOVER MADE TO MEASURE ALFA ROMEO MONTREAL WITH BADGE, RED</b>	<b>SEK1,970.53</b>
<b>2</b>	<b>9116460</b>	<b>CAR COVER ALFA ROMEO MONTREAL, RED</b>	<b>SEK1,387.50</b>
<b>2</b>	<b>9116470</b>	<b>CAR COVER ALFA ROMEO MONTREAL, BLUE</b>	<b>SEK1,387.50</b>
<b>2</b>	<b>9116480</b>	<b>CAR COVER ALFA ROMEO MONTREAL, GREEN</b>	<b>SEK1,387.50</b>
<b>2</b>	<b>9116490</b>	<b>CAR COVER ALFA ROMEO MONTREAL, BLACK</b>	<b>SEK1,387.50</b>



<b>1</b>	<b>9822260</b>	<b>BATTERY CHARGER AB-4 ABSAAR</b>	<b>SEK553.89</b>
<b>2</b>	<b>9822250</b>	<b>BATTERY LIFE SAFER</b>	<b>SEK448.86</b>
<b>3</b>	<b>8701130</b>	<b>BATTERY SWITCH / MASS POLE CLAMP</b>	<b>SEK92.13</b>



# Dämmmatten/Insulating Mats

---



**1 9702350** **INSULATING MAT ORIGINAL MATERIAL 50 x 100 cm**

**SEK292.62**

<b>1</b>	<b>1756460</b>	<b>HEADLINING MONTREAL CREME</b>	<b>SEK3,789.40</b>
<b>1</b>	<b>1756470</b>	<b>HEADLINING MONTREAL BLACK</b>	<b>SEK3,789.40</b>

# Teppichsatz/Carpet Set Montreal

**1.** 171 641 1  
Velours schwarz/  
velours black

**2.** 171 641 2  
Velours grau/  
velours grey

**3.** 171 641 3  
Velours hellbeige/  
velours pale beige

**4.** 171 641 4  
Velours dunkelblau/  
Velours dark blue

**5.** 171 642 5  
Feinvelours bordeaux/  
softvelours bordeaux

**6.** 173 645 0  
Leder schwarz/  
leather black



**7.** 176 646 0  
Leder schwarz/  
leather black

<b>1</b>	<b>1716411</b>	<b>CARPET SET MONTREAL VELOURS BLACK</b>	<b>SEK6,820.95</b>
<b>2</b>	<b>1716412</b>	<b>CARPET SET MONTREAL VELOURS GRAY</b>	<b>SEK5,246.83</b>
<b>3</b>	<b>1716413</b>	<b>CARPET SET MONTREAL VELOURS LIGHT BEIGE</b>	<b>SEK5,934.75</b>
<b>4</b>	<b>1716414</b>	<b>CARPET SET MONTREAL VELOURS DARK BLUE</b>	<b>SEK6,237.92</b>
<b>5</b>	<b>1716425</b>	<b>CARPET SET MONTREAL VELOURS BORDEAUX</b>	<b>SEK5,934.75</b>
<b>6</b>	<b>1736450</b>	<b>GEAR LEVER GAITER MONTREAL LEATHER BLACK</b>	<b>SEK698.47</b>
<b>6</b>	<b>1736460</b>	<b>GEAR LEVER GAITER MONTREAL LEATHER BEIGE</b>	<b>SEK698.47</b>
<b>7</b>	<b>1766460</b>	<b>HANDBRAKE GAITER MONTREAL LEATHER BLACK</b>	<b>SEK915.33</b>
<b>7</b>	<b>1766470</b>	<b>HANDBRAKE LEVER GAITER MONTREAL SCAY BEIGE</b>	<b>SEK448.86</b>



**1 1722780 SET FLOOR MATS MONTREAL VELOURS BLACK**

**SEK1,107.64**

<b>1</b>	<b>1716430</b>	<b>BOOT CARPET SET MONTREAL VELOURS BLACK</b>	<b>SEK3,952.57</b>
<b>1</b>	<b>1716450</b>	<b>TRUNK CARPET SET MONTREAL VELOURS BLUE 129</b>	<b>SEK5,001.94</b>
<b>1</b>	<b>1716460</b>	<b>TRUNK CARPET SET MONTREAL VELOURS BORDEAUX 158</b>	<b>SEK3,719.47</b>
<b>1</b>	<b>1716470</b>	<b>TRUNK CARPET SET MONTREAL VELOURS GREY 126</b>	<b>SEK3,719.47</b>
<b>1</b>	<b>1716480</b>	<b>TRUNK CARPET SET MONTREAL VELOURS BRIGHT BEIGE 118</b>	<b>SEK4,139.19</b>

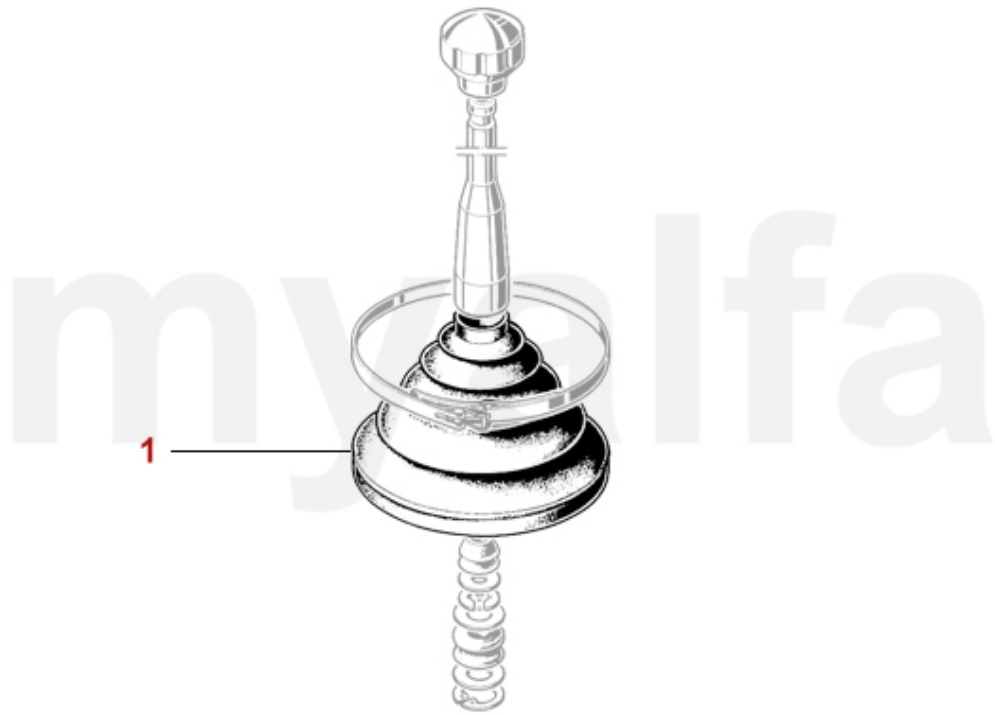
# Sitzbezüge/Seat Cover Montreal



<b>1</b>	<b>1706410</b>	<b>SEAT COVER MONTREAL FRONT VINYL SKAI BLACK</b>	<b>SEK4,197.47</b>
<b>1</b>	<b>1706420</b>	<b>SEAT COVER MONTREAL FRONT VINYL SKAI BLACK / CLOTH GRAY</b>	<b>SEK4,768.84</b>
<b>1</b>	<b>1706430</b>	<b>SEAT COVER MONTREAL FRONT LEATHER BLACK</b>	<b>SEK20,509.33</b>
<b>1</b>	<b>1706440</b>	<b>SEAT COVER MONTREAL FRONT VINYL SKAI BLACK / CLOTH BLACK</b>	<b>SEK4,768.84</b>
<b>1</b>	<b>1706450</b>	<b>FRONT SEAT COVER MONTREAL LEATHER/FABRIC BLUE 889+666</b>	<b>SEK22,095.11</b>
<b>1</b>	<b>1706460</b>	<b>FRONT SEAT COVER MONTREAL LEATHER/FABRIC BLACK</b>	<b>SEK8,103.56</b>
<b>2</b>	<b>1760110</b>	<b>SET COVERS FOR HEADREST ADJUSTMENT MONTREAL</b>	<b>SEK921.16</b>
<b>3</b>	<b>1760100</b>	<b>SET SEATBELT GUIDES MONTREAL</b>	<b>SEK523.50</b>

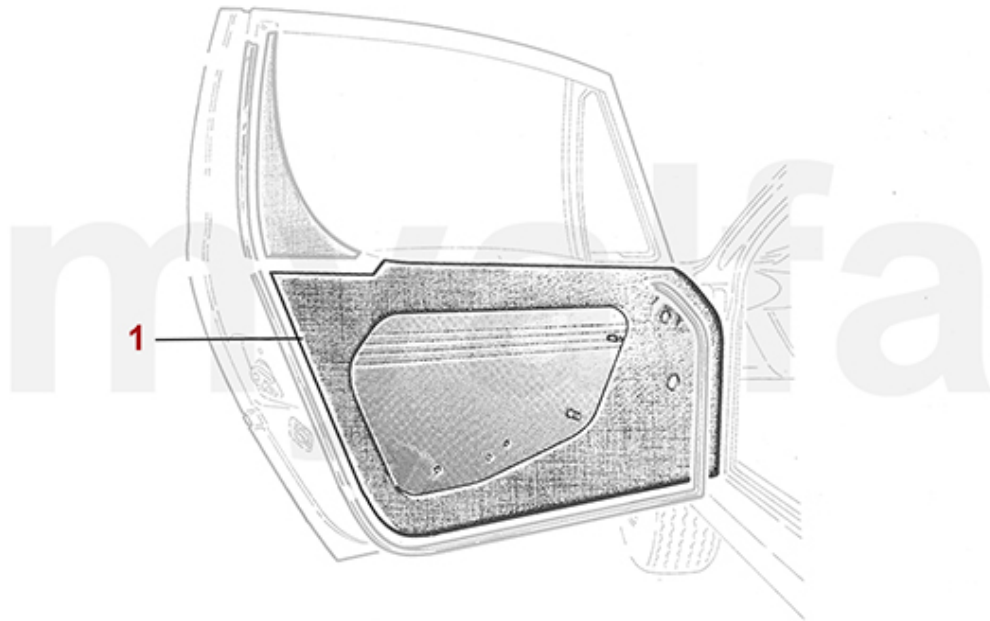


<b>1</b>	<b>1781430</b>	<b>SET HORN BUTTON SURROUND 53 mm, HELLEBORE, 3 PIECES</b>	<b>SEK173.72</b>
<b>2</b>	<b>1731390</b>	<b>HEATER FASCIA PANEL CHROME GT BERTONE</b>	<b>On request</b>
<b>3</b>	<b>1736410</b>	<b>UPPER FASCIA CONSOLE MONTREAL</b>	<b>SEK2,553.42</b>
<b>4</b>	<b>1736420</b>	<b>FACIA GEAR CONSOLE MONTREAL</b>	<b>SEK3,019.89</b>
<b>5</b>	<b>1736430</b>	<b>RADIO BLANKING PLATE MONTREAL</b>	<b>On request</b>
<b>6</b>	<b>1781050</b>	<b>SHIFT KNOB WOOD MAHOGANY RED WITH BIG BADGE</b>	<b>On request</b>
<b>7</b>	<b>1780630</b>	<b>SHIFT KNOB WOOD WITH SMALL BADGE</b>	<b>On request</b>
<b>8</b>	<b>1780140</b>	<b>GEAR-SHIFT KNOB - wood ERGONOMIC without emblem</b>	<b>On request</b>



**1 4130080 GEARSTICK GAITER MONTREAL**

**SEK1,040.63**

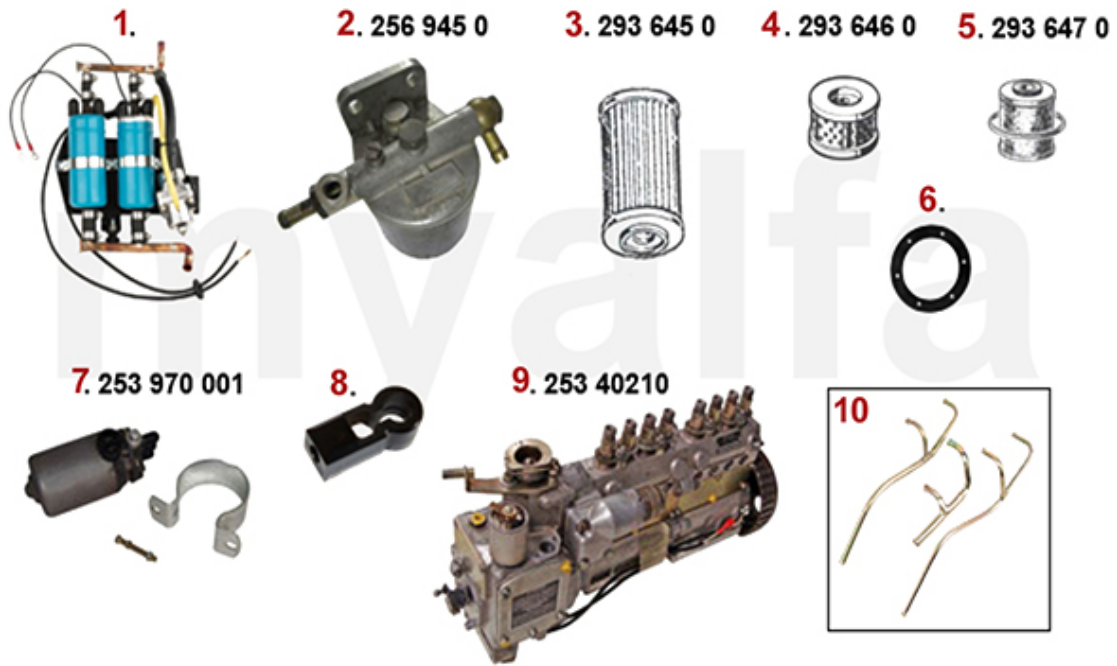


**1 1745460 SET INNER DOOR TRIM PANELS MONTREAL BLACK**

**SEK16,894.89**

<b>1</b>	<b>9300580</b>	<b>BODY VIN PLATE (BLANK)</b>	<b>SEK250.72</b>
<b>1</b>	<b>9300590</b>	<b>BODY TYPE PLATE MONTREAL, 105.64</b>	<b>SEK250.72</b>

# Kraftstoffförderung/Fuel System Montreal

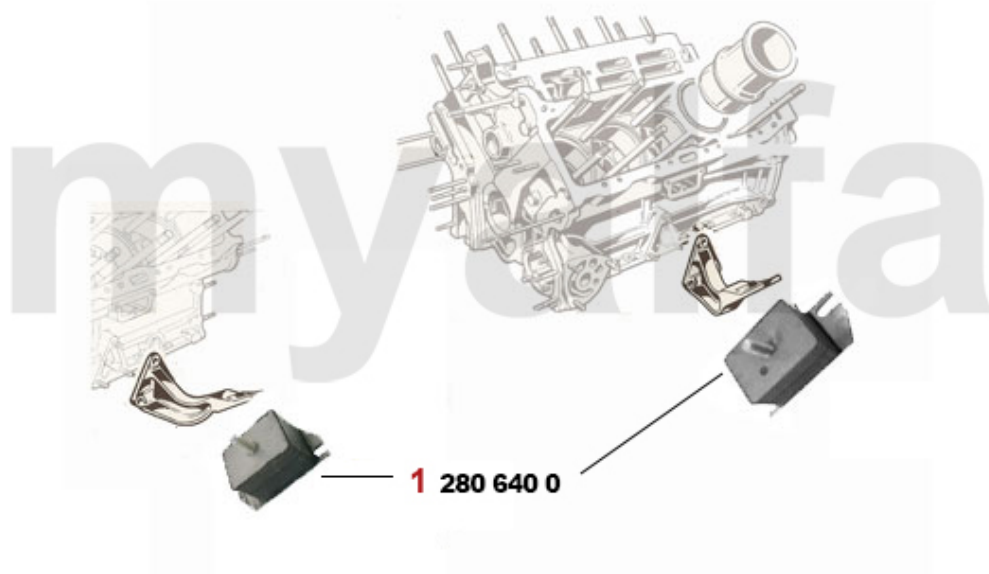


<b>1</b>	<b>2537020</b>	<b>FUEL PUMP SET MONTREAL</b>	<b>On request</b>
<b>2</b>	<b>2569450</b>	<b>FUEL PRESSURE REGULATOR MONTREAL</b>	<b>SEK1,743.12</b>
<b>3</b>	<b>2936450</b>	<b>OIL FILTER INJECTION PUMP SPICA MONTREAL</b>	<b>SEK465.23</b>
<b>4</b>	<b>2936460</b>	<b>FUEL FILTER Tank MONTREAL</b>	<b>SEK543.35</b>
<b>5</b>	<b>2936470</b>	<b>FUEL FILTER MONTREAL</b>	<b>SEK395.30</b>
<b>6</b>	<b>8650180</b>	<b>RUBBER GASKET SEAL FUEL FILTER TANK MONTREAL</b>	<b>SEK220.34</b>
<b>7</b>	<b>25370001</b>	<b>FUEL PUMP MONTREAL</b>	<b>On request</b>
<b>8</b>	<b>2521350</b>	<b>BALL SOCKET/JOINT HEAD MONTREAL, REGULATING LINKAGE INJECTION PUMP</b>	<b>SEK107.25</b>
<b>9</b>	<b>25340210</b>	<b>FUEL INJECTION PUMP MONTREAL</b>	<b>On request</b>
<b>10</b>	<b>2537040</b>	<b>FUEL PIPE SET AT FUEL PUMPS - MONTREAL</b>	<b>SEK2,378.59</b>

<b>1</b>	<b>6400100</b>	<b>SET BRAKE SHOES 4 PIECES</b>	<b>SEK460.51</b>
<b>2</b>	<b>6500820</b>	<b>HANDBRAKE ADJUSTOR</b>	<b>SEK460.51</b>
<b>3</b>	<b>6500730</b>	<b>HANDBRAKE SHOE RETAINING PIN</b>	<b>SEK54.81</b>
<b>4</b>	<b>6810810</b>	<b>COUNTERPLATE FOR RETAINING PIN</b>	<b>SEK103.79</b>
<b>5</b>	<b>6810470</b>	<b>HANDBRAKE SHOE OPERATOR LEVER</b>	<b>SEK396.41</b>
<b>6</b>	<b>6810460</b>	<b>REAR BRAKE ANCHOR PLATE</b>	<b>On request</b>
<b>7</b>	<b>6801050</b>	<b>MAIN HANDBRAKE CABLE MONTREAL</b>	<b>SEK693.75</b>
<b>8</b>	<b>6500840</b>	<b>HANDBRAKE SHOE SPRING LONG</b>	<b>SEK75.20</b>
<b>9</b>	<b>6500850</b>	<b>HANDBRAKE SHOE SPRING SHORT</b>	<b>SEK54.81</b>
<b>10</b>	<b>6800170</b>	<b>HAND BRAKE CABLE SET (2PC) REAR LEFT AND RIGHT - 105 MONTREAL</b>	<b>SEK571.37</b>

# Motorlager/Enginemount Montreal

---



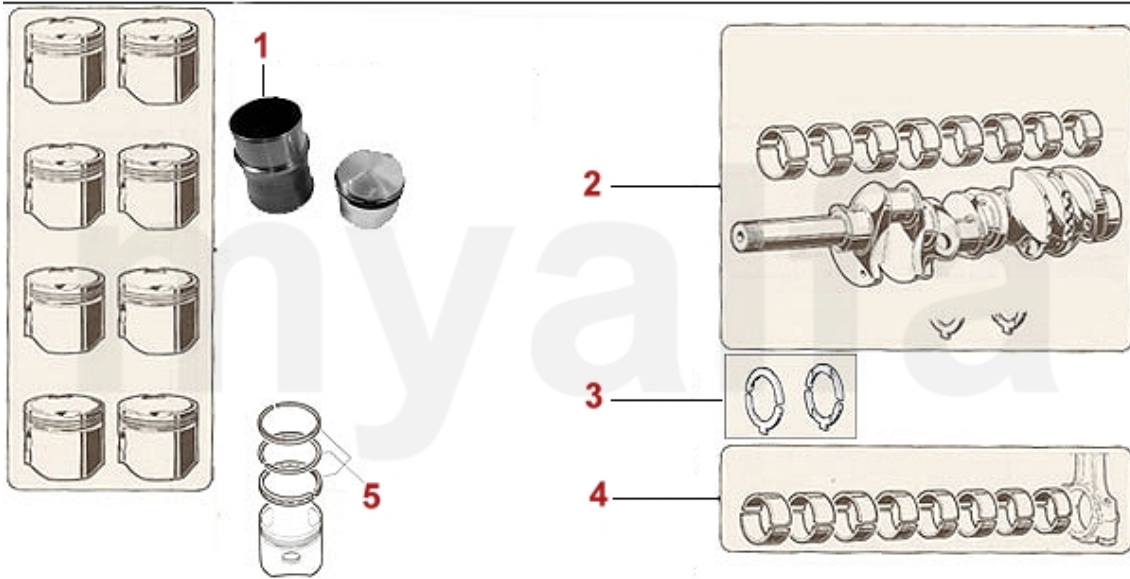
**1 2806400** SET ENGINE MOUNTS MONTREAL

**SEK2,087.08**

1	2236400	INTAKE VALVE MONTREAL 37 mm	SEK383.64
2	2236410	EXHAUST VALVE MONTREAL 33 mm	SEK383.64
3	2230400	VALVE GUIDE INTAKE STANDARD 9 x 14,05 x 51	SEK122.38
3	2231600	VALVE GUIDE INTAKE OVERSIZE 0.10 9 x 14,10 x 51	SEK162.06
3	2231610	VALVE GUIDE INTAKE OVERSIZE 0.20 9 x 14,15 x 51	SEK162.06
3	2230420	VALVE GUIDE EXHAUST STANDARD 9 x 14,05 x 54	SEK127.10
3	2231620	VALVE GUIDE EXHAUST OVERSIZE 0.10 9 x 14,10 x 54	SEK173.72
4	2332550	VALVE SEAL REINZ	SEK57.17
5	2232920	VALVE SPRING CUP	On request
6	2232950	SHIM VALVE CUP / SPRING	SEK41.35
7	2232740	SET VALVE SPRINGS 16 PIECES	SEK991.09
8	2232960	VALVE COTTER 9MM	SEK22.20
9	2431140	SET VALVE SHIMS 200 PIECES 2,525 - 3,5 mm, DIAMETER 9mm	SEK6,517.78
9	2430840	SET VALVE SHIMS 205 PIECES 1,5 - 2,5 mm, DIAMETER 9mm	SEK6,517.78
9	2430430	VALVE SHIM 9MM PLEASE SUBMIT THE SIZE YOU NEED	SEK144.58
10	2416430	TIMING BELT INJECTION PUMP MONTREAL	SEK571.37
11	24161020	TIMING CHAIN MONTREAL RIGHT IWIS	SEK931.57
12	24160980	TIMING CHAIN MONTREAL LEFT IWIS	SEK921.16
13	24160500	TIMING CHAIN MONTREAL SHORT IWIS	SEK565.55
14	24155030	TIMING CHAIN OIL PUMP MONTREAL IWIS	SEK687.92
15	2426470	SET SLIDE RAILS MONTREAL, PTFE TEFLON	SEK3,474.58
16	2421050	LOWER CHAIN TENSIONER 2600 / 105/115 / Montreal	SEK629.65
17	2240680	CAM FOLLOWER OE-QUALITY 101/105/115/116/75/155/164	SEK204.10
17	2240710	CAM FOLLOWER DLC RACING MADE IN ITALY 101/105/115/116/75/164	SEK460.51



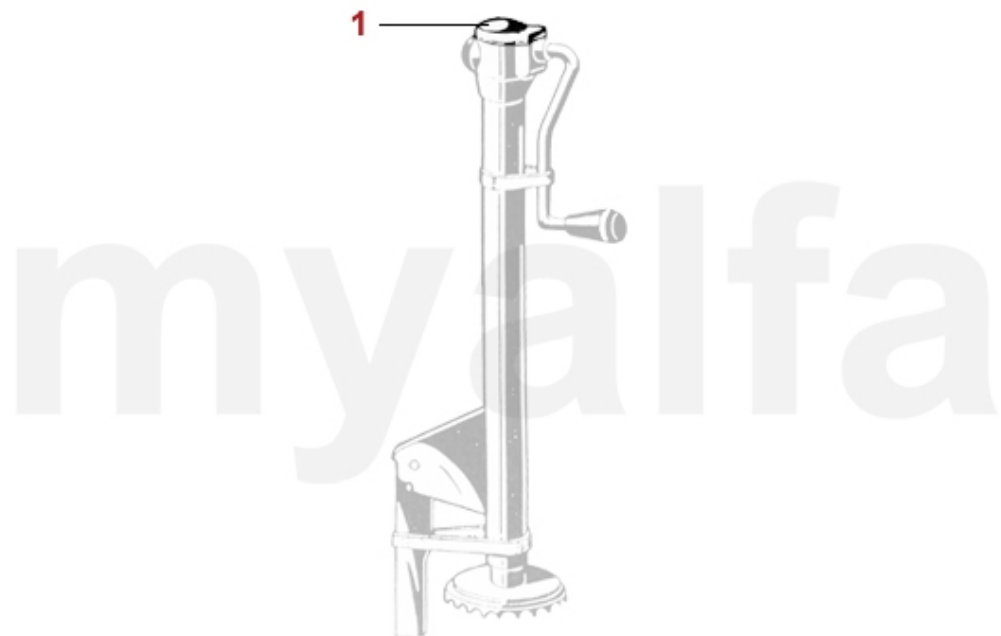
# Kolben/Lager-Pistons/Bearings Montreal



<b>1</b>	<b>2216415</b>	<b>PISTON / LINER MONTREAL</b>	<b>SEK4,430.70</b>
<b>2</b>	<b>2256430</b>	<b>MAIN BEARINGS MONTREAL STANDARD</b>	<b>SEK4,768.84</b>
<b>2</b>	<b>2256431</b>	<b>MAIN BEARINGS MONTREAL +0,10</b>	<b>SEK4,768.84</b>
<b>2</b>	<b>2256432</b>	<b>MAIN BEARINGS MONTREAL +0,20</b>	<b>SEK4,768.84</b>
<b>2</b>	<b>2256433</b>	<b>MAIN BEARINGS MONTREAL +0,30</b>	<b>SEK5,584.97</b>
<b>2</b>	<b>2256434</b>	<b>MAIN BEARINGS MONTREAL +0,40</b>	<b>SEK5,584.97</b>
<b>3</b>	<b>2256440</b>	<b>SET THRUST WASHERS STD MONTREAL</b>	<b>SEK2,308.52</b>
<b>4</b>	<b>2266450</b>	<b>BIG END BEARINGS MONTREAL STANDARD</b>	<b>SEK4,069.26</b>
<b>4</b>	<b>2266451</b>	<b>BIG END BEARINGS MONTREAL +0,10</b>	<b>SEK4,069.26</b>
<b>4</b>	<b>2266452</b>	<b>BIG END BEARINGS MONTREAL +0,20</b>	<b>SEK4,419.05</b>
<b>4</b>	<b>2266453</b>	<b>BIG END BEARIINGS MONTREAL +0,30</b>	<b>SEK4,419.05</b>
<b>4</b>	<b>2266454</b>	<b>BIG END BEARIINGS MONTREAL +0,40</b>	<b>SEK5,362.27</b>
<b>5</b>	<b>2282265</b>	<b>SET PISTON RINGS MONTREAL (FOR 1 PISTON)</b>	<b>SEK454.68</b>

<b>1</b>	<b>5566450</b>	<b>IDLER ARM MONTREAL EXCHANGE / SURCHARGE 300 EURO</b>	<b>SEK4,302.36</b>
<b>2</b>	<b>5540331</b>	<b>OUTER TRACK ROD END LEFT HAND THREAD LEMFÖRDER</b>	<b>On request</b>
<b>2</b>	<b>5540332</b>	<b>OUTER TRACK ROD END RIGHT HAND THREAD LEMFÖRDER</b>	<b>On request</b>
<b>3</b>	<b>5540181</b>	<b>INNER TRACK ROD END LEFT HAND THREAD LEMFÖRDER</b>	<b>On request</b>
<b>3</b>	<b>5540182</b>	<b>INNER TRACK ROD END RIGHT HAND THREAD LEMFÖRDER</b>	<b>SEK489.65</b>
<b>4</b>	<b>5540111</b>	<b>COUNTER NUT TRACK ROD LEFT HAND THREAD</b>	<b>SEK29.14</b>
<b>4</b>	<b>5540112</b>	<b>COUNTER NUT TRACK ROD RIGHT HAND THREAD</b>	<b>SEK29.14</b>
<b>5</b>	<b>5511050</b>	<b>STEERING BOX CASING BURMAN MONTREAL</b>	<b>SEK8,569.89</b>
<b>6</b>	<b>1770310</b>	<b>LOCKING TAB STEERING WHEEL UNTIL 1985</b>	<b>SEK57.17</b>
<b>7</b>	<b>1770320</b>	<b>NUT STEERING WHEEL - 1900, 750/101, 102/106, 105/ 115 UNTIL 1985</b>	<b>SEK204.10</b>

<b>1</b>	<b>8830010</b>	<b>SET WIPER BLADES MONTREAL STAINLESS STEEL</b>	<b>SEK698.47</b>
<b>2</b>	<b>8810010</b>	<b>WIPER WASHER RESERVOIR MONTREAL</b>	<b>SEK1,922.66</b>
<b>3</b>	<b>8810020</b>	<b>LID FOR WIPER WATER RESERVOIR MONTREAL</b>	<b>SEK289.16</b>
<b>4</b>	<b>8810210</b>	<b>WINDSHIELD WASHER FOOT PUMP</b>	<b>SEK757.85</b>
<b>5</b>	<b>8800820</b>	<b>WASHER JET CHROME 2-JETS (750/101)</b>	<b>SEK150.41</b>



**1 9811050 BATTAINI CAP FOR JACK TOP ALFA ROMEO 105 SERIES**

**SEK197.58**



\*das Bild zeigt eine Stretchshell Decke in schwarz

<b>1</b>	<b>9111180</b>	<b>CARCOVER MADE TO MEASURE ALFA ROMEO MONTREAL WITH BADGE, RED</b>	<b>SEK1,970.53</b>
<b>2</b>	<b>9116460</b>	<b>CAR COVER ALFA ROMEO MONTREAL, RED</b>	<b>SEK1,387.50</b>
<b>2</b>	<b>9116470</b>	<b>CAR COVER ALFA ROMEO MONTREAL, BLUE</b>	<b>SEK1,387.50</b>
<b>2</b>	<b>9116480</b>	<b>CAR COVER ALFA ROMEO MONTREAL, GREEN</b>	<b>SEK1,387.50</b>
<b>2</b>	<b>9116490</b>	<b>CAR COVER ALFA ROMEO MONTREAL, BLACK</b>	<b>SEK1,387.50</b>

<b>1</b>	<b>9822260</b>	<b>BATTERY CHARGER AB-4 ABSAAR</b>	<b>SEK553.89</b>
<b>2</b>	<b>9822250</b>	<b>BATTERY LIFE SAFER</b>	<b>SEK448.86</b>
<b>3</b>	<b>8701130</b>	<b>BATTERY SWITCH / MASS POLE CLAMP</b>	<b>SEK92.13</b>

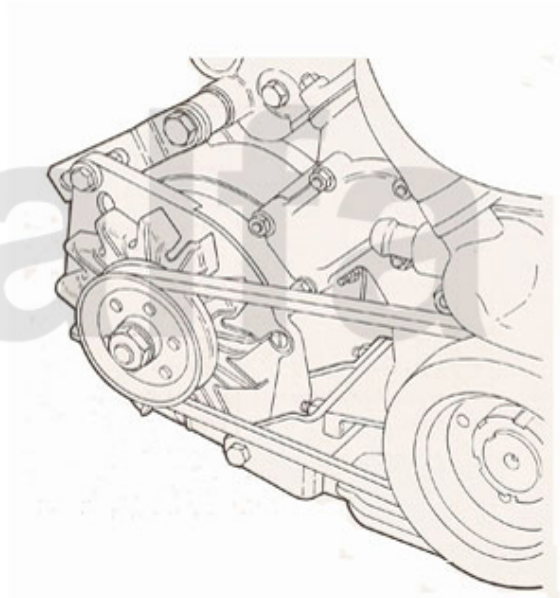


# Keilriemen/V-Belts Montreal

---

**1. 270 10775**  
Generator  
9,5/10 x 775

**2. 270 10990**  
Servolenkung/  
Powersteering  
9,5/10 x 990



**1 27010775 V-BELT ALTERNATOR MONTREAL, 9,5 x 775**

**SEK181.90**

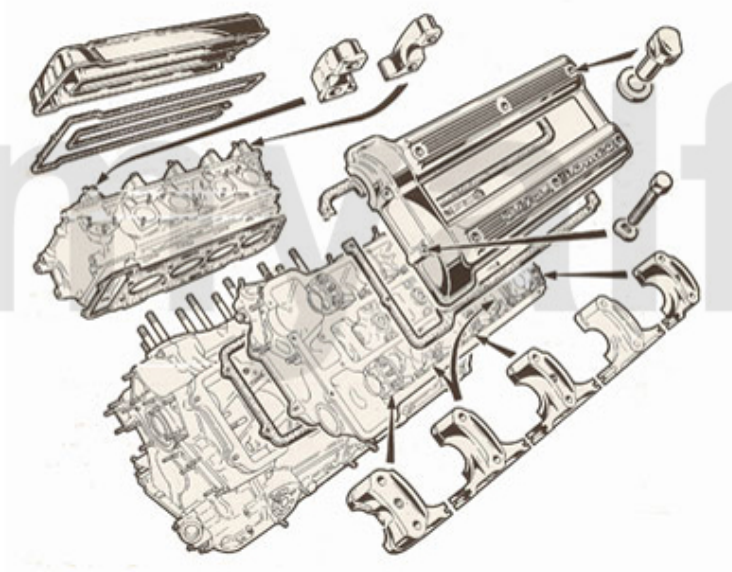
**2 27010990 V-BELT POWER STEERING MONTREAL, 9,5 x 990**

**SEK170.25**



# Kopfdichtsatz/Head Set Montreal

---

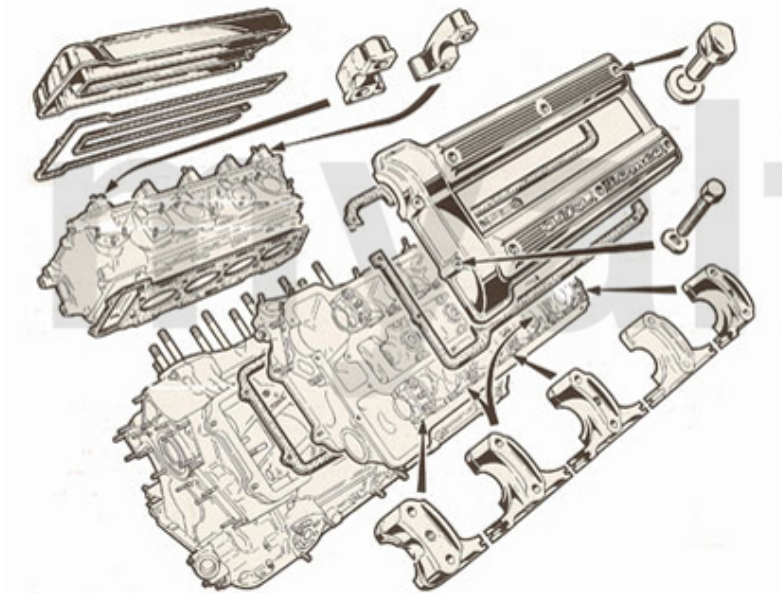


**1 2326450 HEAD OVERHAUL SET MONTREAL WITH HEAD GASKETS**

*On request*

# Motordichtsatz/Full Set Montreal

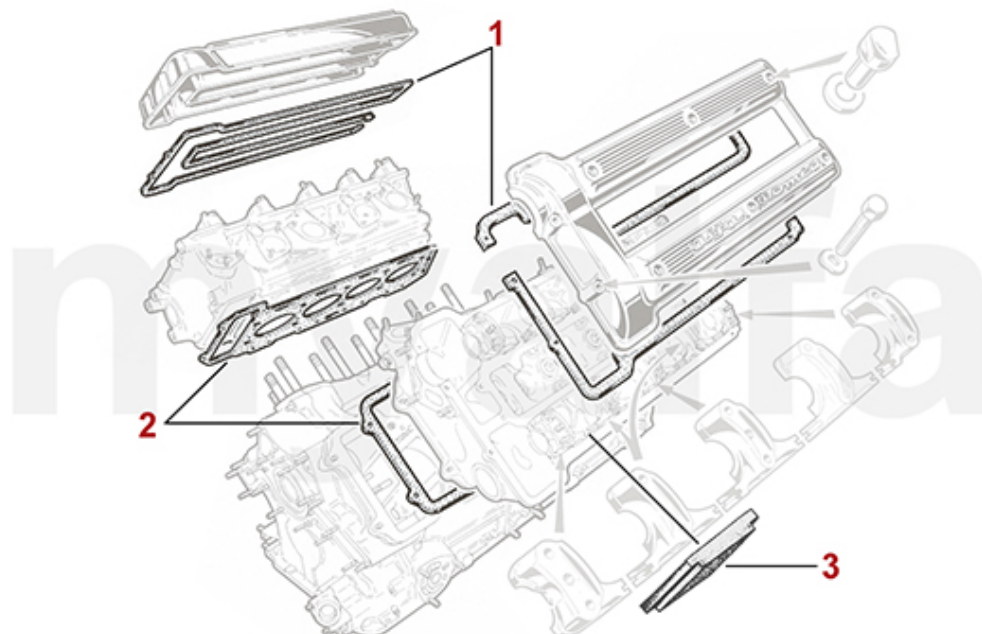
---



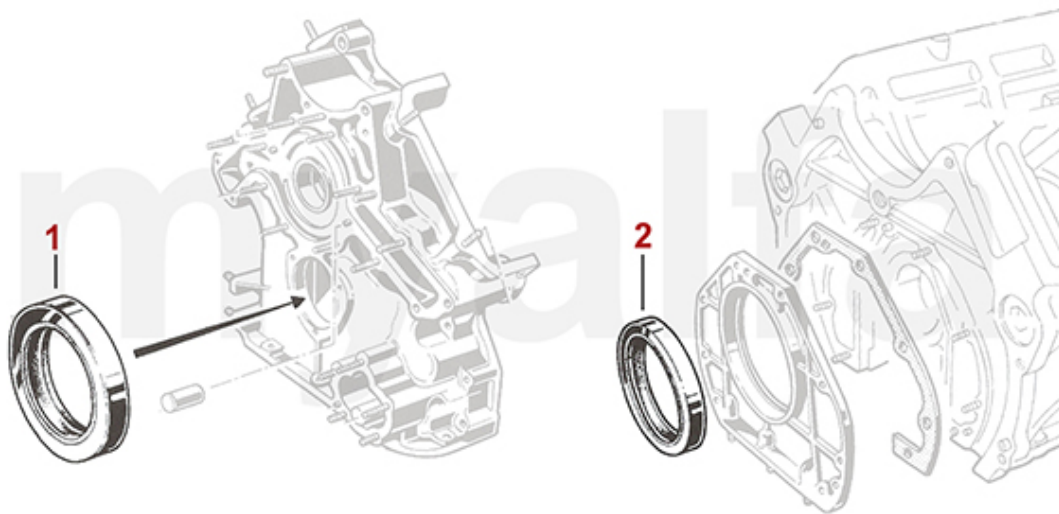
**1. 231 646 0**  
ohne Simmeringe/  
without oil seals

**1 2316460 FULL ENGINE GASKET SET MONTREAL WITH HEAD GASKETS LESS OIL SEALS**

**SEK3,252.99**



<b>1</b>	<b>2336410</b>	<b>SET CAM COVER GASKETS MONTREAL</b>	<b>SEK846.51</b>
<b>2</b>	<b>2336450</b>	<b>SET HEAD GASKETS MONTREAL ELRING</b>	<b>SEK4,069.26</b>
<b>3</b>	<b>2336400</b>	<b>RUBBER BLOCK MONTREAL VALVE COVER GASKET</b>	<b>SEK103.79</b>



**1 2336460 OIL SEAL CRANK SHAFT MONTREAL FRONT**

**SEK320.65**

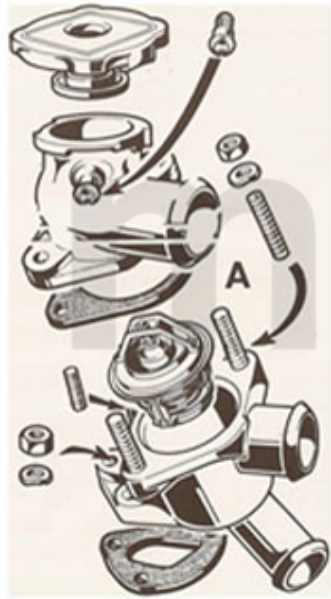
**2 2330230 OIL SEAL CRANK SHAFT REAR 82/105/12 750/101/105/115/116 UP TO 1989, OEM QUALITY**

**SEK383.64**



# Thermostat Montreal

---

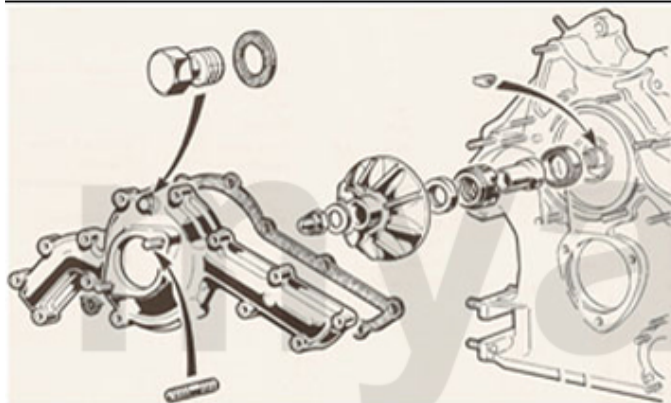


1. 263 005 0

1 2630050 THERMOSTAT MONTREAL 79 DEGREE CELSIUS

SEK465.23

# Wasserpumpe/Waterpump Montreal



1. 262 645 0



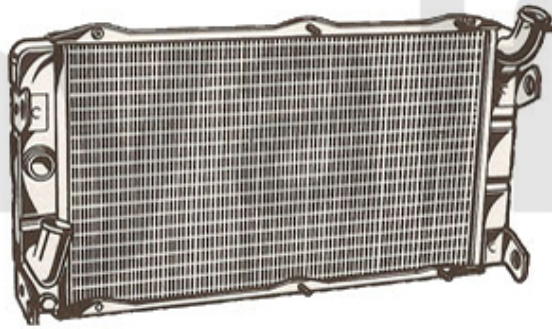
1 2626450 REPAIR KIT WATERPUMP MONTREAL

SEK3,152.82

# Motorkühler/Radiator Montreal

---

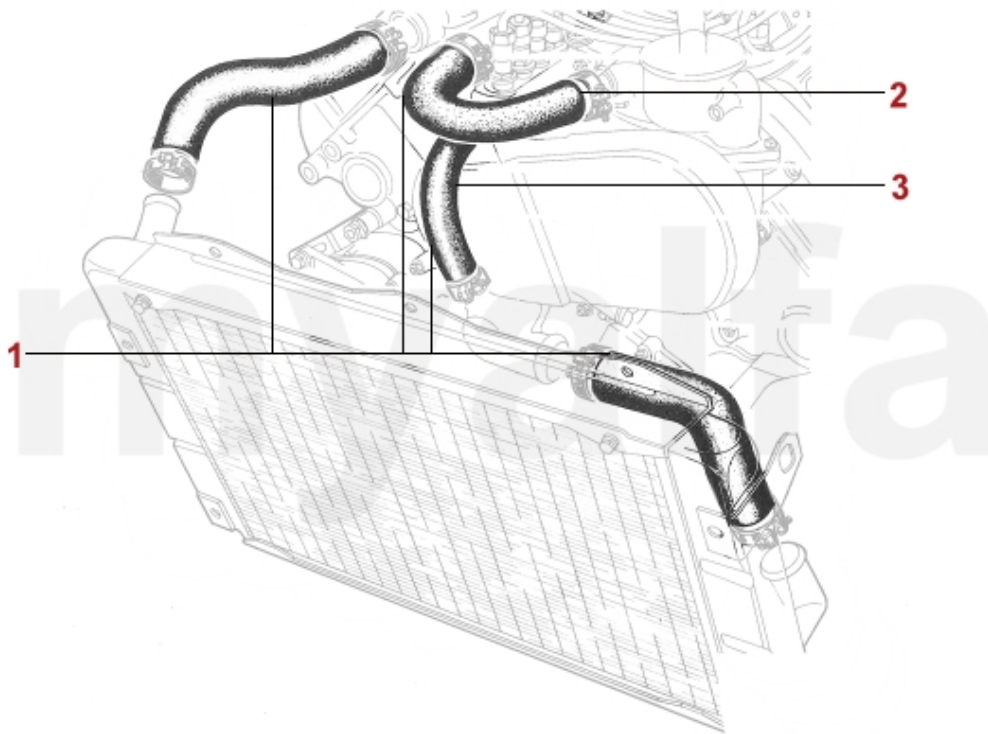
1. 261 645 0



1 2616450 RADIATOR MONTREAL EXCHANGE

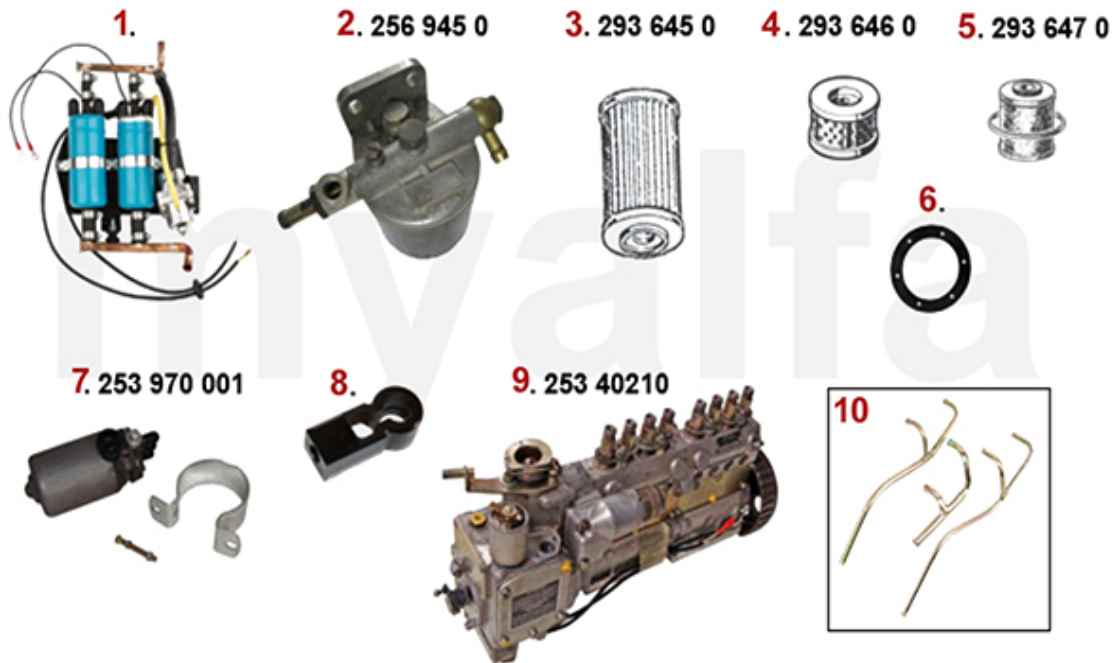
SEK6,943.33





<b>1</b>	<b>2660730</b>	<b>SET (4pc) COOLANT HOSES MONTREAL</b>	<b>SEK1,620.74</b>
<b>2</b>	<b>26615761</b>	<b>RADIATOR HOSE MONTREAL CYLINDER HEAD BYPASS</b>	<b>On request</b>
<b>3</b>	<b>26615764</b>	<b>RADIATOR HOSE WATER PUMP CYLINDER HEAD MONTREAL</b>	<b>On request</b>

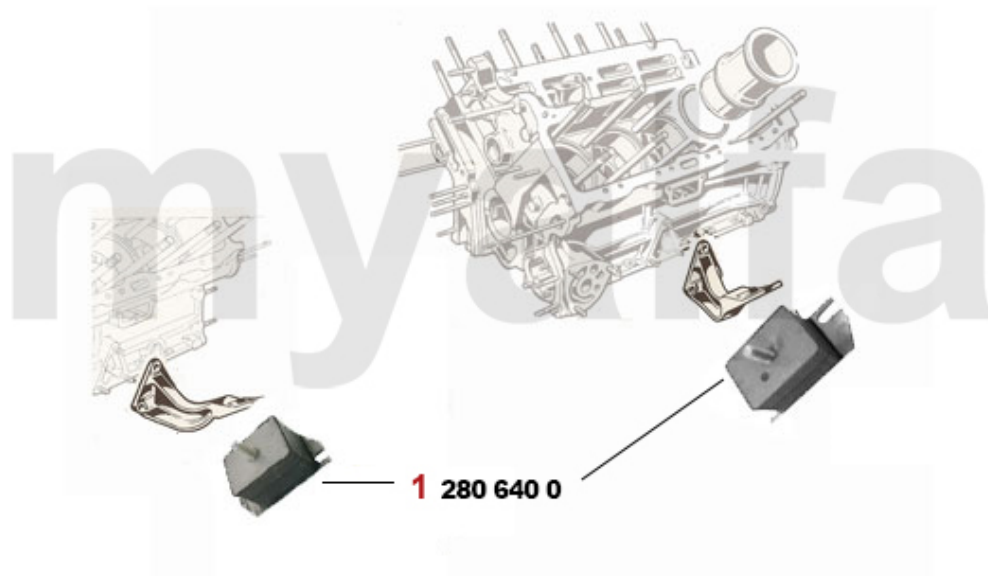
# Kraftstoffförderung/Fuel System Montreal



<b>1</b>	<b>2537020</b>	<b>FUEL PUMP SET MONTREAL</b>	<b>On request</b>
<b>2</b>	<b>2569450</b>	<b>FUEL PRESSURE REGULATOR MONTREAL</b>	<b>SEK1,743.12</b>
<b>3</b>	<b>2936450</b>	<b>OIL FILTER INJECTION PUMP SPICA MONTREAL</b>	<b>SEK465.23</b>
<b>4</b>	<b>2936460</b>	<b>FUEL FILTER Tank MONTREAL</b>	<b>SEK543.35</b>
<b>5</b>	<b>2936470</b>	<b>FUEL FILTER MONTREAL</b>	<b>SEK395.30</b>
<b>6</b>	<b>8650180</b>	<b>RUBBER GASKET SEAL FUEL FILTER TANK MONTREAL</b>	<b>SEK220.34</b>
<b>7</b>	<b>25370001</b>	<b>FUEL PUMP MONTREAL</b>	<b>On request</b>
<b>8</b>	<b>2521350</b>	<b>BALL SOCKET/JOINT HEAD MONTREAL, REGULATING LINKAGE INJECTION PUMP</b>	<b>SEK107.25</b>
<b>9</b>	<b>25340210</b>	<b>FUEL INJECTION PUMP MONTREAL</b>	<b>On request</b>
<b>10</b>	<b>2537040</b>	<b>FUEL PIPE SET AT FUEL PUMPS - MONTREAL</b>	<b>SEK2,378.59</b>

# Motorlager/Enginemount Montreal

---

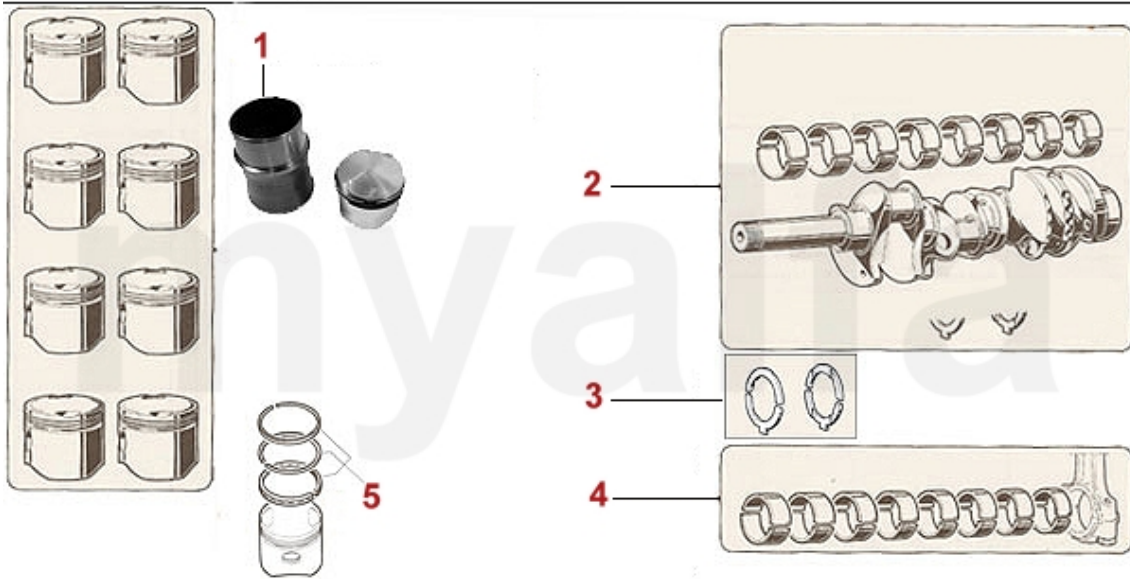


**1 2806400** SET ENGINE MOUNTS MONTREAL

**SEK2,087.08**

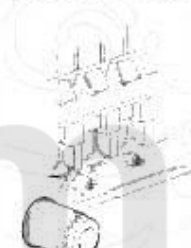


1	2236400	INTAKE VALVE MONTREAL 37 mm	SEK383.64
2	2236410	EXHAUST VALVE MONTREAL 33 mm	SEK383.64
3	2230400	VALVE GUIDE INTAKE STANDARD 9 x 14,05 x 51	SEK122.38
3	2231600	VALVE GUIDE INTAKE OVERSIZE 0.10 9 x 14,10 x 51	SEK162.06
3	2231610	VALVE GUIDE INTAKE OVERSIZE 0.20 9 x 14,15 x 51	SEK162.06
3	2230420	VALVE GUIDE EXHAUST STANDARD 9 x 14,05 x 54	SEK127.10
3	2231620	VALVE GUIDE EXHAUST OVERSIZE 0.10 9 x 14,10 x 54	SEK173.72
4	2332550	VALVE SEAL REINZ	SEK57.17
5	2232920	VALVE SPRING CUP	On request
6	2232950	SHIM VALVE CUP / SPRING	SEK41.35
7	2232740	SET VALVE SPRINGS 16 PIECES	SEK991.09
8	2232960	VALVE COTTER 9MM	SEK22.20
9	2431140	SET VALVE SHIMS 200 PIECES 2,525 - 3,5 mm, DIAMETER 9mm	SEK6,517.78
9	2430840	SET VALVE SHIMS 205 PIECES 1,5 - 2,5 mm, DIAMETER 9mm	SEK6,517.78
9	2430430	VALVE SHIM 9MM PLEASE SUBMIT THE SIZE YOU NEED	SEK144.58
10	2416430	TIMING BELT INJECTION PUMP MONTREAL	SEK571.37
11	24161020	TIMING CHAIN MONTREAL RIGHT IWIS	SEK931.57
12	24160980	TIMING CHAIN MONTREAL LEFT IWIS	SEK921.16
13	24160500	TIMING CHAIN MONTREAL SHORT IWIS	SEK565.55
14	24155030	TIMING CHAIN OIL PUMP MONTREAL IWIS	SEK687.92
15	2426470	SET SLIDE RAILS MONTREAL, PTFE TEFLON	SEK3,474.58
16	2421050	LOWER CHAIN TENSIONER 2600 / 105/115 / Montreal	SEK629.65
17	2240680	CAM FOLLOWER OE-QUALITY 101/105/115/116/75/155/164	SEK204.10
17	2240710	CAM FOLLOWER DLC RACING MADE IN ITALY 101/105/115/116/75/164	SEK460.51

# Kolben/Lager-Pistons/Bearings Montreal



1	2216415	PISTON / LINER MONTREAL	SEK4,430.70
2	2256430	MAIN BEARINGS MONTREAL STANDARD	SEK4,768.84
2	2256431	MAIN BEARINGS MONTREAL +0,10	SEK4,768.84
2	2256432	MAIN BEARINGS MONTREAL +0,20	SEK4,768.84
2	2256433	MAIN BEARINGS MONTREAL +0,30	SEK5,584.97
2	2256434	MAIN BEARINGS MONTREAL +0,40	SEK5,584.97
3	2256440	SET THRUST WASHERS STD MONTREAL	SEK2,308.52
4	2266450	BIG END BEARINGS MONTREAL STANDARD	SEK4,069.26
4	2266451	BIG END BEARINGS MONTREAL +0,10	SEK4,069.26
4	2266452	BIG END BEARINGS MONTREAL +0,20	SEK4,419.05
4	2266453	BIG END BEARINGS MONTREAL +0,30	SEK4,419.05
4	2266454	BIG END BEARINGS MONTREAL +0,40	SEK5,362.27
5	2282265	SET PISTON RINGS MONTREAL (FOR 1 PISTON)	SEK454.68

# Filter Giulietta

Oelfilter/Oilfilter	Luftfilter/Airfilter
 <p><b>1. 291 123</b> &gt;04.1981</p> <p><b>2. 291 125</b> 05.1981&gt;</p>	 <p><b>3. 292 116</b> 1.3/1.6 &gt;04.1981</p> <p><b>4. 292 98</b> 1.8/2.0/Turbo &gt;04.1981</p> <p><b>5. 292 151</b> 1.3/1.6/1.8/2.0 05.1981&gt;</p>
Kraftstofffilter/Fuelfilter	
 <p><b>6. 2930070</b> Fispa Einsatz/insert</p> <p><b>7. 293 13</b> universal</p> <p><b>8. 2930140</b> Einspritzer/ injection</p>	

<b>1</b>	<b>291123</b>	<b>OE. 60553431, 60537470, 60533494, 60521128 OILFILTER</b>	<b>SEK127.65</b>
<b>2</b>	<b>291125</b>	<b>OE. 60507080/60808974 OILFILTER</b>	<b>SEK138.75</b>
<b>3</b>	<b>292116</b>	<b>OE. 60723852 AIR FILTER ALFETTA, GIULIETTA, GTV/4 (116) 1.3/1.6 eckig</b>	<b>SEK698.47</b>
<b>4</b>	<b>29298</b>	<b>AIR FILTER ALFETTA, GIULIETTA, GTV4 (116) 1.8/2.0, SEVERAL 105 TYPES</b>	<b>SEK274.03</b>
<b>5</b>	<b>292151</b>	<b>OE. 60522418 AIR FILTER 75. 90. ALFETTA, GIULIETTA, GTV/4 (116), 2.0</b>	<b>SEK285.69</b>
<b>6</b>	<b>2930070</b>	<b>FUEL FILTER FISPA 35 mm</b>	<b>SEK87.41</b>
<b>7</b>	<b>29313</b>	<b>FUEL LINE FILTER (UNIVERSAL)</b>	<b>SEK92.13</b>
<b>8</b>	<b>2930140</b>	<b>FUEL FILTER SPIDER 2000 IE 1986-93</b>	<b>SEK309.00</b>

<b>1</b>	<b>33207803</b>	<b>FRONT EXHAUST SECTION MONTREAL RIGHT</b>	<b>SEK3,952.57</b>
<b>2</b>	<b>33207813</b>	<b>FRONT EXHAUST SECTION MONTREAL LEFT</b>	<b>SEK3,952.57</b>
<b>3</b>	<b>34107806</b>	<b>MIDDLE EXHAUST SECTION MONTREAL RIGHT</b>	<b>SEK4,419.05</b>
<b>4</b>	<b>34107816</b>	<b>MIDDLE EXHAUST SECTION MONTREAL LEFT</b>	<b>SEK4,419.05</b>
<b>5</b>	<b>35107807</b>	<b>REAR EXHAUST SECTION MONTREAL RIGHT</b>	<b>SEK3,492.06</b>
<b>6</b>	<b>35107817</b>	<b>REAR EXHAUST SECTION MONTREAL LEFT</b>	<b>SEK3,492.06</b>
<b>7</b>	<b>38094407</b>	<b>GASKET EXHAUST MANIFOLD / FRONT EXHAUST SECTION MONTREAL</b>	<b>SEK99.07</b>
<b>8</b>	<b>38094047</b>	<b>O-RING REAR EXHAUST SECTION MONTREAL</b>	<b>SEK92.13</b>
<b>9</b>	<b>3800240</b>	<b>EXHAUST RUBBER MOUNT GTV6/MONTREAL REAR SECTION</b>	<b>SEK87.41</b>
<b>10</b>	<b>3800260</b>	<b>EXHAUST RUBBER HANGER</b>	<b>SEK58.28</b>
<b>11</b>	<b>3800510</b>	<b>EXHAUST HANGER RUBBER WASHER (SET 2)</b>	<b>SEK127.10</b>
<b>12</b>	<b>3800500</b>	<b>SET JACKET EXHAUST HANGER RUBBERS (2PC)</b>	<b>SEK67.43</b>
<b>13</b>	<b>3800280</b>	<b>GEARBOX EXHAUST HANGER BUSH</b>	<b>SEK110.72</b>

# Abgasanlage/Exhaustsystem Giulietta 2.0 TD

⊙ 4 x2

⊙ 5 x1

⊙ 4 x2



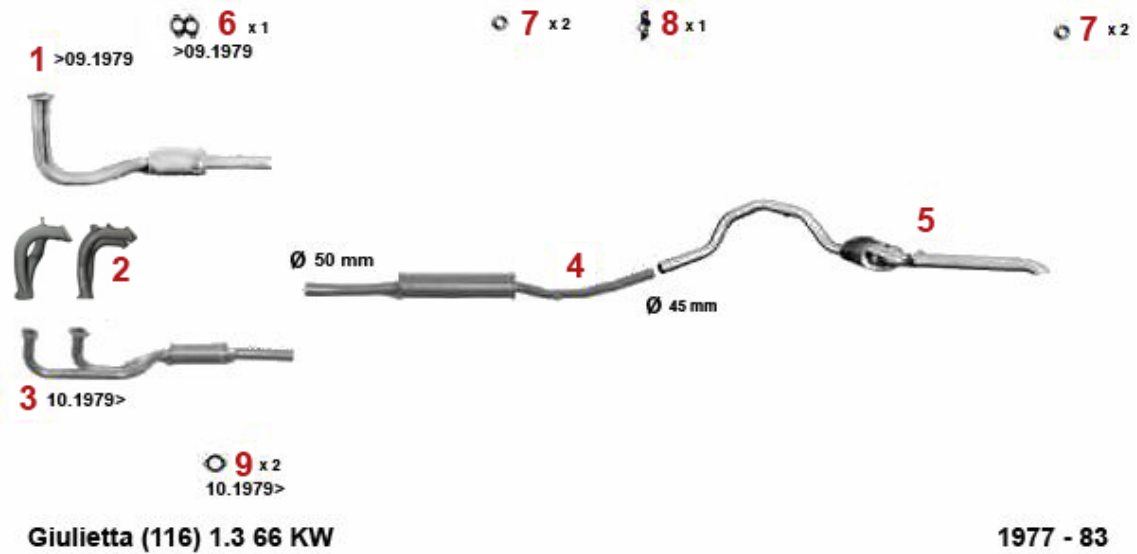
Giulietta (116) 2.0 Turbo Diesel 61 KW

1983 - 85

1	33104201	DOWNPIPE ALFETTA,GIULIETTA 1983-85 2.0,2.4 TD (ORIGINAL 1PIECE WITH MIDDLE SILENCER)	On request
2	34104176	MIDDLE SILENCER ALFETTA, GIULIETTA 2.0.2.4 TD 1979-85	On request
3	35102077	REAR SILENCER 2.0 TD 1983-85	SEK2,285.35
4	38091011	OE. 60521386 RUBBER RING	SEK26.78
5	38091024	OE. 60521407 EXHAUST RUBBER MOUNT	SEK54.81



# Abgasanlage/Exhaustsystem Giulietta 1.3

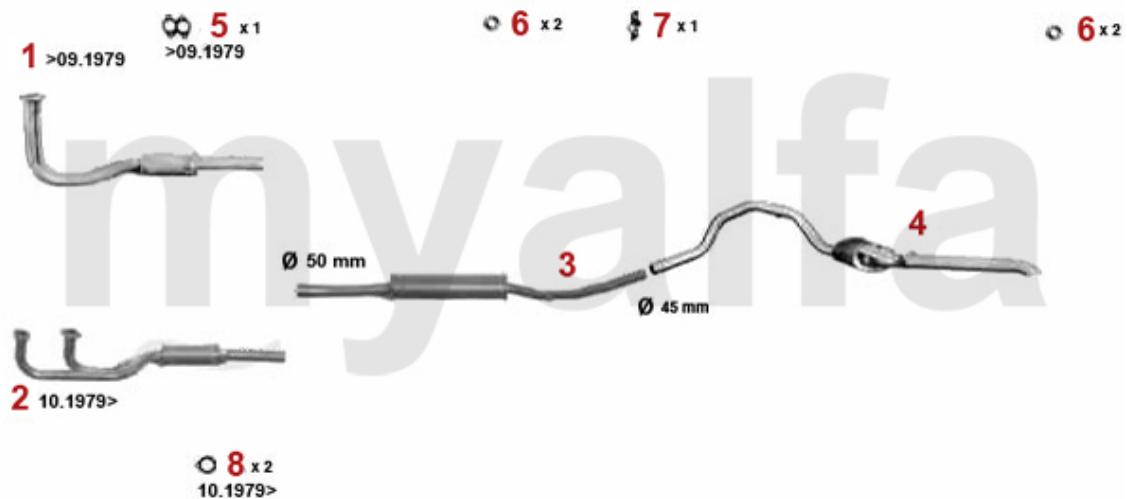


Giulietta (116) 1.3 66 KW

1977 - 83

1	33201403	PRESILENCER GIULIETTA 1.3 1977-79 (ORIGINAL ONE PIECE WITH MIDDLESILENCER)	SEK1,235.99
1	31121536	OE. 60521536 EXHAUST MANIFOLD 116 4-CYLINDER 1+4	On request
2	31121084	OE. 60521084 EXHAUST MANIFOLD 116 4-CYLINDER 2+3	On request
3	33201703	OE. 60526049 FRONT MUFFLER	SEK1,783.91
4	34101476	OE. 60730551 MIDDLE SILENCER	SEK1,329.23
5	35101407	OE. 60729292 REAR SILENCER	SEK2,087.08
6	3800470	GASKET ONE PIECE EXHAUST / FRONT EXHAUST SECTION	SEK116.55
7	38091011	OE. 60521386 RUBBER RING	SEK26.78
8	38091024	OE. 60521407 EXHAUST RUBBER MOUNT	SEK54.81
9	38094413	OE. 60777697 GASKET	SEK80.48

# Abgasanlage/Exhaustsystem Giulietta 1.6

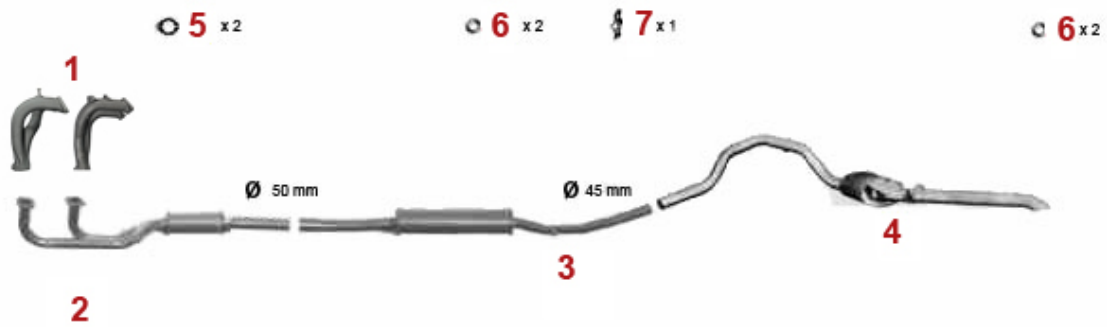


Giulietta (116) 1.6 79 KW

1977 - 83

1	33201403	PRESILENCER GIULIETTA 1.3 1977-79 (ORIGINAL ONE PIECE WITH MIDDLESILENCER)	SEK1,235.99
2	31121084	OE. 60521084 EXHAUST MANIFOLD 116 4-CYLINDER 2+3	On request
2	31121536	OE. 60521536 EXHAUST MANIFOLD 116 4-CYLINDER 1+4	On request
3	33201703	OE. 60526049 FRONT MUFFLER	SEK1,783.91
4	34101476	OE. 60730551 MIDDLE SILENCER	SEK1,329.23
5	35101407	OE. 60729292 REAR SILENCER	SEK2,087.08
6	3800470	GASKET ONE PIECE EXHAUST / FRONT EXHAUST SECTION	SEK116.55
7	38091011	OE. 60521386 RUBBER RING	SEK26.78
8	38091024	OE. 60521407 EXHAUST RUBBER MOUNT	SEK54.81
9	38094413	OE. 60777697 GASKET	SEK80.48

# Abgasanlage/Exhaustsystem Giulietta 1.8

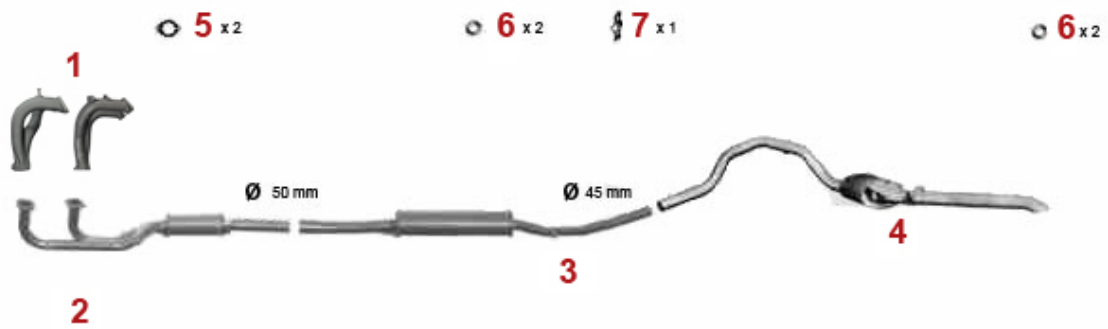


Giulietta (116) 1.8

1979 - 85

1	31121084	OE. 60521084 EXHAUST MANIFOLD 116 4-CYLINDER 2+3	On request
1	31121536	OE. 60521536 EXHAUST MANIFOLD 116 4-CYLINDER 1+4	On request
2	33201803	OE. 60730546 FRONT MUFFLER	SEK1,895.88
3	34101476	OE. 60730551 MIDDLE SILENCER	SEK1,329.23
4	35101407	OE. 60729292 REAR SILENCER	SEK2,087.08
5	38094413	OE. 60777697 GASKET	SEK80.48
6	38091011	OE. 60521386 RUBBER RING	SEK26.78
7	38091024	OE. 60521407 EXHAUST RUBBER MOUNT	SEK54.81

# Abgasanlage/Exhaustsystem Giulietta 2.0



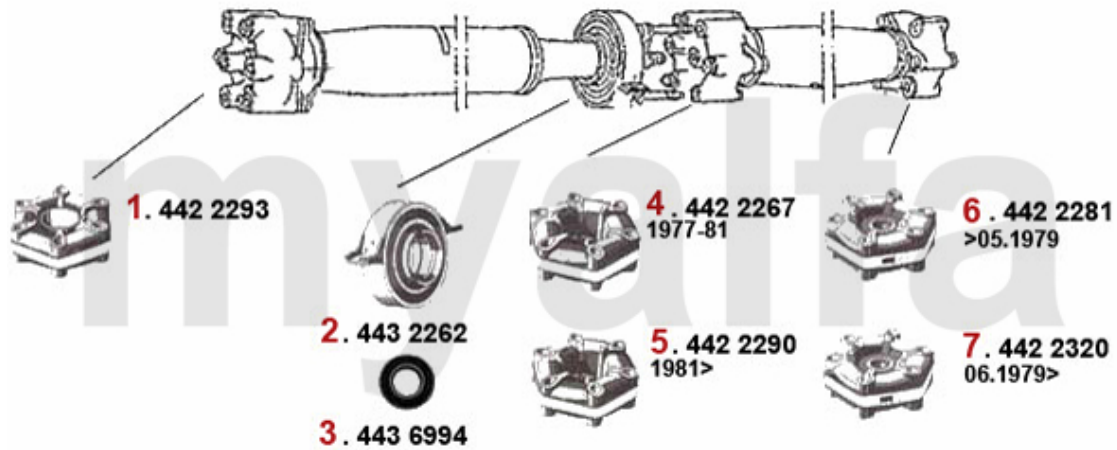
Giulietta (116) 2.0

1979 - 85

1	31121084	OE. 60521084 EXHAUST MANIFOLD 116 4-CYLINDER 2+3	On request
1	31121536	OE. 60521536 EXHAUST MANIFOLD 116 4-CYLINDER 1+4	On request
2	33201803	OE. 60730546 FRONT MUFFLER	SEK1,895.88
3	34101476	OE. 60730551 MIDDLE SILENCER	SEK1,329.23
4	35101407	OE. 60729292 REAR SILENCER	SEK2,087.08
5	38094413	OE. 60777697 GASKET	SEK80.48
6	38091011	OE. 60521386 RUBBER RING	SEK26.78
7	38091024	OE. 60521407 EXHAUST RUBBER MOUNT	SEK54.81

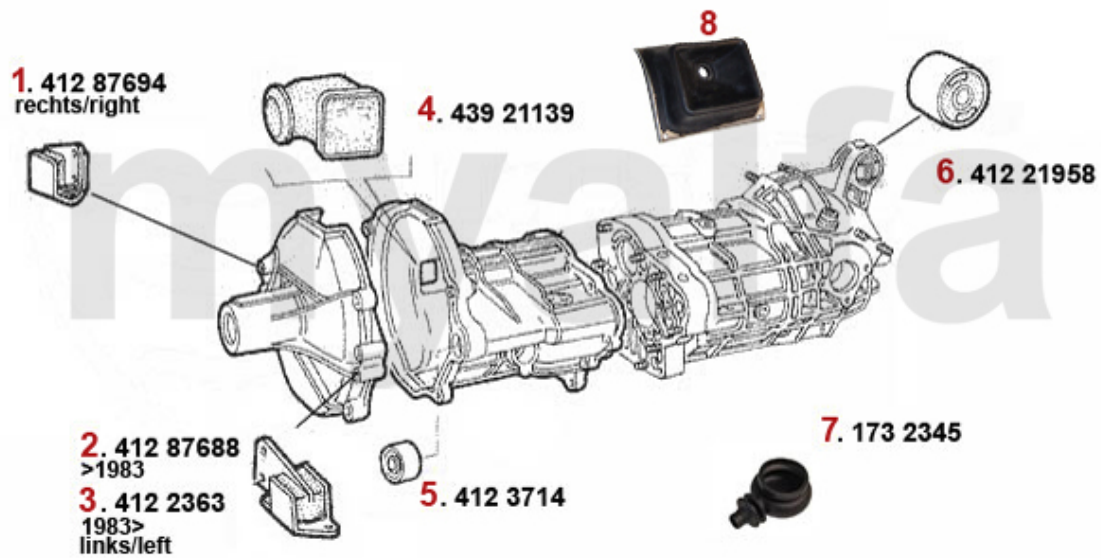
<b>1</b>	<b>2910050</b>	<b>SPIN-ON STYLE OIL FILTER</b>	<b>SEK115.44</b>
<b>1</b>	<b>2910230</b>	<b>OILFILTER ORANGE - ORIGINAL RETRO DESIGN</b>	<b>SEK208.68</b>
<b>1</b>	<b>2910220</b>	<b>SPIN-ON STYLE OIL FILTER ORIGINAL Alfa Romeo</b>	<b>SEK173.72</b>
<b>2</b>	<b>2920310</b>	<b>SET AIR FILTERS MONTREAL</b>	<b>SEK1,037.71</b>
<b>3</b>	<b>2526450</b>	<b>SET WING NUTS FOR MONTREAL AIR FILTER HOUSING (6 PC)</b>	<b>SEK931.57</b>
<b>4</b>	<b>2936460</b>	<b>FUEL FILTER Tank MONTREAL</b>	<b>SEK543.35</b>
<b>5</b>	<b>2936470</b>	<b>FUEL FILTER MONTREAL</b>	<b>SEK395.30</b>
<b>6</b>	<b>2936450</b>	<b>OIL FILTER INJECTION PUMP SPICA MONTREAL</b>	<b>SEK465.23</b>

# Antriebswelle/Driveshaft Giulietta (116)



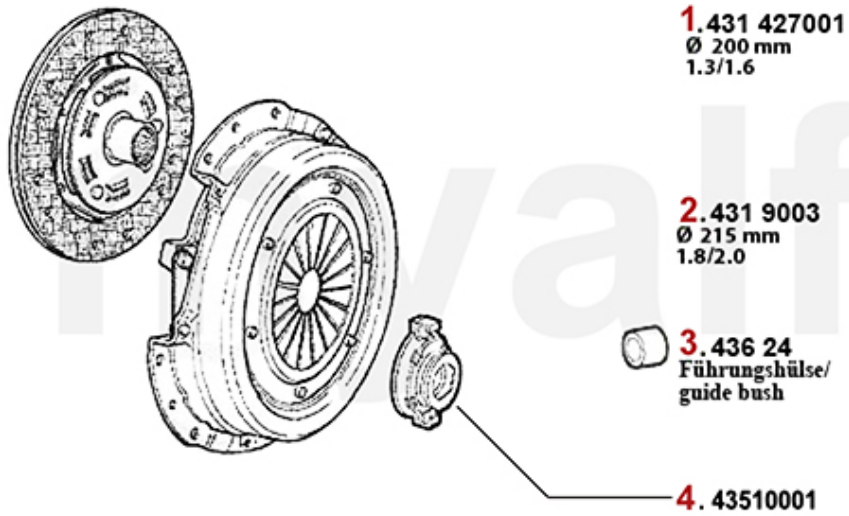
<b>1</b>	<b>4422293</b>	<b>FRONT FLEX DISC 116 4-CYLINDERS OE.60521648</b>	<b>SEK991.09</b>
<b>2</b>	<b>4432262</b>	<b>OE. 60505302 PROP SHAFT CENTER SUPPORT 116 4-CYL.</b>	<b>SEK566.66</b>
<b>3</b>	<b>4436994</b>	<b>OE. 60505303 CENTER SHAFT BEARING ALFETTA, GTV (116), GIULIETTA,75 4 CYLINDER</b>	<b>SEK290.27</b>
<b>4</b>	<b>4422267</b>	<b>OE.116001530202/60521647 FLEX DISK</b>	<b>On request</b>
<b>5</b>	<b>4422290</b>	<b>MIDDLE FLEX DISC ALFETTA, GIULIETTA 11.1976 &gt; , 75,90</b>	<b>SEK1,375.85</b>
<b>6</b>	<b>4422281</b>	<b>REAR FLEX DISC Alfetta 77&gt;5/7960725177/116081504402</b>	<b>On request</b>
<b>7</b>	<b>4422320</b>	<b>OE.60521631 REAR FLEX DISC 116 4-CYLINDER</b>	<b>SEK1,014.40</b>

# Getriebeaufhängung/Gear Mount Giulietta (116)



1	41287694	OE. 60521143 GEAR MOUNT 116 4-CYLINDER RIGHT	SEK406.95
2	41287688	OE. 60723913 GEAR MOUNT 116, 4-CYL LEFT SIDE, >1983	SEK406.95
3	4122363	OE. 60701586 GEAR MOUNT 116 4-CYLINDER LEFT	SEK406.95
4	43921139	OE. 60521139 GROMMET FOR RELEASE LEVER	SEK162.06
5	4123714	OE. 60523039 GEAR SHIFT BUSH AT TRANSMISSION	SEK320.65
6	41221958	OE. 60521958 TRANSMISSION MOUNT 75, 90, RZ SZ, ALFETTA, GIULIETTA, GTV (116)	SEK348.68
7	1732345	OE. 60724284 LOWER COWLING GEAR LEVER ALFETTA, GIULIETTA,	SEK208.68
8	1732346	OE. 60701783 COVER f. GEARSTICK 116	SEK1,329.23

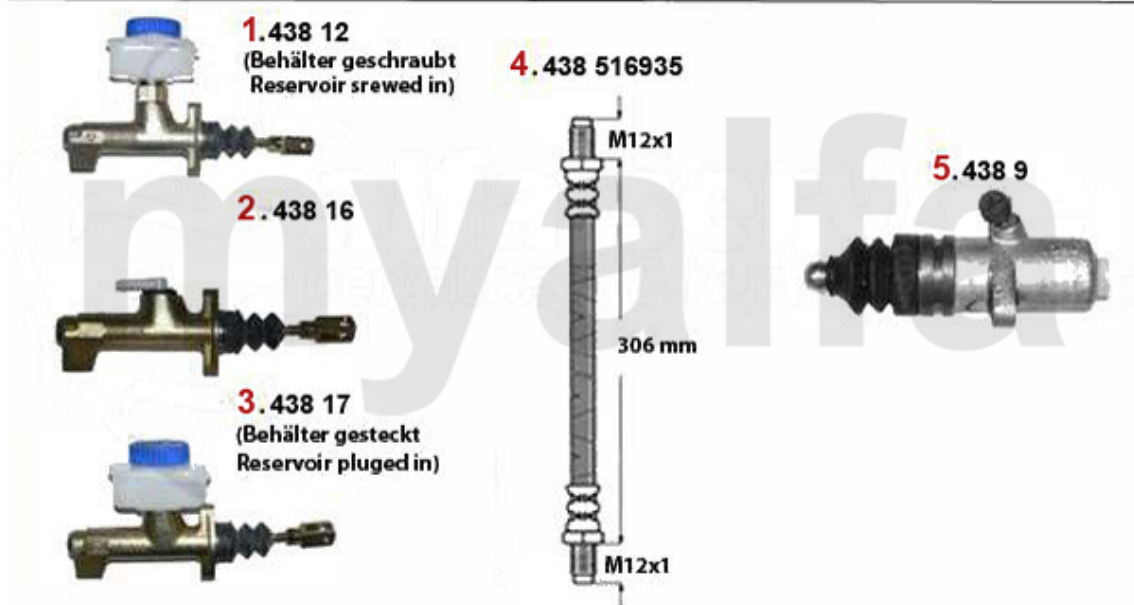
# Kupplungs-Kit/Clutch Set Giulietta (116)



<b>1</b>	<b>43142701</b>	<b>CLUTCH KIT 116 1.3 - 1.6</b>	<b>SEK4,419.05</b>
<b>2</b>	<b>4319003</b>	<b>CLUTCH KIT, ALFETTA, GIULIETTA,75, GTV (116), 1.6/1.8/2.0/IE/TS/TD 1974-1992</b>	<b>SEK4,069.26</b>
<b>3</b>	<b>43624</b>	<b>OE. 60522024 NEEDLE BEARING</b>	<b>SEK523.50</b>
<b>4</b>	<b>43510001</b>	<b>RELEASE BEARING ALFETTA/ GIULIETTA, 75, 90, GTV 2.0 116</b>	<b>SEK804.47</b>

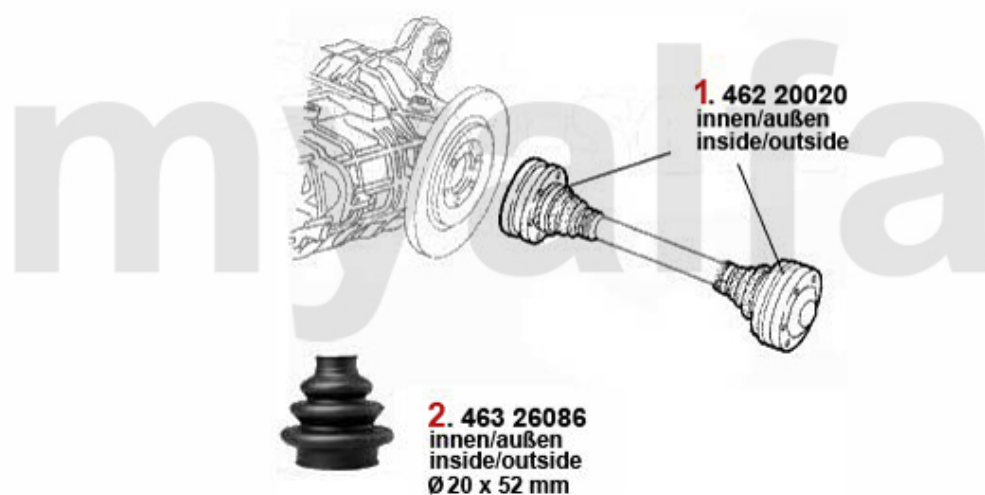


# Kupplungsbetätigung/Clutch Actuation Giulietta (116)



1	43812	OE. 60730497 CLUTCH CYLINDER WITH SCREWED RESERVOIR (116)	SEK1,163.70
2	43816	OE. 60518194 CLUTCH MASTER CYLINDER 116 1983>	SEK991.09
3	43817	OE. 60723874 CLUTCH CYLINDER WITH PLUG IN RESERVOIR (116)	SEK1,136.78
4	43816935	CLUTCH HOSE 116	SEK230.88
4	4380090	STEEL FLEX CLUTCH HOSE	SEK535.16
5	4389	OE. 60547341 CLUTCH SLEEVE CYLINDER	SEK757.85

## Seitenwelle/Side Shaft Giulietta 1.3/1.6/1.8/2.0



**1** 46220020 INNER/OUTER DRIVESHAFT JOINT 116 4-CYLINDER

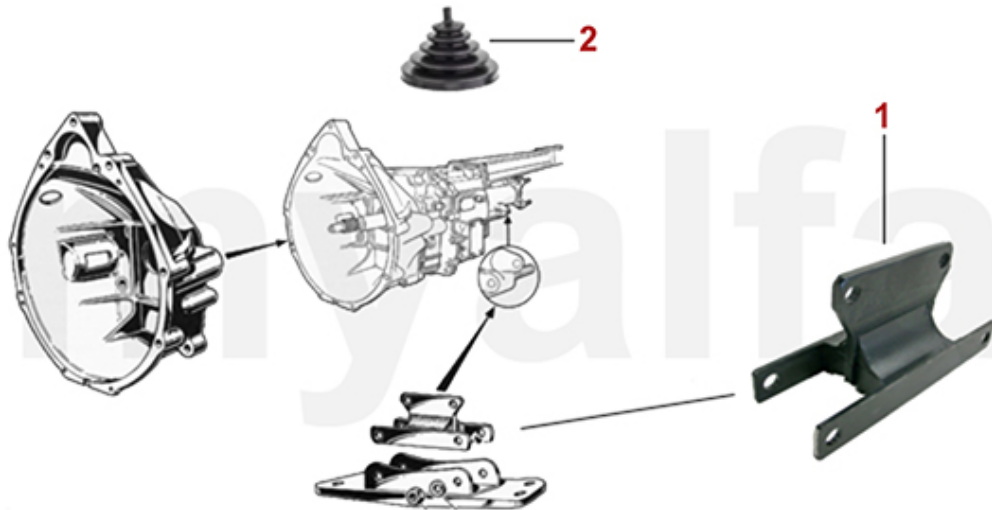
**SEK1,620.60**

**2** 46326086 OE. 60729242 SIDE SHAFT BOOT SET inside/outside 116-4Cyl.

**SEK346.88**

# Getriebe Anbauteile/Gear Mount Montreal

---



- 1** 4126410 REAR TRANSMISSION MOUNT MONTREAL
- 2** 4130080 GEARSTICK GAITER MONTREAL

SEK2,786.66  
SEK1,040.63

# Kupplung/Clutch Montreal

---



<b>1</b>	<b>4344120</b>	<b>CLUTCH DISC MONTREAL</b>	<b>SEK2,669.97</b>
<b>2</b>	<b>4332300</b>	<b>PRESSURE PLATE MONTREAL</b>	<b>SEK3,451.27</b>
<b>3</b>	<b>4350330</b>	<b>CLUTCH RELEASE BEARING HYDRAULIC FICHTEL &amp; SACHS</b>	<b>SEK921.16</b>

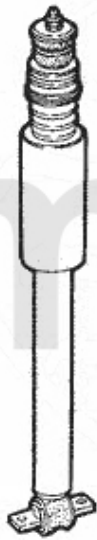
<b>0</b>	<b>4380170</b>	<b>CLUTCH SLAVE CYLINDER 105/115 BENDITALIA</b>	<b>SEK1,078.50</b>
<b>1</b>	<b>4380120</b>	<b>CLUTCH MASTER CYLINDER HANGING PEDALS</b>	<b>SEK1,119.30</b>
<b>2</b>	<b>4380140</b>	<b>CLUTCH SLAVE CYLINDER 105/115 OE-QUALITY</b>	<b>SEK804.47</b>
<b>3</b>	<b>4380210</b>	<b>CLUTCH RESERVOIRE WITH CAP HANGING PEDALS</b>	<b>SEK640.75</b>
<b>4</b>	<b>4380200</b>	<b>CAP BRAKE / CLUTCH RESERVIORE HANGING PEDALS</b>	<b>SEK138.75</b>

<b>10</b>	<b>4440020</b>	<b>UNIVERSAL JOINT MONTREAL</b>	<b>SEK675.71</b>
<b>15</b>	<b>4420060</b>	<b>FRONT DOUGHNUT COUPLING MONTREAL</b>	<b>SEK2,087.08</b>
<b>20</b>	<b>4430220</b>	<b>PROPSHAFT CENTRE SUPPORT 1968-93 HEAVY DUTY</b>	<b>SEK728.72</b>
<b>21</b>	<b>4430030</b>	<b>PROPSHAFT CENTRE SUPPORT BEARING ORIGINAL QUALITY</b>	<b>SEK185.37</b>
<b>21</b>	<b>4430010</b>	<b>PROPSHAFT CENTER SUPPORT BEARING FAG</b>	<b>SEK303.17</b>
<b>22</b>	<b>4440120</b>	<b>RETAINING CLIP PROPSHAFT CENTRE SUPPORT BEARING</b>	<b>SEK34.97</b>

<b>1</b>	<b>5441560</b>	<b>WHEEL BEARING KIT REAR 1972-93 WITH SHRINK RING</b>	<b>SEK738.01</b>
<b>1</b>	<b>5441570</b>	<b>SKF WHEEL BEARING SET 1972-93</b>	<b>SEK1,340.88</b>
<b>2</b>	<b>2330280</b>	<b>OIL SEAL WHEEL BEARING REAR 1300-2000 1972-93 52/34/10</b>	<b>SEK110.72</b>
<b>3</b>	<b>4530510</b>	<b>DIFFERENTIAL CASE BEARING 2000</b>	<b>SEK515.32</b>
<b>4</b>	<b>2331110</b>	<b>OIL SEAL DIFFERENTIAL MONTREAL</b>	<b>SEK134.03</b>
<b>5</b>	<b>4541930</b>	<b>TAB WASHER (SET 2) AXLE PIPE RIGHT</b>	<b>SEK68.82</b>
<b>6</b>	<b>4541840</b>	<b>TAB WASHER AXLE PIPE LEFT</b>	<b>SEK33.86</b>
<b>7</b>	<b>4541940</b>	<b>TAB WASHER (SET 2) AXLE PIPE LEFT</b>	<b>SEK173.72</b>
<b>8</b>	<b>2330330</b>	<b>DIFFERENTIAL OIL PAN GASKET 2000</b>	<b>SEK96.15</b>
<b>9</b>	<b>4536410</b>	<b>DIFFERENTIAL SUMP MONTREAL / GTA AUTODELTA</b>	<b>SEK6,354.47</b>
<b>10</b>	<b>2280110</b>	<b>SUMP PLUG WITH MAGNET TRANSMISSION/DIFFERENTIAL 750/101, 105/115</b>	<b>SEK122.38</b>
<b>11</b>	<b>2330060</b>	<b>SUMP PLUG WASHER SUMP / TRANSMISSION / DIFFERENTIAL</b>	<b>SEK18.59</b>
<b>12</b>	<b>2280100</b>	<b>OIL FILLER SCREW , HEXAGON SOCKET, TRANS MISSION/DIFFERENTIAL M22x1.5</b>	<b>SEK92.13</b>
<b>13</b>	<b>4536440</b>	<b>STOP RUBBER DIFFERENTIAL / BODY 105/115</b>	<b>SEK192.45</b>

<b>1</b>	<b>51921363</b>	<b>REAR SPRING UPPER RUBBER OE. 60521363</b>	<b>SEK178.43</b>
<b>2</b>	<b>51821362</b>	<b>METAL SEAT REAR SPRING LOWER / UPPER Alfetta / GT/V 4/6 / 75</b>	<b>SEK103.79</b>
<b>3</b>	<b>5164120</b>	<b>REAR SPORT SPRINGS 30 MM LOWER 75, GTV (116)</b>	<b>SEK2,447.41</b>
<b>4</b>	<b>51921364</b>	<b>REAR SPRING LOWER RUBBER OE. 60701036</b>	<b>SEK221.58</b>





**1** >1985

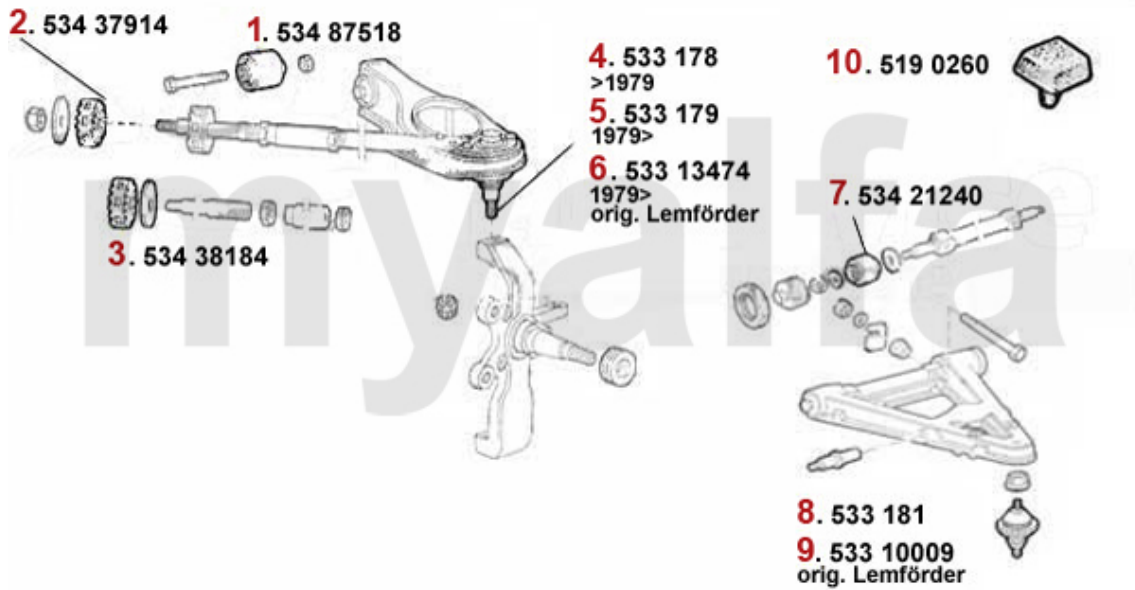


**2** >1985

myalfa

<b>1</b>	<b>51112189</b>	<b>OE. 60730502 FRONT SHOCK ABSORBER</b>	<b>SEK1,270.95</b>
<b>1</b>	<b>5122241</b>	<b>FRONT KONI YELLOW 116 UNTIL 1985</b>	<b>SEK1,504.05</b>
<b>1</b>	<b>51260465</b>	<b>SHOCK ABSORBER BILSTEIN B6 FRONT ALFETTA,GTV6 (116)</b>	<b>SEK2,308.66</b>
<b>2</b>	<b>51112191</b>	<b>OE. 60730537 REAR SHOCK ABSORBER</b>	<b>SEK1,270.95</b>
<b>2</b>	<b>5122242</b>	<b>REAR KONI YELLOW 116 UNTIL 1985</b>	<b>SEK1,492.40</b>
<b>2</b>	<b>51260475</b>	<b>SHOCK ABSORBER BILSTEIN B6 REAR TILL 1985</b>	<b>SEK2,308.66</b>

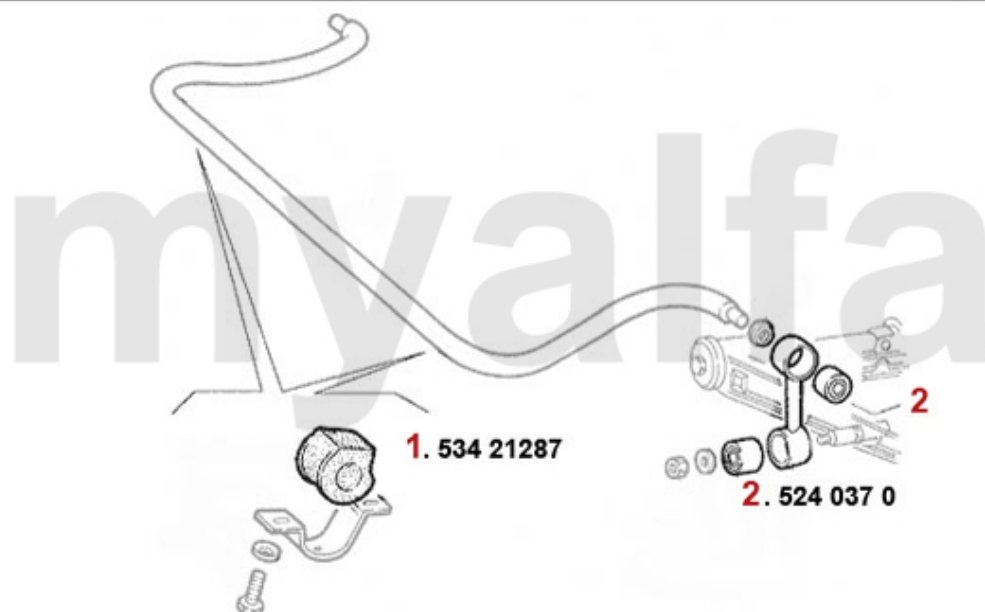
# Aufhängung/Attachment Giulietta (116) vorne/front



<b>1</b>	<b>53487518</b>	<b>OE. 60521269 FRONT WISHBONE BUSH 75,GTV6 (116) RZ/SZ</b>	<b>SEK138.75</b>
<b>2</b>	<b>53437914</b>	<b>OE. 60521263 RUBBER 75, GTV6 (116)</b>	<b>SEK52.45</b>
<b>3</b>	<b>53438184</b>	<b>OE. 60521264 RUBBER 75, GTV6</b>	<b>SEK52.45</b>
<b>4</b>	<b>533178</b>	<b>OE.60521243 UPPER BALL JOINT 116</b>	<b>SEK454.68</b>
<b>5</b>	<b>533179</b>	<b>OE. 60728728 UPPER BALL JOINT 116</b>	<b>SEK454.68</b>
<b>6</b>	<b>53313474</b>	<b>OE. 60728429 Front upper ball joint LMI</b>	<b>On request</b>
<b>7</b>	<b>53421240</b>	<b>OE. 60521240 LOWER ARM BUSH 116 FA</b>	<b>SEK485.63</b>
<b>8</b>	<b>533181</b>	<b>OE. 60521236 LOWER BALL JOINT 116</b>	<b>SEK500.19</b>
<b>9</b>	<b>53310009</b>	<b>OE. 60521236/7 LOWER BALL JOINT LEMFÖRDER</b>	<b>On request</b>
<b>10</b>	<b>5190260</b>	<b>UPPER BUMP STOP 1969-93</b>	<b>SEK103.79</b>

<b>1</b>	<b>5341970</b>	<b>SET SUPERFLEX BUSHES 116 REAR AXLE TORSION BAR</b>	<b>SEK1,387.50</b>
<b>1</b>	<b>53487492</b>	<b>OE. 60521328 REAR AXLE MOUNT 75, Alfetta, Giulietta, GTV6, RZ/SZ</b>	<b>SEK111.97</b>
<b>2</b>	<b>53421327</b>	<b>OE. 60521327 BUSH</b>	<b>SEK204.10</b>
<b>3</b>	<b>53488248</b>	<b>OE. 60700773 FRONT BUSHING DEDION TRANSAXLE, 4-CYLINDER (NOT TWIN SPARK)</b>	<b>On request</b>
<b>3</b>	<b>5340100</b>	<b>FRONT DEDION BUSH 45mm, 4-CYLINDER (NOT TWIN SPARK), STRENGTHENED, SUPERFLEX</b>	<b>SEK670.44</b>
<b>4</b>	<b>53433966</b>	<b>OE. 60533966 RING f. PANHARD/GEAR 116</b>	<b>On request</b>
<b>5</b>	<b>54122226</b>	<b>OE. 60522226 MOUNT FOR REAR AXLE FRAME RIGHT SIDE, GTV6, 75</b>	<b>SEK1,026.06</b>
<b>6</b>	<b>54122225</b>	<b>OE. 60522225 MOUNT FOR REAR AXLE FRAME LEFT SIDE, GTV6, 75</b>	<b>SEK1,026.06</b>
<b>7</b>	<b>51421323</b>	<b>OE.60521323 TORSION BAR 116</b>	<b>On request</b>

## Stabilisator vorne/Stabilizer front Giulietta (116)



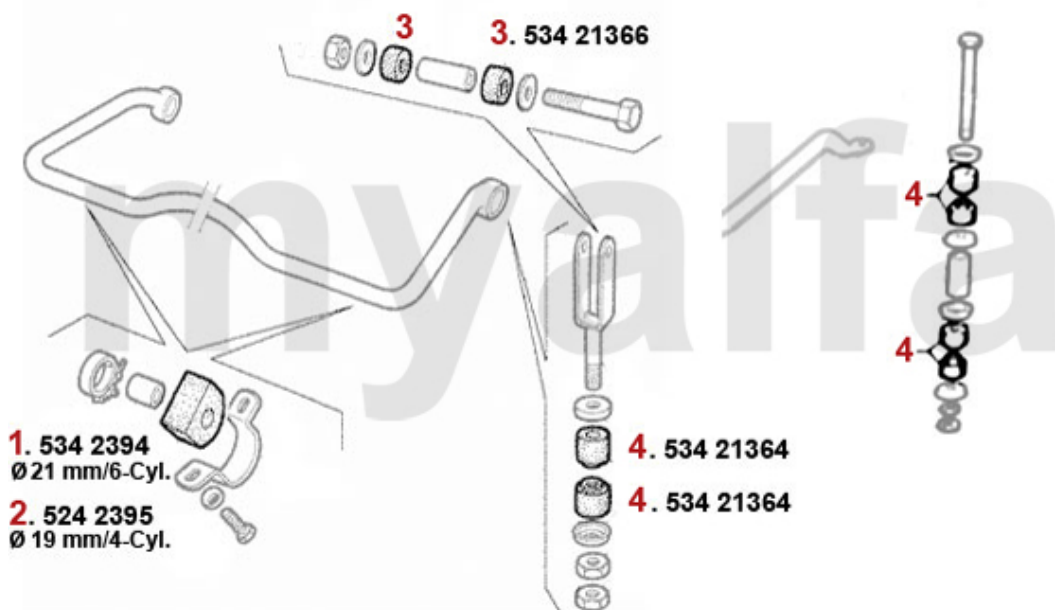
**1 53421287 ANTI ROLL BAR RUBBER FRONT SET (2) 22MM ALFETTA, GIULIETTA, GTV6, 75**

**SEK185.37**

**2 5240370 FRONT UPPER ANTI ROLL BAR DROP LINK BUSH 30 mm**

**SEK115.44**

# Stabilisator hinten/Stabilizer rear Giulietta (116)



<b>1</b>	<b>5342394</b>	<b>SET ANTI-ROLL BAR RUBBER REAR ALFETTA,GIULIETTA, 75 (21mm)</b>	<b>SEK343.96</b>
<b>2</b>	<b>5242395</b>	<b>SET ANTI-ROLL BAR RUBBER REAR 75 1.6-1.8 ie (19mm) SUPERFLEX</b>	<b>SEK309.00</b>
<b>3</b>	<b>53421366</b>	<b>OE. 60521366 STABILIZER BUSH 75 ,90, ALFETTA, GTV6 (116), GIULIETTA</b>	<b>SEK71.18</b>
<b>4</b>	<b>53421364</b>	<b>OE. 60521364 TIE ROD BUSH ALFETTA, GIULIETTA, GTV6 (116), 75</b>	<b>SEK45.51</b>

# Radlager/Wheel Bearing Giulietta (116)

vorne/front:



**1. 544 613**  
>02.1980

**2. 544 614**  
03.1980>

**5**

hinten/rear:



**3. 544 1733 2**  
rechts/right

**4. 544 1733 1**  
links/left

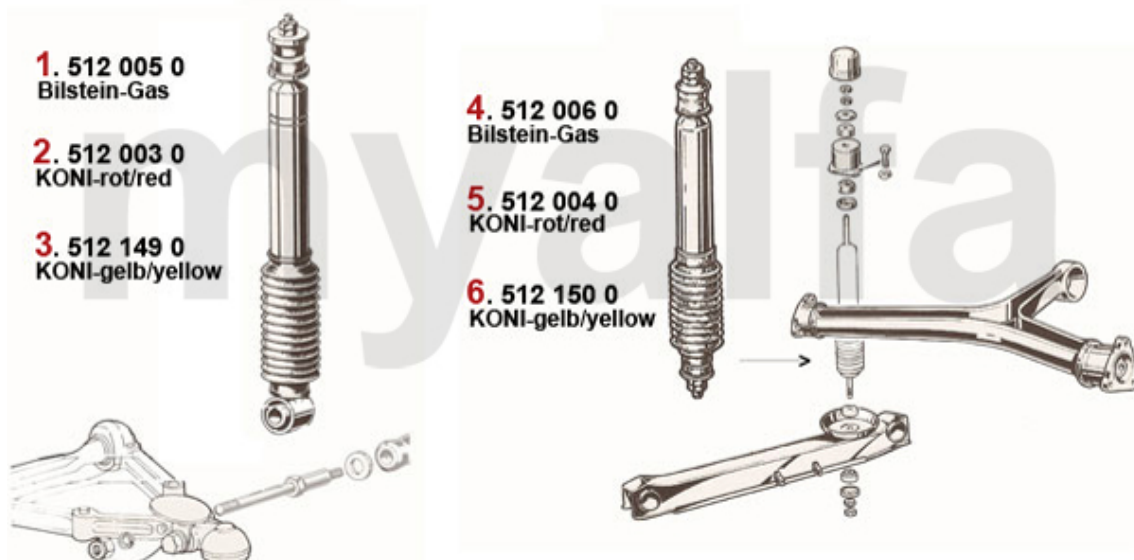
<b>1</b>	<b>544613</b>	<b>FRONT WHEEL BEARING SET ALFETTA/GT (116) 1.6 1977-2.80, 1.8/2.0/TD &gt;2.80, GIULIETTA 1.3/1.6</b>	<b>SEK670.44</b>
<b>2</b>	<b>544614</b>	<b>FRONT WHEEL BEARING SET 116 FROM 1980 ON</b>	<b>SEK612.17</b>
<b>3</b>	<b>54417332</b>	<b>WHEEL BEARING SET REAR RIGHT 116 1981-85</b>	<b>SEK1,037.71</b>
<b>4</b>	<b>54417331</b>	<b>WHEEL BEARING SET REAR LEFT 116 -&gt;(till) 1985</b>	<b>SEK1,037.71</b>
<b>5</b>	<b>5191160</b>	<b>OE. 60501960/60751855 GREASE CAP</b>	<b>SEK104.90</b>

# Federn/Springs Montreal



<b>1</b>	<b>5156410</b>	<b>SPORT FRONT SPRING EIBACH BERLINA / MONTREAL (30MM LOWER)</b>	<b>SEK1,445.78</b>
<b>2</b>	<b>5180160</b>	<b>RUBBER SEAT FRONT SPRING UPPER / LOWER</b>	<b>SEK110.72</b>
<b>3</b>	<b>5180170</b>	<b>METAL SEAT FRONT SPRING UPPER / LOWER</b>	<b>SEK110.72</b>
<b>4</b>	<b>5180180</b>	<b>FRONT SPRING SPACER ALUMINIUM 6 mm</b>	<b>SEK326.48</b>
<b>5</b>	<b>5180131</b>	<b>SPRING PAN LEFT SHALLOW 1986-93</b>	<b>SEK571.37</b>
<b>6</b>	<b>5180132</b>	<b>FRONT SPRING PAN DEEP RIGHT 1986-93</b>	<b>SEK571.37</b>
<b>7</b>	<b>5180140</b>	<b>UPPER RUBBER SEAT REAR SPRING</b>	<b>SEK115.44</b>
<b>8</b>	<b>5156420</b>	<b>REAR SPRING EIBACH MONTREAL (30MM LOWER)</b>	<b>SEK1,433.01</b>

# Stoßdämpfer/Shock Absorber Montreal

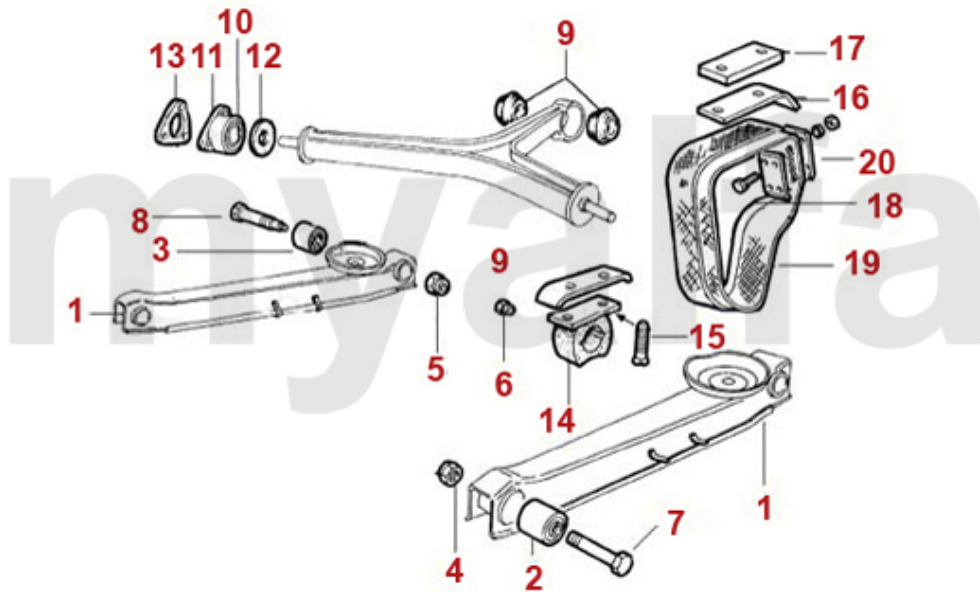


<b>1</b>	<b>5120050</b>	<b>SHOCK ABSORBER FRONT BILSTEIN GAS PRESSURE</b>	<b>SEK1,737.29</b>
<b>2</b>	<b>5120030</b>	<b>SHOCK ABSORBER FRONT KONI RED ADJUSTABLE</b>	<b>SEK1,502.94</b>
<b>3</b>	<b>5121490</b>	<b>SHOCK ABSORBER FRONT KONI YELLOW ADJUSTABLE</b>	<b>SEK1,514.60</b>
<b>4</b>	<b>5120060</b>	<b>SHOCK ABSORBER REAR BILSTEIN GAS PRESSURE</b>	<b>SEK1,737.29</b>
<b>5</b>	<b>5120040</b>	<b>SHOCK ABSORBER REAR KONI RED ADJUSTABLE</b>	<b>SEK1,502.94</b>
<b>6</b>	<b>5121500</b>	<b>SHOCK ABSORBER REAR KONI YELLOW ADJUSTABLE</b>	<b>SEK1,514.60</b>



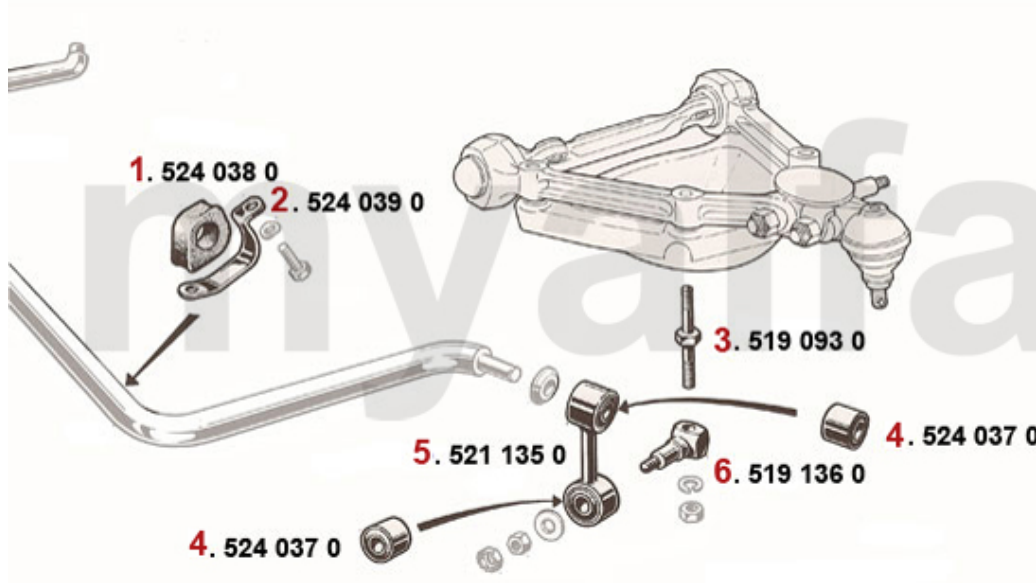
1	5340220	CASTOR ARM BALL JOINT	SEK395.30
2	5350200	TOP ARM INNER BUSH	SEK138.75
3	5340210	CASTOR ARM BUSH 23 mm HIGH	SEK135.28
4	5350460	SPACER (SET) FOR CASTOR ARM BUSH 19mm	SEK92.13
5	5330191	TOP SUSPENSION ARM LEFT WITH BUSHINGS WITHOUT CAP CASTOR ARM BUSH	SEK1,048.26
5	5330192	TOP SUSPENSION ARM RIGHT WITH BUSHINGS WITHOUT CAP CASTOR ARM BUSH	SEK1,048.26
6	5331650	SET ADJUSTABLE TOP ARMS WITH BUSHINGS WITHOUT CASTOR ARM BUSH	On request
6	5331651	ADJUSTABLE TOP ARM LEFT WITH BUSHINGS WITHOUT CAP CASTOR ARM BUSH	SEK1,778.08
6	5331652	ADJUSTABLE TOP ARM RIGHT WITH BUSHINGS WITHOUT CAP CASTOR ARM BUSH	SEK1,778.08
7	5190680	WISHBONE BUSH END CAP	SEK80.48
8	5191150	TAB WASHER BOTTOM WISHBONE BUSH	SEK57.17
9	5350240	BOTTOM WISHBONE BUSH	SEK520.04
10	5331120	WISHBONE USED	On request
11	5331170	FRONT WISHBONE ARM USED	On request
12	5331180	REAR WISHBONE ARM USED	On request
13	5190580	LOWER BUMP STOP FRONT WITH BOLT	SEK197.03
14	5521191	BUMP STOP PLATE LEFT	On request
14	5521192	BUMP STOP PLATE RIGHT	On request
15	5191210	NUT SPRING PAN SCREW	SEK23.31
16	5191220	BOLT SHOCK ABSORBER 105 / 115 / MONTREAL	SEK250.72
17	2280170	SCREW BALL JOINT HIGH STRENGTH	SEK75.76
18	5191240	SAFETY NUT BOTTOM BALL JOINT	On request
19	5330230	BOTTOM BALL JOINT	SEK413.89
20	5190260	UPPER BUMP STOP 1969-93	SEK103.79

# Aufhängung hinten /Attachment rear Montreal



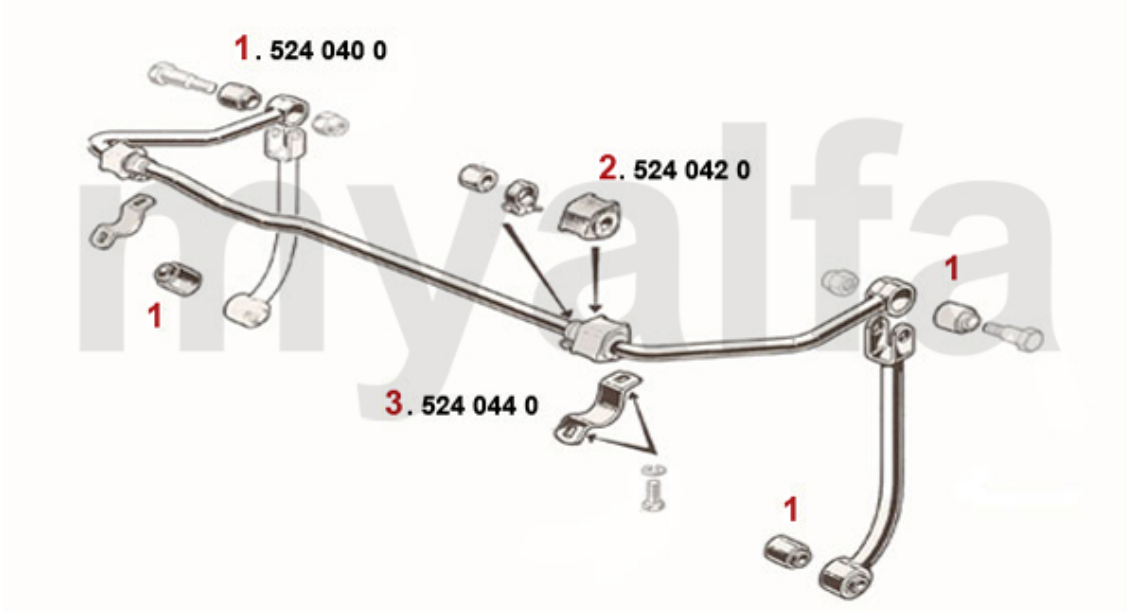
<b>1</b>	<b>5320310</b>	<b>REAR TRAILING ARM 1968-93, WITHOUT BUSHINGS</b>	<b>SEK1,375.85</b>
<b>2</b>	<b>5341090</b>	<b>FRONT TRAILING ARM BUSH 1968-93, DIAMETER 50 mm HEAVY DUTY</b>	<b>SEK299.70</b>
<b>3</b>	<b>5341100</b>	<b>REAR TRAILING ARM BUSH 1962-93, HEAVY DUTY</b>	<b>SEK299.70</b>
<b>4</b>	<b>5190650</b>	<b>SAFETY NUT FRONT SCREW TRAILING ARM</b>	<b>SEK45.51</b>
<b>5</b>	<b>5350660</b>	<b>BIG SAFETY NUT FOR TRAILING ARM BOLT</b>	<b>SEK50.09</b>
<b>6</b>	<b>5350670</b>	<b>SMALL SAFETY NUT FOR TRAILING ARM BOLT</b>	<b>SEK19.29</b>
<b>7</b>	<b>5190910</b>	<b>FRONT SCREW TRAILING ARM</b>	<b>SEK80.48</b>
<b>8</b>	<b>5350920</b>	<b>BOLT FOR REAR OF TRAILING ARM</b>	<b>SEK250.72</b>
<b>9</b>	<b>5351460</b>	<b>T-BAR CONICAL BUSH HEAVY DUTY</b>	<b>SEK92.69</b>
<b>10</b>	<b>5350551</b>	<b>T-BAR END BUSH</b>	<b>SEK348.68</b>
<b>11</b>	<b>5350552</b>	<b>T-BAR END BUSH HOUSING</b>	<b>SEK454.68</b>
<b>12</b>	<b>5350970</b>	<b>T-BAR END RUBBER WASHER RUBBER</b>	<b>SEK61.74</b>
<b>13</b>	<b>5351860</b>	<b>T-BAR SPACER 2 mm</b>	<b>On request</b>
<b>14</b>	<b>5190270</b>	<b>UPPER BUMP STOP REAR AXLE VERSION FOR 31mm REBOUND STRAP</b>	<b>SEK173.72</b>
<b>15</b>	<b>5190590</b>	<b>SCREW REAR UPPER BUMP STOP</b>	<b>SEK28.03</b>
<b>16</b>	<b>5190540</b>	<b>REBOUND STRAP GUIDE PANEL UNDER UPPER BUMP STOP REAR AXLE TWO BENDED ENDS</b>	<b>SEK150.41</b>
<b>17</b>	<b>5190870</b>	<b>Bump Stop Spacer</b>	<b>SEK476.88</b>
<b>18</b>	<b>4540361</b>	<b>OUTER REBOUND STRAP REAR 31 mm</b>	<b>SEK145.69</b>
<b>19</b>	<b>4540362</b>	<b>INNER REBOUND STRAP REAR 31 mm</b>	<b>SEK145.69</b>
<b>20</b>	<b>5190530</b>	<b>FITTING KIT FOR ONE REBOUND STRAP 31 mm</b>	<b>SEK150.41</b>

# Stabilisator vorne/Stabilizer front Montreal



<b>1</b>	<b>5240380</b>	<b>ANTI-ROLL BAR RUBBER FRONT SET (2) 105, 102 20000, 106 2600</b>	<b>SEK150.41</b>
<b>2</b>	<b>5240390</b>	<b>BRACKET FRONT ANTI ROLL BAR RUBBER</b>	<b>SEK101.98</b>
<b>3</b>	<b>5190930</b>	<b>BOLT SPRING (HIGH-STRENGTH STEEL) PAN / DROP LINK 1969-86</b>	<b>SEK314.27</b>
<b>4</b>	<b>5240370</b>	<b>FRONT UPPER ANTI ROLL BAR DROP LINK BUSH 30 mm</b>	<b>SEK115.44</b>
<b>5</b>	<b>5211350</b>	<b>FRONT ANTI ROLL BAR DROP LINK WITH BUSHINGS 1968-86</b>	<b>SEK332.31</b>
<b>6</b>	<b>5191360</b>	<b>SPRING PAN TO DROP LINK BOLT 1968-86</b>	<b>SEK278.61</b>

# Stabilisator hinten/Stabilizer rear Montreal



<b>1</b>	<b>5240400</b>	<b>REAR DROP LINK LOWER BUSH</b>	<b>SEK125.99</b>
<b>2</b>	<b>5340110</b>	<b>SET ANTI-ROLL BAR RUBBER REAR MONTREAL, GIULIA, GTV, SPIDER</b>	<b>SEK466.34</b>
<b>3</b>	<b>5240440</b>	<b>BRACKET REAR ANTI ROLL BAR REAR</b>	<b>SEK162.06</b>

<b>1</b>	<b>5440280</b>	<b>WHEEL BEARING KIT FRONT 101/105/115</b>	<b>SEK628.40</b>
<b>1</b>	<b>5440200</b>	<b>INNER WHEEL BEARING SKF 1900/750/101/105/115</b>	<b>SEK262.38</b>
<b>2</b>	<b>5441550</b>	<b>WHEEL BEARING KIT REAR 1964-72WITH TAB WASHER</b>	<b>SEK809.19</b>
<b>2</b>	<b>5441560</b>	<b>WHEEL BEARING KIT REAR 1972-93 WITH SHRINK RING</b>	<b>SEK738.01</b>
<b>2</b>	<b>5441571</b>	<b>WHEEL BEARING REAR - 1900 / 101 1600 /105/115 RACING</b>	<b>SEK1,219.61</b>

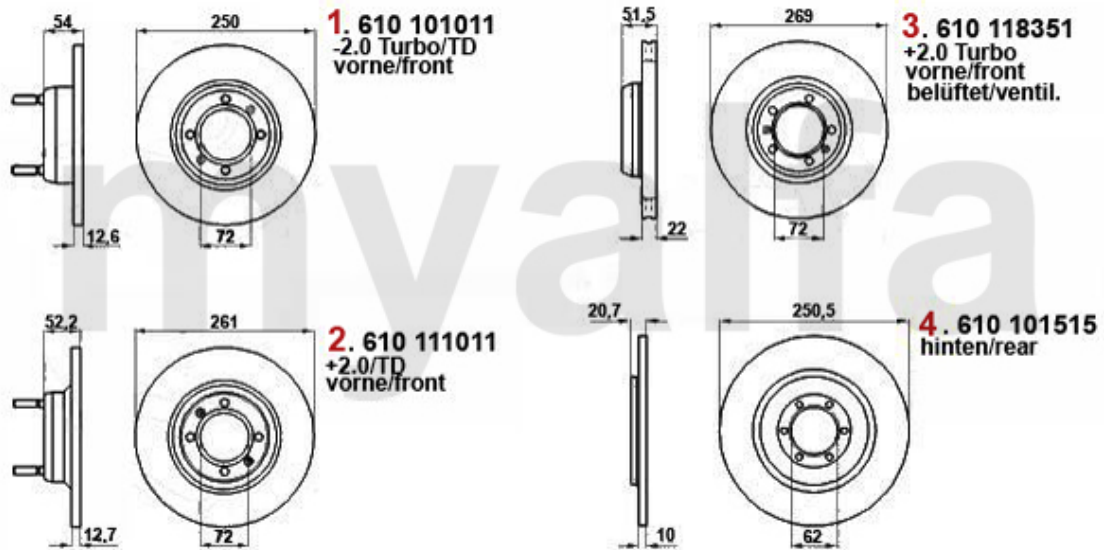
<b>1</b>	<b>5722690</b>	<b>ALUMINIUM WHEEL MONTREAL 6.5x14 ET25 MADE IN ITALY , SERIES 1</b>	<b>SEK3,602.78</b>
<b>2</b>	<b>5722670</b>	<b>ALUMINIUM WHEEL MONTREAL 7,5x14 ET10 MADE IN ITALY , SERIES 2</b>	<b>SEK3,486.23</b>
<b>3</b>	<b>1362410</b>	<b>BADGE ALUMINIUM WHEEL SILVER / BLACK BACKGROUND 48 mm</b>	<b>SEK92.13</b>
<b>4</b>	<b>1360500</b>	<b>BADGE ALUMINIUM WHEEL BLACK / SILVER BACKGROUND 48 mm</b>	<b>SEK92.13</b>
<b>5</b>	<b>1360510</b>	<b>CIRCLIP BADGE ALUMINIUM WHEEL 48 mm</b>	<b>SEK43.15</b>
<b>6</b>	<b>5740942</b>	<b>WHEEL NUT ALUMINIUM WHEEL HIGH GLOSS CHROMED, RIGHT HAND THREAD</b>	<b>SEK45.37</b>
<b>6</b>	<b>5740941</b>	<b>WHEEL NUT ALUMINIUM WHEEL HIGH GLOSS CHROMED, LEFT HAND THREAD</b>	<b>SEK45.37</b>
<b>7</b>	<b>5741710</b>	<b>LOCK SET ALUMINIUM WHEEL RIGHT HAND THREAD</b>	<b>SEK451.22</b>

# Lenkung/Steering Giulietta (116)



<b>1</b>	<b>5541300</b>	<b>AXIAL BALL JOINT ALFETTA, GIULIETTA, GTV ( 116),75,90 - FOR SPICA, RIGHT HAND THREAD</b>	<b>SEK476.88</b>
<b>2</b>	<b>55413ZF</b>	<b>AXIAL KNUCKLE GTV6 FOR ZF STEERING VERION M12/M14</b>	<b>SEK571.37</b>
<b>3</b>	<b>554180</b>	<b>OE. 60521320 TIE ROD END ALFETTA, GTV6, GIULIETTA, 75, 90, RZ, SZ</b>	<b>SEK332.31</b>
<b>4</b>	<b>5552269</b>	<b>STERRING SLEEVE SPICA (116) LEFT</b>	<b>SEK348.68</b>
<b>5</b>	<b>5552270</b>	<b>STEERING SLEEVE SPICA 116 RIGHT</b>	<b>SEK291.51</b>
<b>6</b>	<b>55522911</b>	<b>OE. 60548920 STEERING BOOT SPICA 116 WITHOUT POWER STEERING, 29/37 mm</b>	<b>SEK243.65</b>
<b>7</b>	<b>5552291</b>	<b>OE. 9943860 STEERING BOOT ZF 116 WITH POWER STEERING</b>	<b>SEK263.49</b>
<b>8</b>	<b>55511600</b>	<b>STEERING BOOT SET UNIVERSAL</b>	<b>SEK378.93</b>

# Bremsscheiben/Brakedisks Giulietta (116)

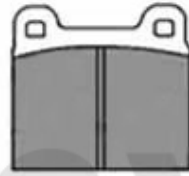


<b>1</b>	<b>61001011</b>	<b>OE.60526087 FRONT BRAKE DISC GIULIETTA 1.3/ 1.6/ 1.8/TURBO,75</b>	<b>SEK921.16</b>
		<b>1.6/1.8/2.0/TD</b>	
<b>2</b>	<b>61011011</b>	<b>OE. 60533706 FRONT BRAKE DISK</b>	<b>SEK1,107.64</b>
<b>3</b>	<b>61018351</b>	<b>OE. 60522092 FRONT BRAKE DISC 75 VENTIL.</b>	<b>SEK1,040.63</b>
<b>4</b>	<b>61001515</b>	<b>OE. 60701786 REAR BRAKE DISK 116</b>	<b>SEK815.02</b>



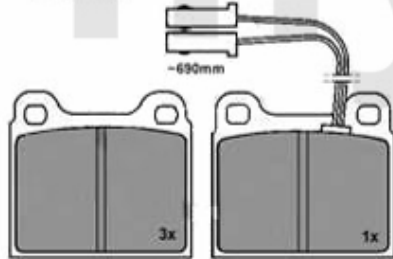
# Bremsbeläge/Brakepads Giulietta (116)

**1. 630 0040**  
vorne/front  
> 08.1982



61,8 x 56,6

**2. 20911**  
vorne/front  
09.1982 >



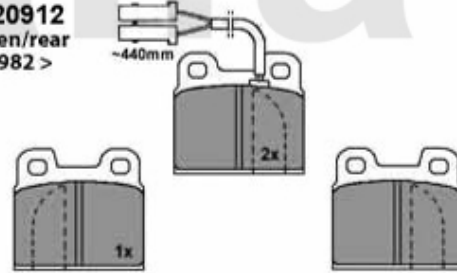
61,8 x 56,5

**3. 20641**  
hinten/rear  
> 08.1982



55,8 x 53

**4. 20912**  
hinten/rear  
09.1982 >



55,8 x 53

<b>1</b>	<b>6300040</b>	<b>BRAKE PADS 1300/1600 1966-85 FRONT</b>	<b>SEK285.69</b>
<b>2</b>	<b>20911150</b>	<b>OE. 60778257 FRONT BRAKE PADS</b>	<b>SEK1,107.64</b>
<b>3</b>	<b>20615004</b>	<b>OE.60727290 REAR BRAKE PADS ALFETTA, GIULIETTA, GTV (116) SYSTEM ATE</b>	<b>SEK581.78</b>
<b>4</b>	<b>20912150</b>	<b>OE. 60740845 REAR BRAKE PADS</b>	<b>SEK897.85</b>

## Bremsbelag Zubehör/Brakepadattachment Giulietta (116)

---

**1. 650 902**



**2. 650 968**



- |          |               |   |
|----------|---------------|---|
| <b>1</b> | <b>650902</b> | <b>SBB-Zubehör für 1300400/20034 4x stift 2x kreuzfeder</b> |
| <b>2</b> | <b>650968</b> | <b>BRAKE MOUNTING KIT 116 REAR BRAKE</b>                    |

**SEK89.77**

**SEK231.99**

# Bremszangen/Calipers Giulietta (116)



**1** 661 0291  
links/left  
vorne/front  
-2.0 Turbo

**2** 661 0292  
rechts/right  
vorne/front  
-2.0 Turbo



**7** 677 0370  
vorne/front  
links+rechts/  
left+right

**3** 661 11019  
links/left  
vorne/front  
+2.0 Turbo

**4** 661 11020  
rechts/right  
vorne/front  
+2.0 Turbo

**5** 661 11007  
links/left  
hinten/rear

**6** 661 11008  
rechts/right  
hinten/rear



**8** 662 381  
hinten/rear  
links oder rechts/  
left or right

<b>1</b>	<b>6610291</b>	<b>BRAKE CALIPER 1300-1600 1964-85 FRONT LEFT, SYSTEM ATE</b>	<b>SEK1,853.84</b>
<b>2</b>	<b>6610292</b>	<b>BRAKE CALIPER 1300-1600 1964-85 FRONT RIGHT, SYSTEM ATE</b>	<b>SEK1,853.84</b>
<b>3</b>	<b>66111019</b>	<b>BRAKE CALIPER OE. 60703991</b>	<b>SEK2,272.45</b>
<b>4</b>	<b>66111020</b>	<b>BRAKE CALIPER OE. 60734813</b>	<b>SEK2,272.45</b>
<b>5</b>	<b>66111007</b>	<b>OE. 60760085 BRAKE CALIPER REAR LEFT 116, SYSTEM: ATE</b>	<b>SEK2,553.42</b>
<b>6</b>	<b>66111008</b>	<b>OE. 60760086 BRAKE CALIPER REAR RIGHT 116, SYSTEM: ATE</b>	<b>SEK2,553.42</b>
<b>7</b>	<b>6770370</b>	<b>BRAKE CALIPER REBUILD KIT FRONT ATE</b>	<b>SEK263.49</b>
<b>8</b>	<b>662381</b>	<b>REPAIR KIT BRAKE CALIPER ATE ALFETTA, GIULIETTA, GTV6 (116), 75, 90</b>	<b>SEK542.24</b>

## BKV/Hauptbremszylinder/Brakeservo/Brake master cylinder Giuliaatta (116)



<b>1</b>	<b>67118264</b>	<b>OE: 60518264 BRAKE BOOSTER BENDIX</b>	<b>SEK3,257.16</b>
<b>2</b>	<b>4380200</b>	<b>CAP BRAKE / CLUTCH RESERVIORE HANGING PEDALS</b>	<b>SEK138.75</b>
<b>3</b>	<b>6770580</b>	<b>BRAKE FLUID RESERVOIR HANGING PEDALS</b>	<b>On request</b>
<b>4</b>	<b>6720280</b>	<b>BRAKE MASTER CYLINDER HANGING PEDALS 20,6MM</b>	<b>SEK1,467.98</b>
<b>4</b>	<b>67245043</b>	<b>BRAKE MASTER CYLINDER ATE ORIG. HANGING PEDALS 20,6MM</b>	<b>SEK2,856.59</b>

# Bremskraftregler/Brake Valve Giulietta (116)

**1. 674 265**  
am Hauptbremszylinder/  
at the brake master cyl.



**2. 674 0200**  
an der Hinterachse/  
at the rear axle



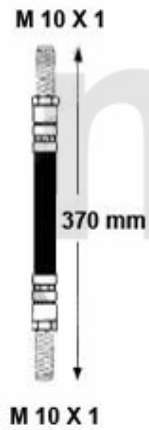
**3. 6740220**



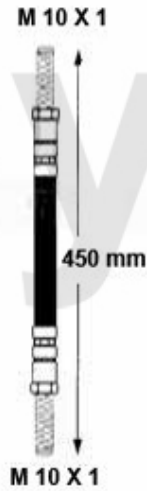
<b>1</b>	<b>674265</b>	<b>BRAKE VALVE 75,90,Giulietta,GT /V 2.0 (116)</b>	<b>SEK2,553.42</b>
<b>2</b>	<b>6740200</b>	<b>BRAKE PRESSURE REG. SYSTEM ATE</b>	<b>SEK2,740.04</b>
<b>3</b>	<b>6740220</b>	<b>BRAKE PRESSURE REG. BONALDI GIULIA, SPIDER; GT BERTONE; ALFETTA GTV4 (116) UNTIL 1984</b>	<b>SEK1,572.87</b>

# Bremsschlauch/Brake Hose Giulietta (116)

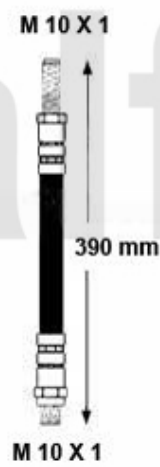
**1. 676 516850**  
vorne/front  
>04.1983



**2. 676 510084**  
vorne/front  
05.1983>



**3. 676 516851**  
hinten/rear  
>04.1983



**4. 676 516868**  
hinten/rear  
05.1983>



**1 67616850 OE. 60727319 BRAKEHOSE 116 4-CYL. >1983**

**SEK309.00**

**2 67610084 OE. 71736935 BRAKE HOSE**

**SEK277.50**

**3 67616851 OE. 60728512 BRAKEHOSE REAR 116 > 1983**

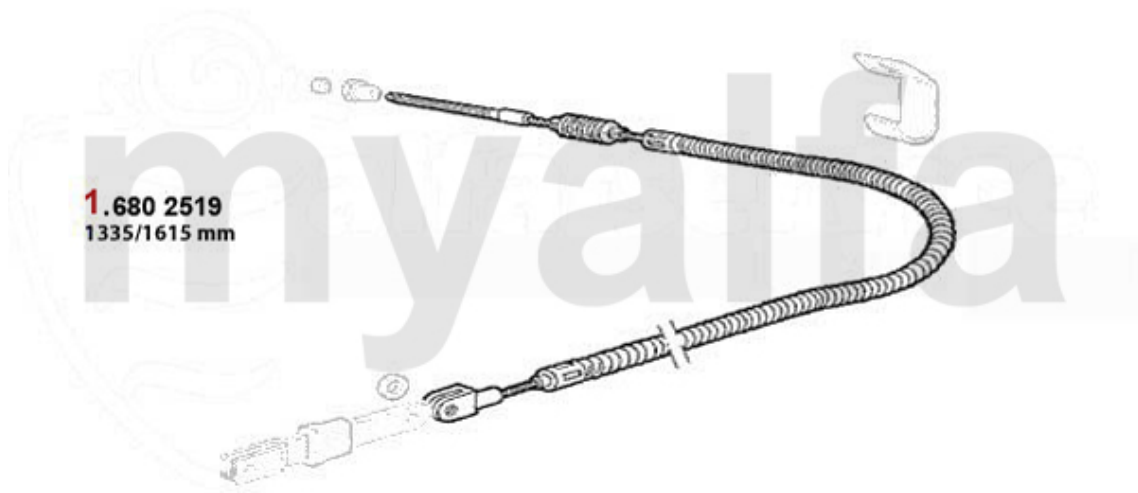
**SEK309.00**

**4 67616868 OE. 60522547 REAR BRAKE HOSE GTV6 FROM 1981, GTV (916) 1.8 TS**

**SEK263.49**

# Handbremsseil/Brake Cable Giulietta (116)

---



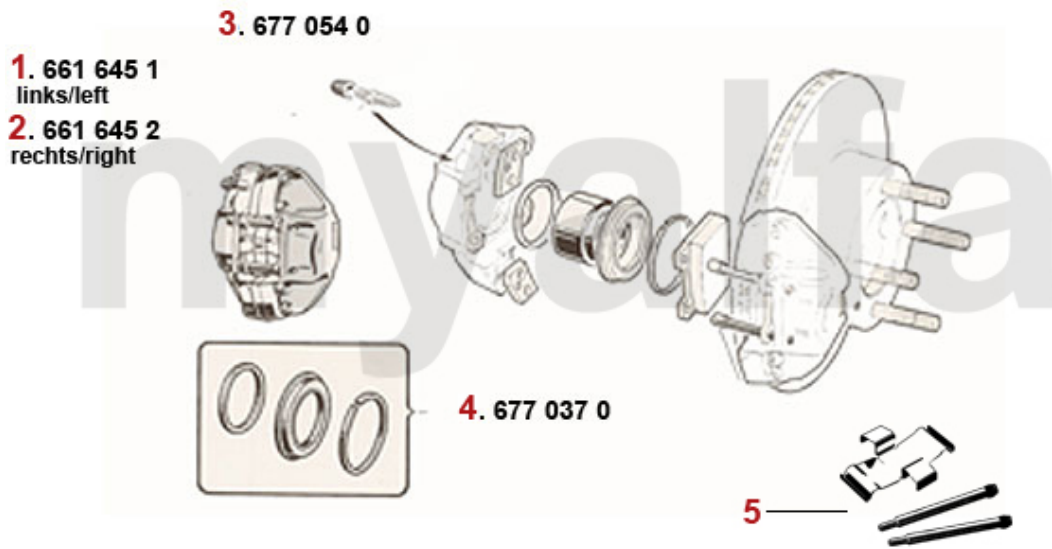
**1 6802519** OE. 60521838 BRAKE CABLE 116 1980>

**SEK555.00**

<b>1</b>	<b>6106450</b>	<b>BRAKE DISC MONTREAL FRONT ohne Radbolzen</b>	<b>SEK3,089.82</b>
<b>2</b>	<b>6106460</b>	<b>BRAKE DISC MONTREAL REAR</b>	<b>SEK4,069.26</b>

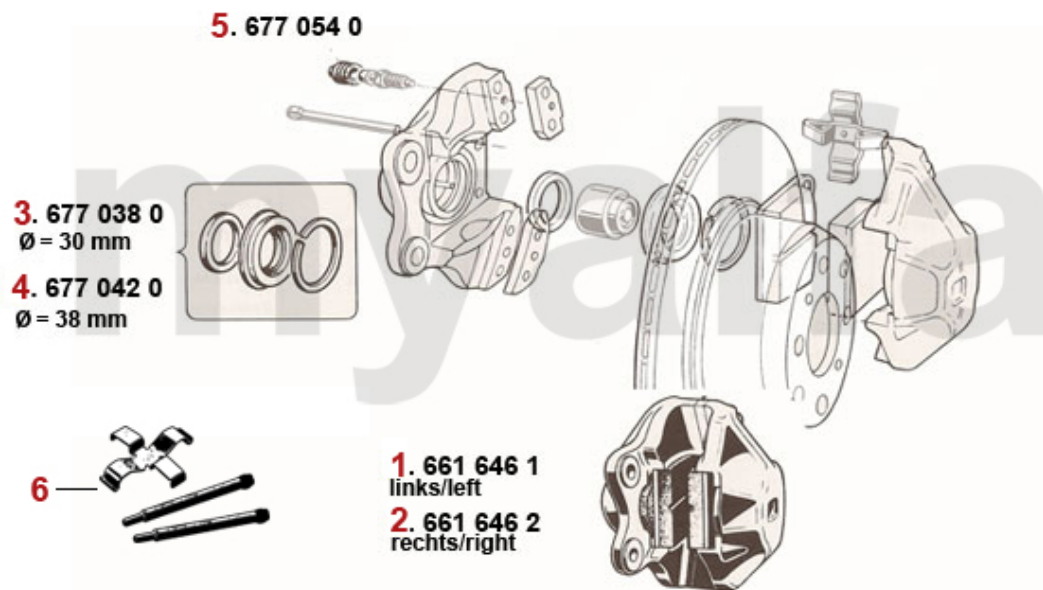


# Bremssattel/Caliper Montreal vorne/front



1	6616451	BRAKE CALIPER MONTREAL FRONT NEW LEFT	SEK2,786.66
2	6616452	BRAKE CALIPER MONTREAL FRONT NEW RIGHT	SEK2,786.66
3	6770540	CAP BLEEDER SCREW	SEK18.04
4	6770370	BRAKE CALIPER REBUILD KIT FRONT ATE	SEK263.49
5	6500100	RETAINING PIN FOR FRONT BRAKE PAD MONTREAL	SEK227.41

# Bremssattel/Caliper Montreal hinten/rear



<b>1</b>	<b>6616461</b>	<b>BRAKE CALIPER MONTREAL REAR LEFT</b>	<b>SEK2,498.06</b>
<b>2</b>	<b>6616462</b>	<b>BRAKE CALIPER MONTREAL REAR RIGHT</b>	<b>SEK2,498.06</b>
<b>3</b>	<b>6770380</b>	<b>BRAKE CALIPER REBUILD KIT 1964-66 ATE (30 mm), PREMIUM</b>	<b>SEK687.92</b>
<b>4</b>	<b>6770420</b>	<b>BRAKE CALIPER REBUILD KIT 1967-93 REAR ATE, 38mm PISTONS</b>	<b>SEK277.50</b>
<b>5</b>	<b>6770540</b>	<b>CAP BLEEDER SCREW</b>	<b>SEK18.04</b>
<b>6</b>	<b>6500200</b>	<b>RETAINING PIN SET FOR REAR BRAKE PADS MONTREAL</b>	<b>SEK227.41</b>

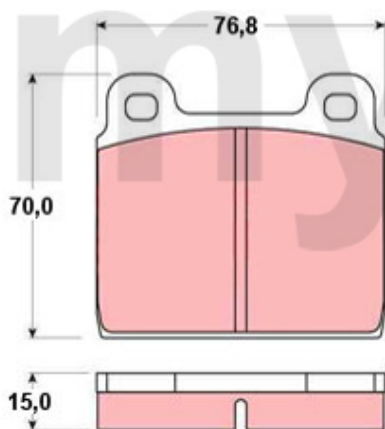
# Bremsbeläge/Brake Pads Montreal

## vorne/front:

**1. 630 005 F**  
Ferodo std.

**2. 630 098 0**  
Ferodo Racing  
DS2500

**3. 630 089 0**  
Ferodo Racing  
DS3000

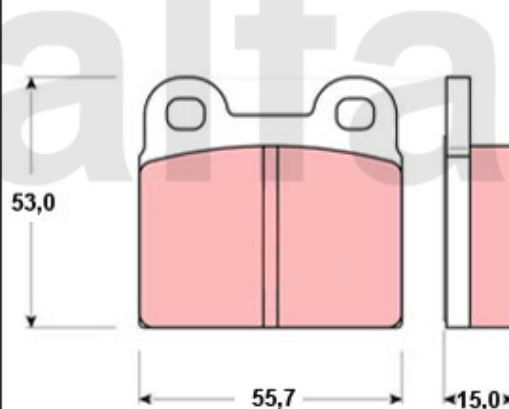


## hinten/rear:

**4. 630 006 F**  
Ferodo std.

**5. 630 099 0**  
Ferodo Racing  
DS2500

**6. 630 090 0**  
Ferodo Racing  
DS3000



<b>1</b>	<b>630005F</b>	<b>BRAKE PADS 1750/2000, 1600 1986-93 FRONT, OEM QUALITY</b>	<b>SEK496.73</b>
<b>2</b>	<b>6300980</b>	<b>BRAKE PADS 1750/2000, 1600 1986-93 FRONT FERODO RACING DS2500</b>	<b>SEK1,807.22</b>
<b>3</b>	<b>6300890</b>	<b>BRAKE PADS 1750/2000, 1600 1986-93 FRONT FERODO RACING DS3000</b>	<b>SEK1,690.67</b>
<b>4</b>	<b>630006F</b>	<b>BRAKE PADS 1300-2000 1966-93 REAR, OEM QUALITY</b>	<b>SEK425.55</b>
<b>5</b>	<b>6300990</b>	<b>BRAKE PADS 1300-2000 REAR FERODO RACING DS2500</b>	<b>SEK1,445.78</b>
<b>6</b>	<b>6300900</b>	<b>BRAKE PADS 1300-2000 REAR FERODO RACING DS3000</b>	<b>SEK1,603.26</b>

<b>1</b>	<b>6710250</b>	<b>BRAKE BOOSTER 1300-2000 SYSTEM ATE, HANGING PEDALS</b>	<b>SEK2,740.04</b>
<b>1</b>	<b>6710260</b>	<b>BRAKE BOOSTER 1300-2000 SYSTEM ATE, HANGING PEDALS BENDITALIA ORIGINAL</b>	<b>SEK4,419.05</b>
<b>2</b>	<b>4380200</b>	<b>CAP BRAKE / CLUTCH RESERVIOR HANGING PEDALS</b>	<b>SEK138.75</b>
<b>3</b>	<b>6770580</b>	<b>BRAKE FLUID RESERVOIR HANGING PEDALS</b>	<b>On request</b>
<b>4</b>	<b>6720280</b>	<b>BRAKE MASTER CYLINDER HANGING PEDALS 20,6MM</b>	<b>SEK1,467.98</b>
<b>5</b>	<b>6770340</b>	<b>REPAIR KIT BMC 1300-2000 HANGING PEDALS ATE 20 mm</b>	<b>SEK641.30</b>
<b>6</b>	<b>6770710</b>	<b>REPAIR KIT HBZ 1300-2000 HANGING PEDALS ATE VERSION 22 mm</b>	<b>SEK260.02</b>

<b>1</b>	<b>6760210</b>	<b>BRAKE HOSE FRONT 750/101/105/106/ MONTREAL</b>	<b>SEK230.88</b>
<b>2</b>	<b>6760220</b>	<b>BRAKE HOSE REAR 750/101/105/ MONTREAL</b>	<b>SEK255.30</b>
<b>3</b>	<b>6740210</b>	<b>BRAKE PRESSURE REG. TYPE ATE GIULIA, GT BERTONE, SPIDER 1. SERIES, MONTREAL</b>	<b>SEK2,622.24</b>
<b>4</b>	<b>6780010</b>	<b>SET (2) FRONT BRAKE LINE BRACKET</b>	<b>SEK496.73</b>

<b>1</b>	<b>6400100</b>	<b>SET BRAKE SHOES 4 PIECES</b>	<b>SEK460.51</b>
<b>2</b>	<b>6500820</b>	<b>HANDBRAKE ADJUSTOR</b>	<b>SEK460.51</b>
<b>3</b>	<b>6500730</b>	<b>HANDBRAKE SHOE RETAINING PIN</b>	<b>SEK54.81</b>
<b>4</b>	<b>6810810</b>	<b>COUNTERPLATE FOR RETAINING PIN</b>	<b>SEK103.79</b>
<b>5</b>	<b>6810470</b>	<b>HANDBRAKE SHOE OPERATOR LEVER</b>	<b>SEK396.41</b>
<b>6</b>	<b>6810460</b>	<b>REAR BRAKE ANCHOR PLATE</b>	<b>On request</b>
<b>7</b>	<b>6801050</b>	<b>MAIN HANDBRAKE CABLE MONTREAL</b>	<b>SEK693.75</b>
<b>8</b>	<b>6500840</b>	<b>HANDBRAKE SHOE SPRING LONG</b>	<b>SEK75.20</b>
<b>9</b>	<b>6500850</b>	<b>HANDBRAKE SHOE SPRING SHORT</b>	<b>SEK54.81</b>
<b>10</b>	<b>6800170</b>	<b>HAND BRAKE CABLE SET (2PC) REAR LEFT AND RIGHT - 105 MONTREAL</b>	<b>SEK571.37</b>

# Zündverteiler/Distributor Giuletta

**1. 815 0280**  
System: Bosch



**2. 816 0360**  
System: Bosch



**3. 817 0320**  
System: Bosch



**4. 815 0730**  
System: Bosch



**5. 815 0030**  
System: Marelli  
>1982



**6. 816 0070**  
System: Marelli  
>1982



**7. 816 0810**  
System: Marelli  
1982>



**8. 817 0050**  
System: Marelli  
>1982



**9. 817 0800**  
System: Marelli  
1982>



<b>1</b>	<b>8150280</b>	<b>POINTS 1968-89 BOSCH</b>	<b>SEK109.61</b>
<b>2</b>	<b>8160360</b>	<b>ROTOR ARM BOSCH, DISTRIBUTOR WITH POINTS, PLUGGED VERSION</b>	<b>SEK127.10</b>
<b>3</b>	<b>8170320</b>	<b>DISTRIBUTOR CAP 1974-93 BOSCH, NO CUT OUT</b>	<b>SEK138.75</b>
<b>4</b>	<b>8150730</b>	<b>CONDENSER 1974-93 BOSCH DISTRIBUTOR, SQUARE FITTING PLUG</b>	<b>SEK99.07</b>
<b>5</b>	<b>8150030</b>	<b>POINTS MARELLI</b>	<b>SEK109.61</b>
<b>6</b>	<b>8160070</b>	<b>ROTOR ARM MARELLI DISTRIBUTOR, WITH POINTS</b>	<b>SEK138.75</b>
<b>7</b>	<b>8160810</b>	<b>ROTOR ARM MARELLI DISTRIBUTOR, NO POINTS</b>	<b>SEK124.74</b>
<b>8</b>	<b>8170050</b>	<b>DISTRIBUTOR CAP MARELLI, FOR IGNITION WITH POINTS</b>	<b>SEK278.61</b>
<b>9</b>	<b>8170800</b>	<b>DISTRIBUTOR CAP MARELLI, NO POINTS</b>	<b>SEK232.55</b>

# Zündungsteile/Ignition Parts Giulietta

**1. 812 0200**  
Zündspule blau/  
coil blue



**2. 812 0420**  
Hochleistungszündspule/  
high performance coil



**3. 812 10**  
f. Transistorzündung/  
f. transistorignition  
1982>



**4. 818 11202**  
Kabelsatz/  
cable set



**5. 2 HL**  
Golden Lodge



**6. BP 6 ES**  
NGK-Standard



**7. BP 6 ET**  
NGK - 3Masseelektrode/  
3earth electrode



<b>1</b>	<b>8120200</b>	<b>IGNITION COIL CARBURETTOR STANDARD</b>	<b>SEK437.20</b>
<b>1</b>	<b>8120210</b>	<b>IGNITION COIL CARBURETTOR MODEL ORIGINAL MAGNETI MARELLI</b>	<b>SEK697.22</b>
<b>2</b>	<b>8120420</b>	<b>IGNITION COIL CARBURETTOR HEAVY DUTY WITH RESISTOR</b>	<b>SEK1,370.02</b>
<b>3</b>	<b>81210</b>	<b>ELECTRONIC IGNITION COIL 33, 75 , 90, ARNA, SUD/SPRINT, ALFETTA, GIULIETTA &gt;1986 SYSTEM: MARELLI</b>	<b>On request</b>
<b>4</b>	<b>81811202</b>	<b>IGNITION WIRE SET ALFETTA/GTV (116)</b>	<b>SEK443.03</b>
<b>5</b>	<b>BA2HL</b>	<b>SPARK PLUG "myalfa" 2HL</b>	<b>SEK103.79</b>
<b>6</b>	<b>BP6ES</b>	<b>OE. 71736278 SPARK PLUG NGK</b>	<b>SEK57.17</b>
<b>7</b>	<b>BP6ET</b>	<b>SPARK PLUG NGK WITH 3 ELECTRODES 155 2.0 16V TURBO</b>	<b>SEK89.77</b>



<b>1</b>	<b>8220170</b>	<b>STARTER MOTOR 9 TEETH 1971-89</b>	<b>On request</b>
<b>2</b>	<b>82210680</b>	<b>STARTER ALFETTA,GIULIETTA GTV(116)</b>	<b>SEK2,320.32</b>
<b>3</b>	<b>82214960</b>	<b>STARTER MOTOR 9 TOOTH</b>	<b>SEK2,203.63</b>
<b>3</b>	<b>82214965</b>	<b>STARTER MOTOR, 9 TEETH, MADE IN GERMANY</b>	<b>SEK3,252.99</b>
<b>4</b>	<b>8210180</b>	<b>ALTERNATOR 65A EXTERNAL REGULATOR</b>	<b>SEK2,553.42</b>
<b>6</b>	<b>8230700</b>	<b>EXTERNAL REGULATOR ALTERNATOR 12V</b>	<b>SEK378.93</b>
<b>6</b>	<b>8230710</b>	<b>EXTERNAL REGULATOR ALTERNATOR 12V HELLA</b>	<b>SEK460.51</b>

<b>1</b>	<b>8111027</b>	<b>IGNITION LOCK ALFETTA/GIULIETTA/SUD SPRINT 1983&gt;, 33 (905)</b>	<b>On request</b>
<b>1</b>	<b>8110680</b>	<b>IGNITION SWITCH SPIDER 1979-93, 4 CABLES, ALFETTA, GIULIETTA UNTIL 1983, GTV6 (116)</b>	<b>SEK2,087.08</b>

<b>1</b>	<b>8146450</b>	<b>SET IGNITION MODULES MONTREAL WITH IGNITION COIL</b>	<b>On request</b>
<b>2</b>	<b>8156450</b>	<b>POINTS MARELLI 4 SPRINGS SHORT CABLE</b>	<b>SEK1,270.95</b>
<b>3</b>	<b>816100</b>	<b>ROTOR MONTREAL / FERRARI 308</b>	<b>SEK1,270.95</b>
<b>3</b>	<b>8171440</b>	<b>DISTRIBUTOR CAP MONTREAL / FERRARI 308</b>	<b>SEK2,670.11</b>
<b>4</b>	<b>8186450</b>	<b>HT LEADS MONTREAL</b>	<b>SEK1,980.93</b>
<b>5</b>	<b>BA2HL</b>	<b>SPARK PLUG "myalfa" 2HL</b>	<b>SEK103.79</b>
<b>5</b>	<b>BP7ES</b>	<b>OE. 60512929 SPARK PLUG NGK BP7ES</b>	<b>SEK57.17</b>
<b>6</b>	<b>8186430</b>	<b>SET HAT LEAD CLAMPS MONTREAL</b>	<b>SEK921.16</b>
<b>7</b>	<b>8151500</b>	<b>CONDENSER MARELLI MONTREAL / GTA / FERRARI</b>	<b>SEK215.76</b>

<b>1</b>	<b>8226450</b>	<b>STARTER MOTOR MONTREAL EXCHANGE</b>	<b>On request</b>
<b>1</b>	<b>8216450</b>	<b>HIGH PERFORMANCE STARTER MOTOR - MONTREAL</b>	<b>SEK5,001.94</b>
<b>2</b>	<b>8216460</b>	<b>ALTERNATOR MONTREAL EXCHANGE 65A STD</b>	<b>SEK4,535.60</b>
<b>2</b>	<b>8216470</b>	<b>ALTERNATOR MONTREAL NEW 65A STANDARD</b>	<b>SEK6,704.26</b>
<b>2</b>	<b>8216480</b>	<b>ALTERNATOR MONTREAL NEW 100A STRENGTHENED</b>	<b>SEK8,033.49</b>
<b>3</b>	<b>8230700</b>	<b>EXTERNAL REGULATOR ALTERNATOR 12V</b>	<b>SEK378.93</b>
<b>3</b>	<b>8230710</b>	<b>EXTERNAL REGULATOR ALTERNATOR 12V HELLA</b>	<b>SEK460.51</b>

# Schalter/Switches Montreal



1	8414600	ELECTRIC WINDOW ROCKER SWITCH MONTREAL	SEK804.47
2	8413801	INTERIOR LIGHT ROCKER SWITCH MONTREAL	SEK687.92
3	8413400	HORN ROCKER SWITCH MONTREAL	SEK687.92
4	8410510	DASHLIGHT ROCKER SWITCH SPIDER 1970-80 / MONTREAL	SEK687.92
5	8410580	HEATER FAN ROCKER SWITCH SPIDER 1970-80, MONTREAL	SEK804.47
6	8410540	WINDSCREEN WIPER ROCKER SWITCH SPIDER 1970-80, MONTREAL	SEK804.47
7	8416450	COURTESY LIGHT SWITCH MONTREAL	SEK95.60
8	8436450	COLUMN SWITCH MONTREAL	SEK2,786.66
9	8110080	IGNITION SWITCH RIGHT SIDE OF STEERING WHEEL	SEK1,620.74

<b>1</b>	<b>8620470</b>	<b>WATER TEMPERATUR SENDER</b>	<b>SEK231.99</b>
<b>2</b>	<b>8610190</b>	<b>OIL PRESSURE SENDER JAEGER / VEGLIA SERIES 2</b>	<b>SEK558.47</b>
<b>2</b>	<b>8610180</b>	<b>OIL PRESSURE SENDER JAEGER 1st SERIES (SHORT VERSION)</b>	<b>SEK641.30</b>
<b>3</b>	<b>8410390</b>	<b>OIL PRESSURE SWITCH</b>	<b>SEK180.79</b>
<b>4</b>	<b>8640150</b>	<b>REVERS LIGHT SWITCH SCREW-IN</b>	<b>SEK185.37</b>
<b>5</b>	<b>8420750</b>	<b>INDICATOR/FLASHER PLASTIC RELAY 4 PIN</b>	<b>SEK230.88</b>
<b>6</b>	<b>2631050</b>	<b>THERMO SWITCH MONTREAL 88°/79° C</b>	<b>SEK285.69</b>

# Installationsmaterial/Installation Material Montreal



<b>1</b>	<b>8430960</b>	<b>HAZARD UPGRADE KIT 12V HELLA</b>	<b>SEK1,853.84</b>
<b>2</b>	<b>8701120</b>	<b>HORN SET LOW / HIGH</b>	<b>SEK532.80</b>
<b>3</b>	<b>87046010</b>	<b>ANTENNA STAINLESS STEEL</b>	<b>SEK208.68</b>
<b>4</b>	<b>9822250</b>	<b>BATTERY LIFE SAFER</b>	<b>SEK448.86</b>
<b>5</b>	<b>8421540</b>	<b>POWER RELAY</b>	<b>SEK185.37</b>
<b>6</b>	<b>1190190</b>	<b>ELECTRIC WINDOW MOTOR SPIDER 1990-93 / MONTREAL / ALFETTA GTV</b>	<b>SEK1,504.05</b>

<b>1</b>	<b>1570080</b>	<b>INDICATOR LAMP FOR INDICATOR (ONE ARROW)</b>	<b>SEK256.55</b>
<b>2</b>	<b>1570010</b>	<b>INDICATOR LAMP FOR INDICATOR</b>	<b>SEK256.55</b>
<b>3</b>	<b>1570020</b>	<b>INDICATOR LAMP RED, BRAKE</b>	<b>SEK256.55</b>
<b>4</b>	<b>1570030</b>	<b>INICATOR LAMP GREEN FOR DIMMED HEADLIGHTS</b>	<b>SEK256.55</b>
<b>5</b>	<b>1570040</b>	<b>INDICATOR LIGHT BLUE FOR FULL BEAM</b>	<b>SEK256.55</b>
<b>6</b>	<b>1570050</b>	<b>INDICATOR LAMP YELLOW FOR FOG LAMP</b>	<b>SEK256.55</b>
<b>7</b>	<b>1570060</b>	<b>CLAMP FOR DASHBOARD LAMP</b>	<b>SEK17.48</b>





# Car Cover Giulietta (116)

---

**1. 911 108 0**  
blau/blue

**2. 911 274 0**  
rot/red



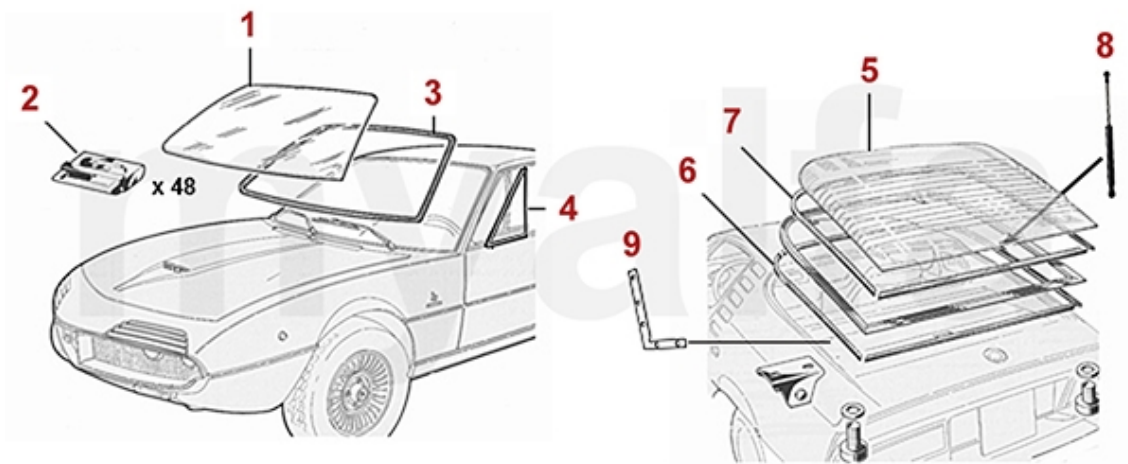
**1 9111080** CAR COVER ECOLINE GIULIA, RED

**SEK687.92**

<b>1</b>	<b>9822260</b>	<b>BATTERY CHARGER AB-4 ABSAAR</b>	<b>SEK553.89</b>
<b>2</b>	<b>9822250</b>	<b>BATTERY LIFE SAFER</b>	<b>SEK448.86</b>
<b>3</b>	<b>8701130</b>	<b>BATTERY SWITCH / MASS POLE CLAMP</b>	<b>SEK92.13</b>



# Verglasung/Glazing Montreal



<b>1</b>	<b>1346460</b>	<b>FRONT SCREEN MONTREAL GREEN</b>	<b>SEK6,984.12</b>
<b>2</b>	<b>1630010</b>	<b>FRONT SCREEN CHROME TRIM RETAINING CLIP MONTREAL</b>	<b>SEK69.93</b>
<b>3</b>	<b>1616470</b>	<b>FRONT SCREEN RUBBER SEAL MONTREAL</b>	<b>SEK5,001.94</b>
<b>4</b>	<b>1610501</b>	<b>SEAL FOR QUARTERLIGHT MONTREAL LEFT SIDE</b>	<b>SEK3,672.85</b>
<b>4</b>	<b>1610502</b>	<b>SEAL FOR QUARTERLIGHT MONTREAL RIGHT SIDE</b>	<b>SEK3,672.85</b>
<b>5</b>	<b>1346470</b>	<b>REAR SCREEN MONTREAL GREEN</b>	<b>SEK11,426.48</b>
<b>6</b>	<b>1613080</b>	<b>REAR SCREEN SEAL MONTREAL AT THE BODY</b>	<b>SEK3,719.47</b>
<b>7</b>	<b>1613070</b>	<b>REAR SCREEN SEAL MONTREAL AT THE REAR SCREEN</b>	<b>SEK3,019.89</b>
<b>8</b>	<b>1186450</b>	<b>SET REAR HATCH STRUTS MONTREAL</b>	<b>SEK2,040.46</b>
<b>9</b>	<b>1330110</b>	<b>MOUNTING BRACKETS SET FOR REAR WINDOW FRAME MONTREAL</b>	<b>SEK347.43</b>

# Außenspiegel/Mirror Montreal

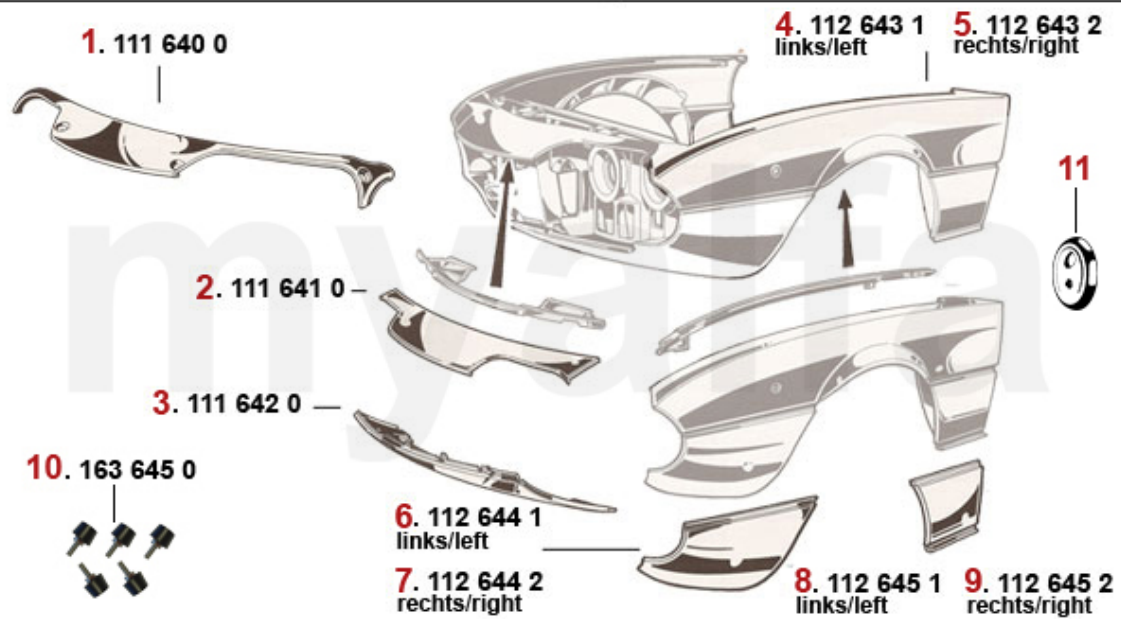
---



<b>1</b>	<b>1400170</b>	<b>DOOR MIRROR CHROME ROUND ALFA BADGE INCLUDING RUBBER PAD</b>	<b>SEK571.37</b>
<b>2</b>	<b>1631700</b>	<b>RUBBER PAD ROUND DOOR MIRROR</b>	<b>SEK73.40</b>

<b>1</b>	<b>1516410</b>	<b>OUTER HEADLIGHT H1 CARELLO WITHOUT PARKING LIGHT (136mm) MONTREAL / ZAGATO JUNIOR</b>	<b>SEK884.95</b>
<b>1</b>	<b>1516400</b>	<b>OUTER HEADLIGHT H1 CARELLO WITH PARKING LIGHT (136mm) MONTREAL/ZAGATO JUNIOR</b>	<b>SEK884.95</b>
<b>2</b>	<b>1516420</b>	<b>INNER HEADLIGHT H1 CARELLO (136mm) 102/106 SPRINT, BERLINA, 106 SPIDER / MONTREAL / ZAGATO JUNIOR</b>	<b>SEK815.02</b>
<b>3</b>	<b>1590101</b>	<b>VACUUM CAN BONALDI HEADLIGHT COVER MONTREAL LEFT NEW</b>	<b>SEK4,547.25</b>
<b>3</b>	<b>1590102</b>	<b>VACUUM CAN BONALDI HEADLIGHT COVER MONTREAL RIGHT NEW</b>	<b>SEK4,547.25</b>
<b>4</b>	<b>1546420</b>	<b>INDICATOR MONTREAL WHITE FRONT</b>	<b>On request</b>
<b>5</b>	<b>1550510</b>	<b>INDICATOR REPEATOR GT BERTONE / SPIDER ROUND</b>	<b>SEK220.34</b>
<b>6</b>	<b>1570140</b>	<b>LIGHT UNDER BONNET/TRUNK/ GLOVE BOX</b>	<b>SEK197.03</b>
<b>7</b>	<b>1586450</b>	<b>SET REAR LIGHT LENSES MONTREAL MONTREAL CARELLO 6 PIECES</b>	<b>SEK5,771.58</b>
<b>8</b>	<b>1596460</b>	<b>REAR LIGHT GLASS SEALS (SET) MONTREAL</b>	<b>SEK577.20</b>
<b>9</b>	<b>1596450</b>	<b>SET REAR LIGHT SEALS MONTREAL</b>	<b>SEK849.98</b>

# Karosserieteile vorne/Body Parts front Montreal

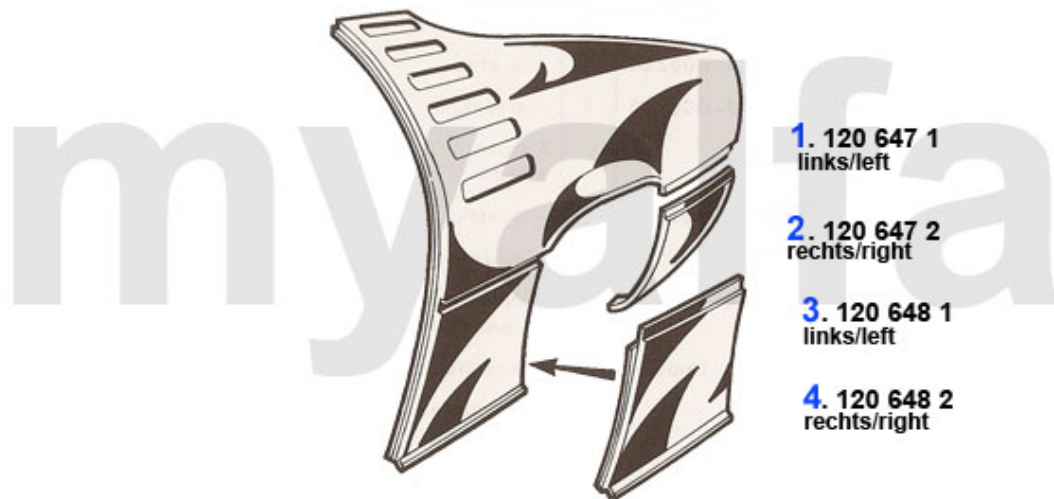


<b>1</b>	<b>1116400</b>	<b>INNER SUPPORT PANEL FOR FRONT PANEL MONTREAL</b>	<b>On request</b>
<b>2</b>	<b>1116410</b>	<b>UPPER FRONT PANEL MONTREAL</b>	<b>SEK8,919.68</b>
<b>3</b>	<b>1116420</b>	<b>FRONT VALANCE MONTREAL</b>	<b>SEK9,909.53</b>
<b>4</b>	<b>1126431</b>	<b>UPPER FRONT WING SECTION MONTREAL LEFT</b>	<b>On request</b>
<b>5</b>	<b>1126432</b>	<b>UPPER FRONT WING SECTION MONTREAL RIGHT</b>	<b>On request</b>
<b>6</b>	<b>1126441</b>	<b>LOWER FRONT WING SECTION MONTREAL FRONT LEFT</b>	<b>SEK5,001.94</b>
<b>7</b>	<b>1126442</b>	<b>LOWER FRONT WING SECTION MONTREAL FRONT RIGHT</b>	<b>SEK5,001.94</b>
<b>8</b>	<b>1126451</b>	<b>LOWER FRONT WING SECTION MONTREAL REAR LEFT</b>	<b>SEK4,419.05</b>
<b>9</b>	<b>1126452</b>	<b>LOWER FRONT WING SECTION MONTREAL REAR RIGHT</b>	<b>SEK4,419.05</b>
<b>10</b>	<b>1636450</b>	<b>SET BONNET STOPS MONTREAL 4 PIECES</b>	<b>SEK1,504.05</b>
<b>11</b>	<b>1631450</b>	<b>OVAL GROMMET FOR HARNESS MONTREAL, 2 HOLES</b>	<b>SEK134.03</b>



<b>1</b>	<b>1166461</b>	<b>OUTER SILL MONTREAL LEFT</b>	<b>SEK4,616.07</b>
<b>1</b>	<b>1166462</b>	<b>OUTER SILL MONTREAL RIGHT</b>	<b>SEK4,616.07</b>
<b>2</b>	<b>1166451</b>	<b>MIDDLE SILL MONTREAL LEFT</b>	<b>SEK3,019.89</b>
<b>2</b>	<b>1166452</b>	<b>MIDDLE SILL MONTREAL RIGHT</b>	<b>SEK3,019.89</b>
<b>3</b>	<b>1166471</b>	<b>TOP SILL PANEL MONTREAL LEFT</b>	<b>SEK2,670.11</b>
<b>3</b>	<b>1166472</b>	<b>TOP SILL PANEL MONTREAL RIGHT</b>	<b>SEK2,670.11</b>
<b>4</b>	<b>1196441</b>	<b>LEFT OUTER SILL TRIM MONTREAL</b>	<b>SEK5,072.01</b>
<b>4</b>	<b>1196442</b>	<b>RIGHT OUTER SILL TRIM MONTREAL</b>	<b>SEK5,072.01</b>

## Karosserieteile hinten/Body Parts rear Montreal



1. 120 647 1  
links/left

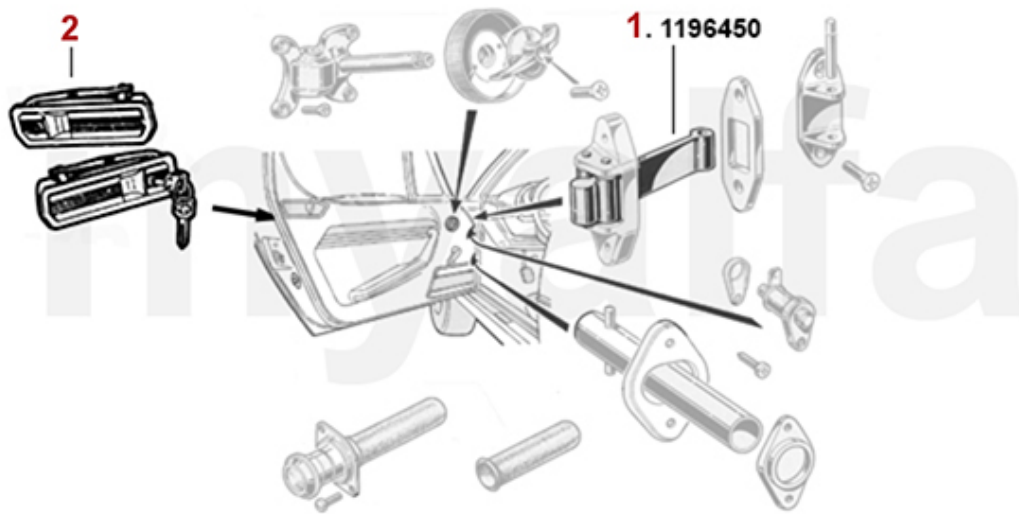
2. 120 647 2  
rechts/right

3. 120 648 1  
links/left

4. 120 648 2  
rechts/right

<b>1</b>	<b>1206471</b>	<b>REPAIR PANEL REAR WING MONTREAL REAR LEFT</b>	<b>SEK5,001.94</b>
<b>2</b>	<b>1206472</b>	<b>REPAIR PANEL REAR WING REAR RIGHT</b>	<b>SEK5,001.94</b>
<b>3</b>	<b>1206481</b>	<b>REPAIR PANEL REAR WING FRONT LEFT</b>	<b>SEK4,535.60</b>
<b>4</b>	<b>1206482</b>	<b>REPAIR PANEL REAR WING FRONT RIGHT</b>	<b>SEK4,535.60</b>

# Türmechanik/Door Mechanical Montreal

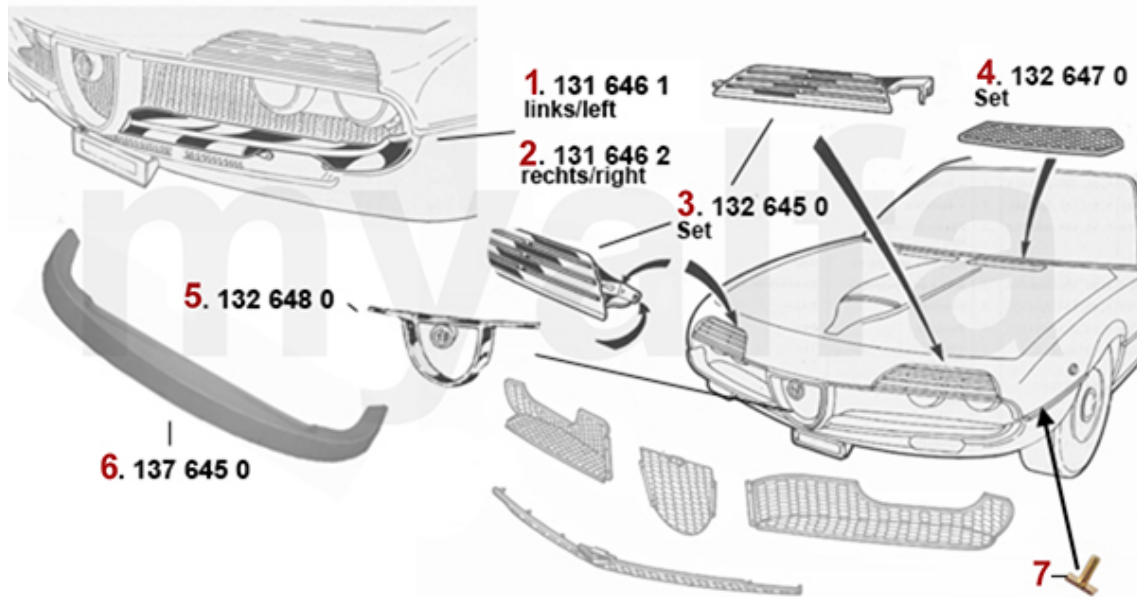


- 1 1196450 DOOR RETAINING STRAP MONTREAL (SET FOR 1 SIDE)**
- 2 1176470 SET (2) OUTER DOOR HANDELS 116 GT/GTV, MONTREAL**

**SEK1,048.26**

**SEK4,185.81**

# Stoßstangen/Bumpers Montreal



1	1316461	BUMPER MONTREAL FRONT LEFT	On request
2	1316462	BUMPER MONTREAL FRONT RIGHT	On request
3	1326450	SET HEADLIGHT COVERS MONTREAL	SEK11,543.03
4	1326470	SET SCUTTLE GRIDS MONTREAL	SEK2,903.21
5	1326480	CENTER HEART MONTREAL	On request
6	1376450	FRONT SPOILER MONTREAL	SEK2,670.11
7	1330030	CLIP FOR TRIM MONTREAL	SEK22.20

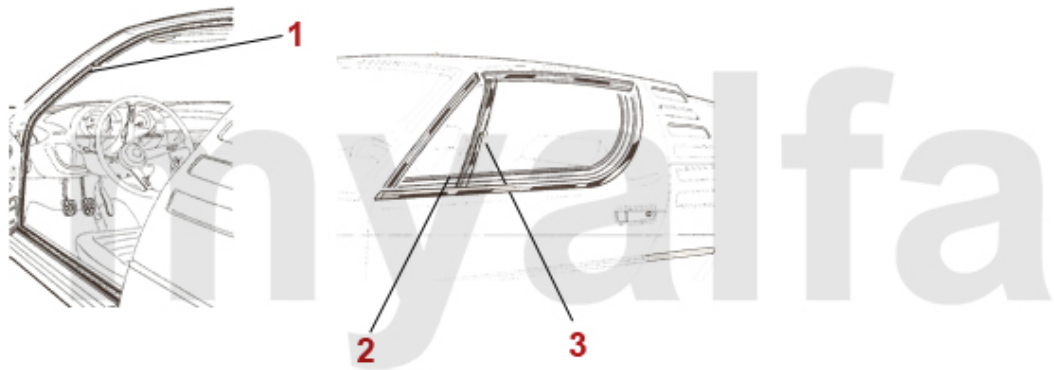
# Schriftzüge-Embleme/Lettering Montreal



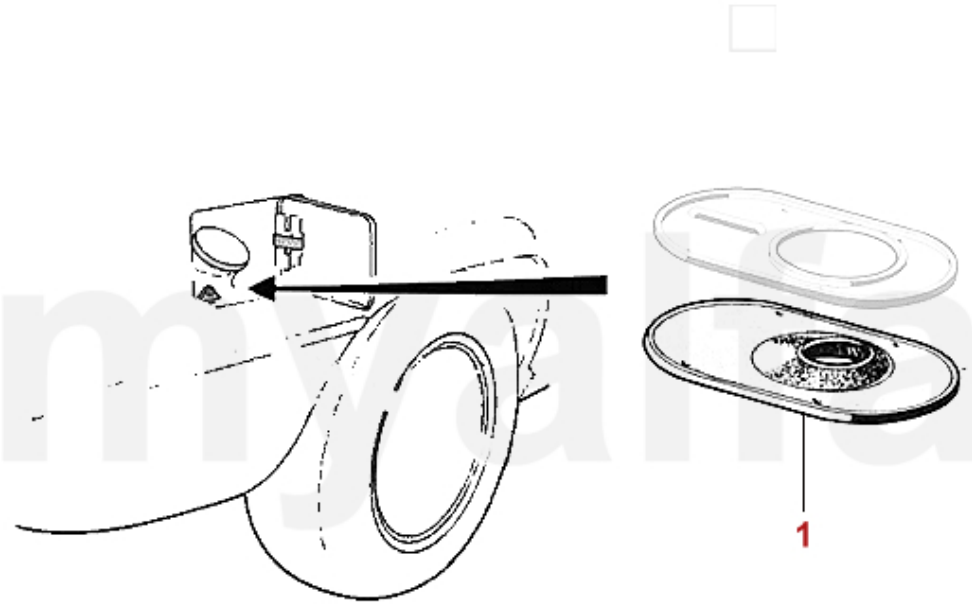
<b>1</b>	<b>1360010</b>	<b>BADGE 55 mm Alfa Romeo</b>	<b>SEK349.23</b>
<b>2</b>	<b>1360020</b>	<b>BADGE 55 mm Alfa Romeo MILANO</b>	<b>SEK349.23</b>
<b>3</b>	<b>1360030</b>	<b>BADGE 55mm "ALFA ROMEO MILANO" ENAMEL</b>	<b>SEK465.78</b>
<b>4</b>	<b>1360500</b>	<b>BADGE ALUMINIUM WHEEL BLACK / SILVER BACKGROUND 48 mm</b>	<b>SEK92.13</b>
<b>5</b>	<b>1360510</b>	<b>CIRCLIP BADGE ALUMINIUM WHEEL 48 mm</b>	<b>SEK43.15</b>
<b>6</b>	<b>1366450</b>	<b>BASE FOR REAR BADGE MONTREAL</b>	<b>SEK991.09</b>
<b>7</b>	<b>1366460</b>	<b>BADGE "b" BERTONE MONTREAL INCLUDING RUBBER PAD</b>	<b>SEK991.09</b>
<b>8</b>	<b>1366470</b>	<b>BADGE "Torino" MONTREAL ENAMEL</b>	<b>SEK687.92</b>
<b>9</b>	<b>1360300</b>	<b>SCRIPT "ALFA ROMEO" MONTREAL</b>	<b>SEK2,670.11</b>

# Dichtgummis/Rubber Gaskets Montreal

---



<b>1</b>	<b>1616500</b>	<b>SET DOOR SEALS MONTREAL</b>	<b>SEK1,865.49</b>
<b>2</b>	<b>1616510</b>	<b>SET HORIZONTAL WEATHER STRIPS MONTREAL</b>	<b>SEK961.95</b>
<b>3</b>	<b>1616450</b>	<b>SET DOOR GLASS CHANNEL SEALS MONTREAL</b>	<b>SEK926.99</b>



**1** 1630050 OE. 105645225201 GROMMET MONTREAL

**SEK1,040.63**

# Dämmmatten/Insulating Mats

---



1. 970 235 0  
50X100 cm

1 9702350 INSULATING MAT ORIGINAL MATERIAL 50 x 100 cm

SEK292.62



<b>1</b>	<b>1756460</b>	<b>HEADLINING MONTREAL CREME</b>	<b>SEK3,789.40</b>
<b>1</b>	<b>1756470</b>	<b>HEADLINING MONTREAL BLACK</b>	<b>SEK3,789.40</b>

# Teppichsatz/Carpet Set Montreal

**1. 171 641 1**  
Velours schwarz/  
velours black

**2. 171 641 2**  
Velours grau/  
velours grey

**3. 171 641 3**  
Velours hellbeige/  
velours pale beige

**4. 171 641 4**  
Velours dunkelblau/  
Velours dark blue

**5. 171 642 5**  
Feinvelours bordeaux/  
softvelours bordeaux

**6.173 645 0**  
Leder schwarz/  
leather black



**7. 176 646 0**  
Leder schwarz/  
leather black

<b>1</b>	<b>1716411</b>	<b>CARPET SET MONTREAL VELOURS BLACK</b>	<b>SEK6,820.95</b>
<b>2</b>	<b>1716412</b>	<b>CARPET SET MONTREAL VELOURS GRAY</b>	<b>SEK5,246.83</b>
<b>3</b>	<b>1716413</b>	<b>CARPET SET MONTREAL VELOURS LIGHT BEIGE</b>	<b>SEK5,934.75</b>
<b>4</b>	<b>1716414</b>	<b>CARPET SET MONTREAL VELOURS DARK BLUE</b>	<b>SEK6,237.92</b>
<b>5</b>	<b>1716425</b>	<b>CARPET SET MONTREAL VELOURS BORDEAUX</b>	<b>SEK5,934.75</b>
<b>6</b>	<b>1736450</b>	<b>GEAR LEVER GAITER MONTREAL LEATHER BLACK</b>	<b>SEK698.47</b>
<b>6</b>	<b>1736460</b>	<b>GEAR LEVER GAITER MONTREAL LEATHER BEIGE</b>	<b>SEK698.47</b>
<b>7</b>	<b>1766460</b>	<b>HANDBRAKE GAITER MONTREAL LEATHER BLACK</b>	<b>SEK915.33</b>
<b>7</b>	<b>1766470</b>	<b>HANDBRAKE LEVER GAITER MONTREAL SCAY BEIGE</b>	<b>SEK448.86</b>



**1 1722780 SET FLOOR MATS MONTREAL VELOURS BLACK**

**SEK1,107.64**

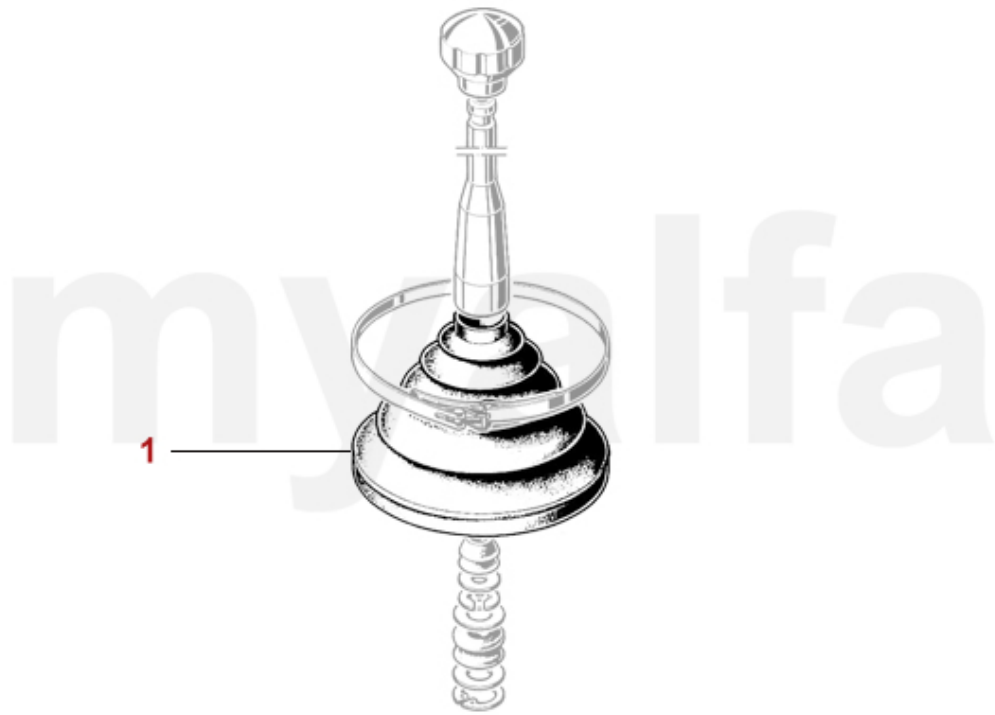
<b>1</b>	<b>1716430</b>	<b>BOOT CARPET SET MONTREAL VELOURS BLACK</b>	<b>SEK3,952.57</b>
<b>1</b>	<b>1716450</b>	<b>TRUNK CARPET SET MONTREAL VELOURS BLUE 129</b>	<b>SEK5,001.94</b>
<b>1</b>	<b>1716460</b>	<b>TRUNK CARPET SET MONTREAL VELOURS BORDEAUX 158</b>	<b>SEK3,719.47</b>
<b>1</b>	<b>1716470</b>	<b>TRUNK CARPET SET MONTREAL VELOURS GREY 126</b>	<b>SEK3,719.47</b>
<b>1</b>	<b>1716480</b>	<b>TRUNK CARPET SET MONTREAL VELOURS BRIGHT BEIGE 118</b>	<b>SEK4,139.19</b>

# Sitzbezüge/Seat Cover Montreal



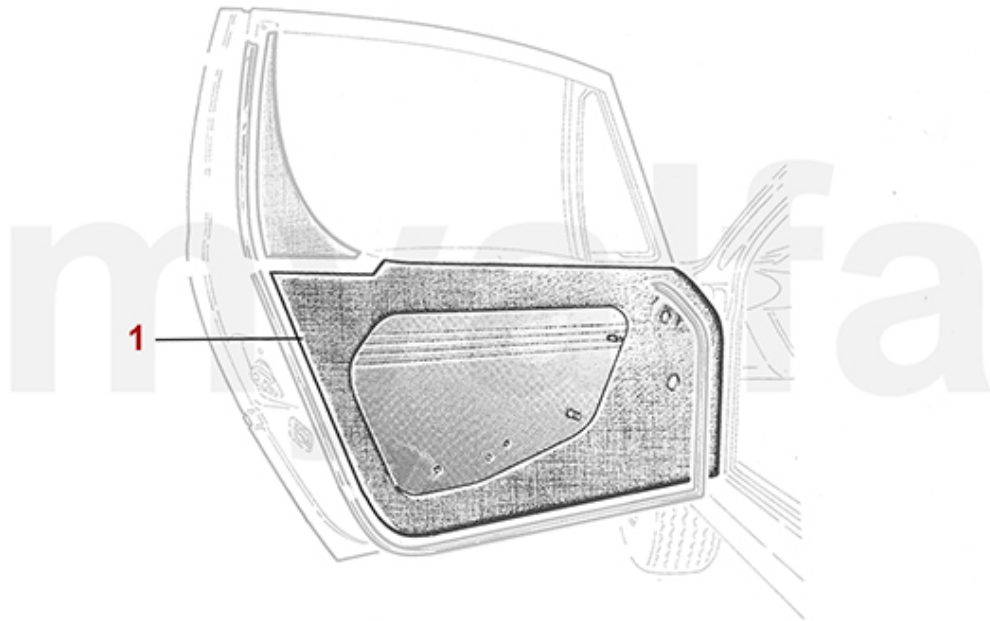
<b>1</b>	<b>1706410</b>	<b>SEAT COVER MONTREAL FRONT VINYL SKAI BLACK</b>	<b>SEK4,197.47</b>
<b>1</b>	<b>1706420</b>	<b>SEAT COVER MONTREAL FRONT VINYL SKAI BLACK / CLOTH GRAY</b>	<b>SEK4,768.84</b>
<b>1</b>	<b>1706430</b>	<b>SEAT COVER MONTREAL FRONT LEATHER BLACK</b>	<b>SEK20,509.33</b>
<b>1</b>	<b>1706440</b>	<b>SEAT COVER MONTREAL FRONT VINYL SKAI BLACK / CLOTH BLACK</b>	<b>SEK4,768.84</b>
<b>1</b>	<b>1706450</b>	<b>FRONT SEAT COVER MONTREAL LEATHER/FABRIC BLUE 889+666</b>	<b>SEK22,095.11</b>
<b>1</b>	<b>1706460</b>	<b>FRONT SEAT COVER MONTREAL LEATHER/FABRIC BLACK</b>	<b>SEK8,103.56</b>
<b>2</b>	<b>1760110</b>	<b>SET COVERS FOR HEADREST ADJUSTMENT MONTREAL</b>	<b>SEK921.16</b>
<b>3</b>	<b>1760100</b>	<b>SET SEATBELT GUIDES MONTREAL</b>	<b>SEK523.50</b>

<b>1</b>	<b>1781430</b>	<b>SET HORN BUTTON SURROUND 53 mm, HELLEBORE, 3 PIECES</b>	<b>SEK173.72</b>
<b>2</b>	<b>1731390</b>	<b>HEATER FASCIA PANEL CHROME GT BERTONE</b>	<b>On request</b>
<b>3</b>	<b>1736410</b>	<b>UPPER FASCIA CONSOLE MONTREAL</b>	<b>SEK2,553.42</b>
<b>4</b>	<b>1736420</b>	<b>FACIA GEAR CONSOLE MONTREAL</b>	<b>SEK3,019.89</b>
<b>5</b>	<b>1736430</b>	<b>RADIO BLANKING PLATE MONTREAL</b>	<b>On request</b>
<b>6</b>	<b>1781050</b>	<b>SHIFT KNOB WOOD MAHOGANY RED WITH BIG BADGE</b>	<b>On request</b>
<b>7</b>	<b>1780630</b>	<b>SHIFT KNOB WOOD WITH SMALL BADGE</b>	<b>On request</b>
<b>8</b>	<b>1780140</b>	<b>GEAR-SHIFT KNOB - wood ERGONOMIC without emblem</b>	<b>On request</b>



**1 4130080 GEARSTICK GAITER MONTREAL**

**SEK1,040.63**



**1 1745460 SET INNER DOOR TRIM PANELS MONTREAL BLACK**

**SEK16,894.89**



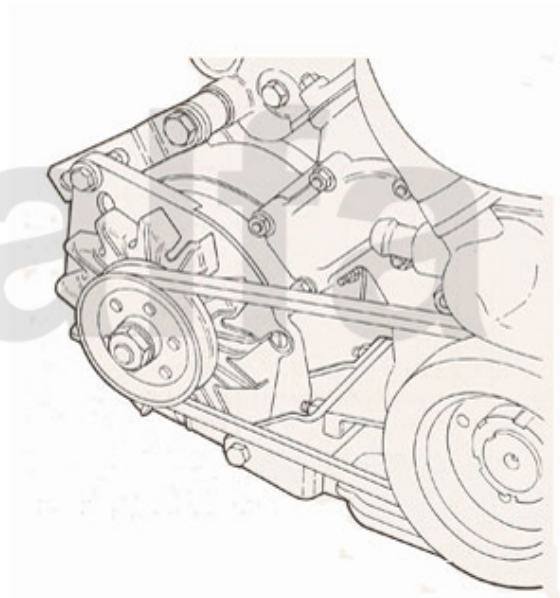
<b>1</b>	<b>9300580</b>	<b>BODY VIN PLATE (BLANK)</b>	<b>SEK250.72</b>
<b>1</b>	<b>9300590</b>	<b>BODY TYPE PLATE MONTREAL, 105.64</b>	<b>SEK250.72</b>

# Keilriemen/V-Belts Montreal

---

**1. 270 10775**  
Generator  
9,5/10 x 775

**2. 270 10990**  
Servolenkung/  
Powersteering  
9,5/10 x 990



**1 27010775 V-BELT ALTERNATOR MONTREAL, 9,5 x 775**

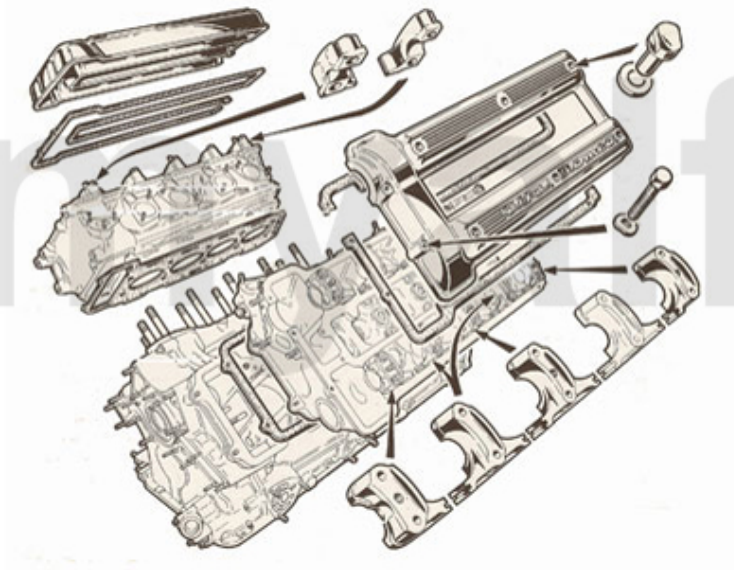
**SEK181.90**

**2 27010990 V-BELT POWER STEERING MONTREAL, 9,5 x 990**

**SEK170.25**

# Kopfdichtsatz/Head Set Montreal

---

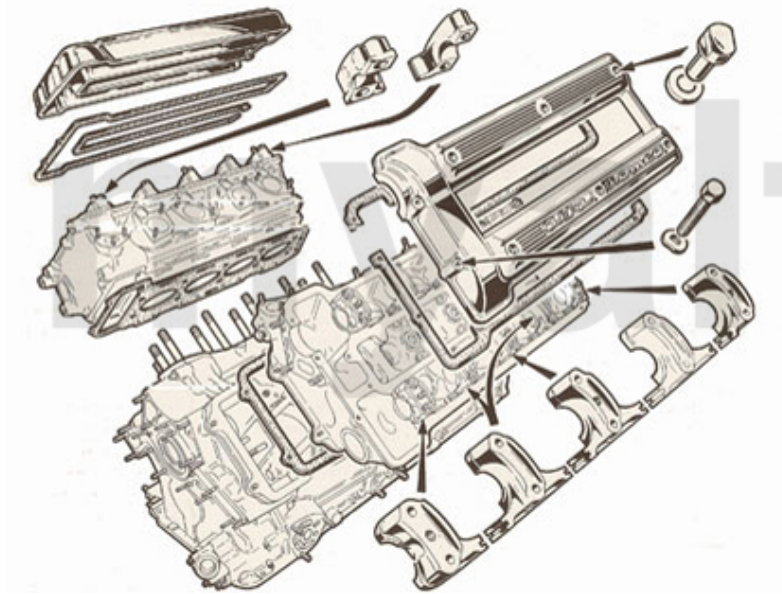


**1 2326450 HEAD OVERHAUL SET MONTREAL WITH HEAD GASKETS**

*On request*

# Motordichtsatz/Full Set Montreal

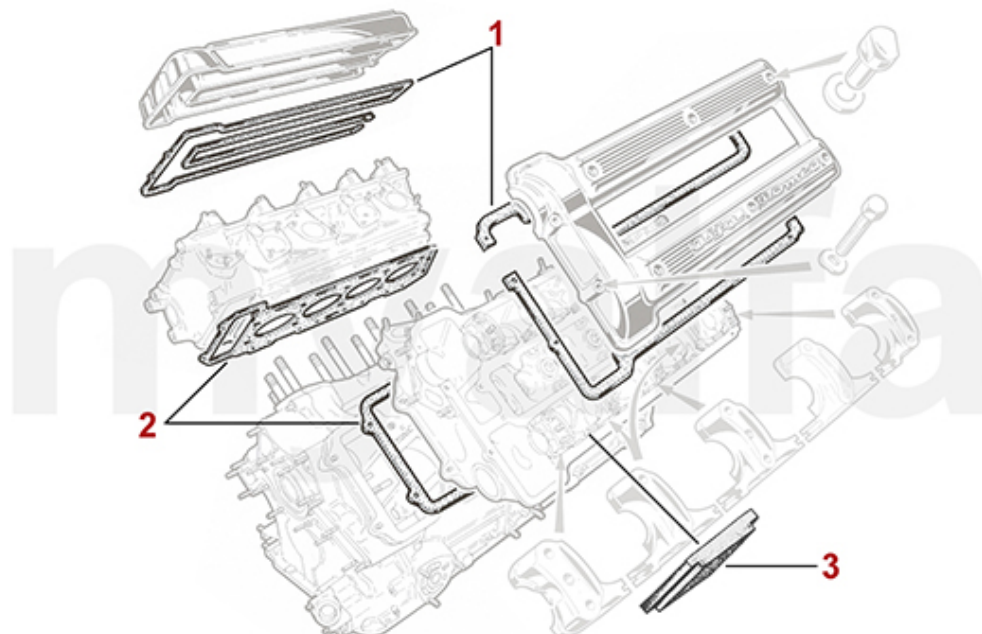
---



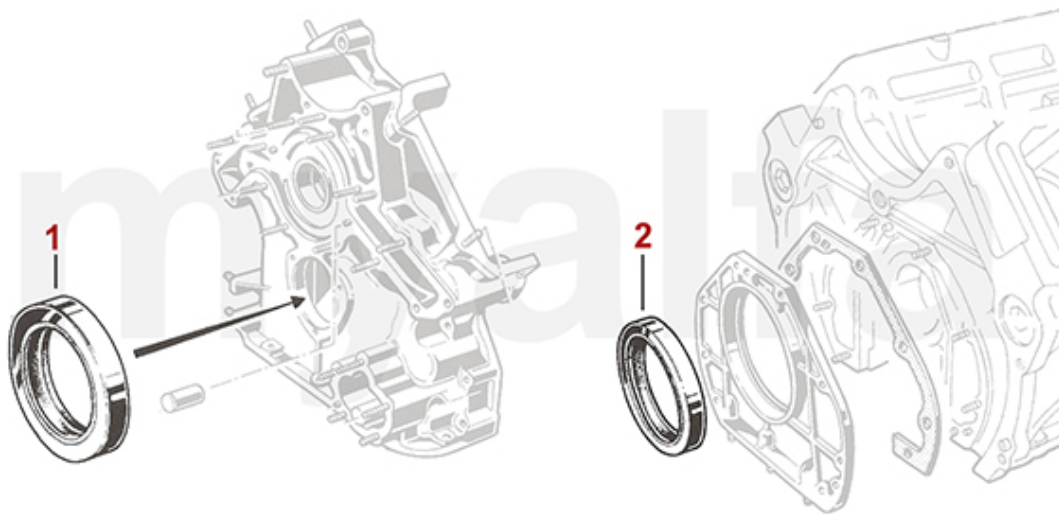
**1. 231 646 0**  
ohne Simmeringe/  
without oil seals

**1 2316460 FULL ENGINE GASKET SET MONTREAL WITH HEAD GASKETS LESS OIL SEALS**

**SEK3,252.99**



<b>1</b>	<b>2336410</b>	<b>SET CAM COVER GASKETS MONTREAL</b>	<b>SEK846.51</b>
<b>2</b>	<b>2336450</b>	<b>SET HEAD GASKETS MONTREAL ELRING</b>	<b>SEK4,069.26</b>
<b>3</b>	<b>2336400</b>	<b>RUBBER BLOCK MONTREAL VALVE COVER GASKET</b>	<b>SEK103.79</b>



**1 2336460 OIL SEAL CRANK SHAFT MONTREAL FRONT**

**SEK320.65**

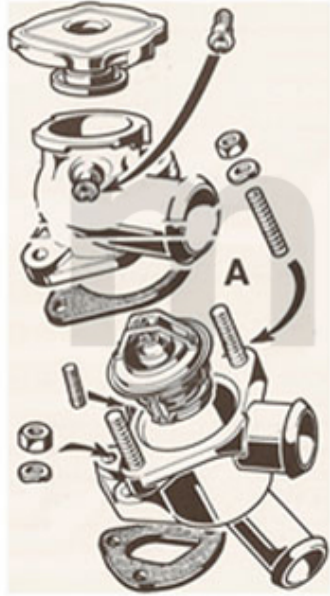
**2 2330230 OIL SEAL CRANK SHAFT REAR 82/105/12 750/101/105/115/116 UP TO 1989, OEM QUALITY**

**SEK383.64**



# Thermostat Montreal

---



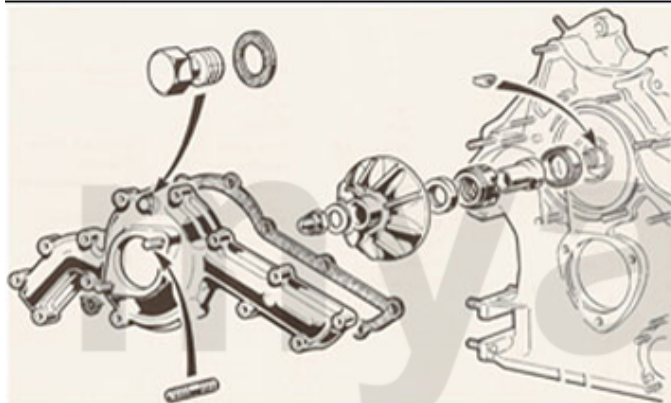
1. 263 005 0

1 2630050 THERMOSTAT MONTREAL 79 DEGREE CELSIUS

SEK465.23



# Wasserpumpe/Waterpump Montreal



1. 262 645 0



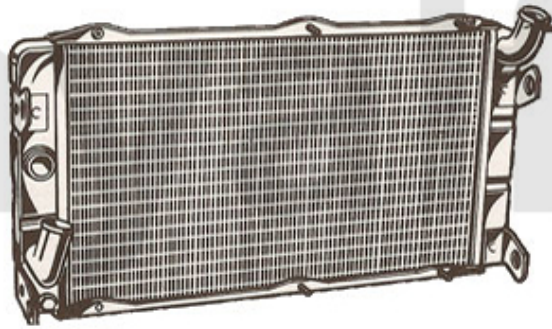
1 2626450 REPAIR KIT WATERPUMP MONTREAL

SEK3,152.82

# Motorkühler/Radiator Montreal

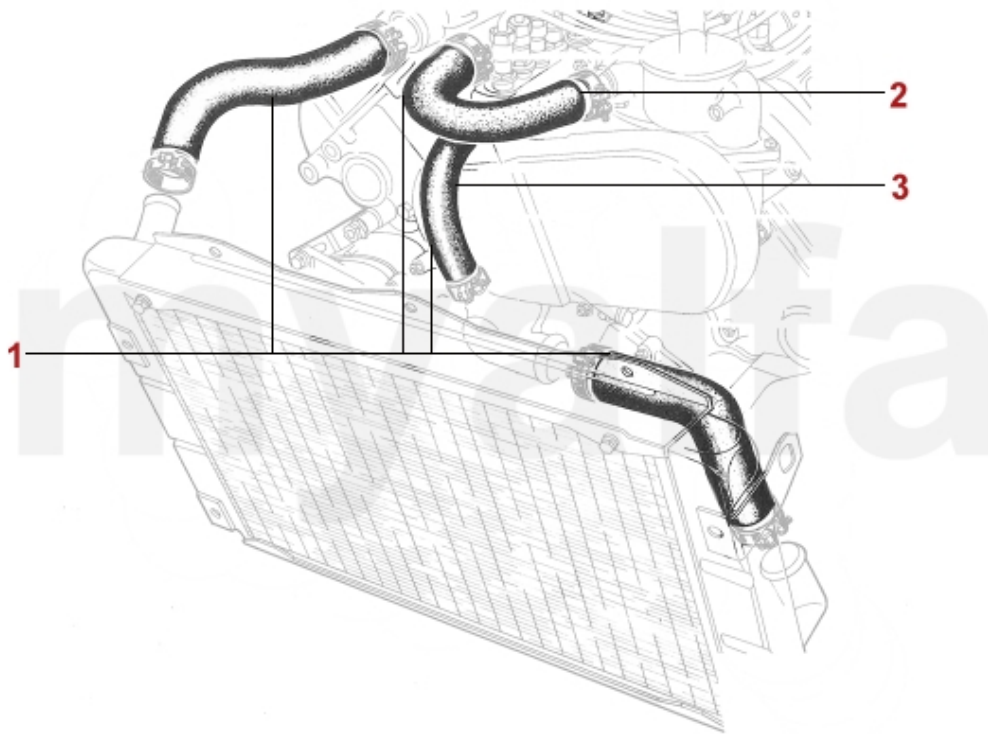
---

1. 261 645 0



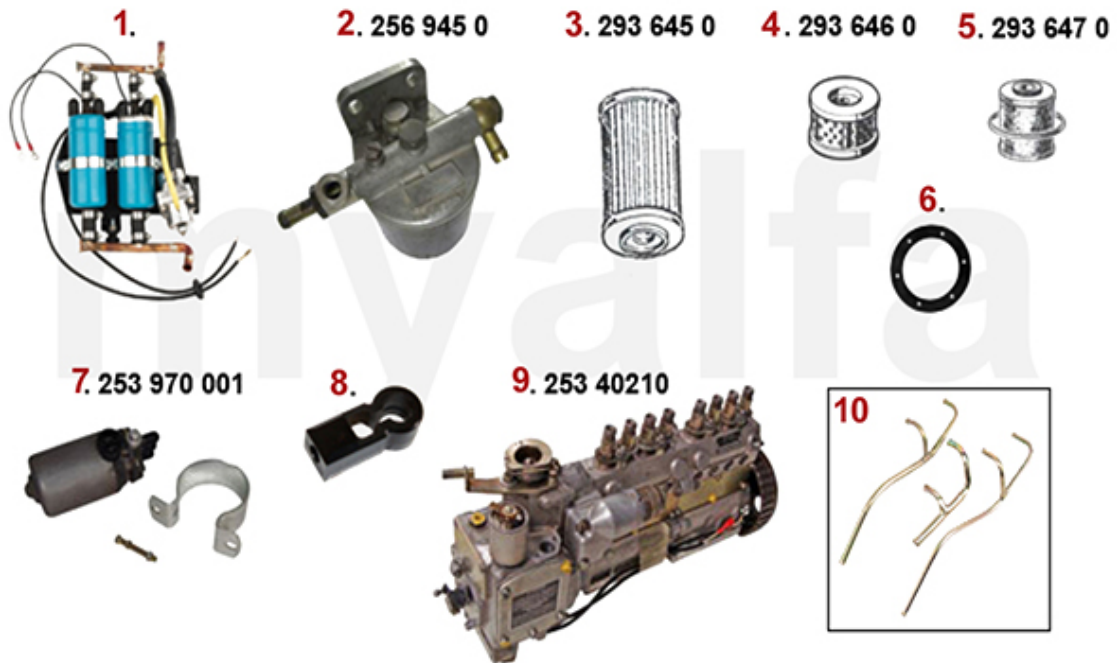
1 2616450 RADIATOR MONTREAL EXCHANGE

SEK6,943.33



<b>1</b>	<b>2660730</b>	<b>SET (4pc) COOLANT HOSES MONTREAL</b>	<b>SEK1,620.74</b>
<b>2</b>	<b>26615761</b>	<b>RADIATOR HOSE MONTREAL CYLINDER HEAD BYPASS</b>	<b>On request</b>
<b>3</b>	<b>26615764</b>	<b>RADIATOR HOSE WATER PUMP CYLINDER HEAD MONTREAL</b>	<b>On request</b>

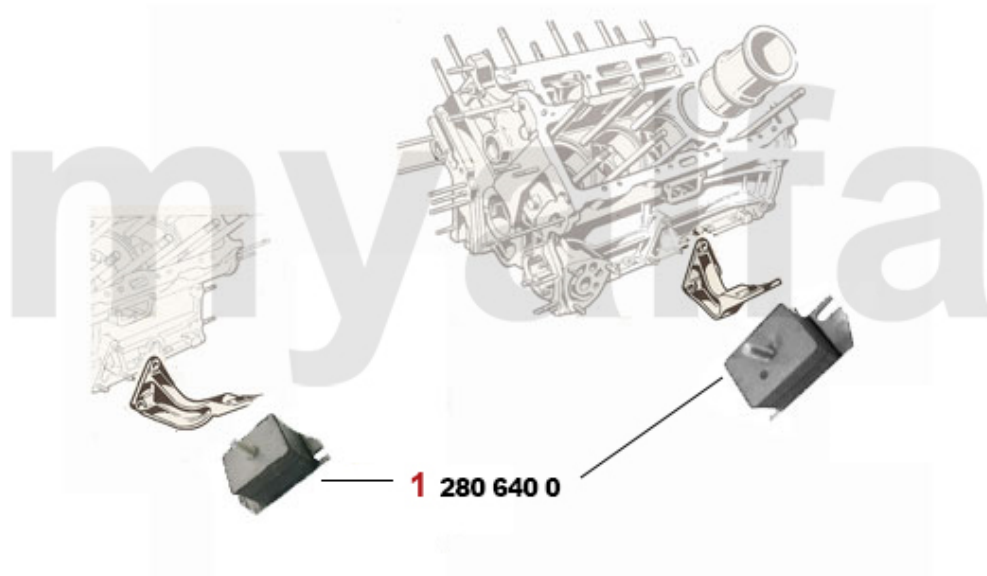
# Kraftstoffförderung/Fuel System Montreal



<b>1</b>	<b>2537020</b>	<b>FUEL PUMP SET MONTREAL</b>	<b>On request</b>
<b>2</b>	<b>2569450</b>	<b>FUEL PRESSURE REGULATOR MONTREAL</b>	<b>SEK1,743.12</b>
<b>3</b>	<b>2936450</b>	<b>OIL FILTER INJECTION PUMP SPICA MONTREAL</b>	<b>SEK465.23</b>
<b>4</b>	<b>2936460</b>	<b>FUEL FILTER Tank MONTREAL</b>	<b>SEK543.35</b>
<b>5</b>	<b>2936470</b>	<b>FUEL FILTER MONTREAL</b>	<b>SEK395.30</b>
<b>6</b>	<b>8650180</b>	<b>RUBBER GASKET SEAL FUEL FILTER TANK MONTREAL</b>	<b>SEK220.34</b>
<b>7</b>	<b>25370001</b>	<b>FUEL PUMP MONTREAL</b>	<b>On request</b>
<b>8</b>	<b>2521350</b>	<b>BALL SOCKET/JOINT HEAD MONTREAL, REGULATING LINKAGE INJECTION PUMP</b>	<b>SEK107.25</b>
<b>9</b>	<b>25340210</b>	<b>FUEL INJECTION PUMP MONTREAL</b>	<b>On request</b>
<b>10</b>	<b>2537040</b>	<b>FUEL PIPE SET AT FUEL PUMPS - MONTREAL</b>	<b>SEK2,378.59</b>

# Motorlager/Enginemount Montreal

---



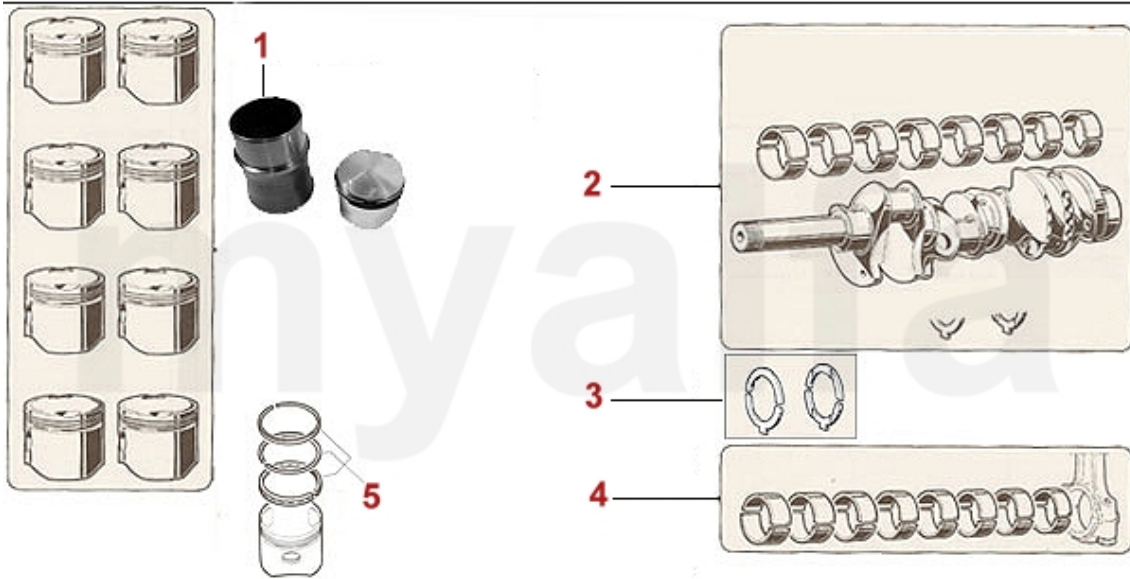
**1 280 640 0**

**1 2806400 SET ENGINE MOUNTS MONTREAL**

**SEK2,087.08**

1	2236400	INTAKE VALVE MONTREAL 37 mm	SEK383.64
2	2236410	EXHAUST VALVE MONTREAL 33 mm	SEK383.64
3	2230400	VALVE GUIDE INTAKE STANDARD 9 x 14,05 x 51	SEK122.38
3	2231600	VALVE GUIDE INTAKE OVERSIZE 0.10 9 x 14,10 x 51	SEK162.06
3	2231610	VALVE GUIDE INTAKE OVERSIZE 0.20 9 x 14,15 x 51	SEK162.06
3	2230420	VALVE GUIDE EXHAUST STANDARD 9 x 14,05 x 54	SEK127.10
3	2231620	VALVE GUIDE EXHAUST OVERSIZE 0.10 9 x 14,10 x 54	SEK173.72
4	2332550	VALVE SEAL REINZ	SEK57.17
5	2232920	VALVE SPRING CUP	On request
6	2232950	SHIM VALVE CUP / SPRING	SEK41.35
7	2232740	SET VALVE SPRINGS 16 PIECES	SEK991.09
8	2232960	VALVE COTTER 9MM	SEK22.20
9	2431140	SET VALVE SHIMS 200 PIECES 2,525 - 3,5 mm, DIAMETER 9mm	SEK6,517.78
9	2430840	SET VALVE SHIMS 205 PIECES 1,5 - 2,5 mm, DIAMETER 9mm	SEK6,517.78
9	2430430	VALVE SHIM 9MM PLEASE SUBMIT THE SIZE YOU NEED	SEK144.58
10	2416430	TIMING BELT INJECTION PUMP MONTREAL	SEK571.37
11	24161020	TIMING CHAIN MONTREAL RIGHT IWIS	SEK931.57
12	24160980	TIMING CHAIN MONTREAL LEFT IWIS	SEK921.16
13	24160500	TIMING CHAIN MONTREAL SHORT IWIS	SEK565.55
14	24155030	TIMING CHAIN OIL PUMP MONTREAL IWIS	SEK687.92
15	2426470	SET SLIDE RAILS MONTREAL, PTFE TEFLON	SEK3,474.58
16	2421050	LOWER CHAIN TENSIONER 2600 / 105/115 / Montreal	SEK629.65
17	2240680	CAM FOLLOWER OE-QUALITY 101/105/115/116/75/155/164	SEK204.10
17	2240710	CAM FOLLOWER DLC RACING MADE IN ITALY 101/105/115/116/75/164	SEK460.51

# Kolben/Lager-Pistons/Bearings Montreal



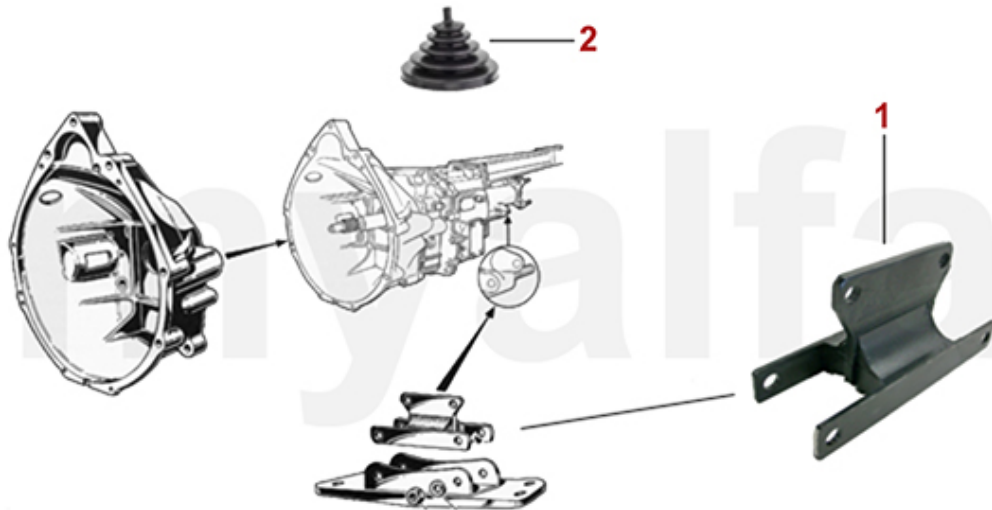
1	2216415	PISTON / LINER MONTREAL	SEK4,430.70
2	2256430	MAIN BEARINGS MONTREAL STANDARD	SEK4,768.84
2	2256431	MAIN BEARINGS MONTREAL +0,10	SEK4,768.84
2	2256432	MAIN BEARINGS MONTREAL +0,20	SEK4,768.84
2	2256433	MAIN BEARINGS MONTREAL +0,30	SEK5,584.97
2	2256434	MAIN BEARINGS MONTREAL +0,40	SEK5,584.97
3	2256440	SET THRUST WASHERS STD MONTREAL	SEK2,308.52
4	2266450	BIG END BEARINGS MONTREAL STANDARD	SEK4,069.26
4	2266451	BIG END BEARINGS MONTREAL +0,10	SEK4,069.26
4	2266452	BIG END BEARINGS MONTREAL +0,20	SEK4,419.05
4	2266453	BIG END BEARINGS MONTREAL +0,30	SEK4,419.05
4	2266454	BIG END BEARINGS MONTREAL +0,40	SEK5,362.27
5	2282265	SET PISTON RINGS MONTREAL (FOR 1 PISTON)	SEK454.68

<b>1</b>	<b>33207803</b>	<b>FRONT EXHAUST SECTION MONTREAL RIGHT</b>	<b>SEK3,952.57</b>
<b>2</b>	<b>33207813</b>	<b>FRONT EXHAUST SECTION MONTREAL LEFT</b>	<b>SEK3,952.57</b>
<b>3</b>	<b>34107806</b>	<b>MIDDLE EXHAUST SECTION MONTREAL RIGHT</b>	<b>SEK4,419.05</b>
<b>4</b>	<b>34107816</b>	<b>MIDDLE EXHAUST SECTION MONTREAL LEFT</b>	<b>SEK4,419.05</b>
<b>5</b>	<b>35107807</b>	<b>REAR EXHAUST SECTION MONTREAL RIGHT</b>	<b>SEK3,492.06</b>
<b>6</b>	<b>35107817</b>	<b>REAR EXHAUST SECTION MONTREAL LEFT</b>	<b>SEK3,492.06</b>
<b>7</b>	<b>38094407</b>	<b>GASKET EXHAUST MANIFOLD / FRONT EXHAUST SECTION MONTREAL</b>	<b>SEK99.07</b>
<b>8</b>	<b>38094047</b>	<b>O-RING REAR EXHAUST SECTION MONTREAL</b>	<b>SEK92.13</b>
<b>9</b>	<b>3800240</b>	<b>EXHAUST RUBBER MOUNT GTV6/MONTREAL REAR SECTION</b>	<b>SEK87.41</b>
<b>10</b>	<b>3800260</b>	<b>EXHAUST RUBBER HANGER</b>	<b>SEK58.28</b>
<b>11</b>	<b>3800510</b>	<b>EXHAUST HANGER RUBBER WASHER (SET 2)</b>	<b>SEK127.10</b>
<b>12</b>	<b>3800500</b>	<b>SET JACKET EXHAUST HANGER RUBBERS (2PC)</b>	<b>SEK67.43</b>
<b>13</b>	<b>3800280</b>	<b>GEARBOX EXHAUST HANGER BUSH</b>	<b>SEK110.72</b>



<b>1</b>	<b>2910050</b>	<b>SPIN-ON STYLE OIL FILTER</b>	<b>SEK115.44</b>
<b>1</b>	<b>2910230</b>	<b>OILFILTER ORANGE - ORIGINAL RETRO DESIGN</b>	<b>SEK208.68</b>
<b>1</b>	<b>2910220</b>	<b>SPIN-ON STYLE OIL FILTER ORIGINAL Alfa Romeo</b>	<b>SEK173.72</b>
<b>2</b>	<b>2920310</b>	<b>SET AIR FILTERS MONTREAL</b>	<b>SEK1,037.71</b>
<b>3</b>	<b>2526450</b>	<b>SET WING NUTS FOR MONTREAL AIR FILTER HOUSING (6 PC)</b>	<b>SEK931.57</b>
<b>4</b>	<b>2936460</b>	<b>FUEL FILTER Tank MONTREAL</b>	<b>SEK543.35</b>
<b>5</b>	<b>2936470</b>	<b>FUEL FILTER MONTREAL</b>	<b>SEK395.30</b>
<b>6</b>	<b>2936450</b>	<b>OIL FILTER INJECTION PUMP SPICA MONTREAL</b>	<b>SEK465.23</b>

# Getriebe Anbauteile/Gear Mount Montreal



- 1 4126410 REAR TRANSMISSION MOUNT MONTREAL**
- 2 4130080 GEARSTICK GAITER MONTREAL**

**SEK2,786.66**  
**SEK1,040.63**

# Kupplung/Clutch Montreal

---



<b>1</b>	<b>4344120</b>	<b>CLUTCH DISC MONTREAL</b>	<b>SEK2,669.97</b>
<b>2</b>	<b>4332300</b>	<b>PRESSURE PLATE MONTREAL</b>	<b>SEK3,451.27</b>
<b>3</b>	<b>4350330</b>	<b>CLUTCH RELEASE BEARING HYDRAULIC FICHTEL &amp; SACHS</b>	<b>SEK921.16</b>

<b>0</b>	<b>4380170</b>	<b>CLUTCH SLAVE CYLINDER 105/115 BENDITALIA</b>	<b>SEK1,078.50</b>
<b>1</b>	<b>4380120</b>	<b>CLUTCH MASTER CYLINDER HANGING PEDALS</b>	<b>SEK1,119.30</b>
<b>2</b>	<b>4380140</b>	<b>CLUTCH SLAVE CYLINDER 105/115 OE-QUALITY</b>	<b>SEK804.47</b>
<b>3</b>	<b>4380210</b>	<b>CLUTCH RESERVOIRE WITH CAP HANGING PEDALS</b>	<b>SEK640.75</b>
<b>4</b>	<b>4380200</b>	<b>CAP BRAKE / CLUTCH RESERVIORE HANGING PEDALS</b>	<b>SEK138.75</b>

<b>10</b>	<b>4440020</b>	<b>UNIVERSAL JOINT MONTREAL</b>	<b>SEK675.71</b>
<b>15</b>	<b>4420060</b>	<b>FRONT DOUGHNUT COUPLING MONTREAL</b>	<b>SEK2,087.08</b>
<b>20</b>	<b>4430220</b>	<b>PROPSHAFT CENTRE SUPPORT 1968-93 HEAVY DUTY</b>	<b>SEK728.72</b>
<b>21</b>	<b>4430030</b>	<b>PROPSHAFT CENTRE SUPPORT BEARING ORIGINAL QUALITY</b>	<b>SEK185.37</b>
<b>21</b>	<b>4430010</b>	<b>PROPSHAFT CENTER SUPPORT BEARING FAG</b>	<b>SEK303.17</b>
<b>22</b>	<b>4440120</b>	<b>RETAINING CLIP PROPSHAFT CENTRE SUPPORT BEARING</b>	<b>SEK34.97</b>

<b>1</b>	<b>5441560</b>	<b>WHEEL BEARING KIT REAR 1972-93 WITH SHRINK RING</b>	<b>SEK738.01</b>
<b>1</b>	<b>5441570</b>	<b>SKF WHEEL BEARING SET 1972-93</b>	<b>SEK1,340.88</b>
<b>2</b>	<b>2330280</b>	<b>OIL SEAL WHEEL BEARING REAR 1300-2000 1972-93 52/34/10</b>	<b>SEK110.72</b>
<b>3</b>	<b>4530510</b>	<b>DIFFERENTIAL CASE BEARING 2000</b>	<b>SEK515.32</b>
<b>4</b>	<b>2331110</b>	<b>OIL SEAL DIFFERENTIAL MONTREAL</b>	<b>SEK134.03</b>
<b>5</b>	<b>4541930</b>	<b>TAB WASHER (SET 2) AXLE PIPE RIGHT</b>	<b>SEK68.82</b>
<b>6</b>	<b>4541840</b>	<b>TAB WASHER AXLE PIPE LEFT</b>	<b>SEK33.86</b>
<b>7</b>	<b>4541940</b>	<b>TAB WASHER (SET 2) AXLE PIPE LEFT</b>	<b>SEK173.72</b>
<b>8</b>	<b>2330330</b>	<b>DIFFERENTIAL OIL PAN GASKET 2000</b>	<b>SEK96.15</b>
<b>9</b>	<b>4536410</b>	<b>DIFFERENTIAL SUMP MONTREAL / GTA AUTODELTA</b>	<b>SEK6,354.47</b>
<b>10</b>	<b>2280110</b>	<b>SUMP PLUG WITH MAGNET TRANSMISSION/DIFFERENTIAL 750/101, 105/115</b>	<b>SEK122.38</b>
<b>11</b>	<b>2330060</b>	<b>SUMP PLUG WASHER SUMP / TRANSMISSION / DIFFERENTIAL</b>	<b>SEK18.59</b>
<b>12</b>	<b>2280100</b>	<b>OIL FILLER SCREW , HEXAGON SOCKET, TRANS MISSION/DIFFERENTIAL M22x1.5</b>	<b>SEK92.13</b>
<b>13</b>	<b>4536440</b>	<b>STOP RUBBER DIFFERENTIAL / BODY 105/115</b>	<b>SEK192.45</b>

# Federn/Springs Montreal



<b>1</b>	<b>5156410</b>	<b>SPORT FRONT SPRING EIBACH BERLINA / MONTREAL (30MM LOWER)</b>	<b>SEK1,445.78</b>
<b>2</b>	<b>5180160</b>	<b>RUBBER SEAT FRONT SPRING UPPER / LOWER</b>	<b>SEK110.72</b>
<b>3</b>	<b>5180170</b>	<b>METAL SEAT FRONT SPRING UPPER / LOWER</b>	<b>SEK110.72</b>
<b>4</b>	<b>5180180</b>	<b>FRONT SPRING SPACER ALUMINIUM 6 mm</b>	<b>SEK326.48</b>
<b>5</b>	<b>5180131</b>	<b>SPRING PAN LEFT SHALLOW 1986-93</b>	<b>SEK571.37</b>
<b>6</b>	<b>5180132</b>	<b>FRONT SPRING PAN DEEP RIGHT 1986-93</b>	<b>SEK571.37</b>
<b>7</b>	<b>5180140</b>	<b>UPPER RUBBER SEAT REAR SPRING</b>	<b>SEK115.44</b>
<b>8</b>	<b>5156420</b>	<b>REAR SPRING EIBACH MONTREAL (30MM LOWER)</b>	<b>SEK1,433.01</b>

# Stoßdämpfer/Shock Absorber Montreal

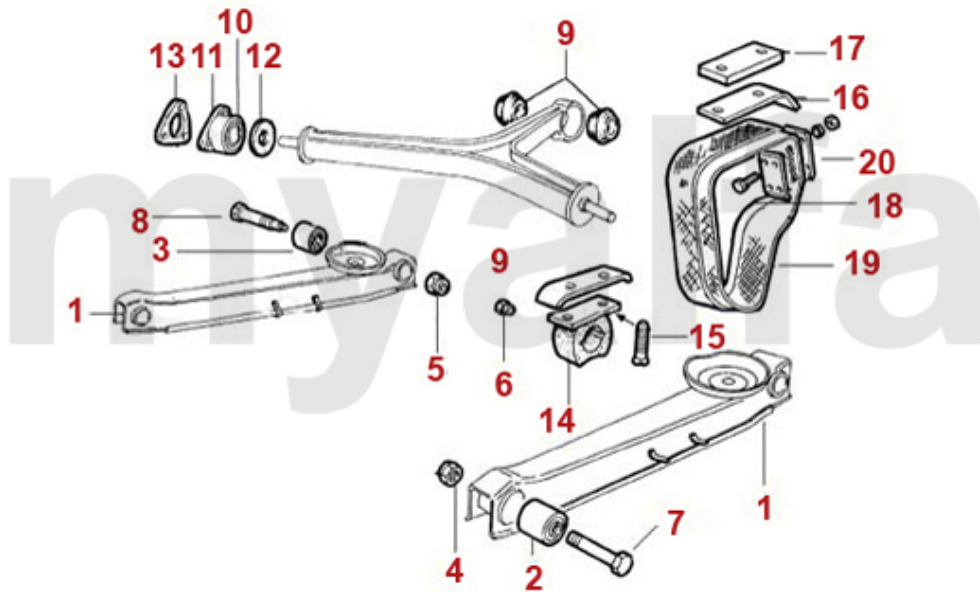


<b>1</b>	<b>5120050</b>	<b>SHOCK ABSORBER FRONT BILSTEIN GAS PRESSURE</b>	<b>SEK1,737.29</b>
<b>2</b>	<b>5120030</b>	<b>SHOCK ABSORBER FRONT KONI RED ADJUSTABLE</b>	<b>SEK1,502.94</b>
<b>3</b>	<b>5121490</b>	<b>SHOCK ABSORBER FRONT KONI YELLOW ADJUSTABLE</b>	<b>SEK1,514.60</b>
<b>4</b>	<b>5120060</b>	<b>SHOCK ABSORBER REAR BILSTEIN GAS PRESSURE</b>	<b>SEK1,737.29</b>
<b>5</b>	<b>5120040</b>	<b>SHOCK ABSORBER REAR KONI RED ADJUSTABLE</b>	<b>SEK1,502.94</b>
<b>6</b>	<b>5121500</b>	<b>SHOCK ABSORBER REAR KONI YELLOW ADJUSTABLE</b>	<b>SEK1,514.60</b>



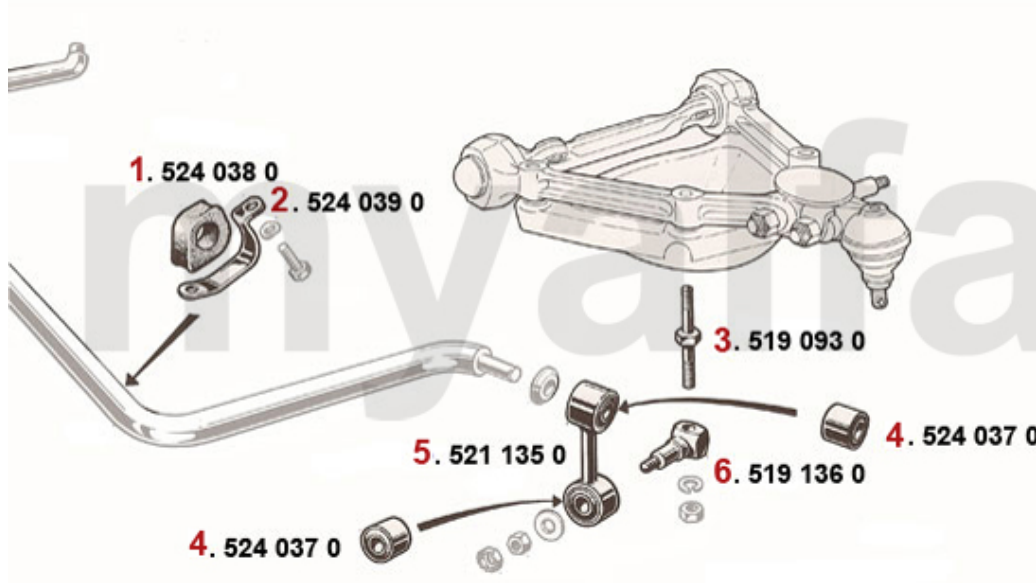
1	5340220	CASTOR ARM BALL JOINT	SEK395.30
2	5350200	TOP ARM INNER BUSH	SEK138.75
3	5340210	CASTOR ARM BUSH 23 mm HIGH	SEK135.28
4	5350460	SPACER (SET) FOR CASTOR ARM BUSH 19mm	SEK92.13
5	5330191	TOP SUSPENSION ARM LEFT WITH BUSHINGS WITHOUT CAP CASTOR ARM BUSH	SEK1,048.26
5	5330192	TOP SUSPENSION ARM RIGHT WITH BUSHINGS WITHOUT CAP CASTOR ARM BUSH	SEK1,048.26
6	5331650	SET ADJUSTABLE TOP ARMS WITH BUSHINGS WITHOUT CASTOR ARM BUSH	On request
6	5331651	ADJUSTABLE TOP ARM LEFT WITH BUSHINGS WITHOUT CAP CASTOR ARM BUSH	SEK1,778.08
6	5331652	ADJUSTABLE TOP ARM RIGHT WITH BUSHINGS WITHOUT CAP CASTOR ARM BUSH	SEK1,778.08
7	5190680	WISHBONE BUSH END CAP	SEK80.48
8	5191150	TAB WASHER BOTTOM WISHBONE BUSH	SEK57.17
9	5350240	BOTTOM WISHBONE BUSH	SEK520.04
10	5331120	WISHBONE USED	On request
11	5331170	FRONT WISHBONE ARM USED	On request
12	5331180	REAR WISHBONE ARM USED	On request
13	5190580	LOWER BUMP STOP FRONT WITH BOLT	SEK197.03
14	5521191	BUMP STOP PLATE LEFT	On request
14	5521192	BUMP STOP PLATE RIGHT	On request
15	5191210	NUT SPRING PAN SCREW	SEK23.31
16	5191220	BOLT SHOCK ABSORBER 105 / 115 / MONTREAL	SEK250.72
17	2280170	SCREW BALL JOINT HIGH STRENGTH	SEK75.76
18	5191240	SAFETY NUT BOTTOM BALL JOINT	On request
19	5330230	BOTTOM BALL JOINT	SEK413.89
20	5190260	UPPER BUMP STOP 1969-93	SEK103.79

# Aufhängung hinten / Attachment rear Montreal



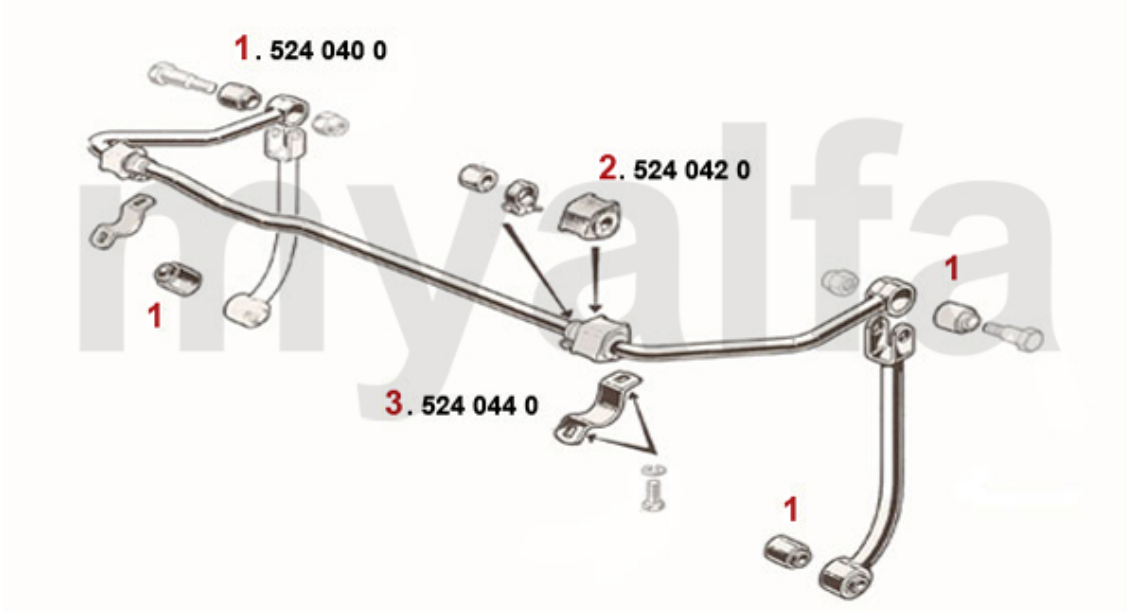
<b>1</b>	<b>5320310</b>	<b>REAR TRAILING ARM 1968-93, WITHOUT BUSHINGS</b>	<b>SEK1,375.85</b>
<b>2</b>	<b>5341090</b>	<b>FRONT TRAILING ARM BUSH 1968-93, DIAMETER 50 mm HEAVY DUTY</b>	<b>SEK299.70</b>
<b>3</b>	<b>5341100</b>	<b>REAR TRAILING ARM BUSH 1962-93, HEAVY DUTY</b>	<b>SEK299.70</b>
<b>4</b>	<b>5190650</b>	<b>SAFETY NUT FRONT SCREW TRAILING ARM</b>	<b>SEK45.51</b>
<b>5</b>	<b>5350660</b>	<b>BIG SAFETY NUT FOR TRAILING ARM BOLT</b>	<b>SEK50.09</b>
<b>6</b>	<b>5350670</b>	<b>SMALL SAFETY NUT FOR TRAILING ARM BOLT</b>	<b>SEK19.29</b>
<b>7</b>	<b>5190910</b>	<b>FRONT SCREW TRAILING ARM</b>	<b>SEK80.48</b>
<b>8</b>	<b>5350920</b>	<b>BOLT FOR REAR OF TRAILING ARM</b>	<b>SEK250.72</b>
<b>9</b>	<b>5351460</b>	<b>T-BAR CONICAL BUSH HEAVY DUTY</b>	<b>SEK92.69</b>
<b>10</b>	<b>5350551</b>	<b>T-BAR END BUSH</b>	<b>SEK348.68</b>
<b>11</b>	<b>5350552</b>	<b>T-BAR END BUSH HOUSING</b>	<b>SEK454.68</b>
<b>12</b>	<b>5350970</b>	<b>T-BAR END RUBBER WASHER RUBBER</b>	<b>SEK61.74</b>
<b>13</b>	<b>5351860</b>	<b>T-BAR SPACER 2 mm</b>	<b>On request</b>
<b>14</b>	<b>5190270</b>	<b>UPPER BUMP STOP REAR AXLE VERSION FOR 31mm REBOUND STRAP</b>	<b>SEK173.72</b>
<b>15</b>	<b>5190590</b>	<b>SCREW REAR UPPER BUMP STOP</b>	<b>SEK28.03</b>
<b>16</b>	<b>5190540</b>	<b>REBOUND STRAP GUIDE PANEL UNDER UPPER BUMP STOP REAR AXLE TWO BENDED ENDS</b>	<b>SEK150.41</b>
<b>17</b>	<b>5190870</b>	<b>Bump Stop Spacer</b>	<b>SEK476.88</b>
<b>18</b>	<b>4540361</b>	<b>OUTER REBOUND STRAP REAR 31 mm</b>	<b>SEK145.69</b>
<b>19</b>	<b>4540362</b>	<b>INNER REBOUND STRAP REAR 31 mm</b>	<b>SEK145.69</b>
<b>20</b>	<b>5190530</b>	<b>FITTING KIT FOR ONE REBOUND STRAP 31 mm</b>	<b>SEK150.41</b>

# Stabilisator vorne/Stabilizer front Montreal



<b>1</b>	<b>5240380</b>	<b>ANTI-ROLL BAR RUBBER FRONT SET (2) 105, 102 20000, 106 2600</b>	<b>SEK150.41</b>
<b>2</b>	<b>5240390</b>	<b>BRACKET FRONT ANTI ROLL BAR RUBBER</b>	<b>SEK101.98</b>
<b>3</b>	<b>5190930</b>	<b>BOLT SPRING (HIGH-STRENGTH STEEL) PAN / DROP LINK 1969-86</b>	<b>SEK314.27</b>
<b>4</b>	<b>5240370</b>	<b>FRONT UPPER ANTI ROLL BAR DROP LINK BUSH 30 mm</b>	<b>SEK115.44</b>
<b>5</b>	<b>5211350</b>	<b>FRONT ANTI ROLL BAR DROP LINK WITH BUSHINGS 1968-86</b>	<b>SEK332.31</b>
<b>6</b>	<b>5191360</b>	<b>SPRING PAN TO DROP LINK BOLT 1968-86</b>	<b>SEK278.61</b>

# Stabilisator hinten/Stabilizer rear Montreal



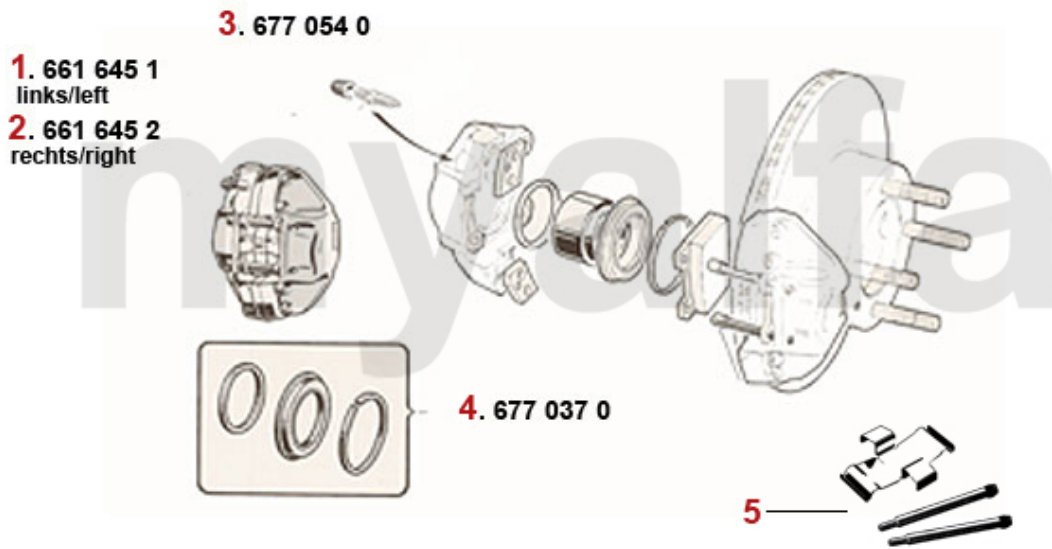
<b>1</b>	<b>5240400</b>	<b>REAR DROP LINK LOWER BUSH</b>	<b>SEK125.99</b>
<b>2</b>	<b>5340110</b>	<b>SET ANTI-ROLL BAR RUBBER REAR MONTREAL, GIULIA, GTV, SPIDER</b>	<b>SEK466.34</b>
<b>3</b>	<b>5240440</b>	<b>BRACKET REAR ANTI ROLL BAR REAR</b>	<b>SEK162.06</b>

<b>1</b>	<b>5440280</b>	<b>WHEEL BEARING KIT FRONT 101/105/115</b>	<b>SEK628.40</b>
<b>1</b>	<b>5440200</b>	<b>INNER WHEEL BEARING SKF 1900/750/101/105/115</b>	<b>SEK262.38</b>
<b>2</b>	<b>5441550</b>	<b>WHEEL BEARING KIT REAR 1964-72WITH TAB WASHER</b>	<b>SEK809.19</b>
<b>2</b>	<b>5441560</b>	<b>WHEEL BEARING KIT REAR 1972-93 WITH SHRINK RING</b>	<b>SEK738.01</b>
<b>2</b>	<b>5441571</b>	<b>WHEEL BEARING REAR - 1900 / 101 1600 /105/115 RACING</b>	<b>SEK1,219.61</b>

<b>1</b>	<b>5722690</b>	<b>ALUMINIUM WHEEL MONTREAL 6.5x14 ET25 MADE IN ITALY , SERIES 1</b>	<b>SEK3,602.78</b>
<b>2</b>	<b>5722670</b>	<b>ALUMINIUM WHEEL MONTREAL 7,5x14 ET10 MADE IN ITALY , SERIES 2</b>	<b>SEK3,486.23</b>
<b>3</b>	<b>1362410</b>	<b>BADGE ALUMINIUM WHEEL SILVER / BLACK BACKGROUND 48 mm</b>	<b>SEK92.13</b>
<b>4</b>	<b>1360500</b>	<b>BADGE ALUMINIUM WHEEL BLACK / SILVER BACKGROUND 48 mm</b>	<b>SEK92.13</b>
<b>5</b>	<b>1360510</b>	<b>CIRCLIP BADGE ALUMINIUM WHEEL 48 mm</b>	<b>SEK43.15</b>
<b>6</b>	<b>5740942</b>	<b>WHEEL NUT ALUMINIUM WHEEL HIGH GLOSS CHROMED, RIGHT HAND THREAD</b>	<b>SEK45.37</b>
<b>6</b>	<b>5740941</b>	<b>WHEEL NUT ALUMINIUM WHEEL HIGH GLOSS CHROMED, LEFT HAND THREAD</b>	<b>SEK45.37</b>
<b>7</b>	<b>5741710</b>	<b>LOCK SET ALUMINIUM WHEEL RIGHT HAND THREAD</b>	<b>SEK451.22</b>

<b>1</b>	<b>6106450</b>	<b>BRAKE DISC MONTREAL FRONT ohne Radbolzen</b>	<b>SEK3,089.82</b>
<b>2</b>	<b>6106460</b>	<b>BRAKE DISC MONTREAL REAR</b>	<b>SEK4,069.26</b>

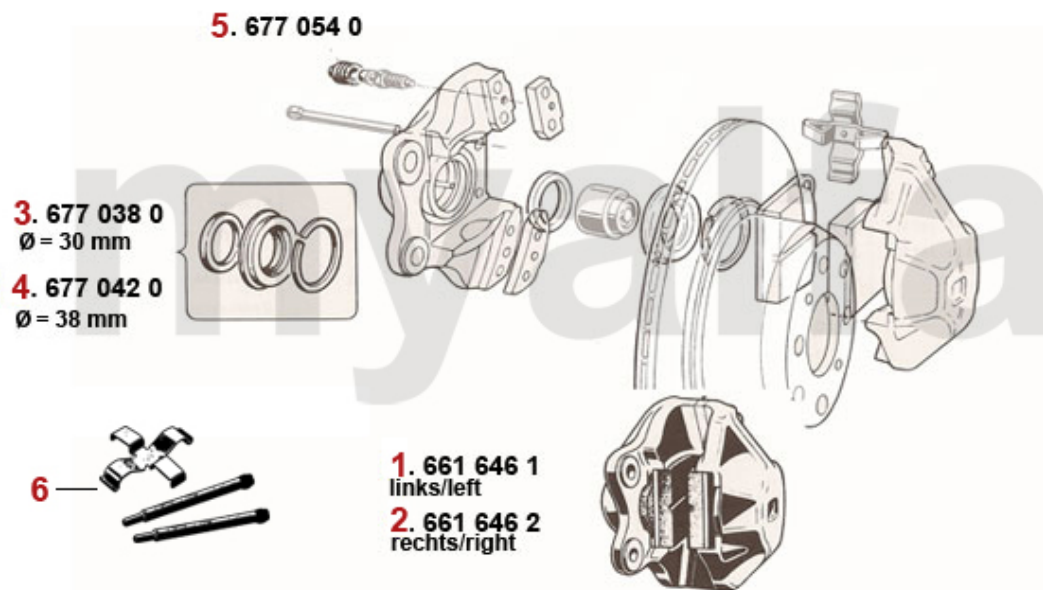
# Bremssattel/Caliper Montreal vorne/front



1	6616451	BRAKE CALIPER MONTREAL FRONT NEW LEFT	SEK2,786.66
2	6616452	BRAKE CALIPER MONTREAL FRONT NEW RIGHT	SEK2,786.66
3	6770540	CAP BLEEDER SCREW	SEK18.04
4	6770370	BRAKE CALIPER REBUILD KIT FRONT ATE	SEK263.49
5	6500100	RETAINING PIN FOR FRONT BRAKE PAD MONTREAL	SEK227.41



# Bremssattel/Caliper Montreal hinten/rear

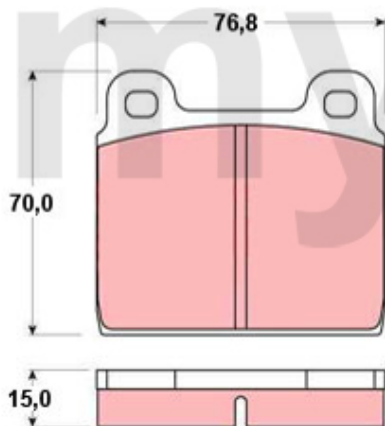


<b>1</b>	<b>6616461</b>	<b>BRAKE CALIPER MONTREAL REAR LEFT</b>	<b>SEK2,498.06</b>
<b>2</b>	<b>6616462</b>	<b>BRAKE CALIPER MONTREAL REAR RIGHT</b>	<b>SEK2,498.06</b>
<b>3</b>	<b>6770380</b>	<b>BRAKE CALIPER REBUILD KIT 1964-66 ATE (30 mm), PREMIUM</b>	<b>SEK687.92</b>
<b>4</b>	<b>6770420</b>	<b>BRAKE CALIPER REBUILD KIT 1967-93 REAR ATE, 38mm PISTONS</b>	<b>SEK277.50</b>
<b>5</b>	<b>6770540</b>	<b>CAP BLEEDER SCREW</b>	<b>SEK18.04</b>
<b>6</b>	<b>6500200</b>	<b>RETAINING PIN SET FOR REAR BRAKE PADS MONTREAL</b>	<b>SEK227.41</b>

# Bremsbeläge/Brake Pads Montreal

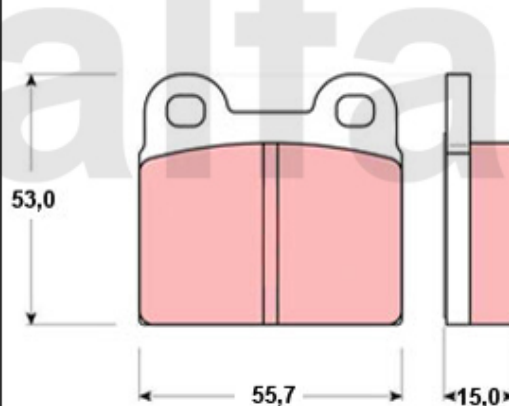
## vorne/front:

1. 630 005 F Ferodo std.    2. 630 098 0 Ferodo Racing DS2500    3. 630 089 0 Ferodo Racing DS3000



## hinten/rear:

4. 630 006 F Ferodo std.    5. 630 099 0 Ferodo Racing DS2500    6. 630 090 0 Ferodo Racing DS3000



1	630005F	BRAKE PADS 1750/2000, 1600 1986-93 FRONT, OEM QUALITY	SEK496.73
2	6300980	BRAKE PADS 1750/2000, 1600 1986-93 FRONT FERODO RACING DS2500	SEK1,807.22
3	6300890	BRAKE PADS 1750/2000, 1600 1986-93 FRONT FERODO RACING DS3000	SEK1,690.67
4	630006F	BRAKE PADS 1300-2000 1966-93 REAR, OEM QUALITY	SEK425.55
5	6300990	BRAKE PADS 1300-2000 REAR FERODO RACING DS2500	SEK1,445.78
6	6300900	BRAKE PADS 1300-2000 REAR FERODO RACING DS3000	SEK1,603.26

<b>1</b>	<b>6710250</b>	<b>BRAKE BOOSTER 1300-2000 SYSTEM ATE, HANGING PEDALS</b>	<b>SEK2,740.04</b>
<b>1</b>	<b>6710260</b>	<b>BRAKE BOOSTER 1300-2000 SYSTEM ATE, HANGING PEDALS BENDITALIA ORIGINAL</b>	<b>SEK4,419.05</b>
<b>2</b>	<b>4380200</b>	<b>CAP BRAKE / CLUTCH RESERVIOR HANGING PEDALS</b>	<b>SEK138.75</b>
<b>3</b>	<b>6770580</b>	<b>BRAKE FLUID RESERVOIR HANGING PEDALS</b>	<b>On request</b>
<b>4</b>	<b>6720280</b>	<b>BRAKE MASTER CYLINDER HANGING PEDALS 20,6MM</b>	<b>SEK1,467.98</b>
<b>5</b>	<b>6770340</b>	<b>REPAIR KIT BMC 1300-2000 HANGING PEDALS ATE 20 mm</b>	<b>SEK641.30</b>
<b>6</b>	<b>6770710</b>	<b>REPAIR KIT HBZ 1300-2000 HANGING PEDALS ATE VERSION 22 mm</b>	<b>SEK260.02</b>

<b>1</b>	<b>6760210</b>	<b>BRAKE HOSE FRONT 750/101/105/106/ MONTREAL</b>	<b>SEK230.88</b>
<b>2</b>	<b>6760220</b>	<b>BRAKE HOSE REAR 750/101/105/ MONTREAL</b>	<b>SEK255.30</b>
<b>3</b>	<b>6740210</b>	<b>BRAKE PRESSURE REG. TYPE ATE GIULIA, GT BERTONE, SPIDER 1. SERIES, MONTREAL</b>	<b>SEK2,622.24</b>
<b>4</b>	<b>6780010</b>	<b>SET (2) FRONT BRAKE LINE BRACKET</b>	<b>SEK496.73</b>

<b>1</b>	<b>6400100</b>	<b>SET BRAKE SHOES 4 PIECES</b>	<b>SEK460.51</b>
<b>2</b>	<b>6500820</b>	<b>HANDBRAKE ADJUSTOR</b>	<b>SEK460.51</b>
<b>3</b>	<b>6500730</b>	<b>HANDBRAKE SHOE RETAINING PIN</b>	<b>SEK54.81</b>
<b>4</b>	<b>6810810</b>	<b>COUNTERPLATE FOR RETAINING PIN</b>	<b>SEK103.79</b>
<b>5</b>	<b>6810470</b>	<b>HANDBRAKE SHOE OPERATOR LEVER</b>	<b>SEK396.41</b>
<b>6</b>	<b>6810460</b>	<b>REAR BRAKE ANCHOR PLATE</b>	<b>On request</b>
<b>7</b>	<b>6801050</b>	<b>MAIN HANDBRAKE CABLE MONTREAL</b>	<b>SEK693.75</b>
<b>8</b>	<b>6500840</b>	<b>HANDBRAKE SHOE SPRING LONG</b>	<b>SEK75.20</b>
<b>9</b>	<b>6500850</b>	<b>HANDBRAKE SHOE SPRING SHORT</b>	<b>SEK54.81</b>
<b>10</b>	<b>6800170</b>	<b>HAND BRAKE CABLE SET (2PC) REAR LEFT AND RIGHT - 105 MONTREAL</b>	<b>SEK571.37</b>

<b>1</b>	<b>8146450</b>	<b>SET IGNITION MODULES MONTREAL WITH IGNITION COIL</b>	<b>On request</b>
<b>2</b>	<b>8156450</b>	<b>POINTS MARELLI 4 SPRINGS SHORT CABLE</b>	<b>SEK1,270.95</b>
<b>3</b>	<b>816100</b>	<b>ROTOR MONTREAL / FERRARI 308</b>	<b>SEK1,270.95</b>
<b>3</b>	<b>8171440</b>	<b>DISTRIBUTOR CAP MONTREAL / FERRARI 308</b>	<b>SEK2,670.11</b>
<b>4</b>	<b>8186450</b>	<b>HT LEADS MONTREAL</b>	<b>SEK1,980.93</b>
<b>5</b>	<b>BA2HL</b>	<b>SPARK PLUG "myalfa" 2HL</b>	<b>SEK103.79</b>
<b>5</b>	<b>BP7ES</b>	<b>OE. 60512929 SPARK PLUG NGK BP7ES</b>	<b>SEK57.17</b>
<b>6</b>	<b>8186430</b>	<b>SET HAT LEAD CLAMPS MONTREAL</b>	<b>SEK921.16</b>
<b>7</b>	<b>8151500</b>	<b>CONDENSER MARELLI MONTREAL / GTA / FERRARI</b>	<b>SEK215.76</b>

<b>1</b>	<b>8226450</b>	<b>STARTER MOTOR MONTREAL EXCHANGE</b>	<b>On request</b>
<b>1</b>	<b>8216450</b>	<b>HIGH PERFORMANCE STARTER MOTOR - MONTREAL</b>	<b>SEK5,001.94</b>
<b>2</b>	<b>8216460</b>	<b>ALTERNATOR MONTREAL EXCHANGE 65A STD</b>	<b>SEK4,535.60</b>
<b>2</b>	<b>8216470</b>	<b>ALTERNATOR MONTREAL NEW 65A STANDARD</b>	<b>SEK6,704.26</b>
<b>2</b>	<b>8216480</b>	<b>ALTERNATOR MONTREAL NEW 100A STRENGTHENED</b>	<b>SEK8,033.49</b>
<b>3</b>	<b>8230700</b>	<b>EXTERNAL REGULATOR ALTERNATOR 12V</b>	<b>SEK378.93</b>
<b>3</b>	<b>8230710</b>	<b>EXTERNAL REGULATOR ALTERNATOR 12V HELLA</b>	<b>SEK460.51</b>

# Schalter/Switches Montreal



1	8414600	ELECTRIC WINDOW ROCKER SWITCH MONTREAL	SEK804.47
2	8413801	INTERIOR LIGHT ROCKER SWITCH MONTREAL	SEK687.92
3	8413400	HORN ROCKER SWITCH MONTREAL	SEK687.92
4	8410510	DASHLIGHT ROCKER SWITCH SPIDER 1970-80 / MONTREAL	SEK687.92
5	8410580	HEATER FAN ROCKER SWITCH SPIDER 1970-80, MONTREAL	SEK804.47
6	8410540	WINDSCREEN WIPER ROCKER SWITCH SPIDER 1970-80, MONTREAL	SEK804.47
7	8416450	COURTESY LIGHT SWITCH MONTREAL	SEK95.60
8	8436450	COLUMN SWITCH MONTREAL	SEK2,786.66
9	8110080	IGNITION SWITCH RIGHT SIDE OF STEERING WHEEL	SEK1,620.74



<b>1</b>	<b>8620470</b>	<b>WATER TEMPERATUR SENDER</b>	<b>SEK231.99</b>
<b>2</b>	<b>8610190</b>	<b>OIL PRESSURE SENDER JAEGER / VEGLIA SERIES 2</b>	<b>SEK558.47</b>
<b>2</b>	<b>8610180</b>	<b>OIL PRESSURE SENDER JAEGER 1st SERIES (SHORT VERSION)</b>	<b>SEK641.30</b>
<b>3</b>	<b>8410390</b>	<b>OIL PRESSURE SWITCH</b>	<b>SEK180.79</b>
<b>4</b>	<b>8640150</b>	<b>REVERS LIGHT SWITCH SCREW-IN</b>	<b>SEK185.37</b>
<b>5</b>	<b>8420750</b>	<b>INDICATOR/FLASHER PLASTIC RELAY 4 PIN</b>	<b>SEK230.88</b>
<b>6</b>	<b>2631050</b>	<b>THERMO SWITCH MONTREAL 88°/79° C</b>	<b>SEK285.69</b>

# Installationsmaterial/Installation Material Montreal



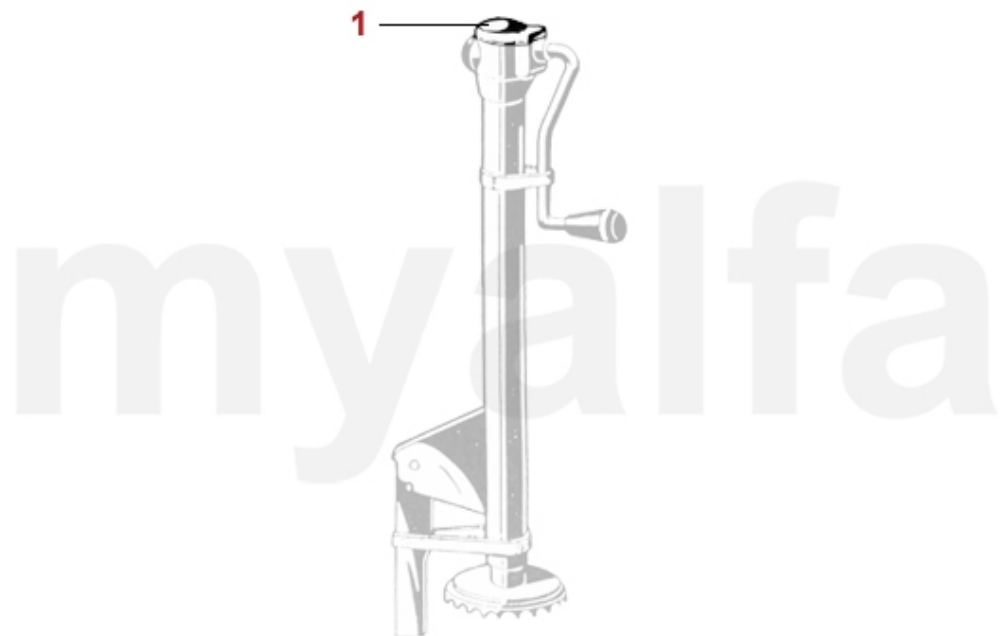
<b>1</b>	<b>8430960</b>	<b>HAZARD UPGRADE KIT 12V HELLA</b>	<b>SEK1,853.84</b>
<b>2</b>	<b>8701120</b>	<b>HORN SET LOW / HIGH</b>	<b>SEK532.80</b>
<b>3</b>	<b>87046010</b>	<b>ANTENNA STAINLESS STEEL</b>	<b>SEK208.68</b>
<b>4</b>	<b>9822250</b>	<b>BATTERY LIFE SAFER</b>	<b>SEK448.86</b>
<b>5</b>	<b>8421540</b>	<b>POWER RELAY</b>	<b>SEK185.37</b>
<b>6</b>	<b>1190190</b>	<b>ELECTRIC WINDOW MOTOR SPIDER 1990-93 / MONTREAL / ALFETTA GTV</b>	<b>SEK1,504.05</b>

<b>1</b>	<b>1570080</b>	<b>INDICATOR LAMP FOR INDICATOR (ONE ARROW)</b>	<b>SEK256.55</b>
<b>2</b>	<b>1570010</b>	<b>INDICATOR LAMP FOR INDICATOR</b>	<b>SEK256.55</b>
<b>3</b>	<b>1570020</b>	<b>INDICATOR LAMP RED, BRAKE</b>	<b>SEK256.55</b>
<b>4</b>	<b>1570030</b>	<b>INICATOR LAMP GREEN FOR DIMMED HEADLIGHTS</b>	<b>SEK256.55</b>
<b>5</b>	<b>1570040</b>	<b>INDICATOR LIGHT BLUE FOR FULL BEAM</b>	<b>SEK256.55</b>
<b>6</b>	<b>1570050</b>	<b>INDICATOR LAMP YELLOW FOR FOG LAMP</b>	<b>SEK256.55</b>
<b>7</b>	<b>1570060</b>	<b>CLAMP FOR DASHBOARD LAMP</b>	<b>SEK17.48</b>



<b>1</b>	<b>5566450</b>	<b>IDLER ARM MONTREAL EXCHANGE / SURCHARGE 300 EURO</b>	<b>SEK4,302.36</b>
<b>2</b>	<b>5540331</b>	<b>OUTER TRACK ROD END LEFT HAND THREAD LEMFÖRDER</b>	<b>On request</b>
<b>2</b>	<b>5540332</b>	<b>OUTER TRACK ROD END RIGHT HAND THREAD LEMFÖRDER</b>	<b>On request</b>
<b>3</b>	<b>5540181</b>	<b>INNER TRACK ROD END LEFT HAND THREAD LEMFÖRDER</b>	<b>On request</b>
<b>3</b>	<b>5540182</b>	<b>INNER TRACK ROD END RIGHT HAND THREAD LEMFÖRDER</b>	<b>SEK489.65</b>
<b>4</b>	<b>5540111</b>	<b>COUNTER NUT TRACK ROD LEFT HAND THREAD</b>	<b>SEK29.14</b>
<b>4</b>	<b>5540112</b>	<b>COUNTER NUT TRACK ROD RIGHT HAND THREAD</b>	<b>SEK29.14</b>
<b>5</b>	<b>5511050</b>	<b>STEERING BOX CASING BURMAN MONTREAL</b>	<b>SEK8,569.89</b>
<b>6</b>	<b>1770310</b>	<b>LOCKING TAB STEERING WHEEL UNTIL 1985</b>	<b>SEK57.17</b>
<b>7</b>	<b>1770320</b>	<b>NUT STEERING WHEEL - 1900, 750/101, 102/106, 105/ 115 UNTIL 1985</b>	<b>SEK204.10</b>

<b>1</b>	<b>8830010</b>	<b>SET WIPER BLADES MONTREAL STAINLESS STEEL</b>	<b>SEK698.47</b>
<b>2</b>	<b>8810010</b>	<b>WIPER WASHER RESERVOIR MONTREAL</b>	<b>SEK1,922.66</b>
<b>3</b>	<b>8810020</b>	<b>LID FOR WIPER WATER RESERVOIR MONTREAL</b>	<b>SEK289.16</b>
<b>4</b>	<b>8810210</b>	<b>WINDSHIELD WASHER FOOT PUMP</b>	<b>SEK757.85</b>
<b>5</b>	<b>8800820</b>	<b>WASHER JET CHROME 2-JETS (750/101)</b>	<b>SEK150.41</b>



**1 9811050 BATTAINI CAP FOR JACK TOP ALFA ROMEO 105 SERIES**

**SEK197.58**



\*das Bild zeigt eine Stretchshell Decke in schwarz

<b>1</b>	<b>9111180</b>	<b>CARCOVER MADE TO MEASURE ALFA ROMEO MONTREAL WITH BADGE, RED</b>	<b>SEK1,970.53</b>
<b>2</b>	<b>9116460</b>	<b>CAR COVER ALFA ROMEO MONTREAL, RED</b>	<b>SEK1,387.50</b>
<b>2</b>	<b>9116470</b>	<b>CAR COVER ALFA ROMEO MONTREAL, BLUE</b>	<b>SEK1,387.50</b>
<b>2</b>	<b>9116480</b>	<b>CAR COVER ALFA ROMEO MONTREAL, GREEN</b>	<b>SEK1,387.50</b>
<b>2</b>	<b>9116490</b>	<b>CAR COVER ALFA ROMEO MONTREAL, BLACK</b>	<b>SEK1,387.50</b>

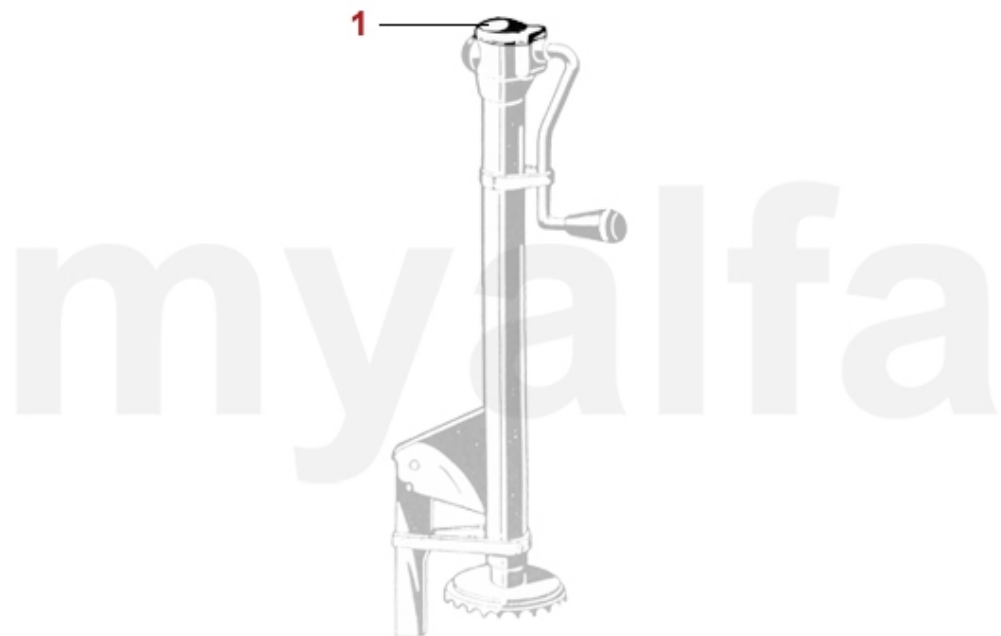


<b>1</b>	<b>9822260</b>	<b>BATTERY CHARGER AB-4 ABSAAR</b>	<b>SEK553.89</b>
<b>2</b>	<b>9822250</b>	<b>BATTERY LIFE SAFER</b>	<b>SEK448.86</b>
<b>3</b>	<b>8701130</b>	<b>BATTERY SWITCH / MASS POLE CLAMP</b>	<b>SEK92.13</b>



<b>1</b>	<b>5566450</b>	<b>IDLER ARM MONTREAL EXCHANGE / SURCHARGE 300 EURO</b>	<b>SEK4,302.36</b>
<b>2</b>	<b>5540331</b>	<b>OUTER TRACK ROD END LEFT HAND THREAD LEMFÖRDER</b>	<b>On request</b>
<b>2</b>	<b>5540332</b>	<b>OUTER TRACK ROD END RIGHT HAND THREAD LEMFÖRDER</b>	<b>On request</b>
<b>3</b>	<b>5540181</b>	<b>INNER TRACK ROD END LEFT HAND THREAD LEMFÖRDER</b>	<b>On request</b>
<b>3</b>	<b>5540182</b>	<b>INNER TRACK ROD END RIGHT HAND THREAD LEMFÖRDER</b>	<b>SEK489.65</b>
<b>4</b>	<b>5540111</b>	<b>COUNTER NUT TRACK ROD LEFT HAND THREAD</b>	<b>SEK29.14</b>
<b>4</b>	<b>5540112</b>	<b>COUNTER NUT TRACK ROD RIGHT HAND THREAD</b>	<b>SEK29.14</b>
<b>5</b>	<b>5511050</b>	<b>STEERING BOX CASING BURMAN MONTREAL</b>	<b>SEK8,569.89</b>
<b>6</b>	<b>1770310</b>	<b>LOCKING TAB STEERING WHEEL UNTIL 1985</b>	<b>SEK57.17</b>
<b>7</b>	<b>1770320</b>	<b>NUT STEERING WHEEL - 1900, 750/101, 102/106, 105/ 115 UNTIL 1985</b>	<b>SEK204.10</b>

<b>1</b>	<b>8830010</b>	<b>SET WIPER BLADES MONTREAL STAINLESS STEEL</b>	<b>SEK698.47</b>
<b>2</b>	<b>8810010</b>	<b>WIPER WASHER RESERVOIR MONTREAL</b>	<b>SEK1,922.66</b>
<b>3</b>	<b>8810020</b>	<b>LID FOR WIPER WATER RESERVOIR MONTREAL</b>	<b>SEK289.16</b>
<b>4</b>	<b>8810210</b>	<b>WINDSHIELD WASHER FOOT PUMP</b>	<b>SEK757.85</b>
<b>5</b>	<b>8800820</b>	<b>WASHER JET CHROME 2-JETS (750/101)</b>	<b>SEK150.41</b>



**1 9811050 BATTAINI CAP FOR JACK TOP ALFA ROMEO 105 SERIES**

**SEK197.58**



\*das Bild zeigt eine Stretchshell Decke in schwarz

<b>1</b>	<b>9111180</b>	<b>CARCOVER MADE TO MEASURE ALFA ROMEO MONTREAL WITH BADGE, RED</b>	<b>SEK1,970.53</b>
<b>2</b>	<b>9116460</b>	<b>CAR COVER ALFA ROMEO MONTREAL, RED</b>	<b>SEK1,387.50</b>
<b>2</b>	<b>9116470</b>	<b>CAR COVER ALFA ROMEO MONTREAL, BLUE</b>	<b>SEK1,387.50</b>
<b>2</b>	<b>9116480</b>	<b>CAR COVER ALFA ROMEO MONTREAL, GREEN</b>	<b>SEK1,387.50</b>
<b>2</b>	<b>9116490</b>	<b>CAR COVER ALFA ROMEO MONTREAL, BLACK</b>	<b>SEK1,387.50</b>

<b>1</b>	<b>9822260</b>	<b>BATTERY CHARGER AB-4 ABSAAR</b>	<b>SEK553.89</b>
<b>2</b>	<b>9822250</b>	<b>BATTERY LIFE SAFER</b>	<b>SEK448.86</b>
<b>3</b>	<b>8701130</b>	<b>BATTERY SWITCH / MASS POLE CLAMP</b>	<b>SEK92.13</b>

