

ALFA 147

All prices including tax, delivery costs are extra

Table Of Content

BODY	6
MIRROR	6
FRONT LIGHTS	7
REAR LIGHTS	8
BODYPANELS	9
BUMPER/GRILLE/PANEL	10
WIND DEFLECTOR	11
CAR COVER	12
ENGINE	13
V-BELTS	13
TS 16V	13
3.2 V6 24V/GTA	14
1.9 JTD 8V	15
1.9 JTD 16V	16
FUEL SYSTEM	17
TS 16V	17
FUEL PUMP	17
3.2 V6 24V/GTA	18
FUEL PUMP	18
1.9 JTD 8V	19
FUEL PUMP	19
1.9 JTD 16V	20
FUEL PUMP	20
ENGINE GASKETS	21
TS 16V	21
GASKETS ENGINE	21
HAED SET	22
HEAD SCREW SET	23
3.2 V6 24V/GTA	24
GASKETS ENGINE	24
HEAD SET	25
FULL SET	26
HEAD SCREW SET	27
1.9 JTD 8/16V	28
GASKETS ENGINE	28
HEAD SET	29
HEAD GASKET	30
HEAD SCREW SET	31
REINZ UNIVERSAL	32
COOLING SYSTEM	33
TS 16V	33
RADIATOR	33
THERMOSTAT	34
WATERPUMP	35
3.2 V6 24V/GTA	36

RADIATOR	36
THERMOSTAT	37
WATERPUMP	38
1.9 JTD 8/16V	39
RADIATOR	39
THERMOSTAT	40
WATERPUMP	41
ENGINE MOUNT	42
TS 16V	42
3.2 V6 24V/GTA	43
1.9 JTD 8/16V	44
VALVE GEAR	45
TS 16V	45
CAMSHAFT	45
VALVE MECHANISM	46
TIMINGBELT	47
3.2 V6 24V/GTA	48
CAMSHAFT	48
VALVE MECHANISM	49
TIMINGBELT	50
1.9 JTD 8V	51
CAMSHAFT	51
VALVE MECHANISM	52
TIMINGBELT	53
1.9 JTD 16V	54
CAMSHAFT	54
VALVE MECHANISM	55
TIMINGBELT	56
FILTER	57
TS 16V	57
3.2 V6 24V/GTA	58
1.9 JTD	59
EXHAUST SYSTEM	60
EXHAUST SYSTEM	60
TS 16V	60
3.2 V6 24V/GTA	61
1.9 JTD 8/16V	62
SPORT EXHAUST SYSTEM	63
1.9 JTD 8/16V	63
LAMBDA PROBE	64
TS 16V	64
3.2 V6 24V/GTA	65
DRIVETRAIN	66
DRIVESHAFT	66
TS 16V	66
1.9 JTD 8V	67
1.9 JTD 16V	68

3.2 V6 24V/GTA	69
CLUTCH	70
CLUTCH SET 1.6/2.0 TS	70
SLEEVE BEARING 1.6/2.0 TS	71
CLUTCH SET 3.2 V6 24V/GTA	72
GUIDE BUSH f. SLEEVE BEARING 3.2 V6 24V/	73
CLUTCH SET 1.9 JTD 16V	74
SLEEVE BEARING 1.9 JTD 8V	75
CLUTCH SET 1.9 JTD 16V	76
GUIDE BUSH f. SLEEVE BEARING 1.9 JTD 16V	77
CLUTCH ACTUATION	78
TS 16V	78
3.2 V6 24V/GTA	79
1.9 JTD 8/16V	80
SUSPENSION	81
STRUT TS 16V	81
STRUT 3.2 V6 24V/GTA	82
STRUT 1.9 JTD 8/16V	83
ATTACHMENT FRONT	84
ATTACHMENT REAR	85
WHEEL BEARING	86
REAR STABILIZER	87
STEERING	88
STEERING PARTS	88
STEERING RACK	89
BRAKE	90
BRAKEDISKS	90
BRAKEPADS FRONT	91
BRAKEPADS REAR	92
CALIPER FRONT	93
CALIPER REAR	94
BRAKE SERVO/BRAKE MASTER CYL.	95
BRAKE HOSES	96
BRAKE CABLE	97
ELECTRIC	98
ENGINE ELECTRIC	98
IGNITION SYSTEM TS	98
IGNITION SYSTEM GTA	99
STARTER/ALTERNATOR TS	100
STARTER/ALTERNATOR GTA	101
STARTER/ALTERNATOR 1.9 JTD 8V	102
STARTER/ALTERNATOR 1.9 JTD 16V	103
INTERIOR	104
FOOT MAT	104
ACCESSORIES	105
BATTERY CHARGERS	105
FOOT MAT	106

Außenspiegel/Mirrors 147



1. 140 6671
links/left

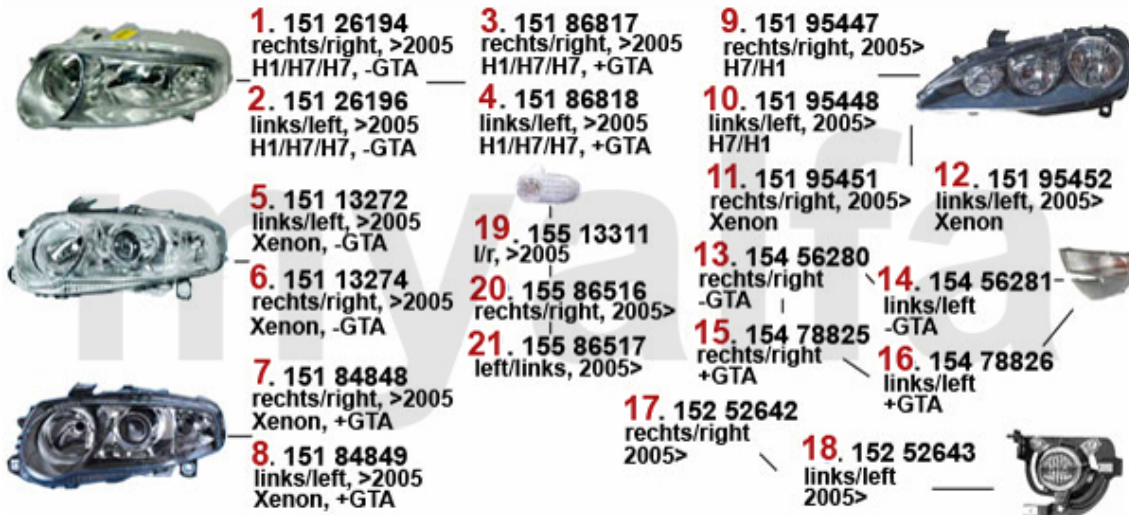
2. 140 6672
rechts/right

3. 141 17905
rechts/right

4. 141 17906
links/left

1	1406671	Außenspiegel links 147 elektrisch b eheizt,mit Sensor,grundiert	On request
2	1406672	Außenspiegel rechts 147 elektrisch beheizt,mit Sensor,grundiert	SEK2,361.11
3	14117905	REPLACEMENT GLASS FOR RIGHT OUTER MIRROR 147,NUOVO GT	On request
4	14117906	REPLACEMENT GLASS FOR LEFT OUTER MIRROR 147,NUOVO GT	On request

Beleuchtung/Lighting 147 vorne/front



1	15126194	OE. 46826194 HEADLIGHT RIGHT 147	SEK1,795.56
2	15126196	OE. 46426196 HEADLIGHT LEFT 147	SEK1,795.56
3	15186817	Hauptscheinwerfer rechts 147 GTA H7 /H1 /H1, Bj.>07.2005	SEK2,786.66
4	15186818	Hauptscheinwerfer links 147 GTA H7/ H1/ H1	SEK2,786.66
8	15184849	OE. 60684849 XENON HEADLAMP 147 GTA LEFT	On request
9	15195447	OE. 60695447 RIGHT HEAD LIGHT 147 FROM 2005 TO (FACELIFT)	SEK3,019.89
10	15195448	OE. 60695448 LEFT HEAD LIGHT 147 FROM 2005> TO (FACELIFT)	SEK3,019.89
11	15195451	HEADLAMP XENON OE: 60695451	SEK8,361.21
12	15195452	Xenon Hauptscheinwerfer 147 links B j. 05> (Facelift)	SEK8,361.21
13	15456280	Blinkeuchte rechts 147	SEK378.93
14	15456281	Blinkeuchte links 147	SEK378.93
15	15478825	Blinkeuchte 147 GTA VR	On request
16	15478826	Blinkeuchte 147 GTA VL	On request
17	15252642	OE. 156052642 FOG LAMP	SEK1,037.71
18	15252643	OE. 156052643 FOG LAMP	On request
19	15513311	Zusatzblinkeuchte 147	On request
20	15586516	Zusatzblinkeuchte 147/156 rechts 2004> (Facelift)	On request
21	15586517	Zusatzblinkeuchte 147/156 links 2004>, (Facelift)	On request

Beleuchtung/Lighting 147 hinten/rear



1. 153 56347
rechts, außen/
right outer

3. 153 56349
links, außen/
left, outer



2. 153 56348
rechts, innen/
right inner

4. 153 56346
links, innen/
left, inner



5. 156 86572



6. 155 43133

1	15356347	RIGHT OUTER REAR LIGHT 147	SEK1,107.64
2	15356348	Rückleuchte rechts 147 (innen)	SEK425.55
3	15356349	OUTER LEFT REAR LIGHT 147	SEK1,107.64
4	15356346	Rückleuchte links 147 (innen)	On request
5	15686572	LICENSE PLATE LIGHT 147, NUOVOGT	SEK346.88
6	15543133	OE. 46743133 TAILLAMP	SEK530.58

Karosserieteile/Body Parts 147



1	1136121	HOOD 147 >11.02	On request
2	11314467	OE. 51714467 HOOD BONNET NUOVO GT	SEK8,220.11
3	11393995	OE. 60693995 BONNET 147	SEK4,652.15
4	11839202	Gasfeder f. Motorhaube 147/Nuovo GT	On request
5	11142684	OE. 46548131 UPPER FRONT PANEL	SEK1,270.95
6	11193941	OE. 60693941 FRONTPANEL	SEK2,553.42
7	11145191	Querträger unter Kühler 147 Bj. >05 Nuovo GT Bj. >07.04	On request
8	11193960	OE. 60693960 CROSS BAR	On request
9	1126101	FRONT WING LEFT OE: 46547315	SEK2,553.42
10	1126102	FRONT WING RIGHT OE: 46547294	On request
11	11294120	OE. 60694120 FENDER 147 FR	SEK2,798.31
12	11294119	OE. 60614119 FENDER 147 FR	SEK2,798.31
13	11278765	OE. 60678765 FRONT FENDER	On request
14	11278758	OE. 60678758 FRONT FENDER RIGHT 147 GTA	On request
15	11871551	OE. 50500057 GAS SPRING	On request

Stoßstangen/Bumpers 147



4. 132 56597
>2005
5. 132 58920
2005-07



1. 131 9900 >2005 -GTA
2. 131 39013 2005> -GTA



3. 131 40618 +GTA

6. 136 58973



7. 136 22713

8. 117 57503

9. 131 6361 >2005 -GTA

10. 131 57243 2005> -GTA

11. 131 40625 +GTA



1	1319900	OE. 735290491 FRONTBUMPER	SEK2,670.11
2	13139013	Stoßfänger 147 vorne (Impression,Pr ogression,Distinctive) Bj. 05> (Fac elift)	SEK3,719.47
3	13140618	OE. 156040618 FRONT BUMPER	On request
4	13256597	OE. 46556597 GRILLE	On request
5	13258920	OE. 156058920 GRILLE 147 2005-07	SEK1,107.64
6	13658973	OE. 46558973 EMBLEM	SEK846.51
7	13622713	OE. 46822713 ORNAMENT	SEK921.02
7	1360290	EMBLEM COVER 75MM SELF-ADHESIVE	SEK208.68
8	11757503	OE. 46557503 LOCK f. BACK	On request
9	1316361	Stoßfänger hinten 147 Bj. >05	SEK1,543.73
10	13157243	OE. 156057243 REAR BUMPER	SEK4,185.81
11	13140625	OE. 156040625 REAR BUMPER 147	On request

Seitenwindabweiser/Draft Deflector 147



1	1902029	Seitenwindabweiser 147 2-türig	SEK1,037.71
1	1902026	Seitenwindabweiser 147 4-türig (nur für die vord. Türen)	SEK1,037.71
1	1902027	Seitenwindabweiser 147 4-türig für hintere Türen	SEK1,037.71

Car Cover 147

1. 911 109 0
rot/red

2. 911 275 0
blau/blue

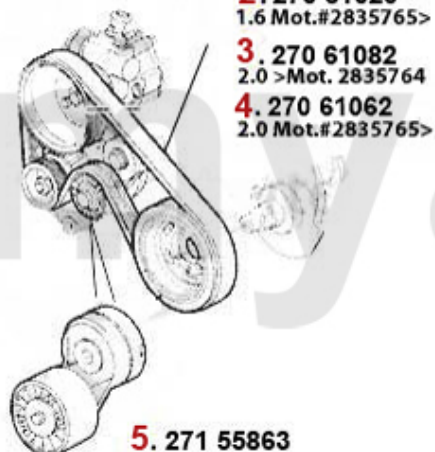


1 9111090 CAR COVER ECOLINE SPIDER 105/115 AND GT BERTONE, RED

SEK687.92

Keilriemen/V-Belt 147

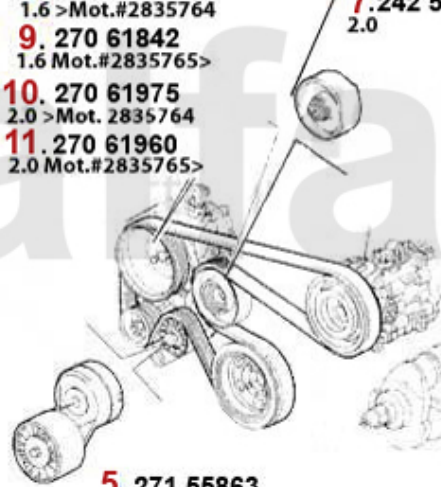
ohne/without
Klimaanlage/AC:



- 1. 270 61045**
1.6 >Mot.#2835764
- 2. 270 61020**
1.6 Mot.#2835765>
- 3. 270 61082**
2.0 >Mot. 2835764
- 4. 270 61062**
2.0 Mot.#2835765>

5. 271 55863

mit/with
Klimaanlage/AC:

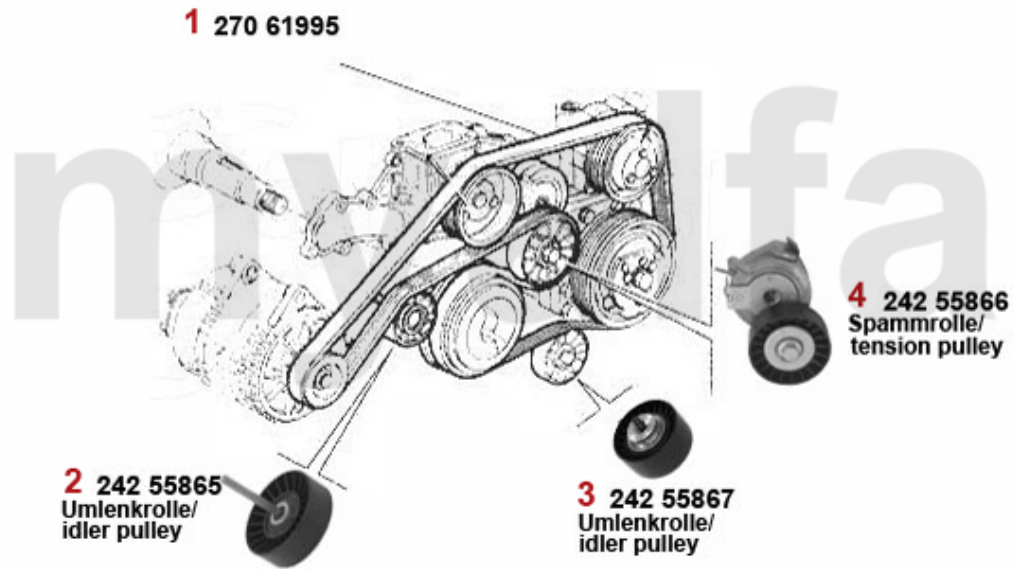


- 6. 242 55849**
1.6
- 7. 242 55848**
2.0
- 8. 270 61855**
1.6 >Mot.#2835764
- 9. 270 61842**
1.6 Mot.#2835765>
- 10. 270 61975**
2.0 >Mot. 2835764
- 11. 270 61960**
2.0 Mot.#2835765>

5. 271 55863

1	27061045	Keilrippenriemen 6PK1045 145/6 Bj. 97>,155,156,gtv&spider(916) 1.4/1.6 /1.8 TS 16V ohne K	SEK234.35
2	27061020	Keilrippenriemen 6PK1030 147 TS (ohne Klima) Mot.# 2835764>	SEK248.36
3	27061082	Keilrippemriemen 6PK1082 145/6 2.0 TS 16V,147 2.0 TS/JTS,156/166 2.0 T S,gtv/spider (916)	SEK293.87
4	27061062	OE. 60676136 POLY-V BELT	SEK262.38
5	27155863	OE. 60814110 TENSIONER	SEK577.20
6	24255849	Umlenkrolle Keilrippenriemen 145/6/7,155/6,gtv/spider (916) 1.4/1.6/1.8 TS (mit Klima)	SEK460.51
7	24255848	OE. 60602136 IDLE PULLEY	SEK578.31
8	27061855	Keilrippenriemen 6PK1855 145/6 1.4/ 1.8 TS 16V Bj. 97>,1.6 TS,1.6/1.8 T S 16V,gtv/spider 1	SEK335.78
9	27061842	Keilrippenriemen 6PK1842 145/6 1.8 TS mit Klima,155 1.6/1.8 TS mit Kli ma,Nuovo GT,Generat	SEK359.09
10	27061975	OE: 71753673 BELT	SEK329.95
11	27061960	OE. 60653030 V-BELT	SEK477.99

Keilriemen/V-Belts 147 3.2 V6 24V/GTA



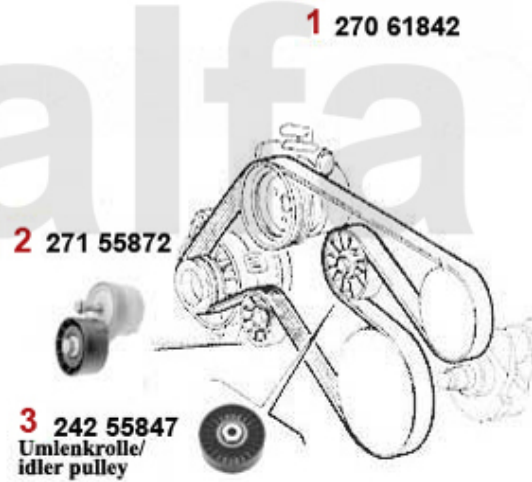
1	27061995	OE. 60626658 V-BELT	SEK410.42
2	24255865	OE. 55190054 IDLE PULLEY	SEK687.92
3	24255867	OE. 55190052 IDLE PULLEY	SEK559.72
4	24255866	OE. 55190053 TENSIONER	SEK1,499.47

Keilriemen/V-Belt 147 1.9 JTD 8V

ohne/without/
Klimaanlage/AC:

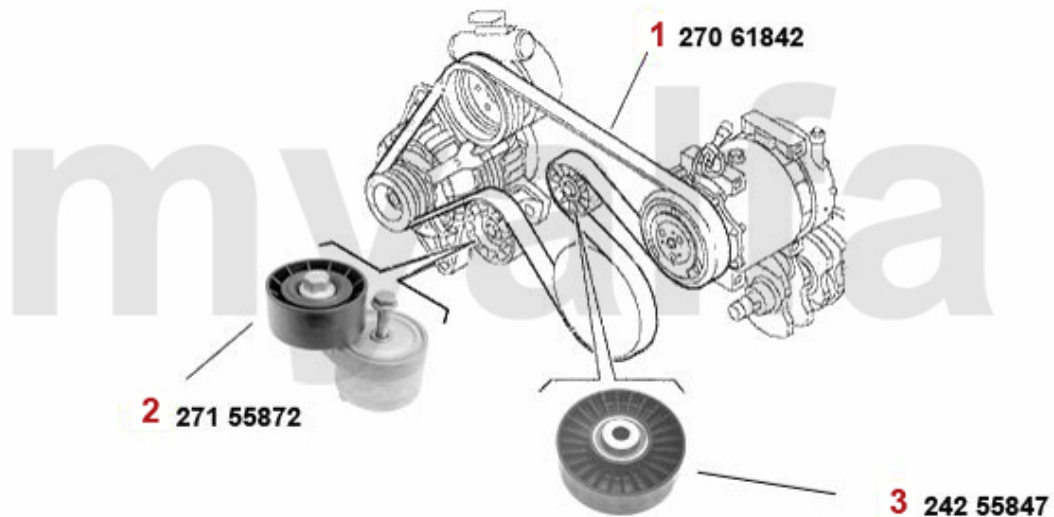


mit/with
Klimaanlage/AC:



1	27061035	Keilrippenriemen 6PK1035 145/6,156, 147 1.9 JTD ohne Klima	SEK254.19
2	27155872	Spannarm Keilrippenriemen 145/6/7, 156 1.9 JTD (81/85KW mit/ohne Klima)	SEK493.26
3	24255847	Umlenkrolle f. Keilrippenriemen 145 /6,147,156 1.9 JTD mit Klima	SEK357.98
4	27061842	Keilrippenriemen 6PK1842 145/6 1.8 TS mit Klima,155 1.6/1.8 TS mit Klima,Nuovo GT,Generat	SEK359.09

Keilrippenriemen 147 JTD 16V



- | | | | |
|----------|-----------------|--|------------------|
| 1 | 27061842 | Keilrippenriemen 6PK1842 145/6 1.8 TS mit Klima,155 1.6/1.8 TS mit Klima,Nuovo GT,Generat | SEK359.09 |
| 2 | 27155872 | Spannarm Keilrippenriemen 145/6/7, 156 1.9 JTD (81/85KW mit/ohne Klima) | SEK493.26 |
| 3 | 24255847 | Umlenkrolle f. Keilrippenriemen 145 /6,147,156 1.9 JTD mit Klima | SEK357.98 |

Kraftstoffpumpe/Fuel Pump 147 TS



1 2536811 OE. 51700804 FUEL PUMP 147 1.6/1.8/2.0 TS 16V, 3.2 GTA

SEK3,486.23

Kraftstoffpumpe/Fuel Pump 147 GTA



1 2536811 OE. 51700804 FUEL PUMP 147 1.6/1.8/2.0 TS 16V, 3.2 GTA

SEK3,486.23

Kraftstoffpumpe/Fuel Pump 147 1.9 JTD 8V



1. 253 6565
CF 3

2. 253 33708
CF 4

1	25333708	OE. 46833708 FUEL PUMP 147 1.9 JTD 8V CF4/16V CF3/CF4
2	2536565	OE. 46557116 FUEL PUMP 147 1.9 JTD 8V CF3

SEK2,512.62

SEK2,751.69

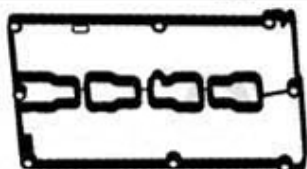
Kraftstoffpumpe/Fuel Pump 147 1.9 JTD 16V



1 25333708 OE. 46833708 FUEL PUMP 147 1.9 JTD 8V CF4/16V CF3/CF4

SEK2,512.62

Dichtungen Motor/Gaskets Engine 147 TS



1. 233 5400

2. 233 8200
30x42x7 mm
Eilnaßseite/ intake side
76 KW Auslaßseite/exhaust side

3. 233 55300
55x68x8 mm
Auslaßseite/exhaust side
- 76 KW

4. 233 59746
76 KW

5. 233 59747
-76 KW

6. 380 2761

7. 233 43800

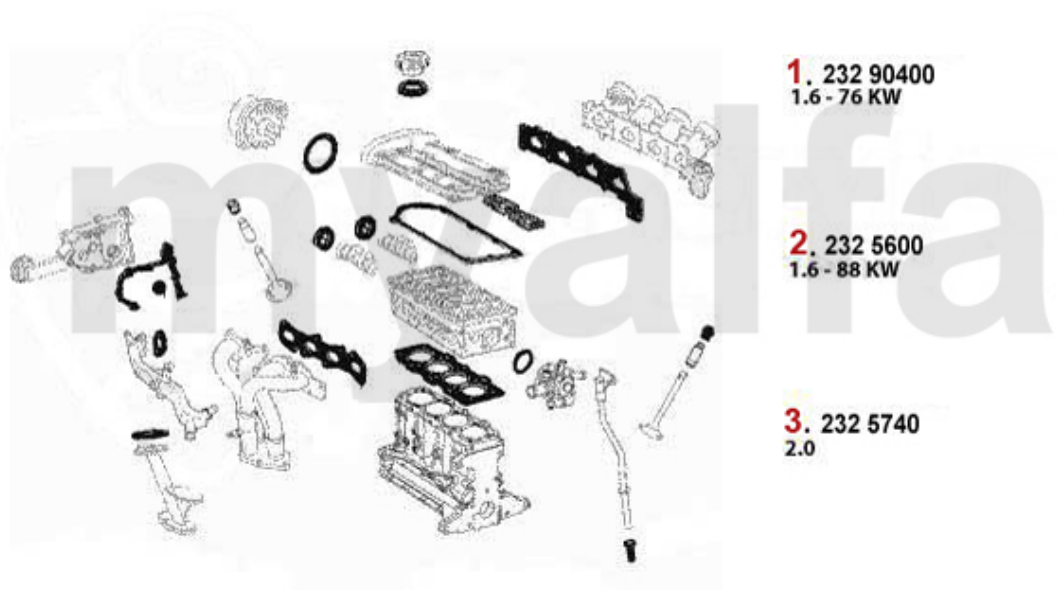


8. 233 800



1	2335400	VALVE COVER GASKET FOR PLASTIC_VALVE COVER 145/6,156,gtv/Spider (916) FROM 04.98 ON	SEK416.25
2	2338200	OE. 71753052 SEALING GASKET	SEK204.10
3	23355300	SHAFT SEAL CAMSHAFT 145/6,15 5,156 1.6,1.7,1.8,2.0 16V TS	SEK208.68
4	23359746	Ansaugkrümmerdichtung 145/6 1.4 TS # 3174687>,147 1.6 TS 76 KW	SEK214.51
5	23359747	Ansaugkrümmerdichtung 145/6,147,155 156,166,gtv/spider (916),Nuovo GT # 0165088> TS 16V	SEK293.87
6	3802761	OE. 55194028 HEATERGASKET	SEK285.69
7	23343800	OILSEAL OE:40005010	SEK145.69
8	233800	Simmerring Kurbelwelle hinten (Schwungscheibe) 147 1.6 TS 16V/1.9 JTD Bj. 03 >,156 1.9/2.4	SEK600.51

Kopfdichtsatz/Head Set 147 TS



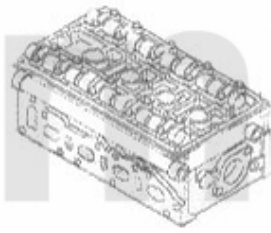
1. 232 90400
1.6 - 76 KW

2. 232 5600
1.6 - 88 KW

3. 232 5740
2.0

1	23290400	OE. 71717683 HEAD SET 1.6 TS ECO	SEK2,156.45
2	2325600	OE. 71717685 HEAD SET	SEK2,087.08
3	2325740	OE. 71717685 HEAD SET 147,156,Nuovo GT 1.8/2.0 TS CF3	SEK2,740.04

Kopfschraubensatz/Head Screw Set 147 TS



1. 228 1600
1.6

2. 228 152080
2.0

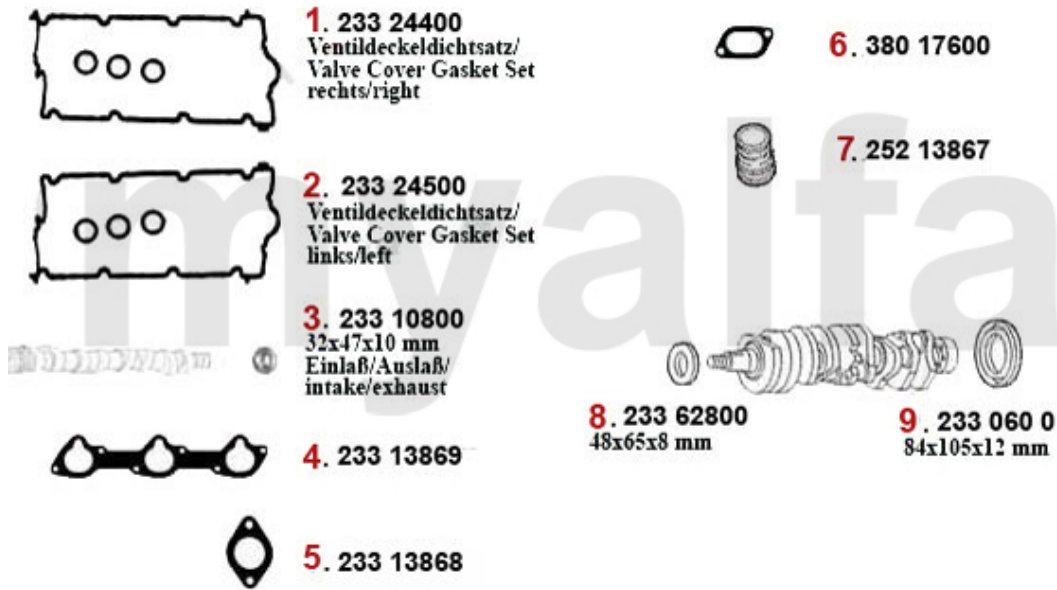
**1 2281600 SET HEAD SCREWS 145/6,1.4/1. 6 TS 16V Bj. 96-01,147 1.6 TS 16V
76/88 KW,156 1.6 TS 16V**

SEK635.48

2 22852080 OE. 7710582 HEAD SCREW SET

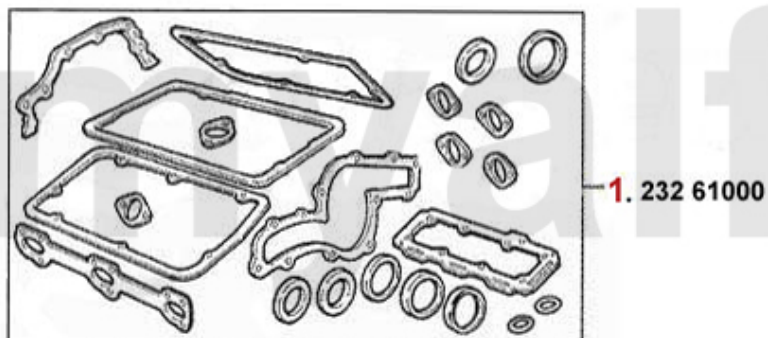
SEK804.47

Dichtungen Motor/Gaskets Engine 147 GTA



1	23324400	O.E. 60609978 VALVE COVER GASKET SET	SEK531.69
2	23324500	O.E. 60609979 VALVE COVER GASKET SET	SEK531.69
3	23310800	Seal for Camshaft #606 10 985/561 03 085	SEK145.69
4	23313869	INTAKE MANIFOLD GASKET 147, 156,164/SUPER,166,GTV/SPIDER (916),NUOVO GT V6 24V	SEK83.39
5	23313868	OE. 60513868 Sealing Gasket	SEK68.82
6	38017600	OE. 60573536 / 60810625 EXHAUST MANIFOLD GASKET	SEK115.44
7	25213867	INTAKE RUBBER 147,156, 164/SUPER, 166, GTV/SPIDER (916), NUOVO GT V6 24V	On request
8	23362800	OE. 60601977 CRANKSHAFT SEALS	SEK192.45
9	2330600	OIL SEAL CRANK SHAFT REAR 84/105/12 SPIDER IE 1990-93 ORIGINAL QUALITY	SEK406.95

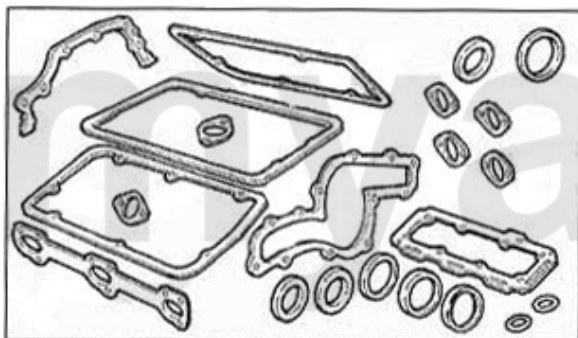
Kopfdichtsatz/Head Set 147 GTA



**1 23261000 HEAD GASKET SET 147,156,166,GTV/Spider (916), NUOVO GT V6 24V/
GTA**

SEK3,381.34

Motordichtsatz/Full Set 147 GTA

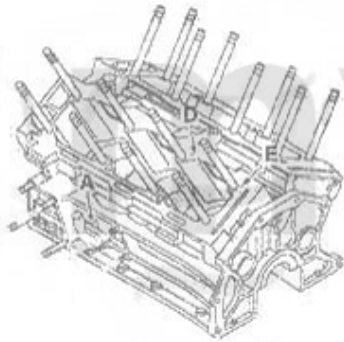


1. 231 74200

1 23174200 *Motordichtsatz 147,156,166,gtv/spider (916),Nuovo GT V6 24V/GTA*

SEK5,001.94

Kopfschraubensatz/Head Screw Set 147 GTA



1. 228 8200

1 2288200 Stud-Set Cylinder Head # 605 13 756

SEK1,365.30

Dichtungen Motor/Gaskets Engine 147 JTD



1	23377600	Ventildeckeldichtung 147,156 1.9 JT D 8V 81/85 KW	On request
2	23314174	VALVE COVER GASKET 147,156, NUOVO GT 1.9 JTD 16V	SEK250.72
3	2338200	OE. 71753052 SEALING GASKET	SEK204.10
4	2332577	Simmerring Nockenwelle 147, 156,166,Nuovo GT 1.9/2.4 JTD 16V/20V	SEK77.01
5	38022700	Abgaskrümmerdichtung 145/6 147,156 1.9 JTD	SEK191.20
6	3802761	OE. 55194028 HEATERGASKET	SEK285.69
7	23341901	Ansaugkrümmerdichtung 145/6 147,156 1.9 JTD	SEK178.43
8	23386000	INTAKE MANIFOLD GASKET 147,156NUOVO GT 1.9 JTD 16V	SEK165.53

Kopfdichtsatz/Head Set 147 1.9 JTD



Achtung/Attention:
Ohne Kopfdichtung, Kopfdichtung
bitte separat bestellen!
Without Headgasket, please order it
separate!

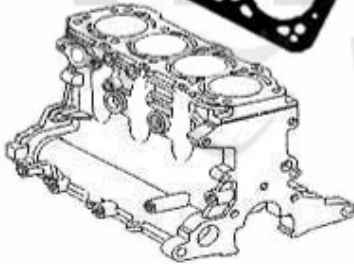
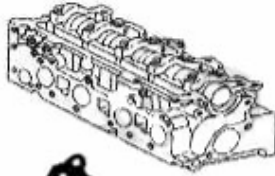
1. 232 1200
8V, > Mot.# 4081111

2. 232 9971
8V, Mot.# 4081112>

3. 232 16700
16V

1	2321200	OE.71718130/71718658 HEAD GASKET SET 147, 156 1.9 JTD 8V 81/85KW >#4081111 WITHOUT CYLINDER HEAD GASKET	SEK825.56
2	2329971	Kopfdichsatz (ohne ZKD) 147,156 1.9 JTD 8V 81/85KW Mot.# 4081111>	SEK687.92
3	23216700	OE.71730124 HEAD GASKET SET 147, 156, Nuovo GT 1.9 JTD 16VWITHOUT CYLINDER HEAD GASKET	SEK1,434.12

Kopfdichtung/Head Gasket 147 1.9 JTD



Achtung/Attention:

Beim Bestellen der Kopfdichtung bitte auf die entsprechende Markierung achten!
Before you order the headgasket, please note the marking!

1 233 23900
8V - 0,82 mm

4 233 52500
16V - 0,82 mm

2 233 23910
8V - 0,92 mm

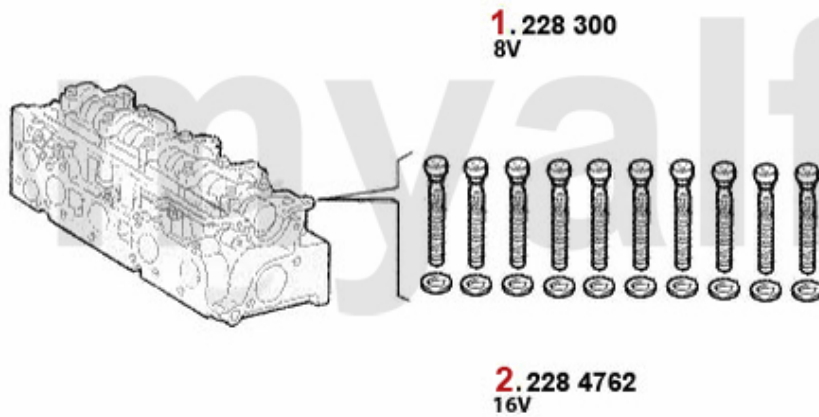
5 233 52510
16V - 0,92 mm

3 233 23920
8V - 1,02 mm

6 233 52520
16V - 1,02 mm

1	23323900	Kopfdichtung 147,156 1.9 JTD 8V 81/ 85KW ACHTUNG: auf Markierung achten 0 Kerben	SEK467.59
2	23323910	OE. 55202010 HEAD GASKET	SEK699.58
3	23323920	Kopfdichtung 147,156 1.9 JTD 8V 81/ 85KW ACHTUNG: auf Markierung achten 2 Kerben	SEK526.97
4	23352500	HEAD GASKET 147,156,NUOVO GT 1.9 JTD 16V - GASKET VERSION WITH 0 NOTCHES	SEK804.47
5	23352510	OE.46771927 HEAD GASKET	SEK710.12
6	23352520	HEAD GASKET 147,156,NUOVO GT 1.9 JTD 16V	SEK748.56

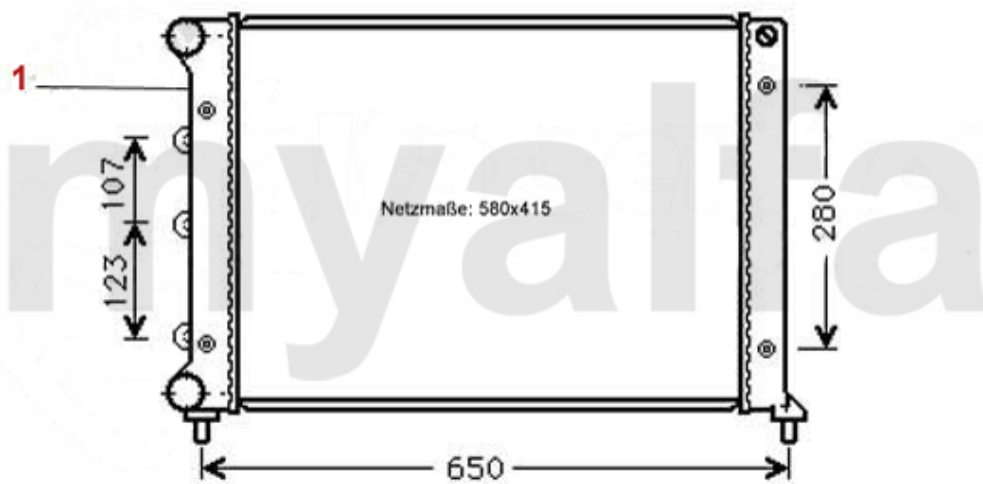
Kopfschraubensatz/Head Screw Set 147 1.9 JTD



- | | | |
|----------|----------------|---|
| 1 | 228300 | Kopfschraubensatz 145/6,147 156 1.9 JTD 8V 74/85KW |
| 2 | 2284762 | OE. 86764762 HEAD SREW SET |

SEK571.37
SEK600.51

Kühler/Radiator 147 1.6/2.0 TS 16V



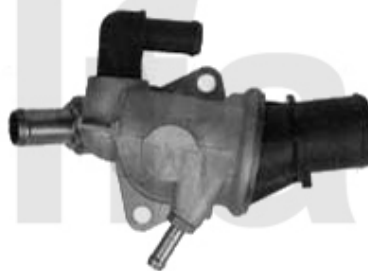
1 26122100 OE. 51702463 RADIATOR

SEK2,670.11

Thermostat 147 TS 16V



1. 263 63619
+1.6 76 KW



2. 263 650688
-1.6 76KW

1 26363619 OE. 60663619 THERMOSTAT 147 1.6 TS 16V 76 KW

On request

2 26350688 OE. 60653946 THERMOSTAT

SEK786.99

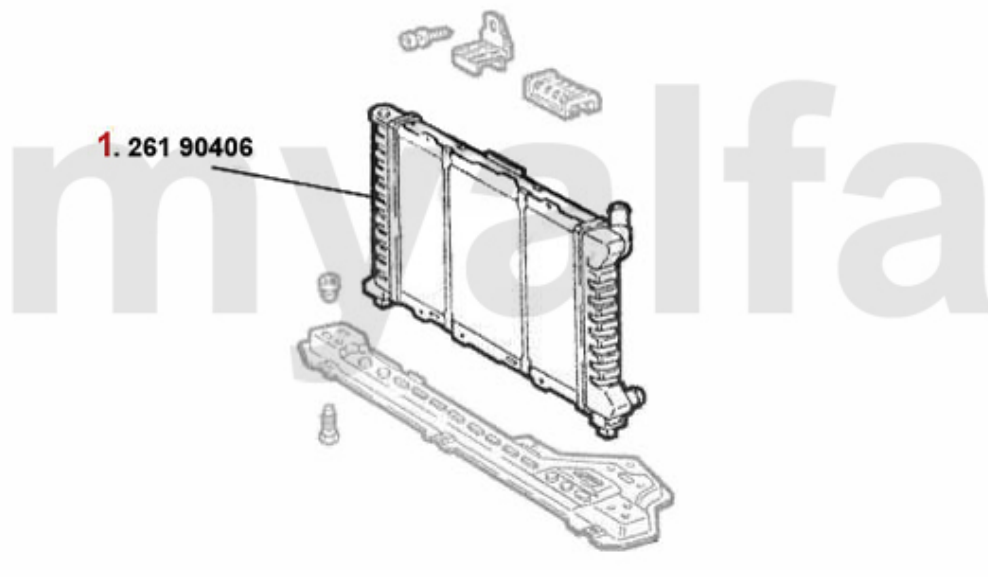
Wasserpumpe/Waterpump 147 1.6/2.0 TS 16V



1 262310 OE. 60586222 WATERPUMP TS 16V

SEK869.82

Kühler/Radiator 147 3.2 V6 24V/GTA

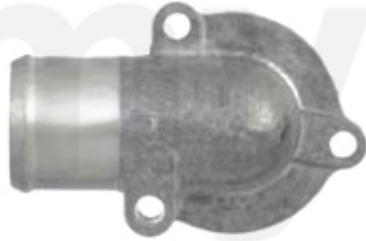


1 26190406 OE. 60690406 RADIATOR 147 3.2 V6 24V/GTA

SEK4,430.70

Thermostat 147 3.2 V6 24V/GTA

1. 263 52403



2



1 26352403 OE. 60652403 THERMOSTAT 3.2 V6 24V/GTA

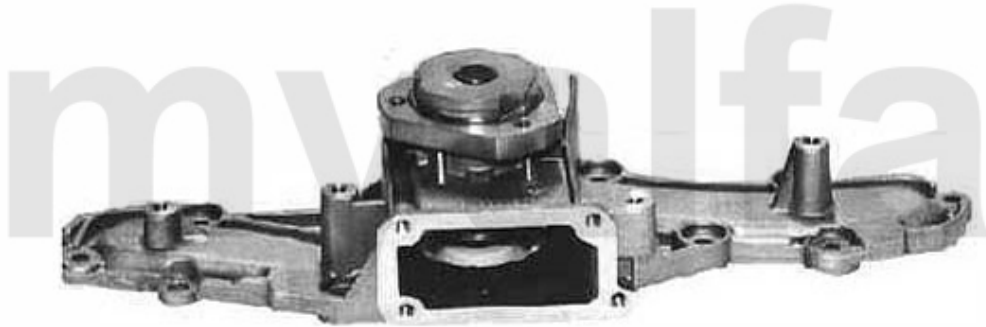
SEK1,037.71

2 26314637 THERMOSTAT INLAY FOR VARIOUS V6 MOTORS

SEK406.95

Wasserpumpe/Waterpump 147 3.2 V6 24V/GTA

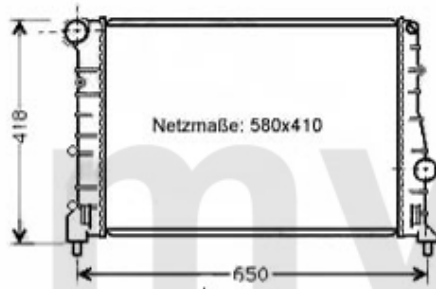
1. 262 81355



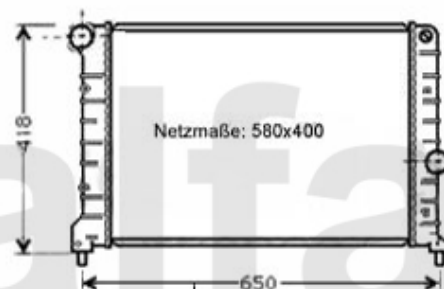
1 26281355 OE. 60816018 WATERPUMP V6 24V

SEK1,842.18

Kühler/Radiator 147 1.9 JTD 8/16V



1. 261 43393
System: Valeo



2. 261 42843
System: Denso

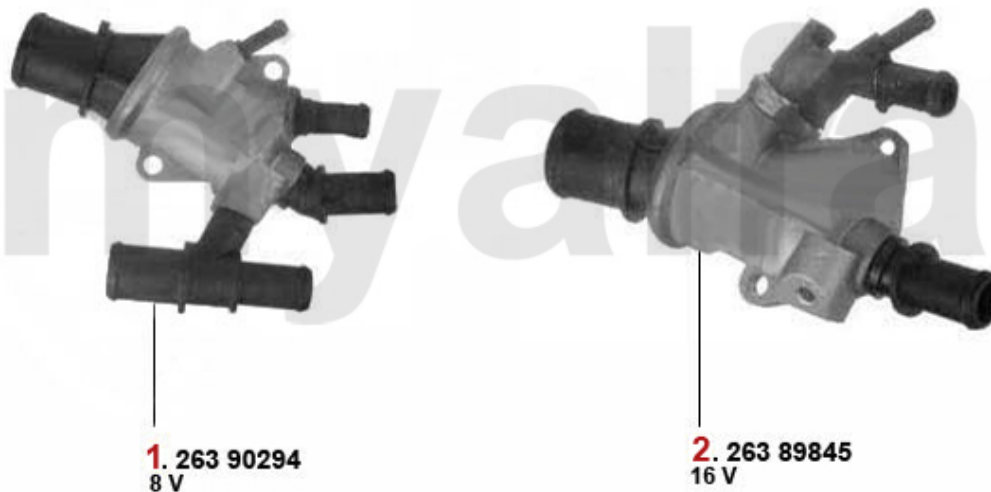
1 26143393 OE. 46743393/46842846 RADIATOR 147 JTD 8/16V

SEK4,592.76

2 26142843 OE. 46842843 RADIATOR 147 JTD 8/16V SYSTEM: DENSO

SEK2,096.37

Termostato 147 1.9 JTD 8/16V



1 26390294 OE. 46790294 THERMOSTAT 147 1.9 JTD

SEK1,270.95

2 26389845 OE. 55189845 THERMOSTAT 147, Nuovo GT 1.9 JTD 16V

On request

Wasserpumpe/Waterpump 147 1.9 JTD 8/16V



1. 262 15970
8V

2. 262 4051
16V

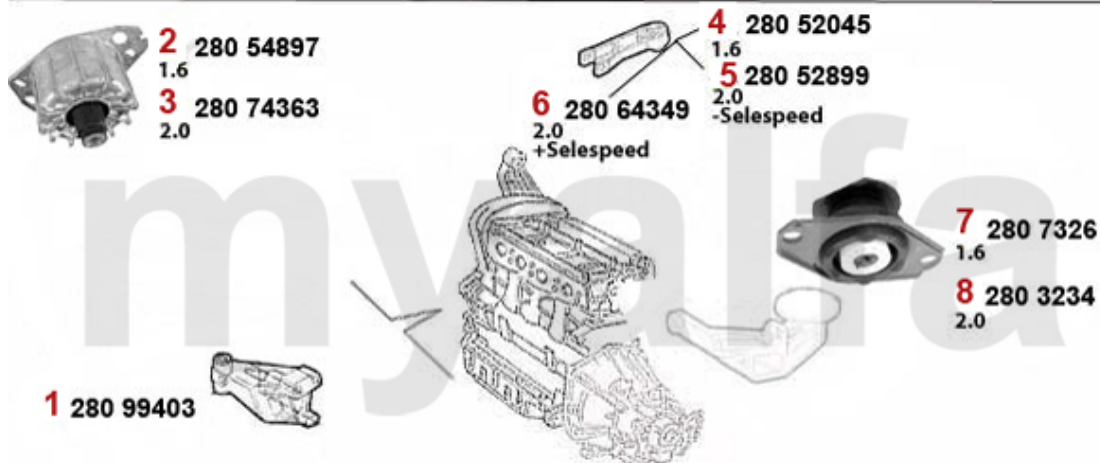
1 26215970 OE. 46515970 WATER PUMP 1.9/2.4 8/10 V

SEK706.52

2 2624051 OE. 55209993 WATERPUMP 1.9/2.4 16/20 V

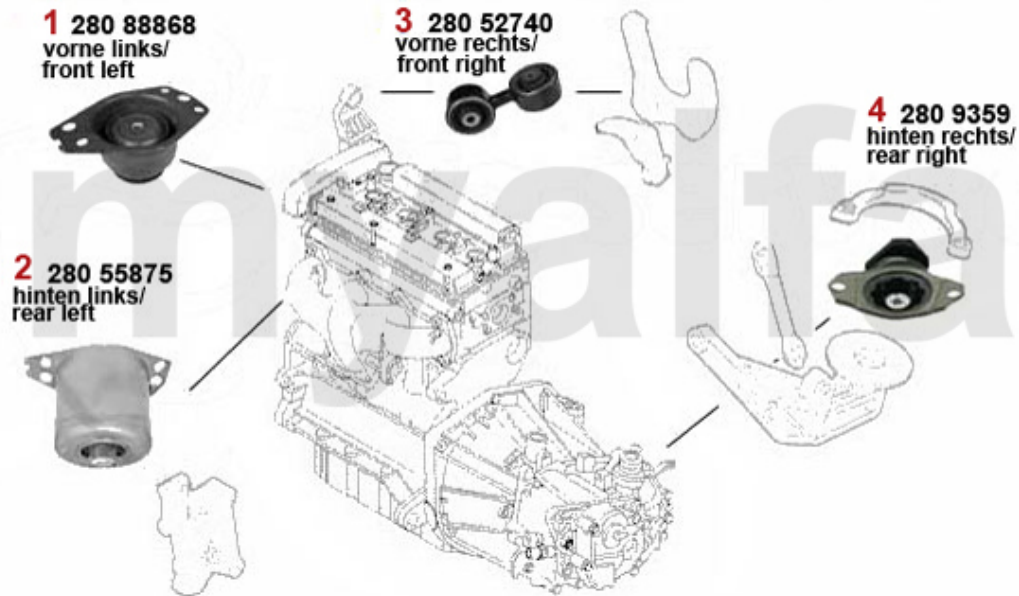
SEK907.15

Motorlager/Engine Mount 147 TS



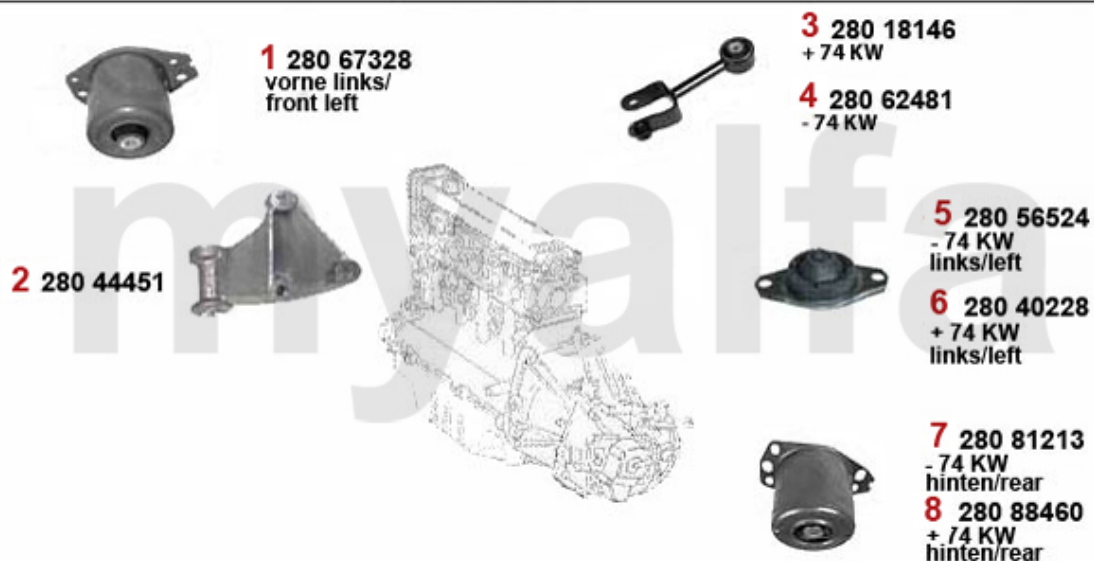
1	28099403	OE. 60672234/60599403 ENGINE MOUNT	SEK2,203.63
2	28054897	OE. 46554897 ENGINE MOUNT 147	SEK792.82
3	28074363	OE. 60674363 ENGINE MOUNT FL 147,156/SW, Nuovo GT 2.0	On request
4	28052045	OE. 46752045 ENIGINE MOUNT	On request
5	28052899	OE. 60652899 ENGINE MOUNT 145/6 2.0 TS, 147 all,156, gtv/spider (916) 1998>, Nuovo	SEK460.51
6	28064349	OE. 60664349 ENGINEROD 147, 156/SW,Nouvo GT 2.0 TS/JTS	On request
7	2807326	OE. 46407326 ENGINE MOUNT REAR RIGHT	SEK525.86
8	2803234	OE. 7652240/60808861 ENGINE MOUNT	SEK926.99

Motorlager/Engine Mount 147 GTA



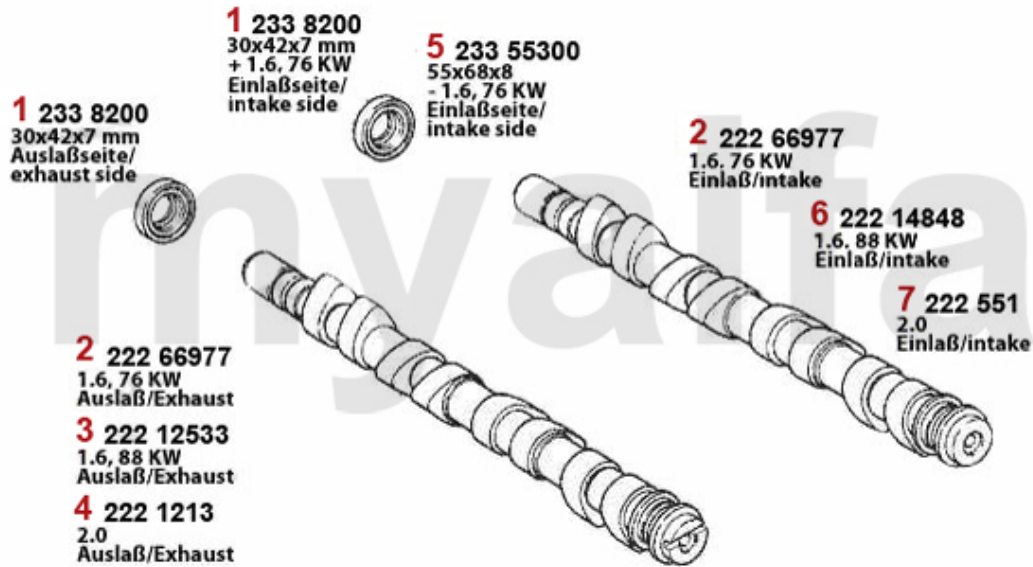
1	28088868	OE. 60655868 ENGINE MOUNT 147,156,Nuovo GT V6 24V/GTA	On request
2	28055875	OE. 60655875 ENGINEMOUNT REAR 147,156, Nuovo GT 3.2 V6	On request
3	28052740	OE. 60652740 ENGINE MOUNT 147,156,Nuovo GT V6 24V/GTA	SEK559.72
4	2809359	OE. 7644686 REAR ENGINE MOUNT	SEK571.37

Motorlager/Engine Mount 147 JTD



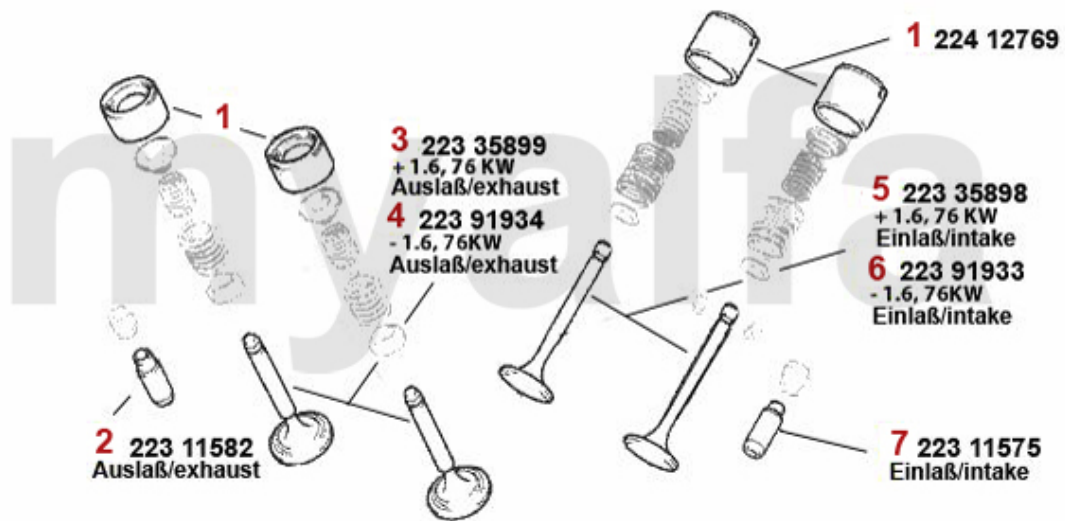
1	28067328	OE. 46467328 ENGINE MOUNT FL 145/6,147, 156,Nuovo GT JTD	SEK1,304.67
2	28044451	OE. 46744451 ENGINE MOUNT 147,156,Nuovo GT 1.9 JTD 8/16V	SEK1,270.95
3	28018146	OE. 51718146 ENGINE MOUNT 147 1.9 JTD 74 KW	SEK516.57
4	28062481	OE. 60662481 ENGINE MOUNT 145/6,147,156, Nuovo GT 1.9	SEK2,273.70
5	28056524	OE. 60656524 ENGINEMOUNT 145/6 1999>, 147,156,Nuovo GT	SEK658.79
6	28040228	OE. 46740228/9 ENGINEMOUNT 147 LEFT 1.9 JTD 8V 74KW	SEK1,504.05
7	28081213	OE. 46781213 ENGINE MOUNT RL 145/6,147, 156,Nuovo GT JTD	SEK777.69
8	28088460	OE. 7782435 ENGINEMOUNT	SEK2,320.32

Nockenwelle/Camshaft 147 TS



1	2338200	OE. 71753052 SEALING GASKET	SEK204.10
2	22266977	Nockenwelle (Einlass/Auslass) 147 1.6 TS 76 KW	On request
3	22212533	OE. 60613942 CAMSHAFT	On request
4	2221213	OE. 60601213 CAMSHAFT	SEK5,001.94
5	23355300	SHAFT SEAL CAMSHAFT 145/6,15 5,156 1.6,1.7,1.8,2.0 16V TS	SEK208.68
6	22214848	Nockenwelle 145/6 1.6 TS 16V # 1650 88>, 156 1.6 TS 16V #84340>	SEK3,369.68
7	222551	OE. 60600551 CAMSHAFT	SEK5,001.94

Ventiltrieb 147 TS



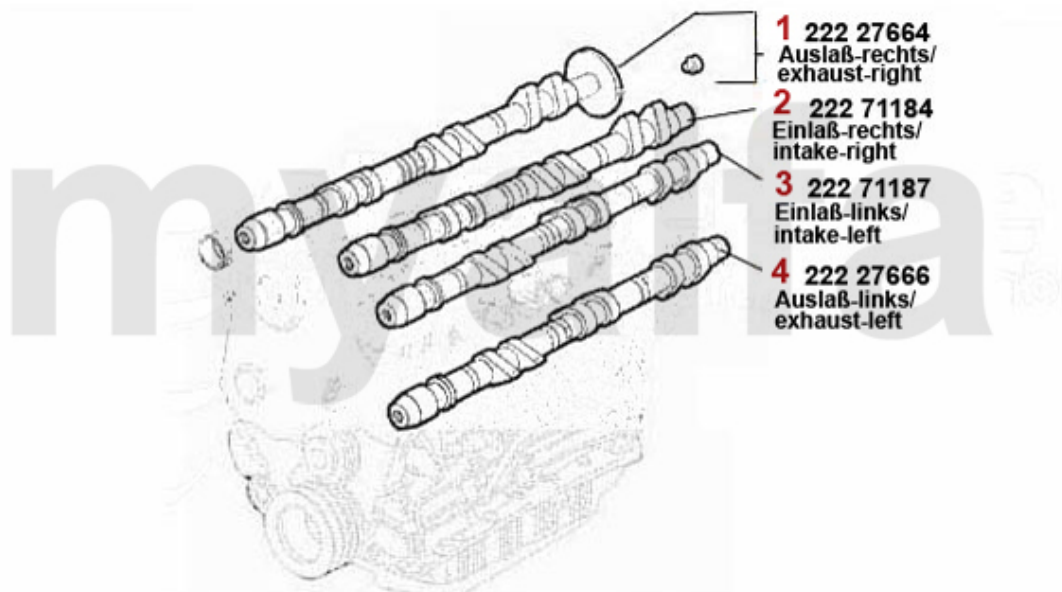
1	22412769	OE.46787055 HYDRAULIC VALVE LIFTER	SEK208.13
2	22311582	Ventilführung Auslass + 0.05 TS 16V	SEK246.00
3	22335899	OE. 7735899 INTAKE VALVE TS 16V	SEK282.22
4	22391934	OE. 60674496 EXHAUST VALVE	On request
5	22335898	OE. 7735898 EXHAUST VALVE TS 16V	SEK285.69
6	22391933	OE. 7766564 INTAKE VALVE	SEK185.37
7	22311575	Ventilführung Einlass +0.05 TS16V	SEK246.00

Zahnriemen/Timingbelt 147 TS



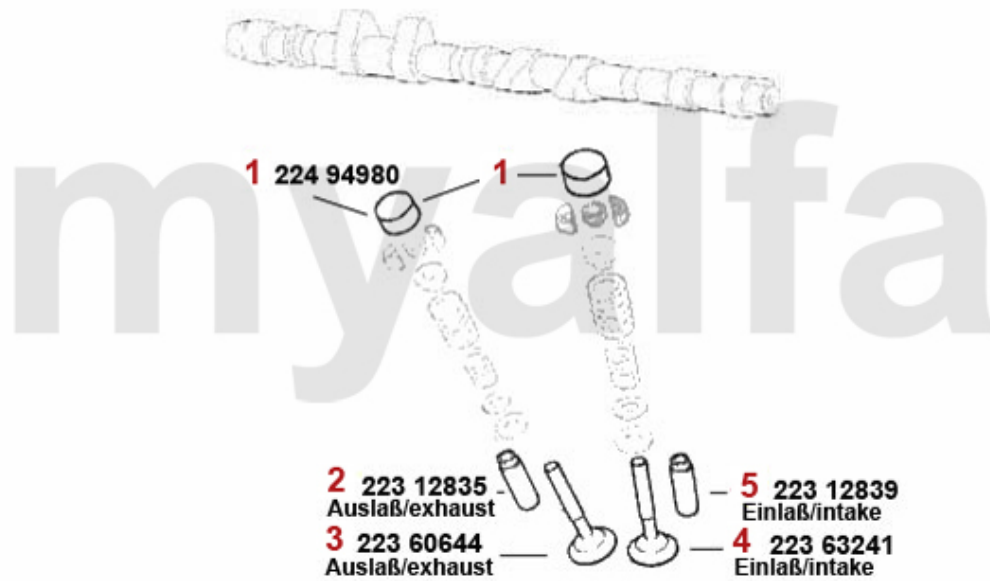
1	24194674	Zahnriemen 163SHPN240H 145/6 1.4 ie 16V TS,147 1.6 16V TS,156 1.6 16V T S Nockenwelle Hoc	SEK501.30
2	24194590	OE. 71719648 TIMING BELT	SEK577.20
3	24255851	OE. 60671573 DEFLECTION PULLEY 1.8 TS 16V 145/6, 147,	SEK390.58
4	24255850	Spannrolle Zahnriemen 145/6 1.4 ie 16V TS,155/6 1.6 ie 16V TS/2.0 JTS/ gtv/spider (916) 2.	SEK900.07
5	24255835	OE. 55192239 IDLER PULLEY 1.8 TS 16V 145/6, 147, 155, 156, 166, gtv/spider (916)	SEK956.13
6	25666199	OE. 71738360/55202772 ADVANCE VARIATOR TS 16V	On request
7	24194591	OE. 60620887 TIMING BELT	SEK804.47
8	24220443	OE. 55221254 TENSION PULLEY	SEK460.51

Nockenwelle/Camshaft 147 GTA



1	22227664	OE. 60627664 CANSHAFT	SEK7,170.74
2	22271184	OE. 60671184 Camshaft R Intake 3.2 V6 24V	On request
3	22271187	OE. 60671187 Camshaft R Intake 3.2 V6 24V	SEK10,831.80
4	22227666	OE. 60627666 CANSHAFT	On request

Ventiltrieb/Valvetrain 147 GTA



1	22464980	OE. 6066480 VALVE TAPPET	SEK406.95
2	22312835	OE. 60612835 VALVE GUIDE	SEK378.93
3	22360644	Exhaust Valve 3.0/3.2 24V	SEK348.68
4	22363241	OE.60560643 INTAKE VALVE 3.0 V6 24V/3.2 GTA,147,156,164, 166, SPIDER/GTV (916),NUOVO GT	SEK338.13
5	22312839	OE. 60605120 VALVE GUIDE	SEK378.93

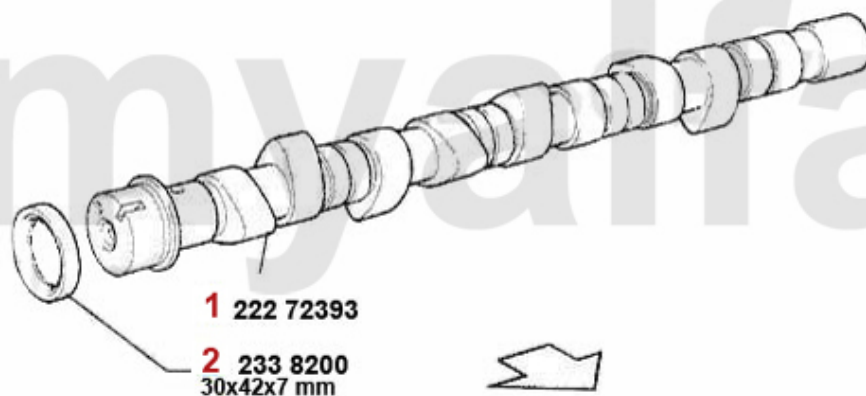
Zahnriemen/Timingbelt 147 GTA



- 1 24255876 OE. 60603056 IDLE PULLEY
- 2 24194741 OE. 60674528 TIMING BELT
- 3 24255875 OE. 55196536 BELTSTRETCHER

SEK1,154.26
SEK1,387.50
SEK1,737.29

Nockenwelle/Camshaft 147 1.9 JTD 8V



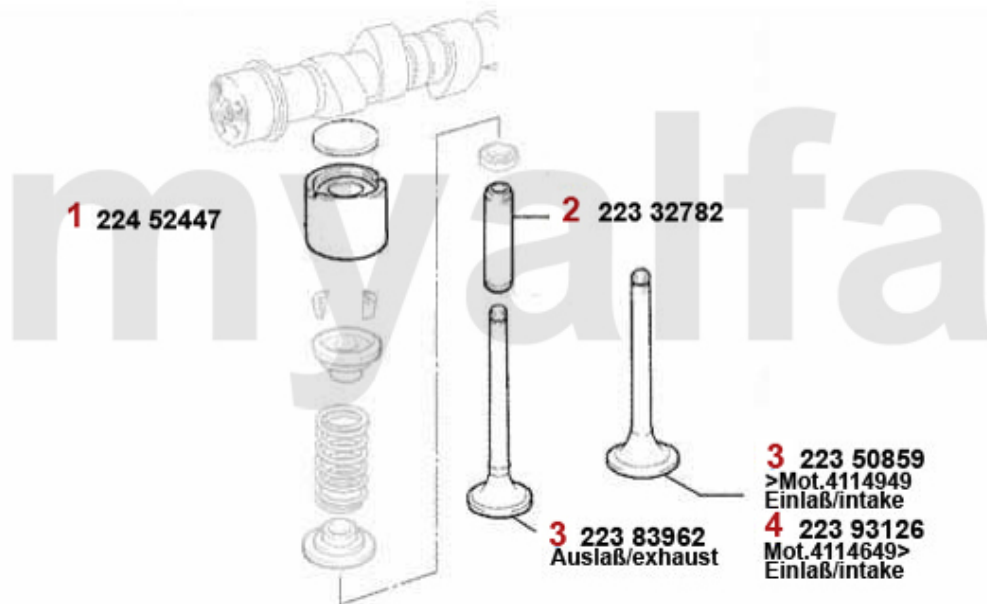
1 22272393 OE. 46772393 Camshaft 1.9 JTD 8V

SEK2,740.04

2 2338200 OE. 71753052 SEALING GASKET

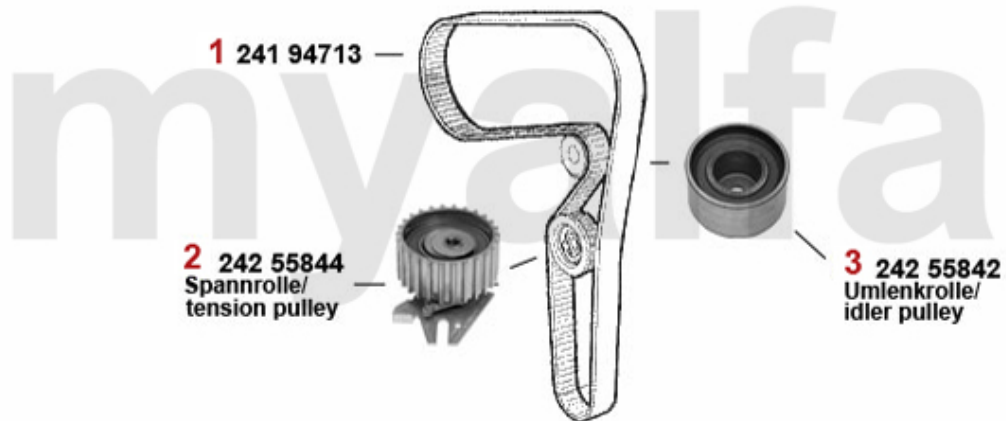
SEK204.10

Ventiltrieb/Valvetrain 147 1.9 JTD 8V



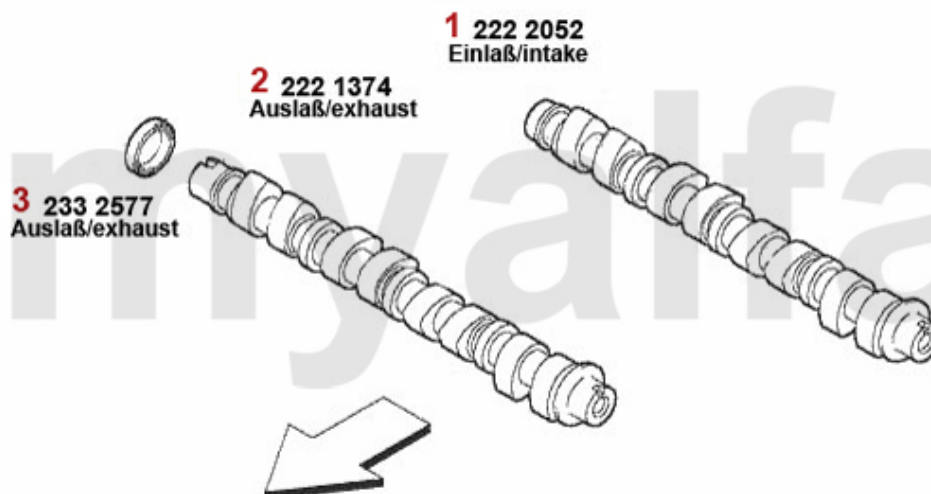
1	22452447	Hydrostößel 145/6,155,156 166 TD/ JTD	SEK184.26
2	22333782	Ventilführung Einlass/Auslass +0.05 JTD 8/10V 145/6,147,156,166	SEK48.98
3	22350859	Ventil-Einlass 145/6,147,156 166 JTD 8/10V	SEK246.00
4	22393126	Ventil-Einlass 147,156,166 JTD8/10V Bj. 6.04>	SEK236.71
5	22383962	Ventil-Auslass 145/6,147,156 166 JTD 8/10V	SEK383.64

Zahnriemen/Timingbelt 147 1.9 JTD 8V



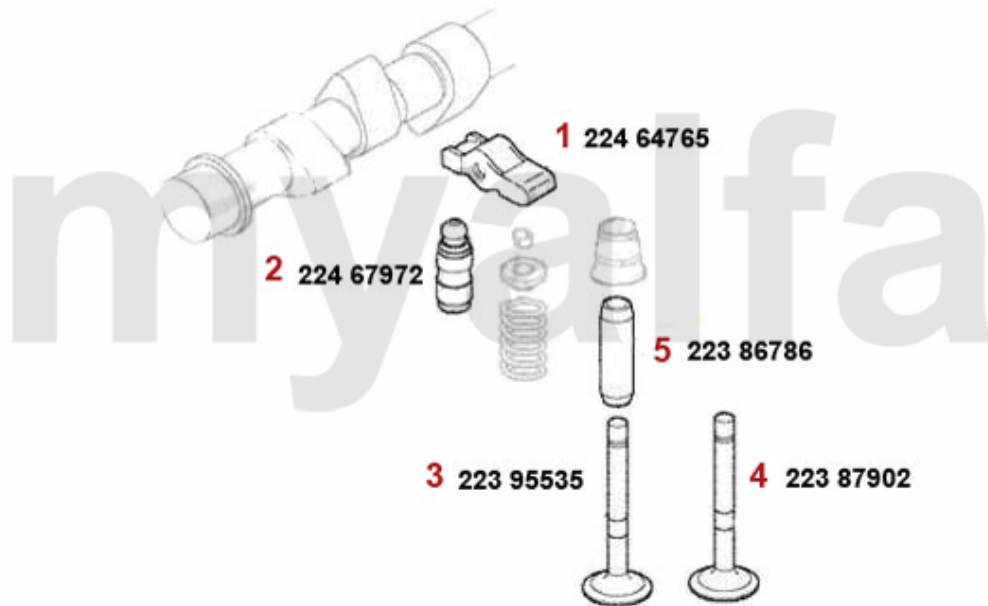
1	24194713	Zahnriemen 190SHPN240H 145/6,156,16 6 1.9/2.4 JTD Nockenwelle,Hochtemperatur-Ausführung	SEK509.49
2	24255844	OE.60813592 TENSIONER PULLEY TIMING BELT	On request
3	24255842	OE. 7763644 IDLER PULLEY	SEK378.93

Nockenwelle/Camshaft 147 1.9 JTD 16V



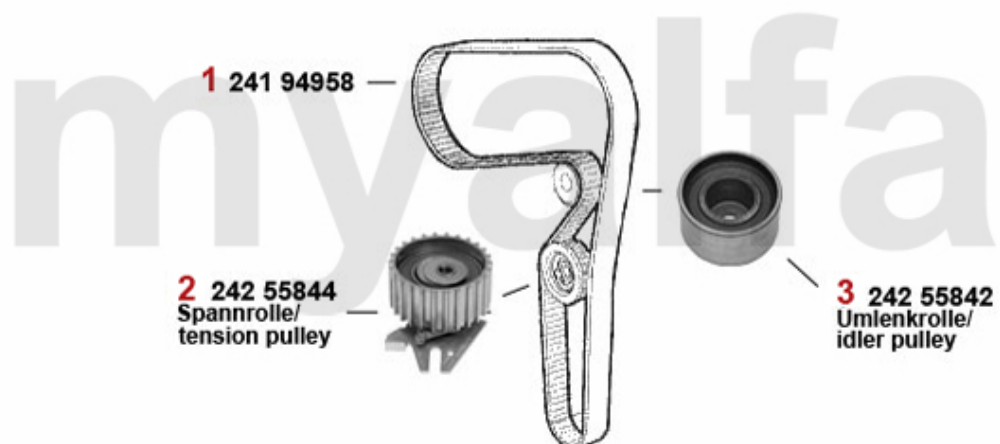
1	2222052	Nockenwelle Einlass 147,156 Nuovo GT 1.9 JTD 16V	SEK2,428.68
2	2221374	CAMSHAFT OUTLET 147,156 NUOVO GT 1.9 JTD 16V	SEK4,652.15
3	2332577	Simmerring Nockenwelle 147, 156,166,Nuovo GT 1.9/2.4 JTD 16V/20V	SEK77.01

Ventiltrieb/Valvetrain 147 1.9 JTD 16V



1	22464765	OE. 55200333	ROCKER 1.9 JTD 16V	SEK291.51
2	22467972	Stössel 147,156,166,Nuovo GT JTD 16/20V		On request
3	22395535	OE. 55195535	Valve Intake JTD 16/20V	SEK221.58
4	22387902	OE. 46787902	Valve-Exhaust JTD 16/20V	SEK234.35
5	22386786	OE. 55186786	Valve Guide Intake/Exhaust JTD 16/20V	SEK156.23

Zahnriemen/Timingbelt 147 1.9 JTD 16V



1 24194958 Zahnriemen 147,156,166,Nuovo GT JTD 16/20V

SEK682.10

2 24255844 OE.60813592 TENSIONER PULLEY TIMING BELT

On request

3 24255842 OE. 7763644 IDLER PULLEY

SEK378.93

Filter 147 TS 16V



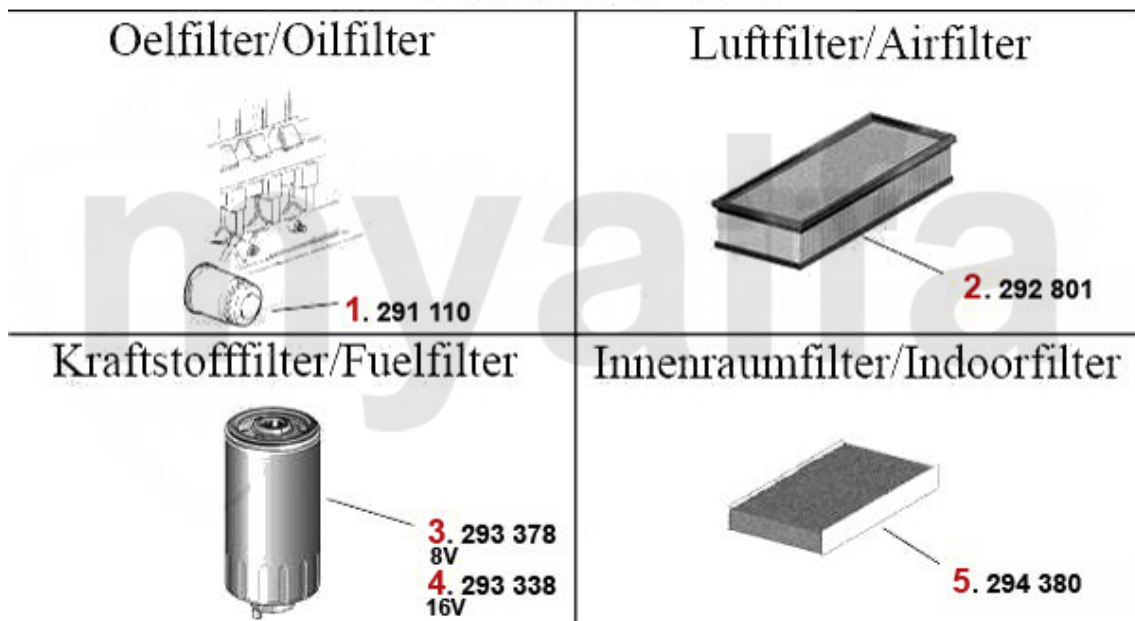
1	291519	OE. 46808398/71736159 OILFILTER	SEK103.79
2	292800	OE. 46741119 AIR FILTER	SEK230.88
3	29356	OE. 60811904 FUEL FILTER	SEK138.75
4	294380	OE. 71772198 INDOOR FILTER	SEK215.76

Filter 147 GTA



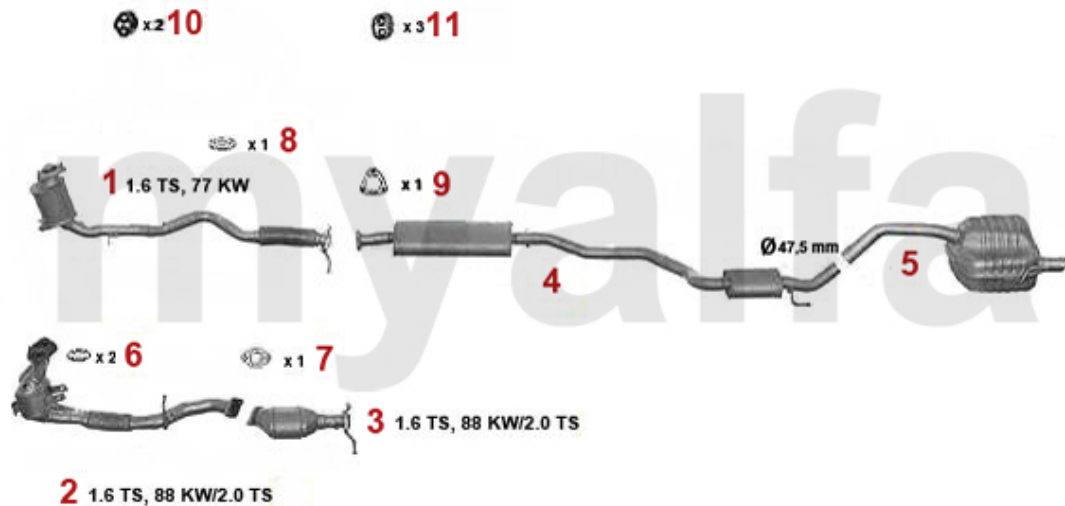
1	291124	OE. 46805830 Oilfilter	SEK122.38
2	292149	OE. 7786626 AIR FILTER ELEMENT	SEK332.31
3	294380	OE. 71772198 INDOOR FILTER	SEK215.76

Filter 147 JTD



1	291110	Ölfilter 147,156,Nuovo GT 1.9 JTD, 166 2.4 JTD Anschraubpatrone	SEK121.27
2	292801	Luftfilter 147,156,Nuovo GT 1.9 JTD (CF3) eckig	SEK173.72
3	293378	OE.60816460 FUEL FILTER 147,156,166 1.9 JTD 8V (CF3)/ 2.4 JTD 110kw	SEK384.75
4	293338	Kraftstofffilter 147,156,166 Nuovo G T JTD (CF3),Bj 01>	SEK334.67
5	294380	OE. 71772198 INDOOR FILTER	SEK215.76

Abgasanlage/Exhaust System 147 TS

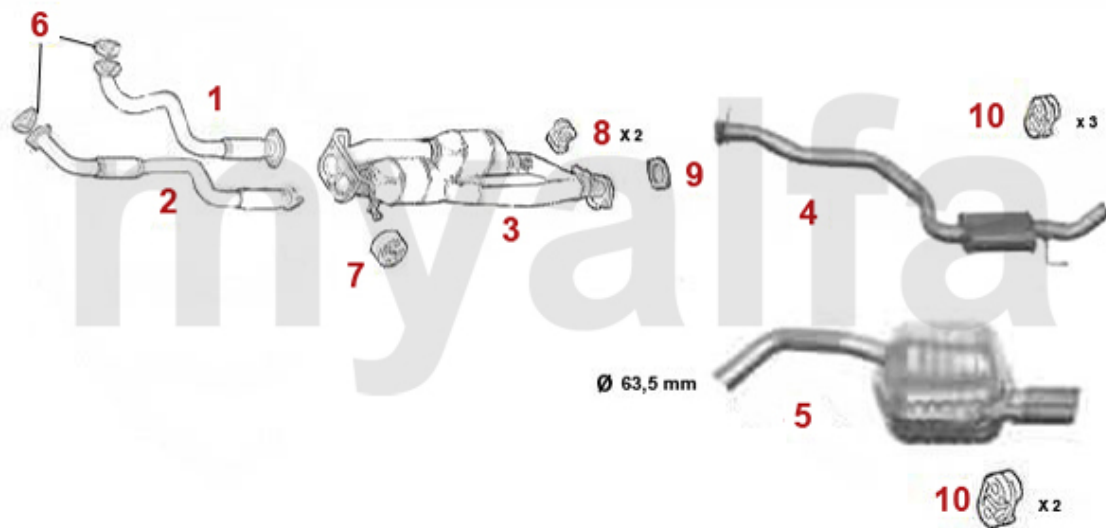


147 16V T.S. 1.6/2.0 (1598 cc. - 77 KW - Mot.AR37203/88 KW - Mot.AR32104)(1970 cc. - 118 KW - Mot.AR32310)

+20
SELESPEED 10/00-

1	32182699	CATALYST 147 1.6 TS (76 KW)	SEK9,330.11
2	32139668	OE. 46739668 EXHAUST PIPE/1ST KAT 147 1.6(88KW)/2.0 TS 16V	SEK11,602.55
3	32139666	OE. 46739666 SILENCER CATALIZED/2nd KAT 147	On request
4	34115009	MIDDLE SILENCER 147 1.6-2.0 16V TS FROM 10.2000 ON	SEK1,667.36
5	35115007	REAR EXHAUST SECTION 147 1.6-2.0 16V TS FROM 10.2000>	SEK1,982.18
6	38094038	OE. 46803532 GASKET f. KAT 147,156,916	SEK145.69
7	38074963	OE. 46774963 GASKET	SEK170.25
8	38094002	OE. 60511451 EXHAUST GASKET	SEK103.79
9	3809213	Dichtung Kat/MSD 147 1.6 TS (76KW)	SEK107.25
10	38091066	OE. 60655991 / 60814913 / 60695841 EXHAUST RUBBER	SEK45.51
11	38042184	OE. 46742184 ELASTIC PAD	SEK92.13

Abgasanlage/Exhaust System 147 GTA

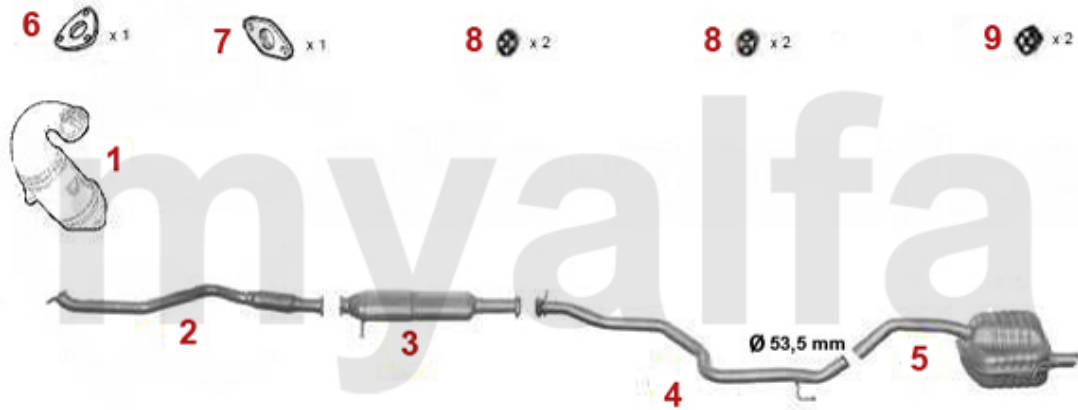


147 3.2 GTA, 3179 ccm, 184 KW

2003>

1	33169658	OE. 60669658 EXHAUST PIPE FR 147 GTA	On request
2	33169659	OE. 60669659 EXHAUST PIPE FL 147 GTA	SEK7,089.02
3	32178321	OE. 60678321 SILENCER	On request
4	3413539	OE. 73503539 MIDDLE SILENCER	SEK6,471.02
5	3513540	OE. 73503540 REAR SILENCER	SEK5,818.20
6	38069665	OE. 60669665 SEALING GASKET f. EXHAUST PIPE 147,156,166,	SEK220.34
7	38075717	OE. 60675717 RUBBER EXHAUST SYSTEM 147, 156,166 Nuovo GT	SEK149.30
8	38091143	OE. 60811640 / 60816516 EXHAUST RUBBER	SEK42.60
9	38094484	OE. 73503584 GASKET	SEK145.69
10	38091066	OE. 60655991 / 60814913 / 60695841 EXHAUST RUBBER	SEK45.51

Abgasanlage/Exhaust System 147 1.9 JTD



147 1.9 JTD TURBO DIESEL 8/16V (1910 cc - 85 kW - Mot 937A2000/103 kW)

10/00-

1	32185920	OE. 55185920 KATALYSATOR 1st 147 1.9 JTD 8/16V	SEK4,533.24
2	33216631	PRESILENCER 147 1.9 JTD FROM 10.2000 ON, 156 1.9 JTD FROM 1997 ON / FROM # 0434143	SEK1,772.25
3	32116633	Katalysator mitte 147 1.9 JTD 156 1.9 & 2.4 JTD bj. 97>	SEK8,080.11
4	34115404	MIDDLE PART 147 1.9 JTD FROM 10.2000 ON	SEK757.85
5	35115407	REAR SILENCER 147 1.9 JTD FROM 10.2000 ON	SEK2,226.94
6	38094560	Dichtung VSD 145/6,156,166 JTD	SEK69.93
7	38094484	OE. 73503584 GASKET	SEK145.69
8	38091143	OE. 60811640 / 60816516 EXHAUST RUBBER	SEK42.60
9	38091119	Gummi/Auspuffaufhängung 145/6 TD mit Kat	SEK71.18

Sportauspuff/Sport Exhaust System 147 1.9 JTD



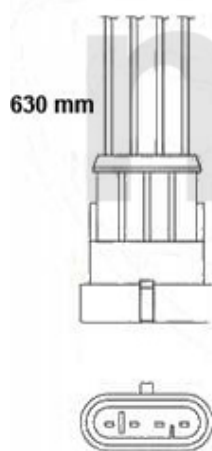
147 1.9 JTD TURBO DIESEL 8/16V (85 kW/116 cv - 103 kW/140cv)

10/00-

1	3621154	Sport-Endtopf 147 1.9 JTD Endrohr oval verchromt 120x76 mm	SEK2,553.42
2	38091119	Gummi/Auspuffaufhängung 145/6 TD mit Kat	SEK71.18

Lambda-Sonde/Lambda Probe 147 1.6/2.0 TS

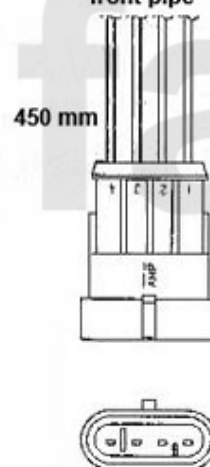
1. 370 7212
1.6 76KW
Vorderrohr/
front pipe



2. 370 7337
1.6 88 KW
2.0 110 KW
Katalysator



3. 370 7338
1.6 88 KW
2.0 110 KW
Vorderrohr/
front pipe



1 3707212 OE. 46750243 LAMBDA PROBE

SEK1,387.50

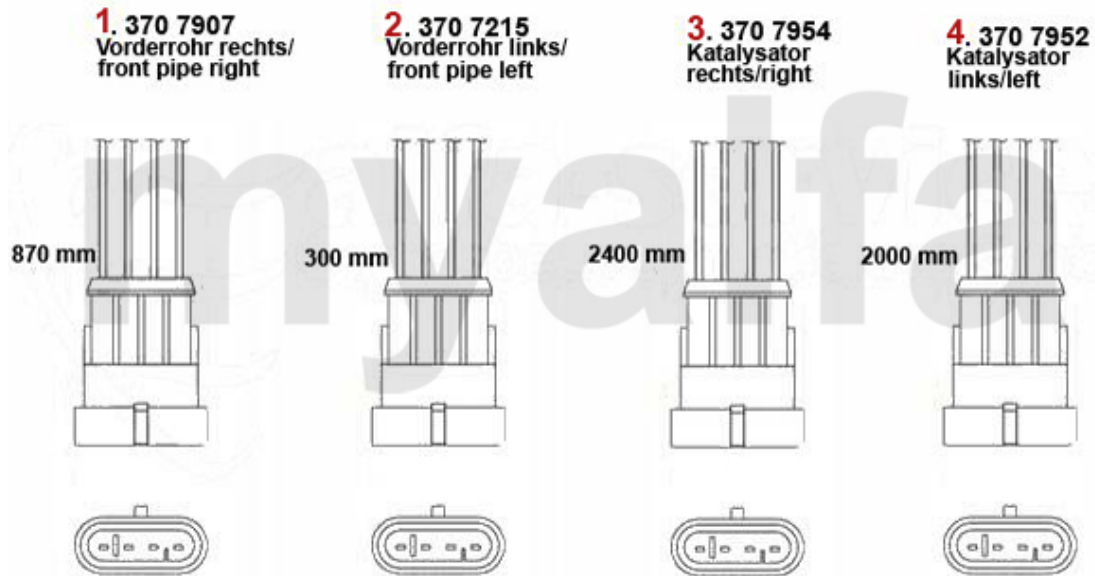
2 3707337 OE. 46760863 LAMBDA PROBE 147,156 1.6 (88KW)/1.8

SEK1,620.74

3 3707338 OE: 46762182 LAMBDA PROBE

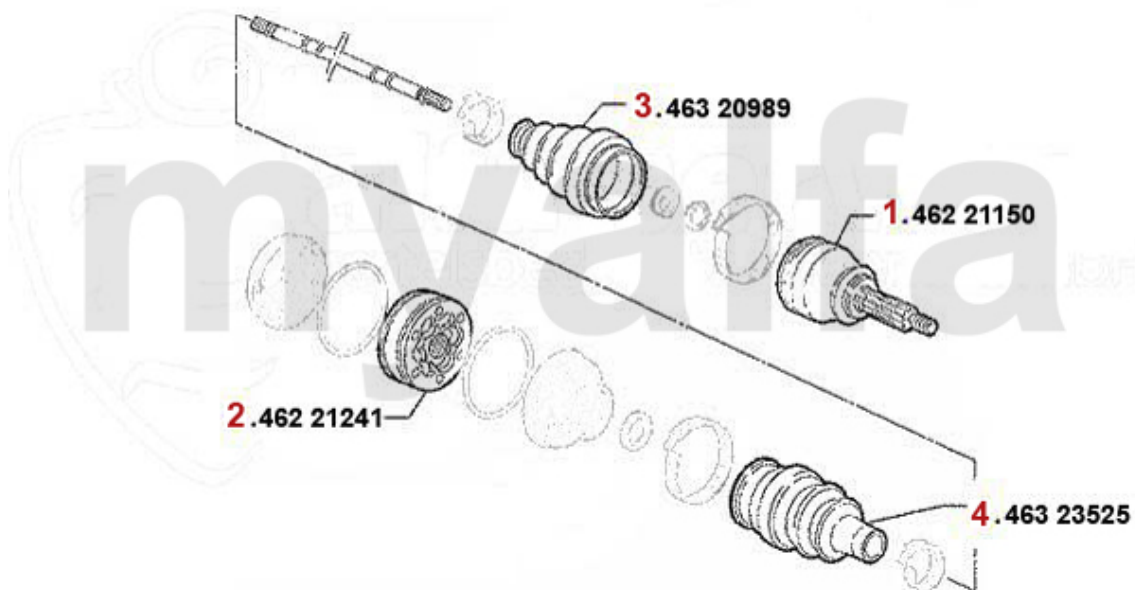
On request

Lambda-Sonde/Lambda Probe 147 GTA



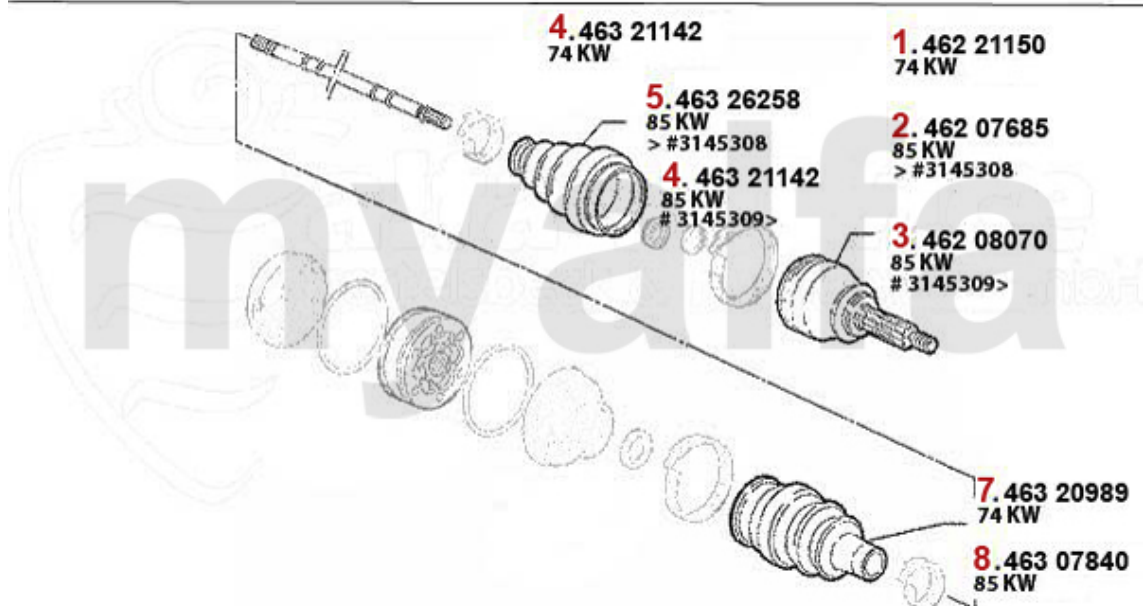
1	3707907	OE. 46764207 LAMBDA PROBE	SEK1,620.74
2	3707215	Lambda-Sonde 147 1.6 16V TS ECO, 3.2 V6 24V GTA 166 2.5/3.0 V6 24 V, spider (916) 3.0 V6 b	SEK1,304.67
3	3707954	OE. 46805750 LAMBDA PROBE	On request
4	3707952	OE: 46805749 LAMDA PROBE	On request

Antriebswelle/Driveshaft 147 1.6/2.0 TS



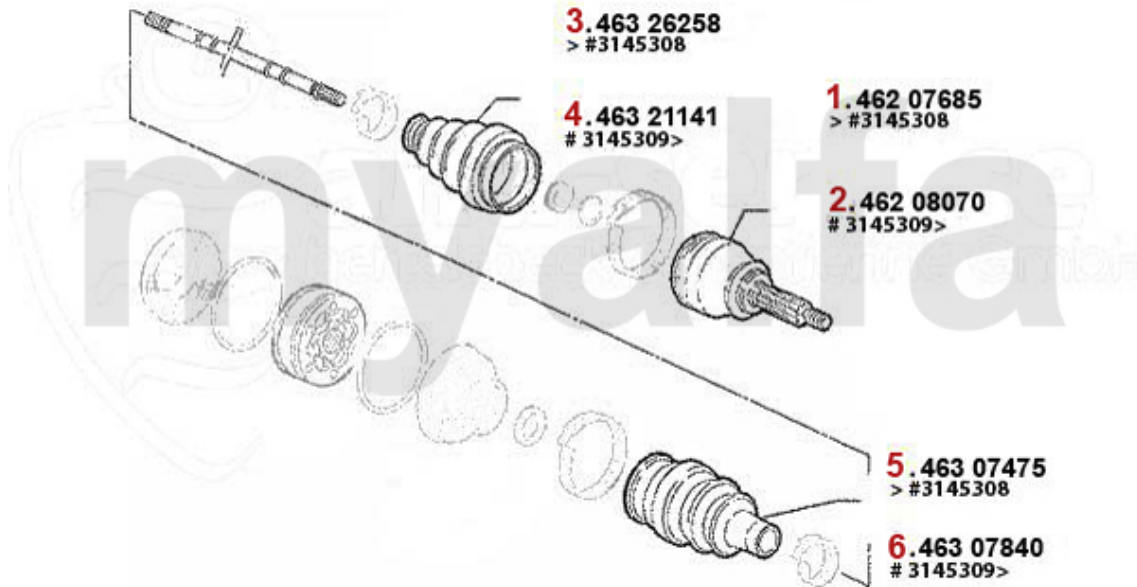
1	46221150	OE. 60815370 OUTER JOINT SET	SEK1,737.29
2	46221241	INNER JOINT SET GTV/SPIDER (916), 155, 145/6 TS 16V, 156 TS 16V, 166 2.0 TS, 147 1.6/2.0 TS	SEK1,340.88
3	46320989	OE. 46429633 DRIVE SHAFT BOOT SET	SEK243.65
4	46323525	OE. 9945301 BOOT	SEK320.65

Antriebswelle/Driveshaft 147 1.9 JTD 8V



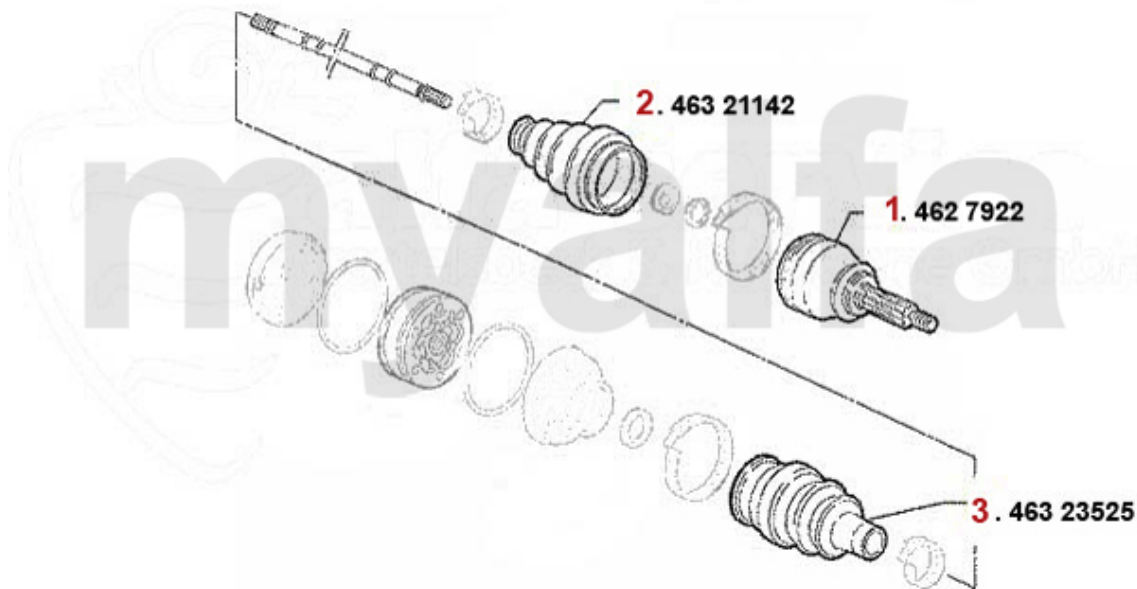
1	46221150	OE. 60815370 OUTER JOINT SET	SEK1,737.29
2	4627685	OE. 46307685 CONST.VELLOCITY JOI 147 1.9 JTD 8V (85KW)/16V (103KW) > #3145308	SEK2,273.70
3	4628070	OE. 46308070 CONST.VELLOCITY JOI 147 1.9 JTD 8V (85KW)/16V (103KW) # 31405308>	SEK1,859.67
4	46321142	OE. 46307733 BOOT SET 147,156,gtv/spider (916),Nuovo GT 3.2 V6 24V/GTA	SEK383.64
5	46326258	OE. 7548098 BOOT SET	SEK360.33
7	46320989	OE. 46429633 DRIVE SHAFT BOOT SET	SEK243.65
8	46307840	OE. 46307840 BOOT SET 147 1.9 JTD # 3145308>	SEK298.45

Antriebswelle/Driveshaft 147 1.9 JTD 16V



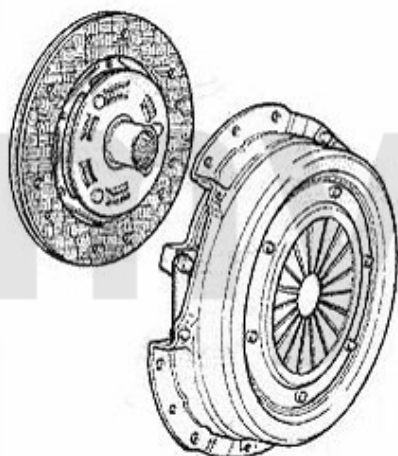
1	4627685	OE. 46307685 CONST.VELLOCITY JOI 147 1.9 JTD 8V (85KW)/16V (103KW) > #3145308	SEK2,273.70
2	4628070	OE. 46308070 CONST.VELLOCITY JOI 147 1.9 JTD 8V (85KW)/16V (103KW) # 31405308>	SEK1,859.67
3	46326258	OE. 7548098 BOOT SET	SEK360.33
4	46321141	OUTER CV BOOT 166 6 CYLINDER/JTD 10V O.E. 82476458	SEK343.96
5	46307475	OE. 46307374 BOOT 147 1.9 JTD 16V	SEK343.96
6	46307840	OE. 46307840 BOOT SET 147 1.9 JTD # 3145308>	SEK298.45

Antriebswelle/Driveshaft 147 3.2 V6 24V/GTA



1	4627922	OE. 46307922 CONST.VELLOCITY JOI 147,156, Nuovo GT 3.2 V6	On request
2	46321142	OE. 46307733 BOOT SET 147,156,gtv/spider (916),Nuovo GT 3.2 V6 24V/GTA	SEK383.64
3	46323525	OE. 9945301 BOOT	SEK320.65

Kupplungs-Kit/Clutch Set 147 1.6/2.0 TS



1. 431 853201
Ø 215 mm
1.6 TS 76/88 KW

2. 431 951301
Ø 230 mm
2.0 TS
- Selespeed

3. 431 739645
Ø 215 mm
2.0 TS
+ Selespeed
(mit Ausrücklager
with thrustbearing)

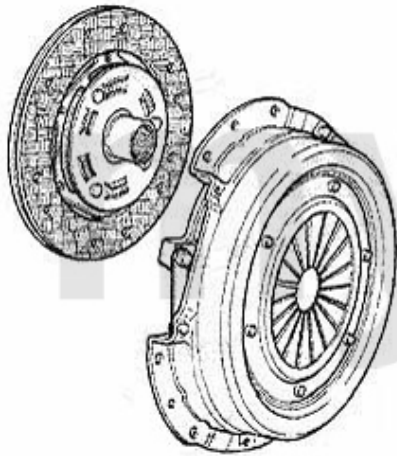
1	43153201	CLUTCH KIT 147,156 1.6/1.8 16V TS FROM 09.97 ON, NUOVO GT 1,8 TS	SEK2,471.83
2	43151301	OE. 55190114 CLUTCH KIT 147, 156/SW 2.0 TS	SEK3,369.68
3	43139645	OE. 71739645 KIT CLUTCH 147, 156 2.0 TS/JTS SELESPEED	SEK3,206.37

Ausrücker/Sleeve Bearing 147 1.6/2.0 TS



1	4391140	OE. 46411139 MOUNT	SEK571.37
2	43516373	OE. 55184041 SLEEVE BEARING	SEK1,504.05
3	43586498	OE. 55186498 SLEEVE T/OBEARING 147,Nuovo GT	SEK849.98

Kupplungs-Kit/Clutch Set 147 GTA



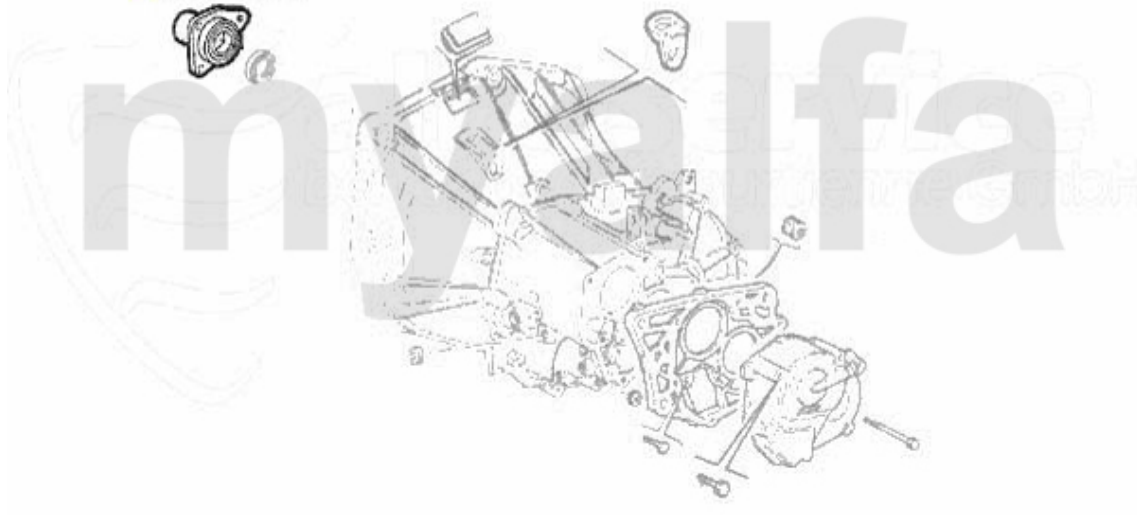
1. 431 739521
Ø 235 mm

1 43139521 OE. 71739521/71728897 CLUTCH KIT 147,156,916 GTA 147, 156,

SEK5,538.35

Ausrücker/Sleeve Bearing 147 GTA

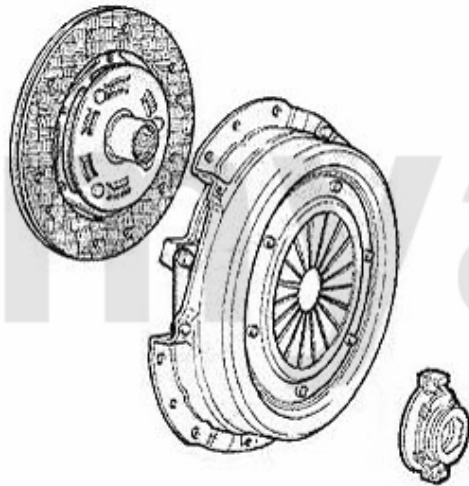
1. 436 11951



1 43611951 OE.46411951 GUIDE SLEEVE RELEASE BEARING

SEK1,737.29

Kupplungs-Kit/Clutch Set 147 1.9 JTD 8V



1. 431 734802
Ø 230 mm
74 KW

2. 431 739539
Ø 235 mm
85 KW

1 43134802 OE. 71734802 KIT CLUTCH 147 1.9 JTD 8V 74 KW

SEK2,984.93

2 43139539 Kupplungs-Kit 156/SW,166 1.9/2.4 JTD 8/10V,147 1.9 JTD 8V 85KW

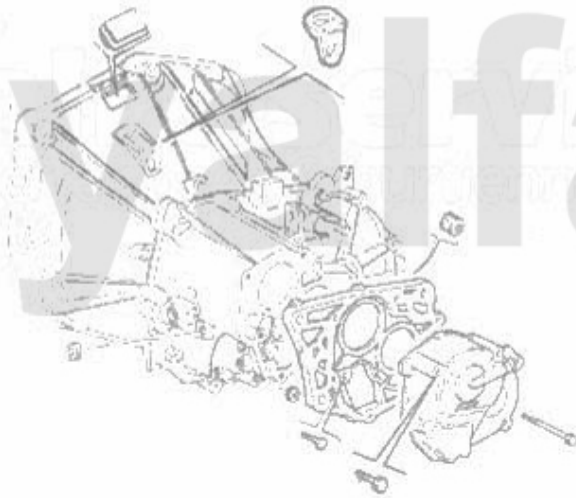
SEK3,684.51

Ausrücker/Sleeve Bearing 147 1.9 JTD 8V

1. 436 11951



2. 435 816764

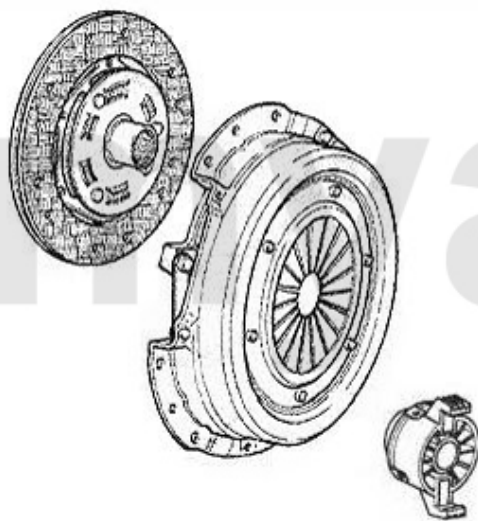


1 43611951 OE.46411951 GUIDE SLEEVE RELEASE BEARING
2 43516764 OE. 55184437 ACTUATOR 147 1.9 JTD 8V 85 KW CF3/4

SEK1,737.29

On request

Kupplungs-Kit/Clutch Set 147 1.9 JTD 16V



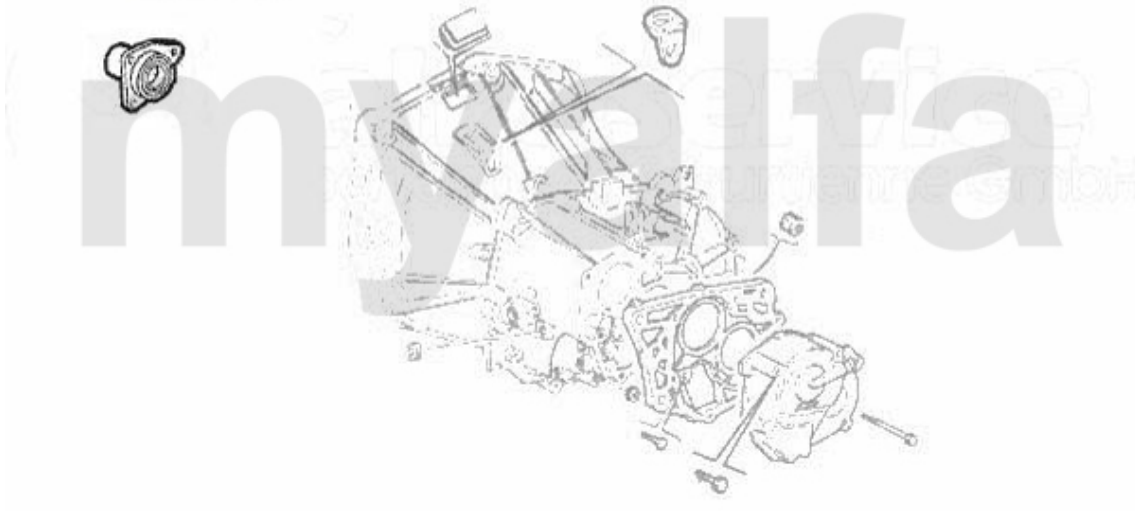
1. 431 739501
Ø 235 mm

1 43139501 OE. 71735901 KIT CLUTCH 147, 156, Nuovo GT 1.9 JTD 16V, 166

SEK4,302.36

Ausrücker/Sleeve Bearing 147 1.9 JTD 16V

1. 436 11951



1 43611951 OE.46411951 GUIDE SLEEVE RELEASE BEARING

SEK1,737.29

Kupplungsbetätigung/Clutch Actuation 147 1.6/2.0 TS



1. 438 89164

1 43889164 OE. 55189164 CLUTCH PUMP 147, Nuovo GT

SEK921.16

Kupplungsbetätigung/Clutch Actuation 147 3.2 V6 24V/GTA



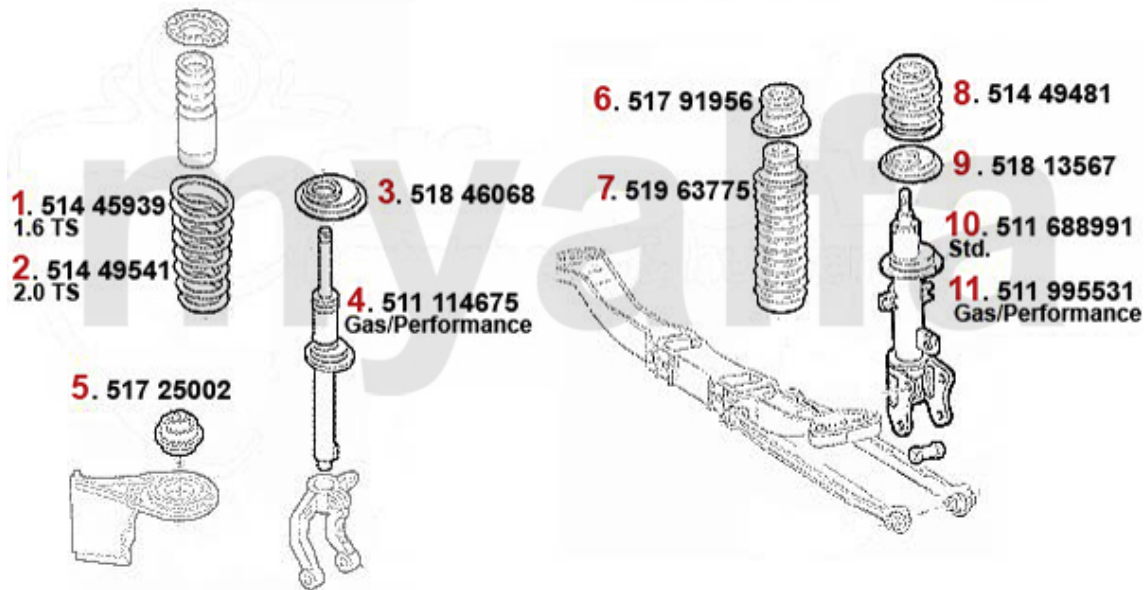
1	43889164	OE. 55189164 CLUTCH PUMP 147, Nuovo GT	SEK921.16
2	43835408	OE. 46835408 CLUTCH CYLINDER 147, Nuovo GT 1.9 JTD/3.2 V6 24V/GTA (w/o Selesp.)	SEK687.92
3	43876063	OE. 60607663 CLUTCH CYLINDER 147, Nuovo GT 1.9 JTD/3.2 V6 24V/GTA Selespeed	On request

Kupplungsbetätigung/Clutch Actuation 147 1.9 JTD 8/16V



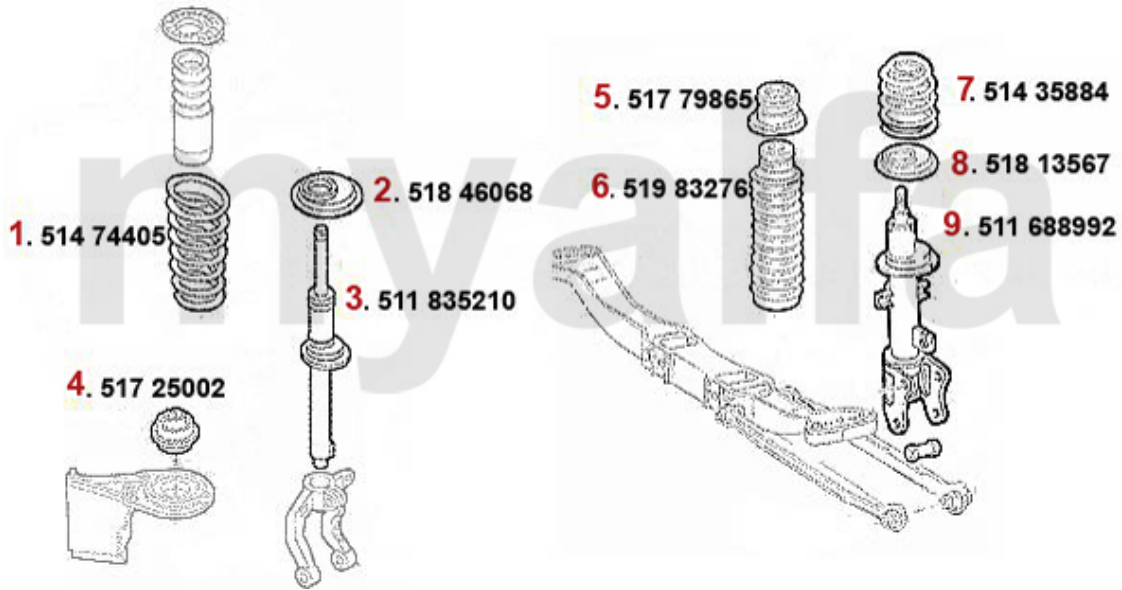
1	43889164	OE. 55189164 CLUTCH PUMP 147, Nuovo GT	SEK921.16
2	43841667	OE. 55196189 CLUTCH CYLINDER	SEK415.14
3	43835408	OE. 46835408 CLUTCH CYLINDER 147, Nuovo GT 1.9 JTD/3.2 V6 24V/GTA (w/o Selesp.)	SEK687.92

Federbeine/Struts 147 TS 16V



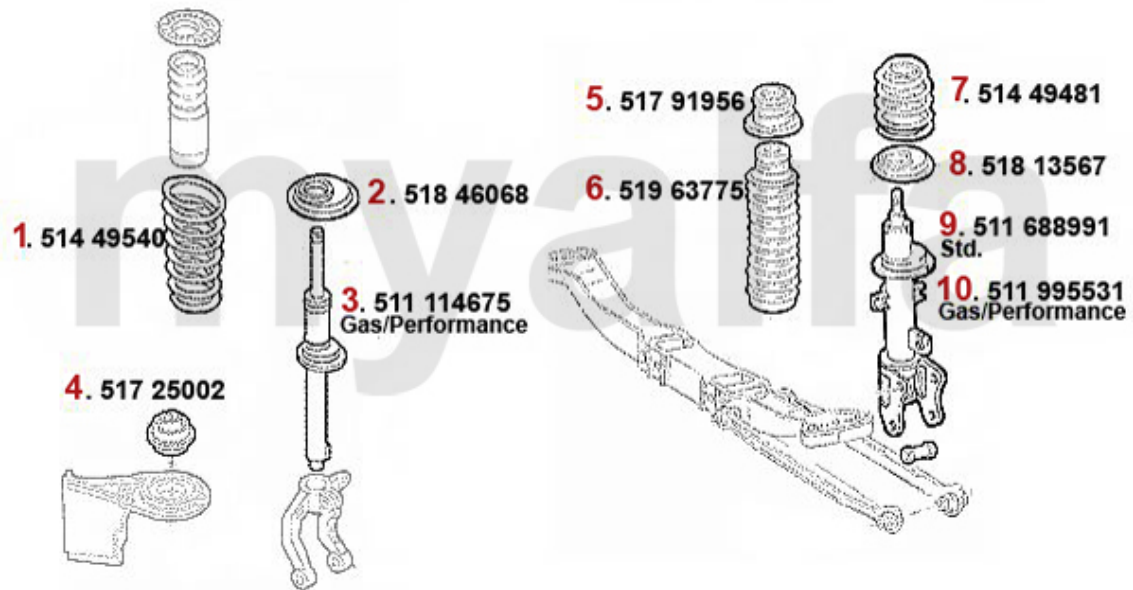
1	51449539	OE. 46804012 SPRING	SEK909.51
2	51449541	FRONT SUSPENSION SPRING 147 2.0 16V TS NUOVO GT 1.9 JTD	SEK804.47
3	51846068	OE.46746068 RING f. STRUT 147 FA (RUBBER)	On request
4	51214675	FRONT SHOCK ABSORBER 147/156 GAS PERFORMANCE	SEK1,399.16
5	51725002	OE. 60625002 UPPER STRUT BEARING	SEK274.03
6	51791956	OE. 46791956 ELASTIC PAD f. STRUT 147 RA	On request
7	51963775	OE. 60663775 SET SHIELD f. STRUTS RA 147	SEK285.69
8	51449481	REAR SPRING 147, 156, NUOVO GT	SEK804.47
9	51813567	OE. 60613567 RING f. STRUT 147 RA	On request
10	51188991	Federbein hinten 147	SEK1,305.92
11	51295531	OE. 46763386/46841067/50509464 REAR STRUT 147 GAS PERFORMANCE	SEK1,970.53

Federbeine/Struts GTA



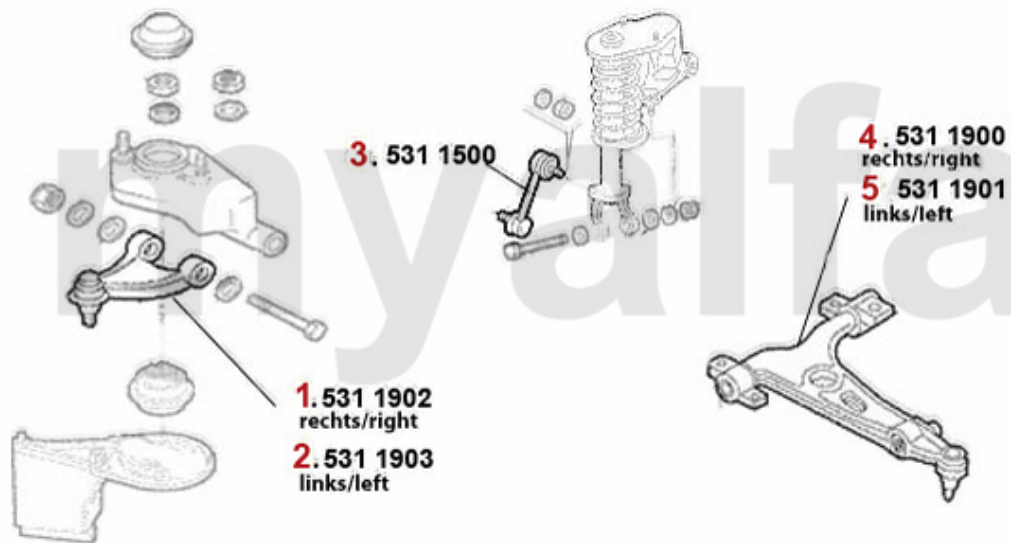
1	51474405	OE. 60674405 SPRING FA 147 GTA	SEK1,743.12
2	51846068	OE.46746068 RING f. STRUT 147 FA (RUBBER)	On request
3	51135210	OE. 46835210 SHOCK ABSORBER	SEK1,737.29
4	51725002	OE. 60625002 UPPER STRUT BEARING	SEK274.03
5	51779865	OE. 60679865 ELASTIC PAD RA	On request
6	51983276	OE. 60683276 SHIELD f. STRUT 147 GTA RA	On request
7	51435884	OE. 46835884 SPRING 147 GTA RA	On request
8	51813567	OE. 60613567 RING f. STRUT 147 RA	On request
9	51188992	OE. 60688992 SHOCK ABSORBER	SEK2,856.59

Federbeine/Struts 147 JTD



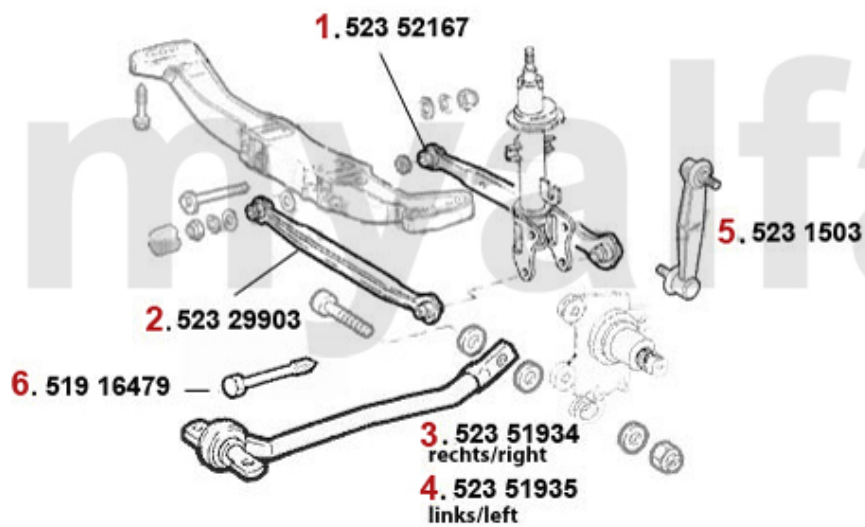
1	51449540	OE. 51772432 REAR SPRING	SEK873.29
2	51846068	OE.46746068 RING f. STRUT 147 FA (RUBBER)	On request
3	51214675	FRONT SHOCK ABSORBER 147/156 GAS PERFORMANCE	SEK1,399.16
4	51725002	OE. 60625002 UPPER STRUT BEARING	SEK274.03
5	51791956	OE. 46791956 ELASTIC PAD f. STRUT 147 RA	On request
6	51963775	OE. 60663775 SET SHIELD f. STRUTS RA 147	SEK285.69
7	51449481	REAR SPRING 147, 156, NUOVO GT	SEK804.47
8	51813567	OE. 60613567 RING f. STRUT 147 RA	On request
9	51188991	Federbein hinten 147	SEK1,305.92
10	51295531	OE. 46763386/46841067/50509464 REAR STRUT 147 GAS PERFORMANCE	SEK1,970.53

Aufhängung/Attachment 147 vorne/front



1	5311902	OE. 51776326 UPPER RIGHT SWINGING ARM 147, 156, Nuovo	SEK878.01
2	5311903	OE. 51776327 UPPER LEFT SWINGING ARM 147, 156, Nuovo	SEK878.01
3	5231500	OE. 46443389 FRONT STABILIZER 147, 156, Nuovo GT	On request
4	5311900	OE. 60686892 LOWER CONTROL ARM RIGHT SIDE	SEK1,457.43
5	5311901	LOWER CONTROL ARM LEFT SIDE STEEL FORGED	SEK1,457.43

Aufhängung/Attachment 147 hinten/rear



1	52352167	OE. 51749713 ROD	SEK628.40
2	52329903	OE. 60629903 ROD	SEK635.48
3	52351934	OE. 60651934 Rod	SEK961.95
4	52351935	OE. 60651935 Rod	SEK961.95
5	5231503	OE. 60699021/60613575 REAR STABILIZER 147, 156, Nuovo GT	SEK412.78
6	51916479	OE.60616479 REAR STRUT BOLT 147, 156, GT	On request

Radlager/Wheel Bearing 147

vorne/front:

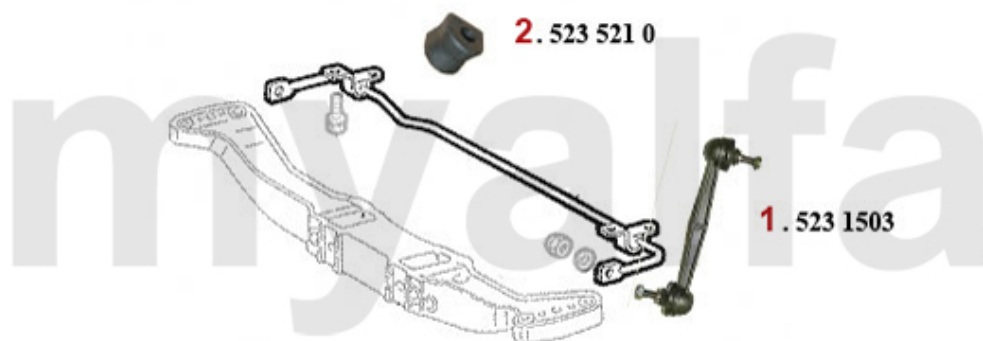


hinten/rear:



1	54416030	OE. 46739139 FRONT WHEEL BEARING	SEK1,504.05
2	54416025	OE. 60671437 WHEEL BEARING	SEK1,743.12
3	54366910	OE. 82466910 WHEEL HUB FA 916,147	SEK641.30
4	54310369	OE. 60510369 HUB 147,156, gtv/spider (916),Nuovo GT V6	SEK1,469.09
5	54316026	Radnabe hinten 147,156,Nuovo GT mit ABS	SEK1,911.00
6	54357885	OE. 51757885 WHEEL HUB 147	SEK1,509.88

Stabilisator hinten/rear Stabilizer 147



- | | | |
|----------|----------------|---|
| 1 | 5231503 | OE. 60699021/60613575 REAR STABILIZER 147, 156, Nuovo GT |
| 2 | 5235210 | ANTI-ROLL BAR RUBBER REAR 147 >2004, 156 |

SEK412.78
On request

Lenkung/Steering 147



1	5541103	Spurstangenkopf links 147,156 166	SEK443.03
2	5541102	Spurstangenkopf rechts 147 156,166	SEK443.03
3	55591005	STEERING BOOT 147, 156, 166	SEK274.03

Lenkgetriebe/Steering Rack 147



1. 552 34757

myalfa

2. 551 93866



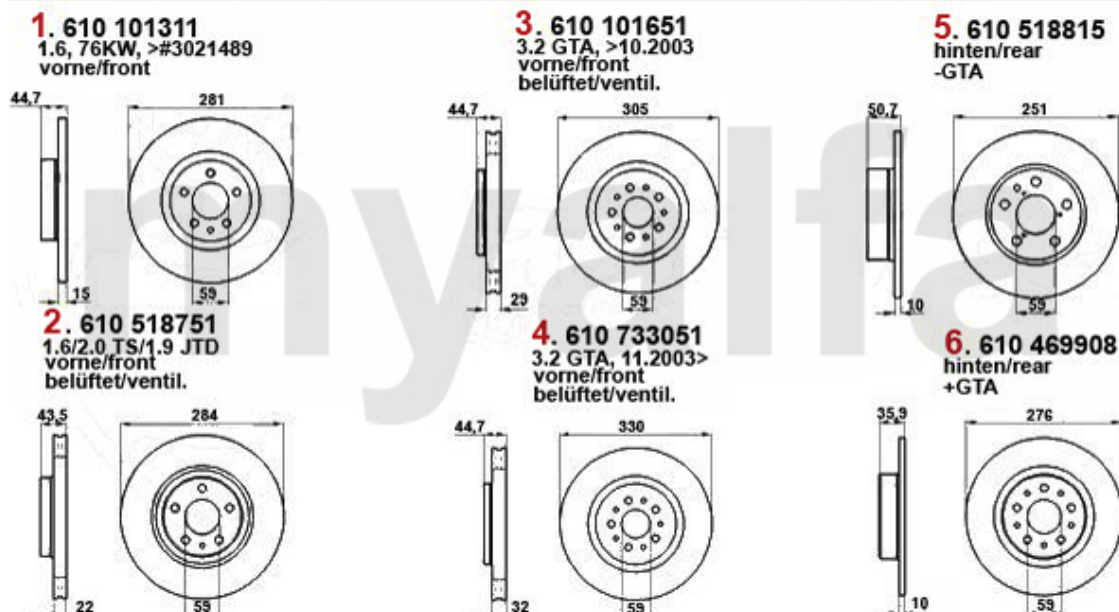
1 55234757 OE. 46473843 STEERING PUMP

SEK5,771.58

2 55193866 OE. 46755528 STEERING RACK 147

SEK6,220.44

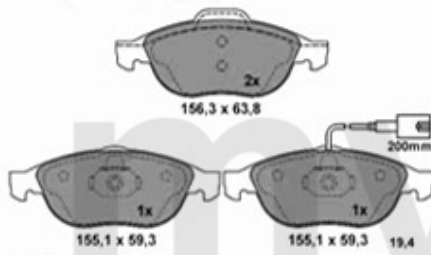
Bremsscheiben/Brakedisks 147



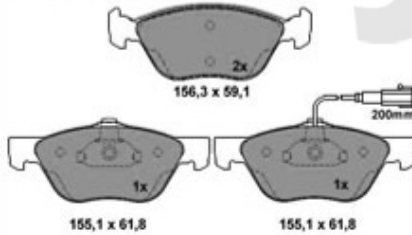
1	61001311	Bremsscheibe VA 147 1.6 16V TS 156 1.6/1.8/16V TS/1.9 JTD	On request
2	61018751	OE. 71739568 FRONT BRAKE DISK 147, 156, 164, gtv/spider (916)	SEK874.40
3	61001651	OE. 60652186 / 60670801 FRONT BRAKE DISC 147/156 GTA, gtv/spider 3.0/3.2 V6 24V	SEK1,017.87
4	61033051	OE.51733051 FRONT BRAKE DISK GTA 147 2003>,156 2002>	SEK1,853.84
5	61018815	OE. 71738911 REAR BRAKE DISK 147, 156, 164	SEK825.56
6	61069908	OE. 46469908 RAER BRAKE DISC	SEK804.47

Brembeläge/Brakepads 147 vorne/front

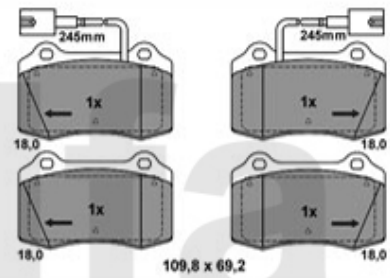
1. 23140
1.6, 76 KW, >#3021489



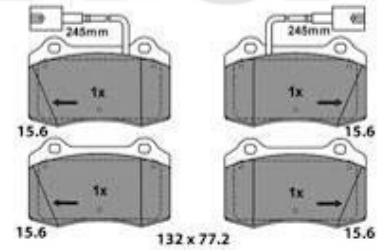
2. 23289
1.6, 88KW/2.0/JTD



3. 62239
GTA >10.2003

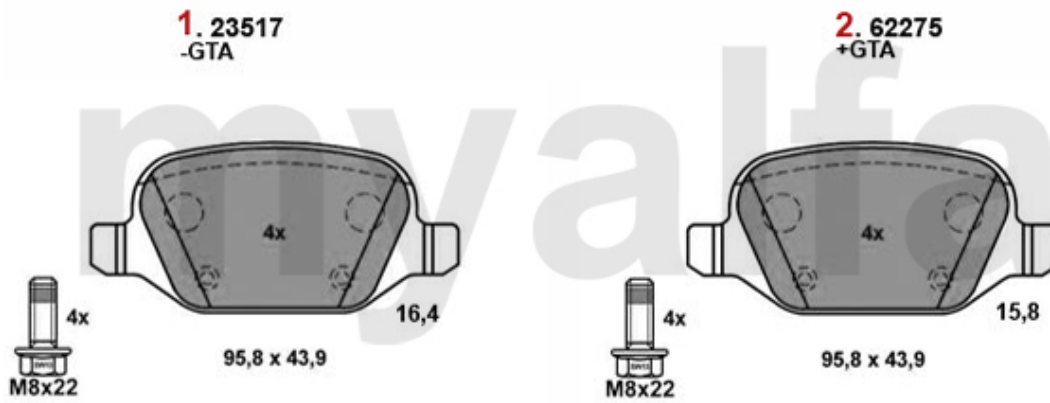


4. 62692
GTA 11.2003>



1	23119305	SBB VA mit WE 147 1.6 16V TS 156 1.6/1.8/16V TS/1.9 JTD bj.	SEK746.20
		09.97-10.00 Bremssystem: Ate	
2	23219305	OE. 77362229/9948845 FRONT BRAKE PADS	SEK815.02
3	62239	OE. 77362239 BRAKE PAD-SET	SEK1,017.87
4	62692	OE. 77362692 BRAKE PAD-SET	SEK1,119.30

Brembeläge/Brakepads 147 hinten/rear



- 1 23516504 OE. 9949334 BRAKE PAD SET
- 2 62275 OE. 77362275 RAER BRAKE

SEK909.51

SEK1,037.71

Bremszangen/Calipers 147 vorne/front



1. 661 211041
links/left
1.6 TS, >#03021489

2. 611 211042
rechts/right
1.6 TS, >#03021489



3. 661 48466
links/left
1.6 TS, #03021490>
2.0 TS/1.9 JTD

4. 661 48471
rechts/right
1.6 TS, #03021490>
2.0 TS/1.9 JTD



5. 661 947849
links/left
GTA >10.2003

6. 661 947850
rechts/right
GTA >10.2003



7. 661 62676
links/left
GTA 11.2003>

8. 661 62677
rechts/right
GTA 11.2003>

1	66111041	OE. 9948124 BRAKE CALIPER FL 147 1.6 TS, 156 1.6/1.8 TS	SEK2,500.97
2	66111042	OE. 9948129 BRAKE CALIPER FR 147 1.6 TS, 156 1.6/1.8 TS	SEK2,500.97
3	66148466	OE. 9948466 BRAKE CALIPER FL 147, 156, Nuovo GT TS 16V, JTD	SEK2,087.08
4	66148471	OE. 9948469 BRAKE CALIPER FR 147, 156, Nuovo GT TS 16V, JTD	SEK2,087.08
5	66147849	Frontbrake Callipper 147,156, 916 3.2 V6	On request
6	66147850	Frontbrake Callipper 147,156, 916 3.2 V6	On request
7	66162676	OE. 77362676 F.BRK.CAL.W/O PAD 147, 156 2002>, Nuovo GT	SEK7,450.60
8	66162677	OE. 77362677 F.BRK.CAL.W/O PAD 147, 156 2002>, Nuovo GT	SEK7,450.60

Bremszangen/Calipers 147 hinten/rear

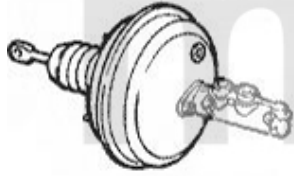


1	66148544	OE. 9951213/9948544 BRAKE CALIPPER REAR LEFT 147,156/SW EXCHANGE/SURCHARGE 50 EURO	SEK1,998.42
2	66148547	OE. 9951214/9948547 BRAKE CALIPPER REAR RIGHT 147, EXCHANGE/SURCHARGE 50 EURO	SEK1,998.42
3	66149522	OE. 9949522 BRAKE CALIPER RL 147, 156 2002>, Nuovo GT 3.2	SEK3,019.89
4	66149523	OE. 9949523 BRAKE CALIPER RR 147, 156 2002>, Nuovo GT 3.2	SEK3,019.89

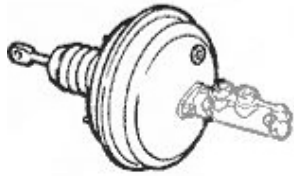
BKV/Hauptbremszylinder/Brakeservo/Brake master cylinder 147



1. 671 48846
-dynamic control >6.2002/GTA



2. 671 11990
+dynamic control >6.2002



3. 671 62102
+GTA



4. 672 293
-dynamic control



5. 672 294
+dynamic control
>06.2002

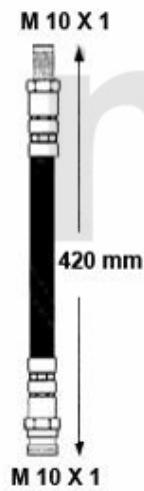


6. 672 551
+dynamic control
06.2002>

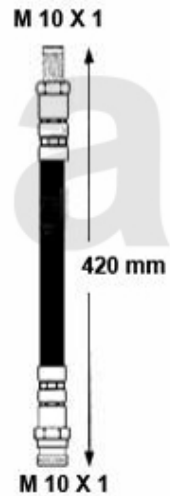
4	672293	OE. 9949550 BRAKE MASTER CYLINDER 147/ Nuovo GT	SEK1,746.59
5	672294	OE. 9948850 BRAKE MASTER CYLINDER 147/ Nuovo GT with DYNAMIC CONTROL > 06.2002	SEK2,087.08
6	672551	OE. 9949551 BRAKE MASTER CYLINDER 147/ Nuovo GT without DYNAMIC CONTROL 07.200	SEK1,619.49

Bremsschlauch/Brake Hose 147

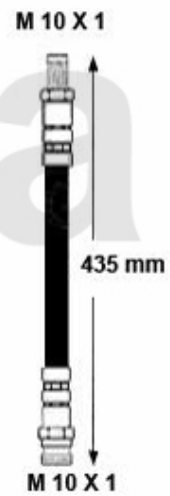
1. 676 511665
vorne/front
-GTA



2. 676 674858
vorne/front
+GTA



3. 676 511666
hinten/rear



1 67611665 *Bremsschlauch vorne 147/156*

On request

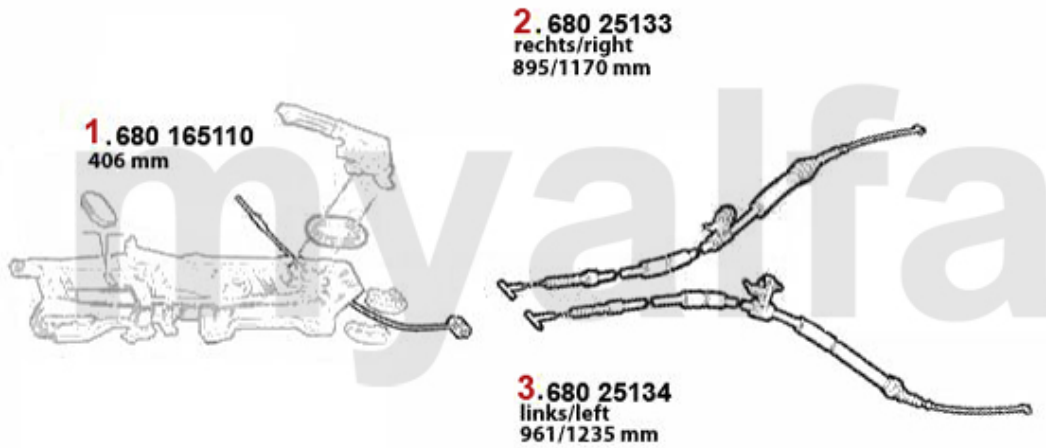
2 67674858 *OE. 60674858 BRAKE HOSE fr. 147/Nuovo GT 3.2 GTA*

SEK524.75

3 67611666 *Bremsschlauch HA 147, 156*

SEK189.53

Handbremsseil/Brake Cable 147



1	68065110	FRONT HAND BRAKE CABLE 145/6,147, 155, spider/gtv (916) Nuovo GT	SEK222.69
2	68025133	Handbremsseil rechts 147	SEK285.55
3	68025134	Handbremsseil links 147	SEK373.10

Zündanlage/Ignitionsystem 147 TS

1. 812 297



3. BKUR 6 ETB
1.6 74KW

4. BKR 6 EKPA
1.6 88KW
2.0



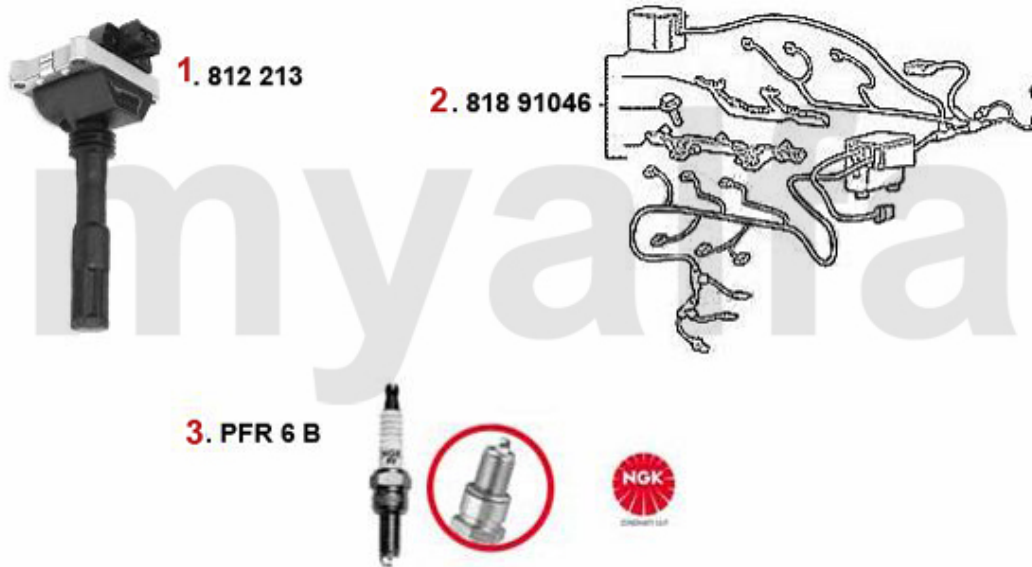
5. CR 7 EKC
1.6 74KW

6. PMR 7 A
1.6 88KW
2.0



1	812297	OE. 46755605 COIL	SEK1,106.53
2	81866953	IGNITION CABLE SET 147, 156, 166, gtv/ spider (916), Nuovo GT - TS 16V CF3	SEK1,853.84
3	BKUR6ETB	Zündkerze NGK 147 1.6 16V TS ACHTUN G:benötigt werden 2 Kerzen je Zylinder je 1x BKUR 6 E	SEK69.93
4	BKR6EKPA	OE. 46521529 SPARK PLUG	SEK383.64
5	CR7EKC	Zündkerze NGK 147 1.6 16V TS ACHTUN G:benötigt werden 2 Kerzen je Zylinder je 1x CR 7 EKC	SEK124.74
6	PMR7A	OE. 46521530 SPARK PLUG	SEK326.48

Zündanlage/Ignitionsystem 147 GTA



1	812213	OE. 60562701 Coil	SEK1,223.08
2	81891046	IGNITION CABLE SET V6 24V CF3	On request
3	PFR6B	OE. 60579903 SPARK PLUG NGK	SEK215.76

Aggregate/Aggregats 147 TS

1. 822 17770



**2. 821 42780
105A**



**1 82217770 STARTER 145 1.7ie 16V/2.0 16V QV FROM 03.98>, 147 1.6/2.0 16V TS
156,GTV/SPIDER (916) 2.0**

SEK2,320.32

2 82142780 OE. 46769369 GENERATOR 105 A

SEK3,708.93

Aggregate/Aggregats 147 GTA

1. 822 15600



2. 821 73305



1 82215600 OE. 77274850 STARTER

SEK2,203.63

2 82173305 OE. 60673305 ALTERNATOR 3.2 V6 24V - GTA

SEK3,019.89

Aggregate/Aggregats 147 1.9 JTD 8V

1. 822 17790



**2. 821 68170
100A**



1 82217790 OE.60814911 STARTER 145/6,147,156 TD/JTD

SEK2,786.66

2 82168170 OE. 60816045 GENERATOR 145/6 1.9 JTD 100 A

SEK3,602.78

Aggregate/Aggregats 147 1.9 JTD 16V

1. 822 80159
>03.2005



2. 821 89068
120A
>07.2003



3. 821 68170
100A
08.2003>



1	82280159	OE. 46800159 STARTER MOTOR 1.9 JTD 16V 147	SEK2,786.66
2	82189068	OE. 46809068 ALTERNATOR 1.9 JTD 16V 147	SEK4,768.84
3	82168170	OE. 60816045 GENERATOR 145/6 1.9 JTD 100 A	SEK3,602.78

1	9822260	BATTERY CHARGER AB-4 ABSAAR	SEK553.89
2	9822250	BATTERY LIFE SAFER	SEK448.86
3	8701130	BATTERY SWITCH / MASS POLE CLAMP	SEK92.13

