

ALFA 156

All prices including tax, delivery costs are extra

Table Of Content

BODY	8
MIRROR	8
LIGHTING >2004	9
LIGHTING 2004>	10
BODYPARTS	11
BUMPER/GRILLE/PANEL	12
WIND DEFLECTOR	13
WIND DEFLECTOR	13
WIND DEFLECTOR	13
CAR COVER	13
ENGINE	14
V-BELTS	14
TS 16V	14
2.0 JTS	15
2.5/3.2 V6 24V/GTA	16
1.9 JTD 8V	17
1.9 JTD 16V	18
2.4 JTD 10V	19
2.4 JTD 20V	20
FUEL SYSTEM	21
TS 16V	21
FUEL PUMP	21
2.0 JTS	22
FUEL PUMP	22
2.5/3.2 V6 24V/GTA	23
FUEL PUMP	23
1.9 JTD 8V	24
FUEL PUMP	24
1.9 JTD 16V	25
FUEL PUMP	25
2.4 JTD 10V	26
FUEL PUMP	26
2.4 JTD 20V	27
FUEL PUMP	27
ENGINE GASKETS	28
TS 16V	28
GASKETS ENGINE	28
HAED SET	29
FULL SET	30
HEAD SREW SET	31
2.0 JTS	32
GASKETS ENGINE	32
HAED SET	33
2.5/3.2 V6 24V/GTA	34
GASKETS ENGINE	34

HAED SET	35
FULL SET	36
HEADSCREW SET	37
1.9 JTD	38
GASKETS ENGINE	38
HEADGASKET	39
HEAD SET	40
HEAD SCREW SET	41
2.4 JTD	42
GASKETS ENGINE	42
HEAD GASKET	43
HEAD SET	44
HEAD SCREW SET	45
REINZ UNIVERSAL	46
COOLING SYSTEM	47
TS16V	47
RADIATOR	47
THERMOSTAT	48
WATERPUMP	49
2.0 JTS	50
RADIATOR	50
THERMOSTAT	51
WATERPUMP	52
2.5/3.2 V6 24V/GTA	53
RADIATOR	53
THERMOSTAT	54
WATERPUMP	55
1.9 JTD 8V	56
RADIATOR	56
THERMOSTAT	57
WATERPUMP	58
1.9 JTD 16V	59
RADIATOR	59
THERMOSTAT	60
WATERPUMP	61
2.4 JTD 10V	62
RADIATOR	62
THERMOSTAT	63
WATERPUMP	64
2.4 JTD 20V	65
RADIATOR	65
THERMOSTAT	66
WATERPUMP	67
ENGINE MOUNT	68
TS16V	68
2.0 JTS	69
2.5/3.2 V6 24V/GTA	70

1.9 JTD 8V	71
1.9 JTD 16V	72
2.4 JTD 10V	73
156 2.4 JTD 20V	74
VALVE GEAR	75
TS16V	75
CAMSHAFT	75
VALVE MECHANISM	76
TIMING BELT	77
2.0 JTS	78
CAMSHAFT	78
VALVE MECHANISM	79
TIMINGBELT	80
2.5/3.2 V6 24V/GTA	81
CAMSHAFT	81
VALVE MECHANISM	82
TIMINGBELT	83
1.9 JTD 8V	84
CAMSHAFT	84
VALVE MECHANISM	85
TIMINGBELT	86
1.9 JTD 16V	87
CAMSHAFT	87
VALVE MECHANISM	88
TIMINGBELT	89
2.4 JTD 10V	90
CAMSHAFT	90
VALVE MECHANISM	91
TIMINGBELT	92
2.4 JTD 20V	93
CAMSHAFT	93
VALVE MECHANISM	94
TIMINGBELT	95
FILTER	96
TS 16V	96
2.0 JTS	97
2.5/3.2 V6 24V/GTA	98
1.9 JTD	99
2.4 JTD	100
EXHAUST SYSTEM	101
EXHAUST SYSTEM	101
TS 16V CF2	101
TS16V CF3	102
2.0 JTS	103
2.5 V6 24V >2002	104
2.5/3.2 V6 24V/GTA 2002>	105
1.9 JTD 8V	106

1.9 JTD 16V	107
2.4 JTD 10V	108
2.4 JTD 20V	109
SPORT EXHAUST SYSTEM	110
TS16V CF2	110
TS16V CF3	111
2.0 JTS	112
2.5 V6 24V >2002	113
1.9 JTD 8V	114
1.9 JTD 16V	115
2.4 JTD 10V	116
OXYGEN SENSORS	117
TS16V CF2	117
TS16V CF3	118
2.0 JTS	119
2.5 V6 24V CF2 >2002	120
2.5/3.2 V6 24V/GTA 2002>	121
DRIVETRAIN	122
DRIVESHAFT	122
1.6/1.8 TS 16V	122
2.0 TS 16V	123
2.0 JTS	124
2.5 V6 24V	125
3.2 V6 24V/GTA	126
1.9 JTD 8V	127
1.9 JTD 16V	128
2.4 JTD 10V	129
2.4 JTD 20V	130
CLUTCH	131
CLUTCH SET 1.6/1.8 TS 16V	131
SLEEVE BEARING 1.6/1.8 TS 16V	132
CLUTCH SET 2.0 TS 16V	133
SLEEVE BEARING 2.0 TS 16V	134
CLUTCH SET 2.0 JTS	135
SLEEVE BEARING 2.0 JTS	136
CLUTCH SET 2.5 V6 24V	137
GUIDE BUSH F. SLEEVE BEARING 2.5 V6 24V	138
CLUTCH SET 3.2 V6 24V/GTA	139
GUIDE BUSH f. SLEEVE BEARING 3.2 V6 24V/	140
GUIDE f. SLEEVE BEARING 1.9 JTD 8V	141
CLUTCH SET 1.9 JTD 8V	142
CLUTCH SET 1.9 JTD 16V	143
GUIDE BUSH f. SLEEVE BEARING 1.9 JTD 16V	144
CLUTCH SET 2.4 JTD 10V	145
GUIDE BUSH f. SLEEVE BEARING 2.4 JTD 10V	146
CLUTCH SET 2.4 JTD 20V	147
SLEEVE BEARING 2.4 JTD 20V	147

CLUTCH ACTUATION	148
1.6/1.8 TS 16V	148
2.0 TS 16V	149
2.0 JTS	150
2.5 V6 24V	151
3.2 V6 24V/GTA	152
1.9 JTD 8V	153
1.9 JTD 16V	154
2.4 JTD 10V	155
2.4 JTD 20V	156
SUSPENSION	157
STRUT TS 16V	157
STRUT 2.0 JTS	158
STRUT 2.5 V6 24V	159
STRUT 3.2 V6 24V/GTA	160
STRUT 1.9 JTD 8/16V	161
STRUT 2.4 JTD 10/20V	162
ATTACHMENT FRONT	163
ATTACHMENT REAR	164
WHEEL BEARING	165
REAR STABILIZER	166
STEERING	167
STEERING PARTS	167
BRAKE	168
BRAKE DISCS >2002	168
BRAKE DISCS 2002>	169
BRAKE PADS >2002	170
BRAKE PADS 2002>	171
CALIPER >2002	172
CALIPER 2002> FRONT	173
CALIPER 2002> REAR	174
BRAKE SERVO/BRAKE MASTER CYL. >2002	175
BRAKE MASTER CYL. 2002>	176
BRAKE HOSES	177
BRAKE CABLE	178
ELECTRIC	179
ENGINE ELECTRIC	179
IGNITION SYSTEM TS	179
IGNITION SYSTEM V6	180
STARTER/ALTERNATOR TS	181
STARTER/ALTERNATOR JTS	182
STARTER/ALTERNATOR V6 24V	183
STARTER/ALTERNATOR 1.9 JTD 8V	184
STARTER/ALTERNATOR 1.9 JTD 16V	185
STARTER/ALTERNATOR 2.4 JTD 10V	186
STARTER/ALTERNATOR 2.4 JTD 20V	187
INTERIOR	188

MISCELLANEOUS	188
FOOT MAT	188
BATTERY CHARGERS	189
FENDER PROTECTOR	190

Außenspiegel/Mirror 156



1. 140 18580
links/left
>2001

2. 140 36539
links/left
2001>

3. 141 79252
Glas/glass
rechts/right

4. 141 79253
Glas/glass
links/left



5. 140 17130
rechts/right
> 2001

6. 140 36535
rechts/right
2001>



1	14018580	Außenspiegel links 156 Bj. >01 elek trisch,blaues Glas,schwarz	SEK2,623.49
2	14036539	Außenspiegel links 156 Bj. 01> elek trisch,blaues Glas,konvex,grundiert	SEK2,021.73
3	14179252	OE. 60779252 GLASS	On request
4	14179253	OE. 60779253 GLASS	SEK443.03
5	14017130	OE. 156017130 RIGHT SIDE MIRROR 156	SEK2,203.63
6	14036535	Außenspiegel rechts 156 Bj. 01> ele ktrisch,blaues Glas,konvex,grundier t	SEK2,021.73

Beleuchtung/Lighting 156 >2004



1	15120134	Hauptscheinwerfer rechts 156 (mit L EW) H7/H1	On request
2	15120135	Hauptscheinwerfer links 156 (mit LE W) H7/H1	On request
3	15178728	Xenon-Hauptscheinwerfer rechts 156	On request
4	15179517	Xenon-Hauptscheinwerfer links 156	On request
5	15179705	Hauptscheinwerfer rechts 156 GTA Bj. >6.03	On request
6	15179707	Hauptscheinwerfer links 156 GTA Bj. >6.03	On request
7	15177965	XENON HEADLAMP 156 GTA >06.03,RIGHT	On request
8	15177966	Xenon-Hauptscheinwerfer links 156 G TA Bj. >6.03	On request
9	15290119	Foglight 156 1997-01	SEK718.17
10	15292719	OE.60685709 FOG LIGHT 156/SW (NOT GTA) FROM 2002> ON	SEK808.08
11	15295239	OE.60685710/60695239 FOG LIGHT 156/GTA	SEK964.87
12	15520141	OE. 60620141 SIDE LAMP	SEK150.41
13	15520142	OE. 60620142 SIDE LAMP	SEK150.41
14	15320136	Rückleuchte rechts 156/SW (außen)	On request
15	15320137	Rückleuchte links 156/SW (außen)	On request
16	15320138	Rückleuchte rechts 156/SW (innen)	On request
17	15320139	Rückleuchte links 156/SW (innen)	SEK728.72
18	15385981	Rückleuchte 156/SW innen rechts Bj. 04> (Facelift)	On request
19	15385982	Rückleuchte 156/SW innen links Bj. 04>	On request
20	15520687	OE. 60620687 TAIL LAMP 156 >2000	On request
21	15570493	OE. 60670493 TAIL LAMP 156 2000>	On request
22	15566174	OE. 60666174 STOPLIGHT	On request
23	1568006	OE. 46408006 NUMBER PLATE LAMP	SEK231.99

Beleuchtung/Lighting 156 2004>



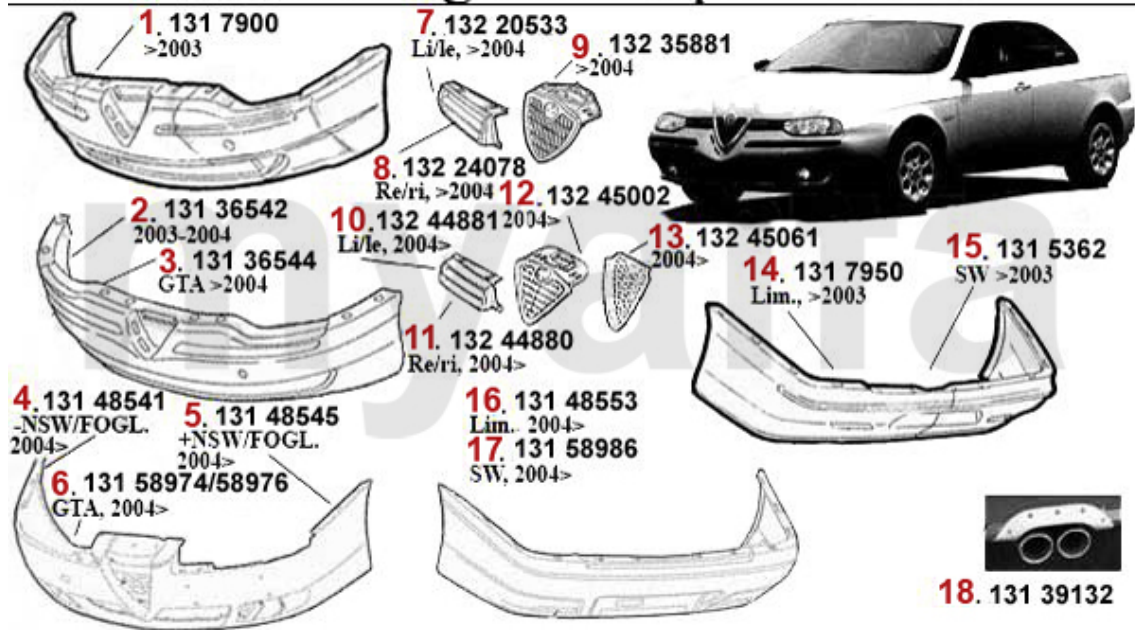
1	15195646	OE. 60695646 HEADLIGHT LEFT 156, 2004> H7/H1	SEK2,786.66
2	15195647	OE. 60695647 HEADLIGHT RIGHT 156, 2004> H7/H1	SEK2,786.66
3	15195650	OE. 60695650 XENON HEADLIGHT 156 LEFT 2004>	SEK9,304.44
4	15195651	OE. 60695651 XENON HEADLIGHT RIGHT 156 2004>	On request
5	15292719	OE.60685709 FOG LIGHT 156/SW (NOT GTA) FROM 2002> ON	SEK808.08
6	15586516	Zusatzblinkleuchte 147/156 rechts 2004> (Facelift)	On request
7	15586517	Zusatzblinkleuchte 147/156 links 2004>, (Facelift)	On request
8	15320136	Rückleuchte rechts 156/SW (außen)	On request
9	15320137	Rückleuchte links 156/SW (außen)	On request
10	15385981	Rückleuchte 156/SW innen rechts Bj. 04> (Facelift)	On request
11	15385982	Rückleuchte 156/SW innen links Bj. 04>	On request
12	1568006	OE. 46408006 NUMBER PLATE LAMP	SEK231.99
13	15566174	OE. 60666174 STOPLIGHT	On request
14	15570493	OE. 60670493 TAIL LAMP 156 2000>	On request

Karosserieteile/Body Parts 156



1	1189675	OE. 60654724 PROP/BONNET 156	SEK310.11
2	1137280	Motorhaube 156 > Bj. 2003	On request
3	11385925	OE. 60685925 HOOD BONNET 156	On request
4	1117200	Frontblech 156 Bj. >2003	SEK1,614.91
5	11185775	OE. 60685775 FRAMING 156 2003>	SEK2,272.45
6	1117230	OE. 60619597 CROSSBAR	SEK1,504.05
7	11185792	OE. 60685792 CROSSRAIL 156 2003>	SEK1,504.05
8	11119994	OE. 60619994 BOXED PANEL 156	SEK1,248.75
9	1127311	OE. 60619296 FENDER FL 156 >2003	On request
10	1127312	OE. 60619295 FENDER FR 156 >2003	On request
11	11285919	OE. 60685919 FRONT FENDER 156 LEFT	On request
12	11285948	OE. 60685948 FRONT FENDER 156 RIGHT	On request
13	11274075	OE. 60674075	On request
14	11274073	OE. 60674073	On request
15	118504	OE. 60651067 GAS SPRING HATCH BACK 156 09.2000>	On request
16	1188355	OE. 60657685 GAS SPRING FOR TRUNK 156 WITH REAR WING	On request
17	1184833	OE. 60664833 GAS SPRING	SEK396.41

Stoßstangen/Bumpers 156



1	1317900	OE. 60779355 FRONT BUMPER 156	SEK2,692.17
2	13136542	Stoßfänger 156 vorne (Progression,D istinctive) Bj. 02-04	SEK3,577.25
3	13136544	FRONT BUMPER 156 GTA, YEAR >04	On request
4	13148541	OE. 156048541 FRONT BUMPER	SEK6,704.26
5	13148545	OE. 156048545 FRONT BUMPER	SEK6,284.54
6	13158976	Stoßfänger 156 GTA vorne Bj. 04> (F acelift) mit Scheinwerferwaschanlag e	On request
6	13158974	Stoßfänger 156 GTA vorne Bj. 04> (F acelift) ohne Scheinwerferwaschanla ge	On request
7	13220533	OE. 156020533 GRILLE 156 left	On request
8	13224078	OE. 156024078 GRILLE 156 right	On request
9	13235881	OE. 156035881 SCUDETTO	On request
10	13244881	OE. 156044881 GRILLE	On request
11	13244880	OE. 156044880 GRILLE	SEK453.57
12	13245002	OE. 156045002 GRILLE	On request
13	13245061	OE. 156045061 GRILLE	SEK1,853.84
14	1317950	OE. 60779356 REAR BUMPER	SEK4,372.43
15	1315362	Stossfänger hinten 156 SW	SEK4,359.53
16	13148553	Stoßfänger 156 hinten (Impression,P rogression,Distinctive) Bj. 04> (Fa celift)	SEK4,773.42
17	13158986	OE. 156058986 REAR BUMPER 156	SEK5,468.42
18	13139132	Zender Auspuff-Ausschnittblende 156 Serienschürze 1x90 mm	SEK708.87

Car Cover 156

1. 911 108 0
rot/red
- SW

2. 911 274 0
blau/blue
- SW

3. 911 112 0
rot/red
SW



1 9111080 CAR COVER ECOLINE GIULIA, RED

SEK687.92

Keilriemen/V-Belt 156 TS 16V

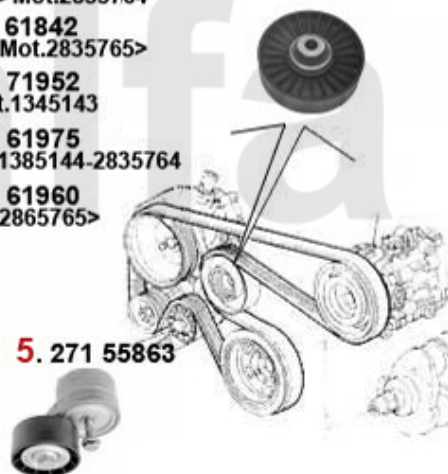
ohne/without AC:



- 1. 270 61045
1.6/1.8
- 2. 270 71083
2.0, >Mot.1385143
- 3. 270 61082
2.0, Mot.1385144-2835764
- 4. 270 61062
2.0, Mot.2865765>

5. 271 55863

mit/with AC:



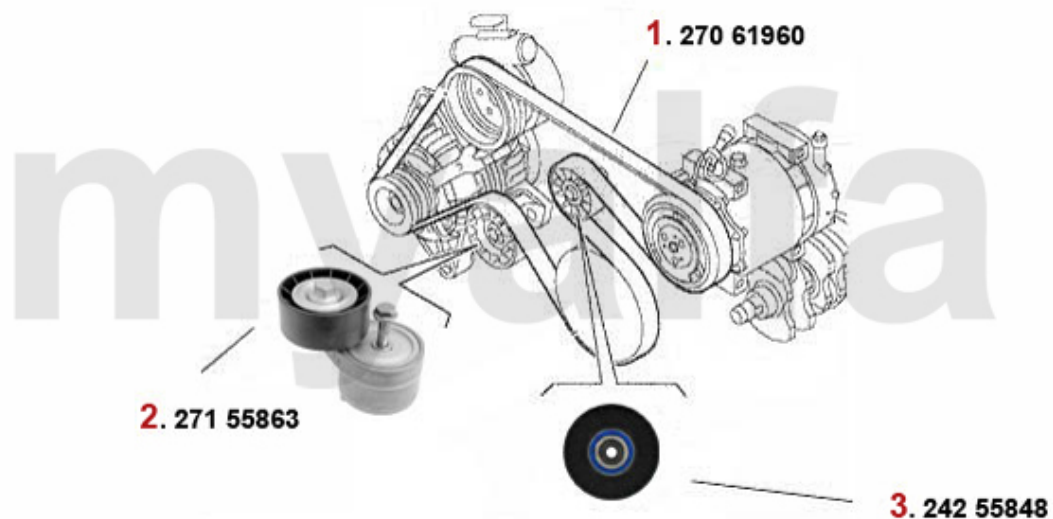
- 6. 242 55849
1.6/1.8
- 7. 242 55848
2.0

- 8. 270 61855
1.6/1.8, >Mot.2835764
- 9. 270 61842
1.6/1.8, Mot.2835765>
- 10. 270 71952
2.0, >Mot.1345143
- 11. 270 61975
2.0, Mot.1385144-2835764
- 12. 270 61960
2.0, Mot.2865765>

5. 271 55863

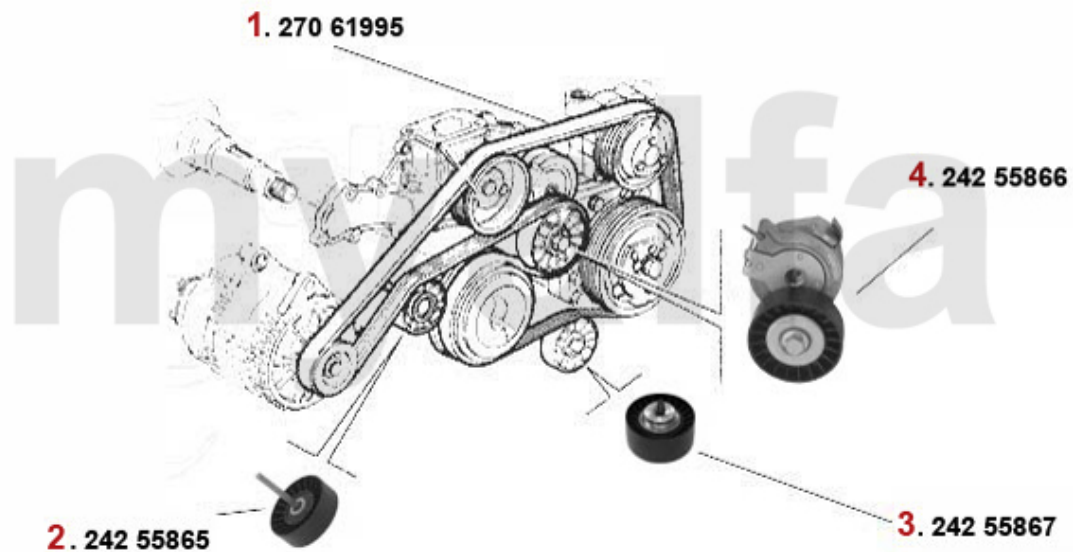
1	27061045	Keilrippenriemen 6PK1045 145/6 Bj. 97>,155,156,gtv&spider(916) 1.4/1.6/1.8 TS 16V ohne K	SEK234.35
2	27071083	Keilrippenriemen 7PK1083 145/6,155 156,166,gtv/spider (916) bis Motor # 1385143, Servopump	SEK426.80
3	27061082	Keilrippemriemen 6PK1082 145/6 2.0 TS 16V,147 2.0 TS/JTS,156/166 2.0 T S,gtv/spider (916)	SEK293.87
4	27061062	OE. 60676136 POLY-V BELT	SEK262.38
5	27155863	OE. 60814110 TENSIONER	SEK577.20
6	24255849	Umlenkrolle Keilrippenriemen 145/6/7,155/6,gtv/spider (916) 1.4/1.6/1.8 TS (mit Klima)	SEK460.51
7	24255848	OE. 60602136 IDLE PULLEY	SEK578.31
8	27061855	Keilrippenriemen 6PK1855 145/6 1.4/ 1.8 TS 16V Bj. 97>,1.6 TS,1.6/1.8 T S 16V,gtv/spider 1	SEK335.78
9	27061842	Keilrippenriemen 6PK1842 145/6 1.8 TS mit Klima,155 1.6/1.8 TS mit Kli ma,Nuovo GT,Generat	SEK359.09
10	27071952	OE. 60617859/60652358 V-BELT	SEK626.18
11	27061975	OE: 71753673 BELT	SEK329.95
12	27061960	OE. 60653030 V-BELT	SEK477.99

Keirlriemen/V-Belt 156 2.0 JTS



1	27061960	OE. 60653030 V-BELT	SEK477.99
2	27155863	OE. 60814110 TENSIONER	SEK577.20
3	24255848	OE. 60602136 IDLE PULLEY	SEK578.31

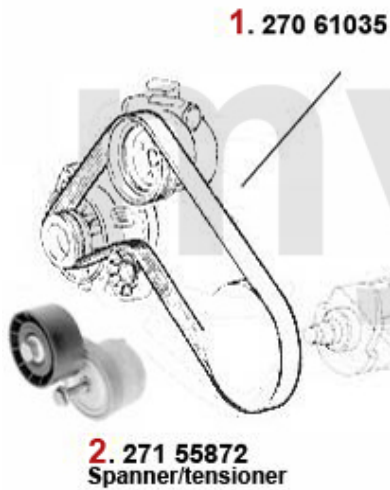
Keilriemen/V-Belt 156 3.2 V6 24V GTA



1	27061995	OE. 60626658 V-BELT	SEK410.42
2	24255865	OE. 55190054 IDLE PULLEY	SEK687.92
3	24255867	OE. 55190052 IDLE PULLEY	SEK559.72
4	24255866	OE. 55190053 TENSIONER	SEK1,499.47

Keilriemen/V-Belt 156 1.9 JTD 8V

ohne/without AC:

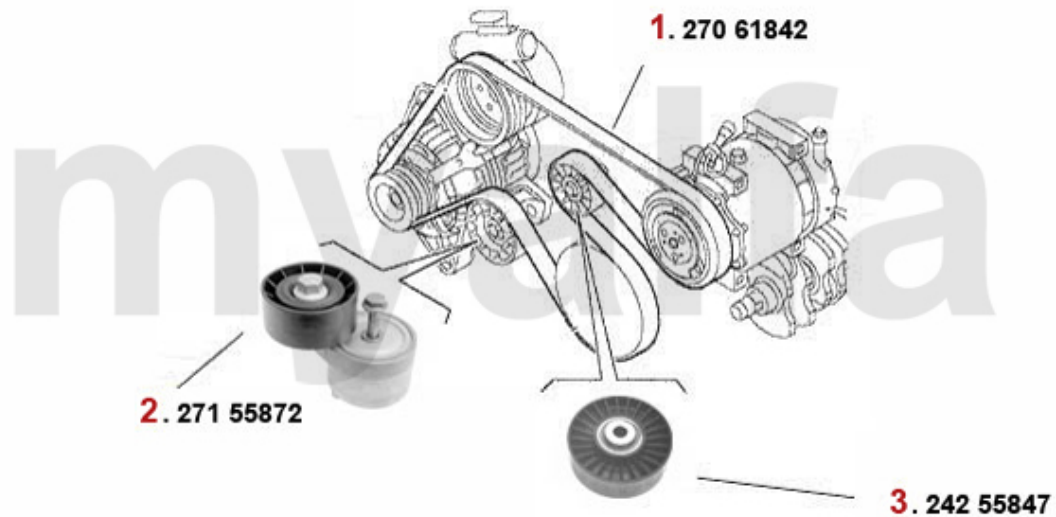


mit/with AC:



1	27061035	Keilrippenriemen 6PK1035 145/6,156, 147 1.9 JTD ohne Klima	SEK254.19
2	27155872	Spannarm Keilrippenriemen 145/6/7, 156 1.9 JTD (81/85KW mit/ohne Klima)	SEK493.26
3	27061842	Keilrippenriemen 6PK1842 145/6 1.8 TS mit Klima,155 1.6/1.8 TS mit Kli ma,Nuovo GT,Generat	SEK359.09
4	27155863	OE. 60814110 TENSIONER	SEK577.20
5	24255847	Umlenkrolle f. Keilrippenriemen 145 /6,147,156 1.9 JTD mit Klima	SEK357.98

Keilriemen/V-Belt 156 1.9 JTD 16V



1	27061842	Keilrippenriemen 6PK1842 145/6 1.8 TS mit Klima,155 1.6/1.8 TS mit Klima,Nuovo GT,Generat	SEK359.09
2	27155872	Spannarm Keilrippenriemen 145/6/7, 156 1.9 JTD (81/85KW mit/ohne Klima)	SEK493.26
3	24255847	Umlenkrolle f. Keilrippenriemen 145 /6,147,156 1.9 JTD mit Klima	SEK357.98

Keilriemen/V-Belt 156 2.4 JTD 10V

ohne/without AC:

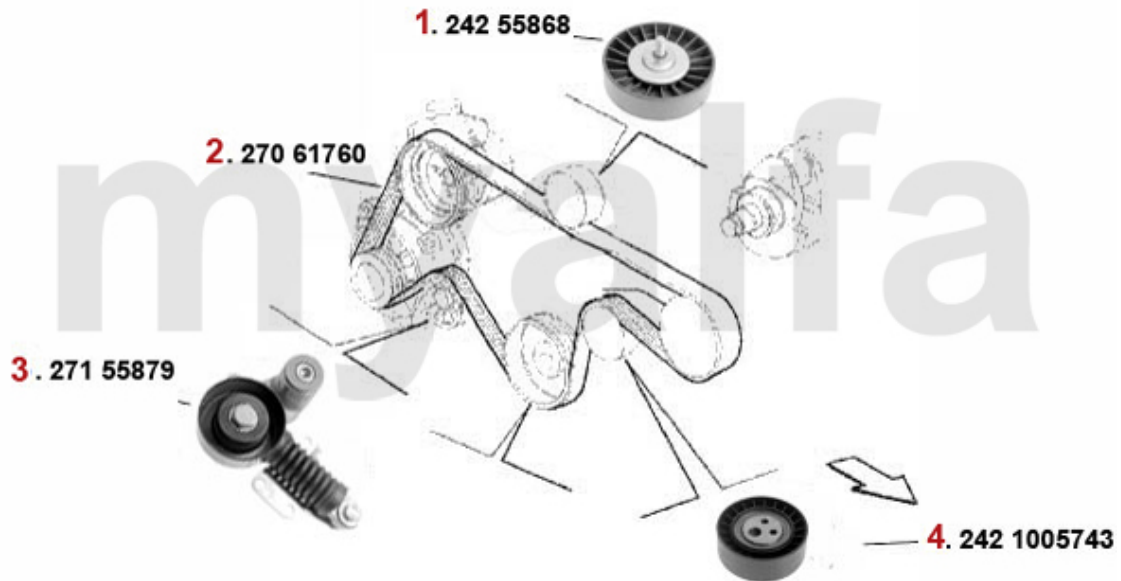


mit/with AC:



1	27061105	Keilrippenriemen 6PK1105 156 2.4JTD ohne Klima,Generator/Servopumpe	SEK304.28
2	27155879	OE. 55184761 TENSIONER	SEK2,021.73
3	24255868	Umlenkrolle Keilrippenriemen 156/ 166 2.4 JTD (mit Klima)	SEK467.59
4	27061760	Keilrippenriemen 6PK1760 156 2.4JTD Generator/Servopumpe/Klimakompressor	SEK378.93
5	24205743	Umlenkrolle Keilrippenriemen 156 2.4 JTD	SEK628.40

Keilriemen/V-Belt 156 2.4 JTD 20V



1	24255868	Umlenkrolle Keilrippenriemen 156/ 166 2.4 JTD (mit Klima)	SEK467.59
2	27061760	Keilrippenriemen 6PK1760 156 2.4JTD Generator/Servopumpe/ Klimakompressor	SEK378.93
3	27155879	OE. 55184761 TENSIONER	SEK2,021.73
4	24205743	Umlenkrolle Keilrippenriemen 156 2.4 JTD	SEK628.40

Kraftstoffpumpe/Fuel Pump 156 TS

1. 253 6505
1.6 TS, >#0084340

2. 253 6501
1.6 TS, #0084341>
1.8/2.0 TS CF2



3. 253 6510
1.6/1.8/2.0 TS CF3



1	2536505	OE. 60652212 FUEL PUMP 156 1.6 TS > #0084340	SEK2,942.89
2	2536501	OE. 60628082 FUEL PUMP 156 1.6 TS # 0084340>/1.8/2.0 TS CF2/2.5 V6 24V	SEK2,596.57
3	2536510	OE. 60654919/60682368 FUEL PUMP 156, Nuovo GT 1.6/1.8/2.0 TS/JTS CF3/2.5/3.2	SEK2,786.66

Kraftstoffpumpe/Fuel Pump 156 JTS



1 2536510 OE. 60654919/60682368 FUEL PUMP 156, Nuovo GT 1.6/1.8/2.0 TS/JTS
CF3/2.5/3.2

SEK2,786.66

Kraftstoffpumpe/Fuel Pump 156 2.5 V6 24V/GTA



1 2536510 OE. 60654919/60682368 FUEL PUMP 156, Nuovo GT 1.6/1.8/2.0 TS/JTS
CF3/2.5/3.2

SEK2,786.66

Kraftstoffpumpe/Fuel Pump 156 1.9 JTD 8V



1 . 253 6562
CF 2, >09.2000

2 . 253 6569
CF 3, 10.2000>

1	2536562	OE. 60664114 FUEL PUMP 156 1.9 JTD 8V > 09.2000	SEK2,369.30
2	2536569	OE. 60667034 FUEL PUMP 156 1.9/2.4 JTD 8/10V,16V/20V CF3	SEK2,572.15

Kraftstoffpumpe/Fuel Pump 156 1.9 JTD 16V



1. 253 6569

1 2536569 OE. 60667034 FUEL PUMP 156 1.9/2.4 JTD 8/10V,16V/20V CF3

SEK2,572.15

Kraftstoffpumpe/Fuel Pump 156 2.4 JTD 10V



1 . 253 6562
CF 2, >09.2000

2 . 253 6569
CF 3, 10.2000>

1	2536562	OE. 60664114 FUEL PUMP 156 1.9 JTD 8V > 09.2000	SEK2,369.30
2	2536569	OE. 60667034 FUEL PUMP 156 1.9/2.4 JTD 8/10V,16V/20V CF3	SEK2,572.15

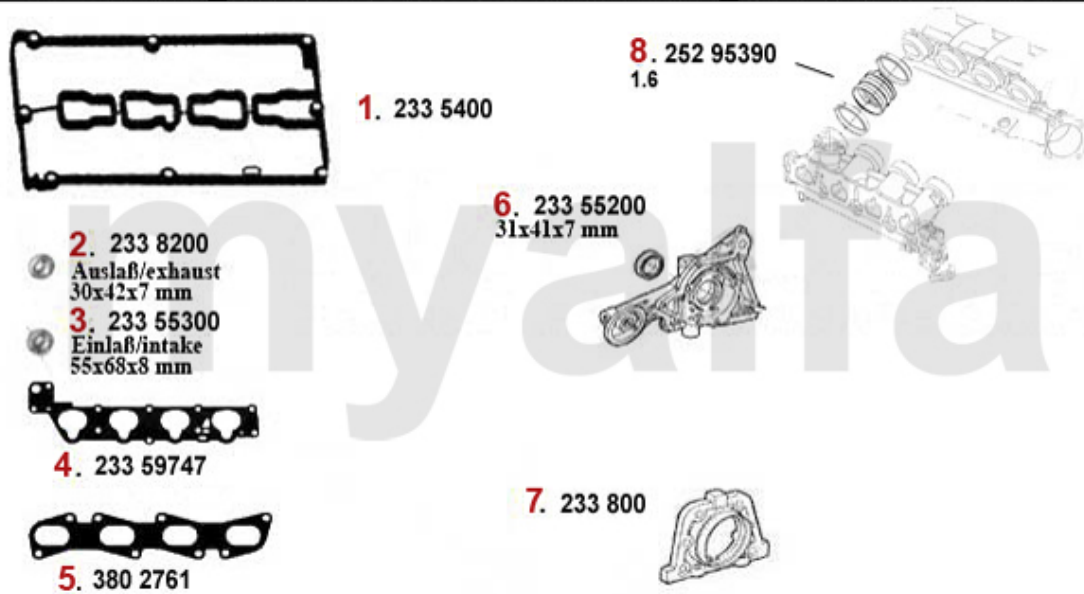
Kraftstoffpumpe/Fuel Pump 156 2.4 JTD 20V



1 2536569 OE. 60667034 FUEL PUMP 156 1.9/2.4 JTD 8/10V,16V/20V CF3

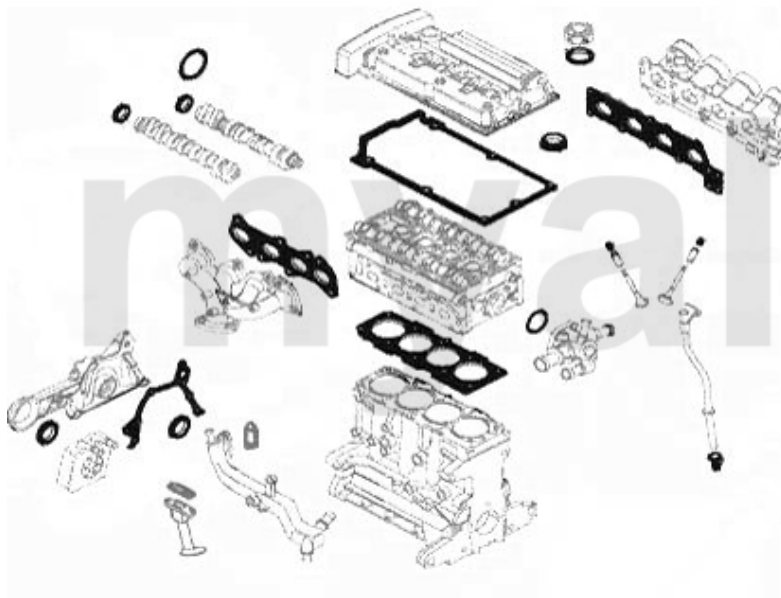
SEK2,572.15

Dichtungen Motor/Gaskets Engine 156 TS 16V



1	2335400	VALVE COVER GASKET FOR PLASTIC_VALVE COVER 145/6,156,gtv/Spider (916) FROM 04.98 ON	SEK416.25
2	2338200	OE. 71753052 SEALING GASKET	SEK204.10
3	23355300	SHAFT SEAL CAMSHAFT 145/6,15 5,156 1.6,1.7,1.8,2.0 16V TS	SEK208.68
4	23359747	Ansaugkrümmerdichtung 145/6,147,155 156,166,gtv/spider (916),Nuovo GT # 0165088> TS 16V	SEK293.87
5	3802761	OE. 55194028 HEATERGASKET	SEK285.69
6	23355200	Simmerring Kurbelwelle vorne (Riemensch.)145/6,155,156,166,gtv/spider(916) 1.4,1.6,1.7ie	SEK121.27
7	233800	Simmerring Kurbelwelle hinten (Schwungscheibe) 147 1.6 TS 16V/1.9 JTD Bj. 03 >,156 1.9/2.4	On request
8	25295390	OE. 60595390 INTAKERUBBER	SEK185.37

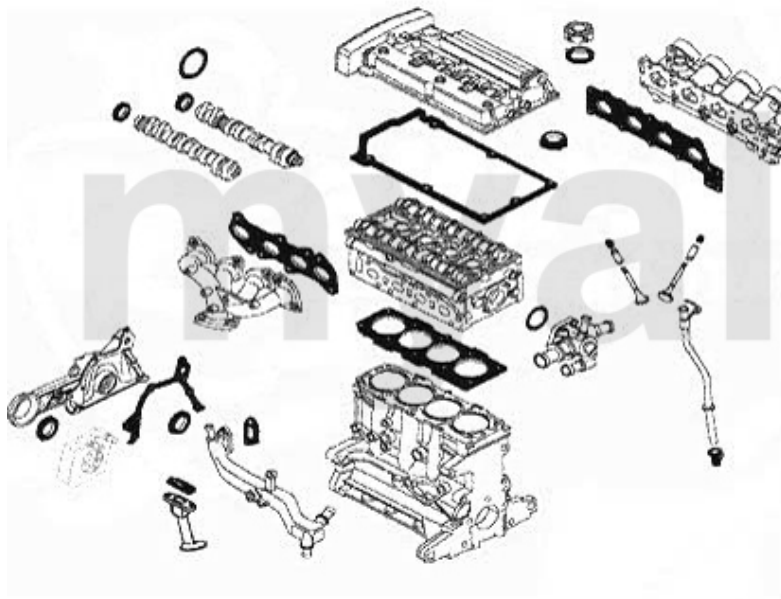
Kopfsatz/Head Set 156 TS 16V



- 1** . 232 40700
1.6 >#0084340
- 2** . 232 61700
1.6 #0084341>
1.8, CF2
- 3** . 232 60800
2.0, CF2
- 4** . 232 5740
1.8, CF3
2.0, CF3 >Mot.2832058
- 5** . 232 90500
2.0, CF3 Mot.2832059>

1	23240700	Kopfdichsatz 145/6,155,156,1661.6-2.0 TS 16V Bj. >98 Alu-Ventildeckel	SEK1,504.05
2	23261700	OE. 71713631 HEADSET	SEK1,543.73
3	23260800	Kopfdichsatz 145/6,156,gtv/spider (916) 2.0 16V TS Bj. 97-01 Kunststoff-Ventildeckel	On request
4	2325740	OE. 71717685 HEAD SET 147,156,Nuovo GT 1.8/2.0 TS CF3	SEK2,740.04
5	23290500	Kopfdichsatz 166 2.0 TS CF3 110 KW #2557365 >	SEK1,720.92

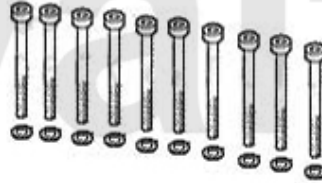
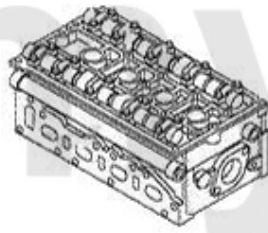
Motordichtsatz/Full Set 156 TS 16V



- 1.** 231 54200
1.6 >#0084340
- 2.** 231 74900
1.6 #0084341>
1.8, CF2
- 3.** 231 74000
2.0, CF2
- 4.** 231 3100
1.8, CF3
2.0, CF3 >Mot.2832058
- 5.** 231 6600
2.0, CF3 Mot.2832059>

1	23154200	Motordichtsatz 145/6,155,156,166 1.6 - 2.0 TS 16V Bj. >98 Alu-Ventildeckel	SEK1,853.84
2	23174900	OE. 71713632 FULL SET 1.6/1.8 TS 16V, 1997>	SEK1,853.84
3	23174000	Motordichtsatz 145/6,156,gtv/spider (916) 2.0 16V TS, Bj. 97> Kunststoff-Ventildeckel	SEK1,782.80
4	2313100	OE. 71717687 FULL SET	SEK2,786.66
5	2316600	Motordichtsatz 166 2.0 TS CF3 110KW #2557365 >	SEK1,902.82

Kopfschraubensatz/Head Srew Set 156 TS 16V



1. 228 1600
1.6

2. 228 152080
1.8/2.0

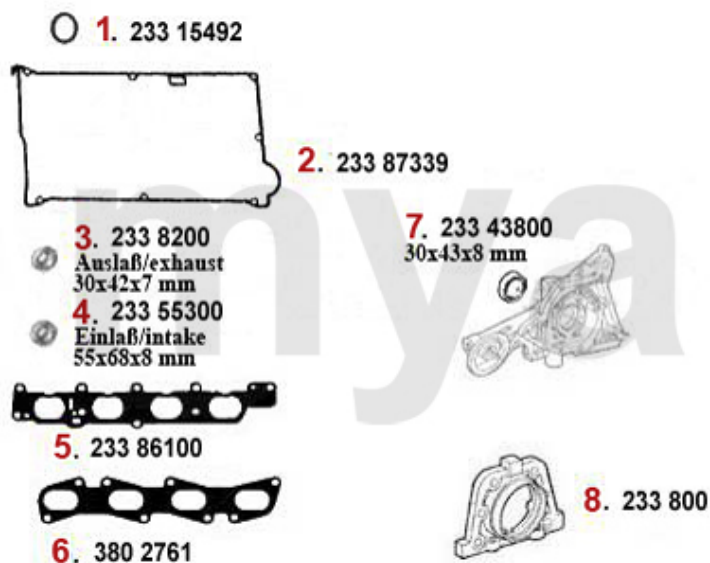
1 2281600 SET HEAD SCREWS 145/6,1.4/1. 6 TS 16V Bj. 96-01,147 1.6 TS 16V
76/88 KW,156 1.6 TS 16V

SEK635.48

2 22852080 OE. 7710582 HEAD SCREW SET

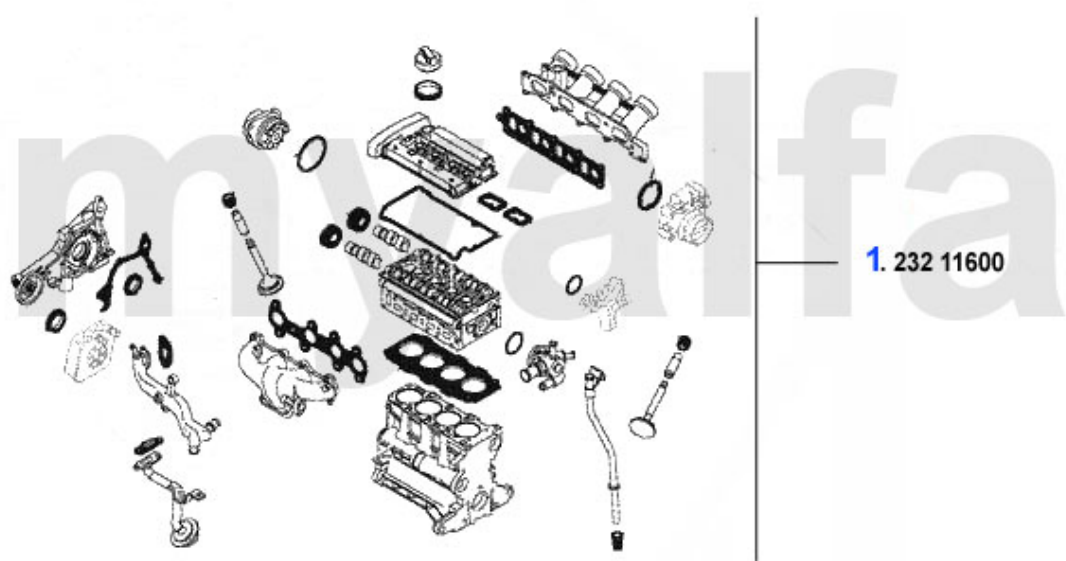
SEK804.47

Dichtungen Motor/Gaskets Engine 156 2.0 JTS



1	23315492	OE. 7715492 Rubber	SEK52.45
2	23387339	OE.60669492 VALVE COVER GASKET2.0 JTS 156, GTV/SPIDER (916),NUOVO GT	SEK623.82
3	2338200	OE. 71753052 SEALING GASKET	SEK204.10
4	23355300	SHAFT SEAL CAMSHAFT 145/6,15 5,156 1.6,1.7,1.8,2.0 16V TS	SEK208.68
5	23386100	Ansaugkrümmerdichtung 156,gtv / spider (916), Nuovo GT 2.0 JTS	SEK353.26
6	3802761	OE. 55194028 HEATERGASKET	SEK285.69
7	23343800	OILSEAL OE:40005010	SEK145.69
8	233800	Simmerring Kurbelwelle hinten (Schwungscheibe) 147 1.6 TS 16V/1.9 JTD Bj. 03 >,156 1.9/2.4	On request

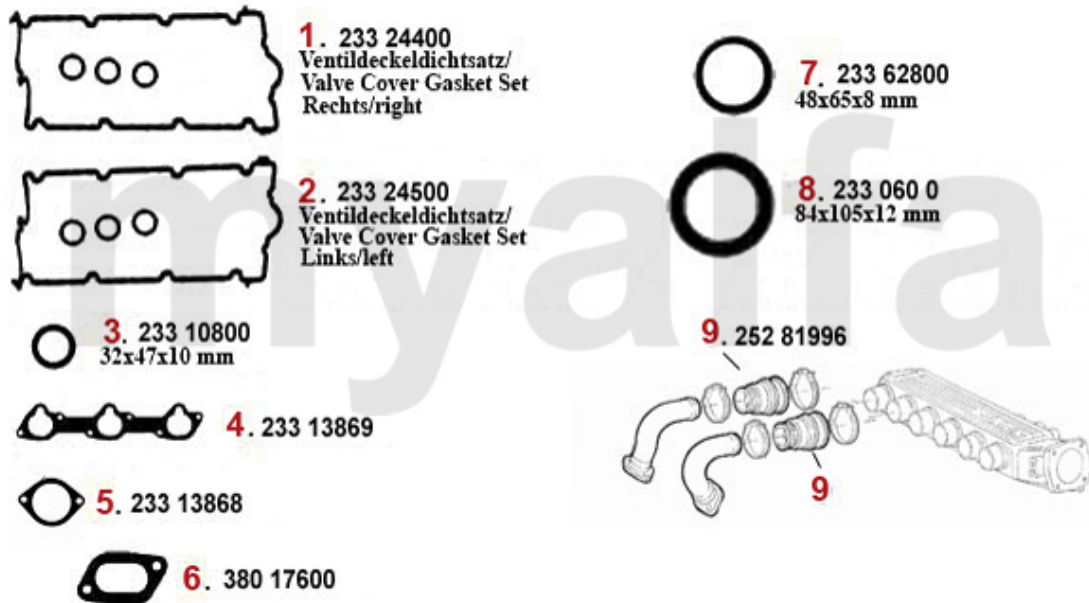
Kopfdichtsatz/Head Set 156 2.0 JTS



1 23211600 OE. 71752418 HEAD GASKET SET

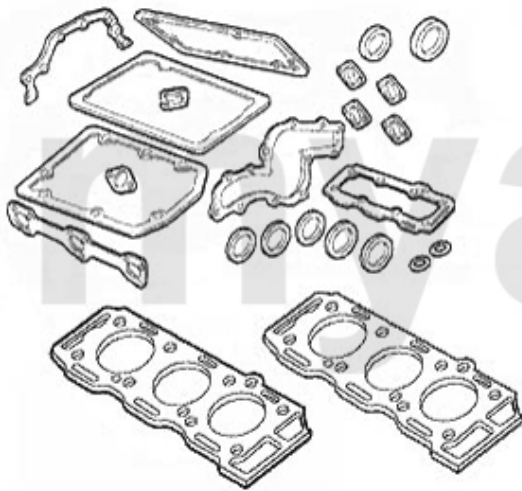
SEK2,157.01

Dichtungen Motor/Gaskets Engine 156 V6 24V/GTA



1	23324400	O.E. 60609978 VALVE COVER GASKET SET	SEK531.69
2	23324500	O.E. 60609979 VALVE COVER GASKET SET	SEK531.69
3	23310800	Seal for Camshaft #606 10 985/561 03 085	SEK145.69
4	23313869	INTAKE MANIFOLD GASKET 147, 156,164/SUPER,166,GTV/SPIDER (916),NUOVO GT V6 24V	SEK83.39
5	23313868	OE. 60513868 Sealing Gasket	SEK68.82
6	38017600	OE. 60573536 / 60810625 EXHAUST MANIFOLD GASKET	SEK115.44
7	23362800	OE. 60601977 CRANKSHAFT SEALS	SEK192.45
8	2330600	OIL SEAL CRANK SHAFT REAR 84/105/12 SPIDER IE 1990-93 ORIGINAL QUALITY	SEK406.95
9	25281996	OE. 60581996 SEAL	On request

Kopfdichtsatz/Head Set 156 V6 24V/GTA



1. 232 60900
2.5 V6 24V

2. 232 61000
3.2 V6 24V/GTA

1 23260900 OE. 71712434 HEAD SET 24V

SEK2,623.49

2 23261000 HEAD GASKET SET 147,156,166,GTV/Spider (916), NUOVO GT V6 24V/
GTA

SEK3,381.34

Motordichtsatz/Full Set 156 V6 24V/GTA



1. 231 74100
2.5 V6 24V

2. 231 74200
3.2 V6 24V/GTA

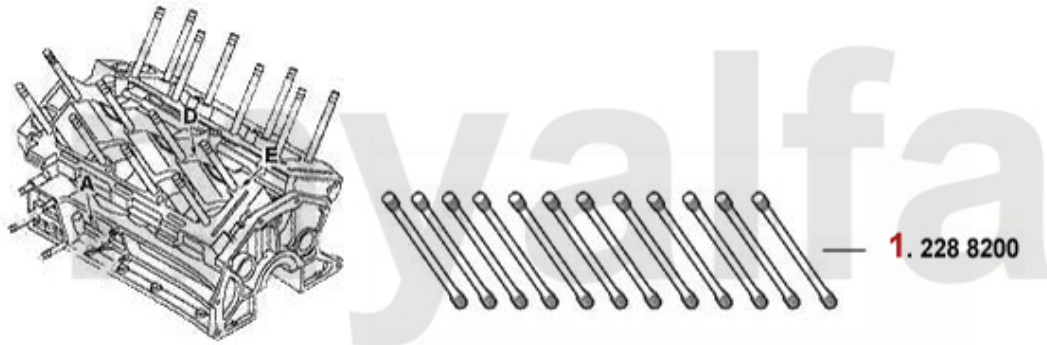
1 23174100 *Motordichtsatz 156,166 2.5 V6 24V*

SEK3,015.18

2 23174200 *Motordichtsatz 147,156,166,gtv/spid er (916),Nuovo GT V6 24V/GTA*

SEK2,203.63

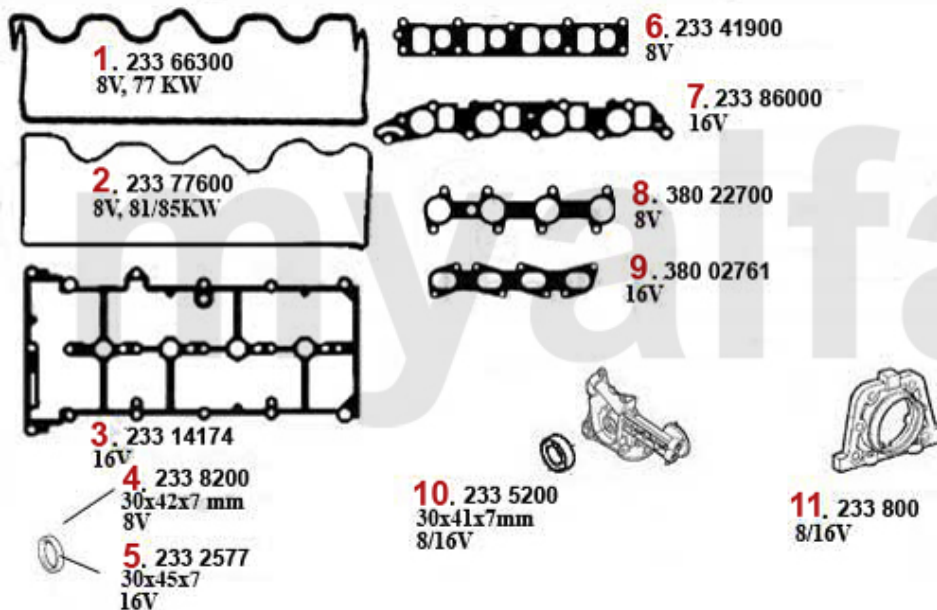
Kopfschraubensatz/Head Screw Set 156 V6 24V/GTA



1 2288200 Stud-Set Cylinder Head # 605 13 756

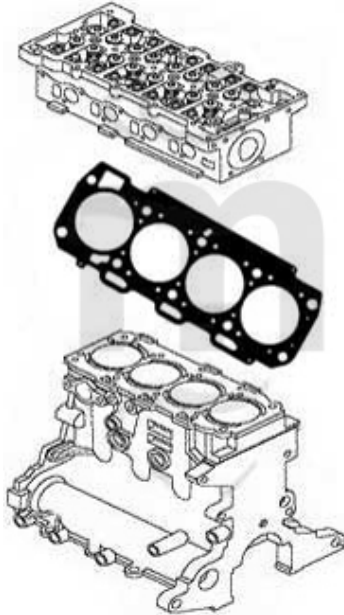
SEK1,365.30

Dichtungen Motor/Gaskets Engine 156 1.9 JTD



1	23366300	Ventildeckeldichtung 145/6,156 1.9 JTD CF2 Bj. 97-01 74KW	On request
2	23377600	Ventildeckeldichtung 147,156 1.9 JT D 8V 81/85 KW	On request
3	23314174	VALVE COVER GASKET 147,156, NUOVO GT 1.9 JTD 16V	SEK250.72
4	2338200	OE. 71753052 SEALING GASKET	SEK204.10
5	2332577	Simmerring Nockenwelle 147, 156,166,Nuovo GT 1.9/2.4 JTD 16V/20V	SEK77.01
6	23341901	Ansaugkrümmerdichtung 145/6 147,156 1.9 JTD	SEK178.43
7	23386000	INTAKE MANIFOLD GASKET 147,156NUOVO GT 1.9 JTD 16V	SEK165.53
8	38022700	Abgaskrümmerdichtung 145/6 147,156 1.9 JTD	SEK191.20
9	3802761	OE. 55194028 HEATERGASKET	SEK285.69
10	23355200	Simmerring Kurbelwelle vorne (Riemensch.)145/6,155,156,166,gtv/spider(916) 1.4,1.6,1.7ie	SEK121.27
11	233800	Simmerring Kurbelwelle hinten (Schwungscheibe) 147 1.6 TS 16V/1.9 JTD Bj. 03 >,156 1.9/2.4	On request

Kopfdichtung/Head Gasket 156 1.9 JTD



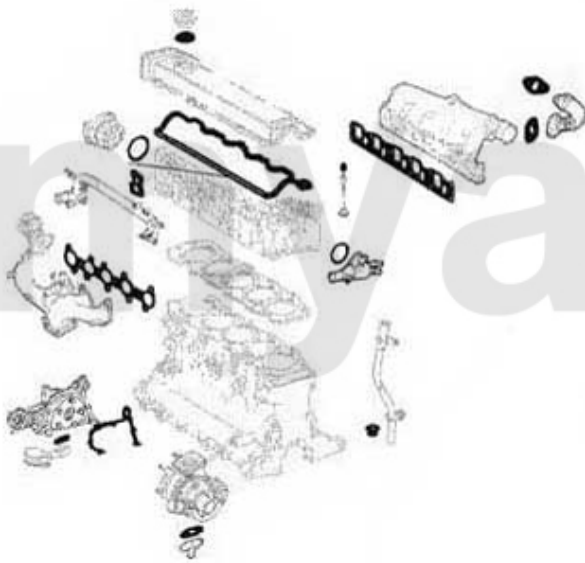
Achtung/Attention:

Beim Bestellen der Kopfdichtung bitte auf die entsprechende Markierung achten!
Before you order the headgasket, please note the marking!

1. 233 20100 8V, 77KW 1,60 mm	4. 233 23900 8V, 81/85KW 0,82 mm	7. 233 52500 16V - 0,82 mm
2. 233 20110 8V, 77KW 1,70 mm	5. 233 23910 8V, 81/85KW 0,92 mm	8. 233 52510 16V - 0,92 mm
3. 233 20120 8V, 77KW 1,80 mm	6. 233 23920 8V, 81/85KW 1,02 mm	9. 233 52520 16V - 1,02 mm

1	23320100	Kopfdichtung 145/6,156 1.9 JTD Bj. 97-01 1.60 mm 0 kerbe	SEK1,058.66
2	23320110	Kopfdichtung 145/6,156 1.9 JTD Bj. 97-01 Dicke: 1.70 mm 1 Kerbe	SEK610.92
3	23320120	Kopfdichtung 145/6,156 1.9 JTD Bj. 97-01 dicke: 1.80 mm 2 Kerben	SEK610.92
4	23323900	Kopfdichtung 147,156 1.9 JTD 8V 81/ 85KW ACHTUNG: auf Markierung achten 0 Kerben	SEK467.59
5	23323910	OE. 55202010 HEAD GASKET	SEK699.58
6	23323920	Kopfdichtung 147,156 1.9 JTD 8V 81/ 85KW ACHTUNG: auf Markierung achten 2 Kerben	SEK526.97
7	23352500	HEAD GASKET 147,156,NUOVO GT 1.9 JTD 16V - GASKET VERSION WITH 0 NOTCHES	SEK804.47
8	23352510	OE.46771927 HEAD GASKET	SEK710.12
9	23352520	HEAD GASKET 147,156,NUOVO GT 1.9 JTD 16V	SEK748.56

Kopfdichtsatz/Head Set 156 1.9 JTD

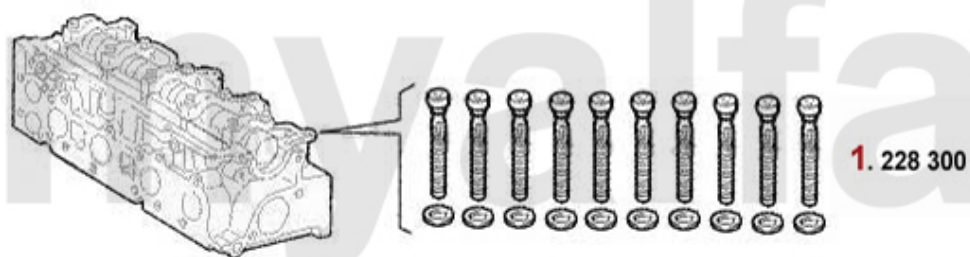


1. 232 10400
8V, 77KW
2. 232 1200
8V, 81/85 KW
>Mot.4081111
3. 232 9971
8V, 85 KW
Mot. 4081112 >
4. 232 16700
16V

Achtung/Attention:
Ohne Kopfdichtung, Kopfdichtung
bitte separat bestellen!
Without Headgasket, please order it
separate!

1	23210400	OE.60814724 HEAD SEALING SET 145/6,156 1.9 JTD FROM 1997 TO 2001 W/O HEADGASKET	SEK706.52
2	2321200	OE.71718130/71718658 HEAD GASKET SET 147, 156 1.9 JTD 8V 81/85KW >#4081111 WITHOUT CYLINDER HEAD GASKET	SEK825.56
3	2329971	Kopfdichsatz (ohne ZKD) 147,156 1.9 JTD 8V 81/85KW Mot.# 4081111>	SEK687.92
4	23216700	OE.71730124 HEAD GASKET SET 147, 156, Nuovo GT 1.9 JTD 16VWITHOUT CYLINDER HEAD GASKET	SEK1,434.12

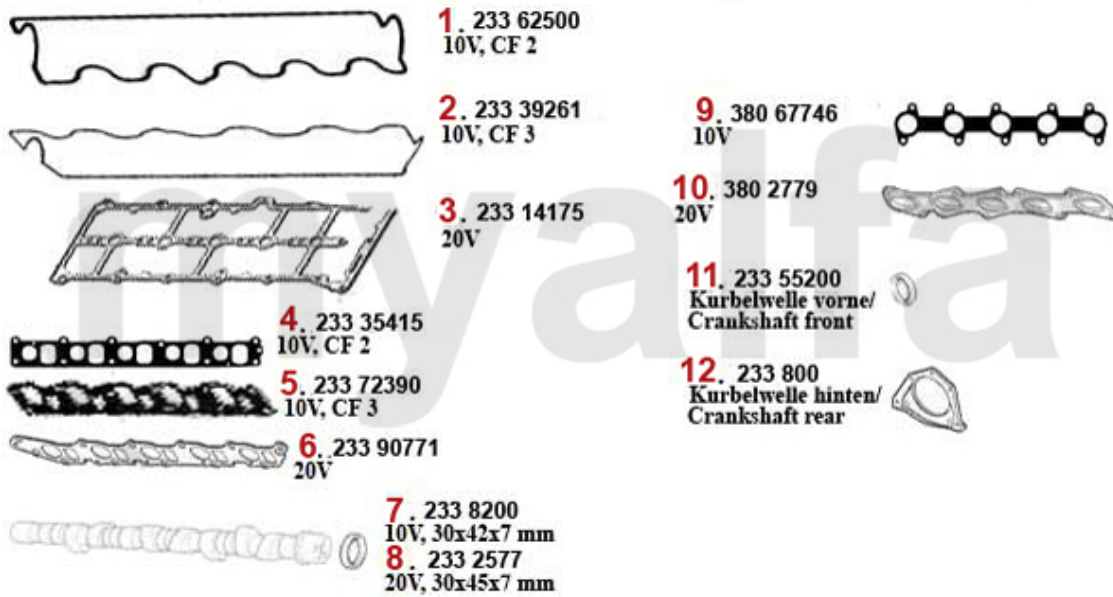
Kopfschraubensatz/Head Srew Set 156 1.9 JTD



1 228300 *Kopfschraubensatz 145/6,147 156 1.9 JTD 8V 74/85KW*

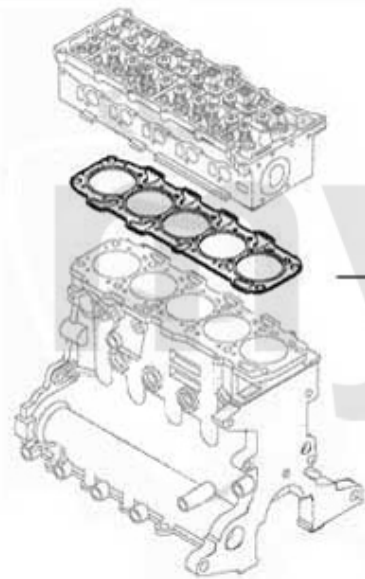
SEK571.37

Dichtungen Motor/Gaskets Engine 156 2.4 JTD



1	23362500	VALVE COVER GASKET 156,166 2.4 JTD CF 2 FROM 09.1997 UP TO 10.2000	On request
2	23339261	OE. 46739261/60816566 Gasket	On request
3	23314175	OE. 46814175 Gasket	On request
4	23335415	OE. 60814987/7735415 Gasket	SEK208.68
5	23372390	Ansaugkrümmerdichtung 156,166 2.4 JTD CF 3 10V	SEK274.03
6	23390771	OE. 55190771 Gasket	SEK235.46
7	2338200	OE. 71753052 SEALING GASKET	SEK204.10
8	2332577	Simmerring Nockenwelle 147, 156,166,Nuovo GT 1.9/2.4 JTD 16V/20V	SEK77.01
9	38067746	OE. 60813631/46414437/46467746	SEK219.23
10	3802779	OE. 73502779 Gasket	SEK453.57
11	23355200	Simmerring Kurbelwelle vorne (Riemensch.)145/6,155,156,166,gtv/spider(916) 1.4,1.6,1.7ie	SEK121.27
12	233800	Simmerring Kurbelwelle hinten (Schwungscheibe) 147 1.6 TS 16V/1.9 JTD Bj. 03 >,156 1.9/2.4	On request

Kopfdichtung/Headgasket 156 2.4 JTD



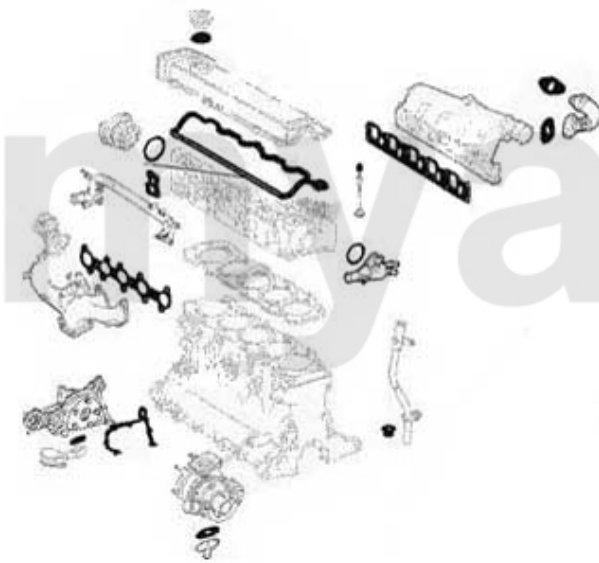
Achtung/Attention:

Beim Bestellen der Kopfdichtung bitte auf die entsprechende Markierung achten!
Before you order the headgasket, please note the marking!

- | | |
|--|--|
| 1. 233 20200
10V, CF2, 1.60 mm | 4. 233 37200
10V, CF3, 0,82 mm |
| 2. 233 20410
10V, CF2, 1.70 mm | 5. 233 37210
10V, CF3, 0,92 mm |
| 3. 233 20220
10V, CF2, 1.80 mm | 6. 233 37220
10V, CF3, 1,02 mm |
| | 7. 233 90353
20V, 0,82 mm |
| | 8. 233 90354
20V, 0,92 mm |
| | 9. 233 90355
20V, 1,02 mm |

1	23320200	Kopfdichtung 156,166 2.4 JTD Bj. 97-00 Dicke: 1.60 mm 0 Kerben	SEK728.72
2	23320210	Kopfdichtung 156,166 2.4 JTD Bj. 97-00 Dicke: 1.70 mm 1 Kerbe	SEK728.72
3	23320220	Kopfdichtung 156,166 2.4 JTD Bj. 97-00 Dicke: 1.80 mm 2 Kerben	SEK728.72
4	23337200	HEAD GASKET 156,166 2.4 JTD CF3 103/110 KW	SEK1,270.95
5	23337210	Kopfdichtung 156,166 2.4 JTD CF3 103/110 KW ACHTUNG: auf Markierung achten 1 Kerbe	SEK825.56
6	23337220	HEAD GASKET 156,166 2.4 JTD CF3 103/110 KW IMPORTANT : WATCH MARKING - 2 NOTCHES	SEK901.88
7	23390353	Kopfdichtung 156,166 2.4 JTD 129 KW ACHTUNG: auf Markierung achten 0 Kerben	SEK658.79
8	23390354	Kopfdichtung 156,166 2.4 JTD 129 KW ACHTUNG: auf Markierung achten 1 Kerbe	SEK1,001.50
9	23390355	Kopfdichtung 156,166 2.4 JTD 129 KW ACHTUNG: auf Markierung achten 2 Kerben	SEK658.79

Kopfdichtsatz/Head Set 156 2.4 JTD

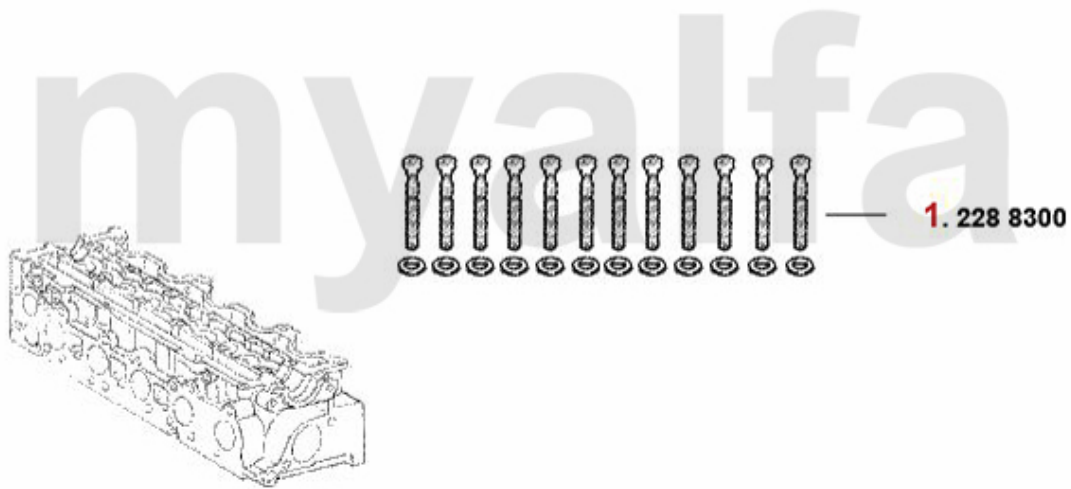


- 1.** 232 10500
10V, CF2
- 2.** 232 14300
10V, CF3
- 3.** 232 34259
20V

Achtung/Attention:
Ohne Kopfdichtung, Kopfdichtung
bitte separat bestellen!
Without Headgasket, please order it
separate!

1	23210500	OE.60814969 HEAD GASKET SET 156,166 2.4 JTD 1997-2001 W/O CYLINDER HEAD GASKET SET	SEK886.20
2	23214300	GASKET SET (WITHOUT CYLINDER HEAD GASKET) 156 166 2.4 JTD CF3 103/110 KW	SEK1,392.77
3	23234259	Kopfdichtsatz (ohne ZKD) 156 166 2.4 JTD CF3 129KW	SEK1,282.61

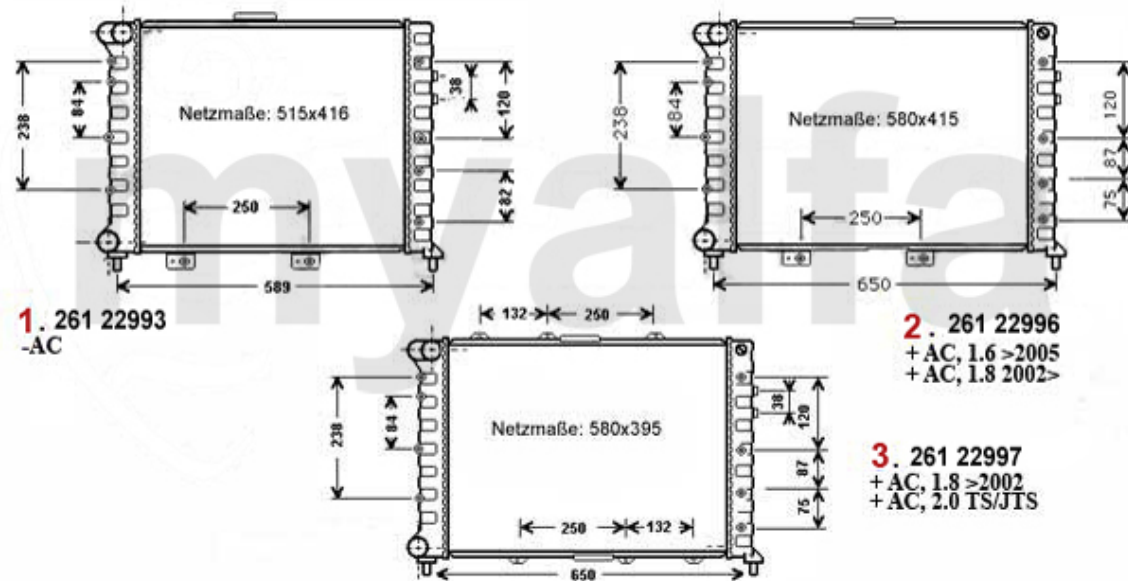
Kopfschraubensatz/Head Scew Set 156 2.4 JTD



1 2288300 Kopfschraubensatz 156,166 2.4 JTD

SEK706.52

Kühler/Radiator 156 TS



- 1 26122993 *Motorkühler 156 1.6/1.8/2.0 16V TS ohne Klima Bj. >10.00*
- 2 26122996 *OE: 60663071 RADIATOR*
- 3 26122997 *OE: 60651921/71753211 RADIATOR*

SEK3,019.89
SEK2,087.08
SEK3,952.57

Thermostat 156 TS

1. 263 650688



1 26350688 OE. 60653946 THERMOSTAT

SEK786.99

Wasserpumpe/Waterpump 156 TS

1. 262 410
1.6/1.8 >2002
Ø 67.8 mm



2. 262 310
1.6/1.8 2002->
2.0
Ø 70.8 mm



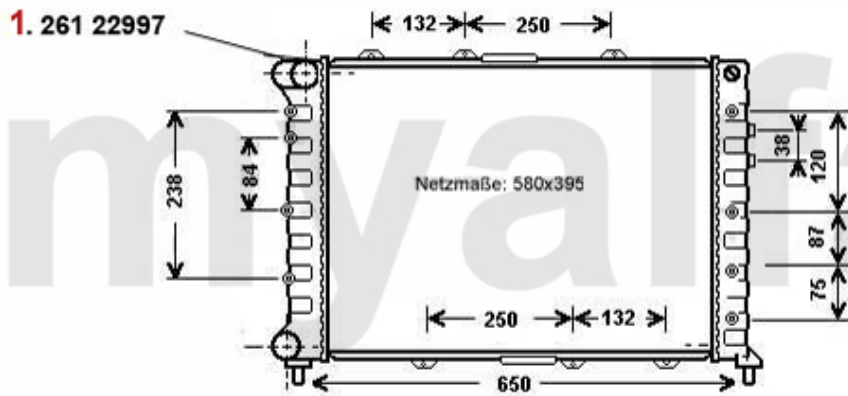
1 262410 WATER PUMP 145/6 1.6 ie 16V TS,155 /6 1.6/1.8 ie 16V TS, Nuovo GT 1.8 TS

SEK804.47

2 262310 OE. 60586222 WATERPUMP TS 16V

SEK869.82

Kühler/Radiator 156 JTS



1 26122997 OE. 60651921/71753211 RADIATOR

SEK3,952.57

Termostato 156 JTS



1. 263 76067

1 26376067 OE. 60676067 THERMOSTAT 156, gtv/spider (916),Nuovo GT 2.0

SEK846.51

Wasserpumpe/Waterpump 156 JTS

1. 262 310



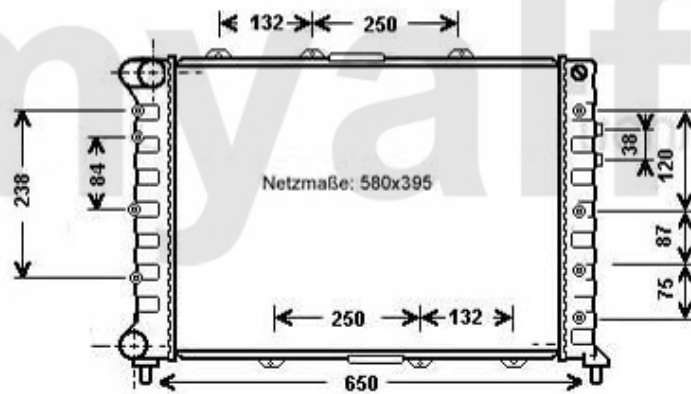
1 262310 OE. 60586222 WATERPUMP TS 16V

SEK869.82

Kühler/Radiator 156 V6 24V/GTA

1. 261 22997
2.5 V6 24V

2. 261 90406
3.2 V6 24V/GTA



1 26122997 OE. 60651921/71753211 RADIATOR

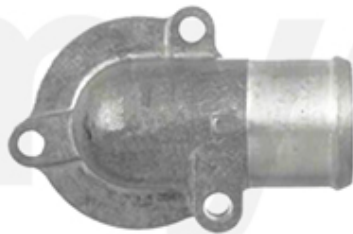
SEK3,952.57

2 26190406 OE. 60690406 RADIATOR 147 3.2 V6 24V/GTA

SEK4,430.70

Thermostat 156 V6 24V/GTA

1. 263 657187



2



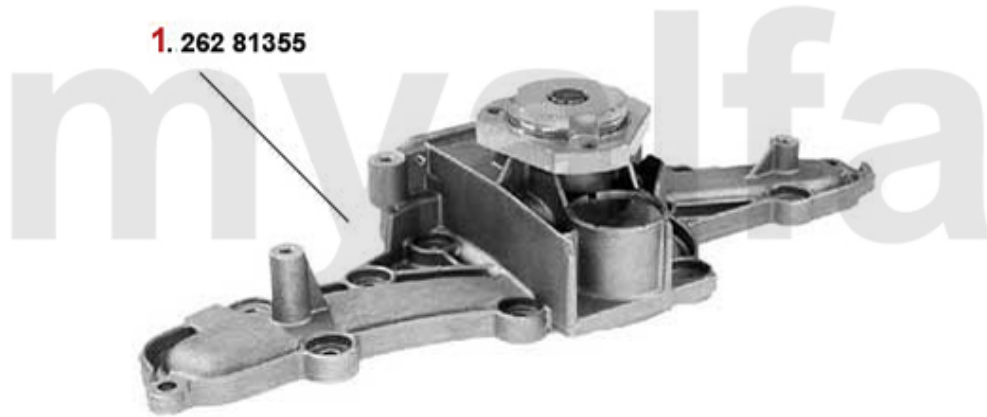
1 26357187 OE. 60563989 THERMOTAT

SEK879.12

2 26314637 THERMOSTAT INLAY FOR VARIOUS V6 MOTORS

SEK406.95

Wasserpumpe/Waterpump 156 V6 24V/GTA

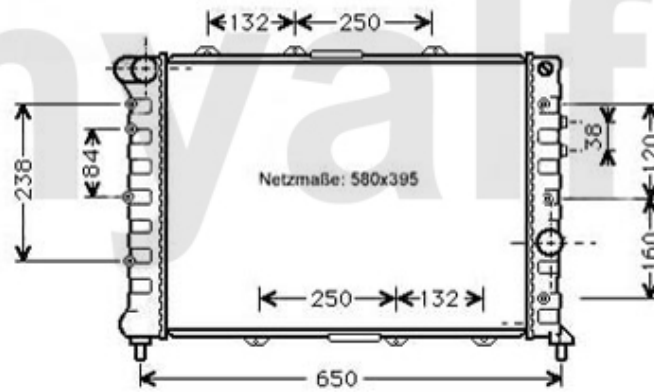


1 26281355 OE. 60816018 WATERPUMP V6 24V

SEK1,842.18

Kühler/Radiator 156 1.9 JTD 8V

1. 261 22998



1 26122998 OE: 50501508 RADIATOR

SEK3,099.12

Thermostat 156 1.9 JTD 8V

1. 263 648988
CF 2/>Mot.1415540

2. 263 655188
CF 2/Mot.1415541>

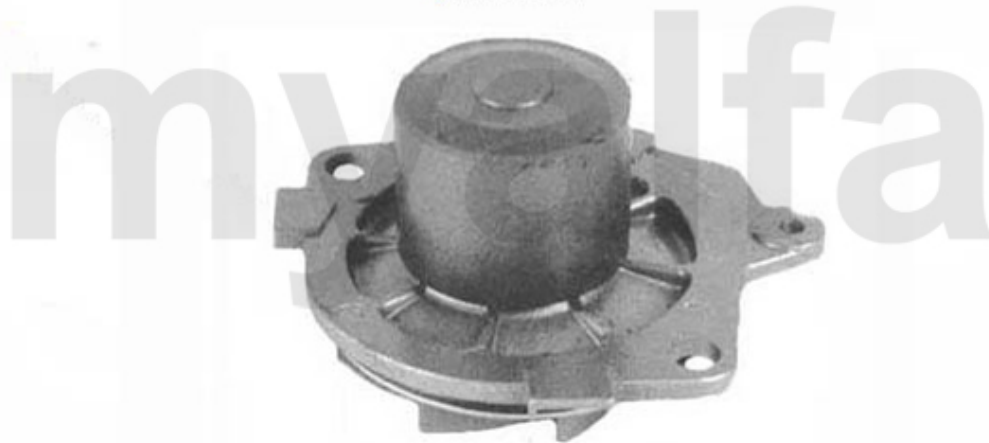


3. 263 682688
CF 3

1	26348988	Thermostat 156 1.9 JTD Gehäusetherm ostat	SEK689.03
2	26355188	THERMOSTAT 145/6,156,1.9 JTD CASE THERMOSTAT	SEK1,428.29
3	26382688	OE. 46795667 THERMOSTAT 156, 166 1.9/2.4 JTD CF3	SEK1,210.32

Wasserpumpe/Waterpump 156 1.9 JTD 8V

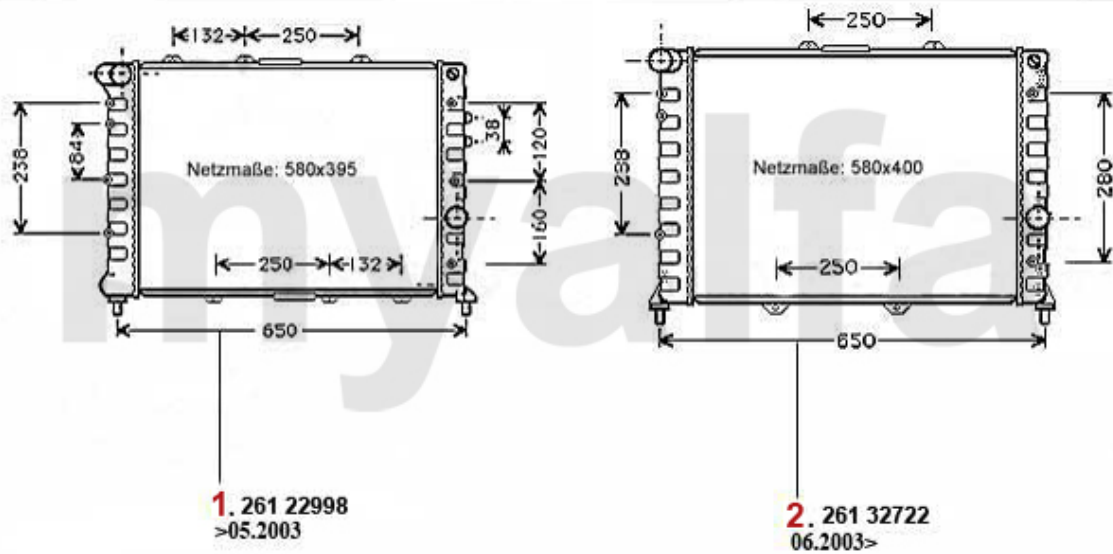
1. 262 15970



1 26215970 OE. 46515970 WATER PUMP 1.9/2.4 8/10 V

SEK706.52

Kühler/Radiator 156 1.9 JTD 16V



- 1** 26122998 OE: 50501508 RADIATOR
- 2** 26132722 OE: 60656716 RADIATOR

SEK3,099.12
SEK4,016.81

Thermostat 156 1.9 JTD 16V

1. 263 688288



1 26388288 OE. 55189843 THERMOSTAT 156, 166 1.9/2.4 JTD 10/20V

SEK1,387.50

Wasserpumpe/Waterpump 156 1.9 JTD 16V

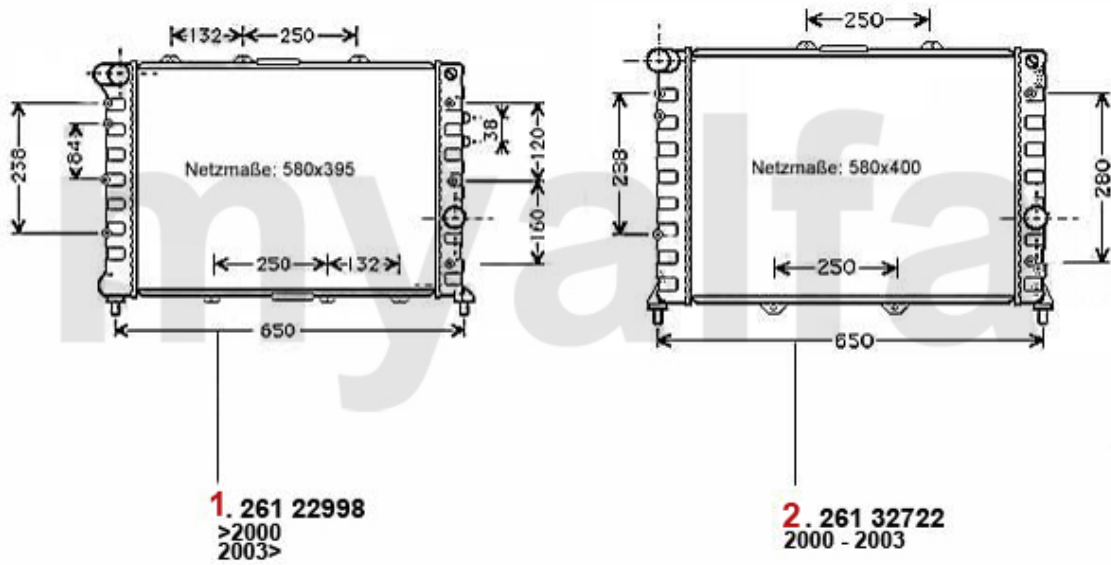
1. 262 4051



1 2624051 OE. 55209993 WATERPUMP 1.9/2.4 16/20 V

SEK907.15

Kühler/Radiator 156 2.4 JTD 10V



1 26122998 OE: 50501508 RADIATOR

SEK3,099.12

2 26132722 OE:60656716 RADIATOR

SEK4,016.81

Thermostat 156 2.4 JTD 10V

1. 263 648988
CF2, >Mot.1283805

2. 263 655188
CF2, Mot.1283806>



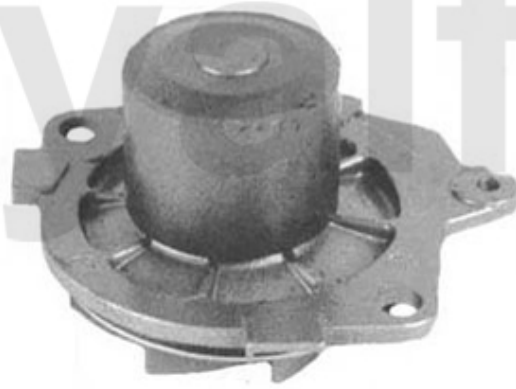
3. 263 682588
CF3

1	26348988	Thermostat 156 1.9 JTD Gehäusetherm ostat	SEK689.03
2	26355188	THERMOSTAT 145/6,156,1.9 JTD CASE THERMOSTAT	SEK1,428.29
3	26382588	OE. 46822435 THERMOSTAT 156 2.4 JTD 10V 110 KW	SEK1,311.74

Wasserpumpe/Waterpump 156 2.4 JTD 10V

1. 262 15970

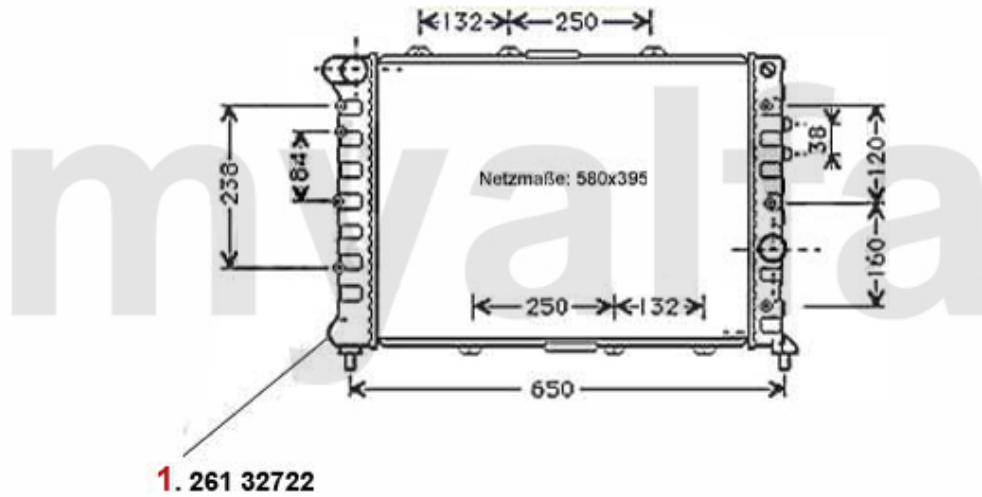
myalfa



1 26215970 OE. 46515970 WATER PUMP 1.9/2.4 8/10 V

SEK706.52

Kühler/Radiator 156 2.4 JTD 20V



1 26132722 OE:60656716 RADIATOR

SEK4,016.81

Termostat 156 2.4 JTD 20V



1. 263 688288

1 26388288 OE. 55189843 THERMOSTAT 156, 166 1.9/2.4 JTD 10/20V

SEK1,387.50

Wasserpumpe/Waterpump 156 2.4 JTD 20V

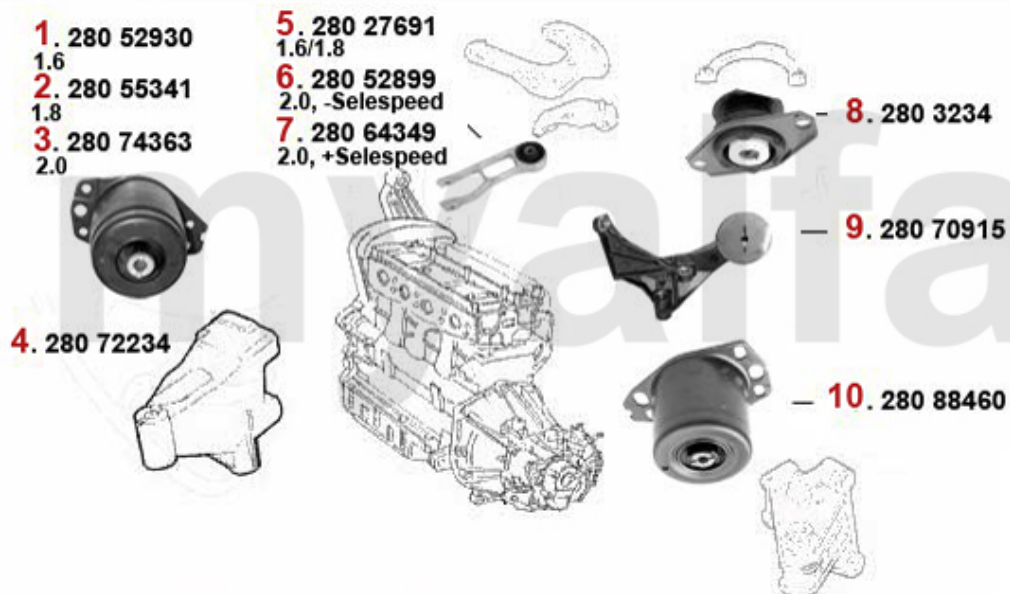
1. 262 4051



1 2624051 OE. 55209993 WATERPUMP 1.9/2.4 16/20 V

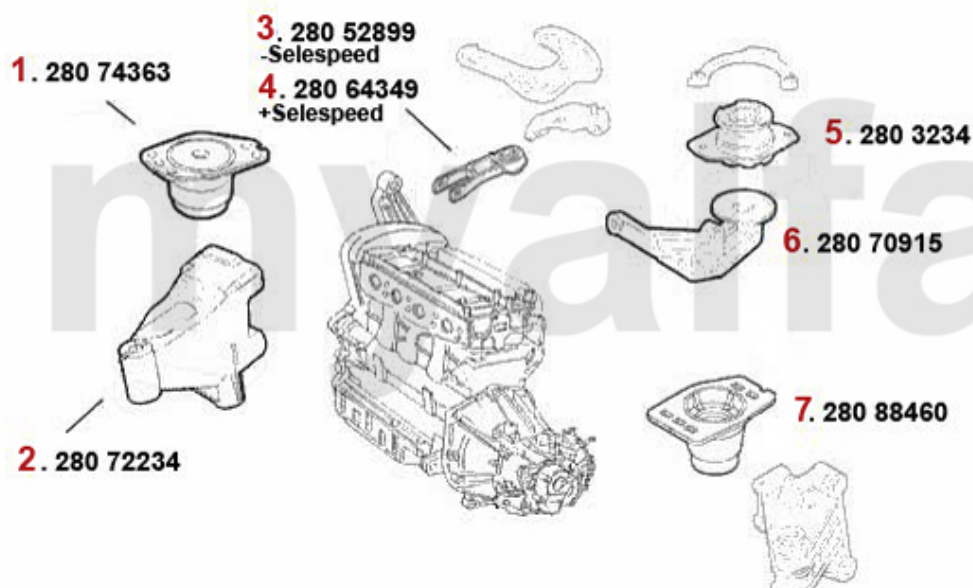
SEK907.15

Motorlager/Enginemount 156 TS 16V



2	28055341	OE. 60655341 ENGINE MOUNT FL 156, gtv/spider (916) 1.8 TS	On request
3	28074363	OE. 60674363 ENGINE MOUNT FL 147,156/SW, Nuovo GT 2.0	On request
4	28072234	OE. 60672234 ENGINEMOUNT FR. 156 2002>, gtv/spider (916) 1998>, Nuovo GT TS 16V	SEK839.44
5	28027691	OE. 60627691 ENGINEMOUNT RR 145/6,155, 156,gtv/spider (916),Nuovo GT TS 16V	SEK418.61
6	28052899	OE. 60652899 ENGINE MOUNT 145/6 2.0 TS, 147 all,156, gtv/spider (916) 1998>, Nuovo	SEK460.51
7	28064349	OE. 60664349 ENGINEROD 147, 156/SW,Nouvo GT 2.0 TS/JTS	On request
8	2803234	OE. 7652240/60808861 ENGINE MOUNT	SEK926.99
9	28070915	OE. 7770915 SUPPORT	SEK3,719.47
10	28088460	OE. 7782435 ENGINEMOUNT	SEK2,320.32

Motorlager/Enginemount 156 JTS



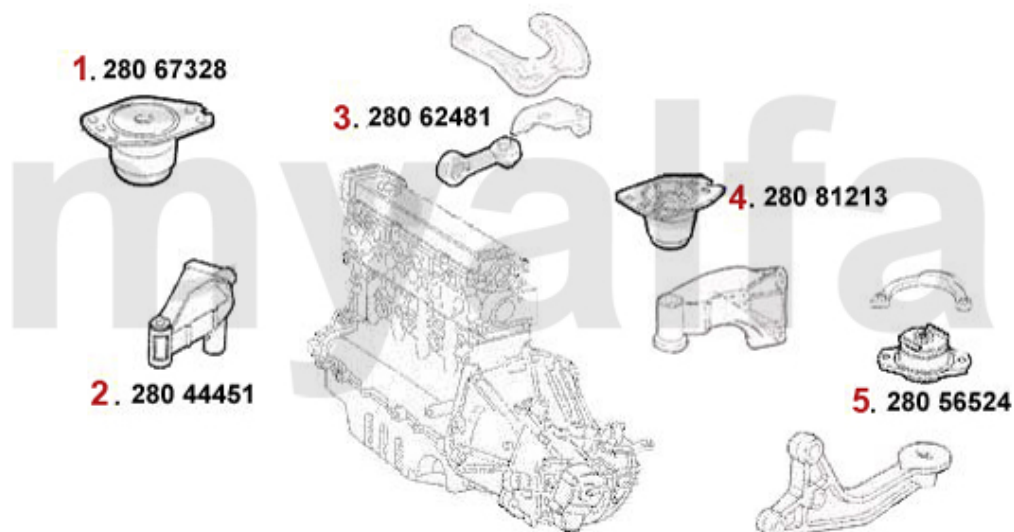
1	28074363	OE. 60674363 ENGINE MOUNT FL 147,156/SW, Nuovo GT 2.0	On request
2	28072234	OE. 60672234 ENGINEMOUNT FR. 156 2002>, gtv/spider (916) 1998>, Nuovo GT TS 16V	SEK839.44
3	28052899	OE. 60652899 ENGINE MOUNT 145/6 2.0 TS, 147 all,156, gtv/spider (916) 1998>, Nuovo	SEK460.51
4	28064349	OE. 60664349 ENGINEROD 147, 156/SW,Nouvo GT 2.0 TS/JTS	On request
5	2803234	OE. 7652240/60808861 ENGINE MOUNT	SEK926.99
6	28070915	OE. 7770915 SUPPORT	SEK3,719.47
7	28088460	OE. 7782435 ENGINEMOUNT	SEK2,320.32

Motorlager/Enginemount 156 V6 24V/GTA



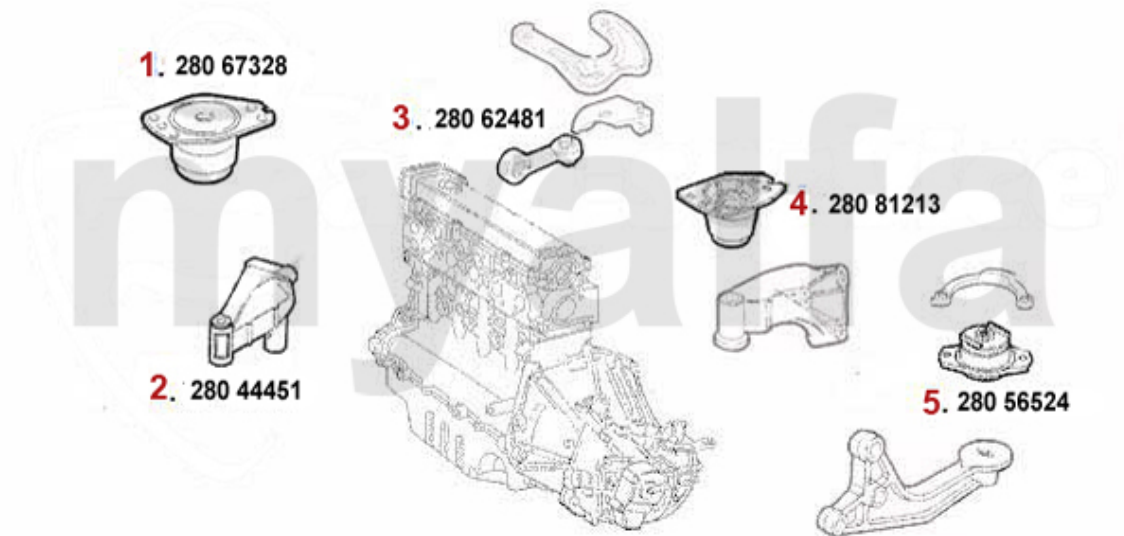
1	28088868	OE. 60655868 ENGINE MOUNT 147,156,Nuovo GT V6 24V/GTA	On request
2	28052740	OE. 60652740 ENGINE MOUNT 147,156,Nuovo GT V6 24V/GTA	SEK559.72
3	2809359	OE. 7644686 REAR ENGINE MOUNT	SEK571.37
4	28055875	OE. 60655875 ENGINEMOUNT REAR 147,156, Nuovo GT 3.2 V6	On request

Motorlager/Enginemount 156 1.9 JTD 8V



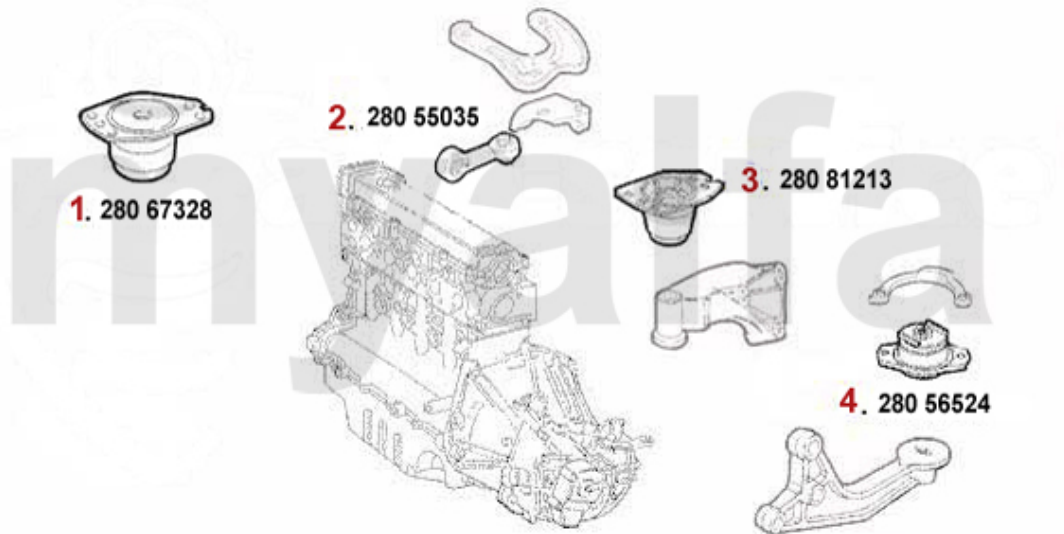
1	28067328	OE. 46467328 ENGINE MOUNT FL 145/6,147, 156,Nuovo GT JTD	SEK1,304.67
2	28044451	OE. 46744451 ENGINE MOUNT 147,156,Nuovo GT 1.9 JTD 8/16V	SEK1,270.95
3	28062481	OE. 60662481 ENGINE MOUNT 145/6,147,156, Nuovo GT 1.9	SEK2,273.70
4	28081213	OE. 46781213 ENGINE MOUNT RL 145/6,147, 156,Nuovo GT JTD	SEK777.69
5	28056524	OE. 60656524 ENGINEMOUNT 145/6 1999>, 147,156,Nuovo GT	SEK658.79

Motorlager/Enginemount 156 1.9 JTD 16V



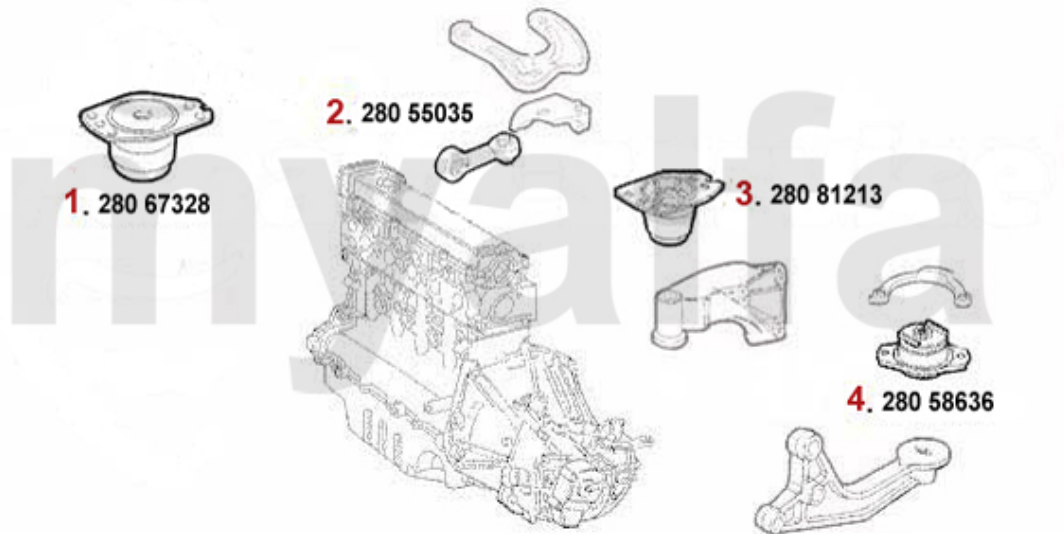
1	28067328	OE. 46467328 ENGINE MOUNT FL 145/6,147, 156,Nuovo GT JTD	SEK1,304.67
2	28044451	OE. 46744451 ENGINE MOUNT 147,156,Nuovo GT 1.9 JTD 8/16V	SEK1,270.95
3	28062481	OE. 60662481 ENGINE MOUNT 145/6,147,156, Nuovo GT 1.9	SEK2,273.70
4	28081213	OE. 46781213 ENGINE MOUNT RL 145/6,147, 156,Nuovo GT JTD	SEK777.69
5	28056524	OE. 60656524 ENGINEMOUNT 145/6 1999>, 147,156,Nuovo GT	SEK658.79

Motorlager/Enginemount 156 2.4 JTD 10V



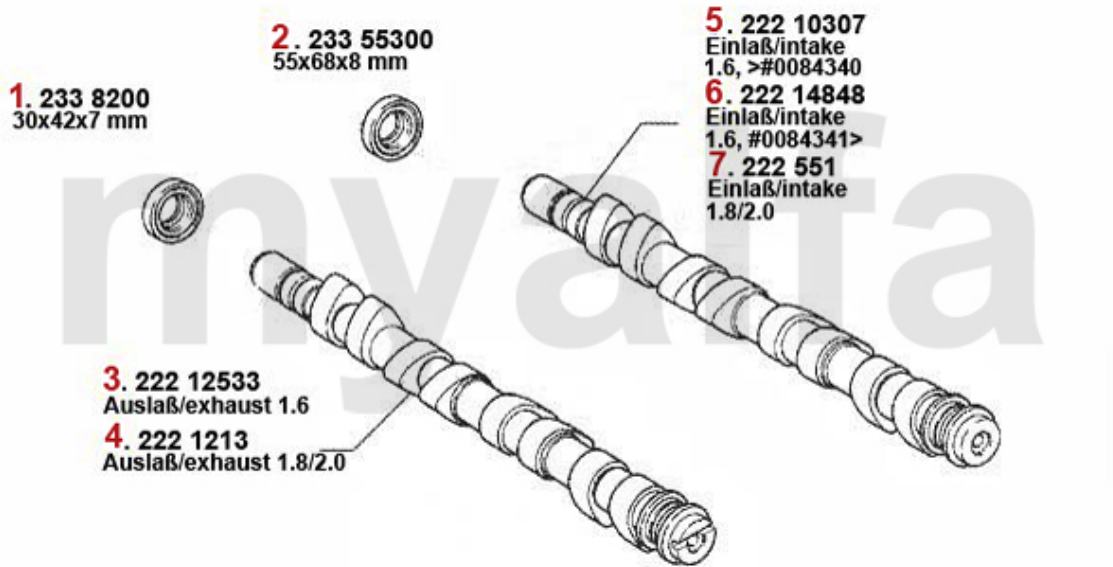
1	28067328	OE. 46467328 ENGINE MOUNT FL 145/6,147, 156,Nuovo GT JTD	SEK1,304.67
2	28055035	OE. 60655035 ENGINE ROD 156 2.4 JTD 10/20V	SEK687.92
3	28081213	OE. 46781213 ENGINE MOUNT RL 145/6,147, 156,Nuovo GT JTD	SEK777.69
4	28056524	OE. 60656524 ENGINEMOUNT 145/6 1999>, 147,156,Nuovo GT	SEK658.79

Motorlager/Enginemount 156 2.4 JTD 20V



1	28067328	OE. 46467328 ENGINE MOUNT FL 145/6,147, 156,Nuovo GT JTD	SEK1,304.67
2	28055035	OE. 60655035 ENGINE ROD 156 2.4 JTD 10/20V	SEK687.92
3	28081213	OE. 46781213 ENGINE MOUNT RL 145/6,147, 156,Nuovo GT JTD	SEK777.69
4	28058636	OE. 46858636 ENGINEMOUNT REAR 156 2.4 JTD 20V	On request

Nockenwelle/Camshaft 156 TS 16V



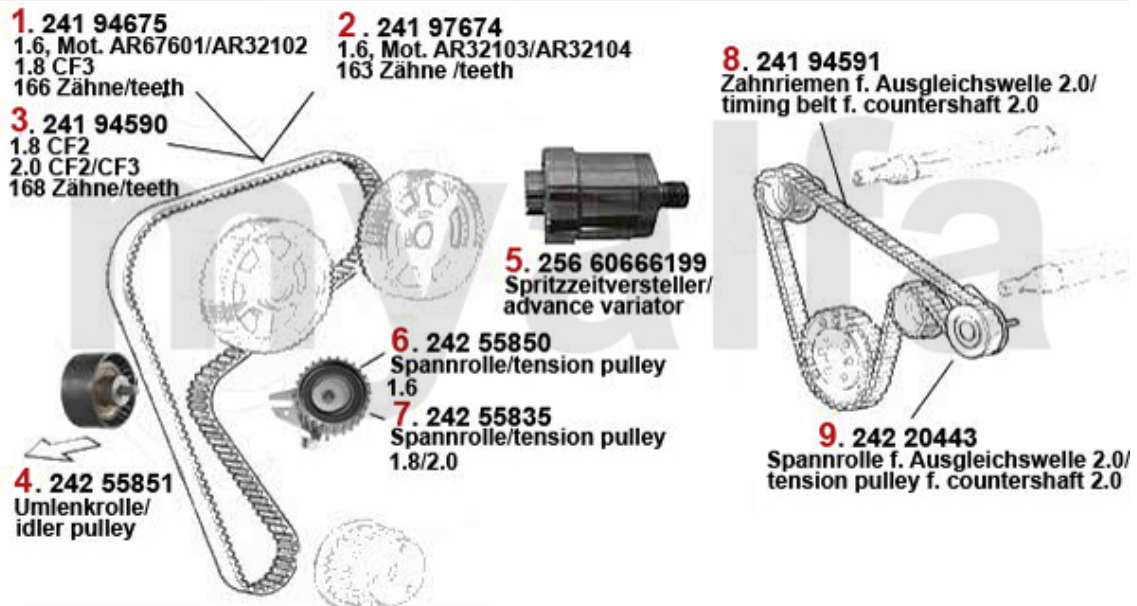
1	2338200	OE. 71753052 SEALING GASKET	SEK204.10
2	23355300	SHAFT SEAL CAMSHAFT 145/6,15 5,156 1.6,1.7,1.8,2.0 16V TS	SEK208.68
3	22212533	OE. 60613942 CAMSHAFT	On request
4	2221213	OE. 60601213 CAMSHAFT	On request
5	22210307	Nockenwelle (Einlass) 145/6 155,156 1.4/1.6 TS 16V	SEK2,823.98
6	22214848	Nockenwelle 145/6 1.6 TS 16V # 1650 88>, 156 1.6 TS 16V #84340>	SEK3,369.68
7	222551	OE. 60600551 CAMSHAFT	SEK5,001.94

Ventiltrieb/Valve Train 156 TS 16V



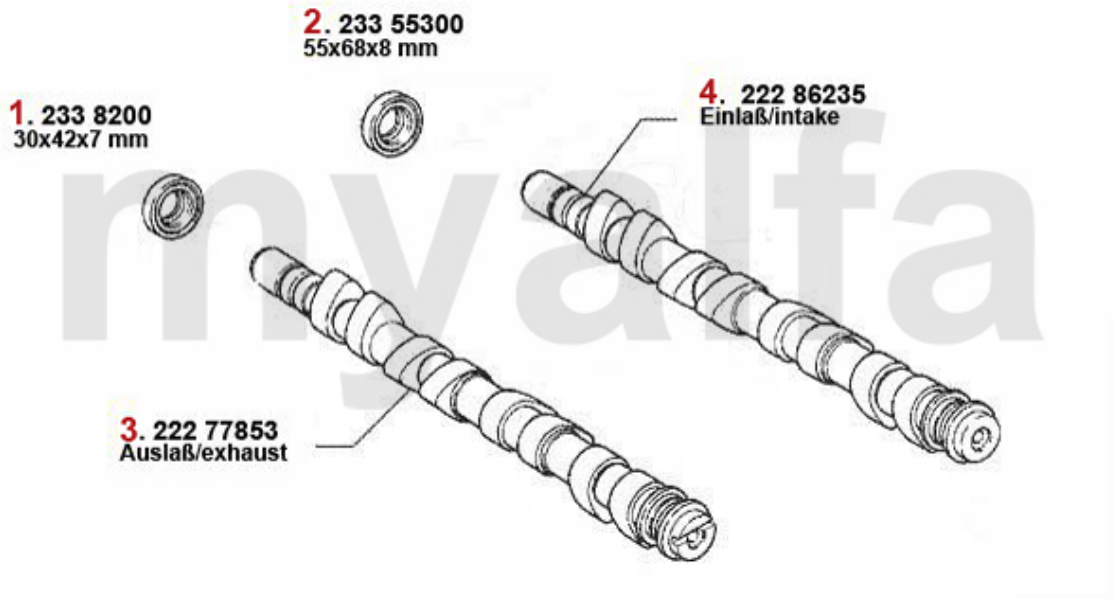
1	22412769	OE.46787055 HYDRAULIC VALVE LIFTER	SEK208.13
2	22311582	Ventilführung Auslass + 0.05 TS 16V	SEK246.00
3	22391934	OE. 60674496 EXHAUST VALVE	On request
4	22391933	OE. 7766564 INTAKE VALVE	SEK185.37
5	22311575	Ventilführung Einlass +0.05 TS16V	SEK246.00

Zahnriemen/Timing Belt 156 TS 16V



1	24194675	Zahnriemen 166SHPN240H 145/6,155/6 4-Zylinder(Mot.CF2/3) Nockenwelle Hochtemperatur-Ausfüh	SEK496.73
2	24194674	Zahnriemen 163SHPN240H 145/6 1.4 ie 16V TS,147 1.6 16V TS,156 1.6 16V T S Nockenwelle Hoc	SEK501.30
3	24194590	OE. 71719648 TIMING BELT	SEK577.20
4	24255851	OE. 60671573 DEFLECTION PULLEY 1.8 TS 16V 145/6, 147,	SEK390.58
5	25666199	OE. 71738360/55202772 ADVANCE VARIATOR TS 16V	On request
6	24255850	Spannrolle Zahnriemen 145/6 1.4 ie 16V TS,155/6 1.6 ie 16V TS/2.0 JTS/ gtv/spider (916) 2.	SEK900.07
7	24255835	OE. 55192239 IDLER PULLEY 1.8 TS 16V 145/6, 147, 155, 156, 166, gtv/spider (916)	SEK956.13
8	24194591	OE. 60620887 TIMING BELT	SEK804.47
9	24220443	OE. 55221254 TENSION PULLEY	SEK460.51

Nockenwelle/Camshaft 156 JTS



1	2338200	OE. 71753052 SEALING GASKET	SEK204.10
2	23355300	SHAFT SEAL CAMSHAFT 145/6,15 5,156 1.6,1.7,1.8,2.0 16V TS	SEK208.68
3	22277853	OE. 60677853 CAMSHAFT EXHAUST 2.0 JTS	On request
4	22286235	OE. 55186235 CAMSHAFT INTAKE 2.0 JTS	SEK7,567.15

Ventiltrieb/Valve Train 156 JTS



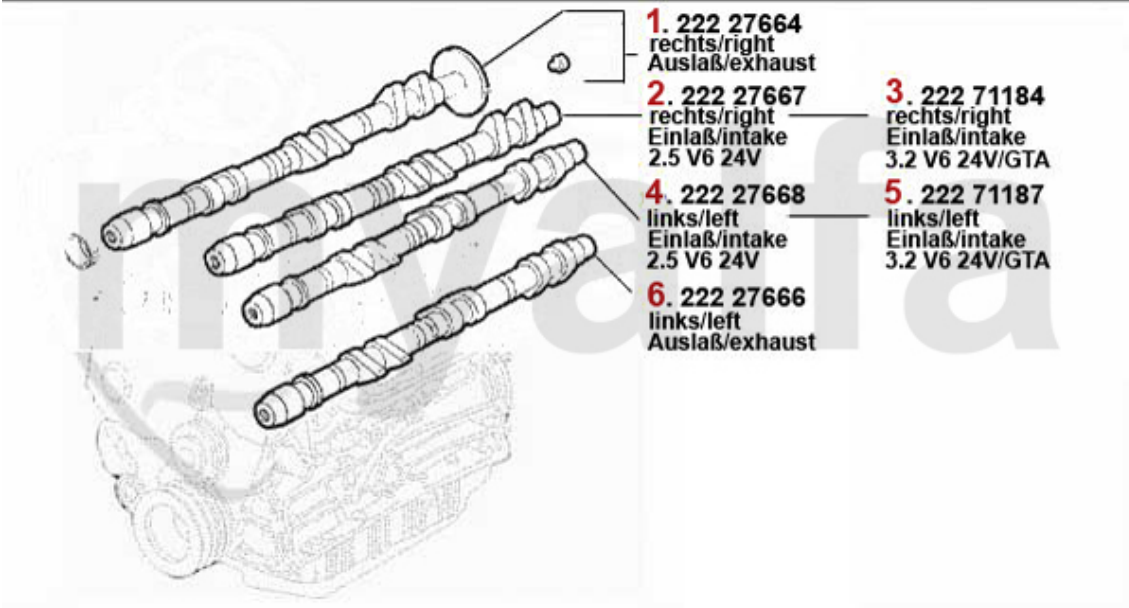
1	22412769	OE.46787055 HYDRAULIC VALVE LIFTER	SEK208.13
2	22311582	Ventilführung Auslass + 0.05 TS 16V	SEK246.00
3	22391934	OE. 60674496 EXHAUST VALVE	On request
4	22391933	OE. 7766564 INTAKE VALVE	SEK185.37
5	22311575	Ventilführung Einlass +0.05 TS16V	SEK246.00

Zahnriemen/Timing Belt 156 JTS



1	24194590	OE. 71719648 TIMING BELT	SEK577.20
2	24255851	OE. 60671573 DEFLECTION PULLEY 1.8 TS 16V 145/6, 147,	SEK390.58
3	24255850	Spannrolle Zahnriemen 145/6 1.4 ie 16V TS,155/6 1.6 ie 16V TS/2.0 JTS/ gtv/spider (916) 2.	SEK900.07
4	25666199	OE. 71738360/55202772 ADVANCE VARIATOR TS 16V	On request
5	24194591	OE. 60620887 TIMING BELT	SEK804.47
6	24220443	OE. 55221254 TENSION PULLEY	SEK460.51

Nockenwelle/Camshaft 156 V6 24V/GTA



1. 222 27664
rechts/right
Auslaß/exhaust

2. 222 27667
rechts/right
Einlaß/intake
2.5 V6 24V

4. 222 27668
links/left
Einlaß/intake
2.5 V6 24V

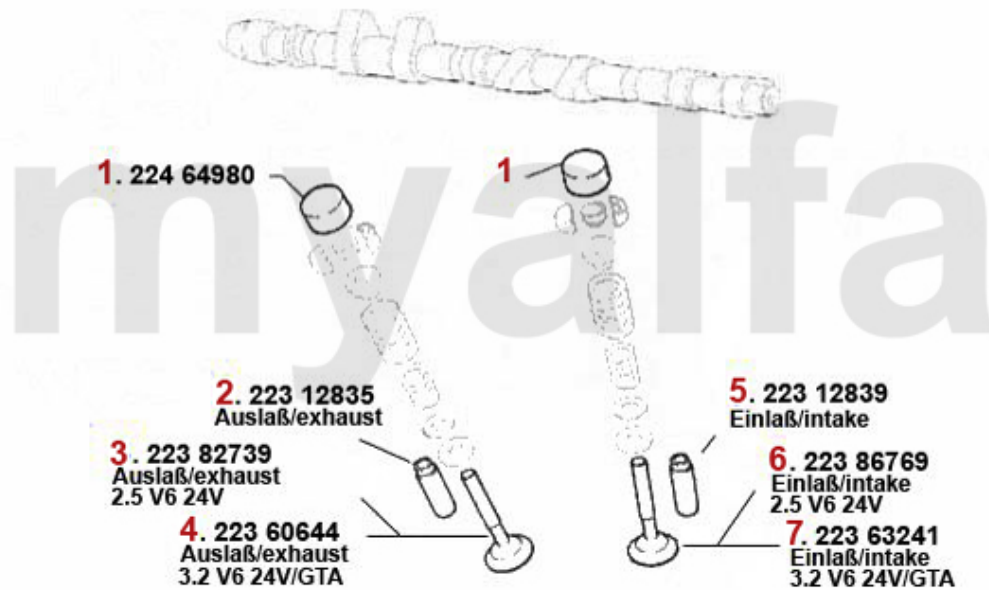
6. 222 27666
links/left
Auslaß/exhaust

3. 222 71184
rechts/right
Einlaß/intake
3.2 V6 24V/GTA

5. 222 71187
links/left
Einlaß/intake
3.2 V6 24V/GTA

1	22227664	OE. 60627664 CANSHAFT	SEK7,170.74
2	22227667	OE. 60627667 CAMSHAFT RIGHT	On request
3	22271184	OE. 60671184 Camshaft R Intake 3.2 V6 24V	On request
4	22227668	OE. 60627668 CAMSHAFT LEFT	SEK3,369.68
5	22271187	OE. 60671187 Camshaft R Intake 3.2 V6 24V	SEK10,831.80
6	22227666	OE. 60627666 CANSHAFT	On request

Ventiltrieb/Valve Train 156 V6 24V/GTA



1	22464980	OE. 6066480 VALVE TAPPET	SEK437.20
2	22312835	OE. 60612835 VALVE GUIDE	SEK378.93
3	22382739	OE. 60582739 VALVE EXHAUST	SEK495.48
4	22360644	Exhaust Valve 3.0/3.2 24V	SEK348.68
5	22312839	OE. 60605120 VALVE GUIDE	SEK378.93
6	22386769	OE. 55186769 VALVE INTAKE 2.5 24V	SEK333.42
7	22363241	OE.60560643 INTAKE VALVE 3.0 V6 24V/3.2 GTA,147,156,164, 166, SPIDER/GTV (916),NUOVO GT	SEK338.13

Zahnriemen/Timing Belt 156 V6 24V/GTA



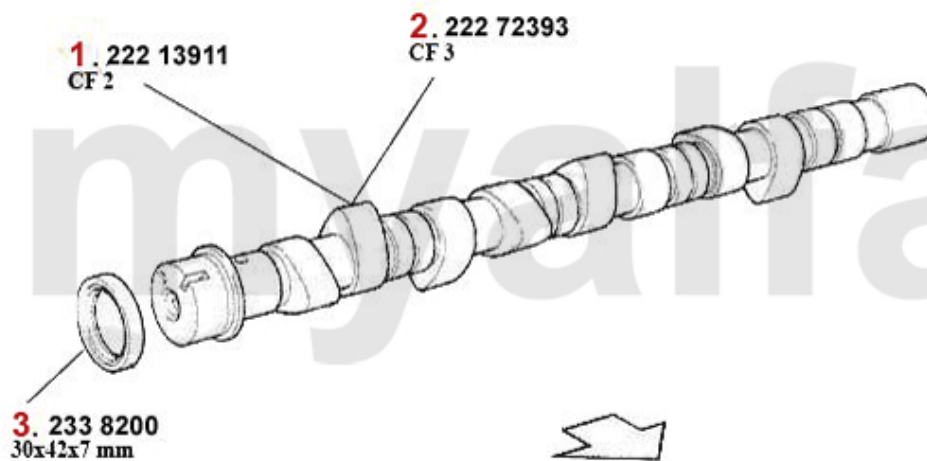
- 1** 24255876 OE. 60603056 IDLE PULLEY
- 2** 24194741 OE. 60674528 TIMING BELT
- 3** 24255875 OE. 55196536 BELTSTRETCHER

SEK1,154.26

SEK1,387.50

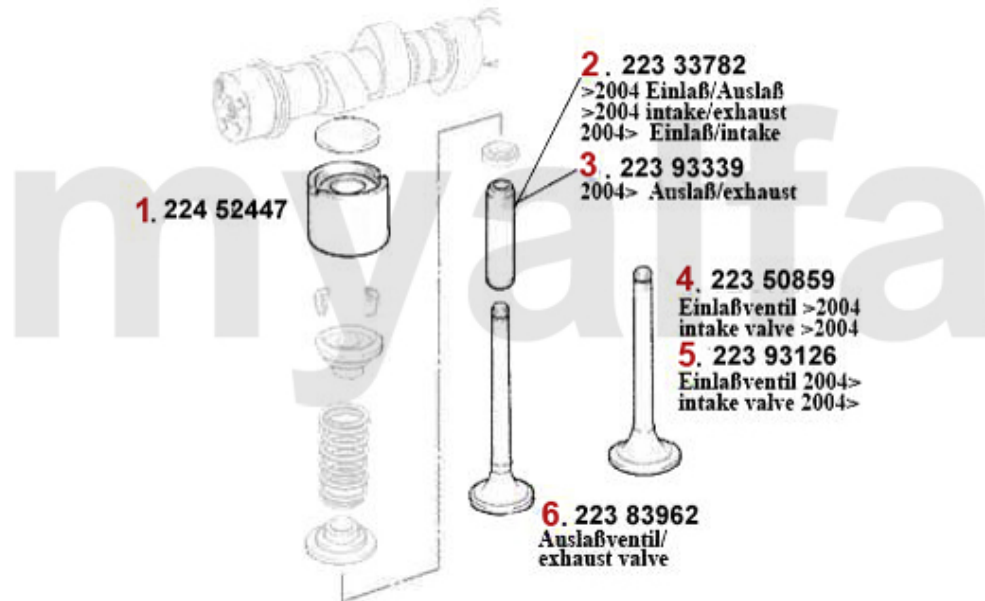
SEK1,737.29

Nockenwelle/Camshaft 156 1.9 JTD 8V



1	22213911	Nockenwelle 156,145/6 1.9 JTD (CF2)	SEK2,380.95
2	22272393	OE. 46772393 Camshaft 1.9 JTD 8V	SEK2,740.04
3	2338200	OE. 71753052 SEALING GASKET	SEK204.10

Ventiltrieb/Valve Train 156 1.9 JTD 8V



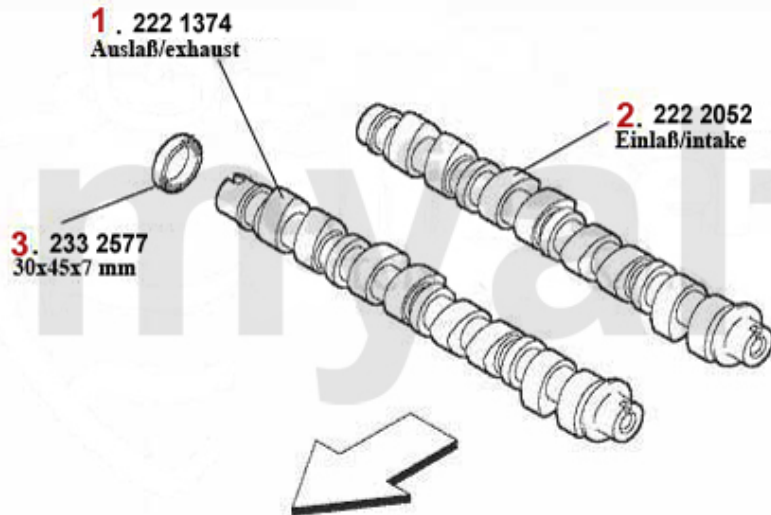
1	22452447	Hydrostößel 145/6,155,156 166 TD/ JTD	On request
2	22333782	Ventilführung Einlass/Auslass +0.05 JTD 8/10V 145/6,147,156,166	SEK48.98
3	22393339	OE. 55193339 VALVE GUIDE INTAKE 1.9/2.4 JTD 8/10V	On request
4	22350859	Ventil-Einlass 145/6,147,156 166 JTD 8/10V	SEK246.00
5	22393126	Ventil-Einlass 147,156,166 JTD8/10V Bj. 6.04>	SEK236.71
6	22383962	Ventil-Auslass 145/6,147,156 166 JTD 8/10V	SEK383.64

Zahnriemen/Timing Belt 156 1.9 JTD 8V



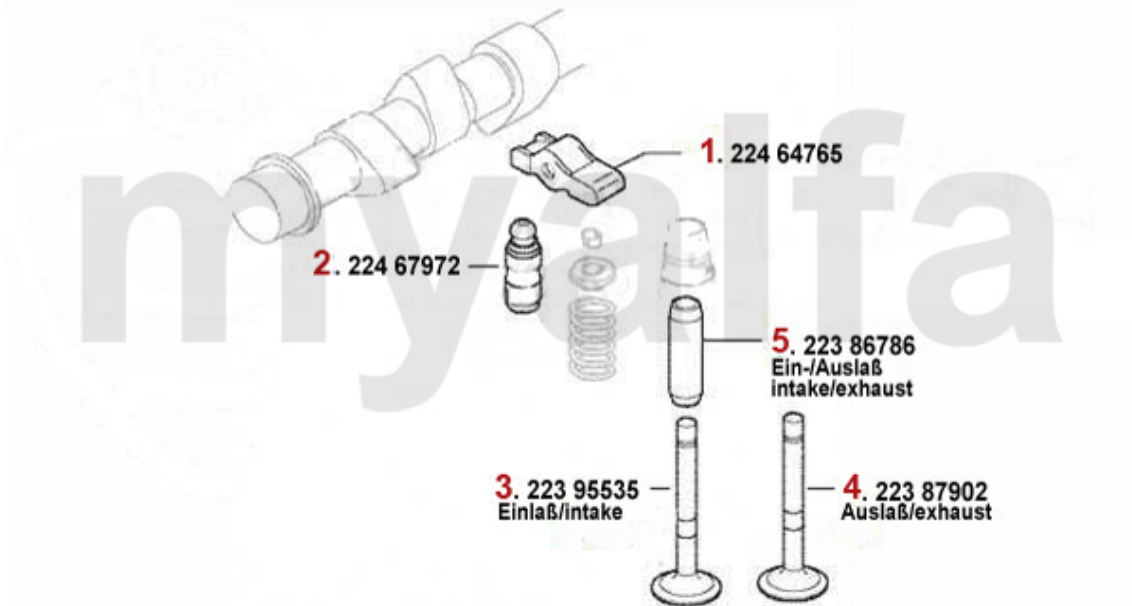
1	24194713	Zahnriemen 190SHPN240H 145/6,156,16 6 1.9/2.4 JTD Nockenwelle,Hochtemperatur-Ausführung	SEK509.49
2	24255844	OE.60813592 TENSIONER PULLEY TIMING BELT	On request
3	24255842	OE. 7763644 IDLER PULLEY	SEK378.93

Nockenwelle/Camshaft 156 1.9 JTD 16V



1	2221374	CAMSHAFT OUTLET 147,156 NUOVO GT 1.9 JTD 16V	SEK4,652.15
2	2222052	Nockenwelle Einlass 147,156 Nuovo GT 1.9 JTD 16V	SEK2,428.68
3	2332577	Simmerring Nockenwelle 147, 156,166,Nuovo GT 1.9/2.4 JTD 16V/20V	SEK77.01

Ventiltrieb/Timingtrain 156 1.9 JTD 16V



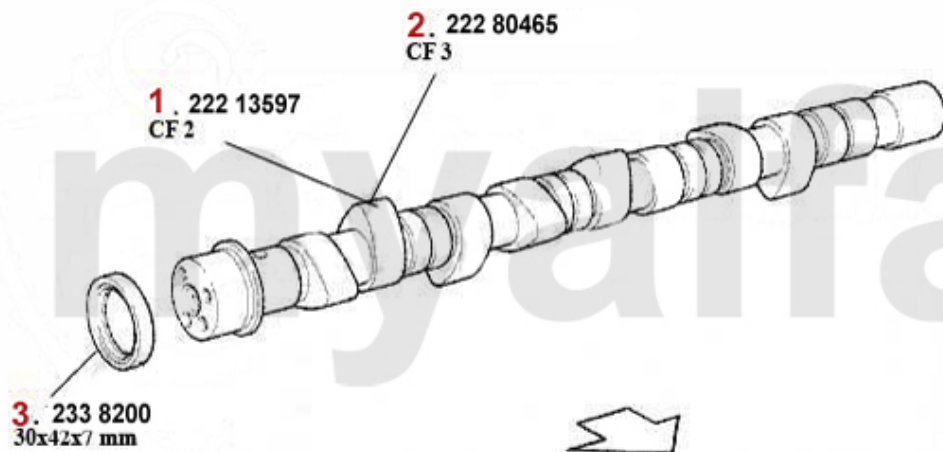
1	22464765	OE. 55200333	ROCKER 1.9 JTD 16V	SEK291.51
2	22467972	Stößel 147,156,166,Nuovo GT JTD 16/20V		On request
3	22395535	OE. 55195535	Valve Intake JTD 16/20V	SEK221.58
4	22387902	OE. 46787902	Valve-Exhaust JTD 16/20V	SEK234.35
5	22386786	OE. 55186786	Valve Guide Intake/Exhaust JTD 16/20V	SEK156.23

Zahnriemen/Timing Belt 156 1.9 JTD 16V



1	24194958	Zahnriemen 147,156,166,Nuovo GT JTD 16/20V	SEK682.10
2	24255844	OE.60813592 TENSIONER PULLEY TIMING BELT	On request
3	24255842	OE. 7763644 IDLER PULLEY	SEK378.93

Nockenwelle 156 2.4 JTD 10V



1 22213597 Nockenwelle 156,166 2.4 JTD CF2 (10 3 KW)

SEK2,979.10

2 22280465 OE. 46780465 CAMSHAFT 2.4 JTD

SEK8,499.83

3 2338200 OE. 71753052 SEALING GASKET

SEK204.10

Ventiltrieb/Valve Train 156 2.4 JTD 10V



1	22452447	Hydrostößel 145/6,155,156 166 TD/ JTD	On request
2	22333782	Ventilführung Einlass/Auslass +0.05 JTD 8/10V 145/6,147,156,166	SEK48.98
3	22383962	Ventil-Auslass 145/6,147,156 166 JTD 8/10V	SEK383.64
4	22350859	Ventil-Einlass 145/6,147,156 166 JTD 8/10V	SEK246.00

Zahnriemen/Timing Belt 156 2.4 JTD 10V



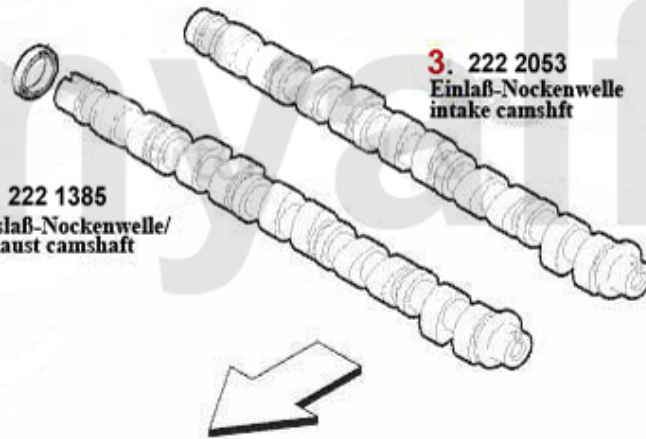
1	24194713	Zahnriemen 190SHPN240H 145/6,156,16 6 1.9/2.4 JTD Nockenwelle,Hochtemperatur-Ausführung	SEK509.49
2	24255844	OE.60813592 TENSIONER PULLEY TIMING BELT	On request
3	24255842	OE. 7763644 IDLER PULLEY	SEK378.93

Nockenwelle/Camshaft 156 2.4 JTD 20V

1. 233 2577
30x45x7 mm

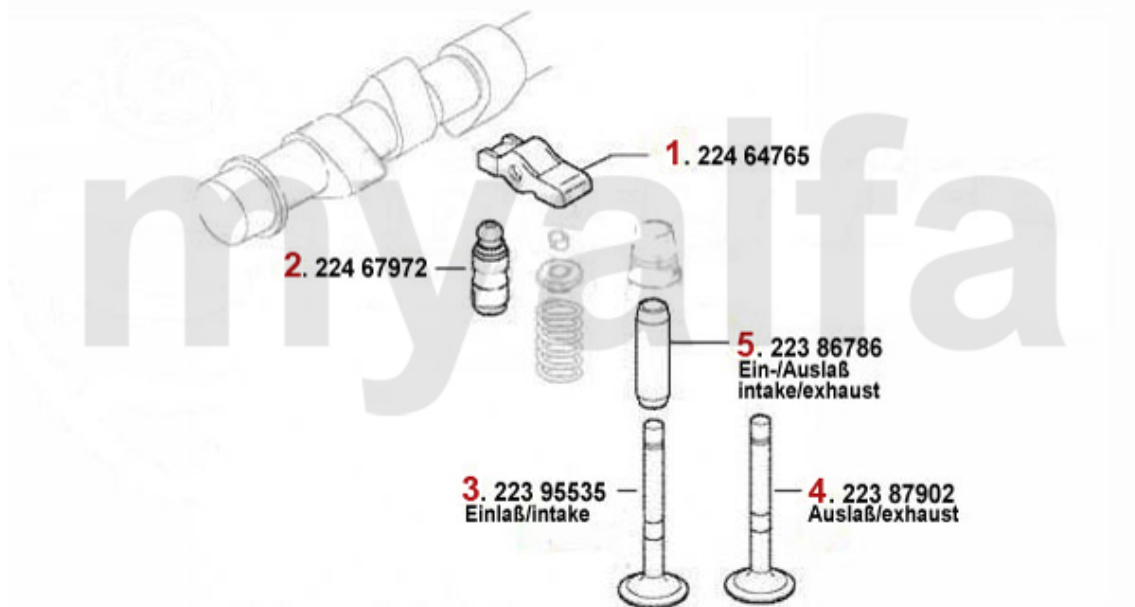
2. 222 1385
Auslaß-Nockenwelle/
exhaust camshaft

3. 222 2053
Einlaß-Nockenwelle
intake camshft



1	2332577	Simmerring Nockenwelle 147, 156,166,Nuovo GT 1.9/2.4 JTD 16V/20V	SEK77.01
2	2221385	OE. 73501385 CAMSHAFT EXHAUST 2.4 JTD 20V	SEK6,984.12
3	2222053	OE. 46802053 CAMSHAFT INTAKE 2.4 JTD 20V	SEK2,141.88

Ventiltrieb/Valve Train 156 2.4 JTD 20V



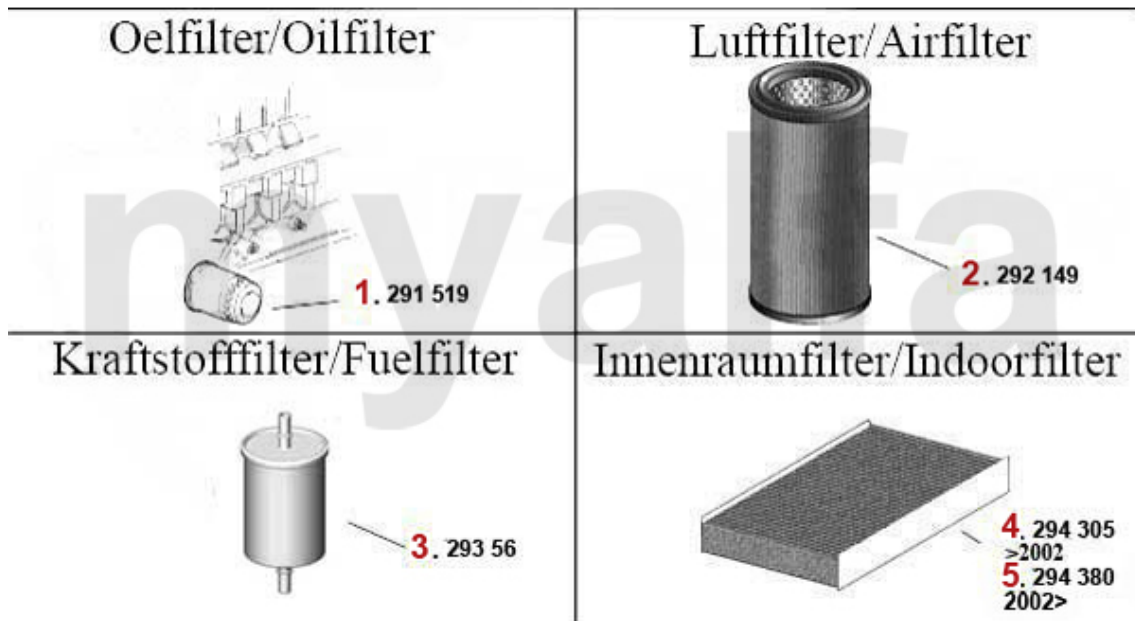
1	22464765	OE. 55200333	ROCKER 1.9 JTD 16V	SEK291.51
2	22467972		Stößel 147,156,166,Nuovo GT JTD 16/20V	On request
3	22395535	OE. 55195535	Valve Intake JTD 16/20V	SEK221.58
4	22387902	OE. 46787902	Valve-Exhaust JTD 16/20V	SEK234.35
5	22386786	OE. 55186786	Valve Guide Intake/Exhaust JTD 16/20V	SEK156.23

Zahnriemen/Timing Belt 156 2.4 JTD 20V



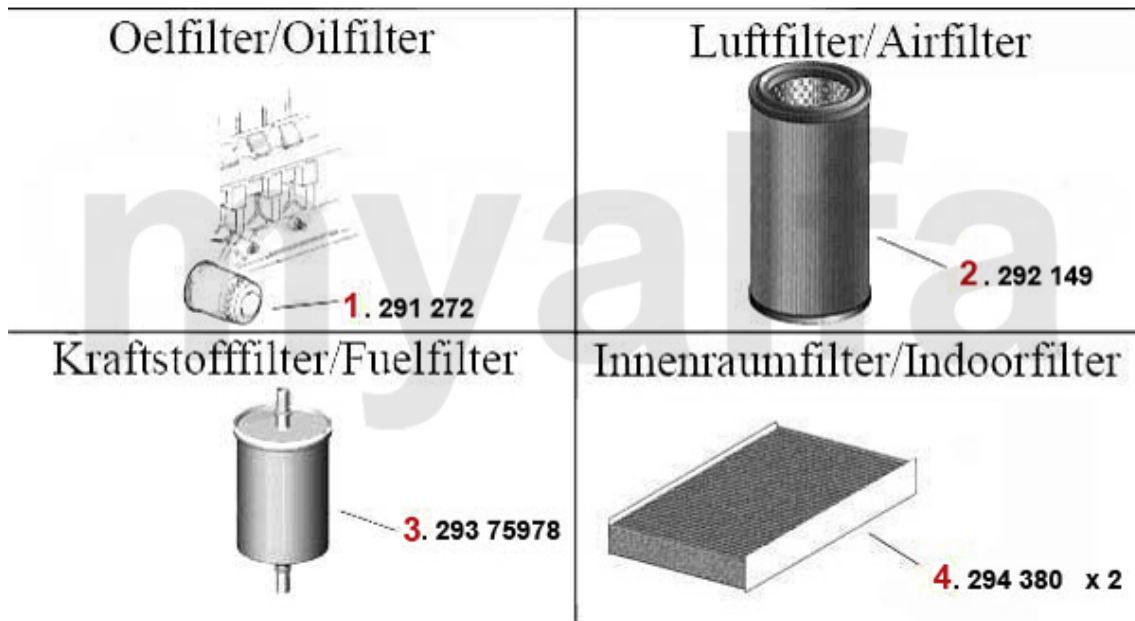
1	24194958	Zahnriemen 147,156,166,Nuovo GT JTD 16/20V	SEK682.10
2	24255844	OE.60813592 TENSIONER PULLEY TIMING BELT	On request
3	24255842	OE. 7763644 IDLER PULLEY	SEK378.93

Filter 156 TS



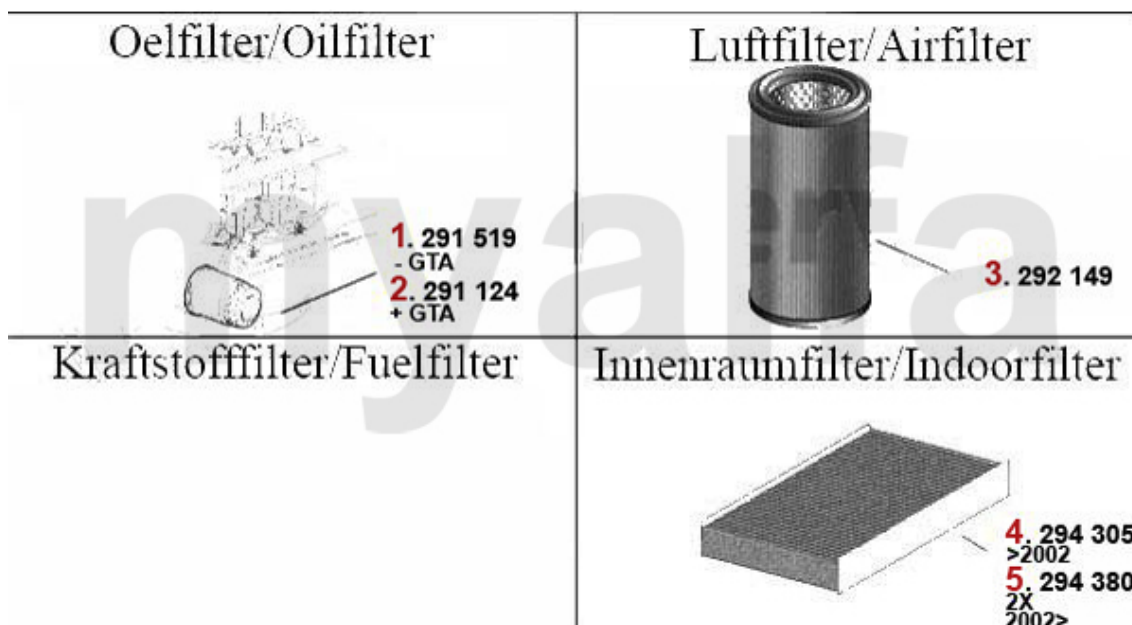
1	291519	OE. 46808398/71736159 OILFILTER	SEK103.79
2	292149	OE. 7786626 AIR FILTER ELEMENT	SEK332.31
3	29356	OE. 60811904 FUEL FILTER	SEK138.75
4	294305	Innenraumfilter 156 Bj. >02 eckig	SEK234.35
5	294380	OE. 71772198 INDOOR FILTER	SEK215.76

Filter 156 JTS



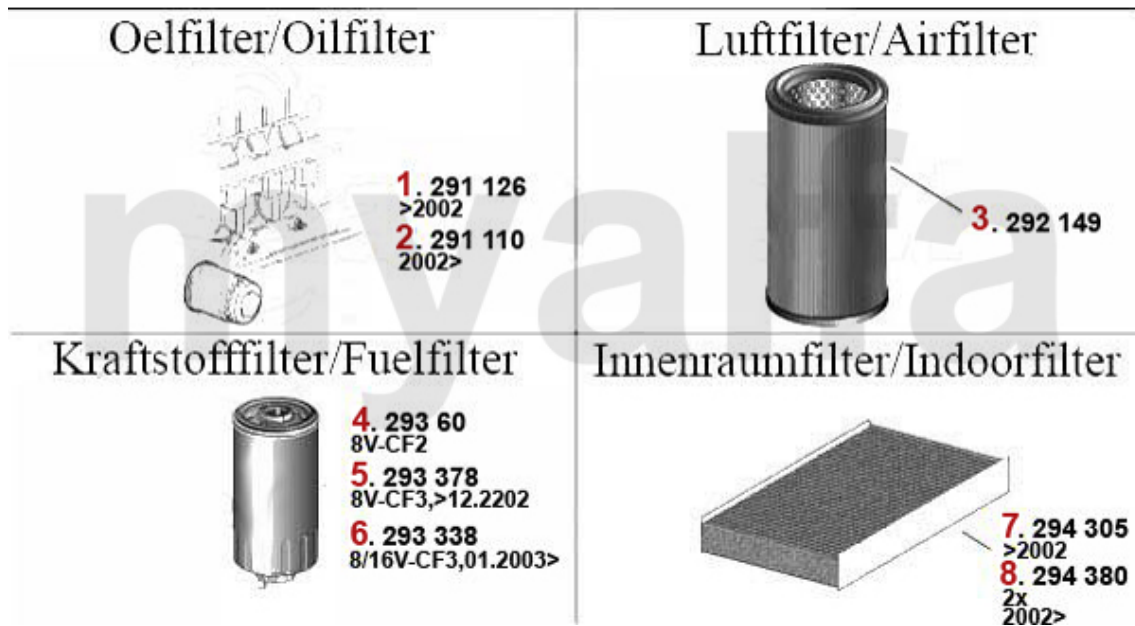
1	291272	OE. 73500503 OILFILTER	SEK107.25
2	292149	OE. 7786626 AIR FILTER ELEMENT	SEK332.31
3	29375978	OE. 60675978 FUEL FILTER	SEK226.16
4	294380	OE. 71772198 INDOOR FILTER	SEK215.76

Filter 156 V6 24V/GTA



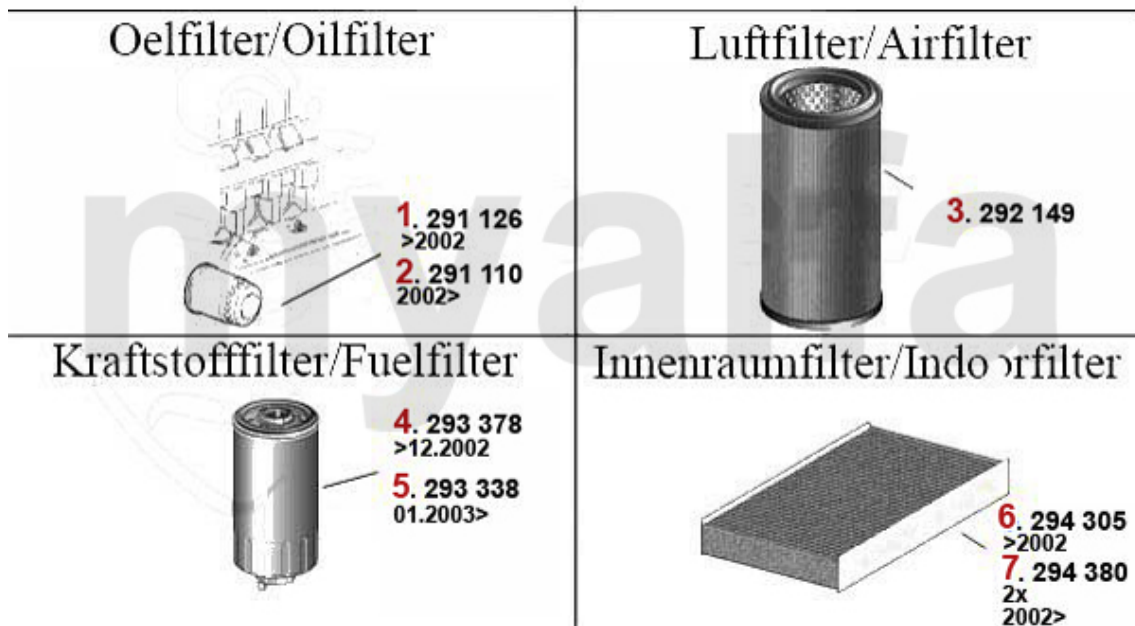
1	291519	OE. 46808398/71736159 OILFILTER	SEK103.79
2	291124	OE. 46805830 Oilfilter	SEK185.37
3	292149	OE. 7786626 AIR FILTER ELEMENT	SEK332.31
4	294305	Innenraumfilter 156 Bj. >02 eckig	SEK234.35
5	294380	OE. 71772198 INDOOR FILTER	SEK215.76

Filter 156 1.9 JTD



1	291126	Ölfilter 145/6,147,156,166 JTD Anschraubpatrone	SEK107.25
2	291110	Ölfilter 147,156,Nuovo GT 1.9 JTD, 166 2.4 JTD Anschraubpatrone	SEK121.27
3	292149	OE. 7786626 AIR FILTER ELEMENT	SEK332.31
4	29360	Kraftstoff-Filter 145/6,156,166 JTD (CF2) Bj. >01,Anschraubfilter	SEK150.41
5	293378	OE.60816460 FUEL FILTER 147,156,166 1.9 JTD 8V (CF3)/ 2.4 JTD 110kw	SEK384.75
6	293338	Kraftstofffilter 147,156,166 Nuovo G T JTD (CF3),Bj 01>	SEK334.67
7	294305	Innenraumfilter 156 Bj. >02 eckig	SEK234.35
8	294380	OE. 71772198 INDOOR FILTER	SEK215.76

Filter 156 2.4 JTD



1	291126	Ölfilter 145/6,147,156,166 JTD Anschraubpatrone	SEK107.25
2	291110	Ölfilter 147,156,Nuovo GT 1.9 JTD, 166 2.4 JTD Anschraubpatrone	SEK121.27
3	292149	OE. 7786626 AIR FILTER ELEMENT	SEK332.31
4	293378	OE.60816460 FUEL FILTER 147,156,166 1.9 JTD 8V (CF3)/ 2.4 JTD 110kw	SEK384.75
5	293338	Kraftstofffilter 147,156,166 Nuovo G T JTD (CF3),Bj 01>	SEK334.67
6	294305	Innenraumfilter 156 Bj. >02 eckig	SEK234.35
7	294380	OE. 71772198 INDOOR FILTER	SEK215.76

Abgasanlage/Exhaust System 156 TS CF2

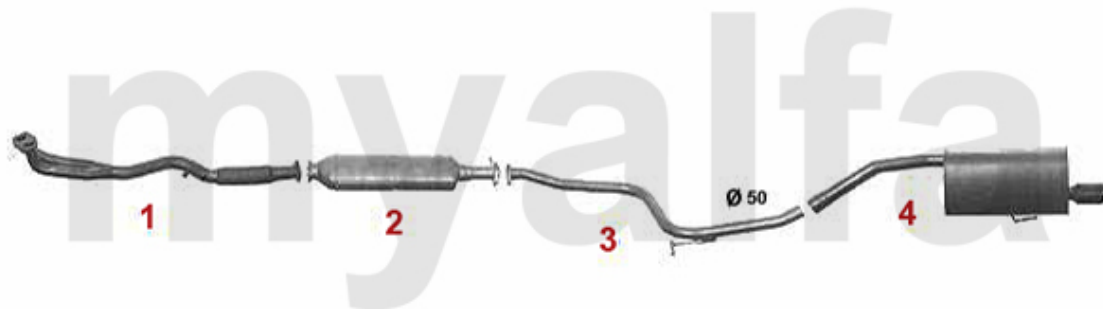
5 x 1

6 x 1

7 x 3

7 x 1

8 x 2

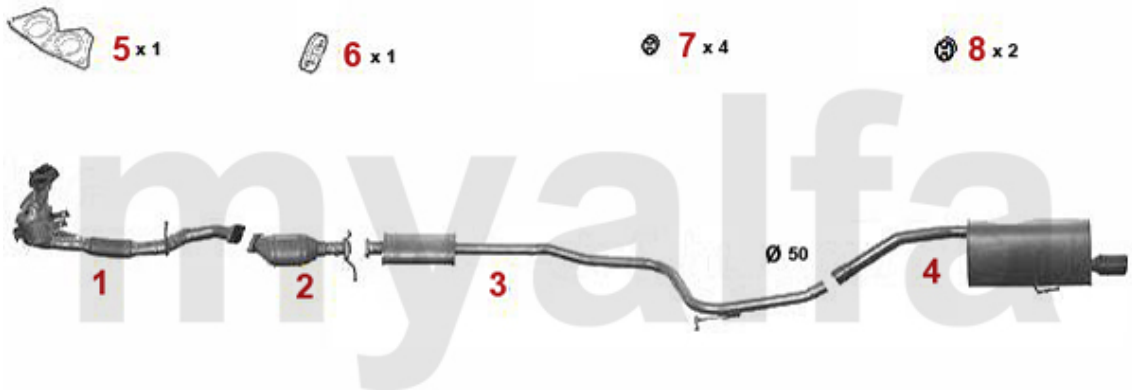


156 TS 16V 1.6/1.8/2.0 Euro 2

10.1997>

1	33216401	PRESILENCER 156 1.6-1.8 16V TS (NOT SELESPEED) FROM 1997 ON EURO 2	SEK2,460.18
2	32116433	KAT 156 1.6-2.0 16V TS FROM 1997 ON	SEK7,135.77
3	34116404	MIDDLE EXHAUST PIPE 156 1.6- 2.0 16V TS FROM 1997 ON / EURO2	SEK711.23
4	35116407	OE. 60652523 REAR SILENCER 156	SEK1,935.56
5	38094474	OE. 46772217 GASKET	SEK115.44
6	38094484	OE. 73503584 GASKET	SEK145.69
7	38091143	OE. 60811640 / 60816516 EXHAUST RUBBER	SEK42.60
8	38091066	OE. 60655991 / 60814913 / 60695841 EXHAUST RUBBER	SEK45.51

Abgasanlage/Exhaust System 156 TS CF3



156 16V TS 1.6/1.8/2.0 Euro 3

11.2000>

1	32139668	OE. 46739668 EXHAUST PIPE/1ST KAT 147 1.6(88KW)/2.0 TS 16V	SEK11,602.55
1	3219273	Hosenrohr mit Kat 147 1.6 TS (88KW)	SEK8,756.37
1	32174247	OE. 60674247 EXHAUST PIPE 1st KATALYSATOR 156 1.8 TS CF3	On request
2	32139666	OE. 46739666 SILENCER CATALIZED/2nd KAT 147	On request
3	34116406	Mitteltopf 156 1.6-2.0 16V TS Bj. 00> CF3, Nuovo GT 1.8 TS	SEK2,331.97
4	35116407	OE. 60652523 REAR SILENCER 156	SEK1,935.56
5	38094038	OE. 46803532 GASKET f. KAT 147,156,916	SEK145.69
6	38074963	OE. 46774963 GASKET	SEK170.25
7	38091143	OE. 60811640 / 60816516 EXHAUST RUBBER	SEK42.60
8	38091066	OE. 60655991 / 60814913 / 60695841 EXHAUST RUBBER	SEK45.51

Abgasanlage/Exhaust System 156 2.0 JTS



156 2.0 JTS 16V (1970 cc - 122 kW - Mot.837A1000) + SPORTWAGON

3/02-

1	32180214	OE. 55180214 EXHAUST PIPE/KATALYSATOR 156/SW JTS	SEK22,841.30
2	33116545	FRONT EXHAUST SECTION 156/gtv/spider (916)/ Nuovo GT 2.0 JTS	SEK1,690.67
3	32116503	OE. 60694711 MIDDLE SILENCER	SEK1,912.25
4	34116506	OE. 60652869 SILENCER	SEK1,480.74
5	35116507	Endtopf 156 2.5 V6 24V 97- 156 2.0 JTS 16V bj. 02>	SEK2,903.21
6	3802761	OE. 55194028 HEATERGASKET	SEK285.69
7	38094484	OE. 73503584 GASKET	SEK145.69
8	38091143	OE. 60811640 / 60816516 EXHAUST RUBBER	SEK42.60
9	38091066	OE. 60655991 / 60814913 / 60695841 EXHAUST RUBBER	SEK45.51

Abgasanlage/Exhaust System 156 V6 24V >2002

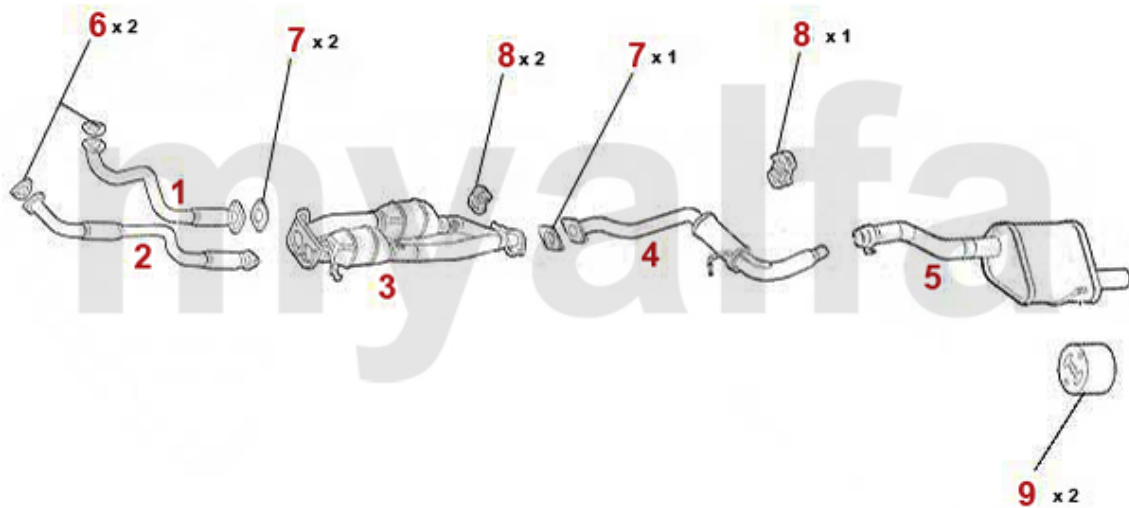


156 2.5 V6 24V

1997-2002

1	33158227	OE. 60658227 EXHAUST PIPE 156/SW 2.5 V6 24V AUTOMATIC	SEK5,083.66
1	33152860	Vorderrohr 156/SW 2.5 V6 24V (Schal twagen)	SEK5,771.58
2	32116533	Katalysator 156 2.5 V6 bj. 97>	On request
3	34116506	OE. 60652869 SILENCER	SEK1,480.74
4	35116507	Endtopf 156 2.5 V6 24V 97- 156 2.0 JTS 16V bj. 02>	SEK2,903.21
5	38054239	OE. 60654239 GASKET	SEK145.69
6	38094484	OE. 73503584 GASKET	SEK145.69
7	38091143	OE. 60811640 / 60816516 EXHAUST RUBBER	SEK42.60
8	38091066	OE. 60655991 / 60814913 / 60695841 EXHAUST RUBBER	SEK45.51

Abgasanlage/Exhaust System 156 2.5 V6 24V/GTA Bj. 02>

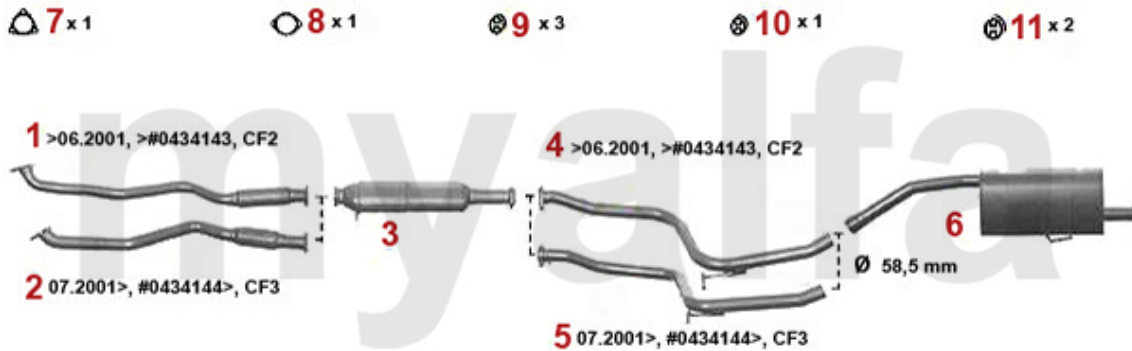


156 3.2 V6 24V/GTA 184 KW/250 HP

03.2002-09.05

1	33169658	OE. 60669658 EXHAUST PIPE FR 147 GTA	On request
2	33169659	OE. 60669659 EXHAUST PIPE FL 147 GTA	SEK7,089.02
3	32170266	OE. 60670266 SILENCER CATALIZED 156/SW 2.5 V6 24V	SEK14,952.39
3	32176395	OE. 60676395 SILENCER	SEK13,995.16
4	34116506	OE. 60652869 SILENCER	SEK1,480.74
4	34176396	OE. 60676396 MIDDLE SILENCER 156/SW GTA	SEK4,652.15
5	35116507	Endtopf 156 2.5 V6 24V 97- 156 2.0 JTS 16V bj. 02>	SEK2,903.21
5	35176397	OE. 60676397 REAR SILENCER	SEK6,984.12
6	38069665	OE. 60669665 SEALING GASKET f. EXHAUST PIPE 147,156,166,	SEK220.34
7	38094484	OE. 73503584 GASKET	SEK145.69
8	38091143	OE. 60811640 / 60816516 EXHAUST RUBBER	SEK42.60
9	38091066	OE. 60655991 / 60814913 / 60695841 EXHAUST RUBBER	SEK45.51

Abgasanlage/Exhaust System 156 1.9 JTD 8V



156 1.9 JTD 8 V 77/81/85 KW

10.1997>

1	33216601	PRESILENCER 156 1.9 JTD FROM 1997 ON UNTIL # 0434143	SEK1,562.46
2	33216631	PRESILENCER 147 1.9 JTD FROM 10.2000 ON, 156 1.9 JTD FROM 1997 ON / FROM # 0434143	SEK1,772.25
3	32116633	Katalysator mitte 147 1.9 JTD 156 1.9 & 2.4 JTD bj. 97>	SEK8,080.11
4	34116604	Mittelrohr 156 1.9 & 2.4 JTD 1.9 JTD bis # 0434143	SEK1,179.93
5	34116634	Mittelrohr 156 1.9 JTD ab # 0434143 Nuovo GT 1.9 JTD CF3/4	SEK1,263.87
6	35116607	Endtopf 156 1.9 & 2.4 JTD bj. 97>	SEK1,620.74
7	38094560	Dichtung VSD 145/6,156,166 JTD	SEK69.93
8	38094484	OE. 73503584 GASKET	SEK145.69
9	38091143	OE. 60811640 / 60816516 EXHAUST RUBBER	SEK42.60
10	38091066	OE. 60655991 / 60814913 / 60695841 EXHAUST RUBBER	SEK45.51

Abgasanlage/Exhaust System 156 1.9 JTD 16V

7 x 1

8 x 1

9 x 3

9 x 1

10 x 2



- 1. 332 116631
>12.2004, -4x4, -150 HP
- 2. 331 698319
01.2005>, -4x4,
- 3. 331 60003
4x4

156 1.9 JTD 16V 103/110 KW

11.2002>

1	33216631	PRESILENCER 147 1.9 JTD FROM 10.2000 ON, 156 1.9 JTD FROM 1997 ON / FROM # 0434143	SEK1,772.25
2	33198319	OE. 60698319 EXHAUST PIPE Nuovo GT 1.9 JTD CF3/4	SEK3,290.32
3	33160003	OE. 51760003 EXHAUST PIPE 156 1.9 JTD 16V 4x4	On request
4	34116604	Mittelrohr 156 1.9 & 2.4 JTD 1.9 JTD bis # 0434143	SEK1,179.93
5	34116634	Mittelrohr 156 1.9 JTD ab # 0434143 Nuovo GT 1.9 JTD CF3/4	SEK1,263.87
6	35116607	Endtopf 156 1.9 & 2.4 JTD bj. 97>	SEK1,620.74
7	38094560	Dichtung VSD 145/6,156,166 JTD	SEK69.93
8	38094484	OE. 73503584 GASKET	SEK145.69
9	38091143	OE. 60811640 / 60816516 EXHAUST RUBBER	SEK42.60
10	38091066	OE. 60655991 / 60814913 / 60695841 EXHAUST RUBBER	SEK45.51

Abgasanlage/Exhaust System 156 2.4 JTD 10V

5 x1

6 x1

7 x3

7 x1

8 x2

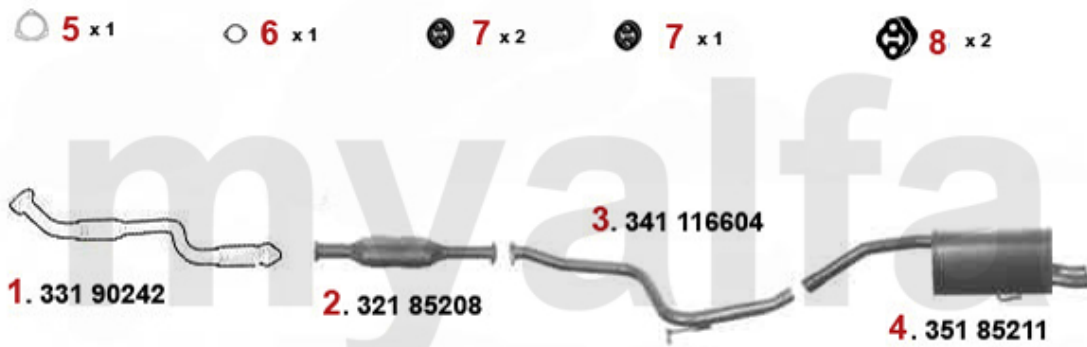


156 2.4 JTD 100/103/110 KW

10.1997>

1	33216621	PRESILENCER 156 2.4 JTD FROM 1997 ON	SEK1,737.29
2	32116633	Katalysator mitte 147 1.9 JTD 156 1.9 & 2.4 JTD bj. 97>	SEK8,080.11
3	34116604	Mittelrohr 156 1.9 & 2.4 JTD 1.9 JTD bis # 0434143	SEK1,179.93
4	35116607	Endtopf 156 1.9 & 2.4 JTD bj. 97>	SEK1,620.74
5	38094560	Dichtung VSD 145/6,156,166 JTD	SEK69.93
6	38094484	OE. 73503584 GASKET	SEK145.69
7	38091143	OE. 60811640 / 60816516 EXHAUST RUBBER	SEK42.60
8	38091066	OE. 60655991 / 60814913 / 60695841 EXHAUST RUBBER	SEK45.51

Abgasanlage/Exhaust System 156 2.4 JTD 20V



156 2.4 JTD 20V 129 KW

10.2003>

1	33190242	OE. 55190242 EXHAUST PIPE	SEK3,888.47
2	32185208	OE. 55185208 SILENCER CATALIZED 156/SW 2.4 JTD 20V	SEK10,107.80
3	34116604	Mittelrohr 156 1.9 & 2.4 JTD 1.9 JTD bis # 0434143	SEK1,179.93
4	35185211	OE. 55185211 REAR SILENCER 156/SW 2.4 JTD 20V	SEK3,474.58
5	38094560	Dichtung VSD 145/6,156,166 JTD	SEK69.93
6	38094484	OE. 73503584 GASKET	SEK145.69
7	38091143	OE. 60811640 / 60816516 EXHAUST RUBBER	SEK42.60
8	38091066	OE. 60655991 / 60814913 / 60695841 EXHAUST RUBBER	SEK45.51

Sportauspuff/Sport Exhaust System 156 TS CF2



156 16V T.S. 1.6/1.8/2.0 +EURO 3 +SPORTWAGON

10/'97-

1 3621164 SPORT END MUFFLER 156 TS 16V

SEK3,263.26

2 38091066 OE. 60655991 / 60814913 / 60695841 EXHAUST RUBBER

SEK45.51

Sportauspuff/Sport Exhaust System 156 TS CF3



156 16V T.S. 1.6/1.8/2.0 +EURO 3 +SPORTWAGON

10/'97-

1 3621164 SPORT END MUFFLER 156 TS 16V

SEK3,263.26

2 38091066 OE. 60655991 / 60814913 / 60695841 EXHAUST RUBBER

SEK45.51

Sportauspuff/Sport Exhaust System 156 2.0 JTS



156 2.0 JTS 16V - 2.5 V6 24V - JTD TURBO DIESEL 1.9/2.4

10/'97-

1	3621165	REAR SPORT SILENCER 156 JTS/JTD/V6 24V - ENDPipe CHROMED	On request
		120x76 mm	
2	38091066	OE. 60655991 / 60814913 / 60695841 EXHAUST RUBBER	SEK45.51

Sportauspuff/Sport Exhaust System 156 2.5 V6 24V



156 2.0 JTS 16V - 2.5 V6 24V - JTD TURBO DIESEL 1.9/2.4

10/'97-

1	3621165	REAR SPORT SILENCER 156 JTS/JTD/V6 24V - ENDPipe CHROMED 120x76 mm	On request
2	38091066	OE. 60655991 / 60814913 / 60695841 EXHAUST RUBBER	SEK45.51

Sportauspuff/Sport Exhaust System 156 1.9 JTD 8V



156 2.0 JTS 16V - 2.5 V6 24V - JTD TURBO DIESEL 1.9/2.4

10/'97-

1	3621165	REAR SPORT SILENCER 156 JTS/JTD/V6 24V - ENDBPIPE CHROMED 120x76 mm	On request
2	38091066	OE. 60655991 / 60814913 / 60695841 EXHAUST RUBBER	SEK45.51

Sportauspuff/Sport Exhaust System 156 1.9 JTD 16V



156 2.0 JTS 16V - 2.5 V6 24V - JTD TURBO DIESEL 1.9/2.4

10/'97-

1	3621165	REAR SPORT SILENCER 156 JTS/JTD/V6 24V - ENDBPIPE CHROMED	On request
		120x76 mm	
2	38091066	OE. 60655991 / 60814913 / 60695841 EXHAUST RUBBER	SEK45.51

Sportauspuff/Sport Exhaust System 156 2.4 JTD 10V



156 2.0 JTS 16V - 2.5 V6 24V - JTD TURBO DIESEL 1.9/2.4

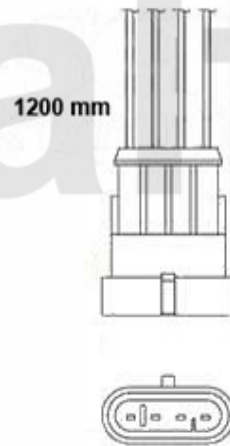
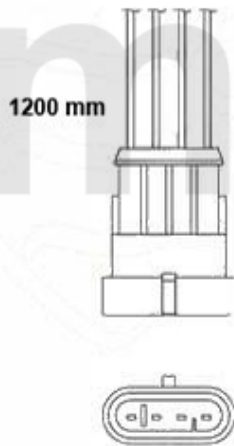
10/'97-

1	3621165	REAR SPORT SILENCER 156 JTS/JTD/V6 24V - ENDBPIPE CHROMED	120x76 mm	On request
2	38091066	OE. 60655991 / 60814913 / 60695841 EXHAUST RUBBER		SEK45.51

Lambda-Sonde/Lambda Probe 156 TS CF2

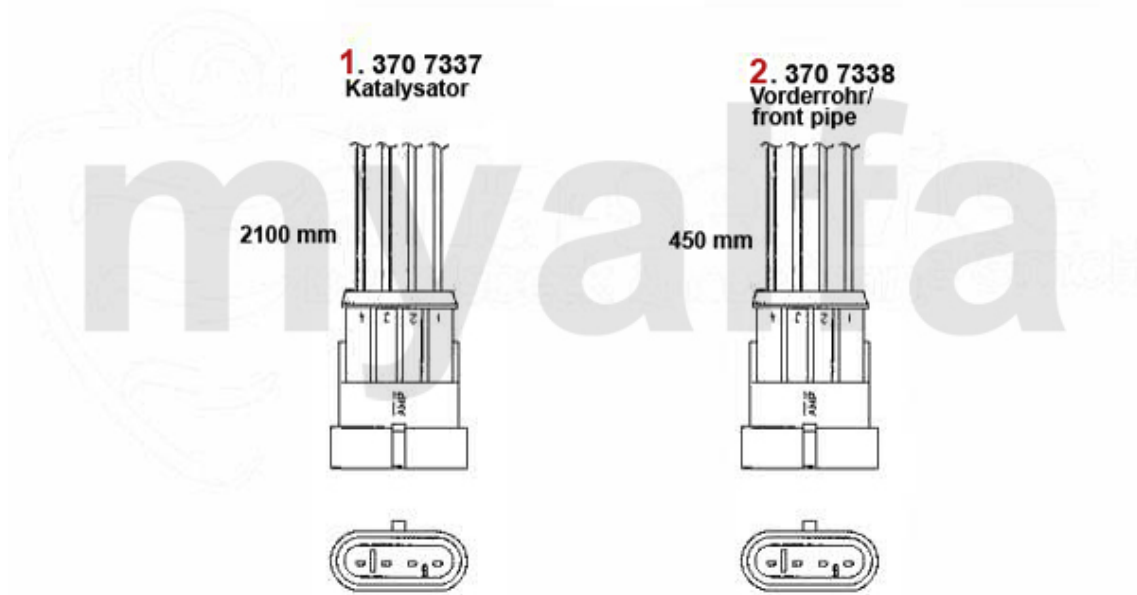
1. 370 7023
1.6 >1997
> #0012329

2. 370 7405
1.6 1998>
0012330>
1.8/2.0



1	3707023	LAMBDA SENSOR 145/6 2.0 16V TSFROM 11.96>ON,156 1.6 16V TS> #0023373, 164 Super 2.0 TS/3.0	SEK1,584.53
2	3707405	OE. 46750246 LAMBDA PROBE	SEK1,543.73

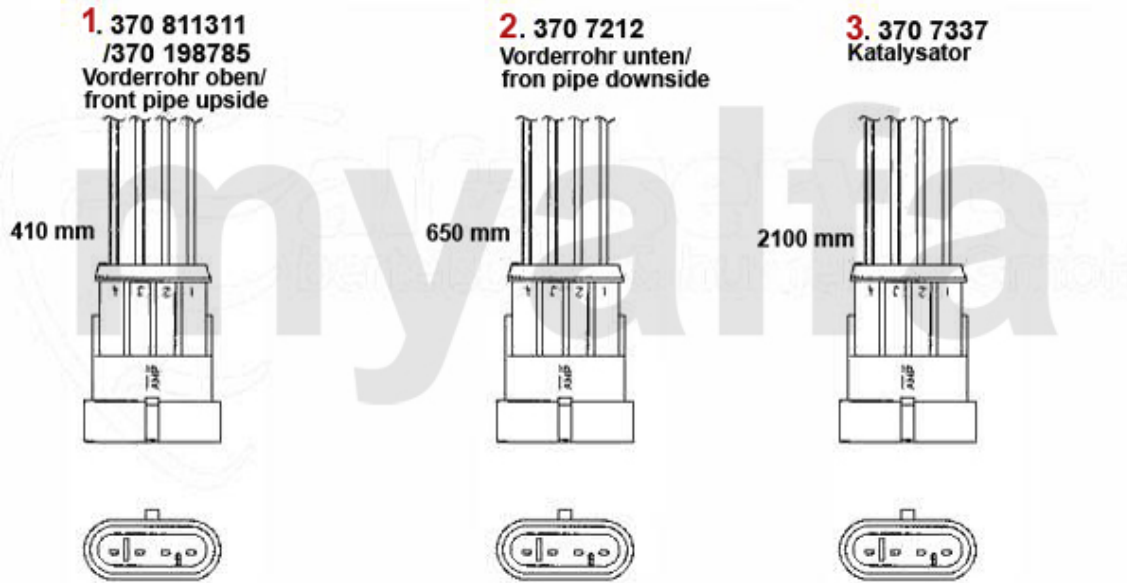
Lambda-Sonde/Lambda Probe 156 TS CF3



- 1 3707337 OE. 46760863 LAMBDA PROBE 147,156 1.6 (88KW)/1.8
- 2 3707338 OE: 46762182 LAMBDA PROBE

SEK1,620.74
On request

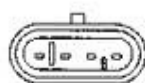
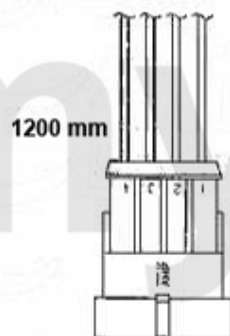
Lambda-Sonde/Lambda Probe 156 2.0 JTS



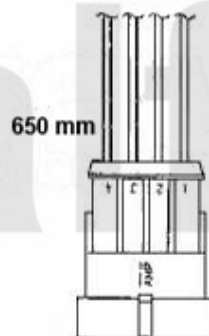
1	37011311	OE. 46811311 LAMBDA PROBE 156, 166, gtv/spider (916), Nuovo GT 2.0 TS CF3/ JTS >05.2005	SEK1,737.29
1	37098785	OE. 55198785 LAMBDA PROBE 156 2.0 JTS FRONT PIPE TOP	SEK1,673.19
2	3707212	OE. 46750243 LAMBDA PROBE	SEK1,387.50
3	3707337	OE. 46760863 LAMBDA PROBE 147,156 1.6 (88KW)/1.8	SEK1,620.74

Lambda-Sonde/Lambda Probe 156 2.5 V6 24V Bj. >02

1. 370 7405
Schaltwagen/
manual transmission



2. 370 7212
Auto/matik
automatic transmission



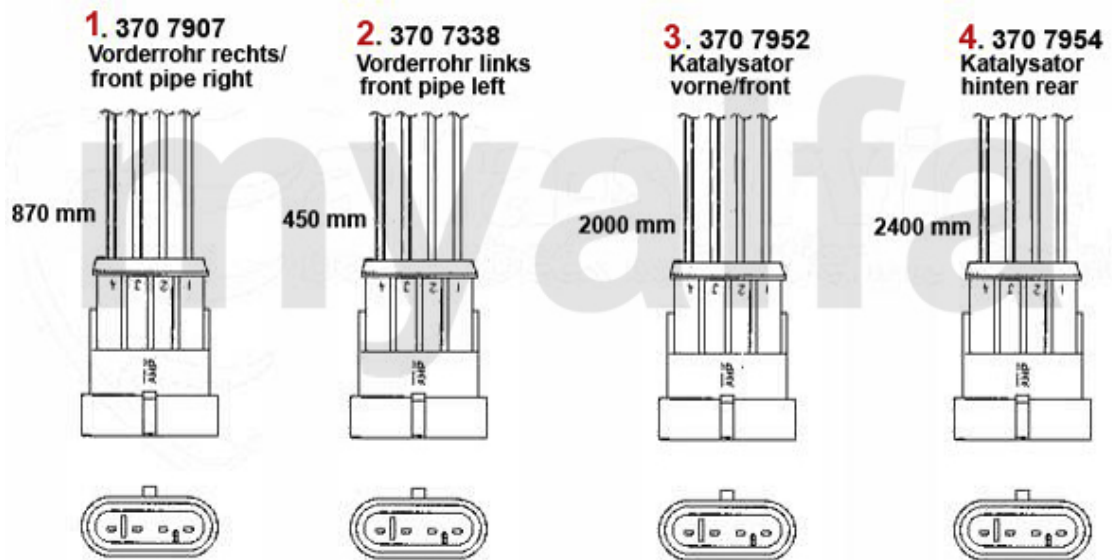
1 3707405 OE. 46750246 LAMBDA PROBE

SEK1,543.73

2 3707212 OE. 46750243 LAMBDA PROBE

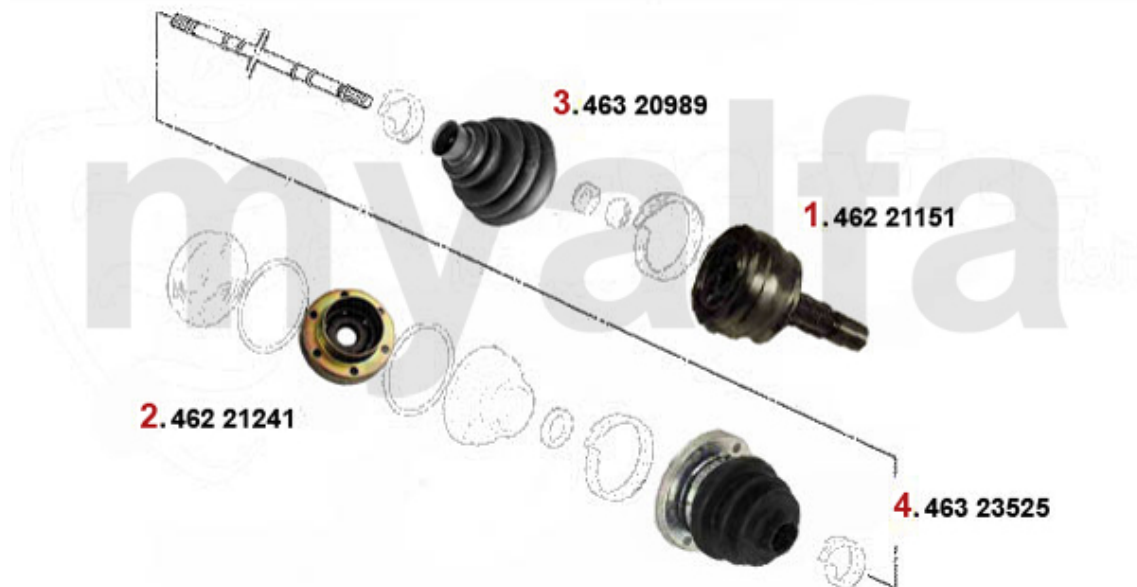
SEK1,387.50

Lambda-Sonde/Lambda Probe 156 2.5 V6 24V/GTA CF3 Bj. 02>



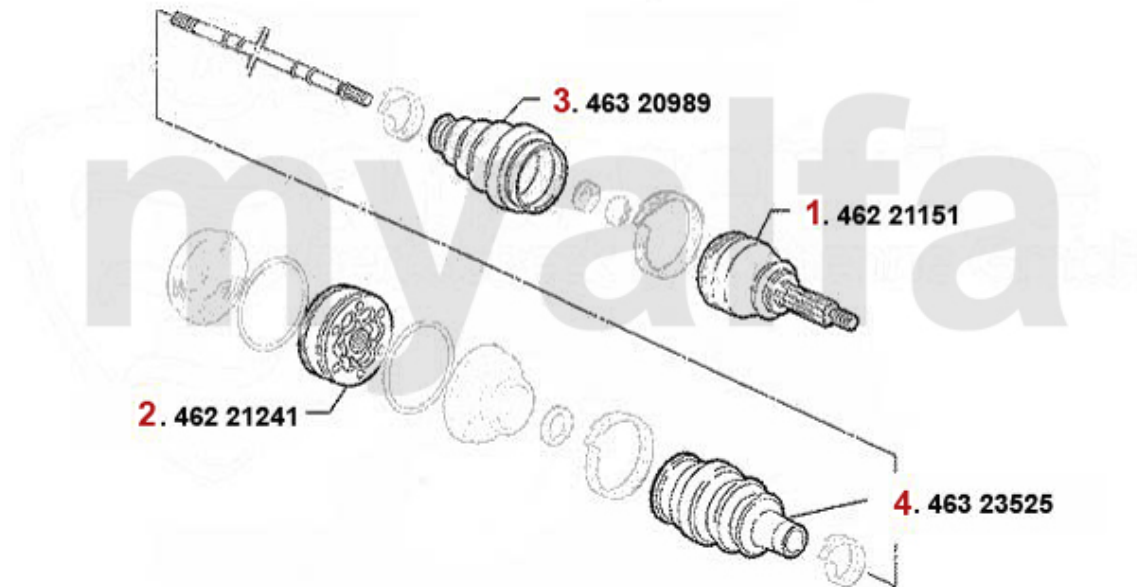
1	3707907	OE. 46764207 LAMBDA PROBE	SEK1,620.74
2	3707338	OE: 46762182 LAMBDA PROBE	On request
3	3707952	OE: 46805749 LAMDA PROBE	On request
4	3707954	OE. 46805750 LAMBDA PROBE	On request

Antriebswelle/Driveshaft 156 1.6/1.8 TS



1	46221151	Gelenksatz außen 156 1.8/1.8/2.0 16V TS,gtv (916) 1.8/2.0 TS/JTS Bj. 98>,Nuovo GT	SEK1,387.50
2	46221241	INNER JOINT SET GTV/SPIDER (916), 155, 145/6 TS 16V, 156 TS 16V, 166 2.0 TS, 147 1.6/2.0 TS	SEK1,340.88
3	46320989	OE. 46429633 DRIVE SHAFT BOOT SET	SEK243.65
4	46323525	OE. 9945301 BOOT	SEK320.65

Antriebswelle/Driveshaft 156 2.0 TS



1	46221151	Gelenksatz außen 156 1.8/1.8/2.0 16V TS,gtv (916) 1.8/2.0 TS/JTS Bj. 98>,Nuovo GT	SEK1,387.50
2	46221241	INNER JOINT SET GTV/SPIDER (916), 155, 145/6 TS 16V, 156 TS 16V, 166 2.0 TS, 147 1.6/2.0 TS	SEK1,340.88
3	46320989	OE. 46429633 DRIVE SHAFT BOOT SET	SEK243.65
4	46323525	OE. 9945301 BOOT	SEK320.65

Antriebswelle/Driveshaft 156 2.0 JTS



1	46221151	Gelenksatz außen 156 1.8/1.8/2.0 16V TS,gtv (916) 1.8/2.0 TS/JTS Bj. 98>,Nuovo GT	SEK1,387.50
2	46221241	INNER JOINT SET GTV/SPIDER (916), 155, 145/6 TS 16V, 156 TS 16V, 166 2.0 TS, 147 1.6/2.0 TS	SEK1,340.88
3	46320989	OE. 46429633 DRIVE SHAFT BOOT SET	SEK243.65
4	46323525	OE. 9945301 BOOT	SEK320.65

Antriebswelle/Driveshaft 156 2.5 V6 24V



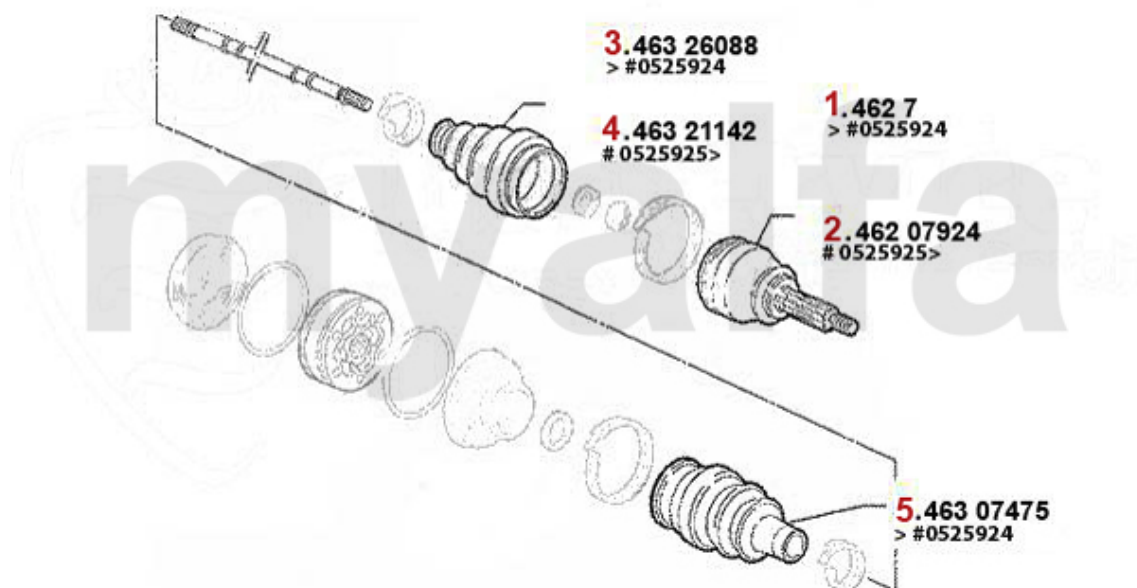
1 4627	Gelenksatz außen 145/6 1.9 JTD (77kw) mit/ohne ABS,155,gtv/spider (916) V6 # 6063041>	SEK1,465.62
2 46326088	OE. 60556609 OUTER BOOT SET	SEK348.68
3 46307475	OE. 46307374 BOOT 147 1.9 JTD 16V	SEK343.96

Antriebswelle/Driveshaft 156 3.2 V6 24V/GTA



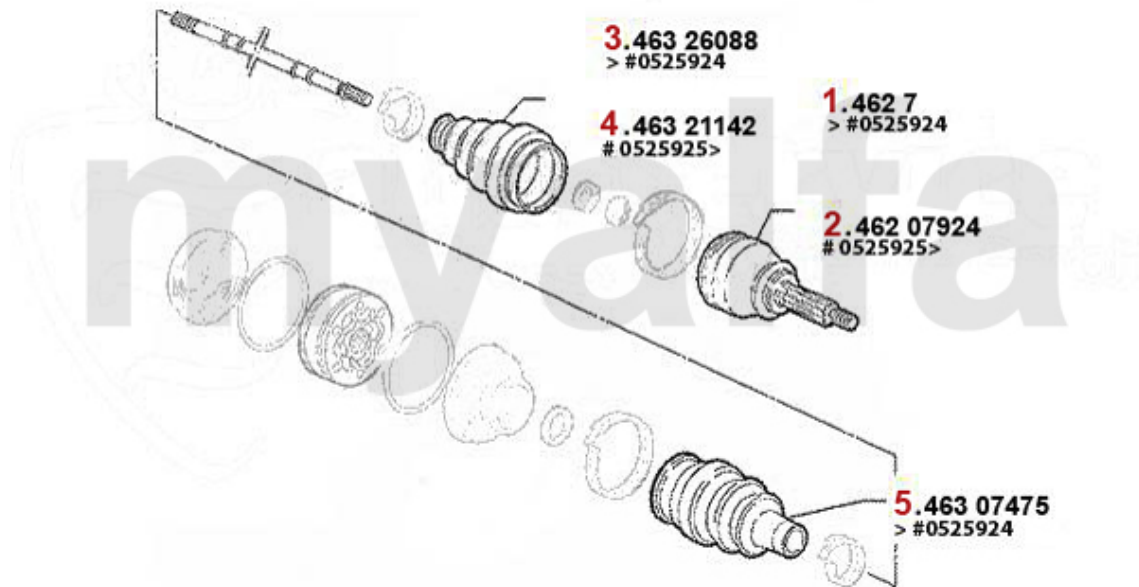
1	4627922	OE. 46307922 CONST.VELLOCITY JOI 147,156, Nuovo GT 3.2 V6	On request
1	4627	Gelenksatz außen 145/6 1.9 JTD (77kw) mit/ohne ABS,155,gtv/spider (916) V6 # 6063041>	SEK1,465.62
2	46321142	OE. 46307733 BOOT SET 147,156,gtv/spider (916),Nuovo GT 3.2 V6 24V/GTA	SEK383.64
3	46311610	UNIVERSAL DRIVE SHAFT BOOT	SEK255.30

Antriebswelle/Driveshaft 156 1.9 JTD 8V



1	4627	Gelenksatz außen 145/6 1.9 JTD (77kw) mit/ohne ABS,155,gtv/spider (916) V6 # 6063041>	SEK1,465.62
2	4627924	OE. 46307924 CONST.VELLOCITY JOI 156 1.9 JTD 8V (85KW)	SEK1,836.36
3	46326088	OE. 60556609 OUTER BOOT SET	SEK348.68
4	46321142	OE. 46307733 BOOT SET 147,156,gtv/spider (916),Nuovo GT 3.2 V6 24V/GTA	SEK383.64
5	46307475	OE. 46307374 BOOT 147 1.9 JTD 16V	SEK343.96

Antriebswelle/Driveshaft 156 1.9 JTD 16V



1	4627	Gelenksatz außen 145/6 1.9 JTD (77kw) mit/ohne ABS,155,gtv/spider (916) V6 # 6063041>	SEK1,465.62
2	4627924	OE. 46307924 CONST.VELLOCITY JOI 156 1.9 JTD 8V (85KW)	SEK1,836.36
3	46326088	OE. 60556609 OUTER BOOT SET	SEK348.68
4	46321142	OE. 46307733 BOOT SET 147,156,gtv/spider (916),Nuovo GT 3.2 V6 24V/GTA	SEK383.64
5	46307840	OE. 46307840 BOOT SET 147 1.9 JTD # 3145308>	SEK298.45

Antriebswelle/Driveshaft 156 2.4 JTD 10V



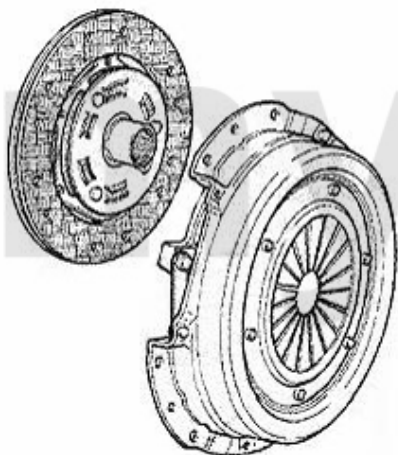
1	4627	Gelenksatz außen 145/6 1.9 JTD (77kw) mit/ohne ABS,155,gtv/spider (916) V6 # 6063041>	SEK1,465.62
2	46326088	OE. 60556609 OUTER BOOT SET	SEK348.68
3	46307475	OE. 46307374 BOOT 147 1.9 JTD 16V	SEK343.96

Antriebswelle/Driveshaft 156 2.4 JTD 20V



1	4627924	OE. 46307924 CONST.VELOCITY JOI 156 1.9 JTD 8V (85KW)	SEK1,836.36
2	46321142	OE. 46307733 BOOT SET 147,156,gtv/spider (916),Nuovo GT 3.2 V6 24V/GTA	SEK383.64
3	46307840	OE. 46307840 BOOT SET 147 1.9 JTD # 3145308>	SEK298.45

Kupplungs-Kit/Clutch Set 156 1.6/1.8 TS

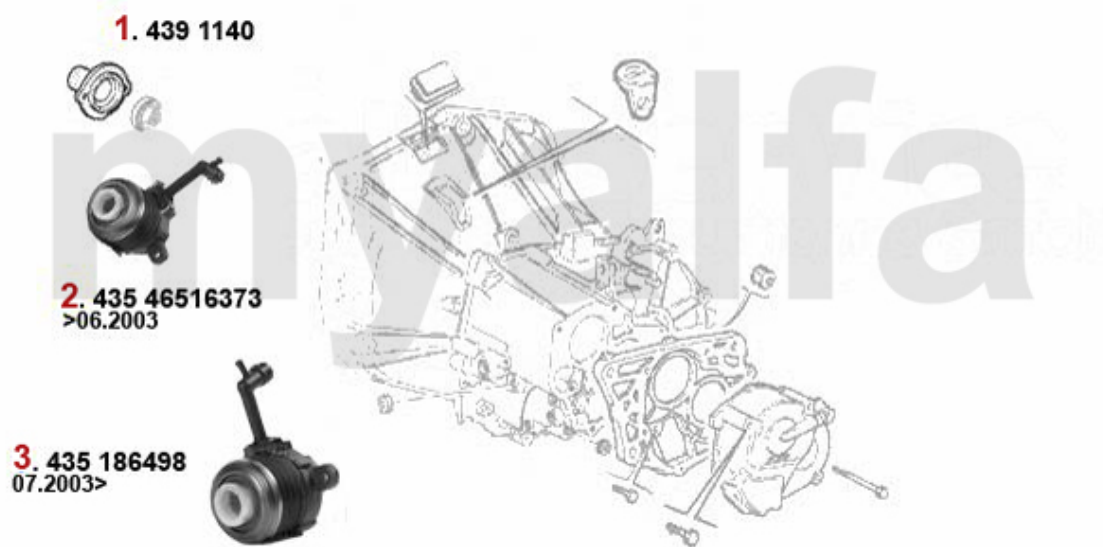


1. 431 853201
Ø 215 mm

1 43153201 CLUTCH KIT 147,156 1.6/1.8 16V TS FROM 09.97 ON, NUOVO GT 1,8 TS

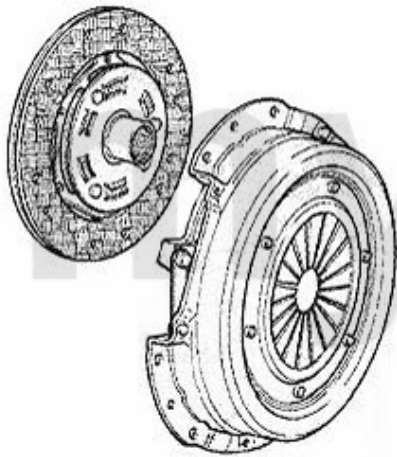
SEK2,471.83

Ausrücker/Sleeve Bearing 156 1.6/1.8 TS



1	4391140	OE. 46411139 MOUNT	SEK571.37
2	43516373	OE. 55184041 SLEEVE BEARING	SEK1,504.05
2	43586498	OE. 55186498 SLEEVE T/OBEARING 147,Nuovo GT	SEK849.98

Kupplungs-Kit/Clutch Set 156 2.0 TS



1. 431 951301
Ø 230 mm

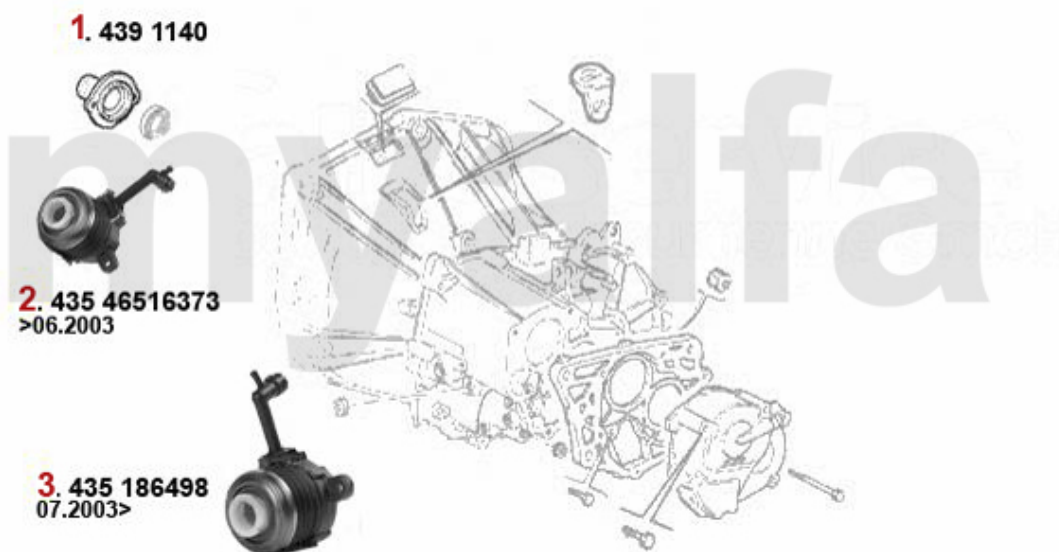


2. 435 186498

1 43151301 OE. 55190114 CLUTCH KIT 147, 156/SW 2.0 TS

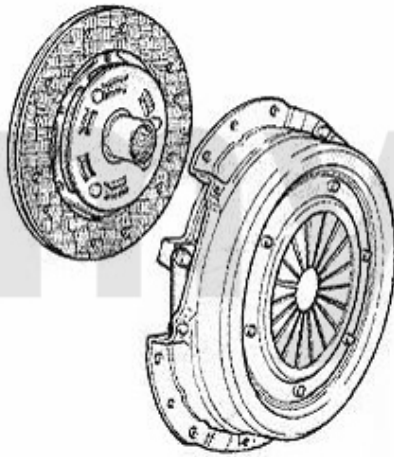
SEK3,369.68

Ausrücker/Sleeve Bearing 156 2.0 TS



1	4391140	OE. 46411139 MOUNT	SEK571.37
2	43516373	OE. 55184041 SLEEVE BEARING	SEK1,504.05
2	43586498	OE. 55186498 SLEEVE T/O BEARING 147, Nuovo GT	SEK849.98

Kupplungs-Kit/Clutch Set 156 2.0 JTS



1. 431 951301
Ø 230 mm

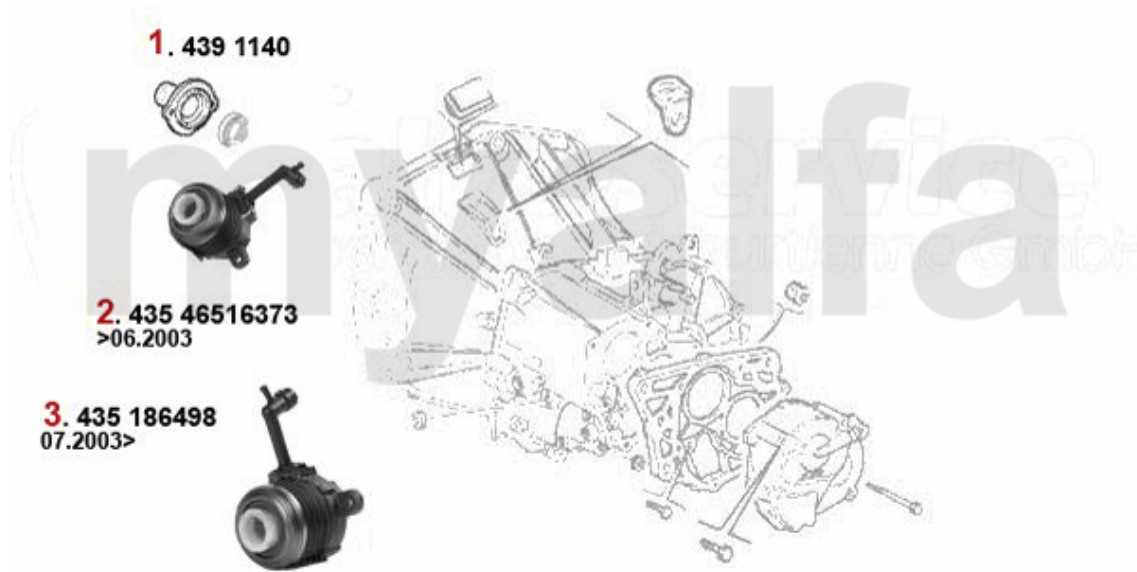


2. 435 186498

1 43151301 OE. 55190114 CLUTCH KIT 147, 156/SW 2.0 TS

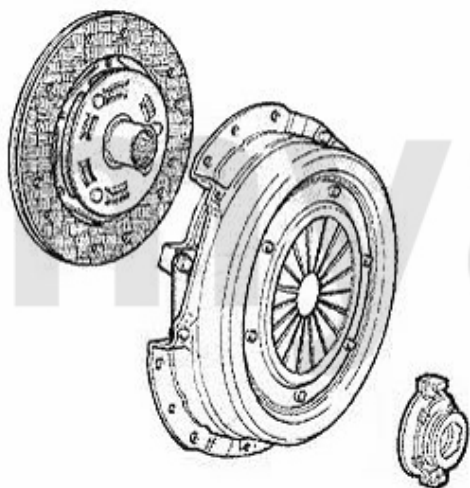
SEK3,369.68

Ausrücker/Sleeve Bearing 156 2.0 JTS



1	4391140	OE. 46411139 MOUNT	SEK571.37
2	43516373	OE. 55184041 SLEEVE BEARING	SEK1,504.05
2	43586498	OE. 55186498 SLEEVE T/OBEARING 147,Nuovo GT	SEK849.98

Kupplungs-Kit/Clutch Set 156 2.5 V6 24V



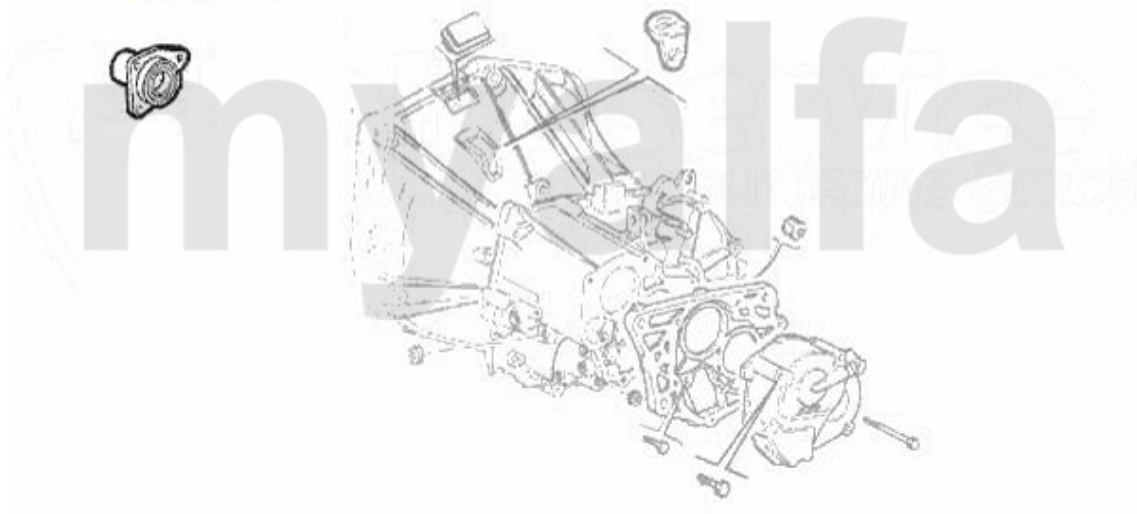
1. 431 739492
Ø 235 mm

1 43139492 OE. 71739492 CLUTCH SET

SEK4,185.81

Ausrücker/Sleeve Bearing 156 2.5 V6 24V

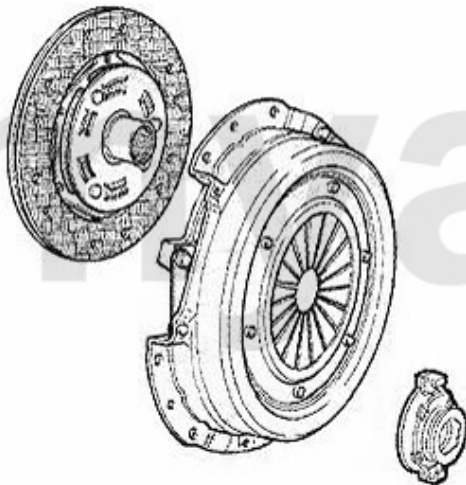
1. 436 11951



1 43611951 OE.46411951 GUIDE SLEEVE RELEASE BEARING

SEK1,737.29

Kupplungs-Kit/Clutch Set 156 3.2 V6 24V/GTA



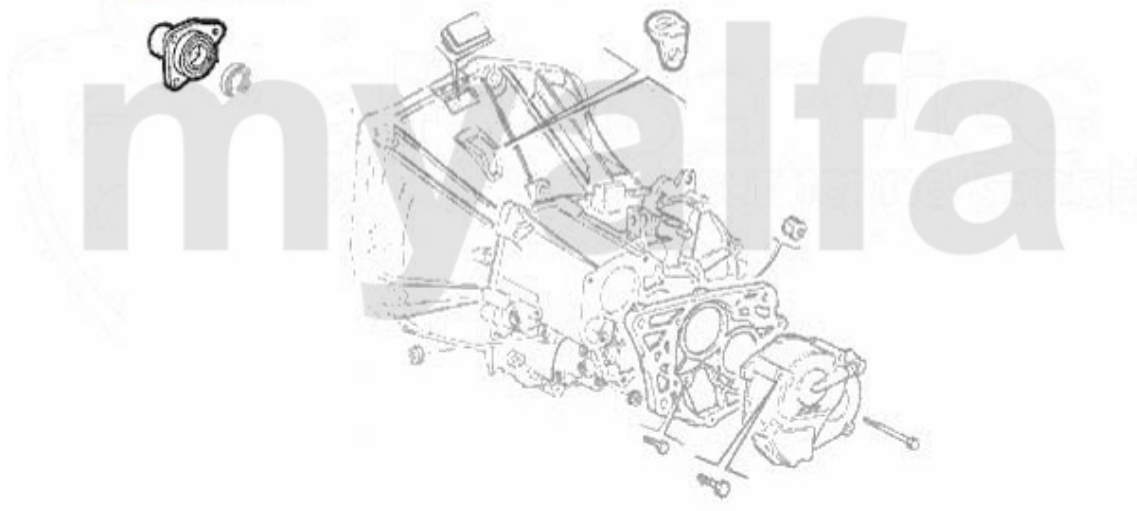
1. 431 739521
Ø 235 mm

1 43139521 OE. 71739521/71728897 CLUTCH KIT 147,156,916 GTA 147, 156,

SEK5,538.35

Ausrücker/Sleeve Bearing 156 3.2 V6 24V/GTA

1. 436 11951

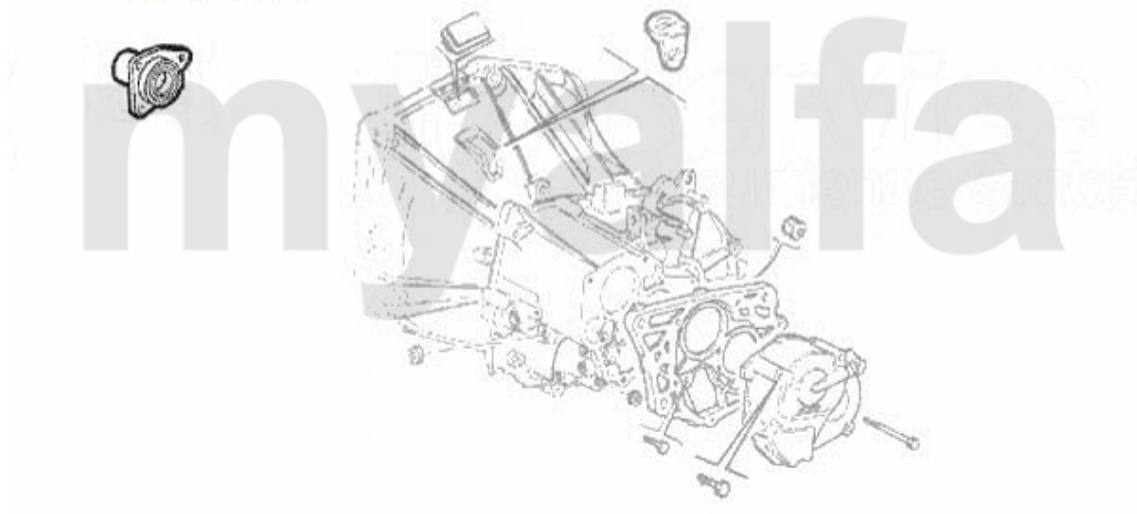


1 43611951 OE.46411951 GUIDE SLEEVE RELEASE BEARING

SEK1,737.29

Ausrücker/Sleeve Bearing 156 1.9 JTD 8V

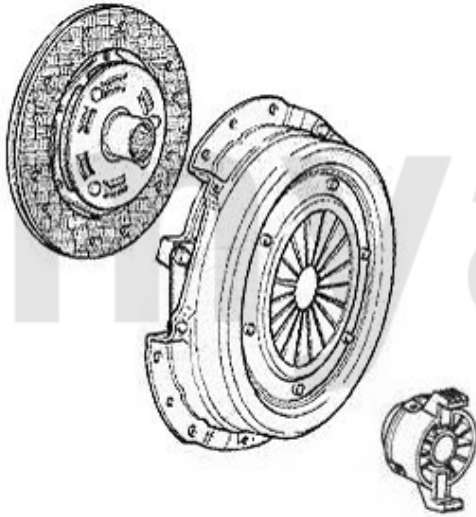
1. 436 11951



1 43611951 OE.46411951 GUIDE SLEEVE RELEASE BEARING

SEK1,737.29

Kupplungs-Kit/Clutch Set 156 1.9 JTD 8V



1. 431 853501
Ø 235 mm

1 43153501 CLUTCH-KIT 145/6,156 1.9/2. 4 JTD 166 2.0 TS Bj. 09.97-10.00
(WITHOUT RELEASE)

SEK3,929.26

Kupplungs-Kit/Clutch Set 156 1.9 JTD 16V

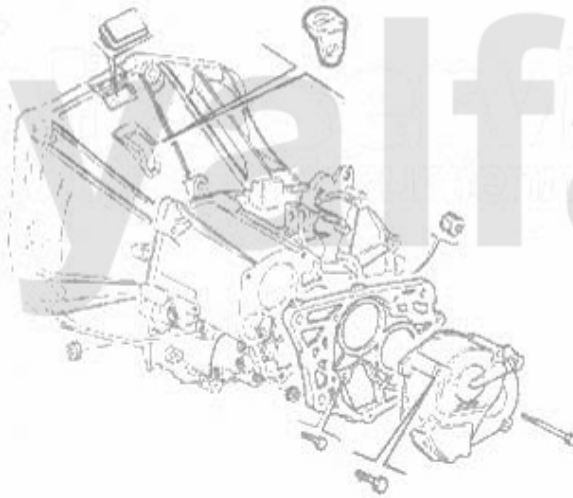


**1 43153501 CLUTCH-KIT 145/6,156 1.9/2. 4 JTD 166 2.0 TS Bj. 09.97-10.00
(WITHOUT RELEASE)**

SEK3,929.26

Ausrücker/Sleeve Bearing 156 1.9 JTD 16V

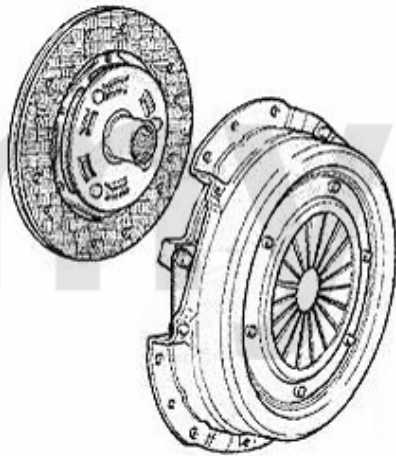
1. 436 11951



1 43611951 OE.46411951 GUIDE SLEEVE RELEASE BEARING

SEK1,737.29

Kupplungs-Kit/Clutch Set 156 2.4 JTD 10V



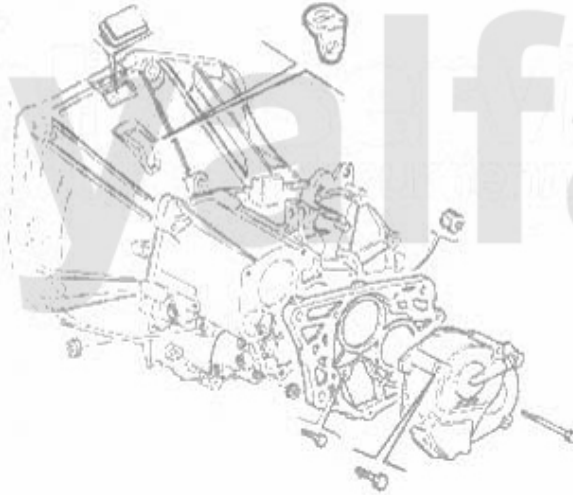
1. 431 853501
Ø 235 mm

1 43153501 CLUTCH-KIT 145/6,156 1.9/2. 4 JTD 166 2.0 TS Bj. 09.97-10.00
(WITHOUT RELEASE)

SEK3,929.26

Ausrücker/Sleeve Bearing 156 2.4 JTD 10V

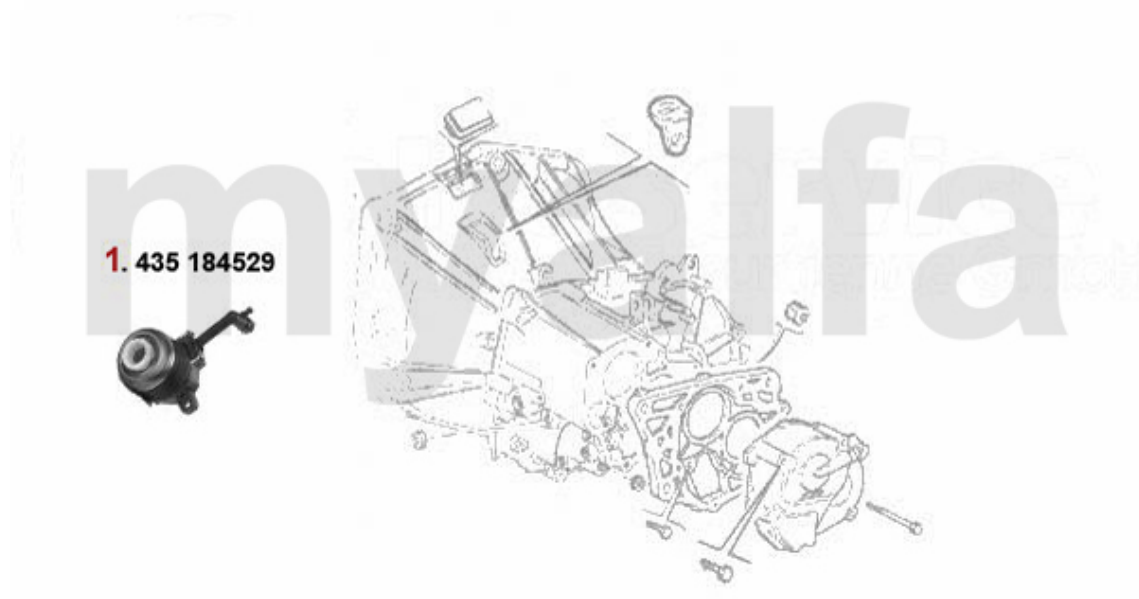
1. 436 11951



1 43611951 OE.46411951 GUIDE SLEEVE RELEASE BEARING

SEK1,737.29

Ausrücker/Sleeve Bearing 156 2.4 JTD 20V



1 43584529 OE. 55184529 ACTUATOR 156/166 2.4 JTD 20V

SEK815.02

Kupplungsbetätigung/Clutch Actuation 156 1.6/1.8 TS

myalfa



1. 438 16374

1 43816374 OE. 46516374 CLUTCH PUMP 156 TS/JTS/JTD 20V

SEK1,387.50

Kupplungsbetätigung/Clutch Actuation 156 2.0 TS

mvalfa



1. 438 16374

1 43816374 OE. 46516374 CLUTCH PUMP 156 TS/JTS/JTD 20V

SEK1,387.50

Kupplungsbetätigung/Clutch Actuation 156 2.0 JTS



1. 438 16374

1 43816374 OE. 46516374 CLUTCH PUMP 156 TS/JTS/JTD 20V

SEK1,387.50

Kupplungsbetätigung/Clutch Actuation 156 2.5 V6 24V



1	43824868	OE. 46424868 CLUTCH MASTER CYLINDER	SEK1,387.50
2	4388	CLUTCH SLAVE CLYINDER SUD/SPRINT, 33 (905/7), 145, 156, 156	SEK698.47

Kupplungsbetätigung/Clutch Actuation 156 3.2 V6 24V/GTA



3. 438 760630
+ Selespeed

1	43824868	OE. 46424868 CLUTCH MASTER CYLINDER	SEK1,387.50
2	4388	CLUTCH SLAVE CLYINDER SUD/SPRINT, 33 (905/7), 145, 156, 156	SEK698.47
3	43876063	OE. 60607663 CLUTCH CYLINDER 147, Nuovo GT 1.9 JTD/3.2 V6 24V/GTA Selespeed	On request

Kupplungsbetätigung/Clutch Actuation 156 1.9 JTD 8V



1 43824868 OE. 46424868 CLUTCH MASTER CYLINDER

SEK1,387.50

2 4388 CLUTCH SLAVE CLYINDER SUD/SPRINT, 33 (905/7), 145, 156, 156

SEK698.47

Kupplungsbetätigung/Clutch Actuation 156 1.9 JTD 16V



1 43824868 OE. 46424868 CLUTCH MASTER CYLINDER

SEK1,387.50

2 4388 CLUTCH SLAVE CLYINDER SUD/SPRINT, 33 (905/7), 145, 156, 156

SEK698.47

Kupplungsbetätigung/Clutch Actuation 156 2.4 JTD 10V



1	43824868	OE. 46424868 CLUTCH MASTER CYLINDER	SEK1,387.50
2	4388	CLUTCH SLAVE CLYINDER SUD/SPRINT, 33 (905/7), 145, 156, 156	SEK698.47

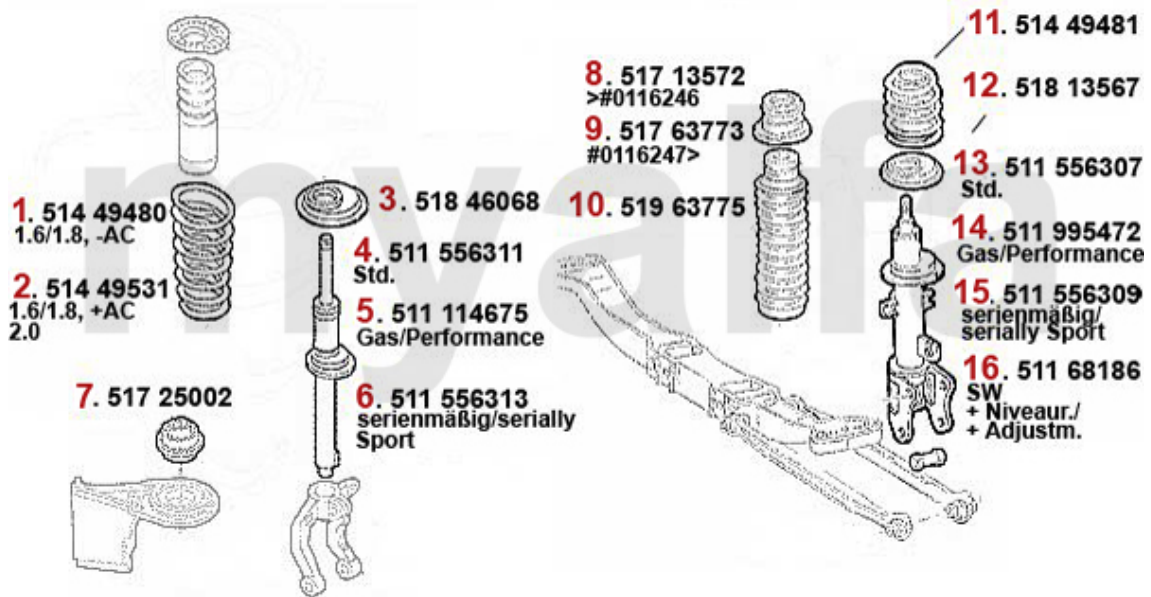
Kupplungsbetätigung/Clutch Actuation 156 2.4 JTD 20V



1 43824868 OE. 46424868 CLUTCH MASTER CYLINDER

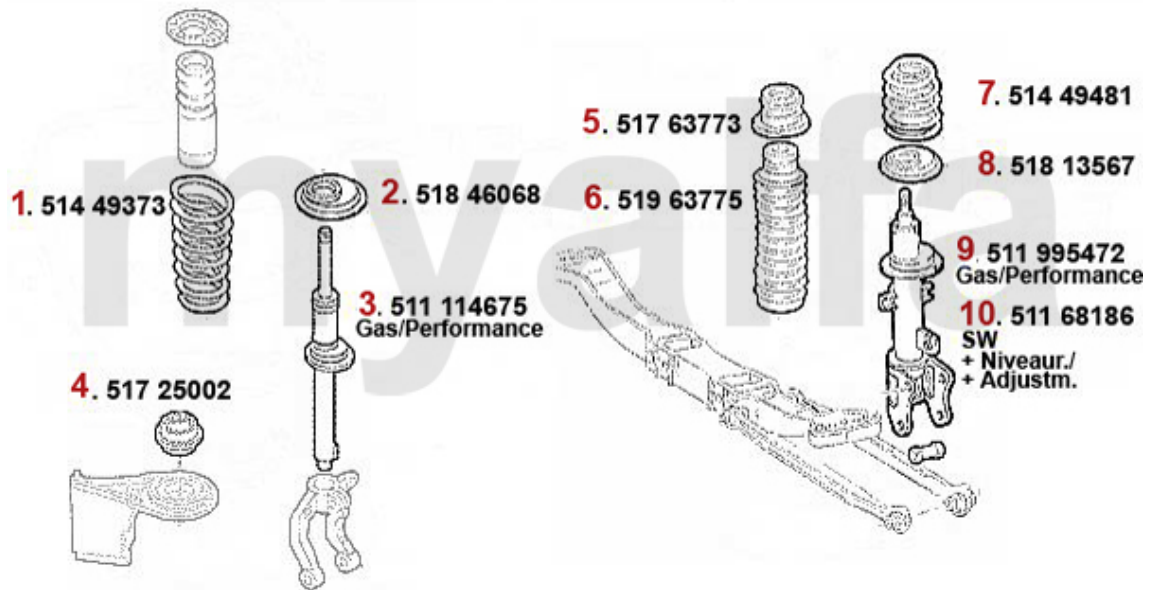
SEK1,387.50

Federbeine/Struts 156 TS 16V



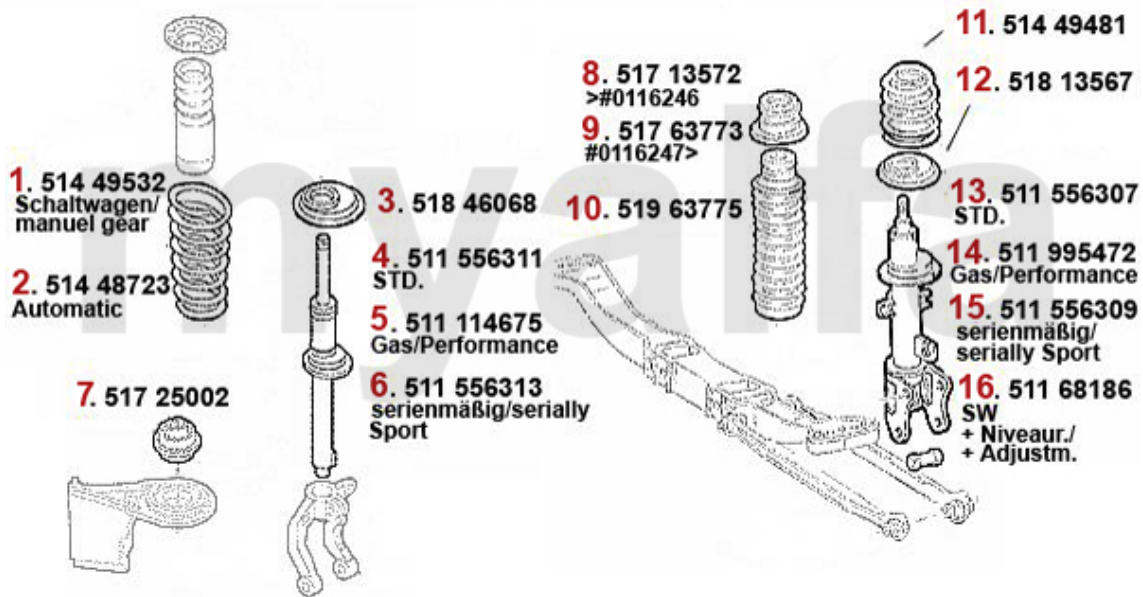
1	51449480	OE. 60654277 FRONT SPRING 156	SEK921.16
2	51449531	OE. 60624992 SPRING	SEK658.79
3	51846068	OE.46746068 RING f. STRUT 147 FA (RUBBER)	On request
4	51156311	Stossdämpfer vorne 156 oben Stift/unteren Schelle,1-Rohr Gas für Standardfahrwerk,Nuovo GT	SEK1,282.61
5	51214675	FRONT SHOCK ABSORBER 147/156 GAS PERFORMANCE	SEK1,399.16
6	51156313	OE. 60656819 FRONT STRUT 156	SEK1,515.71
7	51725002	OE. 60625002 UPPER STRUT BEARING	SEK274.03
8	51713572	OE. 60613572 ELASTIC PAD f. REAR STRUT 156 > #0116246	SEK599.26
9	51763773	OE. 60663773 ELASTIC PAD f. REAR STRUT 156 # 0116246>	SEK1,037.71
10	51963775	OE. 60663775 SET SHIELD f. STRUTS RA 147	SEK285.69
11	51449481	REAR SPRING 147, 156, NUOVO GT	SEK804.47
12	51813567	OE. 60613567 RING f. STRUT 147 RA	On request
13	51156307	OE. 60663776 / 60680817 REAR STRUT 156	SEK1,370.02
14	51295472	Federbein hinten 156,1-Rohr Gas Sporddämpfer zur Nachrüstung	SEK1,690.67
15	51156309	Federbein hinten 156,2-Rohr Gas,für Seriensportfahrwerk	SEK1,803.75
16	51168186	OE. 60668186 REAR SHOCK ABSORBER 156 SW w. ADJUSTMENT	On request

Federbeine/Struts 2.0 JTS



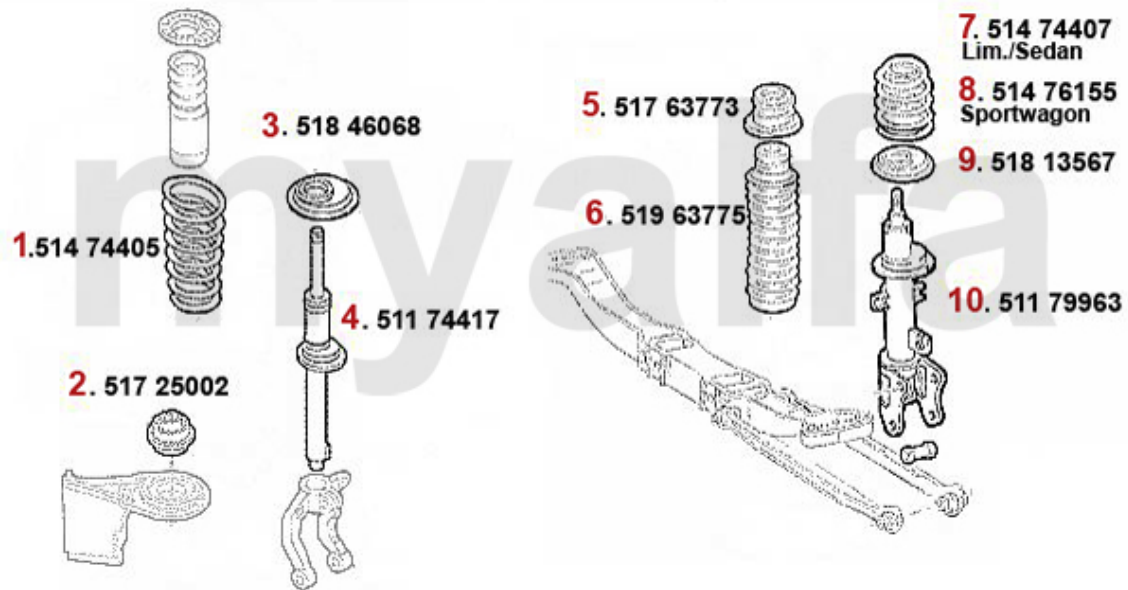
1	51449373	OE. 60654278 FRONTSRING 156	SEK652.96
2	51846068	OE.46746068 RING f. STRUT 147 FA (RUBBER)	On request
3	51214675	FRONT SHOCK ABSORBER 147/156 GAS PERFORMANCE	SEK1,399.16
4	51725002	OE. 60625002 UPPER STRUT BEARING	SEK274.03
5	51763773	OE. 60663773 ELASTIC PAD f. REAR STRUT 156 # 0116246>	SEK1,037.71
6	51963775	OE. 60663775 SET SHIELD f. STRUTS RA 147	SEK285.69
7	51449481	REAR SPRING 147, 156, NUOVO GT	SEK804.47
8	51813567	OE. 60613567 RING f. STRUT 147 RA	On request
9	51295472	Federbein hinten 156,1-Rohr Gas Sp ortdämpfer zur Nachrüstung	SEK1,690.67
10	51168186	OE. 60668186 REAR SHOCK ABSORBER 156 SW w. ADJUSTMENT	On request

Federbeine/Struts 2.5 V6 24V



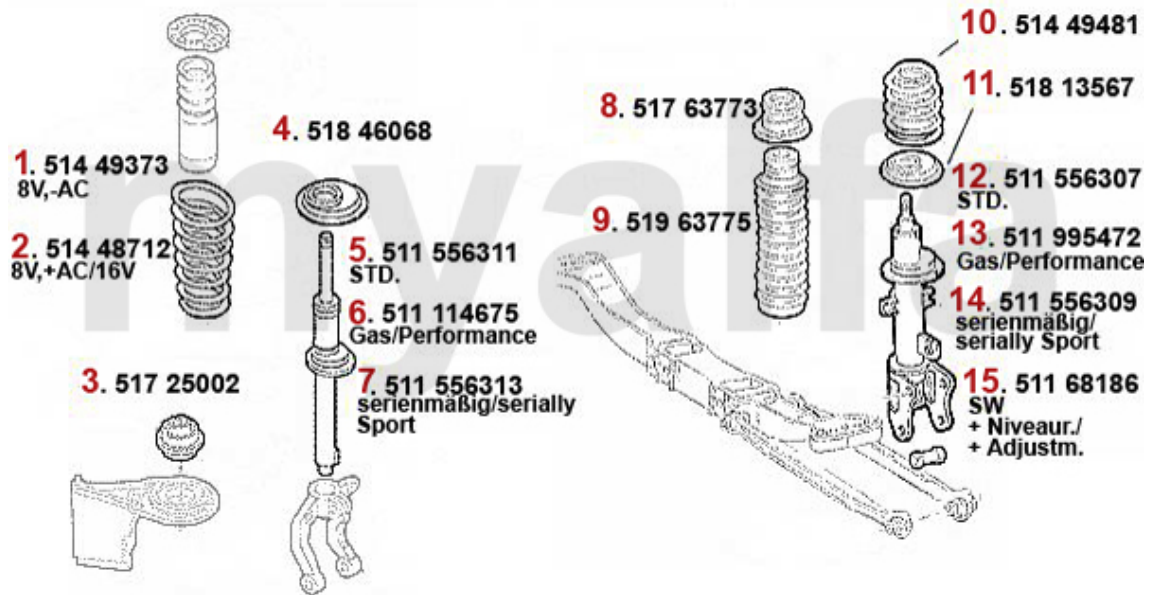
1	51449532	Fahrwerksfeder vorne 156 6-zylinder 2.4 JTD (nur ohne klima)	SEK706.52
2	51448723	OE. 60668437 SPRING FA Automatic	SEK808.08
3	51846068	OE.46746068 RING f. STRUT 147 FA (RUBBER)	On request
4	51156311	Stossdämpfer vorne 156 oben Stift/unteren Schelle,1-Rohr Gas für Standardfahrwerk,Nuovo GT	SEK1,282.61
5	51214675	FRONT SHOCK ABSORBER 147/156 GAS PERFORMANCE	SEK1,399.16
6	51156313	OE. 60656819 FRONT STRUT 156	SEK1,515.71
7	51725002	OE. 60625002 UPPER STRUT BEARING	SEK274.03
8	51713572	OE. 60613572 ELASTIC PAD f. REAR STRUT 156 > #0116246	SEK599.26
9	51763773	OE. 60663773 ELASTIC PAD f. REAR STRUT 156 # 0116246>	SEK1,037.71
10	51963775	OE. 60663775 SET SHIELD f. STRUTS RA 147	SEK285.69
11	51449481	REAR SPRING 147, 156, NUOVO GT	SEK804.47
12	51813567	OE. 60613567 RING f. STRUT 147 RA	On request
13	51156307	OE. 60663776 / 60680817 REAR STRUT 156	SEK1,370.02
14	51295472	Federbein hinten 156,1-Rohr Gas Sporddämpfer zur Nachrüstung	SEK1,690.67
15	51156309	Federbein hinten 156,2-Rohr Gas,für Seriensportfahrwerk	SEK1,803.75
16	51168186	OE. 60668186 REAR SHOCK ABSORBER 156 SW w. ADJUSTMENT	On request

Federbeine/Struts 156 GTA



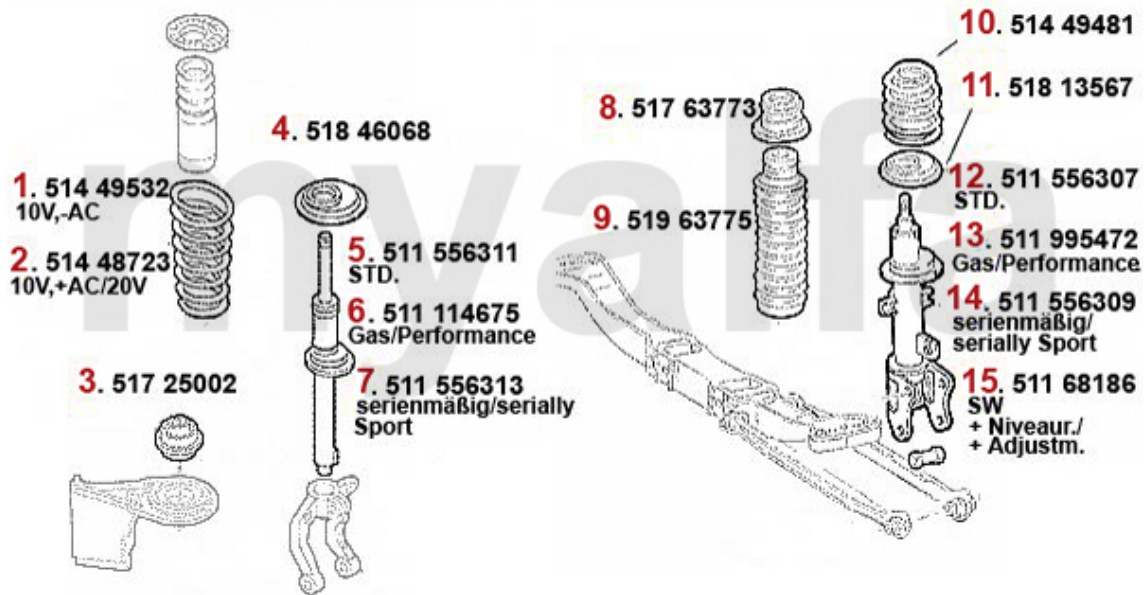
1	51474405	OE. 60674405 SPRING FA 147 GTA	SEK1,743.12
2	51725002	OE. 60625002 UPPER STRUT BEARING	SEK274.03
3	51846068	OE.46746068 RING f. STRUT 147 FA (RUBBER)	On request
4	51174417	OE. 60674417 SHOCK ABSORBER	On request
5	51763773	OE. 60663773 ELASTIC PAD f. REAR STRUT 156 # 0116246>	SEK1,037.71
6	51963775	OE. 60663775 SET SHIELD f. STRUTS RA 147	SEK285.69
7	51474407	OE. 60674407 SPRING RA 156 GTA SEDAN	SEK973.61
8	51476155	OE. 60676155 SPRING RA 156 SW	On request
9	51813567	OE. 60613567 RING f. STRUT 147 RA	On request
10	51179963	OE. 60679963 SHOCK ABSORBER	On request

Federbeine/Struts 156 1.9 JTD



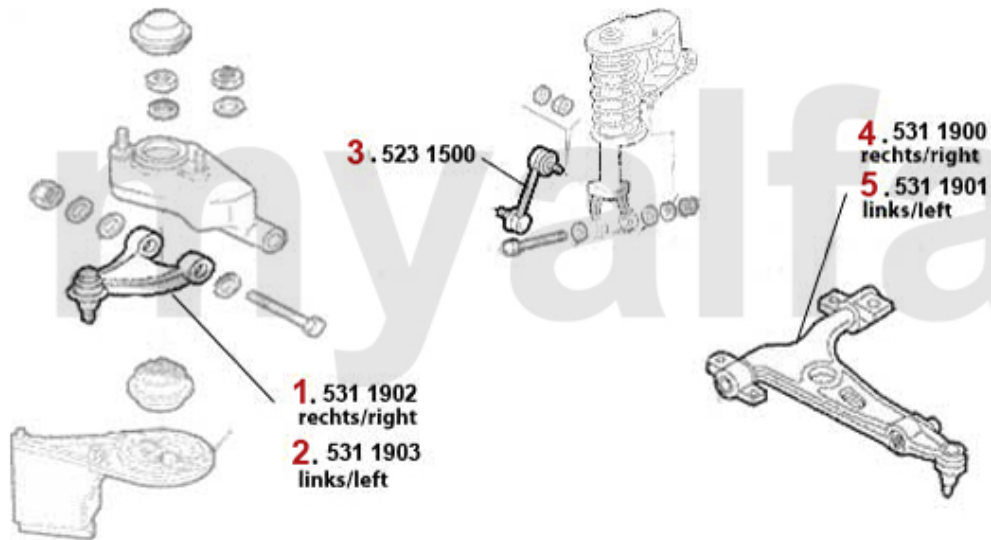
1	51449373	OE. 60654278 FRONTSRING 156	SEK652.96
2	51448712	OE. 60668248 SPRING FA 156 1.9 JTD with AC	SEK825.56
3	51725002	OE. 60625002 UPPER STRUT BEARING	SEK274.03
4	51846068	OE.46746068 RING f. STRUT 147 FA (RUBBER)	On request
5	51156311	Stossdämpfer vorne 156 oben Stift/unteren Schelle,1-Rohr Gas für Standardfahrwerk,Nuovo GT	SEK1,282.61
6	51214675	FRONT SHOCK ABSORBER 147/156 GAS PERFORMANCE	SEK1,399.16
7	51156313	OE. 60656819 FRONT STRUT 156	SEK1,515.71
8	51763773	OE. 60663773 ELASTIC PAD f. REAR STRUT 156 # 0116246>	SEK1,037.71
9	51963775	OE. 60663775 SET SHIELD f. STRUTS RA 147	SEK285.69
10	51449481	REAR SPRING 147, 156, NUOVO GT	SEK804.47
11	51813567	OE. 60613567 RING f. STRUT 147 RA	On request
12	51156307	OE. 60663776 / 60680817 REAR STRUT 156	SEK1,370.02
13	51295472	Federbein hinten 156,1-Rohr Gas Sp ordtdämpfer zur Nachrüstung	SEK1,690.67
14	51156309	Federbein hinten 156,2-Rohr Gas,für Seriensportfahrwerk	SEK1,803.75
15	51168186	OE. 60668186 REAR SHOCK ABSORBER 156 SW w. ADJUSTMENT	On request

Federbeine/Struts 156 2.4 JTD



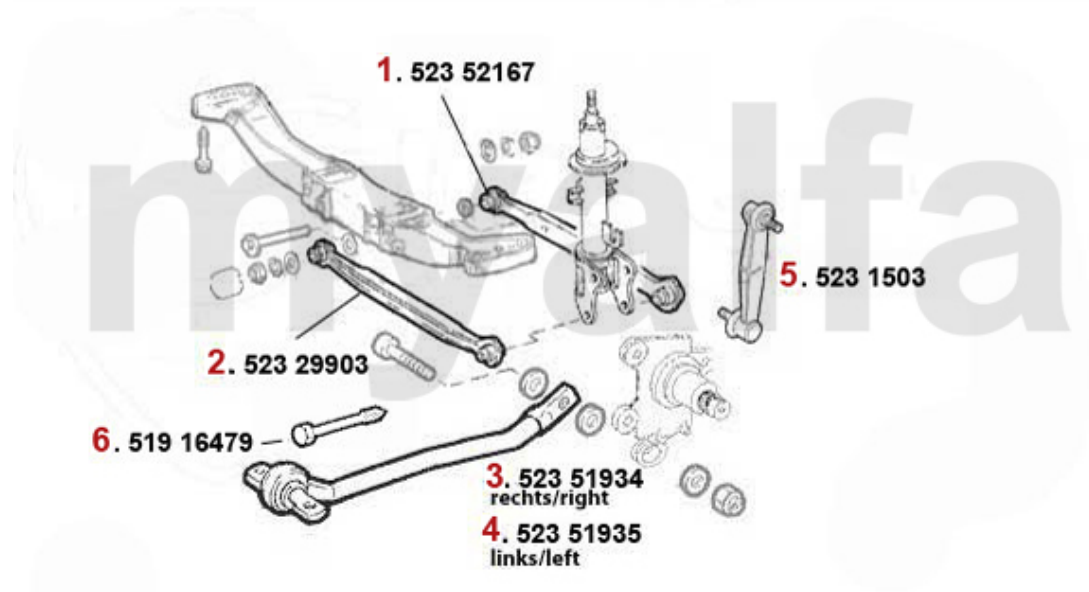
1	51449532	Fahrwerksfeder vorne 156 6-zylinder 2.4 JTD (nur ohne klima)	SEK706.52
2	51448723	OE. 60668437 SPRING FA Automatic	SEK808.08
3	51725002	OE. 60625002 UPPER STRUT BEARING	SEK274.03
4	51846068	OE.46746068 RING f. STRUT 147 FA (RUBBER)	On request
5	51156311	Stossdämpfer vorne 156 oben Stift/unteren Schelle,1-Rohr Gas für Standardfahrwerk,Nuovo GT	SEK1,282.61
6	51214675	FRONT SHOCK ABSORBER 147/156 GAS PERFORMANCE	SEK1,399.16
7	51156313	OE. 60656819 FRONT STRUT 156	SEK1,515.71
8	51763773	OE. 60663773 ELASTIC PAD f. REAR STRUT 156 # 0116246>	SEK1,037.71
9	51963775	OE. 60663775 SET SHIELD f. STRUTS RA 147	SEK285.69
10	51449481	REAR SPRING 147, 156, NUOVO GT	SEK804.47
11	51813567	OE. 60613567 RING f. STRUT 147 RA	On request
12	51156307	OE. 60663776 / 60680817 REAR STRUT 156	SEK1,370.02
13	51295472	Federbein hinten 156,1-Rohr Gas Sporddämpfer zur Nachrüstung	SEK1,690.67
14	51156309	Federbein hinten 156,2-Rohr Gas,für Seriensportfahrwerk	SEK1,803.75
15	51168186	OE. 60668186 REAR SHOCK ABSORBER 156 SW w. ADJUSTMENT	On request

Aufhängung/Attachment 156 vorne/front



1	5311902	OE. 51776326 UPPER RIGHT SWINGING ARM 147, 156, Nuovo	SEK878.01
2	5311903	OE. 51776327 UPPER LEFT SWINGING ARM 147, 156, Nuovo	SEK878.01
3	5231500	OE. 46443389 FRONT STABILIZER 147, 156, Nuovo GT	On request
4	5311900	OE. 60686892 LOWER CONTROL ARM RIGHT SIDE	SEK1,457.43
5	5311901	LOWER CONTROL ARM LEFT SIDE STEEL FORGED	SEK1,457.43

Aufhängung/Attachment 156 hinten/rear



1	52352167	OE. 51749713 ROD	SEK628.40
2	52329903	OE. 60629903 ROD	SEK635.48
3	52351934	OE. 60651934 Rod	SEK961.95
4	52351935	OE. 60651935 Rod	SEK961.95
5	5231503	OE. 60699021/60613575 REAR STABILIZER 147, 156, Nuovo GT	SEK412.78
6	51916479	OE.60616479 REAR STRUT BOLT 147, 156, GT	On request

Radlager/Wheel Bearing 156

vorne/front:



1. 543 16025



2. 543 3000

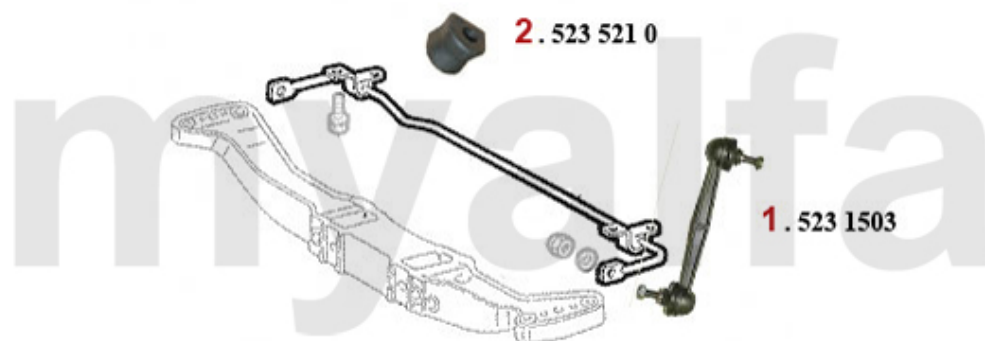
hinten/rear:



3. 543 1626

1	54416025	OE. 60671437 WHEEL BEARING	SEK1,743.12
2	5433000	FRONT WHEEL HUB 156,GTV/SPIDER(916)	SEK897.85
3	54316026	Radnabe hinten 147,156,Nuovo GT mit ABS	SEK1,911.00

Stabilisator hinten/rear Stabilizer 156/SW



- | | | |
|----------|----------------|---|
| 1 | 5231503 | OE. 60699021/60613575 REAR STABILIZER 147, 156, Nuovo GT |
| 2 | 5235210 | ANTI-ROLL BAR RUBBER REAR 147 >2004, 156 |

SEK412.78
On request

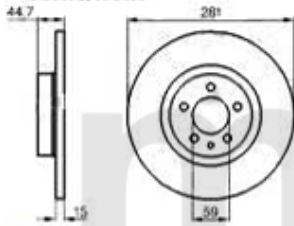
Lenkung/Steering 156



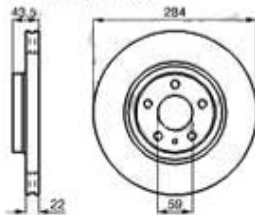
1	5541103	Spurstangenkopf links 147,156 166	SEK443.03
2	5541102	Spurstangenkopf rechts 147 156,166	SEK443.03
3	55591005	STEERING BOOT 147, 156, 166	SEK274.03

Bremsscheiben/Brakedisks 156/SW >2002

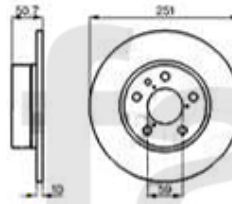
1. 610 101311
1.6/1.8 TS, 1.9 JTD > #0383456
vorne/front



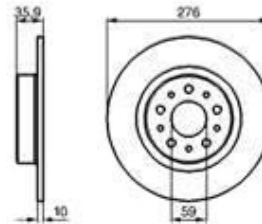
2. 610 518751
1.6/1.8/2.0 TS, 2.5 V6, 1.9/2.4 JTD
vorne/front
belüftet/ventil.



3. 610 518815
- Sport Kit/GTA
hinten/rear



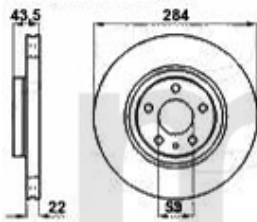
4. 610 469908
+ Sport Kit/GTA
hinten/rear



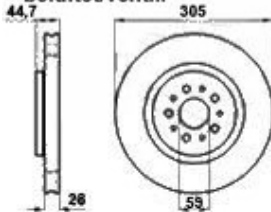
1	61001311	Bremsscheibe VA 147 1.6 16V TS 156 1.6/1.8/16V TS/1.9 JTD	On request
2	61018751	OE. 71739568 FRONT BRAKE DISK 147, 156, 164, gtv/spider (916)	SEK874.40
3	61018815	OE. 71738911 REAR BRAKE DISK 147, 156, 164	SEK825.56
4	61069908	OE. 46469908 RAER BRAKE DISC	SEK804.47

Bremsscheiben/Brakedisks 156/SW 2002>

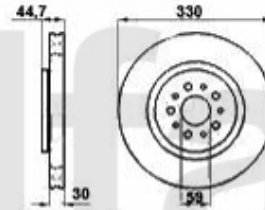
1. 610 518751
-GTA/1.9 JTD 4x4
vorne/front
belüftet/ventil.



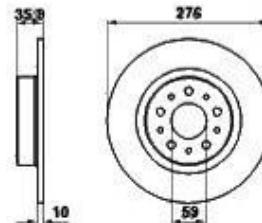
2. 610 101651
+GTA, >10.2003
vorne/front
belüftet/ventil.



3. 610 733051
+GTA, 11.2003>/1.9 JTD 4x4
vorne/front
belüftet/ventil.



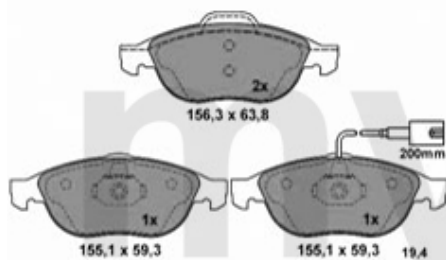
4. 610 469908
hinten/rear



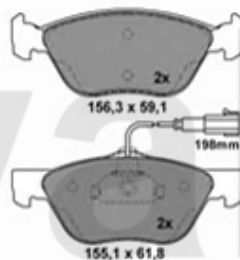
1	61018751	OE. 71739568 FRONT BRAKE DISK 147, 156, 164, gtv/spider (916)	SEK874.40
2	61001651	OE. 60652186 / 60670801 FRONT BRAKE DISC 147/156 GTA, gtv/spider 3.0/3.2 V6 24V	SEK1,017.87
3	61033051	OE.51733051 FRONT BRAKE DISC GTA 147 2003>,156 2002>	SEK1,853.84
4	61069908	OE. 46469908 RAER BRAKE DISC	SEK804.47

Bremsbeläge/Brakepads 156 >2002

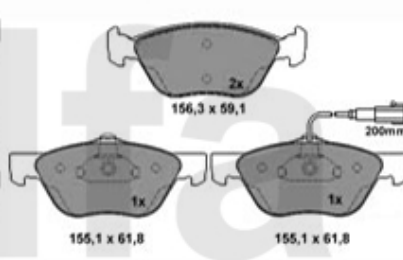
1. 23 140
vorne/front
1.6/1.8 TS, 1.9 JTD, >2000



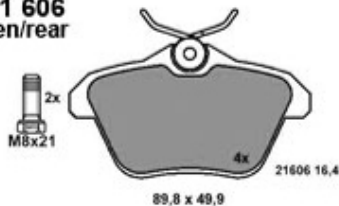
2. 21 636
vorne/front
2.0 TS, 2.5 V6, 2.4 JTD



3. 23 289
vorne/front
1.6/1.8 TS, 1.9 JTD, 2000>



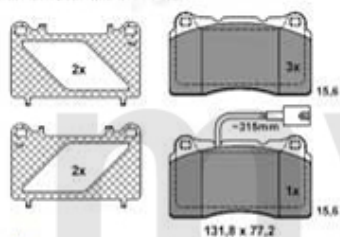
4. 21 606
hinten/rear



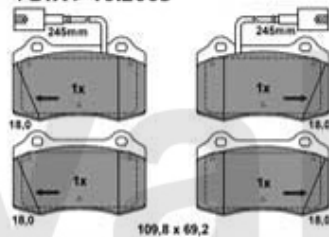
1	23119305	SBB VA mit WE 147 1.6 16V TS 156 1.6/1.8/16V TS/1.9 JTD bj. 09.97-10.00 Bremssystem: Ate	SEK746.20
2	21619305	OE. 9950637 BRAKE PAD SET	SEK786.99
3	23219305	OE. 77362229/9948845 FRONT BRAKE PADS	SEK815.02
4	21616624	OE. 71712910 REAR BRAKE PADS	SEK729.96

Bremsbeläge/Brakepads 156 2002>

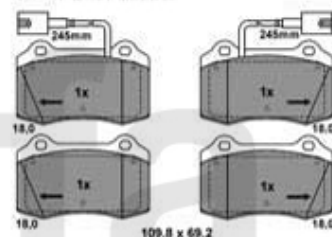
1. 23289
vorne/front
-GTA/1.9 JTD 4x4



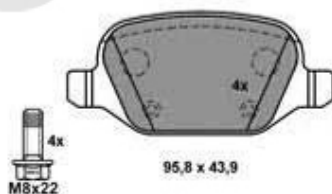
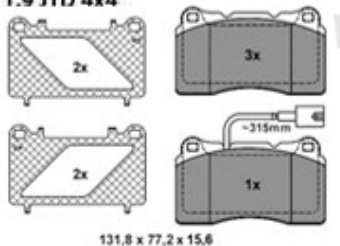
2. 62239
vorne/front
+GTA > 10.2003



3. 62692
vorne/front
+GTA 11.2003>



4. 63336
vorne/front
1.9 JTD 4x4



5. 23517
hinten/rear
- 1.9 JTD 4x4

6. 63341
hinten/rear
1.9 JTD 4x4

1	23219305	OE. 77362229/9948845 FRONT BRAKE PADS	SEK815.02
2	62239	OE. 77362239 BRAKE PAD-SET	SEK1,017.87
3	62692	OE. 77362692 BRAKE PAD-SET	SEK1,119.30
4	63336	OE. 77363336 BRAKE PAD-SET	SEK1,533.19
5	23516504	OE. 9949334 BRAKE PAD SET	SEK909.51
6	63341	OE. 77363341 BRAKE PAD-SET	SEK950.30

Bremszangen/Calipers 156 >2002



1. 661 211041
links/left
1.6/1.8 TS
1.9 JTD, >#00383456

2. 661 211042
rechts/right
1.6/1.8 TS
1.9 JTD, >#00383456



3. 661 48466
links/left
2.0 TS/2.5 V6/2.4 JTD
1.9 JTD, #00383457>

4. 661 48471
rechts/right
2.0 TS/2.5 V6/2.4 JTD
1.9 JTD, #00383457>



5. 661 47885
links/left
hinten/rear

6. 661 47896
rechts/right
hinten/rear



1	66111041	OE. 9948124 BRAKE CALIPER FL 147 1.6 TS, 156 1.6/1.8 TS	SEK2,500.97
2	66111042	OE. 9948129 BRAKE CALIPER FR 147 1.6 TS, 156 1.6/1.8 TS	SEK2,500.97
3	66148466	OE. 9948466 BRAKE CALIPER FL 147, 156, Nuovo GT TS 16V, JTD	SEK2,087.08
4	66148471	OE. 9948469 BRAKE CALIPER FR 147, 156, Nuovo GT TS 16V, JTD	SEK2,087.08
5	66147885	OE. 9947885 BRAKE CALIPER RL	SEK2,260.79
6	66147896	OE. 9947896 BRAKE CALIPER RR	SEK2,260.79

Bremszangen/Calipers 156 2002> vorne/front



1. 661 48466
links/left
-GTA

2. 661 48471
rechts/right
-GTA

3. 661 947849
links/left
+GTA, >11.2003

4. 661 947850
rechts/right
+GTA, >11.2003

5. 661 62676
links/left
+GTA, 11.2003>

6. 661 62677
rechts/right
+GTA, 11.2003>

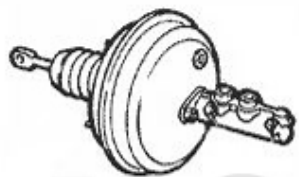
1	66148466	OE. 9948466 BRAKE CALIPER FL 147, 156, Nuovo GT TS 16V, JTD	SEK2,087.08
2	66148471	OE. 9948469 BRAKE CALIPER FR 147, 156, Nuovo GT TS 16V, JTD	SEK2,087.08
3	66147849	Frontbrake Callipper 147,156, 916 3.2 V6	On request
4	66147850	Frontbrake Callipper 147,156, 916 3.2 V6	On request
5	66162676	OE. 77362676 F.BRK.CAL.W/O PAD 147, 156 2002>, Nuovo GT	SEK7,450.60
6	66162677	OE. 77362677 F.BRK.CAL.W/O PAD 147, 156 2002>, Nuovo GT	SEK7,450.60

Bremszangen/Calipers 156 2002> hinten/rear



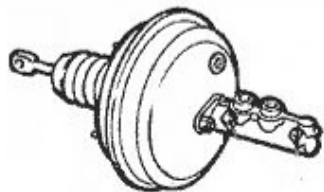
1	66148544	OE. 9951213/9948544 BRAKE CALIPPER REAR LEFT 147,156/SW EXCHANGE/SURCHARGE 50 EURO	SEK1,998.42
2	66148547	OE. 9951214/9948547 BRAKE CALIPPER REAR RIGHT 147, EXCHANGE/SURCHARGE 50 EURO	SEK1,998.42
3	66149522	OE. 9949522 BRAKE CALIPER RL 147, 156 2002>, Nuovo GT 3.2	SEK3,019.89
4	66149523	OE. 9949523 BRAKE CALIPER RR 147, 156 2002>, Nuovo GT 3.2	SEK3,019.89

BKV/Hauptbremszylinder/Brakeservo/Brake master cylinder 156 >2002



1. 671 27989
-2.5 V6 Automatic

3. 672 300



2. 671 44950
+2.5 V6 Automatic

3 672300 *Hauptbremszylinder 156*

SEK1,737.29

Hauptbremszylinder/Brake Master Cylinder 156 2002>

1. 672 9652

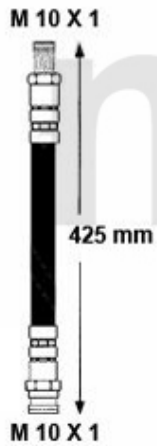


1 6729652 OE. 9949652 BRAKE MASTER CYLINDER 156 2002>

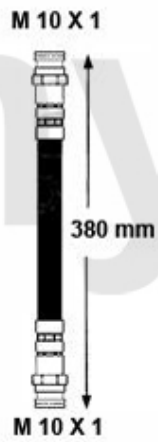
On request

Bremsschlauch/Brake Hose 156

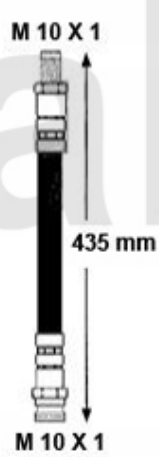
1. 676 517136
vorne/front
-GTA



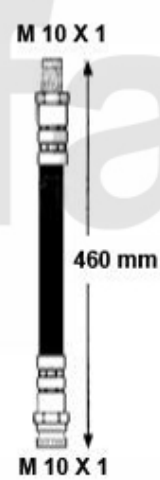
2. 676 674858
vorne/front
+GTA



3. 676 511666
hinten/rear
>2002



4. 676 700558
hinten/rear
2002>



1 67617136 OE. 7728274 BRAKE HOSE

SEK208.68

2 67674858 OE. 60674858 BRAKE HOSE fr. 147/Nuovo GT 3.2 GTA

SEK524.75

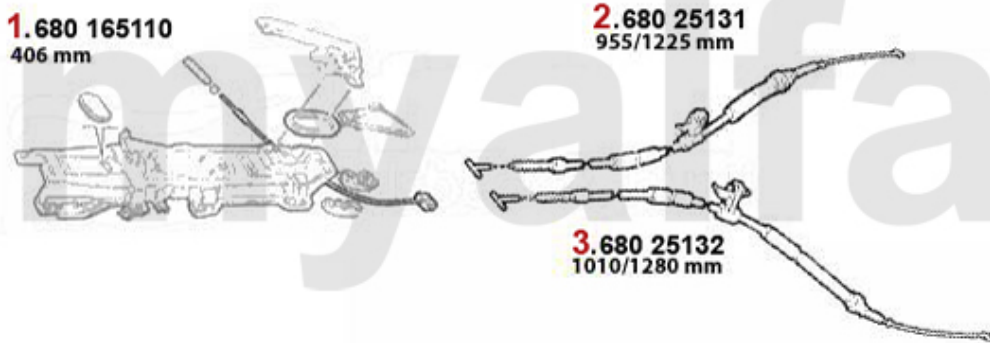
3 67611666 Bremsschlauch HA 147, 156

SEK189.53

4 67600558 OE. 51700558 REAR BRAKE HOSE 156 2002>, Nuovo GT

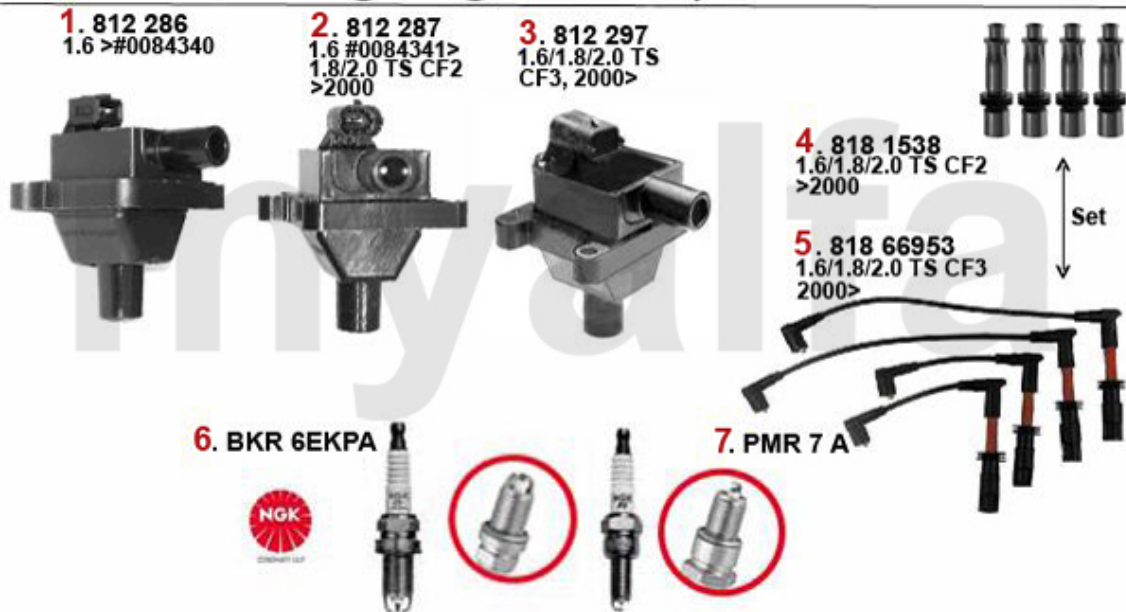
SEK377.82

Handbremsseil/Brake Cable 156/SW



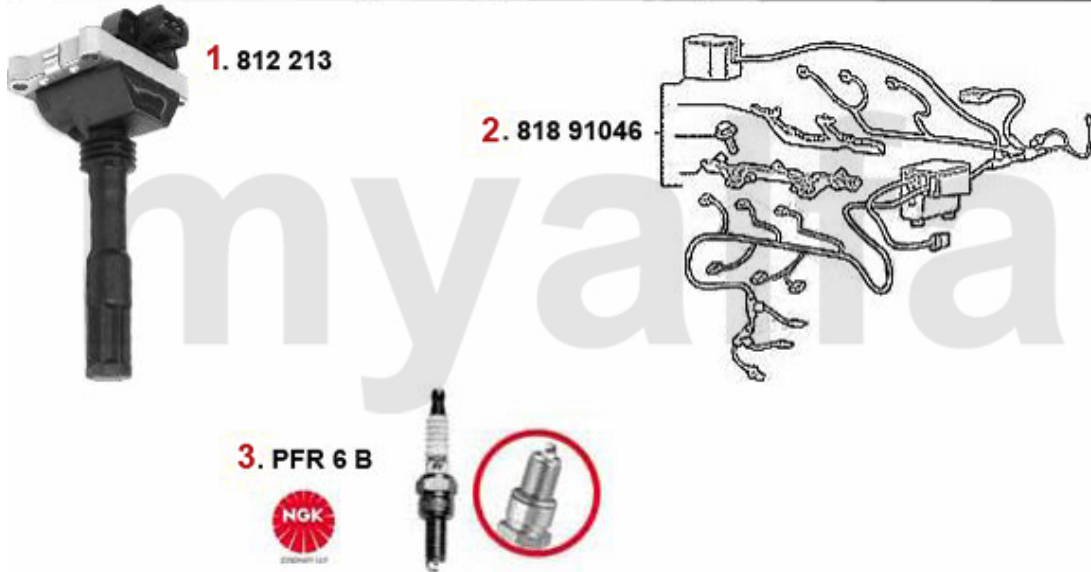
1	68065110	FRONT HAND BRAKE CABLE 145/6,147, 155, spider/gtv (916) Nuovo GT	SEK250.72
2	68025131	HANDBRAKE CABLE RIGHT 156, NUOVO GT	SEK347.43
3	68025132	HANDBRAKE CABLE LEFT 156, NUOVO GT	SEK347.43

Zündanlage/Ignitionsystem 156 TS



1	812286	IGNITION COIL 145/6,155,156, spider/gtv (916) 1.6-2.0 TS, FROM 1995 ON	SEK1,064.49
2	812287	IGNITION COIL 145/6,155,156, 166,GTV/Spider (916) 1.4-2.0 TS FROM 09.1997 ON	SEK1,037.71
3	812297	OE. 46755605 COIL	SEK1,106.53
4	8181538	IGNITION WIRE SET 145/6 1.4/1.6/1.8/2.0/ ie 16V TS Bj.1997>, 155 1.6/1.8/2.0 ie 16V TS, gtv/spider (916) 1.8	SEK2,157.01
5	81866953	IGNITION CABLE SET 147, 156, 166, gtv/ spider (916), Nuovo GT - TS 16V CF3	SEK1,853.84
6	BKR6EKPA	OE. 46521529 SPARK PLUG	SEK383.64
7	PMR7A	OE. 46521530 SPARK PLUG	SEK326.48

Zündanlage/Ignitionssystem 156 V6



1	812213	OE. 60562701 Coil	SEK1,223.08
2	81891046	IGNITION CABLE SET V6 24V CF3	On request
3	PFR6B	OE. 60579903 SPARK PLUG NGK	SEK215.76

Aggregate/Aggregats 156 TS



1	82217770	STARTER 145 1.7ie 16V/2.0 16V QV FROM 03.98>, 147 1.6/2.0 16V TS 156,GTV/SPIDER (916) 2.0	SEK2,320.32
2	82219930	OE. 55193406 STARTER MOTOR TS 16V/JTS 156 # 1287014>	SEK2,740.04
3	82140640	Lichtmaschine 145/6 1.4-2.0 ie 16V Bj. 96-01,155 1.6 16V,156 1.8 16V/2.4 JTD 10V	SEK2,524.28
4	82162660	Lichtmaschine 145/6,155,156 gtv/spi der (916) 2.0 TS	SEK3,229.68
5	82162550	GENERATOR 155 1.6/1.7/1.8 TS 16V (WITH AIR CONDITION) FROM 1996>ON	SEK2,565.07
7	82142780	OE. 46769369 GENERATOR 105 A	SEK3,708.93

Aggregate/Aggregats 156 JTS

1. 822 19930



2. 821 82219



1 82219930 OE. 55193406 STARTER MOTOR TS 16V/JTS 156 # 1287014>

SEK2,740.04

2 82182219 OE. 46782219 ALTERNATOR 2.0 TS 16V/JTS 2002>

SEK3,719.47

Aggregate/Aggregats 156 V6 24V

1. 822 15600



2. 821 41280
120A
>2000
Poly.-V6



3. 821 73305
120A
2000>
Poly.-V6



1	82215600	OE. 77274850 STARTER	SEK2,203.63
2	82141280	ALTERNATOR, 156,166 GTV/SPIDER(916) 6	SEK5,001.94
3	82173305	OE. 60673305 ALTERNATOR 3.2 V6 24V - GTA	SEK3,019.89

Aggregate/Aggregats 156 1.9 JTD 8V

1. 822 17790



2. 821 68170
100A

3. 821 69068
120A



1	82217790	OE.60814911 STARTER 145/6,147,156 TD/JTD	SEK2,786.66
2	82168170	OE. 60816045 GENERATOR 145/6 1.9 JTD 100 A	SEK3,602.78
3	82189068	OE. 46809068 ALTERNATOR 1.9 JTD 16V 147	SEK4,768.84

Aggregate/Aggregats 156 1.9 JTD 16V

1. 822 80159



2. 821 89068



1 82280159 OE. 46800159 STARTER MOTOR 1.9 JTD 16V 147

SEK2,786.66

2 82189068 OE. 46809068 ALTERNATOR 1.9 JTD 16V 147

SEK4,768.84

Aggregate/Aggregats 156 2.4 JTD 10V

1. 822 75650



2. 821 40640
90A

3. 821 40645
100A



4. 821 40980
120A



1	82275650	STARTER 156,166 2.4 JTD	SEK3,136.44
2	82140640	Lichtmaschine 145/6 1.4-2.0 ie 16V Bj. 96-01,155 1.6 16V,156 1.8 16V/ 2.4 JTD 10V	SEK2,524.28
3	82140645	GENERATOR 145/6 (WITH AIR-C.) 155/6 1.6/1.8 16V TS (WITH AIR CONDITION)	SEK3,439.61
4	82140980	Lichtmaschine 156 2.4 JTD (mit Klim a)	SEK4,414.33

Aggregate/Aggregats 156 2.4 JTD 20V

1. 822 80159



2. 821 89068
120A



1 82280159 OE. 46800159 STARTER MOTOR 1.9 JTD 16V 147

SEK2,786.66

2 82189068 OE. 46809068 ALTERNATOR 1.9 JTD 16V 147

SEK4,768.84

1 172156 FLOOR MAT SET 156 BLACK VELOUR WITH RED EMBLEM

SEK757.85

1	9822260	BATTERY CHARGER AB-4 ABSAAR	SEK553.89
2	9822250	BATTERY LIFE SAFER	SEK448.86
3	8701130	BATTERY SWITCH / MASS POLE CLAMP	SEK92.13

