

# ***ALFA 166***

***All prices including tax, delivery costs are extra***

## Table Of Content

<b>BODY</b>	<b>6</b>
MIRROR	6
LIGHTING	7
BODYPARTS	8
BUMPER/GRILLE/PANEL	9
WIND DEFLECTOR	10
WIND DEFLECTOR	10
CAR COVER	11
<b>ENGINE</b>	<b>11</b>
V-BELTS	11
2.0 TS	11
2.0 V6 Turbo	12
2.5/3.0/3.2 V6 24V	13
2.4 JTD 10V	14
2.4 JTD 20V	15
FUEL SYSTEM	16
2.0 TS	16
FUEL PUMP	16
2.0 V6 Turbo	17
FUEL PUMP	17
2.5/3.0/3.2 V6 24V	18
FUEL PUMP	18
2.4 JTD 10V	19
FUEL PUMP	19
2.4 JTD 20V	20
FUEL PUMP	20
ENGINE GASKETS	21
2.0 TS	21
GASKETS ENGINE	21
HEAD GASKET	22
FULL SET	23
HEAD SCREW SET	24
2.0 V6 Turbo	25
GASKETS ENGINE	25
Head Set	26
2.5/3.0/3.2 V6 24V	27
GASKETS ENGINE	27
HEAD SET	28
FULL SET	29
HEAD SCREW SET	30
2.4 JTD 10/20V	31
GASKETS ENGINE	31
HEAD GASKET	32
HEAD SET	33
HEAD SCREW SET	34

REINZ UNIVERSAL	35
COOLING SYSTEM	36
2.0 TS	36
RADIATOR	36
THERMOSTAT	37
WATERPUMP	38
2.0 V6 Turbo	39
RADIATOR	39
THERMOSTAT	40
WATERPUMP	41
2.5/3.0/3.2 V6 24V	42
RADIATOR	42
THERMOSTAT	43
WATERPUMP	44
2.4 JTD 10V	45
RADIATOR	45
THERMOSTAT	46
WATERPUMP	47
2.4 JTD 20V	48
RADIATOR	48
THERMOSTAT	49
WATERPUMP	50
ENGINEMOUNT	51
2.0 TS	51
2.0 V6 Turbo	52
2.5/3.0/3.2 V6 24V	53
2.4 JTD 10V	54
2.4 JTD 20V	55
VALVE GEAR	56
2.0 TS	56
CAMSHAFT	56
VALVE MECHANISM	57
TIMINGBELT	58
2.0 V6 Turbo	59
CAMSHAFT	59
VALVE MECHANISM	60
TIMINGBELT	61
2.5/3.0/3.2 V6 24V	62
CAMSHAFT	62
VALVE MECHANISM	63
TIMINGBELT	64
2.4 JTD 10V	65
CAMSHAFT	65
VALVE MECHANISM	66
TIMINGBELT	67
2.4 JTD 20V	68
CAMSHAFT	68

VALVE MECHANISM	69
TIMINGBELT	70
<b>FILTER</b>	71
2.0 TS	71
2.0 V6 Turbo	72
2.5/3.0/3.2 V6 24V	73
2.4 JTD 10/20V	74
<b>EXHAUST SYSTEM</b>	75
EXHAUST SYTEM	75
2.0 TS	75
2.0 V6 Turbo	76
2.5/3.0 V6 24V CF2	77
2.5/3.0/3.2 V6 24V CF3	78
2.4 JTD 10V	79
2.4 JTD 20V	80
LAMBDA PROBE	81
2.0 TS	81
2.0 V6 Turbo	82
2.5/3.0 V6 24V CF2	83
2.5/3.0/3.2 V6 24V CF3	84
<b>DRIVETRAIN</b>	85
DRIVESHAFT	85
2.0 TS	85
2.0 V6 Turbo	86
2.5 V6 24V	87
3.0 V6 24V	88
3.2 V6 24V	89
2.4 JTD 10V	90
2.4 JTD 20V	91
CLUTCH	92
CLUTCH SET 2.0 TS	92
GUIDE BUSH f. SLEEVE BEARING 2.0 TS	93
CLUTCH SET 2.0 V6 Turbo	94
GUIDE BUSH f. SLEEVE BEARING 2.0 V6 Tur	95
CLUTCH SET 2.5 V6 24V	96
GUIDE BUSH f. SLEEVE BEARING 2.5 V6 24V	97
CLUTCH SET 3.0 V6 24V	98
GUIDE BUSH f. SLEEVE BEARING 3.0 V6 24V	99
CLUTCH SET 3.2 V6 24V	100
GUIDE BUSH f. SLEEVE BEARING 3.2 V6 24V	101
CLUTCH SET 2.4 JTD 10V	102
GUIDE BUSH f. SLEEVE BEARING 2.4 JTD 10V	103
CLUTCH SET 2.4 JTD 20V	104
SLEEVE BEARING 2.4 JTD 20V	105
CLUTCH ACTUATION	106
2.0 TS	106
2.0 V6 Turbo	107



2.5 V6 24V	108
3.0 V6 24V	109
3.2 V6 24V	110
2.4 JTD 10V	111
2.4 JTD 20V	112
<b>SUSPENSION</b>	113
STRUT 2.0 TS	113
STRUT 2.0 V6 Turbo	114
STRUT 2.5 V6 24V	115
STRUT 3.0 V6 24V	116
STRUT 3.2 V6 24V	117
STRUT 2.4 JTD	118
ATTACHMENT FRONT	119
ATTACHMENT REAR	120
WHEEL BEARING	121
<b>STEERING</b>	122
STEERING PARTS	122
<b>BRAKE</b>	123
BRAKE DISCS	123
BRAKE PADS	124
CALIPER	125
BRAKE SERVO/BRAKE MASTER CYL.	126
BRAKE HOSES	127
BRAKE CABLE	128
<b>ELECTRIC</b>	129
ENGINE ELECTRIC	129
IGNITION SYSTEM 2.0 TS	129
IGNITION SYSTEM V6 Turbo	130
IGNITION SYSTEM V6 24V	131
STARTER/ALTERNATOR 2.0 TS	132
STARTER/ALTERNATOR V6 Turbo	133
STARTER/ALTERNATOR V6 24V	134
STARTER/ALTERNATOR 2.4 JTD 20V	135
STARTER/ALTERNATOR 2.4 JTD 20V	136
<b>INTERIOR</b>	137
FOOT MAT	137
<b>MISCELLANEOUS</b>	138
BATTERY CHARGERS	138
FOOT MAT	139
FENDER PROTECTOR	140

# Außenspiegel/Mirror 166



**1. 140 25802**  
links/left  
mit Temperatur Sensor/  
w. temp.-sensor

**2. 140 25841**  
rechts/right



**3. 141 79358**  
links/left



**4. 141 79357**  
rechts/right

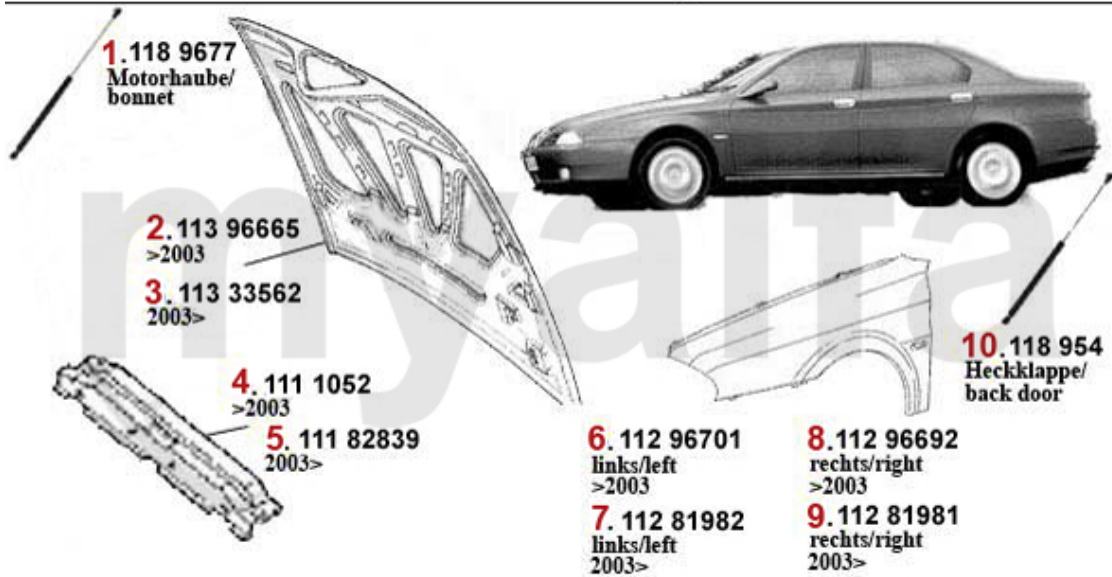
<b>1</b>	<b>14025802</b>	<b>Außenspiegel links 166 elektrisch b eheizt,klappbar,blaues Glas,konvex, mit Sensor</b>	<b>On request</b>
<b>2</b>	<b>14025841</b>	<b>REARVIEW MIRROR RIGHT 166, HEATED, HINGED, BLUE GLASS, CONVEX</b>	<b>SEK3,602.78</b>
<b>3</b>	<b>14179358</b>	<b>Ersatzglas f. Außenspiegel 166 links</b>	<b>On request</b>
<b>4</b>	<b>14179357</b>	<b>Ersatzglas f. Außenspiegel 166 rechts</b>	<b>On request</b>

# Beleuchtung/Lighting 166



<b>1</b>	<b>15197295</b>	<b>OE.60597295 LEFT HEADLIGHT 166</b>	<b>On request</b>
<b>2</b>	<b>15197294</b>	<b>OE.60597294 RIGHT HEADLIGHT 166</b>	<b>SEK3,486.23</b>
<b>3</b>	<b>15158066</b>	<b>OE. 60670887 XENON HEADLAMP LEFT 166</b>	<b>On request</b>
<b>4</b>	<b>15156169</b>	<b>OE. 60670886 XENON HEADLAMP 166</b>	<b>On request</b>
<b>5</b>	<b>15195988</b>	<b>OE. 60659588 HEADLIGHT</b>	<b>On request</b>
<b>6</b>	<b>15195986</b>	<b>Xenon Hauptscheinwerfer 166 rechts Bj. 03&gt; (Facelift)</b>	<b>On request</b>
<b>7</b>	<b>15279084</b>	<b>OE. 60679084 FOG LIGHT</b>	<b>On request</b>
<b>8</b>	<b>15279083</b>	<b>OE. 60679083 FOG LAMP</b>	<b>SEK987.62</b>
<b>9</b>	<b>15246913</b>	<b>OE. 51746913 FOG LAMP 166 round version</b>	<b>SEK961.95</b>
<b>10</b>	<b>15597300</b>	<b>ADDITIONAL INDICATOR LEFT SIDE 166</b>	<b>On request</b>
<b>11</b>	<b>15597299</b>	<b>ADDITIDIONAL INDICATOR RIGHT SIDE 166</b>	<b>SEK313.71</b>
<b>12</b>	<b>1568006</b>	<b>OE. 46408006 NUMBER PLATE LAMP</b>	<b>SEK231.99</b>
<b>13</b>	<b>15397302</b>	<b>OE. 60597302 TAIL LAMP 166</b>	<b>On request</b>
<b>14</b>	<b>15397301</b>	<b>OE. 60597301 TAIL LAMP 166</b>	<b>On request</b>
<b>15</b>	<b>1539911</b>	<b>Rückleuchte links 166 (innen)</b>	<b>On request</b>
<b>16</b>	<b>1539910</b>	<b>Rückleuchte rechts 166 (innen)</b>	<b>On request</b>
<b>17</b>	<b>15397343</b>	<b>Rückstrahler links 166 (Stoßfänger)</b>	<b>On request</b>
<b>18</b>	<b>15397342</b>	<b>Rückstrahler rechts 166 (Stoßfänger )</b>	<b>SEK145.69</b>

# Karosserieteile/Body Parts 166



<b>1</b>	<b>1189677</b>	<b>OE. 60658924 GAS SPRING</b>	<b>SEK489.65</b>
<b>2</b>	<b>11396665</b>	<b>Motorhaube 166</b>	<b>SEK3,457.10</b>
<b>3</b>	<b>11333562</b>	<b>OE. 71733562 HOOD BONNET 166</b>	<b>SEK4,185.81</b>
<b>5</b>	<b>11182839</b>	<b>OE. 60682839 CROSSRAIL 166</b>	<b>SEK689.03</b>
<b>6</b>	<b>11296701</b>	<b>Kotflügel vorne links 166 Standard</b>	<b>On request</b>
<b>7</b>	<b>11281982</b>	<b>FRONT FENDER LEFT 166/PROGRESSION/DISTINCTIVE</b>	<b>On request</b>
<b>8</b>	<b>11296692</b>	<b>Kotflügel vorne rechts 166 Standard</b>	<b>On request</b>
<b>9</b>	<b>11281981</b>	<b>FRONT FENDER RIGHT 166/PROGRESSION/DISTINCTIVE</b>	<b>On request</b>
<b>10</b>	<b>118954</b>	<b>Gasfeder Heckklappe 166</b>	<b>SEK348.68</b>

# Stoßstangen/Bumpers 166



4	13252284	OE. 60652284 COVER	On request
5	1329365	OE. 60609365 RADIOTOR GRILLE	SEK257.66
6	13220746	Kühlergrill links 166	SEK269.31
7	13220745	Kühlergrill rechts 166	SEK269.31
8	13752344	OE. 60652344 FRONT GRILLE 166	On request
9	1360330	BADGE 75 mm ALFA ROMEO	SEK430.82
10	13249500	Kühlergrill (Alfaherz) mitte 166 (F acelift)	SEK1,316.32
11	13249518	LEFT FRONT GRILLE 166 (FACELIFT)	SEK511.85
12	13249517	RIGHT FRONT GRILLE 166 (FACELIFT)	SEK511.85
13	13651011	OE. 156051011 EMBLEM	On request
14	13124388	Stossfänger 166 hinten	On request
15	13149357	OE. 156049357 REAR BUMPER 166 2003>	SEK4,420.16

# Seitenwindabweiser/Side Draftdeflector 166



**1 1902025 SET FRONT WIND ABSORBERS 166**

*On request*

# Keilriemen/V-Belt 166 2.0 TS

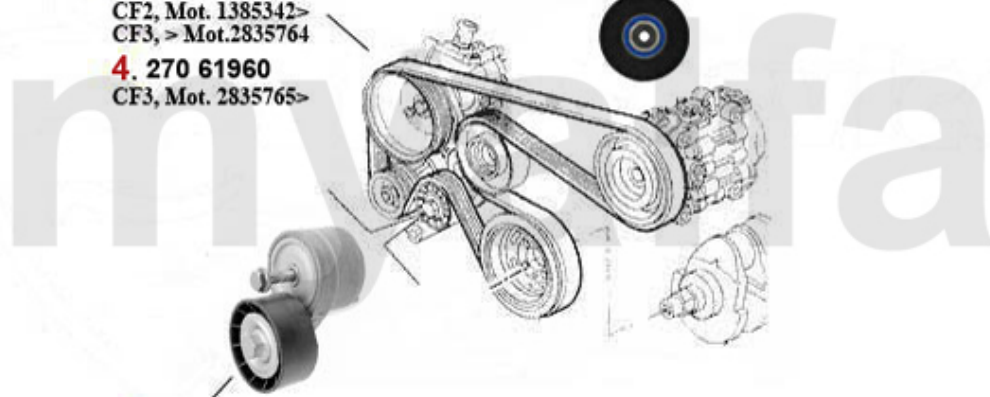
**2. 270 71952**  
CF2, > Mot.1385341

**3. 270 61975**  
CF2, Mot. 1385342>  
CF3, > Mot.2835764

**4. 270 61960**  
CF3, Mot. 2835765>

**1. 242 55848**

**5. 271 55863**

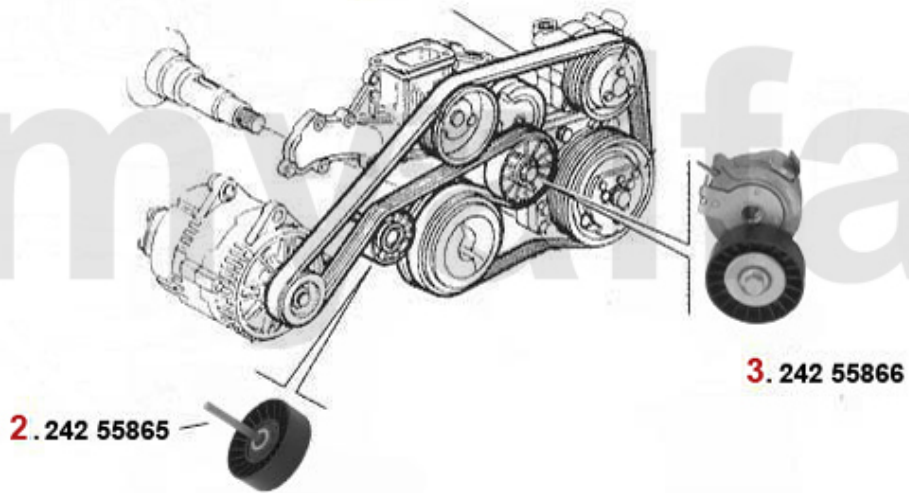


<b>1</b>	<b>24255848</b>	<b>OE. 60602136 IDLE PULLEY</b>	<b>SEK578.31</b>
<b>2</b>	<b>27071952</b>	<b>OE. 60617859/60652358 V-BELT</b>	<b>SEK626.18</b>
<b>3</b>	<b>27061975</b>	<b>OE: 71753673 BELT</b>	<b>SEK329.95</b>
<b>4</b>	<b>27061960</b>	<b>OE. 60653030 V-BELT</b>	<b>SEK477.99</b>
<b>5</b>	<b>27155863</b>	<b>OE. 60814110 TENSIONER</b>	<b>SEK577.20</b>



# Keilriemen/V-Belt 166 2.0 V6 Turbo

1. 270 61995

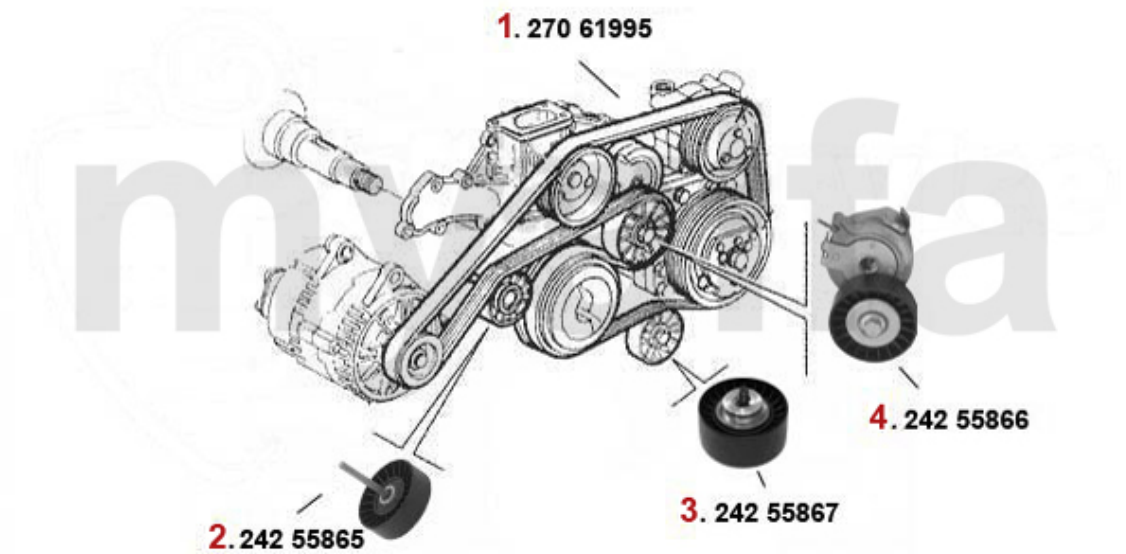


- 1 27061995 OE. 60626658 V-BELT
- 2 24255865 OE. 55190054 IDLE PULLEY
- 3 24255866 OE. 55190053 TENSIONER

SEK410.42  
SEK687.92  
SEK1,499.47



# Keilriemen/V-Belt 166 V6 24V



<b>1</b>	<b>27061995</b>	<b>OE. 60626658 V-BELT</b>	<b>SEK410.42</b>
<b>2</b>	<b>24255865</b>	<b>OE. 55190054 IDLE PULLEY</b>	<b>SEK687.92</b>
<b>3</b>	<b>24255867</b>	<b>OE. 55190052 IDLE PULLEY</b>	<b>SEK559.72</b>
<b>4</b>	<b>24255866</b>	<b>OE. 55190053 TENSIONER</b>	<b>SEK1,499.47</b>

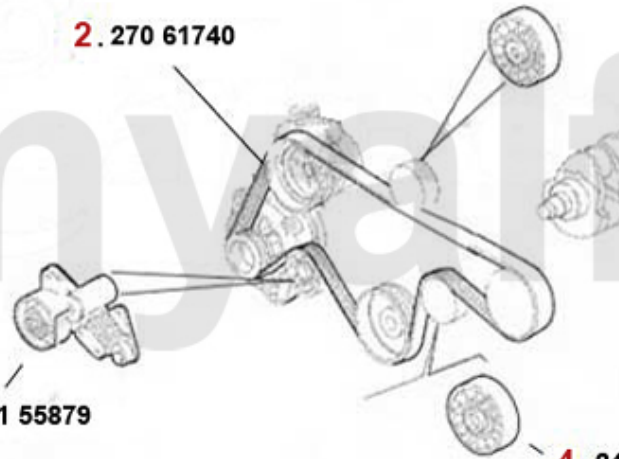
# Keilriemen/V-Belt 166 2.4 JTD 10V

1. 242 55868

2. 270 61740

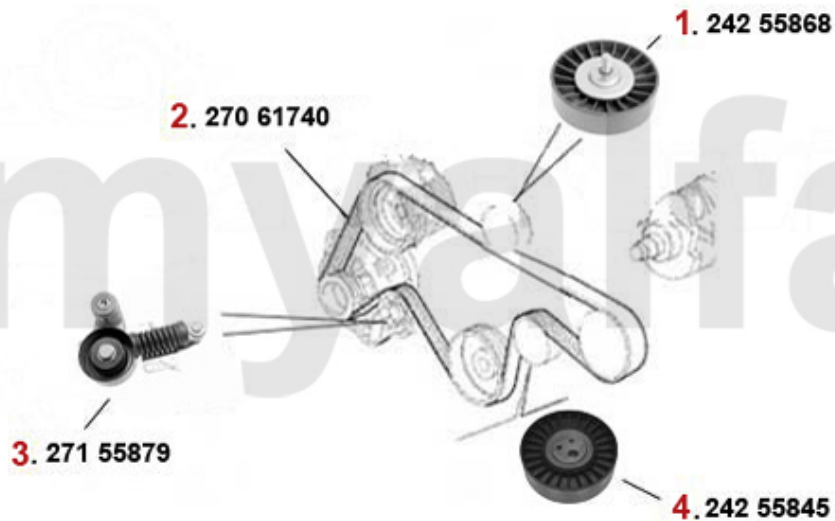
3. 271 55879

4. 242 55845



1	24255868	Umlenkrolle Keilrippenriemen 156/ 166 2.4 JTD (mit Klima)	SEK467.59
2	27061740	Keilrippenriemen 6PK1740 166 2.4JTD Generator/Servopumpe/Klimakompresso r	SEK370.74
3	27155879	OE. 55184761 TENSIONER	SEK2,021.73
4	24255845	Umlenkrolle f. Keilrippenriemen 166 2.4 JTD	SEK978.19

# Keilriemen/V-Belt 166 2.4 JTD 20V



<b>1</b>	<b>24255868</b>	<b>Umlenkrolle Keilrippenriemen 156/ 166 2.4 JTD (mit Klima)</b>	<b>SEK467.59</b>
<b>2</b>	<b>27061740</b>	<b>Keilrippenriemen 6PK1740 166 2.4JTD Generator/Servopumpe/Klimakompresso r</b>	<b>SEK370.74</b>
<b>3</b>	<b>27155879</b>	<b>OE. 55184761 TENSIONER</b>	<b>SEK2,021.73</b>
<b>4</b>	<b>24255845</b>	<b>Umlenkrolle f. Keilrippenriemen 166 2.4 JTD</b>	<b>SEK978.19</b>

# Kraftstoffpumpe/Fuel Pump 166 2.0 TS



**1.** 253 6552  
CF 2

**2.** 253 6511  
CF 3

**1** 2536552 OE. 60670832 FUEL PUMP 166 2.0 TS/V6 24V CF2

*On request*

**2** 2536511 OE. 60682369 FUEL PUMP 166 2.0 TS/V6 24V CF3

*On request*

# Kraftstoffpumpe/Fuel Pump 166 2.0 V6 Turbo



1. 253 6553

**1** 2536553 OE. 60670833 FUEL PUMP 166 2.0 V6 Turbo

*On request*

# Kraftstoffpumpe/Fuel Pump 166 V6 24V



**1** 2536552 OE. 60670832 FUEL PUMP 166 2.0 TS/V6 24V CF2

*On request*

**2** 2536511 OE. 60682369 FUEL PUMP 166 2.0 TS/V6 24V CF3

*On request*

# Kraftstoffpumpe/Fuel Pump 166 2.4 JTD 10V



**1.** 253 6592  
CF2

**2.** 253 6500  
CF3

<b>1</b>	<b>2536592</b>	<b>OE. 60670834 FUEL PUMP 166 2.4 JTD CF2</b>
<b>2</b>	<b>2536500</b>	<b>OE. 60678456 FUEL PUMP 166 2.4 JTD CF3</b>

**SEK2,572.15**

**SEK2,763.35**

# Kraftstoffpumpe/Fuel Pump 166 2.4 JTD 20V



**1.** 253 6592  
CF2

**2.** 253 6500  
CF3

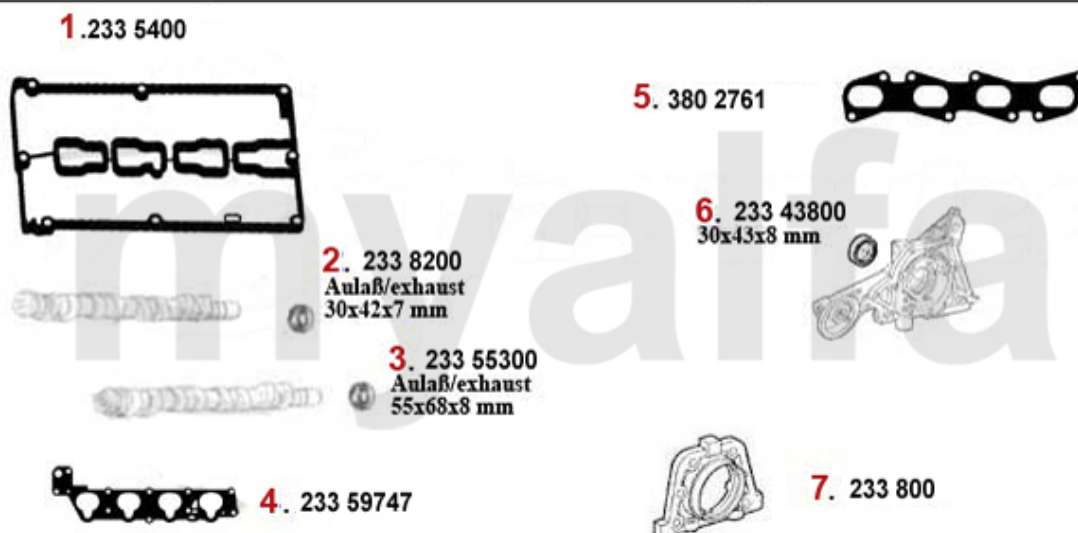
<b>1</b>	<b>2536592</b>	<b>OE. 60670834 FUEL PUMP 166 2.4 JTD CF2</b>
<b>2</b>	<b>2536500</b>	<b>OE. 60678456 FUEL PUMP 166 2.4 JTD CF3</b>

**SEK2,572.15**

**SEK2,763.35**

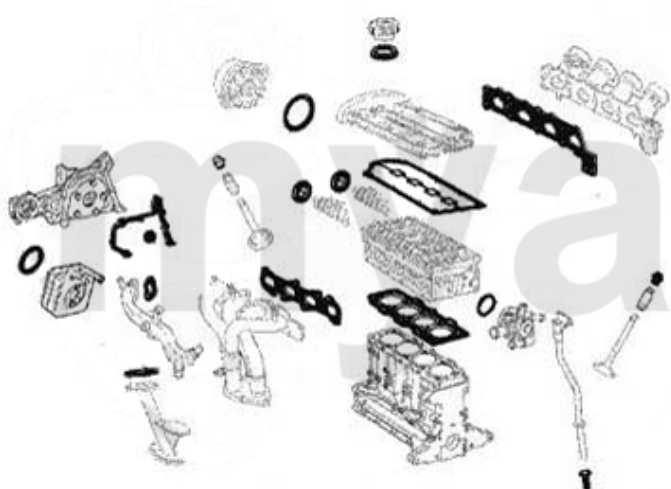


# Dichtungen Motor/Gaskets Engine 166 2.0 TS



<b>1</b>	<b>2335400</b>	<b>VALVE COVER GASKET FOR PLASTIC_ VALVE COVER</b> 145/6,156,gtv/Spider (916) FROM 04.98 ON	<b>SEK416.25</b>
<b>2</b>	<b>2338200</b>	<b>OE. 71753052 SEALING GASKET</b>	<b>SEK204.10</b>
<b>3</b>	<b>23355300</b>	<b>SHAFT SEAL CAMSHAFT 145/6,15 5,156 1.6,1.7,1.8,2.0 16V TS</b>	<b>SEK208.68</b>
<b>4</b>	<b>23359747</b>	<b>Ansaugkrümmerdichtung 145/6,147,155 156,166,gtv/spider</b> (916),Nuovo GT # 0165088> TS 16V	<b>SEK293.87</b>
<b>5</b>	<b>3802761</b>	<b>OE. 55194028 HEATERGASKET</b>	<b>SEK285.69</b>
<b>6</b>	<b>23343800</b>	<b>OILSEAL OE:40005010</b>	<b>SEK145.69</b>
<b>7</b>	<b>233800</b>	<b>Simmerring Kurbelwelle hinten (Schwungscheibe) 147 1.6 TS 16V/1.9</b> JTD Bj. 03 >,156 1.9/2.4	<b>On request</b>

# Kopfdichtsatz/Head Set 166 2.0 TS



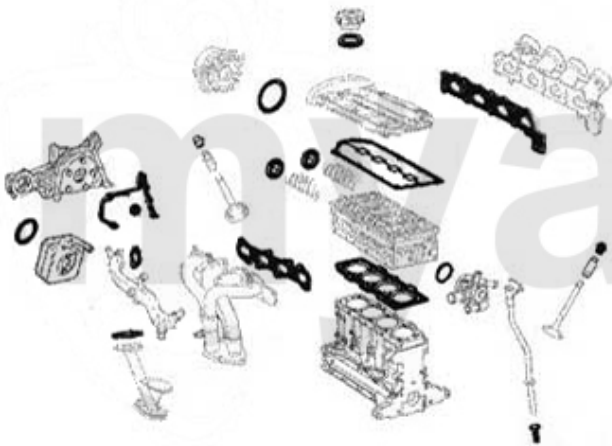
1. 232 60800  
CF2

2. 232 87600  
CF3 >#2557364

3. 232 90500  
CF3 #2557365>

1	23260800	Kopfdichtsatz 145/6,156,gtv/spider (916) 2.0 16V TS Bj. 97-01 Kunststoff-Ventildeckel	On request
2	23287600	Kopfdichtsatz 166 2.0 TS CF3 110 KW > #2557364	SEK1,543.73
3	23290500	Kopfdichtsatz 166 2.0 TS CF3 110 KW #2557365 >	SEK1,720.92

# Motordichtsatz/Full Set 166 2.0 TS



1. 231 74000  
CF2

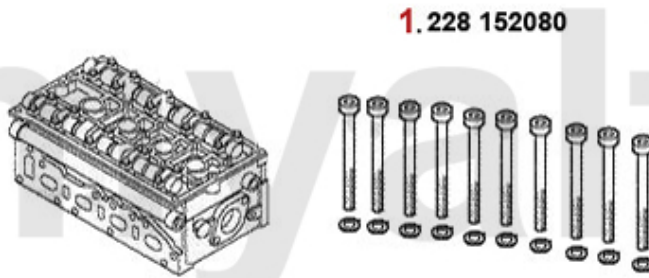
2. 231 3100  
CF3 >#2557364

3. 231 6600  
CF3 #2557365>

1	23174000	Motordichtsatz 145/6,156,gtv/spider (916) 2.0 16V TS, Bj. 97> Kunststoff-Ventildeckel	SEK1,782.80
2	2313100	OE. 71717687 FULL SET	SEK2,786.66
3	2316600	Motordichtsatz 166 2.0 TS CF3 110KW #2557365 >	SEK1,902.82

# Kopfschraubensatz/Head Screw Set 166 2.0 TS

---



**1 22852080 OE. 7710582 HEAD SCREW SET**

**SEK804.47**

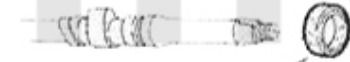
# Dichtungen Motor/Gaskets Engine 166 2.0 V6 Turbo



**1. 233 24800**  
Ventildeckedichtsatz/  
Valve Cover Gasket Set  
rechts/right



**2. 233 24900**  
Ventildeckedichtsatz/  
Valve Cover Gasket Set  
links/left



**3. 233 45700 x2**  
32x50x8 mm



**4. 233 76200 x2**

**5. 380 14800 x6**



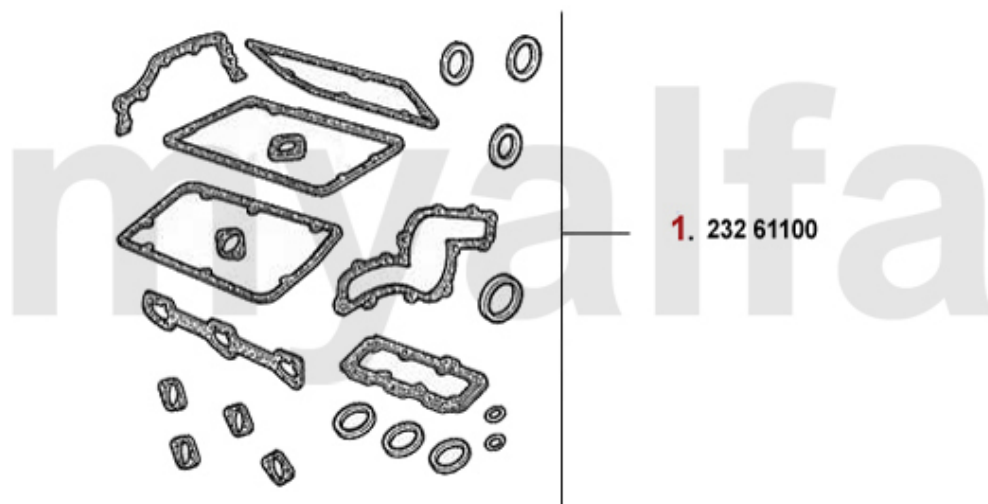
**6. 233 62800**  
48x65x8 mm



**7. 233 060 0**  
84x105x12 mm

<b>1</b>	<b>23324800</b>	<b>OE. 60512948 VALVE COVER GASKET SET</b>	<b>SEK500.19</b>
<b>2</b>	<b>23324900</b>	<b>OE. 60512949 VALVE COVER GASKET SET</b>	<b>SEK500.19</b>
<b>3</b>	<b>23345700</b>	<b>OE.60570617 OIL SEAL CAMSHAFT</b>	<b>SEK231.99</b>
<b>4</b>	<b>23376200</b>	<b>INTAKE MANIFOLD GASKET 155, 164/SUPER ,166,GTV/SPIDER V6 12V</b>	<b>SEK193.56</b>
<b>5</b>	<b>38014800</b>	<b>OE. 60563670/60630269 EXHAUST MANIFOLD GASKET 6,75,90,155 , 164/Super,RZ/SZ 6-CYLINDER</b>	<b>SEK75.76</b>
<b>6</b>	<b>23362800</b>	<b>OE. 60601977 CRANKSHAFT SEALS</b>	<b>SEK192.45</b>
<b>8</b>	<b>23307294</b>	<b>OE. 60507294 RUBBER RING f. SPARK PLUG SHAFT V6/12V</b>	<b>SEK68.82</b>

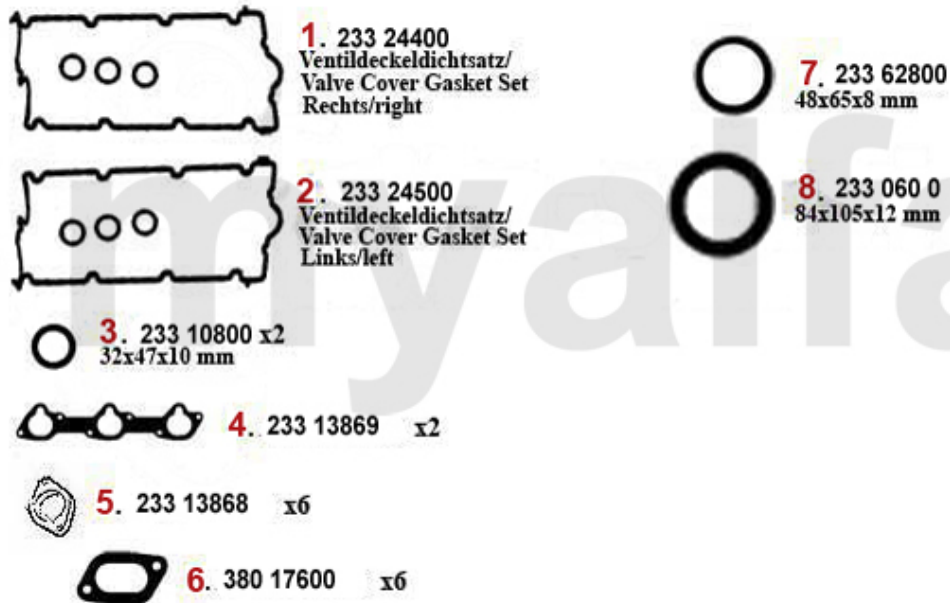
# Kopfdichsatz/Head Set 166 2.0 V6 Turbo



**1 23261100 HEAD GASKET SET 166 2.0 V6 TURBO >1998**

**SEK2,903.21**

# Dichtungen Motor/Gaskets Engine 166 V6 24V



1	23324400	O.E. 60609978 VALVE COVER GASKET SET	SEK531.69
2	23324500	O.E. 60609979 VALVE COVER GASKET SET	SEK531.69
3	23310800	Seal for Camshaft #606 10 985/561 03 085	SEK145.69
4	23313869	INTAKE MANIFOLD GASKET 147, 156,164/SUPER,166,GTV/SPIDER (916),NUOVO GT V6 24V	SEK83.39
5	23313868	OE. 60513868 Sealing Gasket	SEK68.82
6	38017600	OE. 60573536 / 60810625 EXHAUST MANIFOLD GASKET	SEK115.44
7	23362800	OE. 60601977 CRANKSHAFT SEALS	SEK192.45
8	2330600	OIL SEAL CRANK SHAFT REAR 84/105/12 SPIDER IE 1990-93 ORIGINAL QUALITY	SEK406.95

# Kopfdichtsatz/Head Set 166 V6 24V



**1.** 232 60900  
2.5 V6 24V

**2.** 232 61000  
3.0/3.2 V6 24V

**1** 23260900 OE. 71712434 HEAD SET 24V

**SEK2,623.49**

**2** 23261000 HEAD GASKET SET 147,156,166,GTV/Spider (916), NUOVO GT V6 24V/  
GTA

**SEK3,381.34**



# Motordichtsatz/Full Set 166 V6 24V



**1.** 231 74100  
2.5 V6 24V

**2.** 231 74200  
3.0/3.2 V6 24V

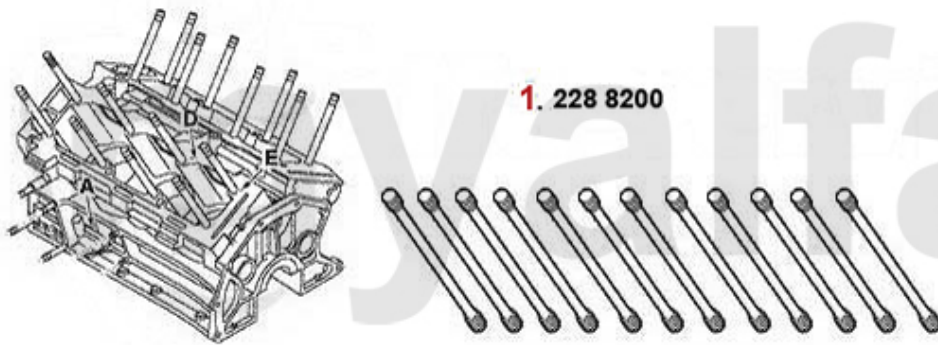
**1** 23174100 *Motordichtsatz 156,166 2.5 V6 24V*

**SEK3,015.18**

**2** 23174200 *Motordichtsatz 147,156,166,gtv/spid er (916),Nuovo GT V6 24V/GTA*

**SEK5,001.94**

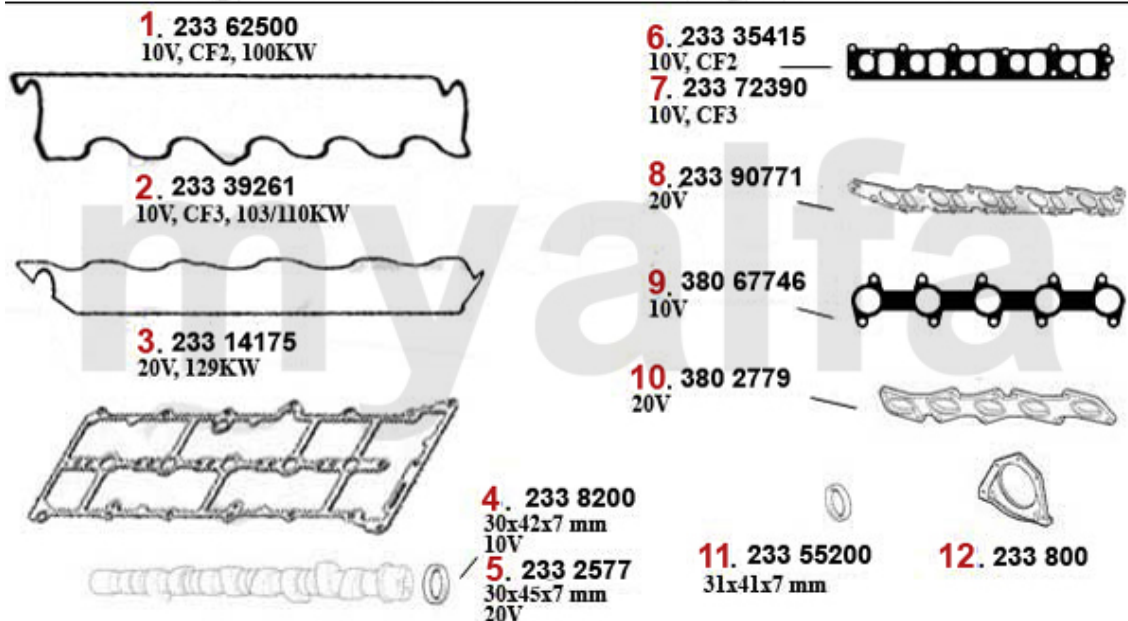
# Kopfschraubensatz/Head Screw Set 166 V6 24V



**1 2288200** Stud-Set Cylinder Head # 605 13 756

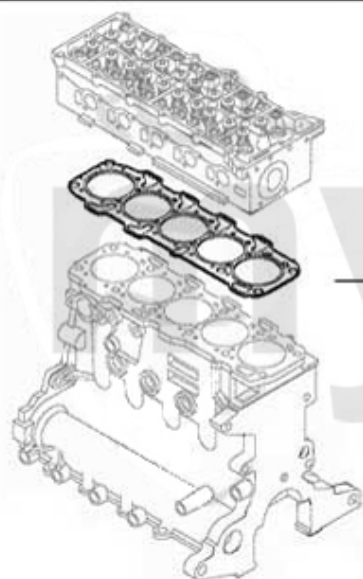
**SEK1,365.30**

# Dichtungen Motor/Gaskets Engine 166 2.4 JTD



1	23362500	VALVE COVER GASKET 156,166 2.4 JTD CF 2 FROM 09.1997 UP TO 10.2000	On request
2	23339261	OE. 46739261/60816566 Gasket	On request
3	23314175	OE. 46814175 Gasket	On request
4	2338200	OE. 71753052 SEALING GASKET	SEK204.10
5	2332577	Simmerring Nockenwelle 147, 156,166,Nuovo GT 1.9/2.4 JTD 16V/20V	SEK77.01
6	23335415	OE. 60814987/7735415 Gasket	SEK208.68
7	23372390	Ansaugkrümmerdichtung 156,166 2.4 JTD CF 3 10V	SEK274.03
8	23390771	OE. 55190771 Gasket	SEK235.46
9	38067746	OE. 60813631/46414437/46467746	SEK219.23
10	3802779	OE. 73502779 Gasket	SEK453.57
11	23355200	Simmerring Kurbelwelle vorne (Riemensch.)145/6,155,156,166,gtv/spider(916) 1.4,1.6,1.7ie	SEK121.27
12	233800	Simmerring Kurbelwelle hinten (Schwungscheibe) 147 1.6 TS 16V/1.9 JTD Bj. 03 >,156 1.9/2.4	On request

# Kopfdichtung/Headgasket 166 2.4 JTD



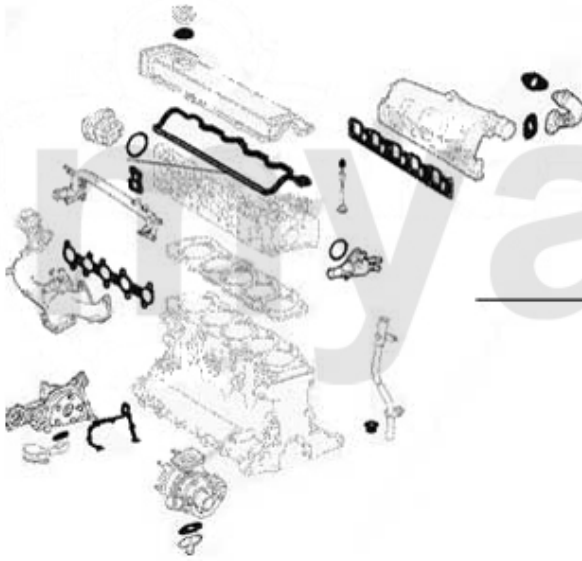
## Achtung/Attention:

Beim Bestellen der Kopfdichtung bitte auf die entsprechende Markierung achten!  
Before you order the headgasket, please note the marking!

- |  |  |
|--|--|
| <b>1.</b> 233 20200<br>10V, CF2, 1.60 mm | <b>4.</b> 233 37200<br>10V, CF3, 0,82 mm |
| <b>2.</b> 233 20210<br>10V, CF2, 1.70 mm | <b>5.</b> 233 37210<br>10V, CF3, 0,92 mm |
| <b>3.</b> 233 20220<br>10V, CF2, 1.80 mm | <b>6.</b> 233 37220<br>10V, CF3, 1,02 mm |
|  | <b>7.</b> 233 90353<br>20V, 0,82 mm      |
|  | <b>8.</b> 233 90354<br>20V, 0,92 mm      |
|  | <b>9.</b> 233 90355<br>20V, 1,02 mm      |

<b>1</b>	<b>23320200</b>	<b>Kopfdichtung 156,166 2.4 JTD Bj. 97-00 Dicke: 1.60 mm 0 Kerben</b>	<b>SEK728.72</b>
<b>2</b>	<b>23320210</b>	<b>Kopfdichtung 156,166 2.4 JTD Bj. 97-00 Dicke: 1.70 mm 1 Kerbe</b>	<b>SEK728.72</b>
<b>3</b>	<b>23320220</b>	<b>Kopfdichtung 156,166 2.4 JTD Bj. 97-00 Dicke: 1.80 mm 2 Kerben</b>	<b>SEK728.72</b>
<b>4</b>	<b>23337200</b>	<b>HEAD GASKET 156,166 2.4 JTD CF3 103/110 KW</b>	<b>SEK1,270.95</b>
<b>5</b>	<b>23337210</b>	<b>Kopfdichtung 156,166 2.4 JTD CF3 103/110 KW ACHTUNG: auf Markierung achten 1 Kerbe</b>	<b>SEK825.56</b>
<b>6</b>	<b>23337220</b>	<b>HEAD GASKET 156,166 2.4 JTD CF3 103/110 KW IMPORTANT : WATCH MARKING - 2 NOTCHES</b>	<b>SEK901.88</b>
<b>7</b>	<b>23390353</b>	<b>Kopfdichtung 156,166 2.4 JTD 129 KW ACHTUNG: auf Markierung achten 0 Kerben</b>	<b>SEK658.79</b>
<b>8</b>	<b>23390354</b>	<b>Kopfdichtung 156,166 2.4 JTD 129 KW ACHTUNG: auf Markierung achten 1 Kerbe</b>	<b>SEK1,001.50</b>
<b>9</b>	<b>23390355</b>	<b>Kopfdichtung 156,166 2.4 JTD 129 KW ACHTUNG: auf Markierung achten 2 Kerben</b>	<b>SEK658.79</b>

# Kopfdichtsatz/Headset 166 2.4 JTD



## **Achtung/Attention:**

Ohne Kopfdichtung, Kopfdichtung  
bitte separat bestellen!  
Without Headgasket, please order it  
separate!

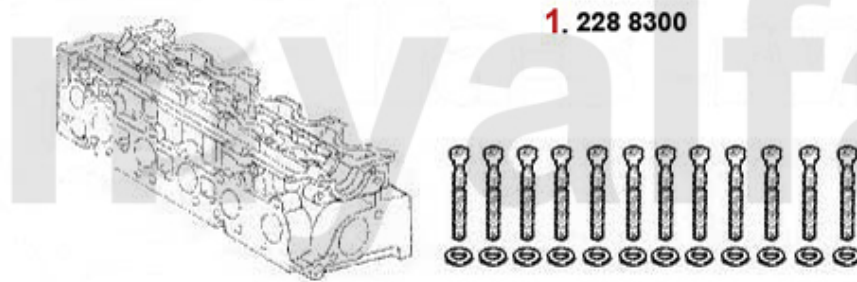
**1.** 232 10500  
10V, CF2

**2.** 232 14300  
10V, CF3

**3.** 232 34259  
20V

<b>1</b>	<b>23210500</b>	<b>OE.60814969 HEAD GASKET SET 156,166 2.4 JTD 1997-2001 W/O CYLINDER HEAD GASKET SET</b>	<b>SEK886.20</b>
<b>2</b>	<b>23214300</b>	<b>GASKET SET (WITHOUT CYLINDER HEAD GASKET) 156 166 2.4 JTD CF3 103/110 KW</b>	<b>SEK1,392.77</b>
<b>3</b>	<b>23234259</b>	<b>Kopfdichtsatz (ohne ZKD) 156 166 2.4 JTD CF3 129KW</b>	<b>SEK1,282.61</b>

# Kopfschraubensatz/Head Screw Set 166 2.4 JTD



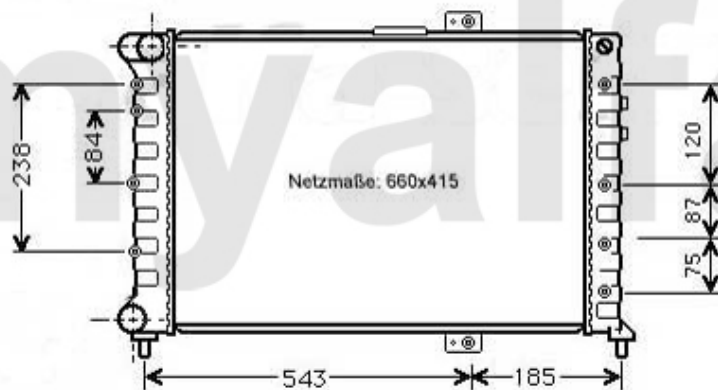
**1 2288300** *Kopfschraubensatz 156,166 2.4 JTD*

**SEK706.52**



# Kühler/Radiator 166 2.0 TS

1. 261 32505



1 26132505 OE. 60627910 RADIATOR

SEK3,369.68



# Thermostat 166 2.0 TS

---

1. 263 657588



1 26357588 Thermostat 166 2.0 TS 16V Gehäuse thermostat

SEK543.35

# Wasserpumpe/Waterpump 166 2.0 TS

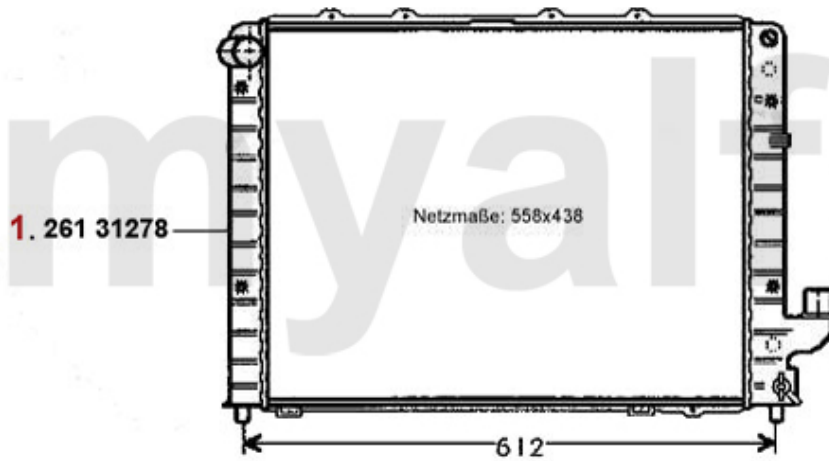
---



**1 262310**    **OE. 60586222 WATERPUMP TS 16V**

**SEK869.82**

# Kühler/Radiator 166 2.0 V6 Turbo



1 26131278 Motorkühler 166 2.0 V6 Turbo, 2.4 JTD 10V/20V

SEK4,104.23

# Termostat 166 2.0 V6 Turbo

---

**1. 263 657187**



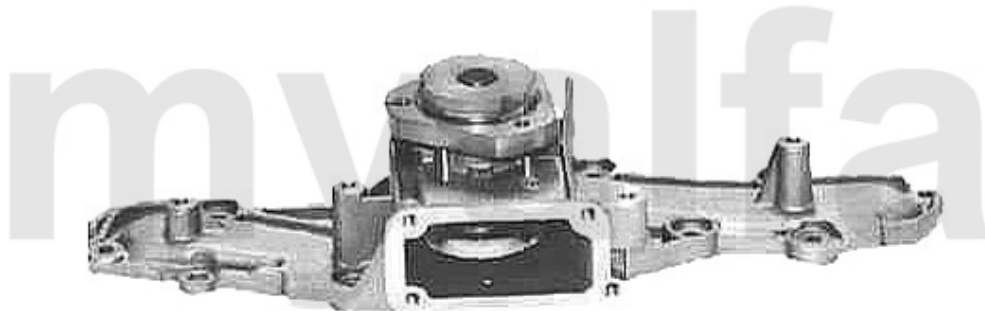
**1 26357187 OE. 60563989 THERMOTAT**

**SEK879.12**

# Wasserpumpe/Waterpump 166 2.0 V6 Turbo

---

**1. 262 81355**

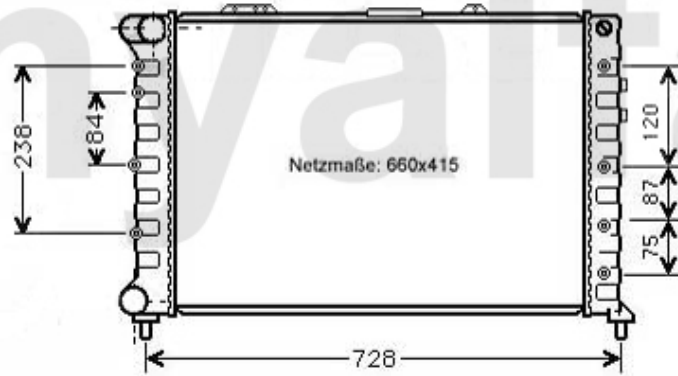


**1 26281355 OE. 60816018 WATERPUMP V6 24V**

**SEK1,842.18**

# Kühler/Radiator 166 V6 24V

1. 261 32696



1 26132696 OE. 60690408 RADIATOR 166 V6

SEK4,484.26

# Thermostat 166 V6 24V

---

**1.** 263 58913  
CF 2

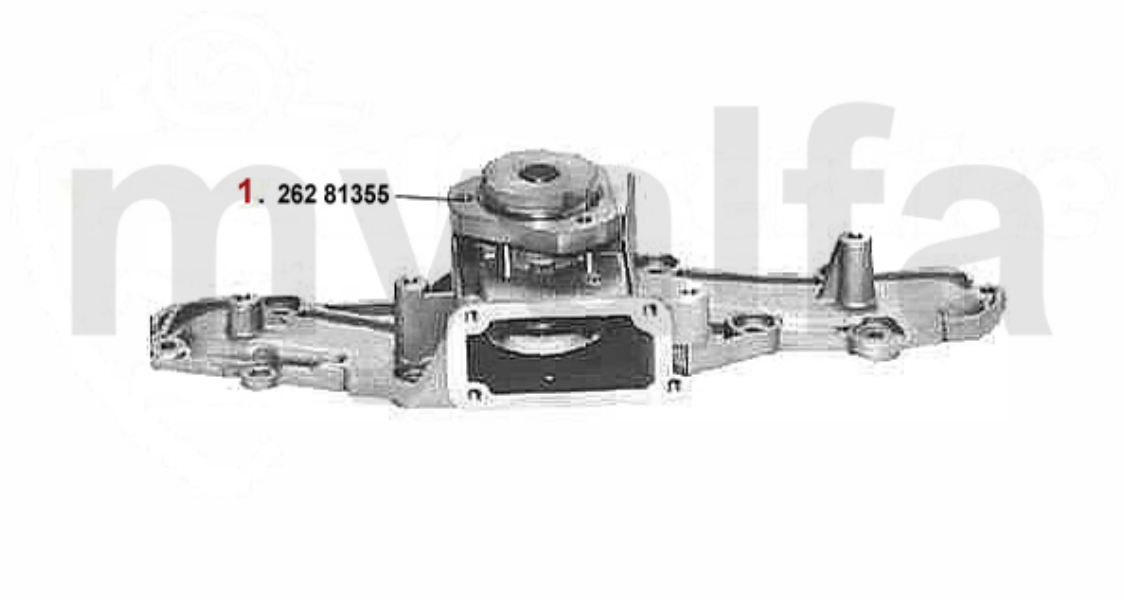
**2.** 263 54199  
CF 3



<b>1</b>	<b>26358913</b>	<b>OE. 60658913 Thermostat 156 2.5 V6</b>	<b>SEK1,160.09</b>
<b>2</b>	<b>26354199</b>	<b>OE. 60654199 THERMOSTAT 156, 166,Nouvo GT V6 24V CF3</b>	<b>On request</b>
<b>3</b>	<b>26314637</b>	<b>THERMOSTAT INLAY FOR VARIOUS V6 MOTORS</b>	<b>SEK406.95</b>

# Wasserpumpe/Waterpump 166 V6 24V

---

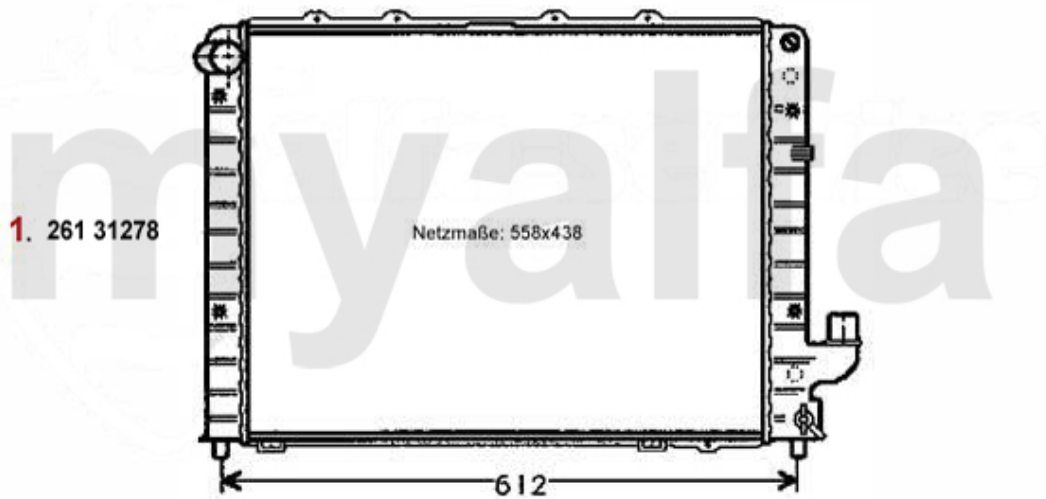


**1 26281355 OE. 60816018 WATERPUMP V6 24V**

**SEK1,842.18**



# Kühler/Radiator 166 2.4 JTD 10V



1 26131278 Motorkühler 166 2.0 V6 Turbo, 2.4 JTD 10V/20V

SEK4,104.23

# Thermostat 166 2.4 JTD 10V

---

**1.** 263 657688  
CF 2



**2.** 263 682688  
CF 3



**1** 26357688 *Thermostat 166 2.4 JTD Gehäusethermostat*

**SEK592.32**

**2** 26382688 *OE. 46795667 THERMOSTAT 156, 166 1.9/2.4 JTD CF3*

**SEK1,210.32**

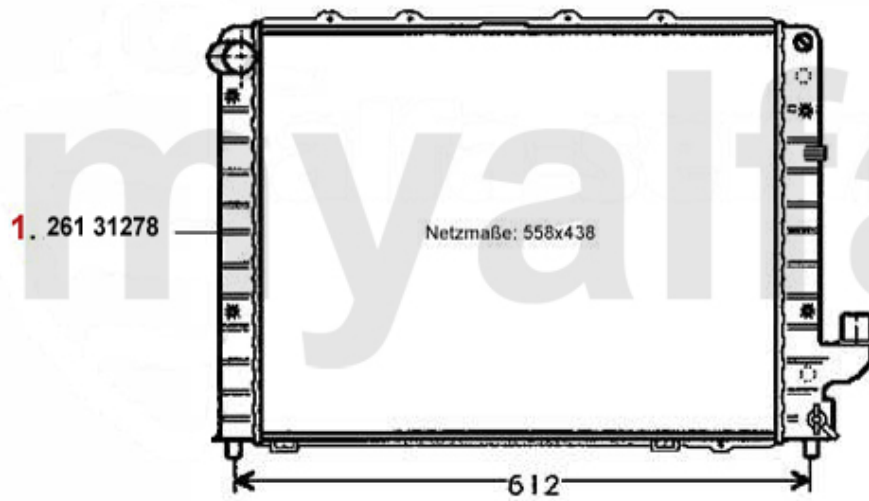
# Wasserpumpe/Waterpump 166 2.4 JTD 10V



**1** 26215970 OE. 46515970 WATER PUMP 1.9/2.4 8/10 V

**SEK706.52**

# Kühler/Radiator 166 2.4 JTD 20V



1 26131278 Motorkühler 166 2.0 V6 Turbo, 2.4 JTD 10V/20V

SEK4,104.23

# Termostat 166 2.4 JTD 20V

---

1. 263 688288



1 26388288 OE. 55189843 THERMOSTAT 156, 166 1.9/2.4 JTD 10/20V

SEK1,387.50

# Wasserpumpe/Waterpump 166 2.4 JTD 20V

1. 262 4051



1 2624051 OE. 55209993 WATERPUMP 1.9/2.4 16/20 V

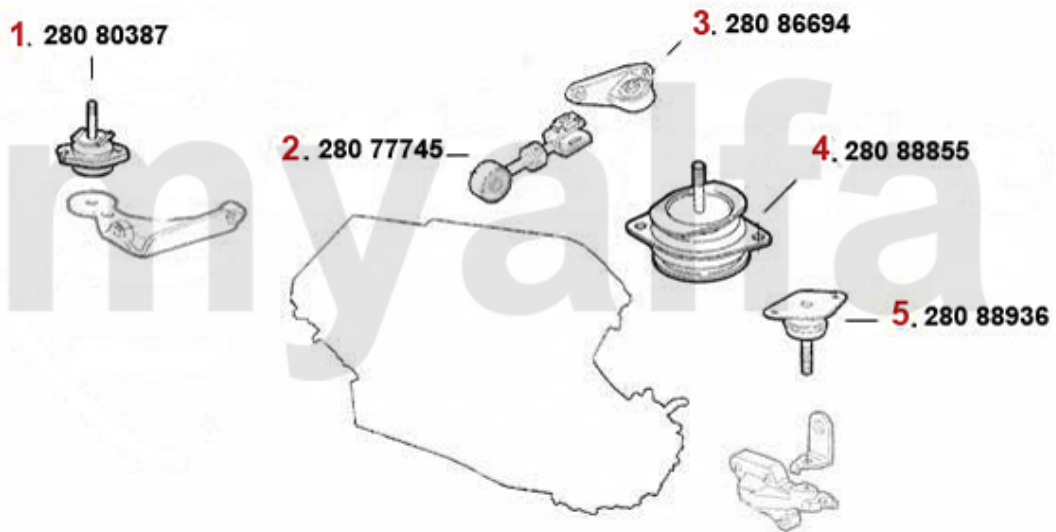
SEK907.15

# Motorlager/Enginemount 166 2.0 TS



<b>1</b>	<b>28063282</b>	<b>OE. 60663282 ENGINEMOUNT 166</b>	<b>On request</b>
<b>2</b>	<b>28071527</b>	<b>OE. 60671527 ENGINE ROD 166</b>	<b>SEK406.95</b>
<b>3</b>	<b>28035095</b>	<b>OE. 46435095 ENGINEMOUNT 166</b>	<b>SEK623.82</b>
<b>4</b>	<b>28088940</b>	<b>OE. 82488940 ENGINEMOUNT RR 166 2.0 TS/ 2.4 JTD 103 KW</b>	<b>On request</b>
<b>5</b>	<b>28061078</b>	<b>OE. 46461078 ENGINEMOUNT RL</b>	<b>SEK1,504.05</b>

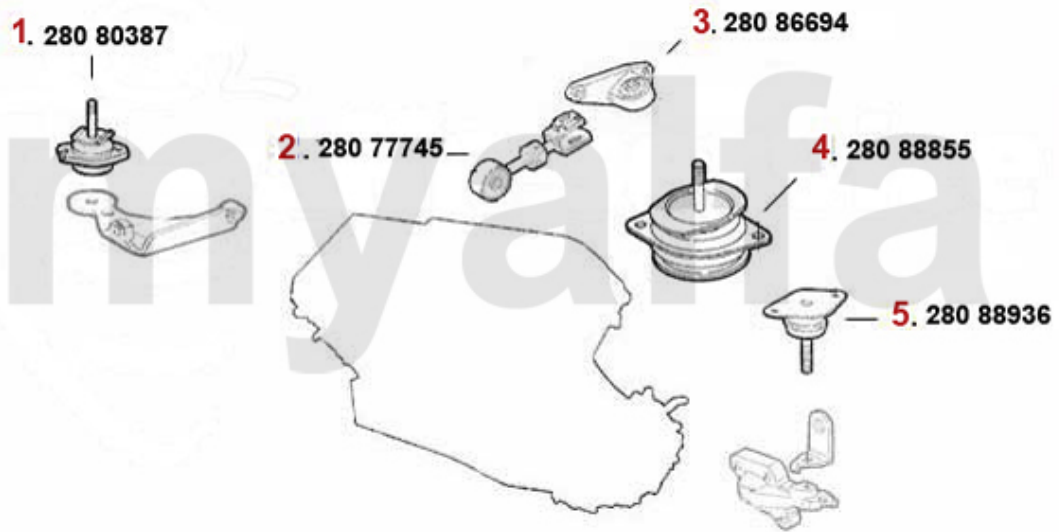
# Motorlager/Enginemount 166 2.0 V6 Turbo



<b>1</b>	<b>28080387</b>	<b>OE. 46480387</b>	<b>ENGINEMOUNT front 166 6-CYLINDER</b>	<b>On request</b>
<b>2</b>	<b>28077745</b>	<b>OE. 60677745</b>	<b>ENGINEROD 166</b>	<b>On request</b>
<b>3</b>	<b>28086694</b>	<b>OE. 82486694</b>	<b>ENGINE BRACKET</b>	<b>On request</b>
<b>4</b>	<b>28088855</b>	<b>OE. 7788875</b>	<b>ENGINEMOUNT RR</b>	<b>On request</b>
<b>5</b>	<b>28088936</b>	<b>OE. 82488936</b>	<b>ENGINEMOUNT RL</b>	<b>On request</b>

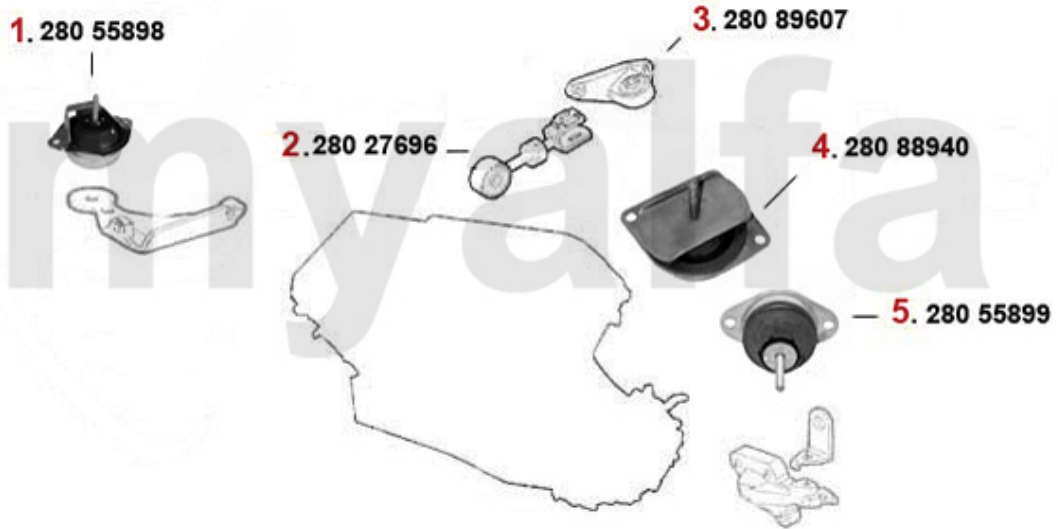


# Motorlager/Enginemount 166 V6 24V



<b>1</b>	<b>28080387</b>	<b>OE. 46480387 ENGINEMOUNT front 166 6-CYLINDER</b>	<b>On request</b>
<b>2</b>	<b>28077745</b>	<b>OE. 60677745 ENGINEROD 166</b>	<b>On request</b>
<b>3</b>	<b>28086694</b>	<b>OE. 82486694 ENGINE BRACKET</b>	<b>On request</b>
<b>4</b>	<b>28088855</b>	<b>OE. 7788875 ENGINEMOUNT RR</b>	<b>On request</b>
<b>5</b>	<b>28088936</b>	<b>OE. 82488936 ENGINEMOUNT RL</b>	<b>On request</b>

# Motorlager/Enginemount 166 2.4 JTD 10V



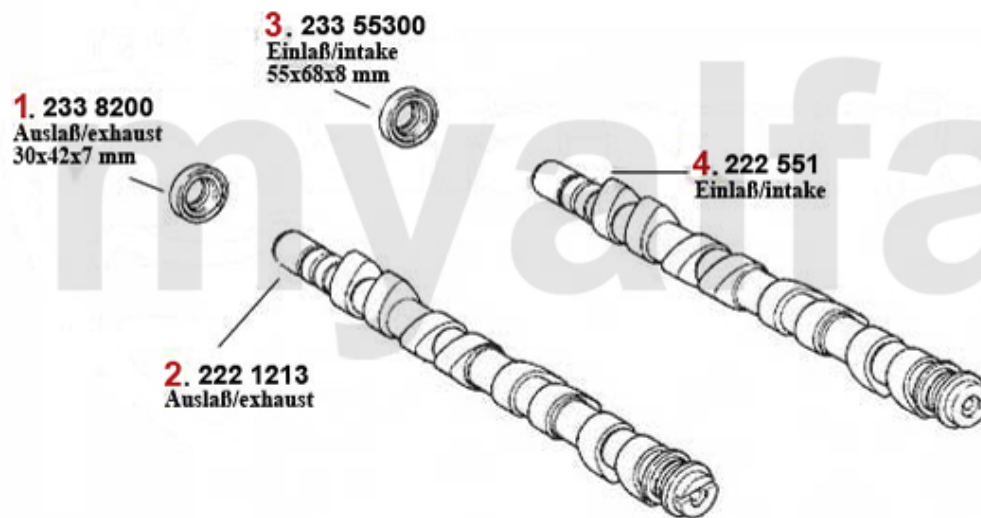
<b>1</b>	<b>28055898</b>	<b>OE. 60655898</b>	<b>ENGINEMOUNT fr. 166 2.4 JTD 10V</b>	<b>On request</b>
<b>4</b>	<b>28088940</b>	<b>OE. 82488940</b>	<b>ENGINEMOUNT RR 166 2.0 TS/2.4 JTD 103 KW</b>	<b>On request</b>
<b>5</b>	<b>28055899</b>	<b>OE. 60655899</b>	<b>ENGINEMOUNT RL</b>	<b>SEK3,019.89</b>

# Motorlager/Enginemount 166 2.4 JTD 20V



<b>1</b>	<b>28084129</b>	<b>OE. 60684129</b>	<b>ENGINEMOUNT fr. 166 2.4 JTD 20V</b>	<b>On request</b>
<b>2</b>	<b>28081194</b>	<b>OE. 60681194</b>	<b>ENGINEROD 166 2.4 JTD 20V</b>	<b>SEK204.10</b>
<b>3</b>	<b>28081193</b>	<b>OE. 60681193</b>	<b>ENGINEMOUNT 166 2.4 JTD 20V</b>	<b>On request</b>
<b>4</b>	<b>28088940</b>	<b>OE. 82488940</b>	<b>ENGINEMOUNT RR 166 2.0 TS/2.4 JTD 103 KW</b>	<b>On request</b>
<b>5</b>	<b>28084057</b>	<b>OE. 60684057</b>	<b>ENGINEMOUNT RL</b>	<b>On request</b>

# Nockenwelle/Camshaft 166 2.0 TS



1	2338200	OE. 71753052 SEALING GASKET	SEK204.10
2	2221213	OE. 60601213 CAMSHAFT	On request
3	23355300	SHAFT SEAL CAMSHAFT 145/6,15 5,156 1.6,1.7,1.8,2.0 16V TS	SEK208.68
4	222551	OE. 60600551 CAMSHAFT	SEK5,001.94

# Ventiltrieb/Valve Train 166 2.0 TS



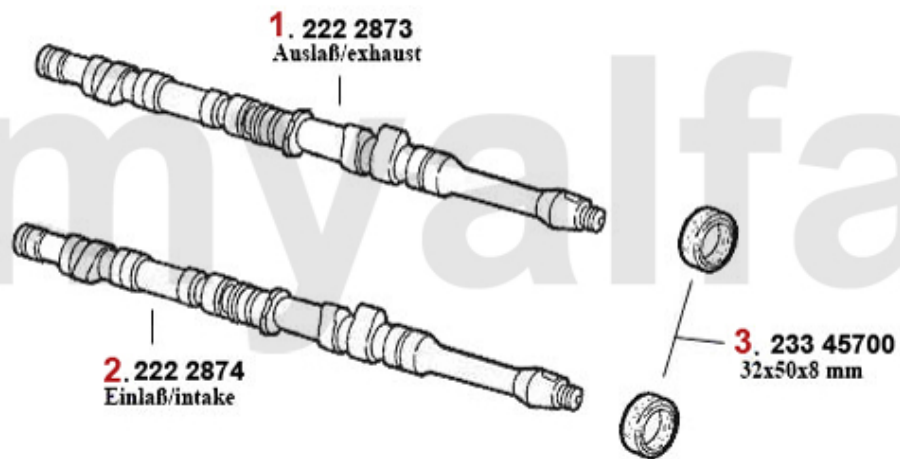
<b>1</b>	<b>22412769</b>	<b>OE.46787055 HYDRAULIC VALVE LIFTER</b>	<b>SEK208.13</b>
<b>2</b>	<b>22311582</b>	<b>Ventilführung Auslass + 0.05 TS 16V</b>	<b>SEK246.00</b>
<b>3</b>	<b>22391934</b>	<b>OE. 60674496 EXHAUST VALVE</b>	<b>On request</b>
<b>4</b>	<b>22391933</b>	<b>OE. 7766564 INTAKE VALVE</b>	<b>SEK185.37</b>
<b>5</b>	<b>22311575</b>	<b>Ventilführung Einlass +0.05 TS16V</b>	<b>SEK246.00</b>

# Zahnriemen/Timingbelt 166 2.0 TS



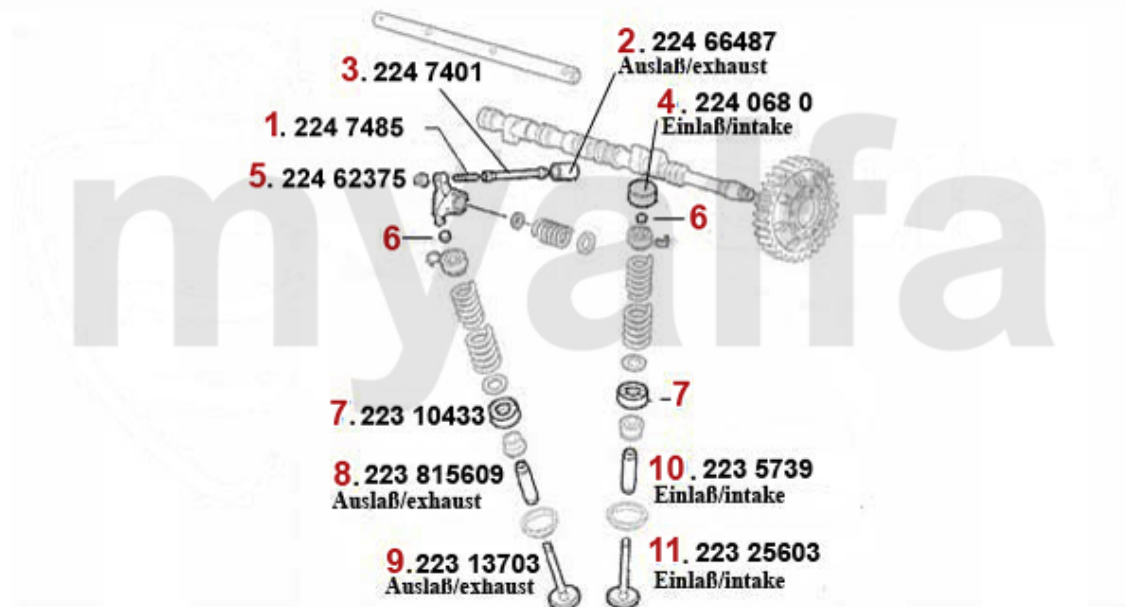
<b>1</b>	<b>24194590</b>	<b>OE. 71719648 TIMING BELT</b>	<b>SEK577.20</b>
<b>2</b>	<b>24255851</b>	<b>OE. 60671573 DEFLECTION PULLEY 1.8 TS 16V 145/6, 147,</b>	<b>SEK390.58</b>
<b>3</b>	<b>24255835</b>	<b>OE. 55192239 IDLER PULLEY 1.8 TS 16V 145/6, 147, 155, 156, 166,</b> <b>gtv/spider (916)</b>	<b>SEK956.13</b>
<b>4</b>	<b>25666199</b>	<b>OE. 71738360/55202772 ADVANCE VARIATOR TS 16V</b>	<b>On request</b>
<b>5</b>	<b>24194591</b>	<b>OE. 60620887 TIMING BELT</b>	<b>SEK804.47</b>
<b>6</b>	<b>24220443</b>	<b>OE. 55221254 TENSION PULLEY</b>	<b>SEK460.51</b>

# Nockenwelle/Camshaft 166 2.0 V6 Turbo



<b>1</b>	<b>2222873</b>	<b>OE. 60602873 CAMSHAFT</b>	<b>On request</b>
<b>2</b>	<b>2222874</b>	<b>OE. 60602874 CAMSHAFT</b>	<b>On request</b>
<b>3</b>	<b>23345700</b>	<b>OE.60570617 OIL SEAL CAMSHAFT</b>	<b>SEK231.99</b>

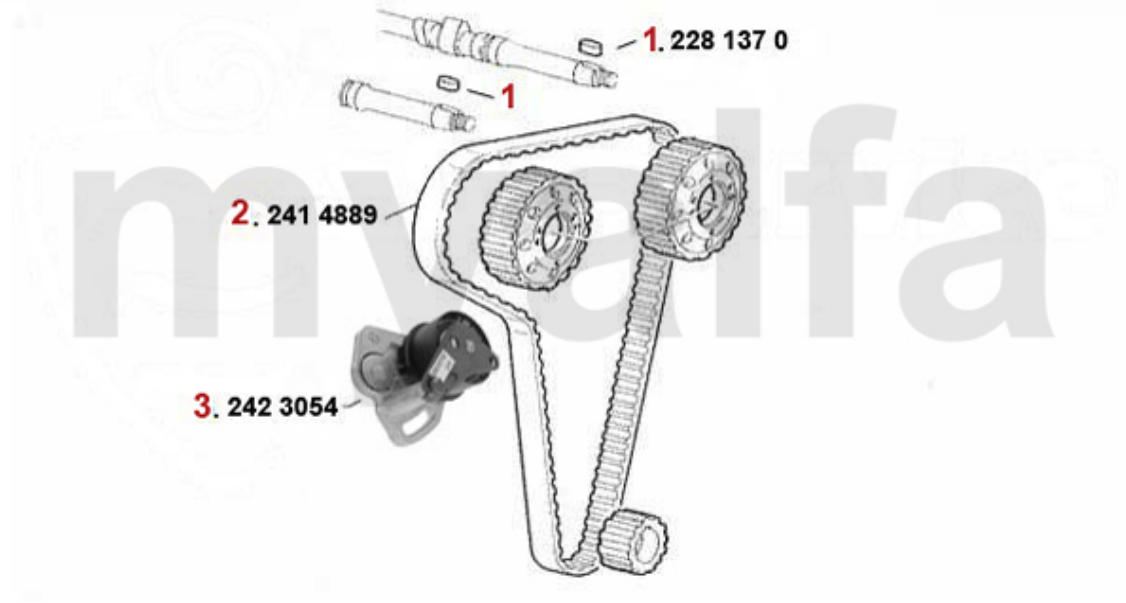
# Ventiltrieb/Valve Train 166 2.0 V6 Turbo



<b>1</b>	<b>2247485</b>	OE. 60507485 ADJUSTING SCREW ROCKER ARM SHAFT, 75, 155, 164, 166, RZ, SZ, GTV/Spider (916), GTV6	<b>SEK40.79</b>
<b>2</b>	<b>22466847</b>	OE. 60566847 CAM FOLLOWER	<b>SEK306.64</b>
<b>3</b>	<b>2247401</b>	PUSH ROD (EXHAUST-SIDE) 75 ,155 164,166,RZ,SZ,GTV/SPIDER (916),GTV/ 6	<b>SEK1,620.74</b>
<b>4</b>	<b>2240680</b>	CAM FOLLOWER OE-QUALITY 101/105/115/116/75/155/164	<b>SEK204.10</b>
<b>6</b>	<b>2431140</b>	SET VALVE SHIMS 200 PIECES 2,525 - 3,5 mm, DIAMETER 9mm	<b>SEK6,517.78</b>
<b>6</b>	<b>2430840</b>	SET VALVE SHIMS 205 PIECES 1,5 - 2,5 mm, DIAMETER 9mm	<b>SEK6,517.78</b>
<b>6</b>	<b>2430430</b>	VALVE SHIM 9MM PLEASE SUBMIT THE SIZE YOU NEED	<b>SEK144.58</b>
<b>7</b>	<b>22310433</b>	OE. 60601088/60810433 VALVE CUP	<b>On request</b>
<b>8</b>	<b>22315609</b>	OE. 60605721 EXHAUST VALVE GUIDE 6-CYLINDER 116, STEEL	<b>SEK162.06</b>
<b>9</b>	<b>22313703</b>	OE. 60513707 VALVE EXHAUST	<b>On request</b>
<b>10</b>	<b>2235739</b>	OE. 60605739 VALVE GUIDE INTAKE	<b>SEK262.38</b>
<b>11</b>	<b>22325603</b>	OE. 60625603 VALVE INTAKE 2.0	<b>SEK763.68</b>

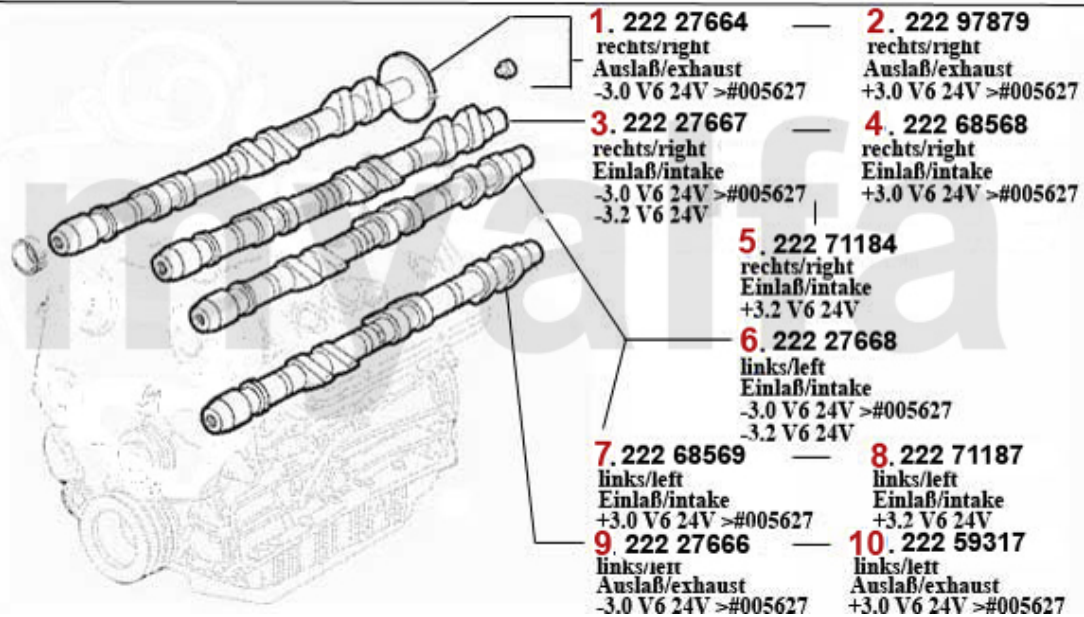


# Zahnriemen/Timingbelt 166 2.0 V6 Turbo



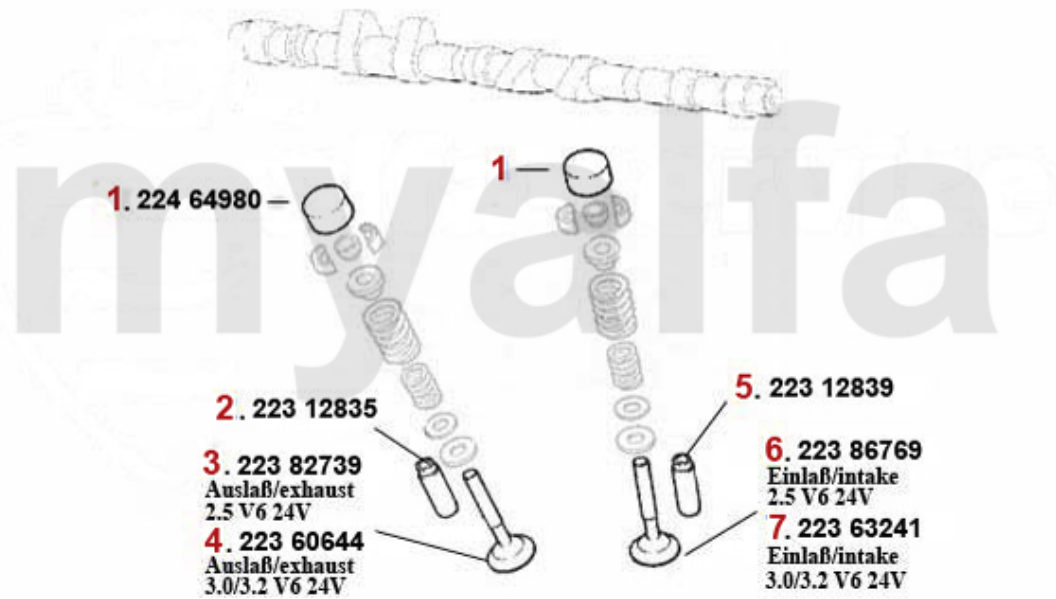
<b>1</b>	<b>2281370</b>	<b>WEDGE CAMSHAFT</b>	<b>SEK80.48</b>
<b>2</b>	<b>2414889</b>	<b>OE. 60604889 TIMINGBELT 166 2.0 V6 Turbo</b>	<b>SEK642.41</b>
<b>3</b>	<b>2423054</b>	<b>OE. 60603054 BELTSTRETCHER</b>	<b>On request</b>

# Nockenwelle/Camshaft 166 V6 24V



1	22227664	OE. 60627664 CANSHAFT	SEK7,170.74
2	22297879	CAMSHAFT RIGHT (EXHAUST) 166, GTV (916) > ENGIN NO. #5627	SEK4,069.26
3	22227667	OE. 60627667 CAMSHAFT RIGHT	On request
4	22268568	RIGHT CAMSHAFT (INLET) 164 SUPER 3.0 V6 24V, GTV(916)>MOT #5627	On request
5	22271184	OE. 60671184 Camshaft R Intake 3.2 V6 24V	On request
6	22227668	OE. 60627668 CAMSHAFT LEFT	SEK3,369.68
7	22268569	Nockenwelle links (Einlass) 164 Super,166,gtv (916) > Mot #5627	SEK2,740.04
8	22271187	OE. 60671187 Camshaft R Intake 3.2 V6 24V	SEK10,831.80
9	22227666	OE. 60627666 CANSHAFT	On request
10	22259317	Nockenwelle links (Aulaß) 164 Super ,166,gtv (916) > Mot #5627	SEK3,556.16

# Ventiltrieb/Valve Train 166 V6 24V



1	22464980	OE. 6066480 VALVE TAPPET	SEK406.95
2	22312835	OE. 60612835 VALVE GUIDE	SEK378.93
3	22382739	OE. 60582739 VALVE EXHAUST	SEK495.48
4	22360644	Exhaust Valve 3.0/3.2 24V	SEK348.68
5	22312839	OE. 60605120 VALVE GUIDE	SEK378.93
6	22386769	OE. 55186769 VALVE INTAKE 2.5 24V	SEK333.42
7	22363241	OE.60560643 INTAKE VALVE 3.0 V6 24V/3.2 GTA,147,156,164, 166, SPIDER/GTV (916),NUOVO GT	SEK338.13

# Zahnriemen/Timingbelt 166 2.5 V6 24V



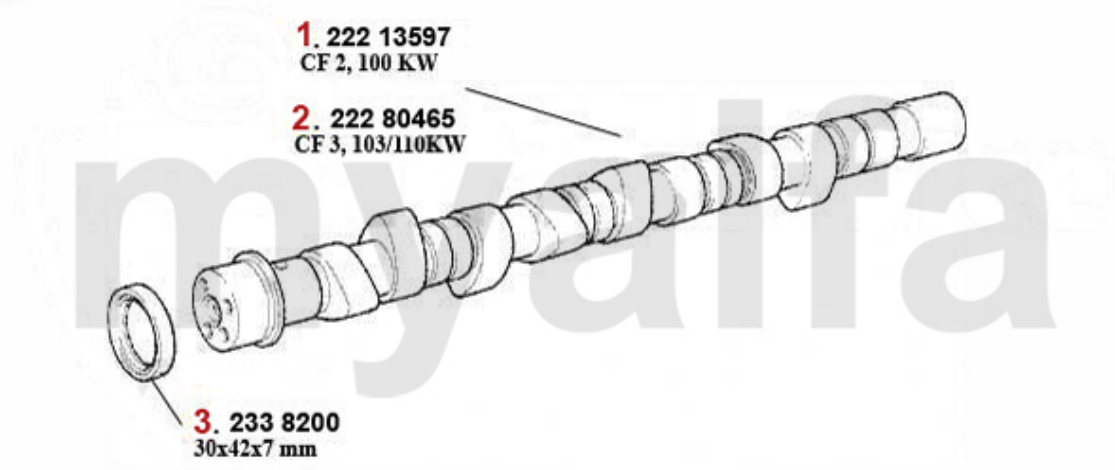
- 1 24255876 OE. 60603056 IDLE PULLEY
- 2 24194741 OE. 60674528 TIMING BELT
- 3 24255875 OE. 55196536 BELTSTRETCHER

SEK1,154.26

SEK1,387.50

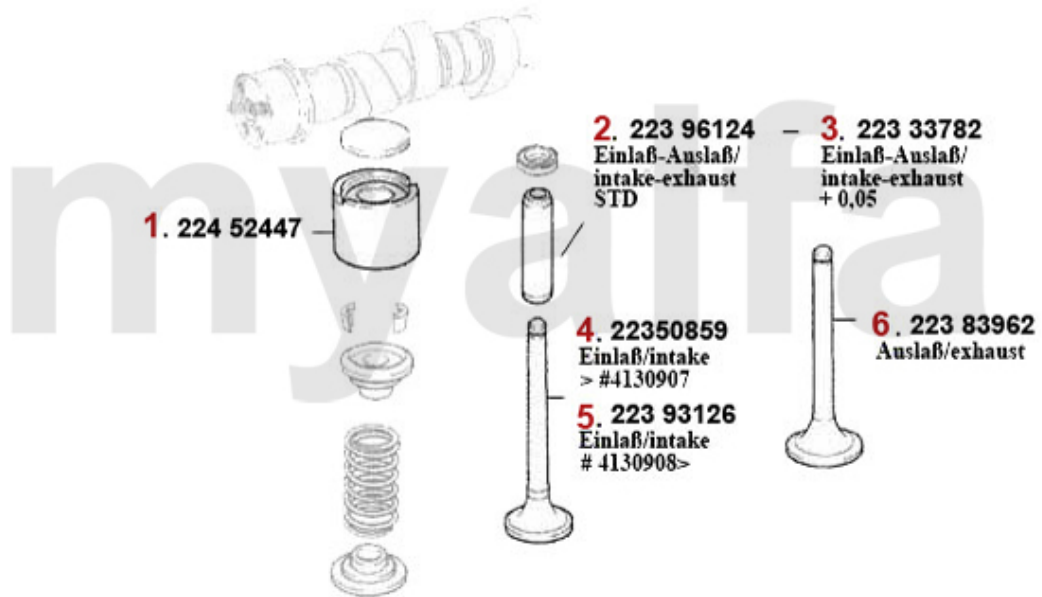
SEK1,737.29

# Nockenwelle/Camshaft 166 2.4 JTD 10V



<b>1</b>	<b>22213597</b>	<b>Nockenwelle 156,166 2.4 JTD CF2 (10 3 KW)</b>	<b>SEK2,979.10</b>
<b>2</b>	<b>22280465</b>	<b>OE. 46780465 CAMSHAFT 2.4 JTD</b>	<b>SEK8,499.83</b>
<b>3</b>	<b>2338200</b>	<b>OE. 71753052 SEALING GASKET</b>	<b>SEK204.10</b>

# Ventiltrieb/Valve Train 166 2.4 JTD 10V



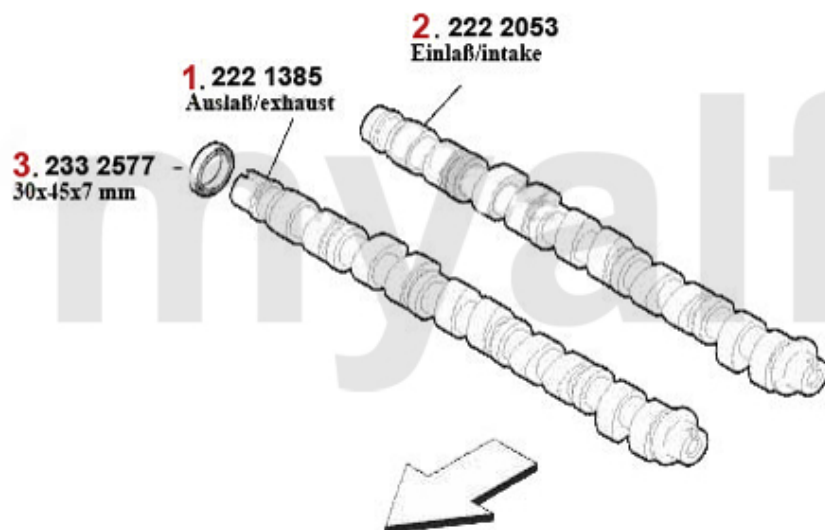
1	22452447	Hydrostößel 145/6,155,156 166 TD/ JTD	On request
2	22396124	VALVE GUIDE INTAKE/EXHAUST 166 2.4 JTD 10V	SEK58.28
3	22333782	Ventilführung Einlass/Auslass +0.05 JTD 8/10V 145/6,147,156,166	SEK48.98
4	22350859	Ventil-Einlass 145/6,147,156 166 JTD 8/10V	SEK246.00
5	22393126	Ventil-Einlass 147,156,166 JTD8/10V Bj. 6.04>	SEK236.71
6	22383962	Ventil-Auslass 145/6,147,156 166 JTD 8/10V	SEK383.64

# Zahnriemen/Timingbelt 166 2.4 JTD 10V



<b>1</b>	<b>24194713</b>	<b>Zahnriemen 190SHPN240H 145/6,156,16 6 1.9/2.4 JTD Nockenwelle,Hochtemperatur-Ausführng</b>	<b>SEK509.49</b>
<b>2</b>	<b>24255844</b>	<b>OE.60813592 TENSIONER PULLEY TIMING BELT</b>	<b>On request</b>
<b>3</b>	<b>24255842</b>	<b>OE. 7763644 IDLER PULLEY</b>	<b>SEK378.93</b>

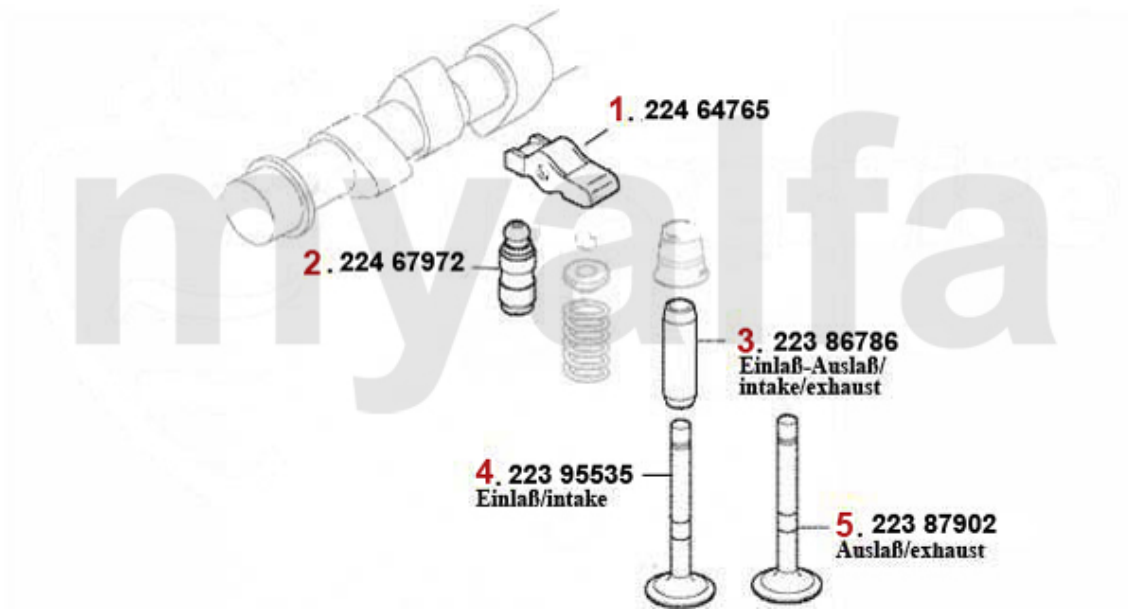
# Nockenwelle/Camshaft 166 2.4 JTD 20V



1	2221385	OE. 73501385 CAMSHAFT EXHAUST 2.4 JTD 20V	SEK6,984.12
2	2222053	OE. 46802053 CAMSHAFT INTAKE 2.4 JTD 20V	SEK2,141.88
3	2332577	Simmerring Nockenwelle 147, 156,166,Nuovo GT 1.9/2.4 JTD 16V/20V	SEK77.01



# Ventiltrieb/Valve Train 166 2.4 JTD 20V



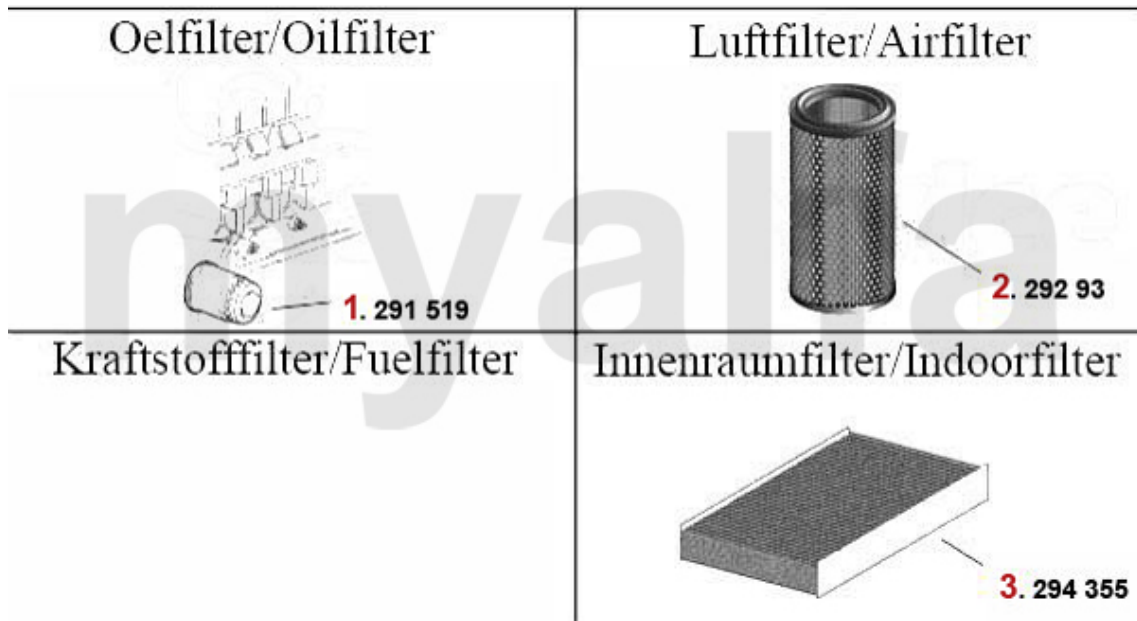
<b>1</b>	<b>22464765</b>	<b>OE. 55200333</b>	<b>ROCKER 1.9 JTD 16V</b>	<b>SEK291.51</b>
<b>2</b>	<b>22467972</b>		<b>Stössel 147,156,166,Nuovo GT JTD 16/20V</b>	<b>On request</b>
<b>3</b>	<b>22386786</b>	<b>OE. 55186786</b>	<b>Valve Guide Intake/Exhaust JTD 16/20V</b>	<b>SEK156.23</b>
<b>4</b>	<b>22395535</b>	<b>OE. 55195535</b>	<b>Valve Intake JTD 16/20V</b>	<b>SEK221.58</b>
<b>5</b>	<b>22387902</b>	<b>OE. 46787902</b>	<b>Valve-Exhaust JTD 16/20V</b>	<b>SEK234.35</b>

# Zahnriemen/Timingbelt 166 2.4 JTD 20V



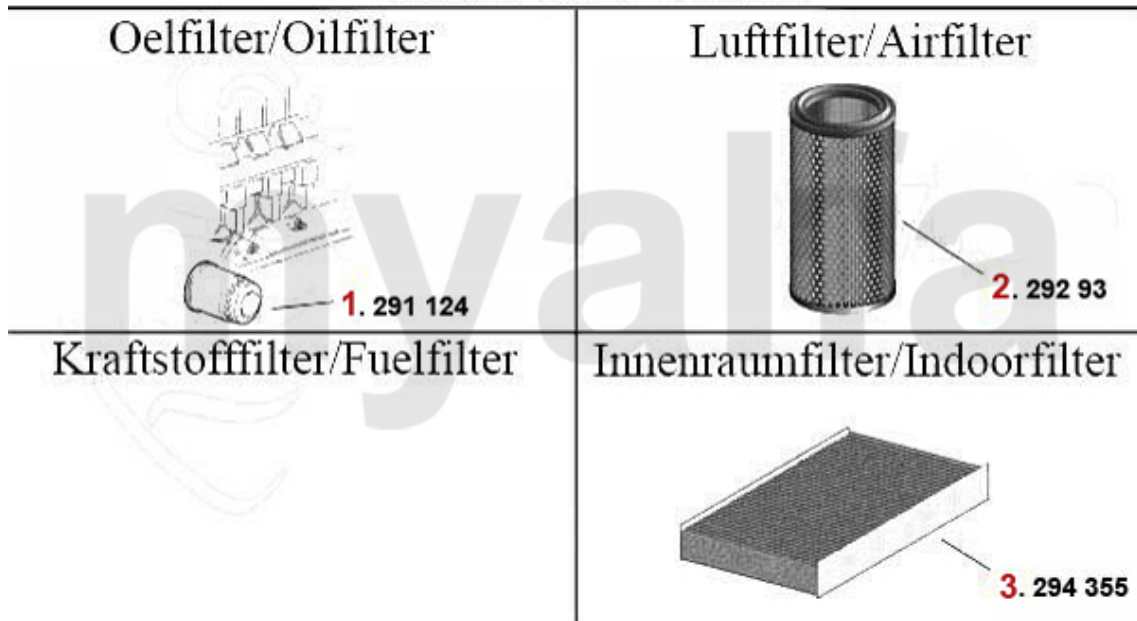
<b>1</b>	<b>24194958</b>	<b>Zahnriemen 147,156,166,Nuovo GT JTD 16/20V</b>	<b>SEK682.10</b>
<b>2</b>	<b>24255844</b>	<b>OE.60813592 TENSIONER PULLEY TIMING BELT</b>	<b>On request</b>
<b>3</b>	<b>24255842</b>	<b>OE. 7763644 IDLER PULLEY</b>	<b>SEK378.93</b>

# Filter 166 2.0 TS



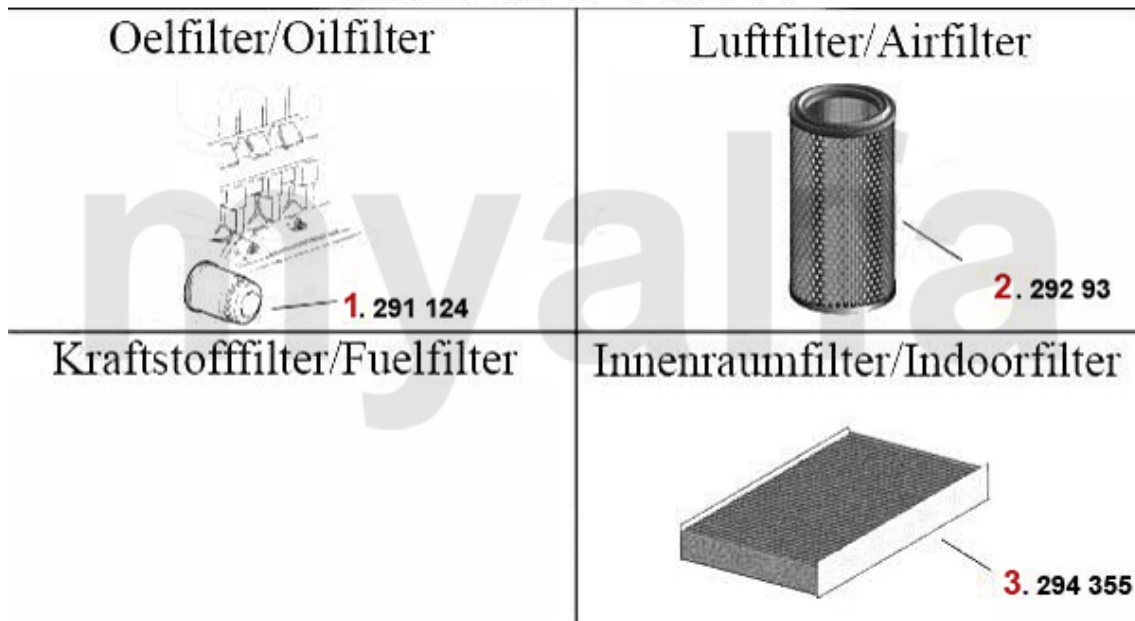
<b>1</b>	<b>291519</b>	<b>OE. 46808398/71736159 OILFILTER</b>	<b>SEK103.79</b>
<b>2</b>	<b>29293</b>	<b>OE. 60811342 AIR FILTER</b>	<b>SEK332.31</b>
<b>3</b>	<b>294355</b>	<b>OE. 46722335 INTERIOR FILTER</b>	<b>SEK341.60</b>

# Filter 166 Turbo



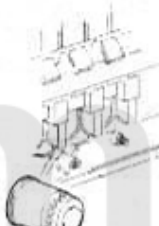



<b>1</b>	<b>291124</b>	<b>OE. 46805830 Oilfilter</b>	<b>SEK185.37</b>
<b>2</b>	<b>29293</b>	<b>OE. 60811342 AIR FILTER</b>	<b>SEK332.31</b>
<b>3</b>	<b>294355</b>	<b>OE. 46722335 INTERIOR FILTER</b>	<b>SEK341.60</b>

# Filter 166 V6 24V



<b>1</b>	<b>291124</b>	<b>OE. 46805830 Oilfilter</b>	<b>SEK185.37</b>
<b>2</b>	<b>29293</b>	<b>OE. 60811342 AIR FILTER</b>	<b>SEK332.31</b>
<b>3</b>	<b>294355</b>	<b>OE. 46722335 INTERIOR FILTER</b>	<b>SEK341.60</b>

# Filter 166 JTD

Oelfilter/Oilfilter	Luftfilter/Airfilter
 <p><b>1. 291 126</b> 100/103 KW</p> <p><b>2. 291 110</b> 110/129 KW</p>	 <p><b>3. 292 93</b> 100/103 KW</p> <p><b>4. 292 149</b> 110/129 KW</p>
Kraftstofffilter/Fuelfilter	Innenraumfilter/Indoorfilter
 <p><b>5. 293 378</b> &gt;12.2002</p> <p><b>6. 293 338</b> 01.2003-&gt;</p>	 <p><b>7. 294 355</b></p>

<b>1</b>	<b>291126</b>	<b>Ölfilter 145/6,147,156,166 JTD Anschraubpatrone</b>	<b>SEK107.25</b>
<b>2</b>	<b>291110</b>	<b>Ölfilter 147,156,Nuovo GT 1.9 JTD, 166 2.4 JTD Anschraubpatrone</b>	<b>SEK121.27</b>
<b>3</b>	<b>29293</b>	<b>OE. 60811342 AIR FILTER</b>	<b>SEK332.31</b>
<b>4</b>	<b>292149</b>	<b>OE. 7786626 AIR FILTER ELEMENT</b>	<b>SEK332.31</b>
<b>5</b>	<b>293378</b>	<b>OE.60816460 FUEL FILTER 147,156,166 1.9 JTD 8V (CF3)/ 2.4 JTD 110kw</b>	<b>SEK384.75</b>
<b>6</b>	<b>293338</b>	<b>Kraftstofffilter 147,156,166 Nuovo G T JTD (CF3),Bj 01&gt;</b>	<b>SEK334.67</b>
<b>7</b>	<b>294355</b>	<b>OE. 46722335 INTERIOR FILTER</b>	<b>SEK341.60</b>

# Abgasanlage/Exhaust System 166 2.0 TS

 **5** x1  
  **6** x1  
  **7** x2  
  **8** x1  
  **9** x2  
  **10** x1  
  **11** x2




166 2.0 16V TWIN SPARK (1970 cc - 114 kW - Mot. AR34103 / 110 kW - Mot. AR36301)

10/'98-

<b>1</b>	<b>33118101</b>	<b>OE. 60667905 FRONT EXHAUST</b>	<b>SEK2,460.18</b>
<b>1</b>	<b>33174700</b>	<b>OE. 60674700 EXHAUST PIPE 166</b>	<b>On request</b>
<b>2</b>	<b>32167262</b>	<b>OE. 60667262 SILENCER</b>	<b>SEK8,517.45</b>
<b>2</b>	<b>32118133</b>	<b>OE. 60662806 CATALYSATOR</b>	<b>SEK7,403.84</b>
<b>3</b>	<b>34118106</b>	<b>Mitteltopf 166 2.0 TS, 2.4 JTD</b>	<b>SEK1,936.67</b>
<b>4</b>	<b>35118107</b>	<b>OE. 60629218 REAR SILENCER</b>	<b>SEK2,740.04</b>
<b>5</b>	<b>38094474</b>	<b>OE. 46772217 GASKET</b>	<b>SEK115.44</b>
<b>6</b>	<b>38094484</b>	<b>OE. 73503584 GASKET</b>	<b>SEK145.69</b>
<b>7</b>	<b>38091031</b>	<b>OE. 60573198 / 60615734 RUBBER/EXHAUST MOUNT 164 Super Turbo</b>	<b>SEK52.45</b>
<b>8</b>	<b>38094002</b>	<b>OE. 60511451 EXHAUST GASKET</b>	<b>SEK103.79</b>
<b>9</b>	<b>38091143</b>	<b>OE. 60811640 / 60816516 EXHAUST RUBBER</b>	<b>SEK42.60</b>
<b>11</b>	<b>38091066</b>	<b>OE. 60655991 / 60814913 / 60695841 EXHAUST RUBBER</b>	<b>SEK45.51</b>

# Abgasanlage/Exhaust System 166 V6 Turbo

 **5** x1  
  **6** x1  
  **7** x2  
  **8** x1  
  **9** x2  
  **10** x1  
  **11** x2



**166 2.0 V6 TURBO** (1998 cc. - 151 kW - Mot. AP34102)

**10/'98-**

<b>1</b>	<b>33158592</b>	<b>OE. 60658592 EXHAUST PIPE 166</b>	<b>SEK4,175.27</b>
<b>2</b>	<b>32157433</b>	<b>Katalysator 166 V6 turbo</b>	<b>SEK8,492.89</b>
<b>3</b>	<b>34157406</b>	<b>OE. 60630371 MIDDLE SILENCER</b>	<b>On request</b>
<b>4</b>	<b>35118207</b>	<b>Endtopf 166 V6 turbo</b>	<b>On request</b>
<b>5</b>	<b>38027204</b>	<b>OE. 55191963 SEALING GASKET f. EXHAUST PIPE 166 2.0 V6</b>	<b>On request</b>
<b>6</b>	<b>38094484</b>	<b>OE. 73503584 GASKET</b>	<b>SEK145.69</b>
<b>7</b>	<b>38091031</b>	<b>OE. 60573198 / 60615734 RUBBER/EXHAUST MOUNT 164 Super Turbo</b>	<b>SEK52.45</b>
<b>8</b>	<b>38094003</b>	<b>OE. 82407147 GASKET</b>	<b>SEK122.38</b>
<b>9</b>	<b>38091143</b>	<b>OE. 60811640 / 60816516 EXHAUST RUBBER</b>	<b>SEK42.60</b>
<b>11</b>	<b>38091066</b>	<b>OE. 60655991 / 60814913 / 60695841 EXHAUST RUBBER</b>	<b>SEK45.51</b>



# Abgasanlage/Exhaust System 166 V6 24V CF2



166 2.5/3.0 V6 24V CF2

10.1998>

1	33156839	OE. 60656838 EXHAUST PIPE FR 166 2.5/3.0 V6 24V CF2	On request
2	33156838	OE. 60656838 EXHAUST PIPE FL 166 2.5/3.0 V6 24V CF2	On request
3	32118333	Katalysator mitte 166 V6 24V	SEK9,389.49
4	34157406	OE. 60630371 MIDDLE SILENCER	On request
5	35118307	OE. 60672046 REAR SILENCER	SEK4,185.81
6	38054239	OE. 60654239 GASKET	SEK145.69
7	38094552	Dichtung Kat 166 V6 24V	SEK118.91
8	38091031	OE. 60573198 / 60615734 RUBBER/EXHAUST MOUNT 164 Super Turbo	SEK52.45
9	38094003	OE. 82407147 GASKET	SEK122.38
10	38091143	OE. 60811640 / 60816516 EXHAUST RUBBER	SEK42.60
12	38091066	OE. 60655991 / 60814913 / 60695841 EXHAUST RUBBER	SEK45.51

# Abgasanlage/Exhaust System 166 V6 24V CF3

 **6** x2   
  **7** x2   
  **8** x2   
  **9** x1   
  **10** x2   
  **9** x1   
  **11** x2



166 2.5/3.0/3.2 V6 24V CF3

10.2000>

<b>1</b>	<b>33156839</b>	<b>OE. 60656838 EXHAUST PIPE FR 166 2.5/3.0 V6 24V CF2</b>	<b>On request</b>
<b>1</b>	<b>33169661</b>	<b>OE. 60669661 EXHAUST PIPE FR 166 2.5/3.2 V6 24V CF3</b>	<b>On request</b>
<b>2</b>	<b>33156838</b>	<b>OE. 60656838 EXHAUST PIPE FL 166 2.5/3.0 V6 24V CF2</b>	<b>On request</b>
<b>2</b>	<b>33169662</b>	<b>OE. 60669662 EXHAUST PIPE FL 166 2.5/3.2 V6 24V CF3</b>	<b>On request</b>
<b>3</b>	<b>32166853</b>	<b>OE. 60666853 SILENCER CATALIZED 166 2.5/3.0 V6 24V</b>	<b>SEK13,756.09</b>
<b>3</b>	<b>32177530</b>	<b>OE. 60677530 SILENCER CATALIZED 166 3.2 V6 24V CF</b>	<b>SEK13,456.39</b>
<b>4</b>	<b>34157406</b>	<b>OE. 60630371 MIDDLE SILENCER</b>	<b>On request</b>
<b>5</b>	<b>35118307</b>	<b>OE. 60672046 REAR SILENCER</b>	<b>SEK4,185.81</b>
<b>6</b>	<b>38054239</b>	<b>OE. 60654239 GASKET</b>	<b>SEK145.69</b>
<b>6</b>	<b>38069665</b>	<b>OE. 60669665 SEALING GASKET f. EXHAUST PIPE 147,156,166,</b>	<b>SEK220.34</b>
<b>7</b>	<b>38094552</b>	<b>Dichtung Kat 166 V6 24V</b>	<b>SEK118.91</b>
<b>8</b>	<b>38091031</b>	<b>OE. 60573198 / 60615734 RUBBER/EXHAUST MOUNT 164 Super Turbo</b>	<b>SEK52.45</b>
<b>9</b>	<b>38094003</b>	<b>OE. 82407147 GASKET</b>	<b>SEK122.38</b>
<b>10</b>	<b>38091143</b>	<b>OE. 60811640 / 60816516 EXHAUST RUBBER</b>	<b>SEK42.60</b>
<b>11</b>	<b>38091066</b>	<b>OE. 60655991 / 60814913 / 60695841 EXHAUST RUBBER</b>	<b>SEK45.51</b>

# Abgasanlage/Exhaust System 166 2.4 JTD 10V

 **5** x1    
  **6** x1    
  **7** x2    
  **8** x1    
  **9** x2    
  **8** x1    
  **10** x2




166 2.4 JTD 10V 100/103/110 KW

10.1998>

<b>1</b>	<b>33157301 FRONT EXHAUST SECTION 166 2.4 JTD</b>	<b>SEK2,250.25</b>
<b>2</b>	<b>32118433 Katalysator mitte 166 2.4 JTD</b>	<b>SEK10,155.53</b>
<b>3</b>	<b>34118106 Mitteltopf 166 2.0 TS, 2.4 JTD</b>	<b>SEK1,936.67</b>
<b>4</b>	<b>35118407 REAR SILENCER 166 2.4 JTD</b>	<b>On request</b>
<b>5</b>	<b>38076928 OE. 82476928 SEALING GASKET f. EXHAUST PIPE 166 2.4 JTD</b>	<b>SEK198.27</b>
<b>6</b>	<b>38094484 OE. 73503584 GASKET</b>	<b>SEK145.69</b>
<b>7</b>	<b>38091031 OE. 60573198 / 60615734 RUBBER/EXHAUST MOUNT 164 Super Turbo</b>	<b>SEK52.45</b>
<b>8</b>	<b>38094002 OE. 60511451 EXHAUST GASKET</b>	<b>SEK103.79</b>
<b>9</b>	<b>38091143 OE. 60811640 / 60816516 EXHAUST RUBBER</b>	<b>SEK42.60</b>
<b>10</b>	<b>38091066 OE. 60655991 / 60814913 / 60695841 EXHAUST RUBBER</b>	<b>SEK45.51</b>

# Abgasanlage/Exhaust System 166 2.4 JTD 20V

 **5** x1    
  **6** x1    
  **7** x2    
  **8** x1    
  **9** x2    
  **8** x1    
  **10** x2

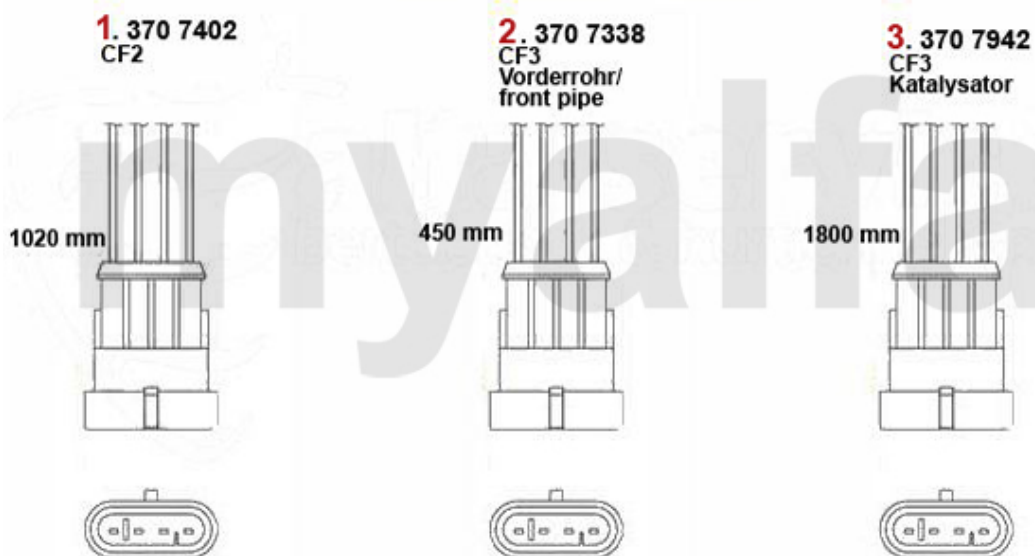


166 2.4 JTD 20V 129/132/136 KW

10.2003>

<b>1</b>	<b>33183717</b>	<b>OE. 55183717 EXHAUST PIPE 166</b>	<b>SEK3,218.03</b>
<b>2</b>	<b>32118433</b>	<b>Katalysator mitte 166 2.4 JTD</b>	<b>SEK10,155.53</b>
<b>3</b>	<b>34118106</b>	<b>Mitteltopf 166 2.0 TS, 2.4 JTD</b>	<b>SEK1,936.67</b>
<b>4</b>	<b>35118407</b>	<b>REAR SILENCER 166 2.4 JTD</b>	<b>On request</b>
<b>5</b>	<b>38094560</b>	<b>Dichtung VSD 145/6,156,166 JTD</b>	<b>SEK69.93</b>
<b>6</b>	<b>38094484</b>	<b>OE. 73503584 GASKET</b>	<b>SEK145.69</b>
<b>7</b>	<b>38091031</b>	<b>OE. 60573198 / 60615734 RUBBER/EXHAUST MOUNT 164 Super Turbo</b>	<b>SEK52.45</b>
<b>8</b>	<b>38094002</b>	<b>OE. 60511451 EXHAUST GASKET</b>	<b>SEK103.79</b>
<b>9</b>	<b>38091143</b>	<b>OE. 60811640 / 60816516 EXHAUST RUBBER</b>	<b>SEK42.60</b>
<b>10</b>	<b>38091066</b>	<b>OE. 60655991 / 60814913 / 60695841 EXHAUST RUBBER</b>	<b>SEK45.51</b>

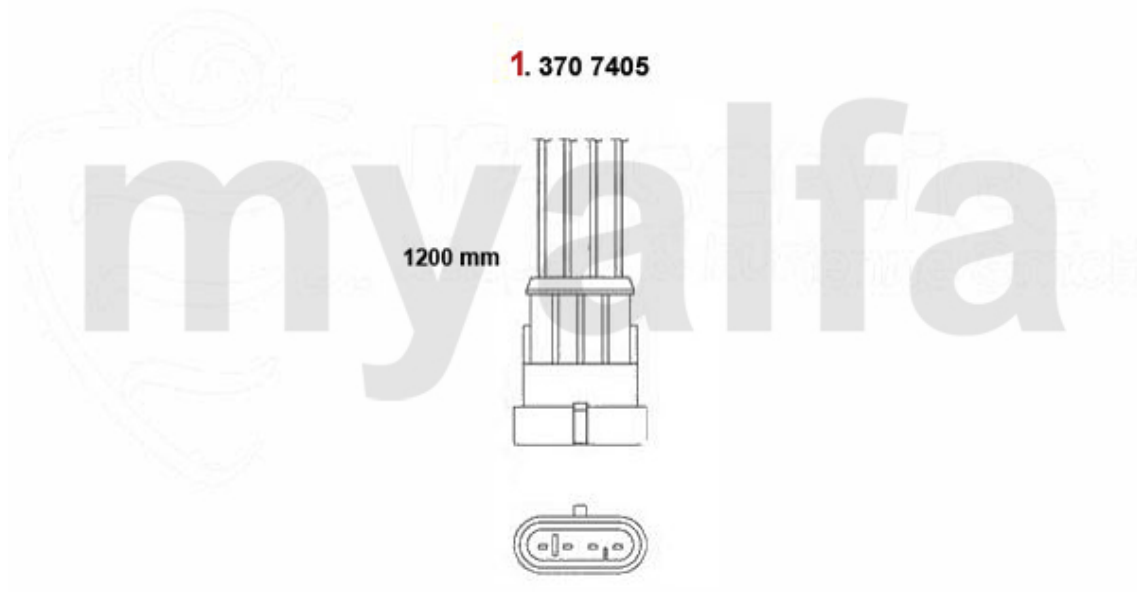
# Lambda-Sonde/Lambda Probe 166 2.0 TS



1	3707402	OE. 46750242 LAMBDA PROBE 166	SEK1,866.74
2	3707338	OE: 46762182 LAMBDA PROBE	On request
3	3707942	OE. 46750248 LAMBDA PROBE 166 2.0/2.5/ 3.0/3.2 CF3	SEK1,304.67

# Lambda-Sonde/Lambda Probe 166 2.0 V6 Turbo

---

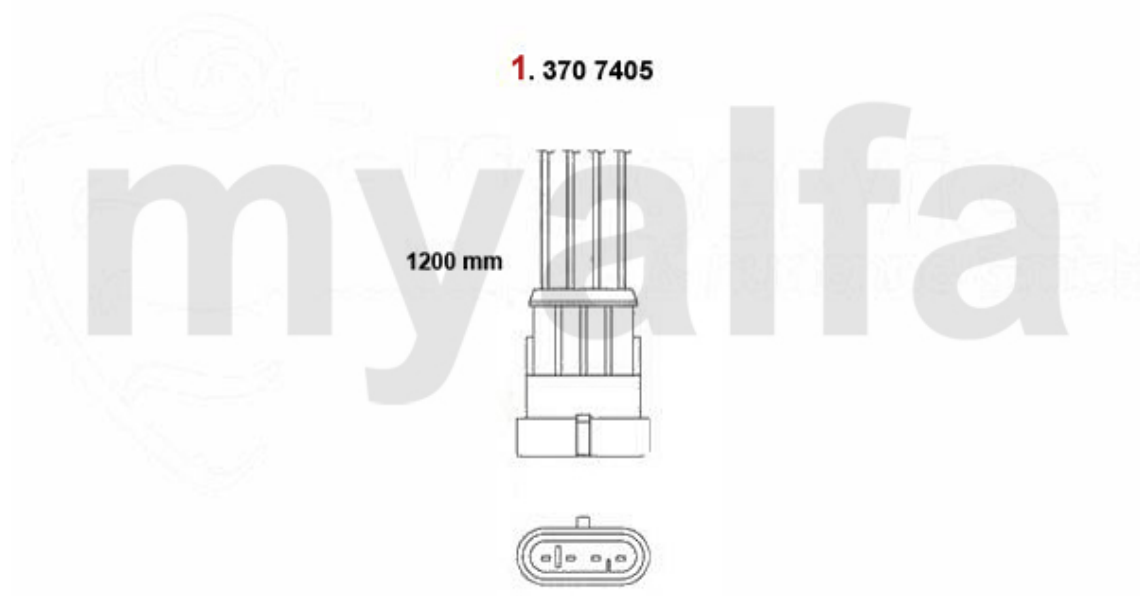


**1 3707405** OE. 46750246 LAMBDA PROBE

**SEK1,543.73**

# Lambda-Sonde/Lambda Probe 166 2.5/3.0 V6 24V CF2

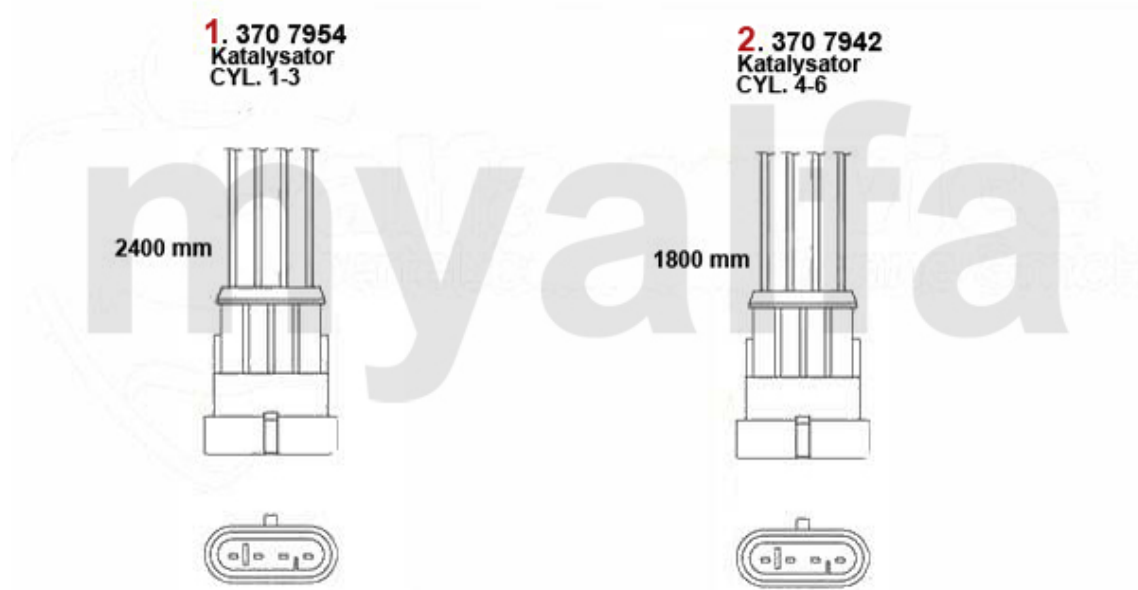
---



**1 3707405** OE. 46750246 LAMBDA PROBE

**SEK1,543.73**

# Lambda-Sonde/Lambda Probe 166 2.5/3.0/3.2 V6 24V CF3



1 3707954 OE. 46805750 LAMBDA PROBE

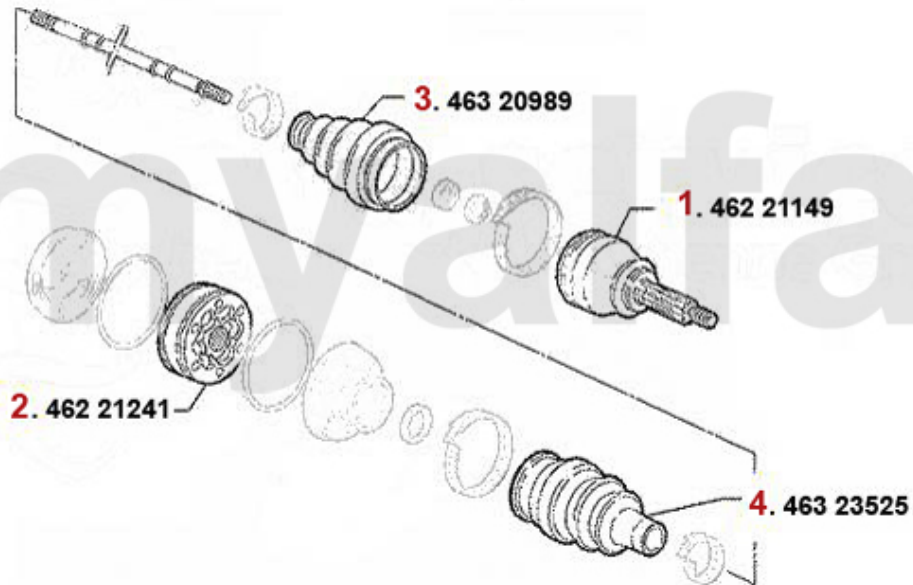
On request

2 3707942 OE. 46750248 LAMBDA PROBE 166 2.0/2.5/ 3.0/3.2 CF3

SEK1,304.67

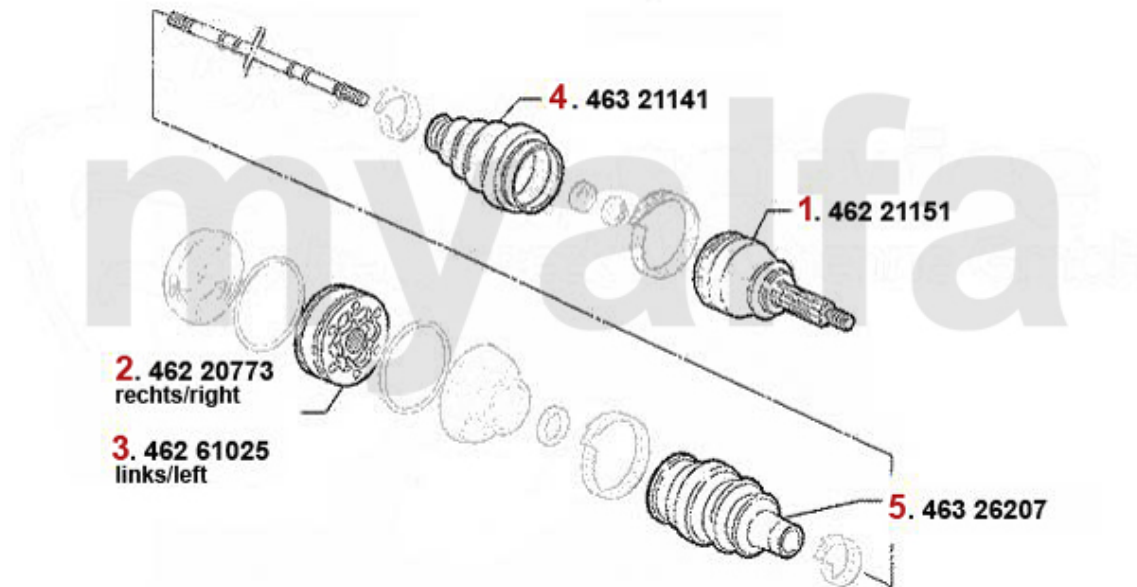


# Antriebswelle/Driveshaft 166 2.0 TS



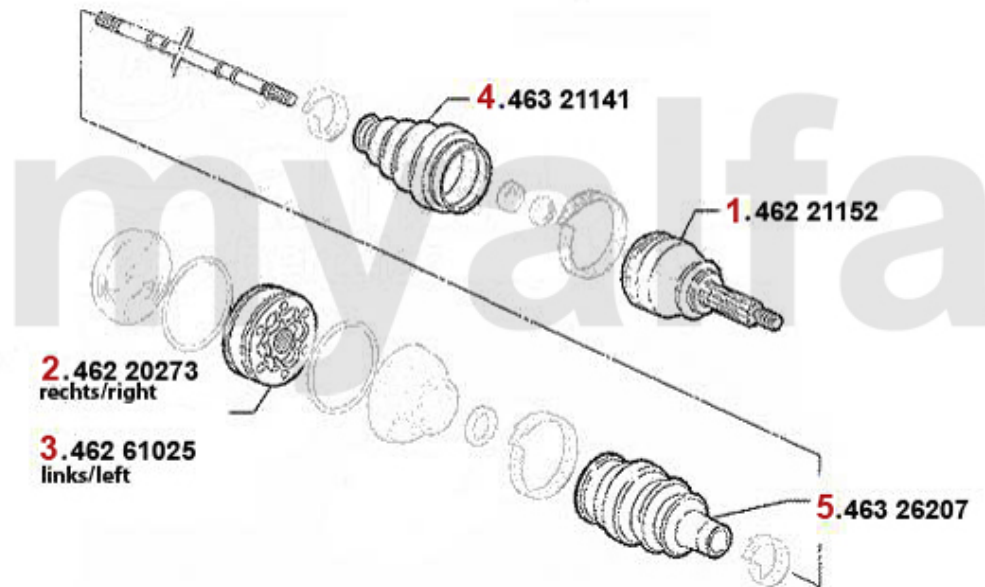
<b>1</b>	<b>46221149</b>	<b>SET OF OUTER JOINTS 166 2.0 TS</b>	<b>SEK1,256.94</b>
<b>2</b>	<b>46221241</b>	<b>INNER JOINT SET GTV/SPIDER (916), 155, 145/6 TS 16V, 156 TS 16V, 166 2.0 TS, 147 1.6/2.0 TS</b>	<b>SEK1,340.88</b>
<b>3</b>	<b>46320989</b>	<b>OE. 46429633 DRIVE SHAFT BOOT SET</b>	<b>SEK243.65</b>
<b>4</b>	<b>46323525</b>	<b>OE. 9945301 BOOT</b>	<b>SEK320.65</b>

# Antriebswelle/Driveshaft 166 2.0 TS



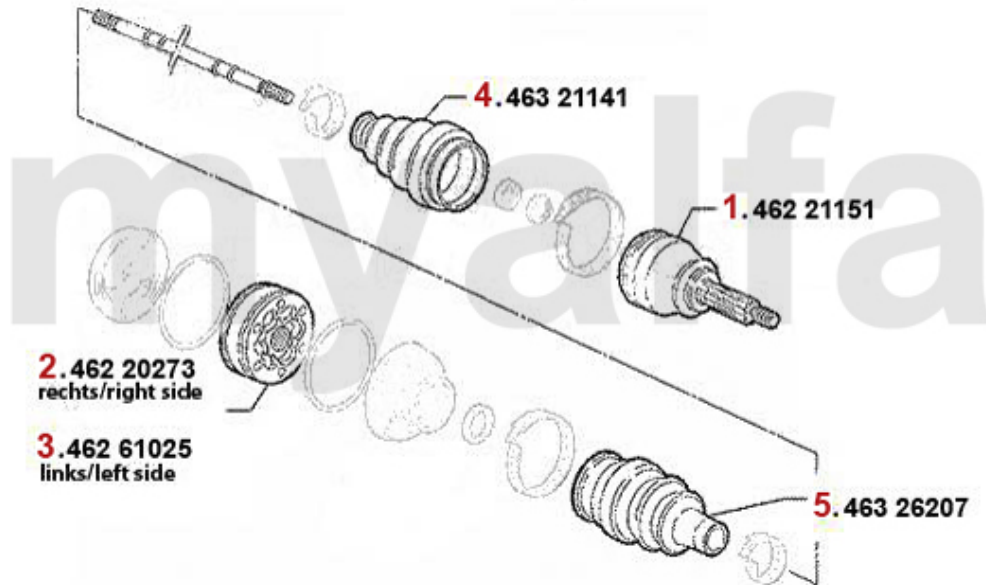
<b>1</b>	<b>46221151</b>	<b>Gelenksatz außen 156 1.8/1.8/2.0 16V TS,gtv (916) 1.8/2.0 TS/JTS Bj. 98&gt;,Nuovo GT</b>	<b>SEK1,387.50</b>
<b>2</b>	<b>46220273</b>	<b>INNER DRIVESHAFT JOINT Ri 166 6-Cyl.</b>	<b>SEK1,406.09</b>
<b>3</b>	<b>46261025</b>	<b>INNER DRIVESHAFT JOINT LE 166 6-Cyl.</b>	<b>SEK1,406.09</b>
<b>4</b>	<b>46321141</b>	<b>OUTER CV BOOT 166 6 CYLINDER/JTD 10V O.E. 82476458</b>	<b>SEK343.96</b>
<b>5</b>	<b>46326207</b>	<b>INNER CV BOOT GTV/SPIDER (916), 2.0 TS 1995-98, 155, 145/6, 166 6 CYLINDER O.E. 608</b>	<b>SEK262.38</b>

# Antriebswelle/Driveshaft 166 2.5 V6 24V



<b>1</b>	<b>46221151</b>	<b>Gelenksatz außen 156 1.8/1.8/2.0 16V TS,gtv (916) 1.8/2.0 TS/JTS Bj. 98&gt;,Nuovo GT</b>	<b>SEK1,387.50</b>
<b>2</b>	<b>46220273</b>	<b>INNER DRIVESHAFT JOINT Ri 166 6-Cyl.</b>	<b>SEK1,406.09</b>
<b>3</b>	<b>46261025</b>	<b>INNER DRIVESHAFT JOINT LE 166 6-Cyl.</b>	<b>SEK1,406.09</b>
<b>4</b>	<b>46321141</b>	<b>OUTER CV BOOT 166 6 CYLINDER/JTD 10V O.E. 82476458</b>	<b>SEK343.96</b>
<b>5</b>	<b>46326207</b>	<b>INNER CV BOOT GTV/SPIDER (916), 2.0 TS 1995-98, 155, 145/6, 166 6 CYLINDER O.E. 608</b>	<b>SEK262.38</b>

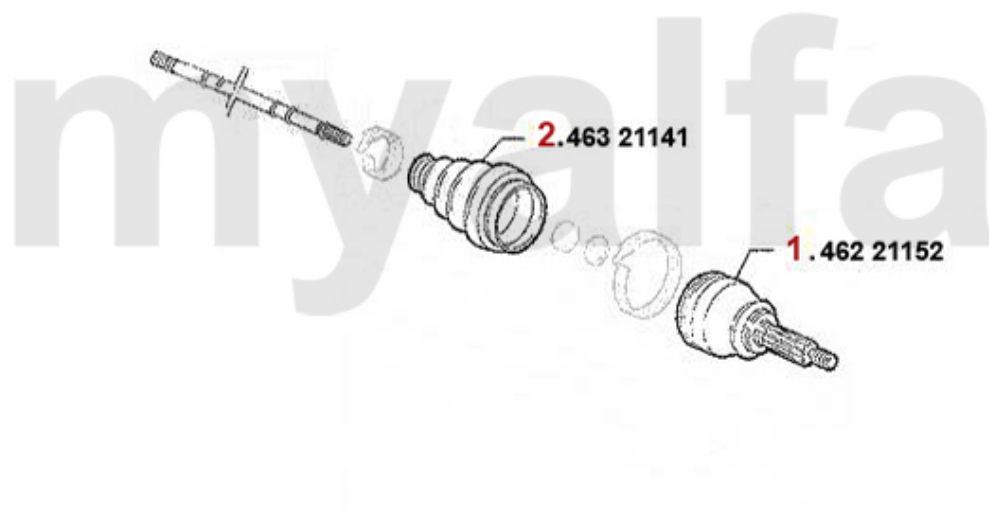
# Antriebswelle/Driveshaft 166 3.0 V6 24V



<b>1</b>	<b>46221151</b>	<b>Gelenksatz außen 156 1.8/1.8/2.0 16V TS,gtv (916) 1.8/2.0 TS/JTS Bj. 98&gt;,Nuovo GT</b>	<b>SEK1,387.50</b>
<b>2</b>	<b>46220273</b>	<b>INNER DRIVESHAFT JOINT Ri 166 6-Cyl.</b>	<b>SEK1,406.09</b>
<b>3</b>	<b>46261025</b>	<b>INNER DRIVESHAFT JOINT LE 166 6-Cyl.</b>	<b>SEK1,406.09</b>
<b>4</b>	<b>46321141</b>	<b>OUTER CV BOOT 166 6 CYLINDER/JTD 10V O.E. 82476458</b>	<b>SEK343.96</b>
<b>5</b>	<b>46326207</b>	<b>INNER CV BOOT GTV/SPIDER (916), 2.0 TS 1995-98, 155, 145/6, 166 6 CYLINDER O.E. 608</b>	<b>SEK262.38</b>

# Antriebswelle/Driveshaft 166 3.2 V6 24V

---



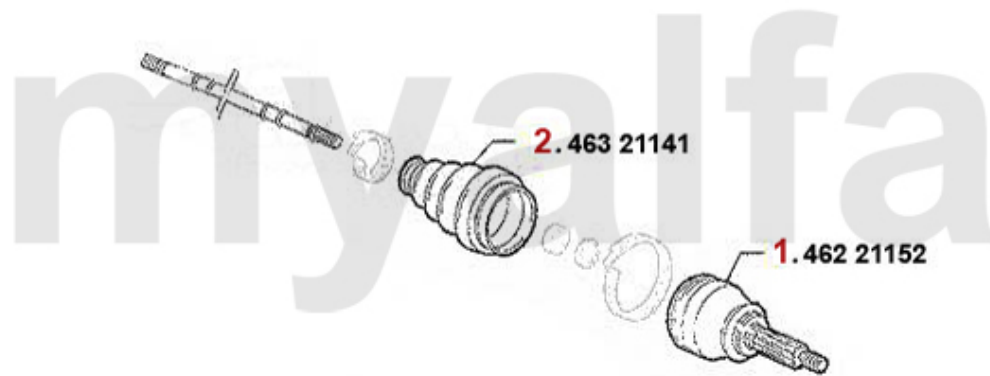
**1** 46221152 Gelenksatz außen 166 6-Zylinder/JTD 10V

**SEK1,490.04**

**2** 46321141 OUTER CV BOOT 166 6 CYLINDER/JTD 10V O.E. 82476458

**SEK343.96**

# Antriebswelle/Driveshaft 166 2.4 JTD 10V



**1 46221152 Gelenksatz außen 166 6-Zylinder/JTD 10V**

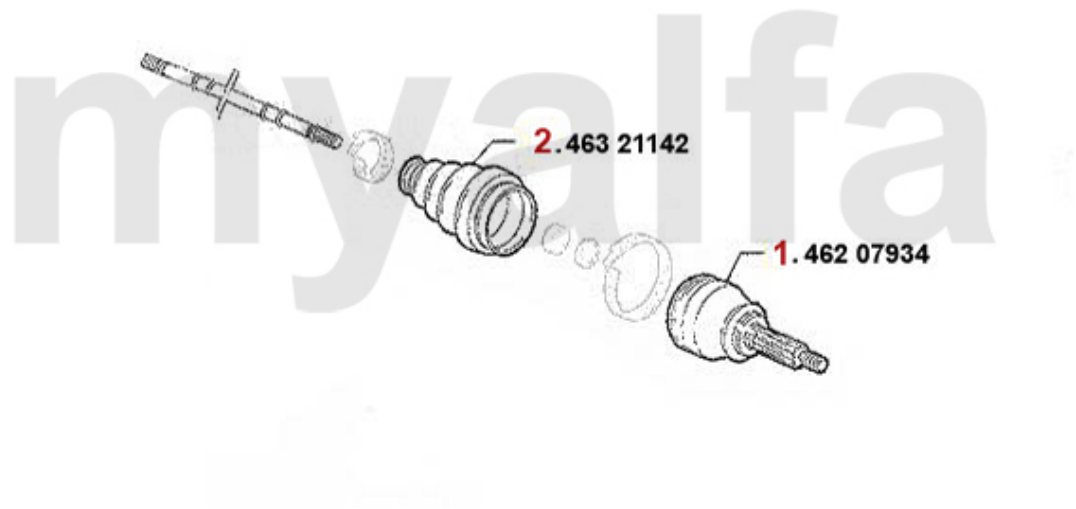
**SEK1,490.04**

**2 46321141 OUTER CV BOOT 166 6 CYLINDER/JTD 10V O.E. 82476458**

**SEK343.96**

# Antriebswelle/Driveshaft 166 2.4 JTD 20V

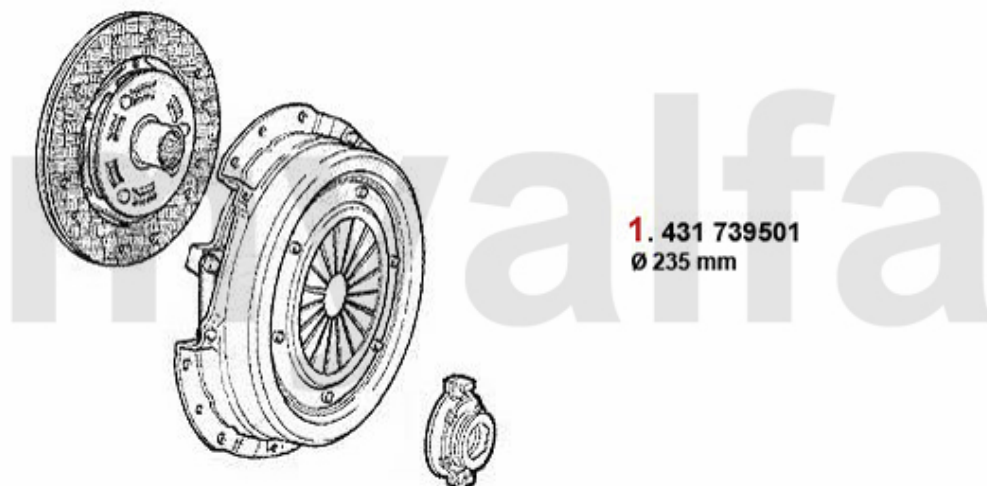
---



<b>1</b>	<b>4627934</b>	<b>OE. 46307934 CONST.VELLOCITY JOI 166 2.4 JTD 20V</b>	<b>SEK1,969.28</b>
<b>2</b>	<b>46321142</b>	<b>OE. 46307733 BOOT SET 147,156,gtv/spider (916),Nuovo GT 3.2 V6 24V/GTA</b>	<b>SEK383.64</b>

# Kupplungs-Kit/Clutch Set 166 2.0 TS

---



1 43139501 OE. 71735901 KIT CLUTCH 147, 156, Nuovo GT 1.9 JTD 16V, 166

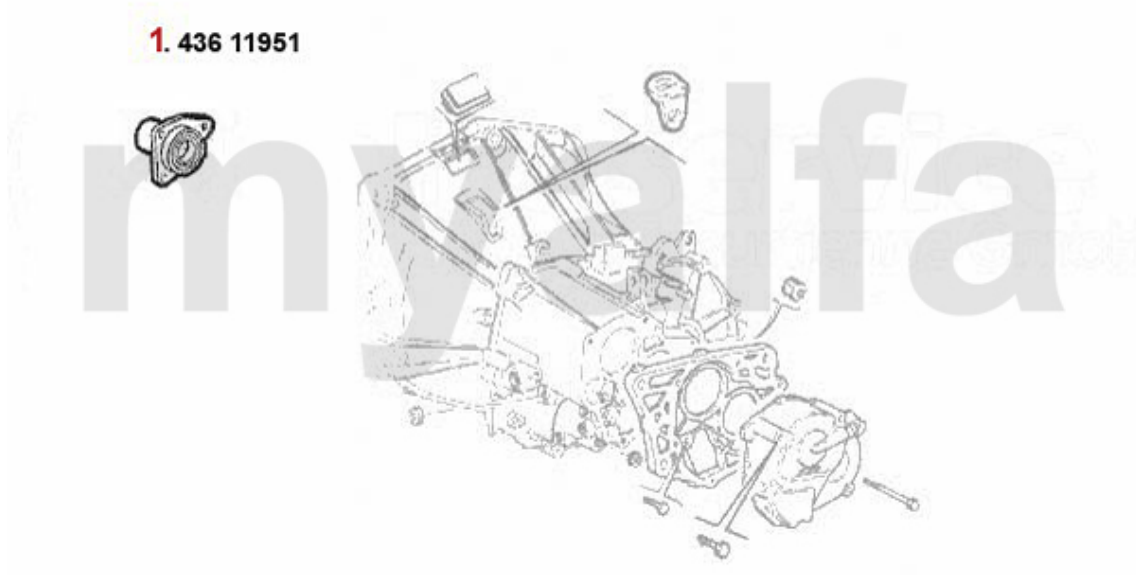
*On request*



# Ausrücker/Sleeve Bearing 166 2.0 TS

---

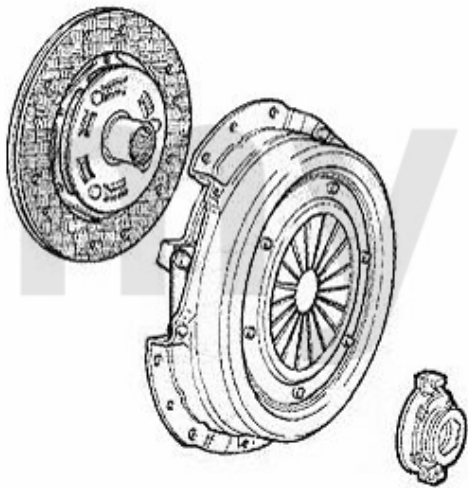
**1. 436 11951**



**1 43611951 OE.46411951 GUIDE SLEEVE RELEASE BEARING**

**SEK1,737.29**

# Kupplungs-Kit/Clutch Set 166 2.0 V6 Turbo



**1. 431 740355**  
Ø 235 mm

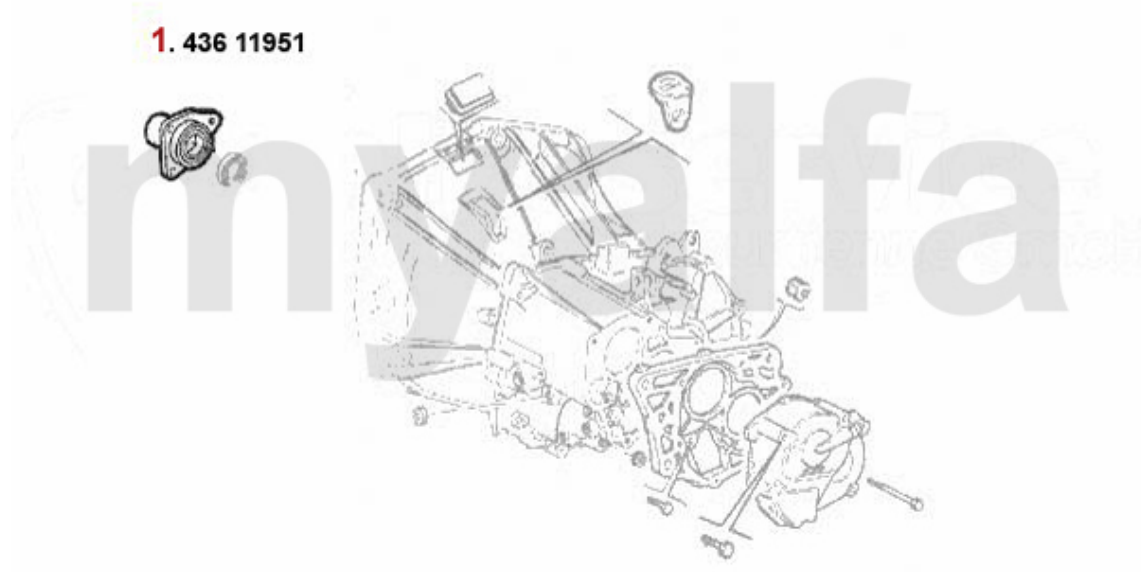
**1 431740355** Kupplungs-Kit 166 2.0 V6 Turbo, 3.2 V6 24V

**SEK358.19**

# Ausrücker/Sleeve Bearing 166 2.0 V6 Turbo

---

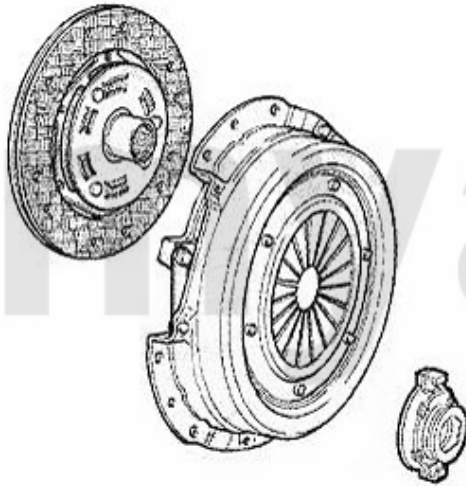
**1. 436 11951**



**1 43611951 OE.46411951 GUIDE SLEEVE RELEASE BEARING**

**SEK1,737.29**

# Kupplungs-Kit/Clutch Set 166 2.5 V6 24V



**1. 431 739490**  
Ø 235 mm

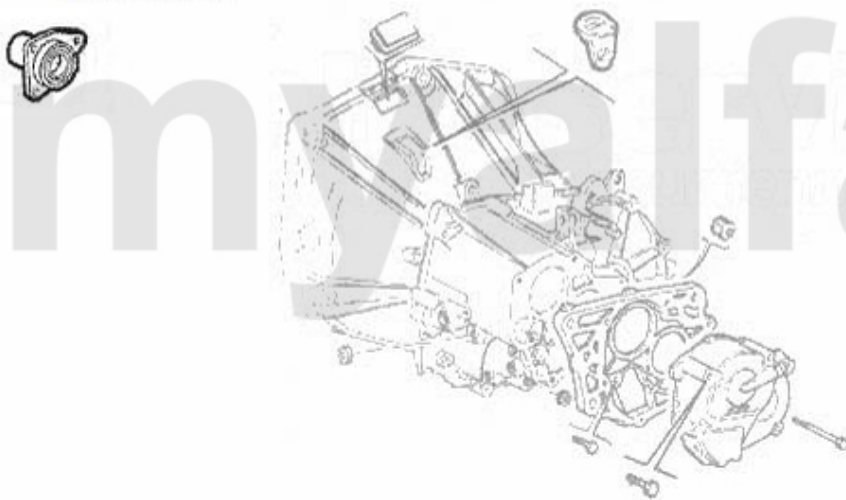
**1 43139490** OE.71739490 KIT CLUTCH 166 2.5/3.0 V6 24V

**SEK4,185.81**

# Ausrücker/Sleeve Bearing 166 2.5 V6 24V

---

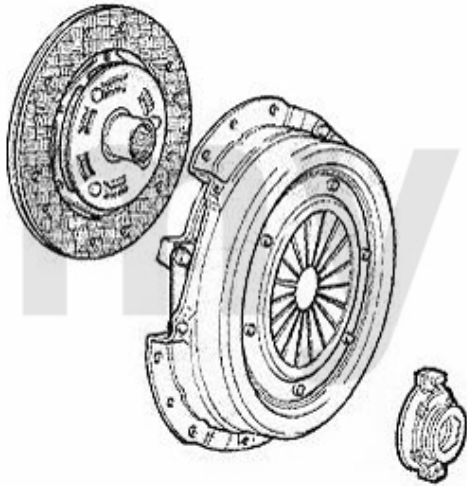
**1. 436 11951**



**1 43611951 OE.46411951 GUIDE SLEEVE RELEASE BEARING**

**SEK1,737.29**

# Kupplungs-Kit/Clutch Set 166 3.0 V6 24V



**1. 431 735943**  
Ø 235 mm

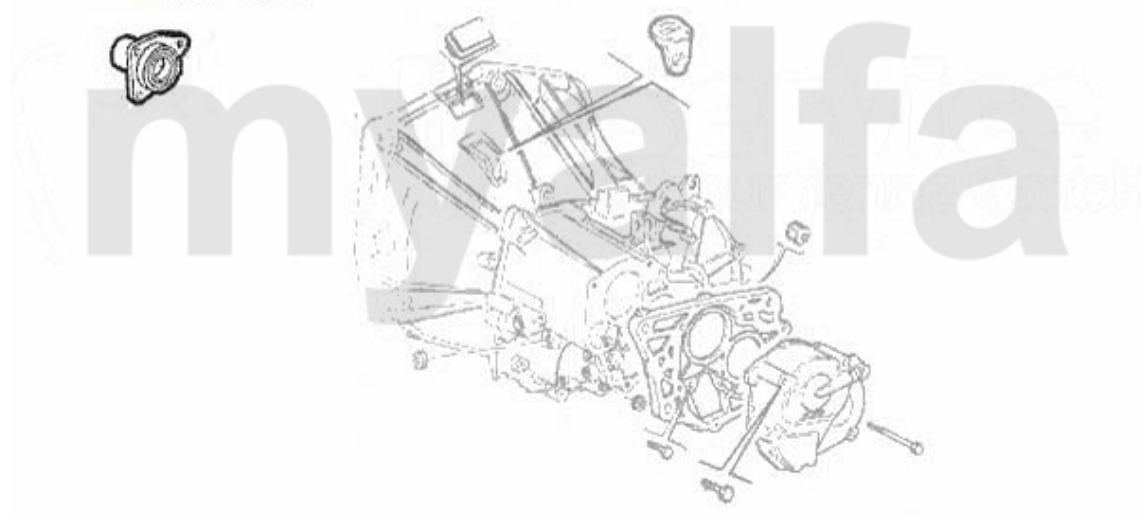
**1 43135943** OE. 71735943 CLUTCH KIT 166, gtv/spider (916) 3.0 V6 24V =

**SEK4,302.36**

# Ausrücker/Sleeve Bearing 166 3.0 V6 24V

---

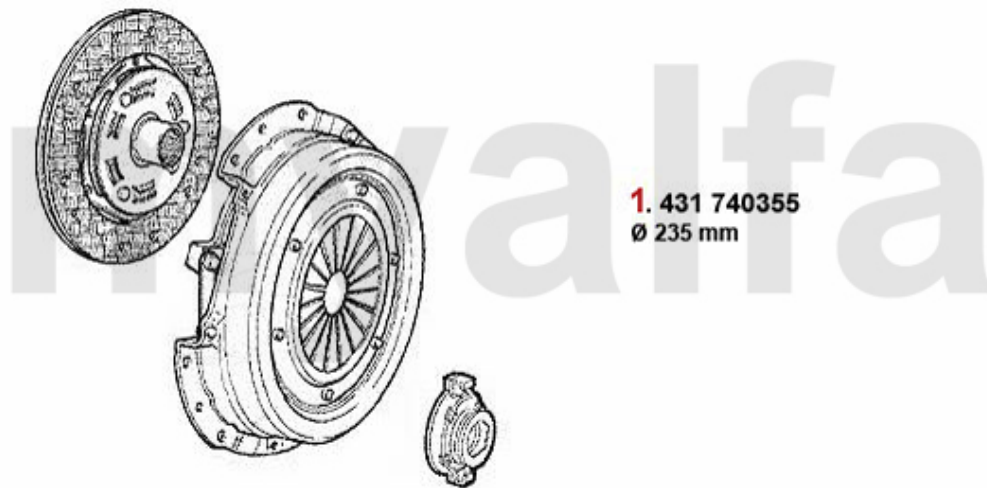
**1. 436 11951**



**1 43611951 OE.46411951 GUIDE SLEEVE RELEASE BEARING**

**SEK1,737.29**

# Kupplungs-Kit/Clutch Set 166 3.2 V6 24V



1 431740355 Kupplungs-Kit 166 2.0 V6 Turbo, 3.2 V6 24V

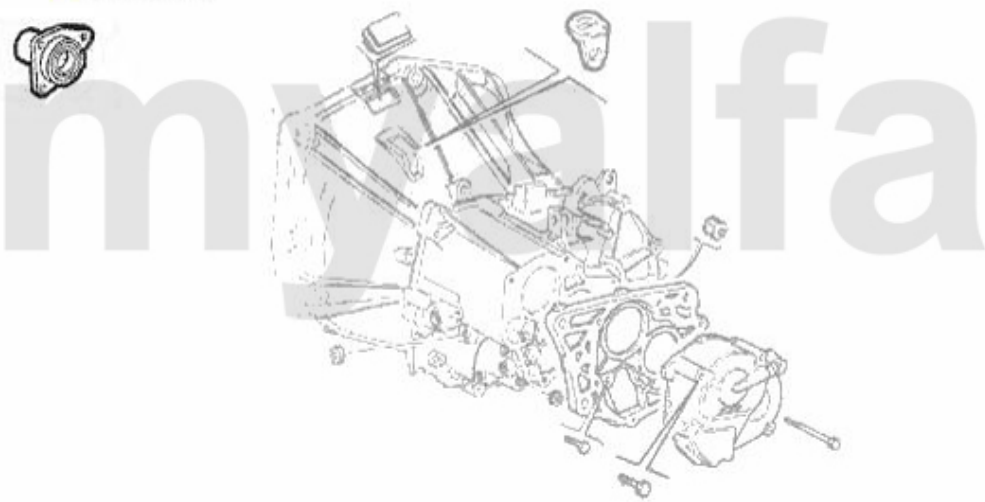
SEK358.19



# Ausrücker/Sleeve Bearing 166 3.2 V6 24V

---

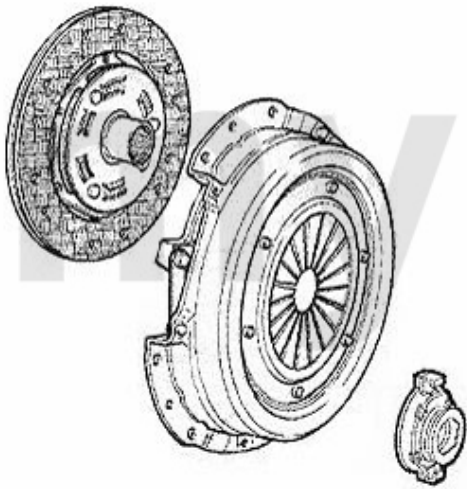
**1. 436 11951**



**1 43611951 OE.46411951 GUIDE SLEEVE RELEASE BEARING**

**SEK1,737.29**

# Kupplungs-Kit/Clutch Set 166 2.4 JTD 10V



**1. 431 734930**  
Ø 235 mm  
100/103 KW  
CF 2/3

**2. 431 739538**  
Ø 235 mm  
110 KW  
CF 3

**1 43134930** OE. 71734930 KIT CLUTCH 166 2.4 JTD 10V CF2/3 100/103 KW

**SEK4,209.12**

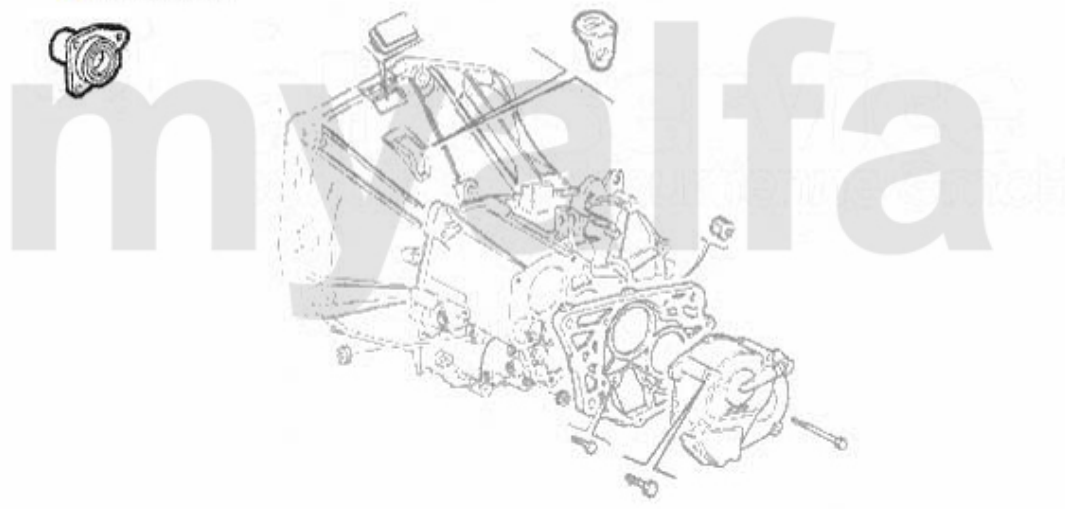
**2 43139538** OE. 71739538 KIT CLUTCH 166 2.4 JTD 10V CF3 110 KW

**SEK3,952.57**

# Ausrücker/Sleeve Bearing 166 2.4 JTD 10V

---

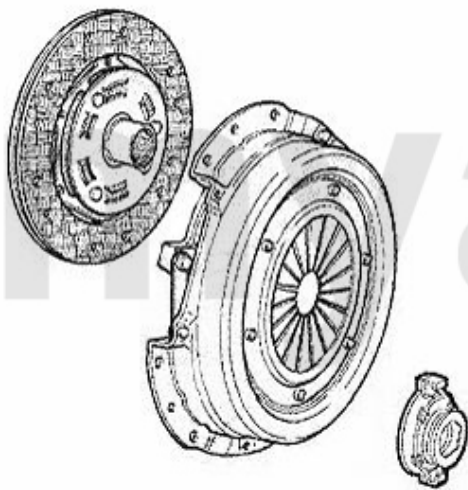
**1. 436 11951**



**1 43611951 OE.46411951 GUIDE SLEEVE RELEASE BEARING**

**SEK1,737.29**

# Kupplungs-Kit/Clutch Set 166 2.4 JTD 20V



1. 431 192735

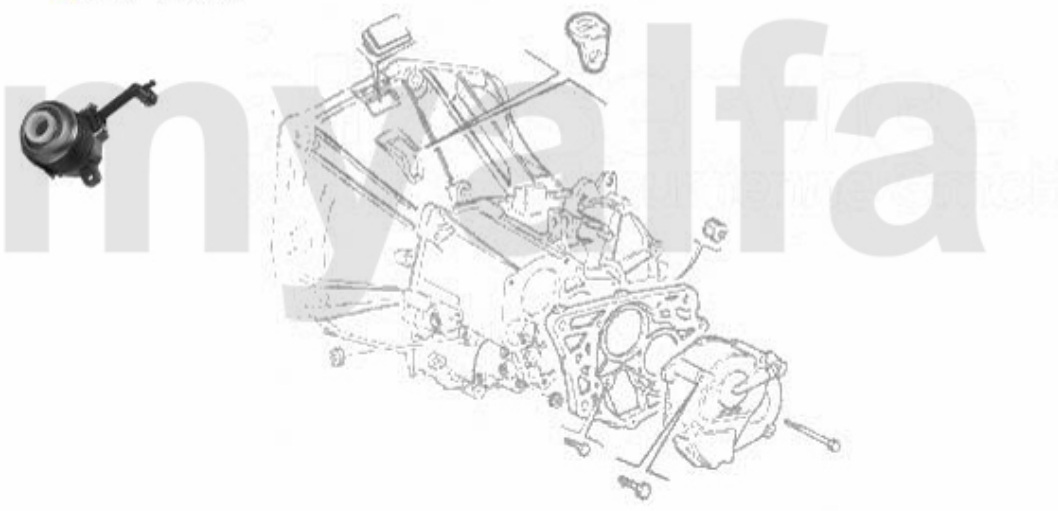
1 43192735 OE. 55192735 KIT CLUTCH 156, 166 2.4 JTD 20V

SEK3,824.37

# Ausrücker/Sleeve Bearing 166 2.4 JTD 20V

---

**1. 435 184529**



**1 43584529 OE. 55184529 ACTUATOR 156/166 2.4 JTD 20V**

**SEK815.02**

# Kupplungsbetätigung/Clutch Actuation 166 2.0 TS

---



<b>1</b>	<b>43837761</b>	<b>OE. 71737761/60653742 CLUTCH CYLINDER 166 2.0 TS, 2.5/3.2 V6 24V, 2.4 JTD 10V</b>	<b>SEK1,259.30</b>
<b>2</b>	<b>43823</b>	<b>CLUTCH SLAVE CYLINDER 155,16 6,GTV/SPIDER (916)</b>	<b>SEK687.92</b>

# Kupplungsbetätigung/Clutch Actuation 166 2.0 V6 Turbo

---



<b>1</b>	<b>43837761</b>	<b>OE. 71737761/60653742 CLUTCH CYLINDER 166 2.0 TS, 2.5/3.2 V6 24V, 2.4 JTD 10V</b>	<b>SEK1,259.30</b>
<b>2</b>	<b>43823</b>	<b>CLUTCH SLAVE CYLINDER 155,16 6,GTV/SPIDER (916)</b>	<b>SEK687.92</b>

## Kupplungsbetätigung/Clutch Actuation 166 2.5 V6 24V

---



<b>1</b>	<b>43837761</b>	<b>OE. 71737761/60653742 CLUTCH CYLINDER 166 2.0 TS, 2.5/3.2 V6 24V, 2.4 JTD 10V</b>	<b>SEK1,259.30</b>
<b>2</b>	<b>43823</b>	<b>CLUTCH SLAVE CYLINDER 155,16 6,GTV/SPIDER (916)</b>	<b>SEK687.92</b>



# Kupplungsbetätigung/Clutch Actuation 166 3.0 V6 24V

---



<b>1</b>	<b>43837761</b>	<b>OE. 71737761/60653742 CLUTCH CYLINDER 166 2.0 TS, 2.5/3.2 V6 24V, 2.4 JTD 10V</b>	<b>SEK1,259.30</b>
<b>2</b>	<b>43823</b>	<b>CLUTCH SLAVE CYLINDER 155,16 6,GTV/SPIDER (916)</b>	<b>SEK687.92</b>

## Kupplungsbetätigung/Clutch Actuation 166 3.2 V6 24V

---



<b>1</b>	<b>43837761</b>	<b>OE. 71737761/60653742 CLUTCH CYLINDER 166 2.0 TS, 2.5/3.2 V6 24V, 2.4 JTD 10V</b>	<b>SEK1,259.30</b>
<b>2</b>	<b>43823</b>	<b>CLUTCH SLAVE CYLINDER 155,16 6,GTV/SPIDER (916)</b>	<b>SEK687.92</b>

## Kupplungsbetätigung/Clutch Actuation 166 2.4 JTD 10V

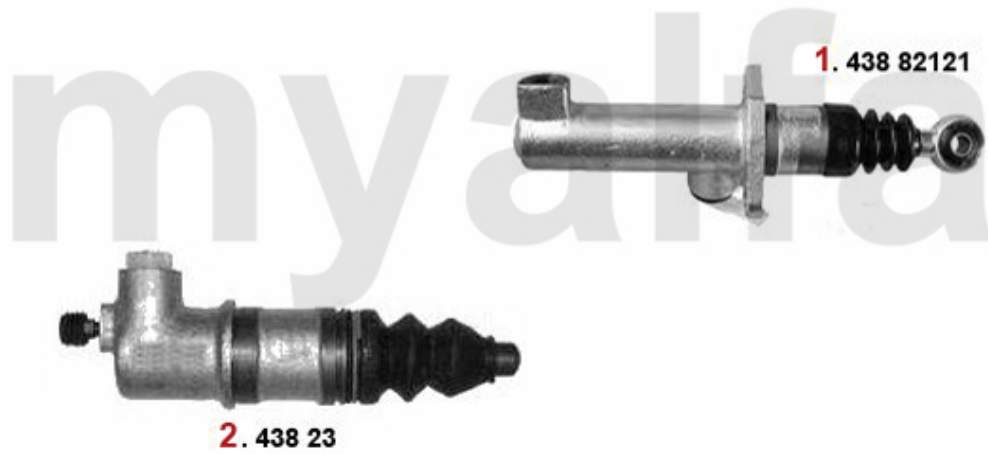
---



<b>1</b>	<b>43837761</b>	<b>OE. 71737761/60653742 CLUTCH CYLINDER 166 2.0 TS, 2.5/3.2 V6 24V, 2.4 JTD 10V</b>	<b>SEK1,259.30</b>
<b>2</b>	<b>43823</b>	<b>CLUTCH SLAVE CYLINDER 155,16 6,GTV/SPIDER (916)</b>	<b>SEK687.92</b>

## Kupplungsbetätigung/Clutch Actuation 166 2.4 JTD 20V

---



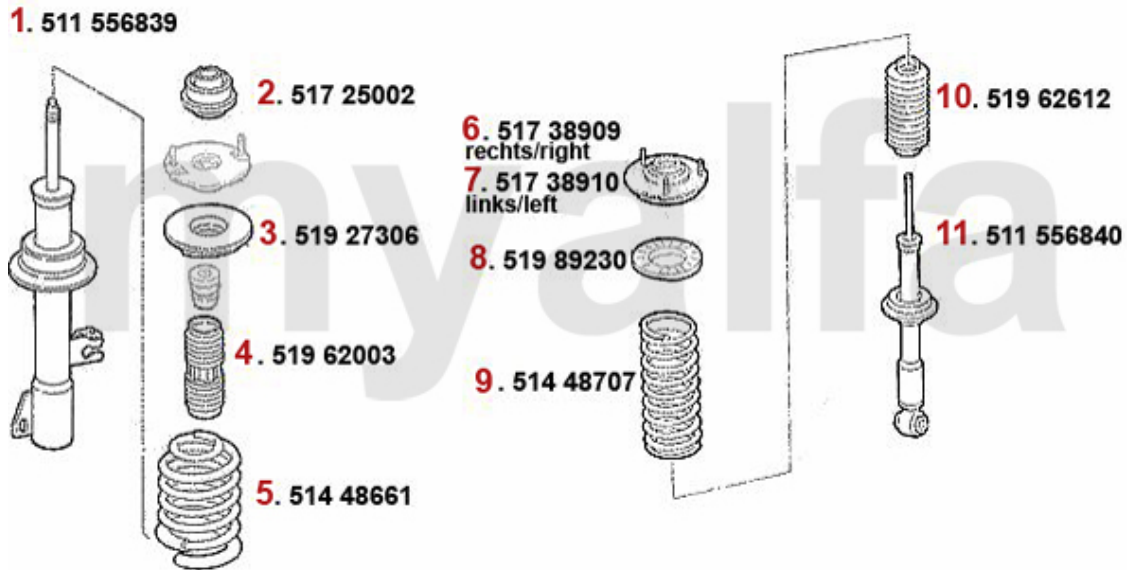
**1 43882121** OE. 55182121 CLUTCH CYLINDER 166 2.4 JTD 20V

*On request*

**2 43823** CLUTCH SLAVE CYLINDER 155,16 6,GTV/SPIDER (916)

*SEK687.92*

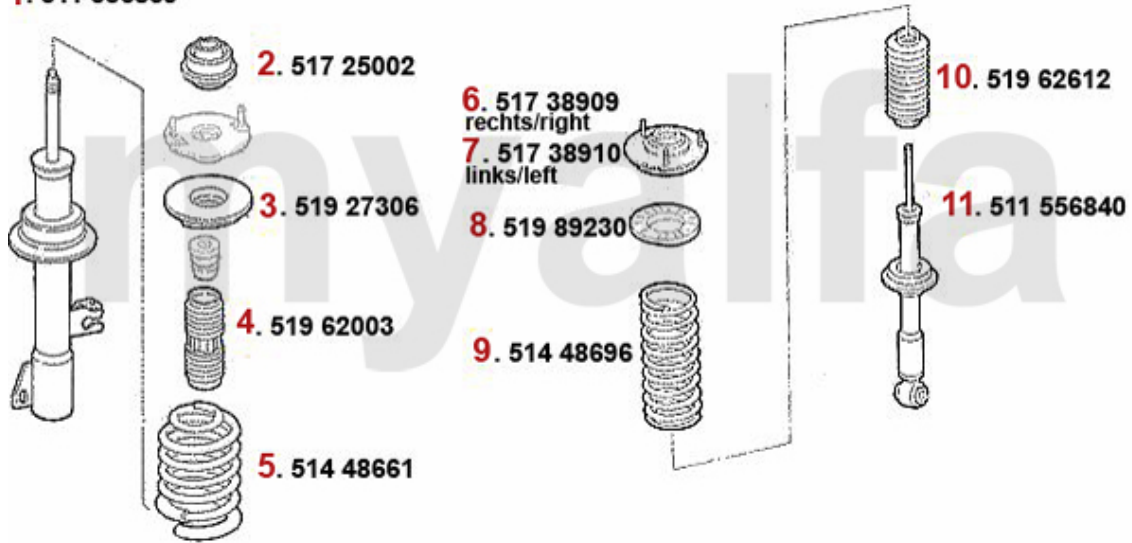
# Federbeine/Struts 166 2.0 TS



<b>1</b>	<b>51156839</b>	<b>OE. 60663050 FRONT STRUT</b>	<b>SEK1,853.84</b>
<b>2</b>	<b>51725002</b>	<b>OE. 60625002 UPPER STRUT BEARING</b>	<b>SEK274.03</b>
<b>3</b>	<b>51927306</b>	<b>OE. 60627306 RING</b>	<b>On request</b>
<b>4</b>	<b>51962003</b>	<b>OE. 60662003 RUBBER PAD</b>	<b>On request</b>
<b>5</b>	<b>51448661</b>	<b>OE. 60658366 SPRING FA 166 2.0 TS</b>	<b>SEK966.53</b>
<b>6</b>	<b>51738909</b>	<b>OE. 60629468 MOUNT</b>	<b>On request</b>
<b>7</b>	<b>51738910</b>	<b>OE. 60654300 MOUNT</b>	<b>On request</b>
<b>8</b>	<b>51989230</b>	<b>OE. 82489230 RUBBER PAD REAR SPRING 166</b>	<b>On request</b>
<b>9</b>	<b>51448707</b>	<b>OE. 60665036 SPRING RA 166 2.0 TS, 2.4 JTD</b>	<b>SEK1,064.49</b>
<b>11</b>	<b>51156840</b>	<b>OE. 60658387 REAR STRUT</b>	<b>SEK1,632.39</b>

# Federbeine/Struts 166 2.0 V6 Turbo

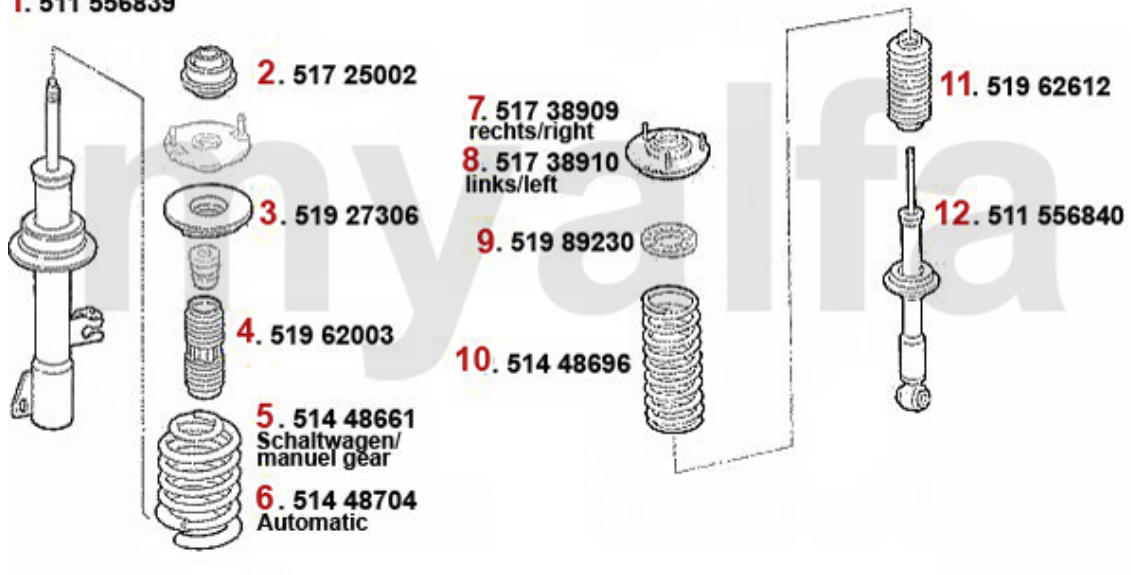
1. 511 556839



1	51156839	OE. 60663050 FRONT STRUT	SEK1,853.84
2	51725002	OE. 60625002 UPPER STRUT BEARING	SEK274.03
3	51927306	OE. 60627306 RING	On request
4	51962003	OE. 60662003 RUBBER PAD	On request
5	51448661	OE. 60658366 SPRING FA 166 2.0 TS	SEK966.53
6	51738909	OE. 60629468 MOUNT	On request
7	51738910	OE. 60654300 MOUNT	On request
8	51989230	OE. 82489230 RUBBER PAD REAR SPRING 166	On request
9	51448696	OE. 60655024 SPRING RA 166	SEK921.16
11	51156840	OE. 60658387 REAR STRUT	SEK1,632.39

# Federbeine/Struts 166 2.5 V6 24V

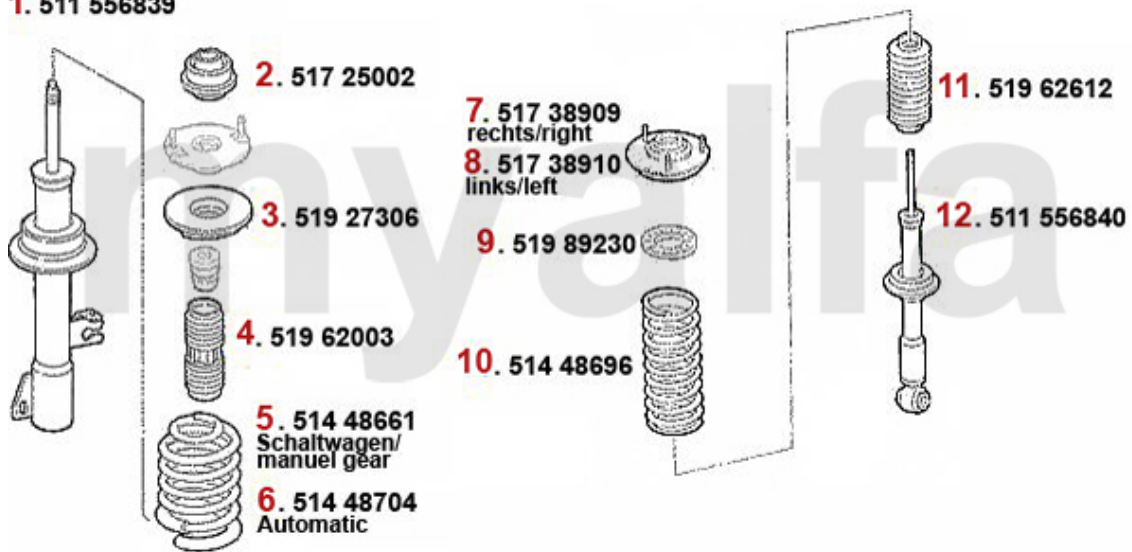
1. 511 556839



1	51156839	OE. 60663050 FRONT STRUT	SEK1,853.84
2	51725002	OE. 60625002 UPPER STRUT BEARING	SEK274.03
3	51927306	OE. 60627306 RING	On request
4	51962003	OE. 60662003 RUBBER PAD	On request
5	51448661	OE. 60658366 SPRING FA 166 2.0 TS	SEK966.53
6	51448704	OE. 60658367 FRONT SPRING	SEK1,037.71
7	51738909	OE. 60629468 MOUNT	On request
8	51738910	OE. 60654300 MOUNT	On request
9	51989230	OE. 82489230 RUBBER PAD REAR SPRING 166	On request
10	51448696	OE. 60655024 SPRING RA 166	SEK921.16
12	51156840	OE. 60658387 REAR STRUT	SEK1,632.39

# Federbeine/Struts 166 3.0 V6 24V

1. 511 556839

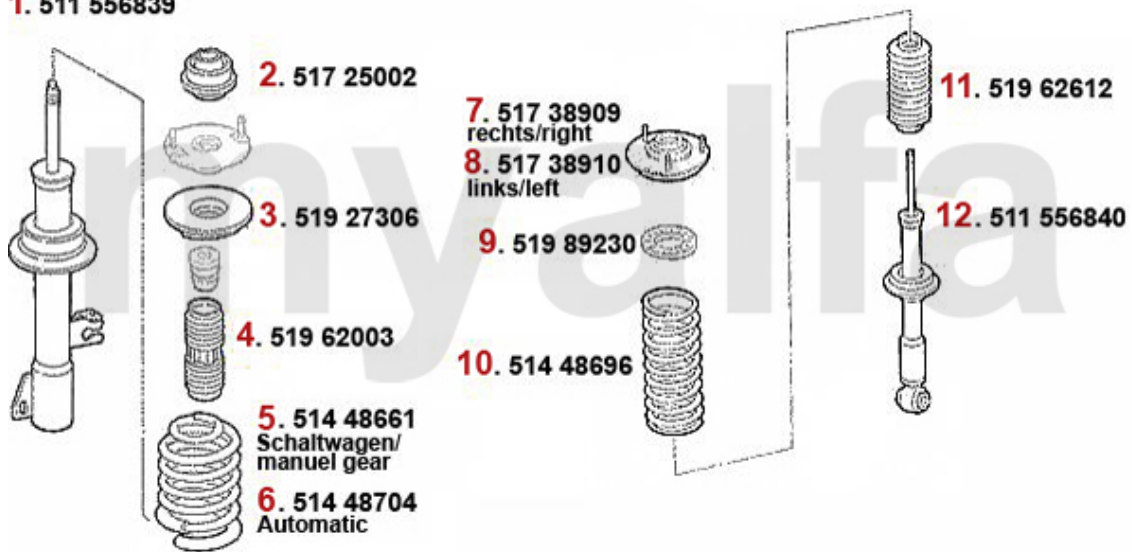


1	51156839	OE. 60663050 FRONT STRUT	SEK1,853.84
2	51725002	OE. 60625002 UPPER STRUT BEARING	SEK274.03
3	51927306	OE. 60627306 RING	On request
4	51962003	OE. 60662003 RUBBER PAD	On request
5	51448661	OE. 60658366 SPRING FA 166 2.0 TS	SEK966.53
6	51448704	OE. 60658367 FRONT SPRING	SEK1,037.71
7	51738909	OE. 60629468 MOUNT	On request
8	51738910	OE. 60654300 MOUNT	On request
9	51989230	OE. 82489230 RUBBER PAD REAR SPRING 166	On request
10	51448696	OE. 60655024 SPRING RA 166	SEK921.16
12	51156840	OE. 60658387 REAR STRUT	SEK1,632.39



# Federbeine/Struts 166 3.2 V6 24V

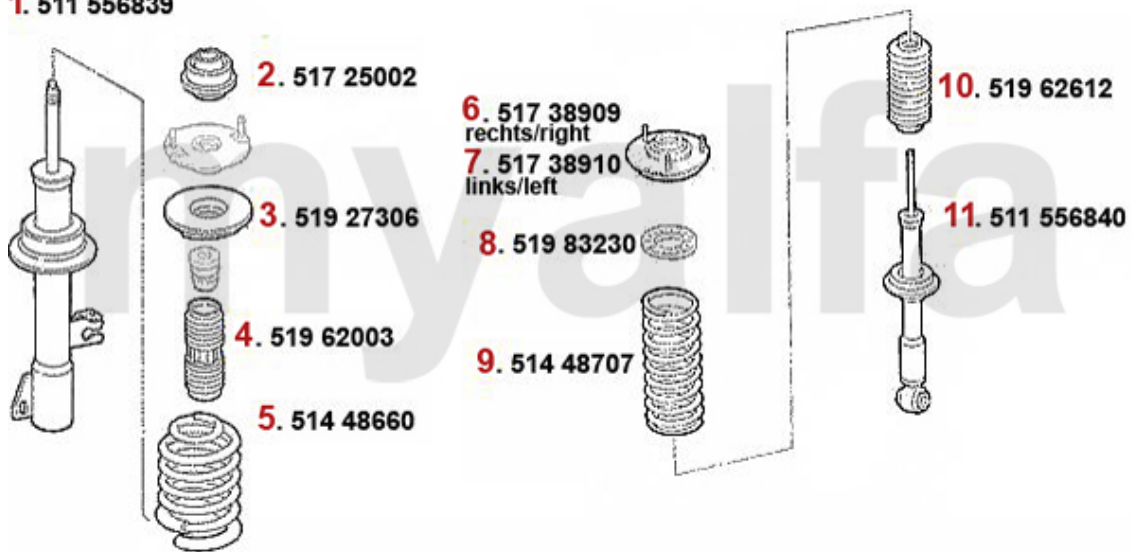
1. 511 556839



1	51156839	OE. 60663050 FRONT STRUT	SEK1,853.84
2	51725002	OE. 60625002 UPPER STRUT BEARING	SEK274.03
3	51927306	OE. 60627306 RING	On request
4	51962003	OE. 60662003 RUBBER PAD	On request
5	51448661	OE. 60658366 SPRING FA 166 2.0 TS	SEK966.53
6	51448704	OE. 60658367 FRONT SPRING	SEK1,037.71
7	51738909	OE. 60629468 MOUNT	On request
8	51738910	OE. 60654300 MOUNT	On request
9	51989230	OE. 82489230 RUBBER PAD REAR SPRING 166	On request
10	51448696	OE. 60655024 SPRING RA 166	SEK921.16
12	51156840	OE. 60658387 REAR STRUT	SEK1,632.39

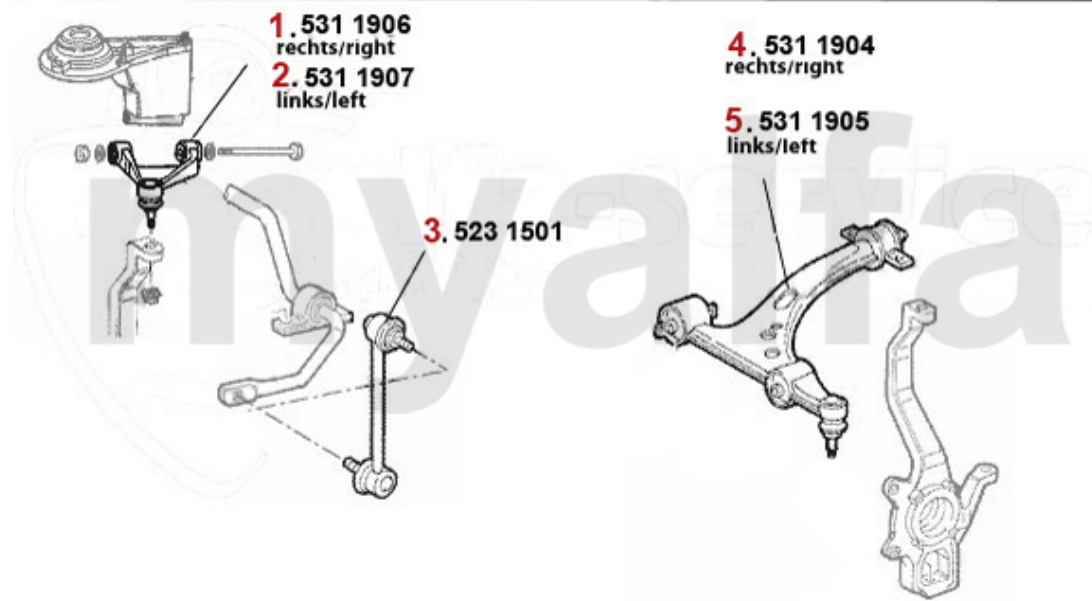
# Federbeine/Struts 166 2.4 JTD

1. 511 556839



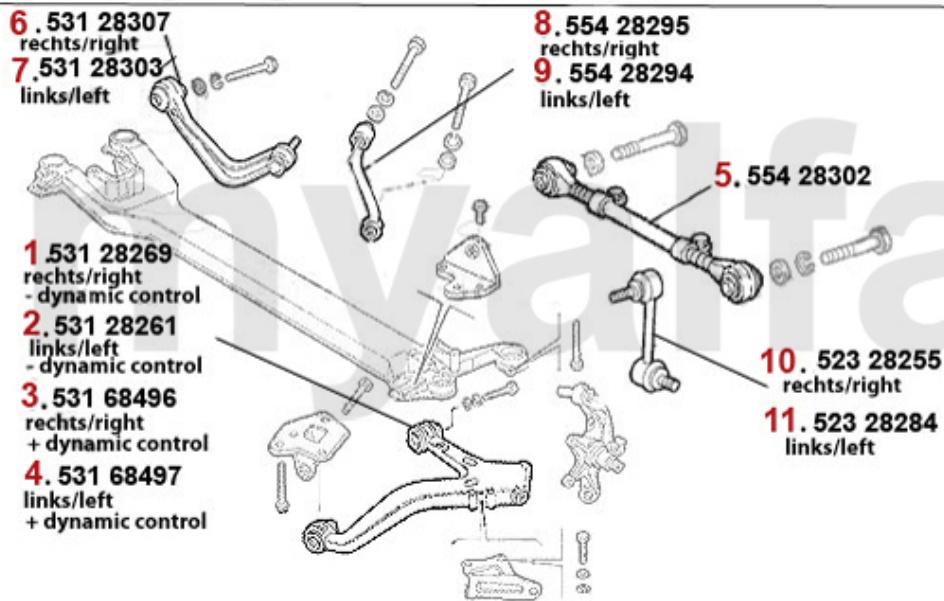
1	51156839	OE. 60663050 FRONT STRUT	SEK1,853.84
2	51725002	OE. 60625002 UPPER STRUT BEARING	SEK274.03
3	51927306	OE. 60627306 RING	On request
4	51962003	OE. 60662003 RUBBER PAD	On request
5	51448660	OE. 60658366 SPRING FA 166	SEK1,064.49
6	51738909	OE. 60629468 MOUNT	On request
7	51738910	OE. 60654300 MOUNT	On request
8	51989230	OE. 82489230 RUBBER PAD REAR SPRING 166	On request
9	51448707	OE. 60665036 SPRING RA 166 2.0 TS, 2.4 JTD	SEK1,064.49
11	51156840	OE. 60658387 REAR STRUT	SEK1,632.39

# Aufhängung/Attachment 166 vorne/front



<b>1</b>	<b>5311906</b>	<b>OE. 60653552 UPPER CONTROL ARM</b>	<b>SEK1,107.64</b>
<b>2</b>	<b>5311907</b>	<b>OE. 60653551 UPPER CONTROL ARM</b>	<b>SEK1,107.64</b>
<b>3</b>	<b>5231501</b>	<b>Stabilisatorstange/Pendelstütze 166 VA</b>	<b>SEK353.26</b>
<b>4</b>	<b>5311904</b>	<b>OE. 60695896 LOWER CONTROL ARM</b>	<b>SEK2,249.14</b>
<b>5</b>	<b>5311905</b>	<b>OE. 60695895 LOWER CONTROL ARM</b>	<b>SEK2,249.14</b>

# Aufhängung/Attachment 166 hinten/rear



1	53128269	OE. 60628269 SWINGING ARM 166 RR "wo. ""DYNMIC CONTROL""	On request
2	53128261	OE. 60628261 SWINGING ARM RL 166 "wo. ""DYNAMIC CONTROL""	On request
3	53168496	OE. 60668496 SWINGING ARM RR 166 "w. ""DYNAMIC CONTROL""	On request
4	53168497	OE. 60668497 SWINGING ARM RL 166 "w. ""DYNAMIC CONTROL""	On request
5	55428302	OE. 60628302 ROD REAR 166 L/R	SEK1,107.64
6	53128307	OE. 60628307 ROD RR 166	SEK1,270.95
7	53128303	OE. 60628303 ROD RL 166	SEK1,270.95
8	55428295	OE. 60628295 ROD RR 166	SEK804.47
9	55428294	OE. 60628294 ROD 166 RL	SEK804.47
10	52328255	Pendelstütze HR 166	SEK209.93
11	52328284	Pendelstütze HL 166	SEK209.93

# Radlager/Wheel Bearing 166

vorne/front:



hinten/rear:



- |   |          |                            |
|---|----------|----------------------------|
| 1 | 54416025 | OE. 60671437 WHEEL BEARING |
| 2 | 54388206 | OE. 778206 FRONTHUB 166    |
| 3 | 54316027 | OE. 51754195 WHEEL HUB     |

- |             |
|-------------|
| SEK1,743.12 |
| On request  |
| SEK2,273.70 |

# Lenkung/Steering 166

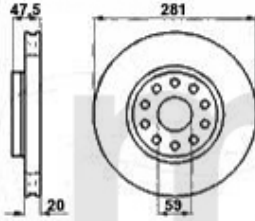
---



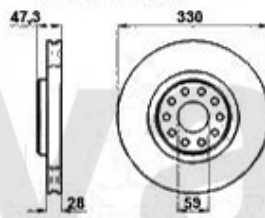
<b>1</b>	<b>5541103</b>	<b>Spurstangenkopf links 147,156 166</b>	<b>SEK443.03</b>
<b>2</b>	<b>5541102</b>	<b>Spurstangenkopf rechts 147 156,166</b>	<b>SEK443.03</b>
<b>3</b>	<b>55591005</b>	<b>STEERING BOOT 147, 156, 166</b>	<b>SEK274.03</b>

# Bremsscheiben/Brakedisks 166

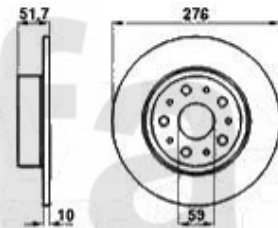
**1. 610 140251**  
2.0 TS/2.4 JTD 8V  
vorne/front  
belüftet/ventil.



**2. 610 102351**  
6-Cyl./2.4 JTD 20V  
vorne/front  
belüftet/ventil.



**3. 610 140315**  
hinten/rear



**1 61040251 Bremsscheibe VA 166 2.0 TS/2.4 JTD**

**On request**

**2 61002351 Bremsscheibe VA 166 2.0 V6 turbo/ 2.5/3.0/V6 24V**

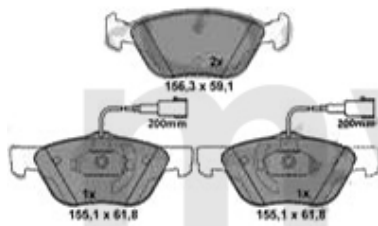
**SEK1,286.07**

**3 61040315 Bremsscheibe HA 166 alle**

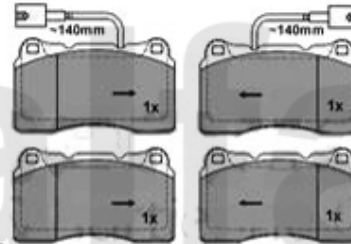
**On request**

# Brembeläge/Brakepads 166

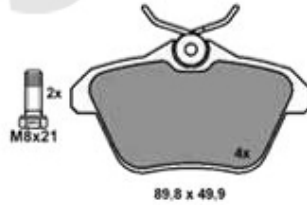
**1. 21637 188 05**  
2.0 TS/2.4 JTD 10V  
vorne/front



**2. 23092 160 05**  
6-Cyl/2,4 JTD 20V  
vorne/front



**3. 21606 166 24**  
hinten/rear



- |          |                 |  |                    |
|----------|-----------------|--|--------------------|
| <b>1</b> | <b>21618805</b> | <b>SBB VA mit We 166 2.0 TS/2.4 JTD Bj. 09.98&gt; Bremssystem: Ate</b> | <b>SEK1,125.12</b> |
| <b>2</b> | <b>23016005</b> | <b>OE. 77363328 FRONT BRAKE PADS 166</b>                               | <b>SEK1,182.29</b> |
| <b>3</b> | <b>21616624</b> | <b>OE. 71712910 REAR BRAKE PADS</b>                                    | <b>SEK729.96</b>   |



# Bremszangen/Calipers 166



**1. 661 48204**  
links/left  
vorne/front  
2.0 TS/2.4 JTD 10V

**2. 661 48208**  
rechts/right  
vorne/front  
2.0 TS/2.4 JTD 10V



**3. 661 48339**  
links/left  
vorne/front  
V6 24V/2.4 JTD 20V

**4. 661 48340**  
rechts/right  
vorne/front  
V6 24V/2.4 JTD 20V



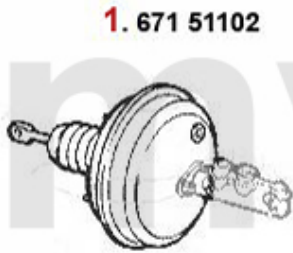
**5. 661 47885**  
links/left  
hinten/rear

**6. 661 47896**  
rechts/right  
hinten/rear



<b>1</b>	<b>66148204</b>	<b>OE. 9948204 BRAKE CALIPER FL 166 2.0 TS/ 2.4 JTD 10V</b>	<b>SEK3,486.23</b>
<b>2</b>	<b>66148208</b>	<b>OE. 9948208 BRAKE CALIPER FR 166 2.0 TS/ 2.4 JTD 10V</b>	<b>SEK3,486.23</b>
<b>3</b>	<b>66148339</b>	<b>OE. 9948339 F.BRK.CAL.W/O PAD L 166 V6/ 24V/2.4 JTD 20V</b>	<b>SEK4,535.60</b>
<b>4</b>	<b>66148340</b>	<b>OE. 9948340 F.BRK.CAL.W/O PAD R 166 V6/ 24V/2.4 JTD 20V</b>	<b>SEK4,535.60</b>
<b>5</b>	<b>66147885</b>	<b>OE. 9947885 BRAKE CALIPER RL</b>	<b>SEK2,260.79</b>
<b>6</b>	<b>66147896</b>	<b>OE. 9947896 BRAKE CALIPER RR</b>	<b>SEK2,260.79</b>

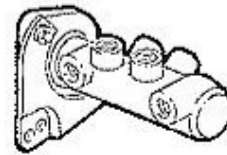
## BKV/Hauptbremszylinder/Brakeservo/Brake master cylinder 166



**2. 672 8218**  
-dynamic control



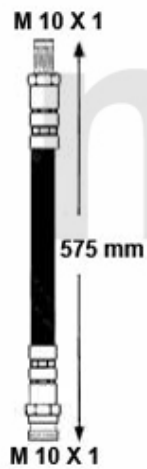
**3. 672 9166**  
+dynamic control



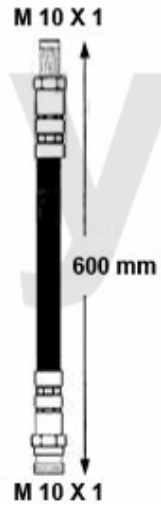
<b>1</b>	<b>67151102</b>	<b>Bremskraftverstärker 166 ACHTUNG: wird nur ohne HBZ geliefert</b>	<b>SEK4,366.60</b>
<b>2</b>	<b>6728218</b>	<b>OE. 9948218 BRAKE MASTER CYLINDER 166 without DYNAMIC</b>	<b>SEK2,865.88</b>
<b>3</b>	<b>6729166</b>	<b>OE. 9949166 BRAKE MASTER CYLINDER 166 with DYNAMIC</b>	<b>SEK2,361.11</b>

# Bremsschlauch/Brake Hose 166

**1. 676 511920**  
vorne/front  
4-Cyl./JTD



**2. 676 511921**  
vorne/front  
6-Cyl.



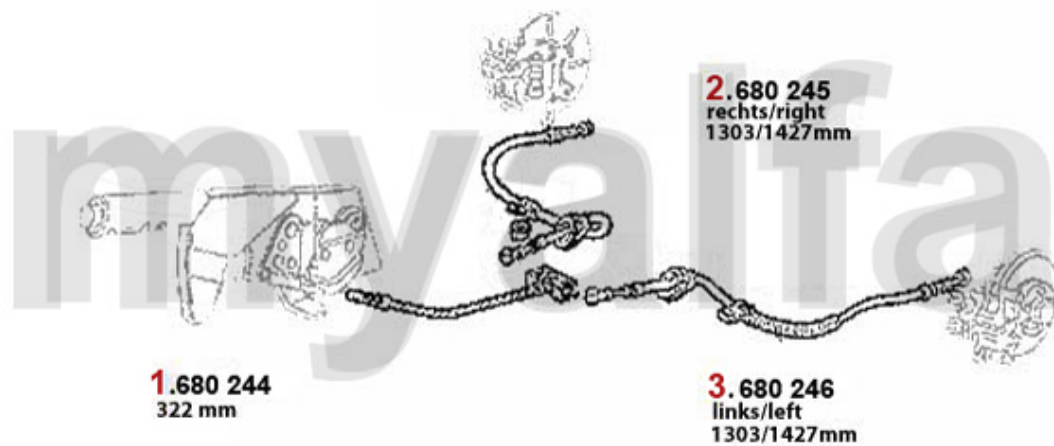
**3. 676 511919**  
hinten/rear



- |          |                 |   |                  |
|----------|-----------------|---|------------------|
| <b>1</b> | <b>67611920</b> | <b>OE. 60651554 FRONT BRAKE HOSE 166 4-CYLINDER AND JTD</b> | <b>SEK303.17</b> |
| <b>2</b> | <b>67611921</b> | <b>FRONT BRAKE HOSE 166 V6</b>                              | <b>SEK268.20</b> |
| <b>3</b> | <b>67611919</b> | <b>OE. 60651567 REAR BRAKE HOSE 166</b>                     | <b>SEK343.96</b> |

# Handbremsseil/Brake Cable 166

---



<b>1</b>	<b>680244</b>	<b>HAND BRAKE CABLE 166, FRONT</b>	<b>SEK174.27</b>
<b>2</b>	<b>680245</b>	<b>HAND BRAKE CABLE 166, RIGHT</b>	<b>SEK472.17</b>
<b>3</b>	<b>680246</b>	<b>HAND BRAKE CABLE 166, LEFT</b>	<b>SEK437.20</b>

# Zündanlage/Ignition System 166 TS



<b>1</b>	<b>812297</b>	<b>OE. 46755605 COIL</b>	<b>SEK1,106.53</b>
<b>2</b>	<b>8181538</b>	<b>IGNITION WIRE SET 145/6 1.4/1.6/1.8/2.0/ ie 16V TS Bj.1997&gt;, 155 1.6/1.8/2.0 ie 16V TS, gtv/spider (916) 1.8</b>	<b>SEK2,157.01</b>
<b>3</b>	<b>BKR6EKPA</b>	<b>OE. 46521529 SPARK PLUG</b>	<b>SEK383.64</b>
<b>4</b>	<b>PMR7A</b>	<b>OE. 46521530 SPARK PLUG</b>	<b>SEK326.48</b>

# Zündanlage/Ignition System 166 V6 Turbo

1. 818 230



2. BP 6 ES



1	812230	OE. 60564142 COIL V6
2	BP6ES	OE. 71736278 SPARK PLUG NGK

*On request*

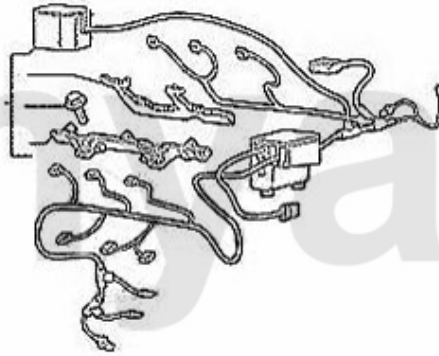
*SEK57.17*

# Zündanlage/Ignition System 166 V6 24V

1. 812 213



2. 818 91046



3. PFR 6 B



1	812213	OE. 60562701 Coil	SEK1,223.08
2	81891046	IGNITION CABLE SET V6 24V CF3	On request
3	PFR6B	OE. 60579903 SPARK PLUG NGK	SEK215.76

# Aggregate/Aggregats 166 2.0 TS

---

**1. 822 17775**



**2. 821 42780**  
100/105A



**1 82217775** OE.60620761 STARTER 145/6 1.4 ie,2.0ie 16V TS, 166  
2.0TS,gtvSpider(916) 2.0 16V TS

**SEK2,786.66**

**2 82142780** OE. 46769369 GENERATOR 105 A

**SEK3,708.93**



# Aggregate/Aggregats 166 2.0 V6 Turbo

---

**1. 822 15600**



**2. 821 41280  
120A**



**1 82215600 OE. 77274850 STARTER**

**SEK2,203.63**

**2 82141280 ALTERNATOR, 156,166 GTV/SPIDER(916) 6**

**SEK5,001.94**

# Aggregate/Aggregats 166 V6 24V

---

**1. 822 15600**



**2. 821 41280**  
120A  
>2004



**3. 821 73305**  
120A  
2004>



<b>1</b>	<b>82215600</b>	<b>OE. 77274850 STARTER</b>	<b>SEK2,203.63</b>
<b>2</b>	<b>82141280</b>	<b>ALTERNATOR, 156,166 GTV/SPIDER(916) 6</b>	<b>SEK5,001.94</b>
<b>3</b>	<b>82173305</b>	<b>OE. 60673305 ALTERNATOR 3.2 V6 24V - GTA</b>	<b>SEK3,019.89</b>

# Aggregate/Aggregats 166 2.4 JTD 10V

---

**1. 822 75650**



**2. 821 42780**  
100/105 A



**3. 821 89068**  
120 A



**1 82275650 STARTER 156,166 2.4 JTD**

**SEK3,136.44**

**2 82142780 OE. 46769369 GENERATOR 105 A**

**SEK3,708.93**

**3 82189068 OE. 46809068 ALTERNATOR 1.9 JTD 16V 147**

**SEK4,768.84**

# Aggregate/Aggregats 166 2.4 JTD 20V

1. 822 75650



2. 821 89068  
120 A



1 82275650 STARTER 156,166 2.4 JTD

SEK3,136.44

2 82189068 OE. 46809068 ALTERNATOR 1.9 JTD 16V 147

SEK4,768.84

<b>1</b>	<b>1721662</b>	<b>FLOOR MAT SET ALFA ROMEO 166 FROM 10.2003 ON, BLACK RED EMBLEM, VELOUR, LATEX ANTI SLIP</b>	<b>SEK757.85</b>
<b>2</b>	<b>1721661</b>	<b>FLOOR MAT SET 166 1998-2003</b>	<b>SEK757.85</b>

<b>1</b>	<b>9822260</b>	<b>BATTERY CHARGER AB-4 ABSAAR</b>	<b>SEK553.89</b>
<b>2</b>	<b>9822250</b>	<b>BATTERY LIFE SAFER</b>	<b>SEK448.86</b>
<b>3</b>	<b>8701130</b>	<b>BATTERY SWITCH / MASS POLE CLAMP</b>	<b>SEK92.13</b>

<b>1</b>	<b>1721662</b>	<b>FLOOR MAT SET ALFA ROMEO 166 FROM 10.2003 ON, BLACK RED EMBLEM, VELOUR, LATEX ANTI SLIP</b>	<b>SEK757.85</b>
<b>2</b>	<b>1721661</b>	<b>FLOOR MAT SET 166 1998-2003</b>	<b>SEK757.85</b>

