

# ***ALFA GIULIA GT BERTONE***

***All prices including tax, delivery costs are extra***

## Table Of Content

<b>BODY PARTS</b>	<b>7</b>
PANELS	7
FRONT 1	7
FRONT 2	8
FRONT FENDER	9
FLOORPANELS	10
SILLS	11
DOOR	12
SIDE PARTS	13
REAR	14
LIGHTS	15
HEADLIGHTS	15
INDICATORS	16
REAR LIGHTS 1300-1750	17
REAR LIGHTS 2000	18
BULBS	19
CHROME PARTS	20
BUMPER/GRILLE	20
FRONT	20
MIRROR	21
DOOR	22
REAR	23
HUB CAPS	24
RUBBER PARTS	25
SEALS FRONT/BACK	25
DOOR SEALS	26
DOOR	27
BODY SEALS	28
GLASS PARTS	29
GLASS PARTS	29
SIDE WINDOWS	30
SEALS FRONT/BACK	31
SEALS SIDE	32
DOORMECHANIC	33
EMBLEMS FRONT/REAR	34
SIDE EMBLEMS	35
EMBLEMS "BERTONE"	36
RIM EMBLEMS	37
SCRIPTS	38
TYPE PLATES 1	39
TYPE PLATES 2	40
<b>ENGINE</b>	<b>41</b>
CYLINDER HEAD	41
CYLINDER HEAD 1	41
CYLINDER HEAD 2	42

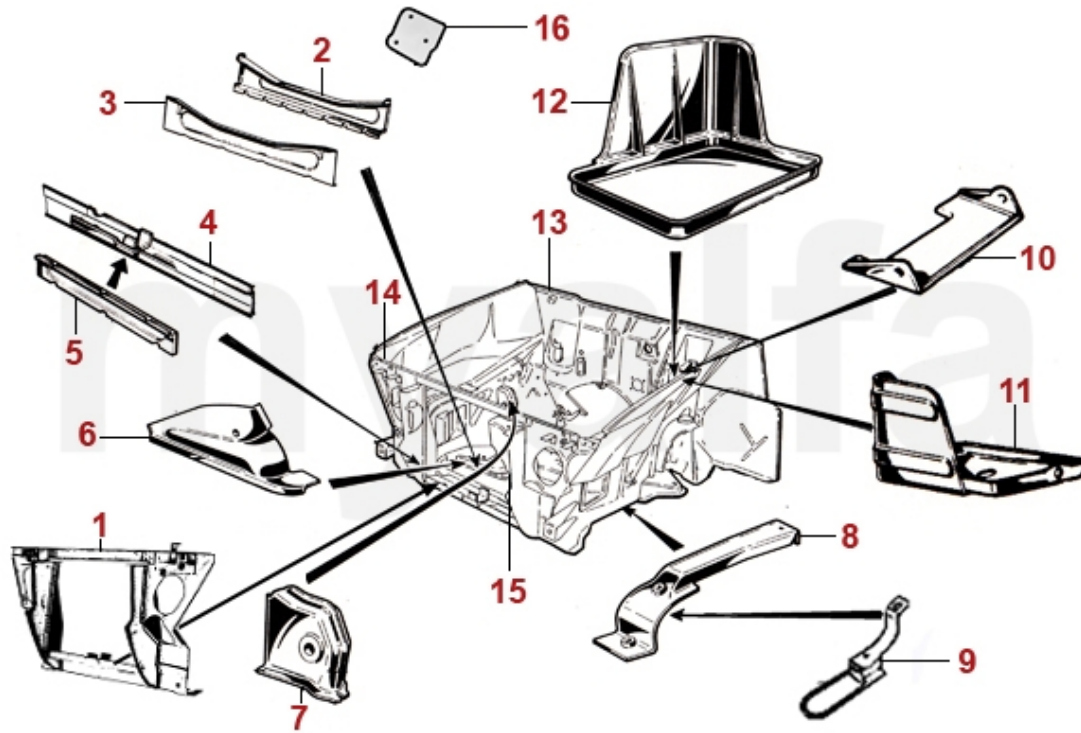
VALVE STEERING	43
VALVES	44
ENGINE BLOCK	45
ENGINE BLOCK/MOUNTS	45
PISTON/LINER	46
CON ROD/BEARING	47
CRANKSHAFT 1	48
CRANKSHAFT 2	49
OIL PAN	50
ENGINE GASKETS	51
ENGINE	51
CYLINDER HEAD	52
GASKET SETS	53
OILPAN	54
REINZ UNIVERSAL	55
<b>FILTER</b>	56
FUEL/OIL FILTERS	56
AIR FILTERS	57
<b>EXHAUST SYSTEM</b>	58
EXHAUST	58
ATTACHMENT PARTS	59
SPORTS EXHAUST	60
<b>FUEL SYSTEM</b>	61
CARBURETTOR MOUNTS 40mm	61
CARBURETTOR MOUNTS 45mm	62
CARBURETTORS AND PARTS	63
GASKET SETS	64
AIR NOZZLES / MAIN JETS	65
FUEL TANK	66
FUEL PUMP/ HOSES	67
ELECTRIC FUEL PUMP	68
SYNCHROMETER	69
<b>COOLING SYSTEM</b>	70
THERMOSTATS	70
HOSES	71
RADIATOR	72
WATERPUMPS	73
<b>HEATER/VENTILATION</b>	74
HEATER 1st SERIES	74
HEATER 2nd SERIES	75
<b>DRIVE TRAIN</b>	76
CLUTCH	76
MECHANICAL	76
HYDRAULIC	77
TRANSMISSION	78
GEARBOX	78
SYNCHRO RINGS/BEARINGS	79

COUNTERSHAFT	80
MOUNTING	81
PROPSHAFT	82
REAR AXLE	83
MOUNTING/LIMITED SLIP	83
WHEEL BEARING/DIFFERENTIAL	84
<b>BRAKES</b>	85
FRONT BRAKE	85
BRAKE DISCS/PADS	85
REAR BRAKE	86
BRAKE DISCS/PADS	86
BRAKE HYDRAULIC	87
BRAKE MASTERCYLINDER	87
BRAKE FLUID RESERVOIR	88
BRAKE BOOSTER	89
BRAKE LINES/HOSES	90
BRAKE CALIPERS	91
HAND BRAKE	92
<b>WHEEL SUSPENSION</b>	93
FRONT	93
SPRINGS/SHOCKS	93
HUB/BEARING	94
ARMS/BUSHINGS	95
STABILIZER	96
REAR	97
SPRINGS/SHOCKS	97
TRAILING ARMS/T-BAR	98
WHEEL BEARINGS / STUDS	99
WHEEL NUTS	100
WHEEL SPACERS	101
WHEELS	102
HUB CAPS	103
<b>STEERING</b>	104
STEERING BOX	104
TRACK RODS/ENDS	105
<b>ELECTRIC</b>	106
DISTRIBUTORS	106
DISTRIBUTOR PARTS MARELLI	107
DISTRIBUTOR PARTS BOSCH	108
LIGHT/INDICATOR SWITCHES	109
IGNITION SWITCHES	110
LEADS/SPARK PLUGS	111
STARTER/GENERATOR	112
BATTERY ATTACHMENTS	113
SWITCHES/SENSORS	114
PUSH/TOGGLE SWITCHES	115
INDICATOR LAMPS	116

WIRING HARNESS	117
ACCESSORIES	117
<b>WIPER SYSTEM</b>	<b>118</b>
WATER BAG	118
WIPERS	119
<b>CABLES</b>	<b>120</b>
OPENERS/CABLES	120
CABLES	121
PEDALS	122
PEDALS	123
<b>INTERIOR</b>	<b>124</b>
DASHBOARD	124
SHIFT KNOBS	125
SAFETY BELTS	126
HEADLINER/SUN VISOR/HAT REST	127
STEERING WHEELS	128
LEATHER EXCLUSIVE	128
EXCLUSIVE WOODEN 1	129
EXCLUSIVE WOODEN 2	130
NARDI STEERING WHEELS	131
ORIGINAL	132
GTA	133
STEERING HUBS	134
CONSOLE	135
SEAT COVERS	136
1750-2000	136
1300-1600	137
1300-1600	138
1963-66 SPRINT GT	139
1964-66 SPRINT GTC	140
1965-69 Sprint GTA	141
1965-68 SPRINT GTV	142
1966-73 GT JUNIOR	143
1967-69 1750 GTV	145
1968-75 GTA JUNIOR	146
1969-73 1750 GTV	147
1971-76 2000 GTV	148
1974-76 GT JUNIOR	149
SEAT PADS/BACKRESTS	150
1963-66 SPRINT GT	151
1965-68 SPRINT GTV	152
1964-66 SPRINT GTC	153
1966-73 GT JUNIOR	154
1967-69 1750 GTV	155
1968-75 GTA JUNIOR	156
1969-73 1750 GTV	157
1971-76 2000 GTV	158

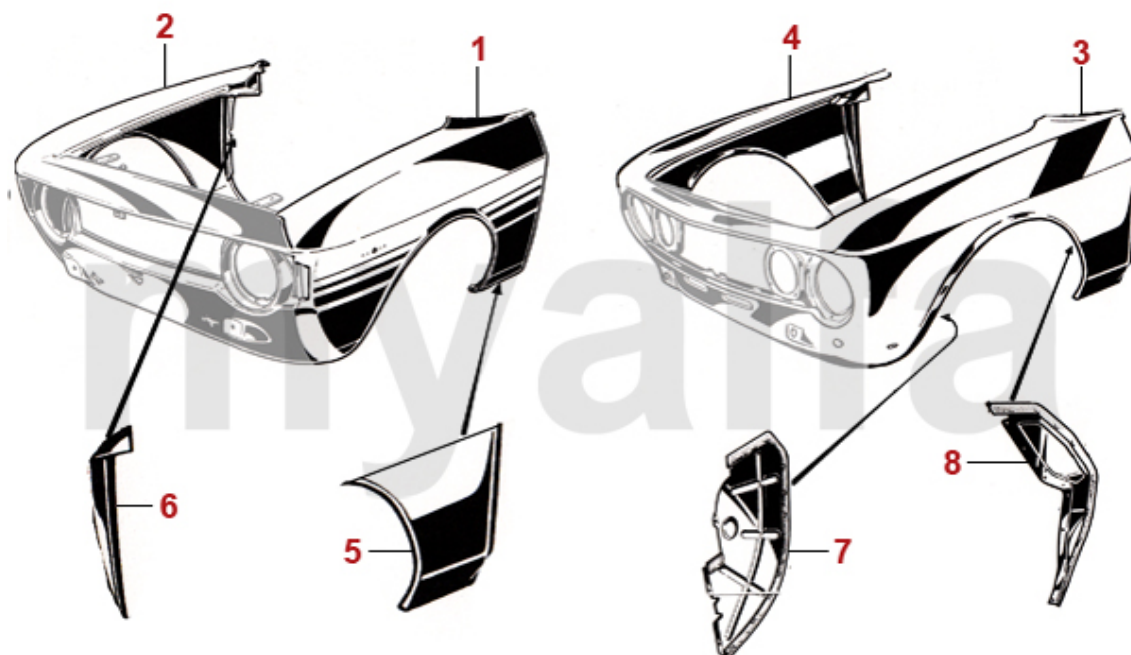
1974-76 GT JUNIOR	159
DOOR PANELS AND COVERS	160
1300/1600/1750 1st Series	160
1750 2nd Series/2000	161
FLOORING	162
FOOT MATS	162
RUBBER MATS	163
EVERGOMMA	164
CARPET SETS	165
INSULATING MATS	166
<b>MISCELLANEOUS</b>	167
CAR COVER	167
RUST PROTECTION	168
JACK	169
BATTERY CHARGERS	170
REPLACEMENT BULBS BOX	171
FENDER PROTECTOR	172

1	1110190	FRONT PANEL GT BERTONE SERIES 1	SEK10,470.35
1	111019A	FRONT PANEL GTA ALUMINIUM	SEK11,648.06
2	1110180	FRONT VALANCE GT BERTONE SERIES 1, 270mm HIGH	SEK2,285.35
3	1110161	HEADLIGHT SUPPORT PANEL GT BERTONE SERIES 1, LEFT	SEK1,270.95
3	1110162	HEADLIGHT SUPPORT PANEL GT BERTONE SERIES 1, RIGHT	SEK1,270.95
3	1110151	HEADLAMP MOUNT ALUMINIUM STEP NOSE LEFT	SEK1,970.53
3	1110152	HEADLAMP MOUNT ALUMINIUM STEP NOSE RIGHT	SEK1,970.53
4	1110200	FRONT PANEL GT BERTONE SERIES 2	SEK7,753.63
5	1111820	FRONT VALANCE GT BERTONE SERIES 2 (NOT 1750), 400mm HIGH	SEK4,302.36
5	1111830	FRONT VALANCE GT BERTONE 1750 SERIES 1, 400mm HIGH	SEK5,188.56
5	1111840	FRONT VALANCE GT BERTONE 1750 SERIES 2, 400mm HIGH	SEK5,188.56
6	1111810	FRONT VALANCE GT BERTONE SERIES 2, 180mm HIGH	SEK2,320.32
7	1192300	PANEL FRONT PANEL / RADIATOR FRAME GT BERTONE SERIES 2	SEK2,553.42
8	1113041	OUTER HEADLIGHT SUPPORT PANEL GT BERTONE SERIES 2 LEFT	SEK406.95
8	1113042	OUTER HEADLIGHT SUPPORT PANEL GT BERTONE SERIES 2 RIGHT	SEK406.95
9	1113031	INNER HEADLIGHT SUPPORT PANEL GT BERTONE SERIES 2 LEFT	SEK448.86
9	1113032	INNER HEADLIGHT SUPPORT PANEL GT BERTONE SERIES 2 RIGHT	SEK448.86
10	1191500	SCUTTLE DRAIN HOSE GRAY	SEK231.99
10	1191510	SCUTTLE DRAIN HOSE GT BERTONE	SEK1,154.26
11	1370500	BONNET HINGE SET GT BERTONE STEP NOSE	SEK1,690.67
12	1110130	UPPER INNER FRONT PANEL SUPPORT	SEK4,885.39
13	1111860	WIPER / SCUTTLE PANEL BERTONE GT / GTV	SEK2,903.21
13	111186A	WIND SHIELD PLATE ALUMINIUM BERTONE GT / GTV / GTA	SEK3,486.23

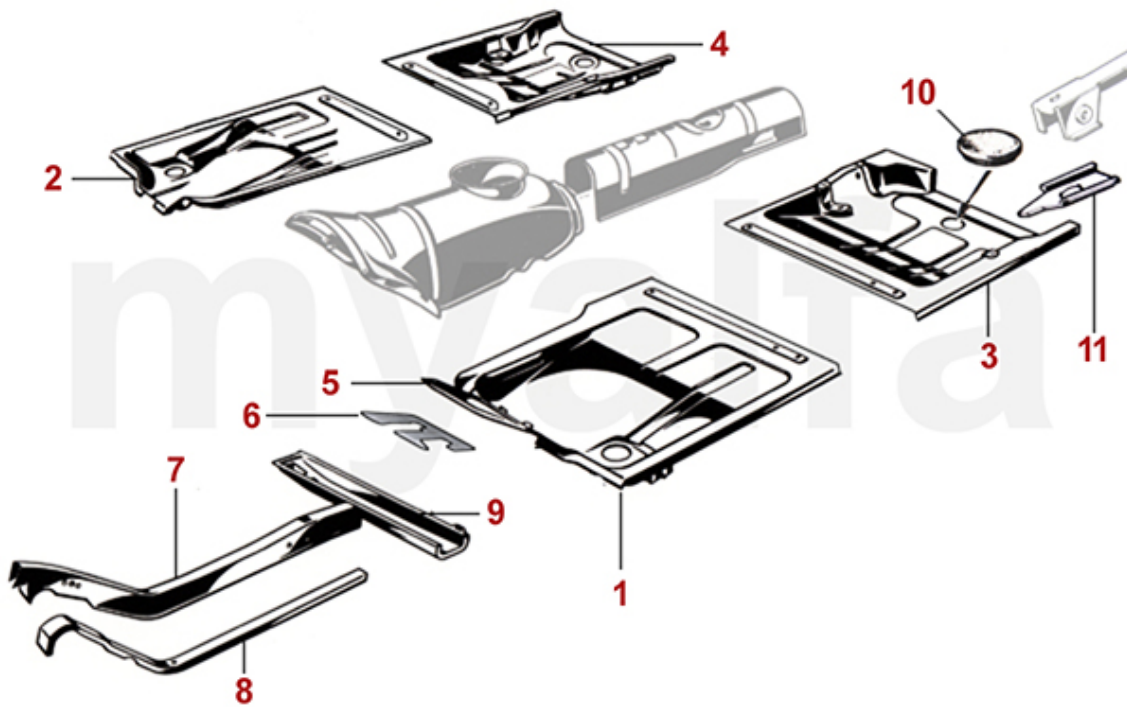


<b>1</b>	<b>1190570</b>	<b>RADIATOR SURROUND PANEL GT BERTONE 2nd SERIES</b>	<b>SEK4,185.81</b>
<b>2</b>	<b>1110590</b>	<b>RADIATOR CROSS-MEMBER 1963-68 REAR PART</b>	<b>SEK1,387.50</b>
<b>3</b>	<b>1110580</b>	<b>RADIATOR CROSS-MEMBER 1963-68 FRONT PART</b>	<b>SEK757.85</b>
<b>4</b>	<b>1112210</b>	<b>RADIATOR CROSS-MEMBER 1968-93 FRONT PART</b>	<b>SEK641.30</b>
<b>5</b>	<b>1110600</b>	<b>RADIATOR CROSS-MEMBER 1968-93 REAR PART</b>	<b>SEK757.85</b>
<b>6</b>	<b>1190661</b>	<b>FLITCH PANEL LEFT</b>	<b>SEK1,270.95</b>
<b>6</b>	<b>1190662</b>	<b>FLITCH PANEL RIGHT</b>	<b>SEK1,270.95</b>
<b>7</b>	<b>5410680</b>	<b>TOP SUSPENSION ARM INNER MOUNT</b>	<b>SEK777.69</b>
<b>8</b>	<b>1191551</b>	<b>FRONT ANTI-ROLL BAR MOUNTING BRACKET LEFT</b>	<b>SEK465.23</b>
<b>8</b>	<b>1191552</b>	<b>FRONT ANTI-ROLL BAR MOUNTING BRACKET RIGHT</b>	<b>SEK465.23</b>
<b>9</b>	<b>1311050</b>	<b>FRONT TOW HOOK</b>	<b>SEK756.74</b>
<b>10</b>	<b>1190690</b>	<b>BATTERY SUPPORT PANEL</b>	<b>SEK528.22</b>
<b>11</b>	<b>1191270</b>	<b>BATTERY TRAY METAL SERIES 1</b>	<b>SEK1,509.88</b>
<b>12</b>	<b>1190250</b>	<b>BATTERY TRAY PLASTIC CARBURETTOR MODELS</b>	<b>SEK425.55</b>
<b>13</b>	<b>1621020</b>	<b>BONNET TO SCUTTLE PANEL SEAL GT BERTONE</b>	<b>SEK314.27</b>
<b>14</b>	<b>1623330</b>	<b>BONNET SEAL GT BERTONE SERIES 1 FRONT</b>	<b>SEK285.69</b>
<b>15</b>	<b>1622610</b>	<b>SET RADIATOR SURROUND RUBBER SEALS SPIDER / GT BERTONE 1970-77</b>	<b>SEK396.41</b>
<b>16</b>	<b>1190900</b>	<b>DOOR CATCH SPACER GT - 1mm STAINLESS STEEL</b>	<b>SEK103.79</b>



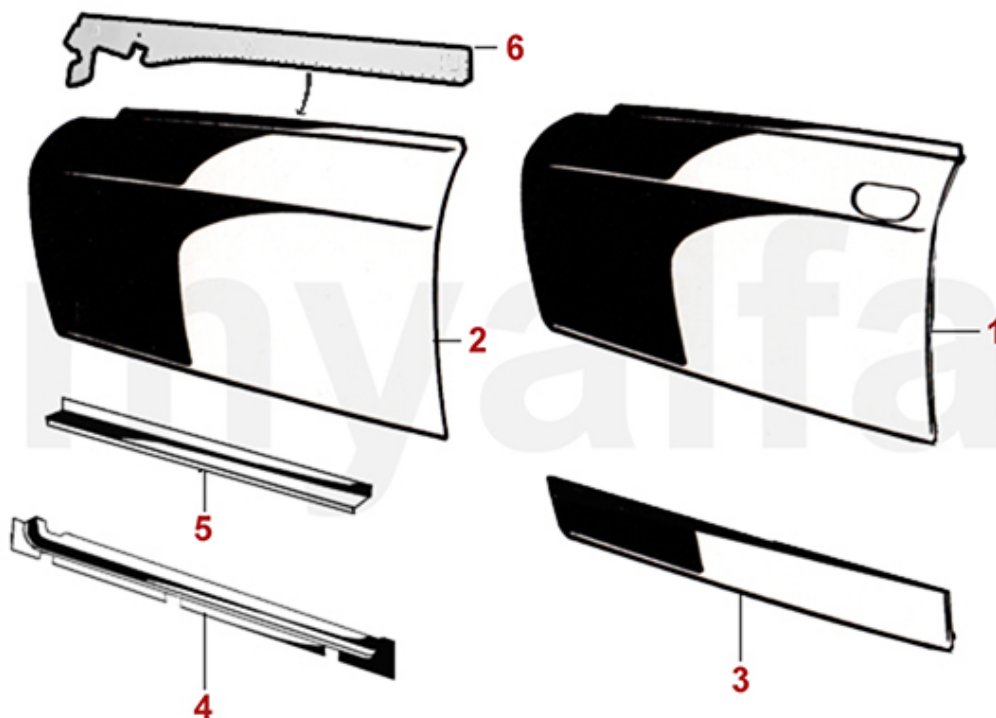


1	1122381	FRONT WING GT BERTONE SERIES 1 ALUMINIUM LEFT	SEK13,117.15
1	1120221	FRONT WING GT BERTONE SERIES 1 STEEL LEFT	SEK9,152.78
2	1122382	FRONT WING GT BERTONE SERIES 1 ALUMINIUM RIGHT	SEK13,117.15
2	1120222	FRONT WING GT BERTONE SERIES 1 STEEL RIGHT	SEK9,152.78
3	1120231	FRONT WING GT BERTONE SERIES 2 STEEL LEFT	SEK8,616.51
3	1120241	FRONT WING GT BERTONE SERIES 2 ALUMINIUM LEFT	SEK13,117.15
4	1120232	FRONT WING GT BERTONE SERIES 2 STEEL RIGHT	SEK8,616.51
4	1120242	FRONT WING GT BERTONE SERIES 2 ALUMINIUM RIGHT	SEK13,117.15
5	1201751	REPAIR PANEL FRONT WING GT BERTONE REAR LEFT	SEK670.44
5	1201752	REPAIR PANEL FRONT WING GT BERTONE REAR RIGHT	SEK670.44
6	1122321	FRONT WING TO A-PILLAR PANEL GT BERTONE LEFT	SEK1,737.29
6	1122322	FRONT WING TO A-PILLAR PANEL GT BERTONE RIGHT	SEK1,737.29
7	1192911	SPLASH PANEL GT BERTONE 1963-77 ALUMINIUM FRONT LEFT	SEK815.02
7	1192912	SPLASH PANEL GT BERTONE 1970-77 ALUMINIUM FRONT RIGHT	SEK815.02
8	1192921	SPLASH PANEL GT BERTONE 1963-77 ALUMINIUM REAR LEFT	SEK636.59
8	1192922	SPLASH PANEL GT BERTONE 1963-77 ALUMINIUM REAR RIGHT	SEK636.59



1	1162291	FLOOR PAN FRONT LEFT - 105 FLOOR MOUNTED PEDALBOX	SEK2,203.63
1	1162011	FLOOR PAN FRONT LEFT - 105/115 TOP MOUNTED PEDALBOX	SEK2,087.08
2	1162012	FLOOR PAN FRONT RIGHT - 105/115 LHD	SEK2,087.08
3	1162401	FLOOR PAN REAR LEFT - 105 GT 1963-65 WITH 5 TRACK HOLES	SEK2,670.11
3	1162741	FLOOR PAN REAR LEFT - 105 GT 1965-69 WITH 5 TRACK HOLES	SEK2,553.42
3	1162021	FLOOR PAN REAR LEFT - 105 GT FROM 1970 ON	SEK2,495.14
4	1162402	FLOOR PAN REAR RIGHT - 105 GT 1963-65 WITH 5 TRACK HOLES	SEK2,670.11
4	1162742	FLOOR PAN REAR RIGHT - 105 GT 1965-69 WITH 4 TRACK HOLES	SEK2,553.42
4	1162022	FLOOR PAN REAR RIGHT - 105 GT FROM 1970 ON	SEK2,495.14
5	1162280	PEDALBOX FRAME STANDING PEDALS	SEK699.58
6	1193050	PEDAL COVER STANDING PEDALS GT BERTONE	SEK921.16
7	1160811	FRONT CHASSIS LEG LEFT FROM 1970 ON, HANGING PEDALS	SEK1,690.67
7	1160812	FRONT CHASSIS LEG RIGHT	SEK1,690.67
7	1160741	FRONT CHASSIS LEG LEFT 1962-68, STANDING PEDALS MECHANICAL CLUTCH	SEK1,970.53
7	1160751	FRONT CHASSIS LEG LEFT 1968-70, STANDING PEDALS HYDRAULIC CLUTCH	SEK2,087.08
8	1160821	FRONT CHASSIS LEG INSERT 1970-93 LEFT	SEK1,298.84
8	1160822	FRONT CHASSIS LEG INSERT RIGHT	SEK1,298.84
8	1160021	FRONT CHASSIS LEG INSERT 1962-70 LEFT	SEK1,298.84
9	1191591	CROSS MEMBER FLOOR PAN LEFT	SEK1,853.84
9	1191592	CROSS MEMBER FLOOR PAN RIGHT	SEK1,853.84
10	1630090	FLOOR BUNG	SEK52.45
11	1160030	REINFORCED PLATE FOR AXLE BRACKET GT BERTONE	SEK346.88

1	1161661	INNER SILL GT BERTONE LEFT	SEK2,670.11
1	1161662	INNER SILL GT BERTONE RIGHT	SEK2,670.11
2	1161651	MIDDLE SILL GT BERTONE LEFT	SEK1,842.18
2	1161652	MIDDLE SILL GT BERTONE RIGHT	SEK1,842.18
3	1160311	OUTER SILL GT BERTONE LEFT	SEK1,745.48
3	1160312	OUTER SILL GT BERTONE RIGHT	SEK1,745.48
4	1202221	REPAIR PANEL A-PILLAR SECTION GT BERTONE LEFT	SEK1,107.64
4	1202222	REPAIR PANEL A-PILLAR SECTION GT BERTONE RIGHT	SEK1,107.64
5	1202261	REPAIR PANEL INNER A-POST GT BERTONE LEFT	SEK921.16
5	1202262	REPAIR PANEL INNER A-POST GT BERTONE RIGHT	SEK921.16
6	1202231	REPAIR PANEL B-PILLAR SECTION GT BERTONE LEFT	SEK1,270.95
6	1202232	REPAIR PANEL B-PILLAR SECTION GT BERTONE RIGHT	SEK1,270.95
7	1160770	JACKING POINT FRONT	SEK348.68
8	1161790	REAR JACKING POINT GT BERTONE 1966-77	SEK644.77
8	1162950	JACKING POINT GT BERTONE 1963-65 REAR	SEK693.75



<b>1</b>	<b>1132711</b>	<b>DOOR SKIN GT BERTONE ALUMINIUM LEFT</b>	<b>SEK4,255.74</b>
<b>1</b>	<b>1132712</b>	<b>DOOR SKIN GT BERTONE ALUMINIUM RIGHT</b>	<b>SEK4,255.74</b>
<b>1</b>	<b>1120301</b>	<b>DOOR SKIN GT BERTONE LEFT</b>	<b>SEK2,505.69</b>
<b>1</b>	<b>1120302</b>	<b>DOOR SKIN GT BERTONE RIGHT</b>	<b>SEK2,505.69</b>
<b>2</b>	<b>1132721</b>	<b>DOOR SKIN GTA LEFT,</b>	<b>SEK3,486.23</b>
<b>2</b>	<b>1132722</b>	<b>DOOR SKIN GTA RIGHT,</b>	<b>SEK3,486.23</b>
<b>3</b>	<b>1201921</b>	<b>REPAIR PANEL BOTTOM DOOR SKIN GT BERTONE LEFT</b>	<b>SEK465.23</b>
<b>3</b>	<b>1201922</b>	<b>REPAIR PANEL BOTTOM DOOR SKIN GT BERTONE RIGHT</b>	<b>SEK465.23</b>
<b>4</b>	<b>1202731</b>	<b>REPAIR PANEL DOOR BOTTOM GT BERTONE LEFT, ENDS RAISED</b>	<b>SEK2,622.24</b>
<b>4</b>	<b>1202732</b>	<b>REPAIR PANEL DOOR BOTTOM GT BERTONE RIGHT, ENDS RAISED</b>	<b>SEK2,622.24</b>
<b>5</b>	<b>1201931</b>	<b>REPAIR PANEL DOOR BOTTOM GT BERTONE LEFT</b>	<b>SEK309.00</b>
<b>5</b>	<b>1201932</b>	<b>REPAIR PANEL DOOR BOTTOM GT BERTONE RIGHT</b>	<b>SEK309.00</b>
<b>6</b>	<b>1201911</b>	<b>UPPER INNER DOOR REPAIR PANEL GT BERTONE LEFT SIDE</b>	<b>SEK687.92</b>
<b>6</b>	<b>1201912</b>	<b>UPPER INNER DOOR REPAIR PANEL GT BERTONE RIGHT SIDE</b>	<b>SEK687.92</b>

1	1140241	REAR WING GT BERTONE 1963-67 STEEL LEFT	SEK9,969.05
1	1140261	REAR WING GT BERTONE 1967-77 ALUMINIUM LEFT	SEK13,117.15
1	1140251	REAR WING GT BERTONE 1967-77 STEEL LEFT	SEK10,202.15
1	1140271	REAR WING GT BERTONE 1963-67 ALUMINIUM LEFT	SEK12,580.74
2	1140242	REAR WING GT BERTONE 1963-67 STEEL RIGHT	SEK9,969.05
2	1140262	REAR WING GT BERTONE 1967-77 ALUMINIUM RIGHT	SEK13,117.15
2	1140252	REAR WING GT BERTONE 1967-77 STEEL RIGHT	SEK10,202.15
2	1140272	REAR WING GT BERTONE 1963-67 ALUMINIUM RIGHT	SEK12,580.74
3	1141771	REAR WING VALANCE GT BERTONE 1963-67 LEFT	SEK3,602.78
3	1141772	REAR WING VALANCE GT BERTONE 1963-67 RIGHT	SEK3,602.78
4	1201761	REPAIR PANEL REAR WING GT BERTONE FRONT LEFT	SEK641.30
4	1201762	REPAIR PANEL REAR WING GT BERTONE FRONT RIGHT	SEK641.30
5	1202761	REPAIR PANEL WHEEL ARCH GT BERTONE 1967-77 LEFT	SEK1,048.26
5	1202762	REPAIR PANEL WHEEL ARCH GT BERTONE 1967-77 RIGHT	SEK1,048.26
6	1200361	REPAIR PANEL REAR WING GT BERTONE REAR LEFT	SEK506.02
6	1200362	REPAIR PANEL REAR WING GT BERTONE REAR RIGHT	SEK506.02
7	1161671	OUTER REAR WHEELARCH GT BERTONE LEFT	SEK2,553.42
7	1161672	OUTER REAR WHEELARCH GT BERTONE RIGHT	SEK2,553.42
8	1171830	FUEL FILLER FLAP GIULIA / GT BERTONE	SEK1,270.95
9	1171320	FUEL FILLER FLAP RIVET GIULIA / GT BERTONE	SEK57.17
10	1171330	FUEL FILLER FLAP SPRING GIULIA / GT BERTONE	SEK54.25
11	1171310	FUEL FILLER FLAP FRAME GIULIA / GT BERTONE	SEK149.30
12	1171280	FUEL FILLER FLAP BUFFER (SET ) GIULIA / GT BERTONE	SEK110.72
13	1143190	FRAME FOR FUEL FILLER FLAP GIULIA, GT BERTONE, BERLINA JUNIOR ZAGATO	SEK757.85
14	1191691	REBOUND STRAP MOUNT REPAIR PANEL LEFT	SEK612.17
14	1191692	REBOUND STRAP MOUNT REPAIR PANEL RIGHT	SEK612.17
15	1140281	REPAIR PANEL REAR WING GT BERTONE UPPER PART/WINDOW FRAME LEFT	SEK1,154.26
15	1140282	REPAIR PANEL REAR WING GT BERTONE UPPER PART/WINDOW FRAME RIGHT	SEK1,154.26

1	115160A	REAR PANEL GT BERTONE 1300-1750 ALUMINIUM	SEK9,316.09
1	1151600	REAR PANEL GT BERTONE 1300-1750	SEK5,235.18
2	115182A	REAR VALNCE GT BERTONE 1300-1750 ALUMINIUM	SEK3,142.27
2	1151820	REAR PANEL VALANCE GT BERTONE 1300-1750	SEK1,970.53
3	1200351	REPAIR PANEL REAR PANEL GT BERTONE LEFT	On request
3	1200352	REPAIR PANEL REAR PANEL GT BERTONE RIGHT	On request
4	115161A	REAR PANEL GT BERTONE 2000 ALUMINIUM	SEK7,916.94
4	1151610	REAR PANEL GT BERTONE 2000	SEK5,235.18
5	120288A	REPAIR PANEL REAR PANEL GT BERTONE 2000 ALUMINIUM unten	SEK3,142.27
5	1202880	REPAIR PANEL REAR VALANCE GT BERTONE 2000 unten	SEK1,970.53
6	1151400	INNER SUPPORT PANEL FOR REAR PANEL GT BERTONE	SEK2,320.32
6	115140A	INNER SUPPORT FOR REAR PANEL GTA, ALUMINIUM	SEK4,022.64
7	1161050	BOOT FLOOR PANEL GT BERTONE	SEK4,535.60
8	1160180	SPARE WHEEL WELL HIGH QUALITY	SEK1,515.71
9	1192222	PANEL REAR WING TO BOOT FLOOR GT BERTONE RIGHT	SEK641.30
10	1160040	REAR BUMPER BRACKET GT BERTONE 1963-70, NUT M10x1.5	SEK324.12
10	1160050	REAR BUMPER BRACKET GT BERTONE 1970-77, NUT M10x1.25	SEK324.12
11	1130270	BOOT LID GT BERTONE ALUMINIUM WITH EMBLEM	SEK8,103.42
11	1131970	BOOT LID GT BERTONE ALUMINIUM W/O EMBLEM	SEK8,103.42
11	1132940	BOOT LID GT BERTONE WITH EMBLEM	SEK4,943.66
11	1132930	BOOT LID GT BERTONE W/O EMBLEM	SEK4,943.66
12	1192280	REPAIR PANEL FOR BASE OF REAR SCREEN GT BERTONE	SEK3,206.37
13	1310060	TOW HOOK GIULIA / GT BERTONE / SPIDER REAR	SEK687.92
14	1190950	BOOT LID HOOK SPACER GT - 1mm STAINLESS STEEL	SEK103.79
15	1164230	EXHAUST MOUNT FOR TRUNK FLOOR	SEK221.58
16	1164240	STRENGTHENING PLATE FOR TRUNKFLOOR	SEK571.37
17	1192660	TORSION BAR SET TRUNK LID 105 GT BERTONE	SEK1,154.26
18	119227A	REAR SHELF DIVIDER ALUMINIUM GTA / GT BERTONE	SEK13,875.00

1	1511940	HEADLIGHT DESIGN CARELLO H4 7" (170mm) "LEFT HAND TRAFFIC" 3-LATCHES MOUNTING	SEK581.78
1	1510350	HEADLIGHT DESIGN CARELLO H4 7" (170mm) 3-LATCHES MOUNTING	SEK419.72
1	1511200	HEADLIGHT CARELLO H4 7" (170mm) 3-LATCHES MOUNTING	SEK454.68
1	1511190	HEADLIGHT CARELLO BILUX 7" (170mm) 3-LATCHES MOUNTING	SEK1,154.26
2	1510180	HEADLIGHT H4 7" (170mm) CARELLO CLAMP MOUNTING	SEK815.02
2	1510190	HEADLIGHT CARELLO H4 7" (170mm) CLAMP MOUNTING "LEFT HAND TRAFFIC"	SEK594.68
2	1511180	HEADLIGHT BILUX 7" (170mm) CARELLO CLAMP MOUNTING	SEK1,154.26
3	1510250	INNER HEADLIGHT CARELLO	SEK546.81
4	1581960	HEADLIGHT BOWL GT BERTONE 1962-67/ SPIDER 1966-89 WITHOUT HEADLAMP LEVELING	SEK571.37
5	1581970	HEAD LAMP HOUSING 7" GT BERTONE 1967-77 WITHOUT HEADLAMP LEVELING	SEK966.53
5	1581980	HEAD LAMP BOWL 7" GT BERTONE 1967-77 WITH HEADLAMP LEVELING	SEK1,037.71
6	1581992	HEADLIGHT MOUNT 5 3/4" GIULIA RIGHT/GT BERTONE	SEK605.09
7	1581410	HEADLIGHT ADJUSTER SCREW	SEK57.17
8	1580630	HEADLIGHT RETAINING RING 7" (170MM)	SEK268.20
9	1591720	SCREW FOR RETAINING RING HEAD LAMP	SEK20.95
10	1580720	HEADLIGHT SEAL 7" GIULIA, GT BERTONE, BERLINA 1750	SEK185.37
11	1580730	HEADLIGHT SEAL 5 3/4" GIULIA, GT BERTONE, BERLINA	SEK138.75
12	1580710	RUBBER SEAL (SET) BODY/HEADLIGHT BOWL 7"	SEK641.30
13	1330270	HEADLIGHT RING 7" GT BERTONE SERIES 1 (WITHOUT HOLE FOR HEADLIGHT RANGE ADJUSTMENT)	SEK1,270.95
14	1331880	HEADLIGHT RING 7" GT BERTONE 2nd SERIES (WITH HOLE FOR HEADLIGHT RANGE ADJUSTMENT)	SEK804.47
15	1330880	INNER HEADLIGHT RING 5 3/4" GT BERTONE	SEK1,340.88
16	1630130	GROMMET FOR CABLE HEADLIGHT INSET (SET) 105/115	SEK443.03

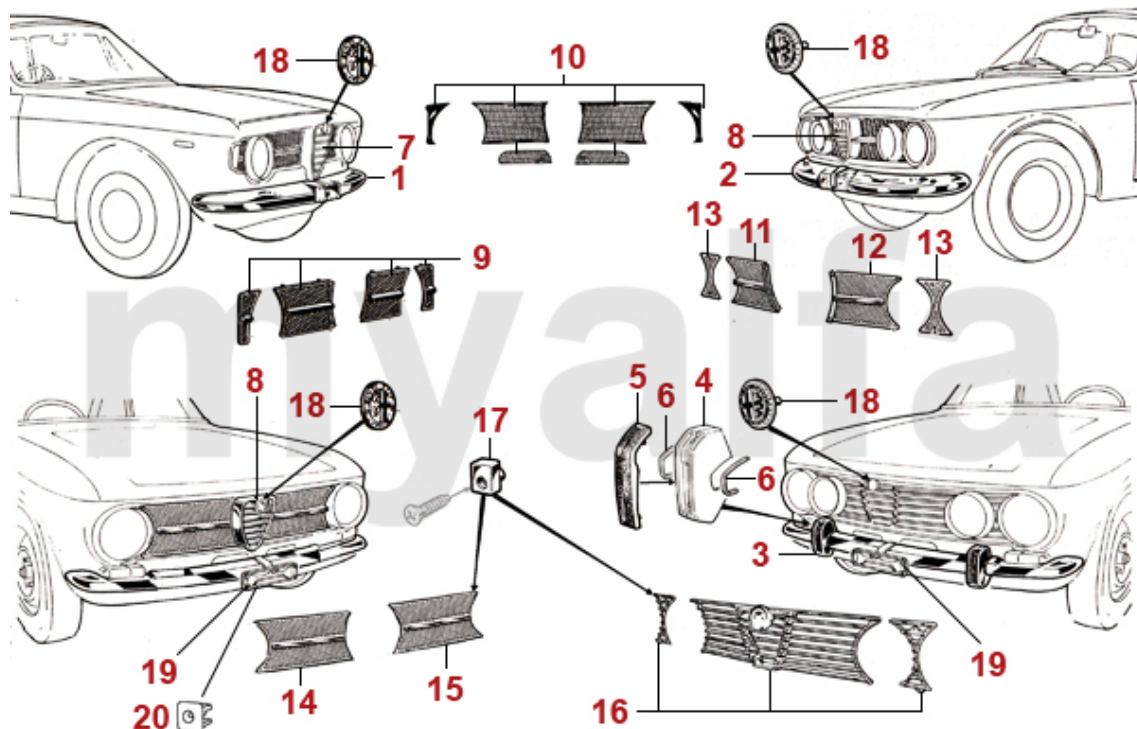
1	1540270	INDICATOR SET GT BERTONE SERIES 1, WHITE/WHITE FRONT	SEK4,419.05
2	1580301	INDICATOR LENSE GT BERTONE SERIES 1 ORANGE/WHITE FRONT LEFT	SEK348.68
2	1581641	INDICATOR LENSE GT BERTONE SERIES 1 WHITE/WHITE FRONT LEFT	SEK378.93
2	1580302	INDICATOR LENSE GT BERTONE SERIES 1 ORANGE/WHITE FRONT RIGHT	SEK348.68
2	1581642	INDICATOR LENSE GT BERTONE SERIES 1 WHITE/WHITE FRONT RIGHT	SEK378.93
3	1591590	SEAL INDICATOR LENSE GT BERTONE SERIES 1	SEK127.10
4	1591630	SET SEALS INDICATOR /BODY GT BERTONE 1st SERIES	SEK361.44
5	1540281	INDICATOR GT BERTONE 1750 SERIES 1 FRONT LEFT	On request
5	1540282	INDICATOR GT BERTONE 1750 SERIES 1 FRONT RIGHT	On request
6	1580311	INDICATOR LENSE GT BERTONE 1750 SERIES 1 FRONT LEFT	SEK670.44
6	1580312	INDICATOR LENSE GT BERTONE 1750 SERIES 1 FRONT RIGHT	SEK670.44
7	1541781	INDICATOR GT BERTONE 1970-77 WHITE/WHITE, FRONT LEFT	SEK1,620.74
7	1541782	INDICATOR GT BERTONE 1970-77 WHITE/WHITE, FRONT RIGHT	SEK1,620.74
7	1540291	INDICATOR GT BERTONE 1970-77 ORANGE/WHITE, FRONT LEFT	SEK1,620.74
7	1540292	INDICATOR GT BERTONE 1970-77 ORANGE/WHITE, FRONT RIGHT	SEK1,620.74
8	1580331	INDICATOR LENSE GT BERTONE 1970-77 ORANGE/WHITE FRONT LEFT CARELLO	On request
8	1580341	INDICATOR LENSE GT BERTONE 1970-77 WHITE/WHITE FRONT LEFT CARELLO	On request
8	1580332	INDICATOR LENSE GT BERTONE 1970-77 ORANGE/WHITE FRONT RIGHT CARELLO	On request
8	1580342	INDICATOR LENSE GT BERTONE 1970-77 WHITE/WHITE FRONT RIGHT CARELLO	On request
8	1581651	INDICATOR LENSE GT BERTONE 1970-77 WHITE/WHITE FRONT LEFT	SEK553.89
8	1580321	INDICATOR LENSE GT BERTONE 1970-77 ORANGE/WHITE FRONT LEFT	SEK553.89
8	1581652	INDICATOR LENSE GT BERTONE 1970-77 WHITE/WHITE FRONT RIGHT	SEK553.89
8	1580322	INDICATOR LENSE GT BERTONE 1970-77 ORANGE/WHITE FRONT RIGHT	SEK553.89
9	1591680	SCREW SET INDICATOR LENSE GT BERTONE 1970-77 FRONT	SEK57.17
10	1591431	SEAL INDICATOR / BODY GT BERTONE 1970-77 FRONT LEFT	SEK220.34
10	1591432	SEAL INDICATOR / BODY GT BERTONE 1970-77 FRONT RIGHT	SEK204.10
11	1551570	INDICATOR REPEATOR CHROMED PLASTIC FRAME ORANGE	SEK454.68
11	1551580	INDICATOR REPEATOR CHROMED PLASTIC FRAME WHITE	On request
12	1550330	INDICATOR REPEATOR GIULIA / GT BERTONE ELONGATED	SEK353.26
13	1591260	CHROME FRAME INDICATOR REPEATOR GIULIA / GT BERTONE	SEK285.69
14	1590200	SET RUBBER SLEEVES FOR SIDE INDICATOR	SEK208.68
15	1550510	INDICATOR REPEATOR GT BERTONE / SPIDER ROUND	SEK220.34
16	1591740	SET INDICATOR RUBBER SEALS BUMPER GT BERTONE 1750 SERIES 1 / 1750 BERLINA	SEK320.65



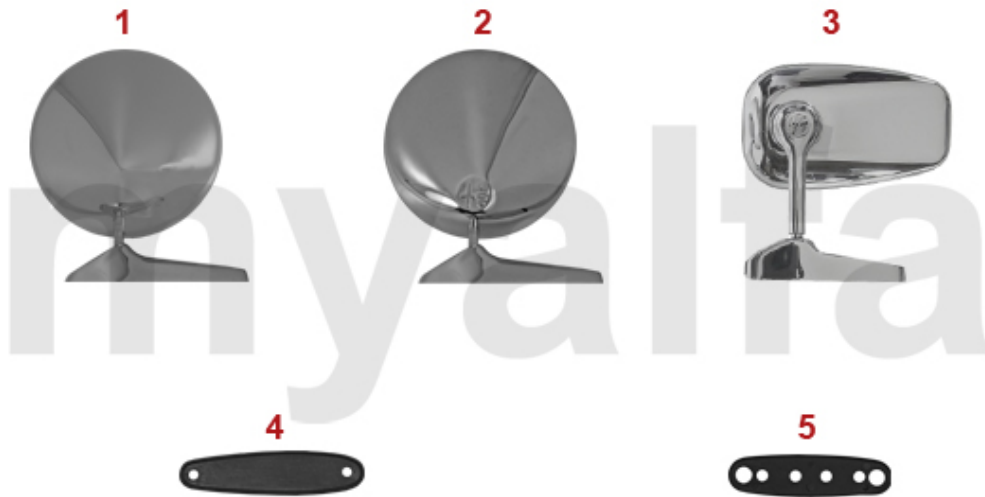
1	1530221	REAR LIGHT GT BERTONE 1963-69 ALTISSIMO LEFT (METAL VERSION)	On request
1	1530222	REAR LIGHT GT BERTONE 1963-69 ALTISSIMO RIGHT (METAL VERSION)	On request
2	1530871	REAR LIGHT GT BERTONE 1750 SERIES 1 ALTISSIMO LEFT	On request
2	1530872	REAR LIGHT GT BERTONE 1750 SERIES 1 ALTISSIMO RIGHT	On request
2	1531671	REAR LIGHT GT BERTONE 1750 SERIES 1 CARELLO LEFT	On request
3	1531682	REAR LIGHT GTJ CARELLO RIGHT METALL BACKING PLATE	On request
3	1531681	REAR LIGHT GTJ CARELLO LEFT METALL BACKING PLATE	On request
4	1530231	REAR LIGHT GT BERTONE 1300-1750 LEFT CARELLO PLASTIC BACKING	SEK2,856.59
4	1530232	REAR LIGHT GT BERTONE 1300-1750 RIGHT CARELLO PLASTIC BACKING	SEK2,856.59
5	1581731	REAR LIGHT LENSE GT BERTONE 1300-1750 LEFT CARELLO WITH PLASTIC BACKING	SEK1,370.02
5	1581771	REAR LIGHT LENSE GT BERTONE 1300-1750 LEFT CARELLO US STYLE	SEK1,737.29
5	1581732	REAR LIGHT LENSE GT BERTONE 1300-1750 RIGHT CARELLO WITH PLASTIC BACKING	SEK1,370.02
5	1581772	REAR LIGHT LENSE GT BERTONE 1300-1750 RIGHT CARELLO US STYLE	SEK1,737.29
5	1530880	REAR LIGHT LENS (SET) GT BERTONE 1.SERIES	SEK3,672.85
6	1581760	REFLECTOR REAR LIGHT LENSE GT BERTONE 1300-1750	SEK347.43
7	1591650	SCREW SET REAR LIGHT LENSE GT BERTONE 1300-1750	SEK80.48
8	1531901	REAR LIGHT BACKING GT BERTONE 1300-1750 LEFT PLASTIC	SEK1,364.19
8	1531902	REAR LIGHT BACKING GT BERTONE 1300-1750 RIGHT PLASTIC	SEK1,364.19
9	1591350	SET REAR LIGHT SEALS GT BERTONE 1300-1750 PLASTIC	SEK333.42
9	1591370	SET REAR LIGHT SEALS GT BERTONE 1750 FOR ALTISSIMO METAL HOUSING	SEK486.32
10	1590090	SET REAR LIGHT SEALS GT BERTONE 1300-1600 FOR HOUSING FROM METAL	SEK728.72
11	1530750	REVERSING LIGHT GT BERTONE	SEK1,661.53
12	1581750	REVERSING LIGHT LENSE GT BERTONE ALTISSIMO	On request
12	1580900	REVERSING LIGHT LENSE GT BERTONE CARELLO	SEK425.55
13	1590080	SEAL FOR BACK-UP LIGHT GLASS	SEK115.44
14	1591410	REVERSING LIGHT SPACER GT BERTONE	SEK274.03
15	1560740	LICENSE PLATE LIGHT CARELLO STYLE WIDE CUTOUT - 105 1.Series	SEK1,164.81
16	1560170	NUMBER PLATE LIGHT 1970-82 V2A "POLISHED"	SEK453.57
17	1590170	RUBBER SEAL FOR NUMBER PLATE LAMP	SEK69.38
18	1560050	REAR NUMBERPLATE LIGHT PLINTE ALUMINIUM GTA	SEK1,281.36
19	1560040	HOLDER LICENSE PLATE LIGHTS GT BERTONE SERIES 1	SEK804.47

<b>2</b>	<b>1580261</b>	<b>REAR LIGHT LENSE GT BERTONE 2000 LEFT ALTISSIMO</b>	<b>SEK1,107.64</b>
<b>2</b>	<b>1580262</b>	<b>REAR LIGHT LENSE GT BERTONE 2000 RIGHT ALTISSIMO</b>	<b>SEK1,107.64</b>
<b>3</b>	<b>1591710</b>	<b>SCREWS FOR TAILLIGHT GLASS GT BERTONE 2000 SET 4PC</b>	<b>SEK80.48</b>
<b>4</b>	<b>1590110</b>	<b>SET REAR LIGHT LENS SEALS (2PC) GT BERTONE 2000</b>	<b>SEK728.72</b>
<b>5</b>	<b>1591360</b>	<b>REAR LIGHT SEALS (SET) GT BERTONE 2000</b>	<b>SEK511.85</b>
<b>6</b>	<b>1560170</b>	<b>NUMBER PLATE LIGHT 1970-82 V2A "POLISHED"</b>	<b>SEK453.57</b>
<b>7</b>	<b>1590170</b>	<b>RUBBER SEAL FOR NUMBER PLATE LAMP</b>	<b>SEK69.38</b>

<b>1</b>	<b>1590940</b>	<b>BULB 12 V / H4</b>	<b>SEK71.18</b>
<b>1</b>	<b>1591450</b>	<b>BULB HIGH POWER H4 100/90 W</b>	<b>SEK145.69</b>
<b>1</b>	<b>1591460</b>	<b>BULB HIGH POWER H4 BILUX socket</b>	<b>SEK103.79</b>
<b>2</b>	<b>1590950</b>	<b>BULB 12 V / BILUX</b>	<b>SEK37.32</b>
<b>3</b>	<b>1590930</b>	<b>BULB 12 V / H1</b>	<b>SEK71.18</b>
<b>4</b>	<b>1590960</b>	<b>BULB 12 V / 21W</b>	<b>SEK12.21</b>
<b>5</b>	<b>1591000</b>	<b>BULB 12 V / 21/5W</b>	<b>SEK11.66</b>
<b>6</b>	<b>1591380</b>	<b>BULB 12V/21W yellow coloured</b>	<b>SEK39.68</b>
<b>7</b>	<b>1590700</b>	<b>FESTOON BULB 12 V / 5 W</b>	<b>SEK18.59</b>
<b>8</b>	<b>1590980</b>	<b>BULB 12 V / 5W</b>	<b>SEK17.48</b>
<b>9</b>	<b>1590970</b>	<b>BULB 12 V / 4W</b>	<b>SEK11.66</b>
<b>10</b>	<b>1590990</b>	<b>BULB 12 V / 2 W FOR WARNING LIGHTS</b>	<b>SEK25.67</b>

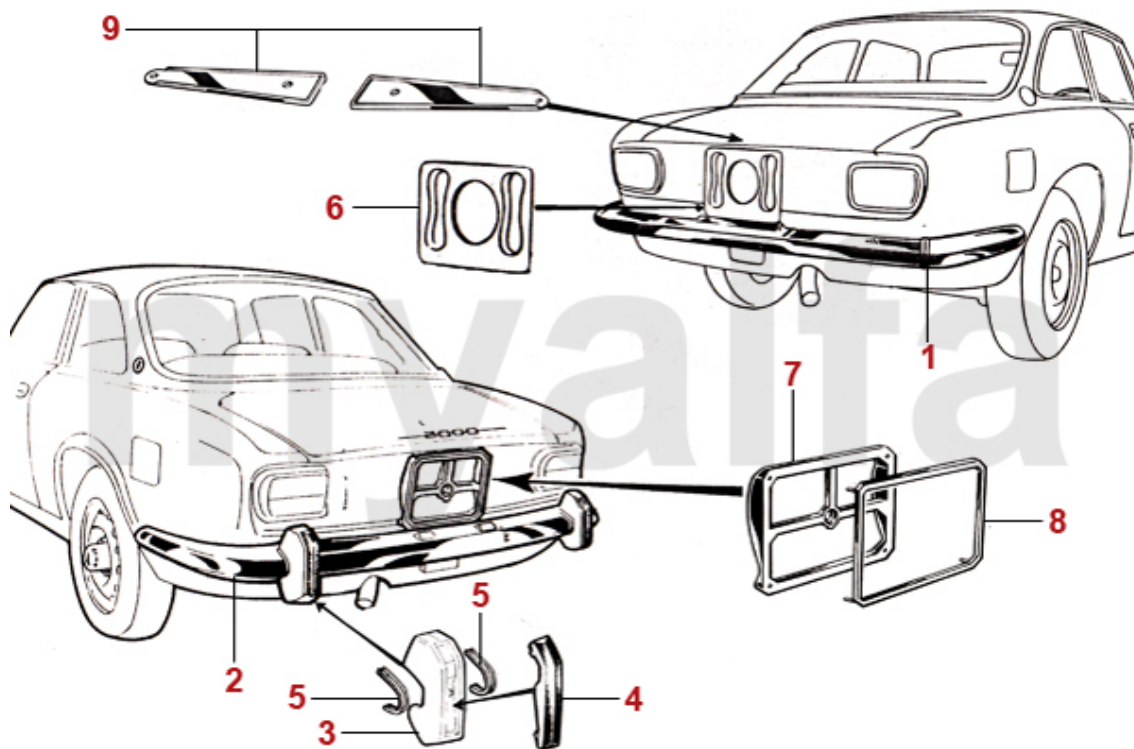


1	1310210	BUMPER GT BERTONE SERIES 1 FRONT (WITH EMBELLISHERS)	SEK10,470.35
2	1310240	BUMPER GT BERTONE 1750 SERIES 1 FRONT	On request
3	1310220	BUMPER GT BERTONE FRONT WITH BRACKET AND OVERRIDERS	SEK10,470.35
3	1310290	BUMPER GT BERTONE FRONT WITHOUT OVERRIDERS	SEK9,071.20
5	1371380	OVER RIDER RUBBER GIULIA / GT BERTONE	SEK337.02
6	1371370	SET OF RUBBER BASES OVER RIDERS GIULIA / GT BERTONE / BERLINA	SEK115.44
7	1320350	CENTRE HEART SERIES 1	SEK4,185.81
7	1320360	CENTRE HEART 1300 - 1600 GTA (V2A)	SEK3,252.99
8	1320340	CENTRE HEART GT BERTONE SERIES 2 1300-1750	SEK3,468.75
9	1321710	FRONT GRILLE SET GTC	On request
10	1320180	GTA MESH GRILLES SET 5 PIECES	SEK6,004.68
11	1320311	FRONT GRILLE GT BERTONE 1750 LEFT	SEK1,387.50
12	1320312	FRONT GRILLE GT BERTONE 1750 RIGHT	SEK1,387.50
13	1321720	FRONT GRILLE SET GT BERTONE 1750 BETWEEN THE HEADLIGHTS	SEK921.16
14	1320321	FRONT GRILLE GT BERTONE 1300/1600 1970-74 LEFT	SEK1,270.95
15	1320322	FRONT GRILLE GT BERTONE 1300/1600 1970-74 RIGHT	SEK1,270.95
16	1320290	FRONT GRILLE GT BERTONE 2000	SEK4,162.50
17	1370300	CLIP FOR FIXING SCREWS FRONT GRILLE GIULIA / GT BERTONE	SEK22.76
18	1360010	BADGE 55 mm Alfa Romeo	SEK349.23
18	1360020	BADGE 55 mm Alfa Romeo MILANO	SEK349.23
19	1331350	FRONT NUMBER PLATE MOUNT GT BERTONE, POLISHED STAINLESS STEEL	SEK1,142.61
20	1330080	CLIP FOR FRONT NUMBER PLATE MOUNT GT BERTONE	SEK22.20



<b>1</b>	<b>1401470</b>	<b>DOOR MIRROR CHROME ROUND SPIDER 1966-69,GT BERTONE 1st SERIES WITHOUT ALFA EMBLEM WITH RUBBER PAD</b>	<b>SEK1,270.95</b>
<b>2</b>	<b>1400170</b>	<b>DOOR MIRROR CHROME ROUND ALFA BADGE INCLUDING RUBBER PAD</b>	<b>SEK571.37</b>
<b>3</b>	<b>1400730</b>	<b>DOOR MIRROR CHROME OVAL Alfa BADGE INCLUDING RUBBER PAD</b>	<b>SEK571.37</b>
<b>4</b>	<b>1631700</b>	<b>RUBBER PAD ROUND DOOR MIRROR</b>	<b>SEK73.40</b>
<b>5</b>	<b>1631430</b>	<b>RUBBER PAD OVAL DOOR MIRROR</b>	<b>SEK73.40</b>

<b>1</b>	<b>1170361</b>	<b>OUTER DOOR HANDLE GT BERTONE LEFT</b>	<b>SEK1,956.51</b>
<b>1</b>	<b>1170362</b>	<b>OUTER DOOR HANDLE GT BERTONE RIGHT</b>	<b>SEK1,956.51</b>
<b>1</b>	<b>1170360</b>	<b>SET OUTER DOOR HANDLES GT BERTONE LEFT / RIGHT</b>	<b>SEK3,905.95</b>
<b>1</b>	<b>1170350</b>	<b>SET LOCK BARRELS GT BERTONE FOR ORIGINAL DOOR HANDLES</b>	<b>SEK1,107.64</b>
<b>2</b>	<b>1171060</b>	<b>BRACKET FOR OUTER DOOR HANDLE GT BERTONE</b>	<b>SEK231.99</b>
<b>3</b>	<b>1630980</b>	<b>OUTER DOOR HANDLE RUBBER GT BERTONE</b>	<b>SEK72.29</b>
<b>4</b>	<b>1170380</b>	<b>GTA HOOP DOOR HANDLE GTA, SZ 101</b>	<b>SEK641.30</b>
<b>5</b>	<b>1170370</b>	<b>SET GTA DOOR BUTTONS 105 GTA</b>	<b>SEK3,486.23</b>
<b>6</b>	<b>1761121</b>	<b>INNER DOOR HANDLE GT BERTONE 1300-1750 LEFT</b>	<b>SEK343.96</b>
<b>6</b>	<b>1761122</b>	<b>INNER DOOR HANDLE GT BERTONE 1300-1750 RIGHT</b>	<b>SEK343.96</b>
<b>7</b>	<b>1760500</b>	<b>INNER DOOR HANDLE 1974-89</b>	<b>SEK437.20</b>
<b>8</b>	<b>1761130</b>	<b>WINDOW WINDER HANDLE GIULIA, GT BERTONE SERIES 1</b>	<b>SEK378.93</b>
<b>9</b>	<b>1760530</b>	<b>WINDOW WINDER HANDLE 1974-89</b>	<b>SEK496.73</b>
<b>10</b>	<b>1761910</b>	<b>LOCKING LEVER FOR TRIANGULAR WINDOWS GT BERTONE 1st SERIES</b>	<b>SEK531.69</b>
<b>11</b>	<b>1761920</b>	<b>LOCKING LEVER FOR TRIANGULAR WINDOWS GT BERTONE 2nd SERIES ALUMINIUM SHORT</b>	<b>SEK804.47</b>
<b>12</b>	<b>1761040</b>	<b>PLASTIC BACKING INNER DOOR HANDLE / WINDOW WINDER HANDLE 1974-93 BLACK</b>	<b>SEK32.61</b>
<b>13</b>	<b>1761370</b>	<b>GRUB SCREW INNER DOOR HANDLE / WINDOW WINDER HANDLE</b>	<b>SEK46.62</b>



<b>1</b>	<b>1310250</b>	<b>BUMPER GT BERTONE SERIES 1 REAR (WITH EMBELLISHERS)</b>	<b>SEK10,470.35</b>
<b>1</b>	<b>1310070</b>	<b>BUMPER SPRINT GT/GTC/GTA, REAR (WITHOUT EMBELLISHERS)</b>	<b>SEK10,470.35</b>
<b>2</b>	<b>1310260</b>	<b>BUMPER GT BERTONE REAR WITHOUT OVERRIDERS</b>	<b>SEK9,071.20</b>
<b>4</b>	<b>1371380</b>	<b>OVER RIDER RUBBER GIULIA / GT BERTONE</b>	<b>SEK337.02</b>
<b>5</b>	<b>1371370</b>	<b>SET OF RUBBER BASES OVER RIDERS GIULIA / GT BERTONE / BERLINA</b>	<b>SEK115.44</b>
<b>6</b>	<b>1331310</b>	<b>REAR NUMBERPLATE MOUNTING PLATE GT BERTONE, STAINLESS STEEL POLISHED</b>	<b>SEK1,970.53</b>
<b>7</b>	<b>1331740</b>	<b>REAR NUMBER PLATE MOUNT GT BERTONE PLASTIC</b>	<b>SEK896.60</b>
<b>8</b>	<b>1331380</b>	<b>REAR NUMBER PLATE FRAME GIULIA /GT BERTONE, STAINLESS STEEL</b>	<b>SEK348.68</b>
<b>9</b>	<b>1171360</b>	<b>STAINLES STEEL TRUNK TRIM SET (2pc) GT BERTONE LEFT/RIGHT</b>	<b>SEK931.57</b>

<b>1</b>	<b>5731090</b>	<b>HUBCAP SERIES 1 EMBOSSED BADGE</b>	<b>SEK1,037.71</b>
<b>2</b>	<b>5731100</b>	<b>HUBCAP SERIES 1 SMALL CIRCLE (PUSH ON)</b>	<b>SEK804.47</b>
<b>3</b>	<b>5730190</b>	<b>HUBCAP SERIES 1 LARGE RING</b>	<b>SEK571.37</b>
<b>4</b>	<b>5731180</b>	<b>HUBCAP SERIES 2 EMBOSSED BADGE "POLISHED"</b>	<b>SEK454.68</b>
<b>5</b>	<b>5730200</b>	<b>HUBCAP SERIES 2 WITH CENTRE BADGE "POLISHED"</b>	<b>SEK571.37</b>
<b>6</b>	<b>5730300</b>	<b>HUBCAP RETAINING CLIP</b>	<b>SEK54.81</b>



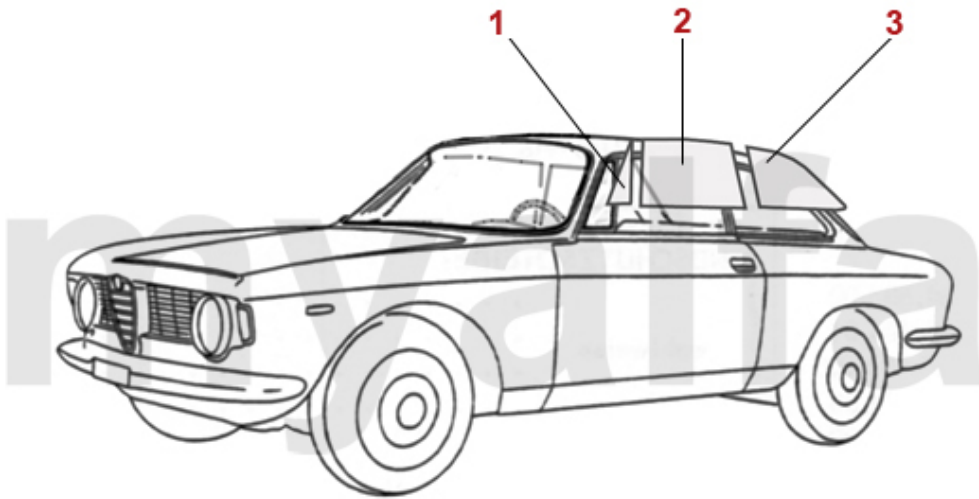
<b>1</b>	<b>1610110</b>	<b>FRONT SCREEN RUBBER SEAL GT BERTONE</b>	<b>SEK1,107.64</b>
<b>2</b>	<b>1331830</b>	<b>FRONT SCREEN RUBBER SEAL INSERT GT BERTONE</b>	<b>SEK2,553.42</b>
<b>3</b>	<b>1610120</b>	<b>REAR SCREEN RUBBER SEAL GT BERTONE</b>	<b>SEK1,107.64</b>
<b>4</b>	<b>1331840</b>	<b>REAR SCREEN RUBBER SEAL INSERT GT BERTONE</b>	<b>SEK2,553.42</b>
<b>5</b>	<b>1613100</b>	<b>FACEPLATE FOR FRONT-/REAR SCREEN SEAL GT BERTONE</b>	<b>SEK231.99</b>
<b>6</b>	<b>9700070</b>	<b>WINDOW SEALANT 310 ml</b>	<b>SEK256.55</b>

<b>1</b>	<b>1620151</b>	<b>DOOR SEAL GT BERTONE LEFT</b>	<b>SEK804.47</b>
<b>1</b>	<b>1620152</b>	<b>DOOR SEAL GT BERTONE RIGHT</b>	<b>SEK804.47</b>
<b>1</b>	<b>1620161</b>	<b>DOOR SEAL GT BERTONE PREMIUM LEFT</b>	<b>SEK1,270.95</b>
<b>1</b>	<b>1620162</b>	<b>DOOR SEAL GT BERTONE PREMIUM RIGHT</b>	<b>SEK1,270.95</b>
<b>2</b>	<b>1620960</b>	<b>CHANNEL SET DOOR SEAL GT BERTONE ALUMINIUM (10 PIECES)</b>	<b>SEK1,690.67</b>
<b>3</b>	<b>1631571</b>	<b>B-POST METAL BRACKET GT GT BERTONE LEFT STAINLESS STEEL</b>	<b>SEK376.57</b>
<b>3</b>	<b>1631572</b>	<b>B-POST METAL BRACKET GT GT BERTONE RIGHT STAINLESS STEEL</b>	<b>SEK376.57</b>
<b>4</b>	<b>1630700</b>	<b>B-POST RUBBER SEAL GT BERTONE</b>	<b>SEK117.80</b>
<b>5</b>	<b>1631480</b>	<b>SCREW SET (12 PIECES) FOR B-POST SEAL METAL BRACKET</b>	<b>SEK66.46</b>
<b>6</b>	<b>1621470</b>	<b>SCREW SET (52 PIECES) FOR CHANNEL SET DOOR SEAL GT BERTONE</b>	<b>SEK121.27</b>

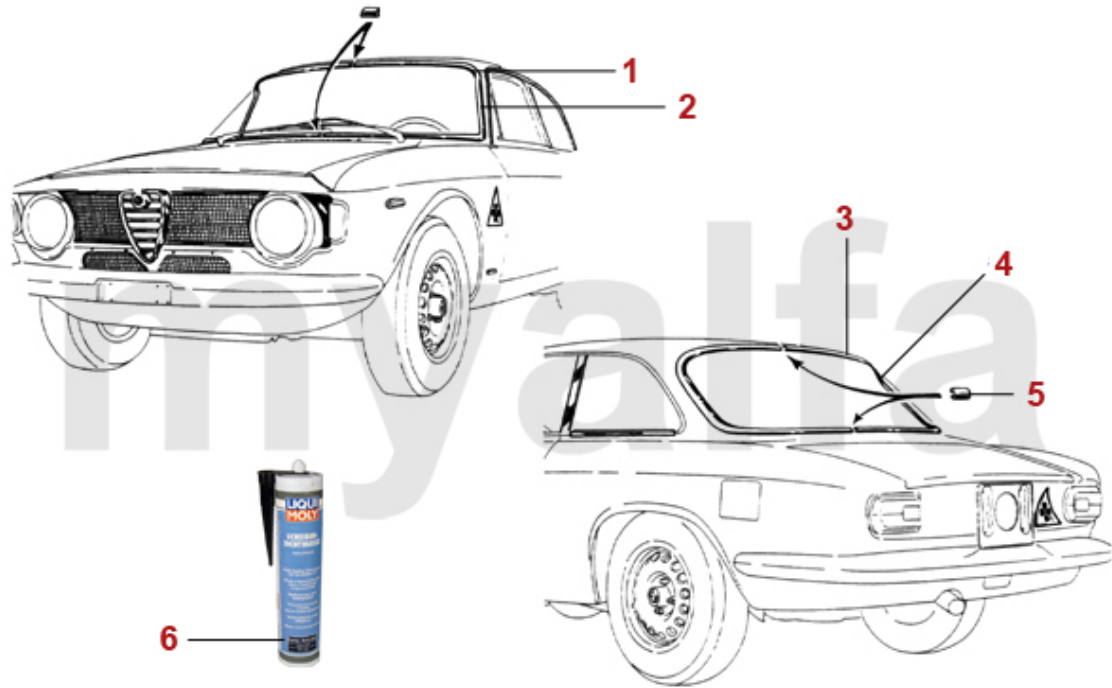
1	1610200	HORIZONTAL WINDOW FELT 100 cm	SEK184.26
2	1610190	SET DOOR GLASS CHANNELS GT BERTONE REAR	SEK1,110.00
3	1610170	DOOR GLASS CHANNEL FELT GT BERTONE FRONT	SEK87.41
4	1610180	DOOR GLASS CHANNEL FELT GT BERTONE REAR	SEK54.81
5	1630211	QUARTER LIGHT TO DOOR SEAL GT BERTONE LEFT	SEK113.08
5	1630212	QUARTER LIGHT TO DOOR SEAL GT BERTONE RIGHT	SEK113.08
6	1631091	QUARTER LIGHT TOP FINISHING SEAL GT BERTONE LEFT	SEK109.61
6	1631092	QUARTER LIGHT TOP FINISHING SEAL GT BERTONE RIGHT	SEK109.61
7	1610130	SET QUARTERLIGHT SEALS GT BERTONE	SEK1,504.05
8	1630221	DOOR GLASS CHANNEL END SEAL GT BERTONE LEFT	SEK162.06
8	1630222	DOOR GLASS CHANNEL END SEAL GT BERTONE RIGHT	SEK162.06
9	1630230	DOOR BUNG GT BERTONE REAR BIG	SEK33.86
10	1630980	OUTER DOOR HANDLE RUBBER GT BERTONE	SEK72.29
11	1620951	FRONT OF DOOR RAIN SEAL GT BERTONE LEFT	SEK138.75
11	1620952	FRONT OF DOOR RAIN SEAL GT BERTONE RIGHT	SEK138.75
12	1760690	FASTENING SCREW FOR REAR WINDOW RAIL	SEK94.49
13	1760680	ADJUSTING SCREW FOR QUARTERLIGHT FRAME FROM 1963 UP TO 1977	SEK227.41
14	1760700	FASTENING SCREW FOR QUARTERLIGHT FRAME	SEK94.49

1	1631640	GROMMET STEERING COLUMN VERSION 1	SEK378.93
2	1631420	GROMMET STEERING COLUMN VERSION 2	SEK378.93
2	1630040	GROMMET STEERING COLUMN VERSION 3	SEK378.93
3	1631070	GROMMET FOR THROTTLE LINKAGE	SEK279.86
4	1631400	GROMMET WIRING LOOM OVAL FOR THE FOLLOWING ALFA ROMEO MODELS: ::: - 105 / 115 ::: - 106 ::: 105.00.50.260.01 / 105005026001 ::: 105.00.50.260.02 / 105005026002 ::: 60515973 :::	SEK137.64
4	1631540	CLAMP FOR BULKHEAD GROMMET OVAL WIRING HARNESS	SEK460.51
5	1631550	GROMMET BRAKE LINES	SEK33.86
6	1631680	GROMMETS FOR HEATER HOSE GT BERTONE / SPIDER 1963-69 SET 2PC	SEK266.96
7	1631410	GROMMET HEATER HOSE	SEK80.48
8	1631390	GROMMET SCUTTLE DRAIN SERIES 2	SEK54.81
8	1631380	SET RUBBER GROMMETS FOR WATER DRAIN SERIES 1	SEK170.25
9	1631670	GROMMET HAND THROTTLE / CHOKE SPEEDOMETER CABLE GT BERTONE / SPIDER 1963-69	SEK204.10
10	1631660	GROMMET SPEEDOMETER CABLE GIULIA SERIES 1 / GT BERTONE 1300-1750 / SPIDER 1966-69	SEK158.59
11	1631290	GROMMET FOR HEATER HOSE AND CABLES	SEK150.41
12	1621340	BOOT LID SEAL GT BERTONE 1964-66	SEK571.37
13	1620280	BOOT LID SEAL GT BERTONE 1967-77	SEK265.85
13	1620090	BOOT LID SEAL GT BERTONE 1967-77 PREMIUM	SEK687.92
14	2580160	FUEL FILLER NECK SEAL GIULIA / GT BERTONE	SEK860.53
15	1171310	FUEL FILLER FLAP FRAME GIULIA / GT BERTONE	SEK149.30
16	1171320	FUEL FILLER FLAP RIVET GIULIA / GT BERTONE	SEK57.17
17	1171330	FUEL FILLER FLAP SPRING GIULIA / GT BERTONE	SEK54.25
18	1171280	FUEL FILLER FLAP BUFFER (SET ) GIULIA / GT BERTONE	SEK110.72
19	1621020	BONNET TO SCUTTLE PANEL SEAL GT BERTONE	SEK314.27
20	1630560	BONNET STOP (SET) GT BERTONE / SPIDER	SEK138.75
21	1631100	GROMMET REAR NUMBERPLATE LIGHT WIRING GT BERTONE	SEK134.03
22	1630090	FLOOR BUNG	SEK52.45

<b>1</b>	<b>1340350</b>	<b>LIGHTWEIGHT FRONT SCREEN GT BERTONE CLEAR 9,5 kg</b>	<b>SEK6,243.75</b>
<b>1</b>	<b>1340020</b>	<b>FRONT SCREEN GT BERTONE GREEN</b>	<b>SEK5,239.89</b>
<b>1</b>	<b>1340030</b>	<b>FRONT SCREEN GT BERTONE GREEN / DARK GREEN TOP</b>	<b>SEK5,421.80</b>
<b>1</b>	<b>1340010</b>	<b>FRONT SCREEN GT BERTONE CLEAR</b>	<b>SEK4,414.33</b>
<b>2</b>	<b>1340070</b>	<b>HEATED REAR SCREEN GT BERTONE GREEN</b>	<b>SEK5,235.18</b>
<b>2</b>	<b>1340060</b>	<b>HEATED REAR SCREEN GT BERTONE CLEAR</b>	<b>SEK4,652.15</b>
<b>2</b>	<b>1340300</b>	<b>REAR SCREEN GT BERTONE CLEAR, NO HEATING</b>	<b>SEK4,302.36</b>



<b>1</b>	<b>1340130</b>	<b>QUARTERLIGHT GT BERTONE GREEN</b>	<b>SEK804.47</b>
<b>1</b>	<b>1340360</b>	<b>QUARTERLIGHT GT BERTONE CLEAR</b>	<b>SEK757.85</b>
<b>2</b>	<b>1340080</b>	<b>DOOR WINDOW GT BERTONE GREEN</b>	<b>SEK1,387.50</b>
<b>2</b>	<b>1340380</b>	<b>DOOR WINDOW GT BERTONE CLEAR</b>	<b>SEK1,375.85</b>
<b>3</b>	<b>1340090</b>	<b>REAR SIDE WINDOW GT BERTONE GREEN</b>	<b>SEK1,375.85</b>
<b>3</b>	<b>1340400</b>	<b>REAR SIDE WINDOW GT BERTONE CLEAR</b>	<b>SEK1,375.85</b>



<b>1</b>	<b>1610110</b>	<b>FRONT SCREEN RUBBER SEAL GT BERTONE</b>	<b>SEK1,107.64</b>
<b>2</b>	<b>1331830</b>	<b>FRONT SCREEN RUBBER SEAL INSERT GT BERTONE</b>	<b>SEK2,553.42</b>
<b>3</b>	<b>1610120</b>	<b>REAR SCREEN RUBBER SEAL GT BERTONE</b>	<b>SEK1,107.64</b>
<b>4</b>	<b>1331840</b>	<b>REAR SCREEN RUBBER SEAL INSERT GT BERTONE</b>	<b>SEK2,553.42</b>
<b>5</b>	<b>1613100</b>	<b>FACEPLATE FOR FRONT-/REAR SCREEN SEAL GT BERTONE</b>	<b>SEK231.99</b>
<b>6</b>	<b>9700070</b>	<b>WINDOW SEALANT 310 ml</b>	<b>SEK256.55</b>

<b>1</b>	<b>1610130</b>	<b>SET QUARTERLIGHT SEALS GT BERTONE</b>	<b>SEK1,504.05</b>
<b>2</b>	<b>1611300</b>	<b>REAR SIDE WINDOW FRONT SEAL GT BERTONE</b>	<b>SEK220.34</b>
<b>3</b>	<b>1610140</b>	<b>REAR SIDE WINDOW SEAL GT BERTONE</b>	<b>SEK343.96</b>
<b>4</b>	<b>1760050</b>	<b>SET BACKINGS FOR FRONT QUARTER WINDOW HINGE GT BERTONE</b>	<b>SEK103.79</b>
<b>5</b>	<b>1761890</b>	<b>SET REAR SIDE WINDOW CATCHES GT BERTONE</b>	<b>SEK1,970.53</b>
<b>6</b>	<b>1761880</b>	<b>REAR SIDE WINDOW CATCH BUTTON GT BERTONE</b>	<b>SEK250.72</b>
<b>7</b>	<b>1761820</b>	<b>SET BACKING FOR REAR QUARTER WINDOW HANDLE GT BERTONE</b>	<b>SEK103.79</b>
<b>8</b>	<b>1760090</b>	<b>ENDPIECE FOR INNER QUARTERLIGHT TRIM GT BERTONE</b>	<b>SEK1,504.05</b>
<b>9</b>	<b>1610940</b>	<b>METAL CLIP FOR RUBBER HINGES REAR SIDE WINDOW GT BERTONE B-PILLAR</b>	<b>SEK50.09</b>
<b>10</b>	<b>1611460</b>	<b>REAR SIDE WINDOW RUBBER HINGE GT BERTONE</b>	<b>SEK52.45</b>
<b>11</b>	<b>1760070</b>	<b>SET HOLDERS FOR QUARTERLIGHT GT BERTONE</b>	<b>SEK2,506.80</b>
<b>12</b>	<b>9700070</b>	<b>WINDOW SEALANT 310 ml</b>	<b>SEK256.55</b>



1	1190081	UPPER DOOR HINGE GT BERTONE SERIES 2 LEFT	SEK931.57
1	1190082	UPPER DOOR HINGE GT BERTONE SERIES 2 RIGHT	SEK931.57
1	1190261	DOOR HINGE GT BERTONE 1st SERIES TOP LEFT	SEK931.57
1	1190262	DOOR HINGE GT BERTONE 1st SERIES TOP RIGHT	SEK931.57
2	1190083	LOWER DOOR HINGE GT BERTONE	SEK931.57
3	1190080	DOOR HINGE REPAIR KIT GT BERTONE FOR 2 HINGES	SEK367.27
4	1190140	SCREW DOOR / BONNET HINGE (SET 8) GT BERTONE	SEK173.72
4	1190710	COUNTERSUNK SCREW DOOR RETAINING STRAP GT BERTONE SERIES 1	SEK16.93
5	1190330	DOOR CHECK STRAP GT BERTONE SERIES 1 / JUNIOR ZAGATO COMPLETE	SEK775.34
6	1371110	DOOR CHECK STRAP GT BERTONE SERIES 1 / JUNIOR ZAGATO	SEK349.79
7	1190060	DOOR CHECK STRAP PIN GT BERTONE SERIES 1 / SPIDER	SEK29.14
8	1190320	DOOR CHECK STRAP (SET 2PC) ROLLER GT BERTONE SERIES 1 / SPIDER	SEK60.63
9	1190470	DOOR CHECK STRAP GT BERTONE SERIES 2	SEK832.50
10	1190150	SPLIT PIN DOOR CHECK STRAP GT BERTONE/GIULIA SERIES 2 5 x 24	SEK19.84
11	1170211	LOCK STRIKER GIULIA LEFT KEIPER	SEK571.37
11	1170212	LOCK STRIKER GIULIA RIGHT KEIPER	SEK571.37
11	1170141	LOCK STRIKER GIULIA / GT BERTONE LEFT SAFE	SEK641.30
11	1170142	LOCK STRIKER GIULIA / GT BERTONE RIGHT SAFE	SEK641.30
12	1170170	SCREW COUNTERSUNK HEAD M 6 x 30	SEK26.78
13	1190400	DOOR BUFFER DOOR GIULIA / GT BERTONE	SEK173.72
14	1170042	DOOR LOCK GT BERTONE RIGHT	On request
14	1170041	DOOR LOCK GT BERTONE LEFT	On request
15	1190021	CABLE WINDOW REGULATOR GT BERTONE LEFT	SEK815.02
15	1190022	CABLE WINDOW REGULATOR GT BERTONE RIGHT	SEK815.02
16	1620080	ADJUSTING SCREW FOR QUARTERLIGHT GT BERTONE	SEK204.10
17	1190910	DOOR HINGE SPACER TOP GT SERIES 1 - 1mm STAINLESS STEEL	SEK103.79
17	1190920	DOOR HINGE SPACER TOP GT SERIES 2 - 1mm STAINLESS STEEL	SEK103.79
18	1190930	DOOR HINGE SPACER BUTTOM GT - 1mm STAINLESS STEEL	SEK103.79
19	1190490	DOOR BUFFER CATCH SPACER GT SERIES 2 - 1mm STAINLESS STEEL	SEK107.25
20	1190700	DOOR BUFFER CATCH B-PILLAR GT AND GIULIA 1971 ONWARDS	SEK262.38
21	1190500	OE.60711136 GUIDE ROLLER FOR WINDOW REGULATOR CABLE	SEK115.44
22	1190900	DOOR CATCH SPACER GT - 1mm STAINLESS STEEL	SEK103.79



<b>1</b>	<b>1360030</b>	<b>BADGE 55mm "ALFA ROMEO MILANO" ENAMEL</b>	<b>SEK465.78</b>
<b>2</b>	<b>1360020</b>	<b>BADGE 55 mm Alfa Romeo MILANO</b>	<b>SEK349.23</b>
<b>3</b>	<b>1360010</b>	<b>BADGE 55 mm Alfa Romeo</b>	<b>SEK349.23</b>
<b>4</b>	<b>1370460</b>	<b>CLIP FOR BADGE Alfa Romeo 1962-82</b>	<b>SEK14.01</b>

<b>1</b>	<b>1360201</b>	<b>BADGE C-PILLAR SNAKE LEFT</b>	<b>SEK571.37</b>
<b>2</b>	<b>1360202</b>	<b>BADGE C-PILLAR SNAKE RIGHT</b>	<b>SEK571.37</b>
<b>3</b>	<b>1360190</b>	<b>BADGE C-PILLAR CLOVERLEAF GOLD</b>	<b>SEK804.47</b>
<b>4</b>	<b>1360180</b>	<b>BADGE C-PILLAR CLOVERLEAF GREEN</b>	<b>SEK804.47</b>



<b>1</b>	<b>1360250</b>	<b>BADGE "disegno di Bertone" GT BERTONE 1963-69 Alu</b>	<b>SEK571.37</b>
<b>2</b>	<b>1360170</b>	<b>BADGE "disegno di bertone" GT BERTONE 1969-77 PLASTIC</b>	<b>SEK347.43</b>

<b>1</b>	<b>1362410</b>	<b>BADGE ALUMINIUM WHEEL SILVER / BLACK BACKGROUND 48 mm</b>	<b>SEK92.13</b>
<b>2</b>	<b>1360500</b>	<b>BADGE ALUMINIUM WHEEL BLACK / SILVER BACKGROUND 48 mm</b>	<b>SEK92.13</b>
<b>3</b>	<b>1360600</b>	<b>BADGE HUBCAP SERIES 2</b>	<b>SEK220.34</b>
<b>3</b>	<b>1740380</b>	<b>LOCK WASHER FOR PLASTIC EMBLEM 1360600</b>	<b>SEK10.41</b>
<b>4</b>	<b>1360510</b>	<b>CIRCLIP BADGE ALUMINIUM WHEEL 48 mm</b>	<b>SEK43.15</b>



1	1360120	SCRIPT "--GT--"	SEK1,457.43
2	1360340	SCRIPT "Giulia Sprint GT"	SEK1,486.57
3	1360630	SCRIPT "Giulia Sprint GTA"	SEK1,457.43
4	1360200	SCRIPT "GIULIA GTC"	SEK1,457.43
5	1360130	SCRIPT "GT 1300 JUNIOR"	SEK921.16
6	1360140	SCRIPT "GT 1600 JUNIOR"	SEK921.16
7	1360150	SCRIPT "1750" GT BERTONE / SPIDER 1967-69	SEK921.16
8	1360160	SCRIPT "2000" GT BERTONE	SEK921.16
9	1360620	SCRIPT "Veloce" GT BERTONE	SEK1,457.43



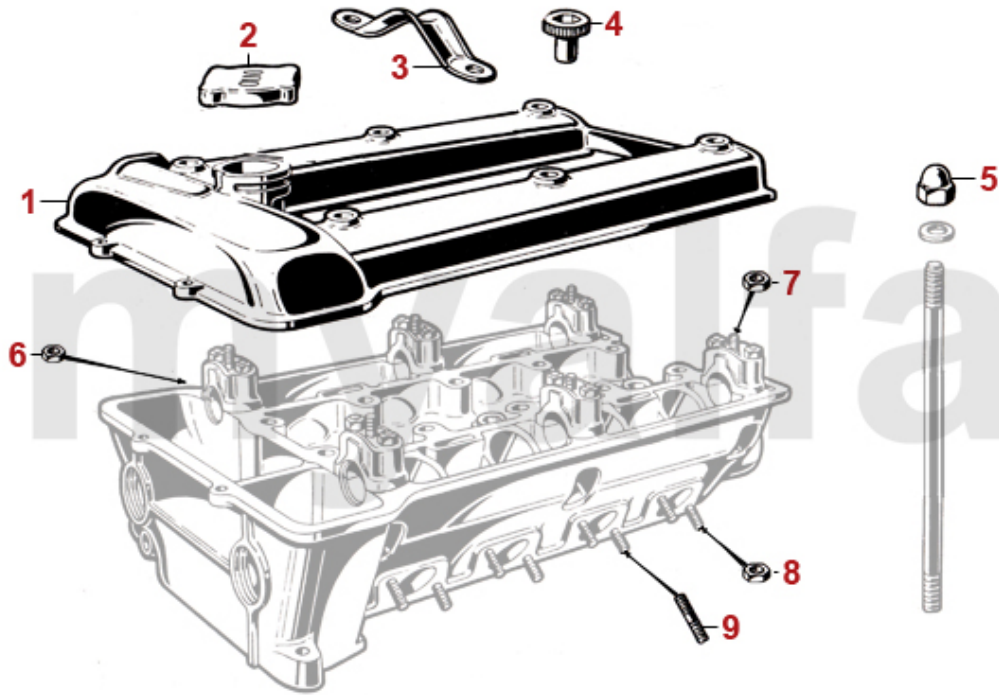
<b>1</b>	<b>9300210</b>	<b>BODY TYPE PLATE 105.21, GT BERTONE 2000</b>	<b>SEK250.72</b>
<b>2</b>	<b>9300260</b>	<b>TYPE PLATE 101.12 GIULIA 1600 SPRINT</b>	<b>SEK250.72</b>
<b>3</b>	<b>9300270</b>	<b>BODY TYPE PLATE 105.25, GIULIA SPRINT GTC</b>	<b>SEK250.72</b>
<b>4</b>	<b>9300280</b>	<b>BODY TYPE PLATE 105.02/A, GIULIA SPRINT GTA 1600</b>	<b>SEK250.72</b>
<b>5</b>	<b>9300610</b>	<b>BODY TYPE PLATE 105.44, GT BERTONE 1750</b>	<b>SEK250.72</b>
<b>6</b>	<b>9300690</b>	<b>BODY TYPE PLATE 105.59, GTA 1300 JUNIOR</b>	<b>SEK250.72</b>
<b>7</b>	<b>9300310</b>	<b>BODY TYPE PLATE 105.02, GIULIA SPRINT GT</b>	<b>SEK250.72</b>
<b>8</b>	<b>9300530</b>	<b>BODY TYPE PLATE 105.30, GT BERTONE 1300 JUNIOR</b>	<b>SEK262.38</b>



1 9300580 BODY VIN PLATE (BLANK)

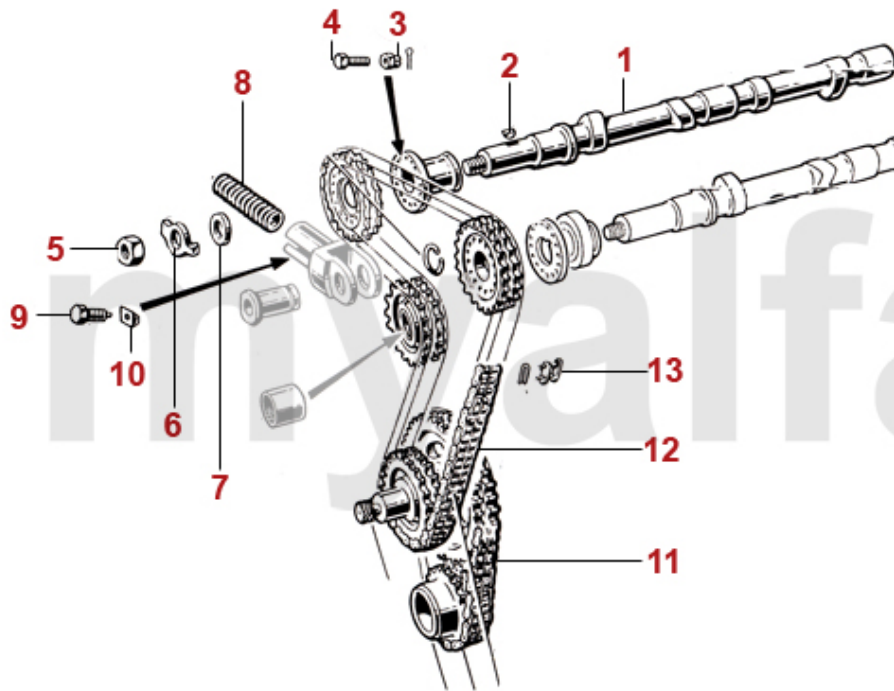
SEK250.72





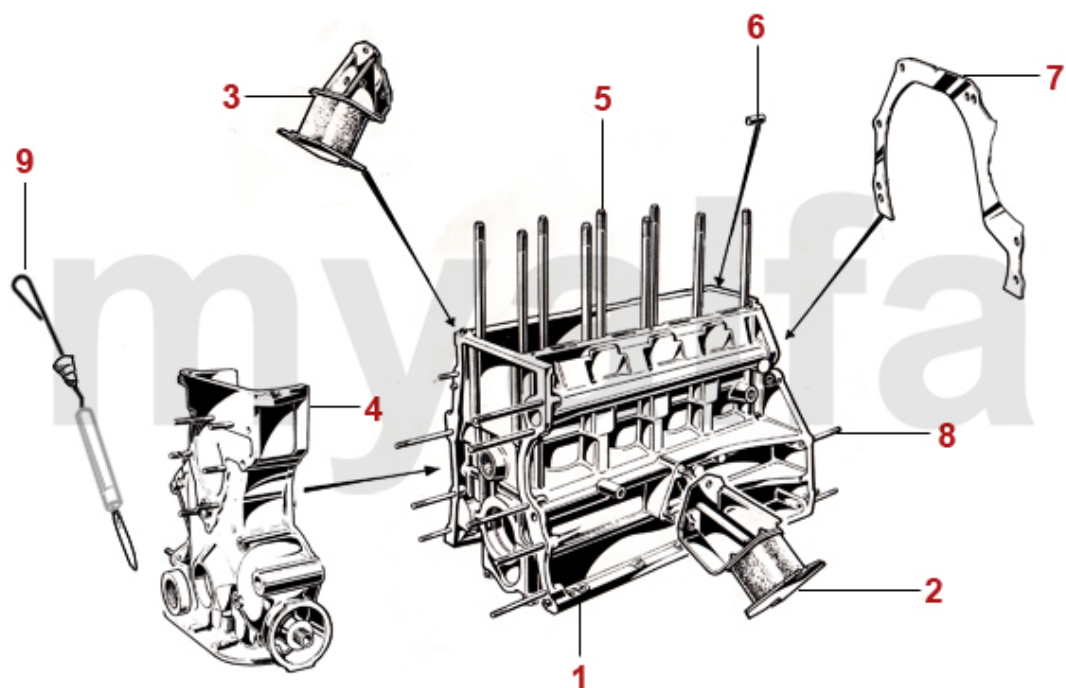
1	2122070	CAM COVER BLACK EPOXY COATED EXCHANGE	On request
2	2280570	OIL FILLER CAP Metall	SEK156.23
2	2281410	OIL FILLER CAP METAL CHROMED	SEK285.69
3	2281890	CYLINDER HEAD EXTRACTOR BRACKET 101/105/75	SEK173.72
4	2281150	CAM COVER SCREW 1959-70 HEXAGON SOCKET 14 mm	SEK150.41
4	2284760	CAM COVER SCREW WRENCH SIZE 17	SEK75.76
5	2282450	NUT CYLINDER HEAD (SET) WRENCH SIZE 17 mm	SEK158.59
5	2282460	NUT CYLINDER HEAD CHROMED WRENCH SIZE 19 mm	SEK150.41
5	2281520	CAM COVER SCREW HEXAGON SOCKET 6 mm	SEK69.93
5	2282480	NUT CYLINDER HEAD CHROMED WRENCH SIZE 17 mm	SEK150.41
6	2281270	STEEL NUT INTAKE MANIFOLD M 8 x 1 WRENCH SIZE 12 mm	SEK10.55
7	2282620	STEEL NUT M8x1 WRENCH SIZE 13mm	SEK10.55
8	2282610	COPPER NUT M 8 x 1 WRENCH SIZE 12mm EXHAUST MANIFOLD	SEK11.10
8	2281280	BRASS NUT EXHAUST MANIFOLD M 8 x 1 WRENCH SIZE 13 mm	SEK26.78
9	2280930	STUD CYLINDER HEAD / EXHAUST MANIFOLD	SEK26.78

1	2230370	VALVE SEAT EXHAUST 1300 OVERSIZE 0.10	SEK208.68
1	2232670	VALVE SEAT EXHAUST 1600/1750 OVERSIZE 0.10	SEK220.34
1	2232680	VALVE SEAT EXHAUST 2000 OVERSIZE 0.10	SEK208.68
2	2232660	VALVE SEAT INTAKE 2000 OVERSIZE 0.10	SEK227.41
2	2230340	VALVE SEAT INTAKE 1300 OVERSIZE 0.10	SEK181.90
2	2232650	VALVE SEAT INTAKE 1600/1750 OVERSIZE 0.10	SEK208.68
3	2230420	VALVE GUIDE EXHAUST STANDARD 9 x 14,05 x 54	SEK127.10
3	2231620	VALVE GUIDE EXHAUST OVERSIZE 0.10 9 x 14,10 x 54	SEK173.72
3	2231630	VALVE GUIDE EXHAUST OVERSIZE 0.20 9 x 14,15 x 54	On request
4	2230400	VALVE GUIDE INTAKE STANDARD 9 x 14,05 x 51	SEK122.38
4	2231600	VALVE GUIDE INTAKE OVERSIZE 0.10 9 x 14,10 x 51	SEK162.06
4	2231610	VALVE GUIDE INTAKE OVERSIZE 0.20 9 x 14,15 x 51	SEK162.06
5	2332550	VALVE SEAL REINZ	SEK57.17
6	2280920	STUD CYLINDER HEAD - INTAKE MANIFOLD	SEK31.50



<b>1</b>	<b>2222850</b>	<b>CAMSHAFT 1750/2000 105.48.03.200.01</b>	<b>SEK3,486.23</b>
<b>2</b>	<b>2281370</b>	<b>WEDGE CAMSHAFT</b>	<b>SEK80.48</b>
<b>3</b>	<b>2280990</b>	<b>NUT SAFETY SCREW CAMSHAFT</b>	<b>SEK11.66</b>
<b>4</b>	<b>2280980</b>	<b>SAFETY SCREW CAMSHAFT</b>	<b>SEK40.79</b>
<b>5</b>	<b>2421210</b>	<b>NUT TIMING CHAIN SPROCKET</b>	<b>SEK25.67</b>
<b>6</b>	<b>2281230</b>	<b>TAB WASHER CAMSHAFT</b>	<b>SEK29.14</b>
<b>7</b>	<b>2421220</b>	<b>WASHER TIMING CHAIN SPROCKET</b>	<b>On request</b>
<b>8</b>	<b>2421200</b>	<b>CHAIN TENSIONER SPRING</b>	<b>SEK86.30</b>
<b>9</b>	<b>2421010</b>	<b>CHAIN TENSIONER SCREW</b>	<b>SEK80.48</b>
<b>10</b>	<b>2421000</b>	<b>CHAIN TENSIONER LOCKING BLOCK</b>	<b>SEK64.10</b>
<b>11</b>	<b>2410470</b>	<b>BOTTOM TIMING CHAIN 1300-2000 WITHOUT LINK</b>	<b>SEK320.65</b>
<b>11</b>	<b>2410470I</b>	<b>TIMING CHAIN IWIS 1300-2000 SHORT ENDLESS</b>	<b>SEK553.89</b>
<b>12</b>	<b>2412490I</b>	<b>TIMING CHAIN IWIS 1600 LONG WITH LINK</b>	<b>SEK931.57</b>
<b>12</b>	<b>2410460I</b>	<b>TIMING CHAIN IWIS 1750-2000 WITH LINK</b>	<b>SEK1,037.71</b>
<b>12</b>	<b>2412490</b>	<b>TOP TIMING CHAIN 1600 WITH LINK</b>	<b>SEK496.73</b>
<b>12</b>	<b>2410460</b>	<b>TOP TIMING CHAIN 1750-2000 WITH LINK</b>	<b>SEK496.73</b>
<b>12</b>	<b>2412480</b>	<b>TOP TIMING CHAIN 1300 WITH LINK</b>	<b>SEK496.73</b>
<b>12</b>	<b>2412480I</b>	<b>TIMING CHAIN IWIS 1300 LONG WITH LINK - 101, 105, 115, 116</b>	<b>SEK873.29</b>
<b>13</b>	<b>2410480</b>	<b>TIMING CHAIN LINK</b>	<b>SEK87.41</b>

1	2230260	INTAKE VALVE 1600-1750 41 mm	SEK185.37
1	2230270	INTAKE VALVE 2000 CARBURETTOR 44 mm	SEK197.03
1	2230300	EXHAUST VALVE 1600-1750 37 mm	SEK194.67
1	2230320	EXHAUST VALVE 2000 40 mm	SEK244.89
1	2230250	INTAKE VALVE 1300 37 mm	SEK193.56
1	2230280	EXHAUST VALVE 1300 34 mm	SEK194.67
1	2232120	INTAKE VALVE SPIDER 1990-93 2000 INJECTION	On request
2	2232920	VALVE SPRING CUP	On request
3	2232950	SHIM VALVE CUP / SPRING	SEK41.35
4	2232740	SET VALVE SPRINGS 16 PIECES	SEK991.09
5	2232930	UPPER SPRING CAP FOR VALVE SPRING	On request
6	2232960	VALVE COTTER 9MM	SEK22.20
7	2431140	SET VALVE SHIMS 200 PIECES 2,525 - 3,5 mm, DIAMETER 9mm	SEK6,517.78
7	2430840	SET VALVE SHIMS 205 PIECES 1,5 - 2,5 mm, DIAMETER 9mm	SEK6,517.78
7	2430430	VALVE SHIM 9MM PLEASE SUBMIT THE SIZE YOU NEED	SEK144.58
8	2240680	CAM FOLLOWER OE-QUALITY 101/105/115/116/75/155/164	SEK204.10
8	2240710	CAM FOLLOWER DLC RACING MADE IN ITALY 101/105/115/116/75/164	SEK460.51



1	2142330	ENGINE BLOCK 1300 SERIES 1 OIL FILTER CARTRIDGE STYLE USED	On request
1	2142250	ENGINE BLOCK 1300 SERIES 2 SPIN-ON STYLE OIL FILTER USED	On request
1	2142270	ENGINE BLOCK 1600 SERIES 2 SPIN-ON STYLE OIL FILTER USED	On request
1	2142280	1600 ENGINE MOUNT used Type 116 with oilfilter cartridge	On request
1	2142290	ENGINE BLOCK 1750 USED	On request
1	2142300	1800 ENGINE MOUNT used Type 116 with oilfilter cartridge	On request
1	2142310	ENGINE BLOCK 2000 105 SPIN-ON STYLE OIL FILTER USED	On request
1	2142320	2000 ENGINE MOUNT used type 116 with oilfilter cartridge	On request
2	2800671	ENGINE MOUNT ROUND LEFT EXHAUST RACING STRENGTHENED	SEK670.44
2	2280661	ENGINE MOUNT ROUND, LEFT EXHAUST	SEK523.50
3	2800672	ENGINE MOUNT ROUND RIGHT INTAKE RACING STRENGTHENED	SEK670.44
3	2280662	ENGINE MOUNT ROUND, RIGHT INTAKE	SEK523.50
4	2142720	TIMING COVER USED PLEASE SPECIFY WHICH MODEL	On request
5	2282360	ENGINE STUD 1750-2000 M12	SEK262.38
5	2282340	ENGINE STUD 1600 M11 - 101/105	SEK227.41
5	2282370	ENGINE STUD 1300 M11 - 101/105	SEK227.41
6	2281980	CENTRE STUD ENGINE BLOCK REAR	On request
7	4100500	SPACER ENGINE / TRANSMISSION 1967-93	SEK338.13
8	2281430	STUD ENGINE / TRANSMISSION	SEK55.36
9	8510020	OIL DIP STICK FOR 8cm PIPE 1974-86	SEK348.68
9	8510030	OIL DIP STICK FOR 12cm PIPE 1971-73	SEK348.68

1	2212215	PISTON / LINER 2000 CARBURETTOR	SEK1,690.67
1	2212235	PISTON / LINER 2000 HIGH COMPRESSION 10,4 : 1	SEK1,853.84
1	2212185	PISTON / LINER 1300	SEK1,620.74
1	2212195	PISTON / LINER 1600	SEK1,620.74
1	2212205	PISTON / LINER 1750	SEK1,620.74
1	2212245	PISTON / LINER 2000 MOTRONIC	SEK1,970.53
1	2212295	PISTON LINER 1600 FORGED, MAHLE	SEK4,488.98
2	2281135	SET PISTON RINGS 1300 1.5/1.75/4.0mm (FOR 1 PISTON)	SEK430.26
2	2282715	SET PISTON RINGS 1600 1.5/1.75/3.5mm (FOR 1 PISTON)	On request
2	2280915	SET PISTON RINGS 1600 1.5/1.75/4.0mm (FOR 1 PISTON)	SEK412.78
2	2282235	SET PISTON RINGS 1750 1.5/1.75/3.5mm (FOR 1 PISTON)	SEK453.57
2	2282245	SET PISTON RINGS 1750 1.5/1.75/4.0mm (FOR 1 PISTON)	SEK454.68
2	2282935	SET PISTON RINGS 2000 1.5/1.75/4.0mm (FOR 1 PISTON)	SEK454.68
2	2280925	SET PISTON RINGS 2000 1.5/1.75/4.5mm (FOR 1 PISTON)	SEK426.80
3	2330870	O-RING LINER 1300	SEK26.78
3	2330880	O-RING LINER 1600/1750	SEK40.79
3	2330900	O-RING LINER 2000	SEK28.58
4	2212315	LINER 1600, 78 MM	SEK1,107.64
4	2212335	LINER 2000, 84 mm	SEK1,107.64
4	2212325	LINER 1750, 80 MM	SEK1,387.50

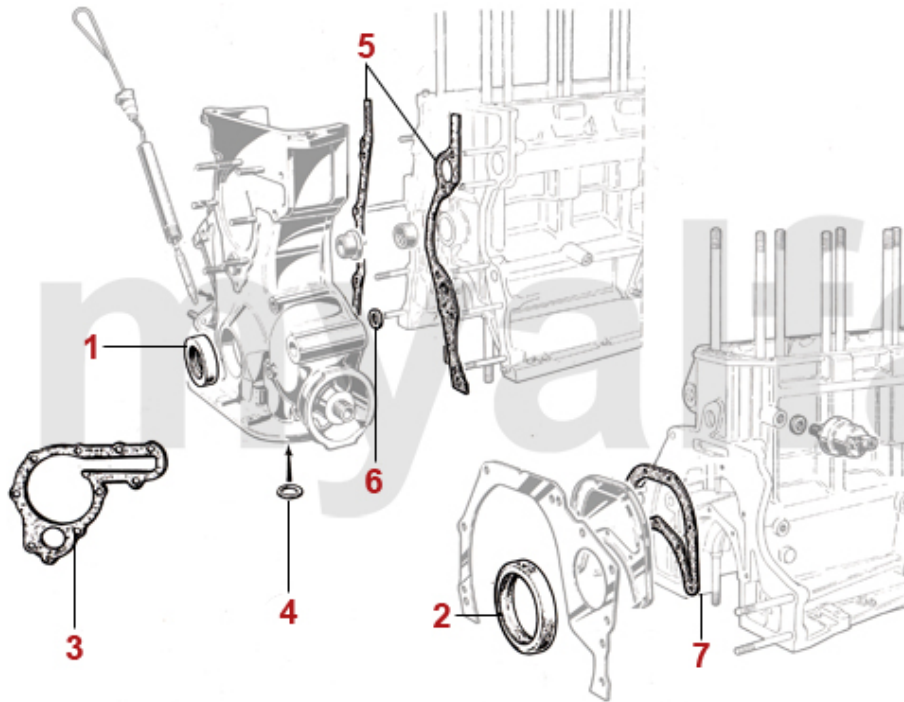
1	2130120	CON ROD 1300 USED (PLEASE SUBMIT THE WEIGHT YOU NEED)	On request
1	2130130	CON ROD 1600 USED (PLEASE SUBMIT THE WEIGHT YOU NEED)	On request
1	2130140	CON ROD 1750 USED (PLEASE SUBMIT THE WEIGHT YOU NEED)	On request
1	2130150	CON ROD 2000 NEW	SEK1,504.05
2	2260160	SMALL END BEARING 1300	SEK262.38
2	2261120	SMALL END BEARING 1600 - 2000	SEK239.07
3	2260200	BIG END BEARINGS (Set) 1600-2000 1. OVERSIZE 0,10	SEK722.89
3	2260220	BIG END BEARINGS (Set) 1600-2000 2. OVERSIZE 0,20	SEK722.89
3	2260780	BIG END BEARINGS (Set) 1600-2000 3. OVERSIZE 0.30	SEK722.89
3	2260180	BIG END BEARINGS (Set) 1600-2000 STANDARD	SEK722.89
3	2260190	BIG END BEARINGS (Set) 1300 1. OVERSIZE 0,10	SEK1,008.57
3	2260210	BIG END BEARINGS (Set) 1300 2. OVERSIZE 0,20	SEK1,008.57
3	2260770	BIG END BEARINGS (Set) 1300 3. OVERSIZE 0.30	SEK1,008.57
3	2260170	BIG END BEARINGS (Set) 1300 STANDARD	SEK1,008.57
3	2260150	CON ROD BEARINGS SET KING XP RACING 1600-2000, STD	SEK1,364.19
3	2260310	CON ROD BEARING SET XP RACING 1600-2000, 1ST OVERSIZE	SEK1,364.19
3	2260120	CONNECTING ROD BEARINGS SET ACL RACE SERIES STD 1600-2000 - STD SIZE	SEK1,276.78
3	2260121	CONNECTING ROD BEARINGS SET ACL RACE SERIES 4-LAYERS, 1600-2000 - 1ST OVERSIZE (0.10/0,25)	SEK1,340.88
4	2261050	CON ROD BOLT SET (2PC) 1750-2000 ALSO POSSIBLE FOR 1600	SEK231.99
5	2261080	CON ROD NUT 1600-2000	SEK57.17
6	2261380	TAB WASHER CON ROD NUT 1300	SEK14.01
6	2261390	TAB WASHER CON ROD NUT (SET 2 PCS) 1600-1750	SEK30.25

1	2280940	CRANK PULLEY NUT 1963-89	SEK227.41
1	2282690	CRANK PULLEY NUT SPIDER INJECTION MODELS 1986-93	SEK227.41
2	2280970	TAB WASHER CRANK PULLEY NUT	SEK60.63
3	2710370	ALUMINIUM PULLEY , 360 DEGREE SCALE, 125mm - BLACK	SEK1,853.84
3	2710310	PULLEY STEEL 105mm - 101/105 OE-QUALITY	SEK1,037.71
3	2710320	PULLEY STEEL 125 MM - 105/115/116 OE-QUALITY	SEK1,037.71
3	2710380	ALUMINIUM PULLEY , 360 DEGREE SCALE, 105mm - BLACK	SEK1,853.84
4	2280950	ALUMINIUM PLUG CRANKSHAFT (SET 6 PCS) 6 mm DIAMETER	SEK139.86
4	2280960	ALUMINIUM PLUG CRANKSHAFT (SET 6 PCS) 6,25 mm	SEK139.86
5	2251110	CRANK SPIGOT BUSH 24 mm	SEK127.10
5	2251100	CRANK SPIGOT BUSH 20 mm / 1750 ccm	SEK127.10
6	4222790	FLYWHEEL STEEL 8 HOLE 130 TEETH 6.25 kg LIGHT WEIGHT HYDRAULIC CLUTCH	SEK8,033.49
6	4212750	FLYWHEEL STEEL 6 HOLE 130 TEETH LIGHT WEIGHT 4,60 kgHYDRAULIC CLUTCH UP TO 1989	SEK8,499.83
6	4212760	FLYWHEEL STEEL 6 HOLE STARTER RING 105 TEETH / 5,95KG CONV. 2,0 TO MECH. CLUTCH	SEK7,567.15
6	4212840	FLYWHEEL STEEL 6 HOLE SPIDER 1990-93 ORIGINAL	On request
6	4212420	FLYWHEEL MECHANICAL CLUTCH 8-HOLE 105 TEETH, LIGHT WEIGHT7 KG	SEK8,033.49
7	4233060	RING GEAR FLYWHEEL 110 TEETH HYDRAULIC CLUTCH UP TO 1969	SEK1,387.50
7	4233080	RING GEAR FLYWHEEL 130 TEETH HYDRAULIC CLUTCH 1969-89	SEK1,387.50
7	4233090	RING GEAR FOR FLYWHEEL 6 HOLE TYPE, 131 TEETH OE.60516249	SEK1,352.54
8	4211550	SCREW FLYWHEEL 6 HOLE	SEK57.72
8	4211560	SCREW FLYWHEEL 8 HOLE	SEK68.82
9	4211500	TAB WASHER SCREW FLYWHEEL (SET 4 PCS) 8 HOLE	SEK115.44



1	2330220	OIL SEAL CRANK SHAFT FRONT 35/50/10	SEK110.72
1	2330360	OIL SEAL CRANK SHAFT FRONT 35/50/10, ORIGINAL QUALITY	SEK208.13
2	2330600	OIL SEAL CRANK SHAFT REAR 84/105/12 SPIDER IE 1990-93 ORIGINAL QUALITY	SEK406.95
2	2330230	OIL SEAL CRANK SHAFT REAR 82/105/12 750/101/105/115/116 UP TO 1989, OEM QUALITY	SEK383.64
3	2250100	MAIN BEARINGS (Set) 1300-2000 - 1. OVERSIZE 0,10	SEK873.29
3	2250110	MAIN BEARINGS (Set) 1300-2000 2. OVERSIZE 0,20	SEK873.29
3	2250750	MAIN BEARINGS 1300-2000 3. OVERSIZE 0.30	SEK873.29
3	2250090	MAIN BEARINGS (Set) 1300-2000 STANDARD	SEK873.29
3	2250150	MAIN BEARING SET KING XP RACING 1300-2000 STD -101/105/115/116/75/155/164	SEK2,390.25
3	2250151	MAIN BEARING SET KING XP RACING 1300-2000 0.10 -101/105/115/116/75/155/164	SEK2,670.11
3	2250120	MAIN BEARING SET ACL RACE SERIES 4-LAYERS, 1300-2000 - STD SIZE	SEK2,553.42
3	2250121	MAIN BEARING SET ACL RACE SERIES 4-LAYERS 1300-2000 - 1ST OVERSIZE (0.10/0,25)	SEK2,390.25
4	2240810	SET THRUST WASHERS - 101/105/115/116/75/155/164 - STANDARD	SEK250.72
4	2240820	THRUST WASHER SET - 101/105/115/116/75/155/164 - 0.005	SEK332.31
4	2240830	THRUST WASHER SET - 101/105/115/116/75/155/164 - 0.010	SEK320.65
5	2282730	TAB WASHER SET 13 PIECES MAIN BEARING / CAMSHAFT / PULLEY	SEK250.72
6	2282700	MAIN BEARING LOCKNUT	SEK22.20
7	2251490	TAB WASHER 5th MAIN BEARING	SEK17.48
8	2331550	MAIN BEARING 'CIGARETTE' OIL SEAL	SEK46.07
9	2280160	HEX NUT FOR MAIN BEARING BRACKET	SEK10.55

<b>1</b>	<b>2270600</b>	<b>OIL PUMP 1300-2000 ORIGINAL</b>	<b>On request</b>
<b>1</b>	<b>2270650</b>	<b>OE.105320401301 OIL PUMP 1300-1600 GTA</b>	<b>SEK10,482.01</b>
<b>1</b>	<b>2270010</b>	<b>OIL PUMP 1300-2000 AFTERMARKET</b>	<b>SEK2,740.04</b>
<b>2</b>	<b>2140580</b>	<b>UPPER OIL PAN USED (WITH HOLES, NO THREAD)</b>	<b>On request</b>
<b>2</b>	<b>2142940</b>	<b>UPPER OIL PAN USED VERSION (WITH STUDS)</b>	<b>On request</b>
<b>3</b>	<b>2280590</b>	<b>LATE LOWER SUMP PAN (NOT FOR EARLY 60s MODELS)</b>	<b>SEK2,087.08</b>
<b>4</b>	<b>2280120</b>	<b>SUMP PLUG WITH MAGNET</b>	<b>SEK150.41</b>
<b>5</b>	<b>2330060</b>	<b>SUMP PLUG WASHER SUMP / TRANSMISSION / DIFFERENTIAL</b>	<b>SEK18.59</b>
<b>6</b>	<b>2280130</b>	<b>HEX BOLT FOR UPPER OILPAN PART M7x1x30</b>	<b>SEK11.10</b>
<b>7</b>	<b>2280140</b>	<b>HEX BOLT FOR UPPER OIL PAN PART M7x1x35</b>	<b>SEK11.66</b>
<b>8</b>	<b>2280150</b>	<b>HEX NUT FOR BOLT ON UPPER OILPAN PART</b>	<b>SEK6.94</b>
<b>9</b>	<b>1350620</b>	<b>SUMP GUARD YELLOW COATED</b>	<b>SEK1,037.71</b>



<b>1</b>	<b>2330220</b>	<b>OIL SEAL CRANK SHAFT FRONT 35/50/10</b>	<b>SEK110.72</b>
<b>1</b>	<b>2330360</b>	<b>OIL SEAL CRANK SHAFT FRONT 35/50/10, ORIGINAL QUALITY</b>	<b>SEK208.13</b>
<b>2</b>	<b>2330600</b>	<b>OIL SEAL CRANK SHAFT REAR 84/105/12 SPIDER IE 1990-93 ORIGINAL QUALITY</b>	<b>SEK406.95</b>
<b>2</b>	<b>2330230</b>	<b>OIL SEAL CRANK SHAFT REAR 82/105/12 750/101/105/115/116 UP TO 1989, OEM QUALITY</b>	<b>SEK383.64</b>
<b>3</b>	<b>2330470</b>	<b>WATERPUMP GASKET - 105, 115, 101 1600 - FOR MECHNICAL REV-COUNTER</b>	<b>SEK66.46</b>
<b>4</b>	<b>2330730</b>	<b>O-RING OIL PUMP</b>	<b>SEK19.29</b>
<b>5</b>	<b>2331330</b>	<b>TIMING COVER GASKET SET (5pc)</b>	<b>SEK185.37</b>
<b>6</b>	<b>2330760</b>	<b>O-RING TIMING COVER 101/105/115/116</b>	<b>SEK57.17</b>
<b>7</b>	<b>2330610</b>	<b>REAR COVER PLATE GASKET</b>	<b>SEK48.98</b>

<b>1</b>	<b>2330440</b>	<b>HEAD GASKET 1600 REINZ BEST QUALITY</b>	<b>SEK581.78</b>
<b>1</b>	<b>2330450</b>	<b>HEAD GASKET 1750 REINZ BEST QUALITY</b>	<b>SEK553.89</b>
<b>1</b>	<b>2330460</b>	<b>HEAD GASKET 2000 REINZ BEST QUALITY</b>	<b>SEK647.13</b>
<b>1</b>	<b>2330690</b>	<b>HEAD GASKET 1600 COPPER - 1.85 MM</b>	<b>SEK832.50</b>
<b>1</b>	<b>2330680</b>	<b>HEAD GASKET 2000 COPPER - 1,85MM</b>	<b>SEK832.50</b>
<b>1</b>	<b>2330740</b>	<b>HEAD GASKET 1300 COPPER - 1.85MM</b>	<b>SEK757.85</b>
<b>1</b>	<b>2330430</b>	<b>HEAD GASKET 1300 REINZ BEST QUALITY</b>	<b>SEK581.78</b>
<b>1</b>	<b>2333440</b>	<b>CYLINDER HEAD GASKET 1600 PAYEN 1.9mm</b>	<b>SEK635.34</b>
<b>1</b>	<b>2333450</b>	<b>CYLINDER HEAD GASKET 1750 PAYEN 1.9mm</b>	<b>On request</b>
<b>1</b>	<b>2333460</b>	<b>CYLINDER HEAD GASKET 2000 PAYEN 1.9mm</b>	<b>SEK635.48</b>
<b>2</b>	<b>2330130</b>	<b>CAM COVER GASKET WITH SILICONE STRIP</b>	<b>SEK306.64</b>
<b>2</b>	<b>2330650</b>	<b>VALVE COVER GASKET REINZ (2mm)</b>	<b>SEK442.47</b>
<b>3</b>	<b>2330310</b>	<b>RUBBER CAM COVER REAR</b>	<b>SEK28.03</b>
<b>4</b>	<b>2330550</b>	<b>CAM COVER SCREW GASKET ALUMINIUM (SET 2PC) 750/101/102/106/105/116</b>	<b>SEK37.32</b>
<b>5</b>	<b>2330560</b>	<b>CAM COVER SCREW GASKET FIBRE</b>	<b>SEK68.82</b>
<b>6</b>	<b>3800200</b>	<b>GASKET CYLINDER HEAD / EXHAUST MANIFOLD</b>	<b>SEK43.15</b>

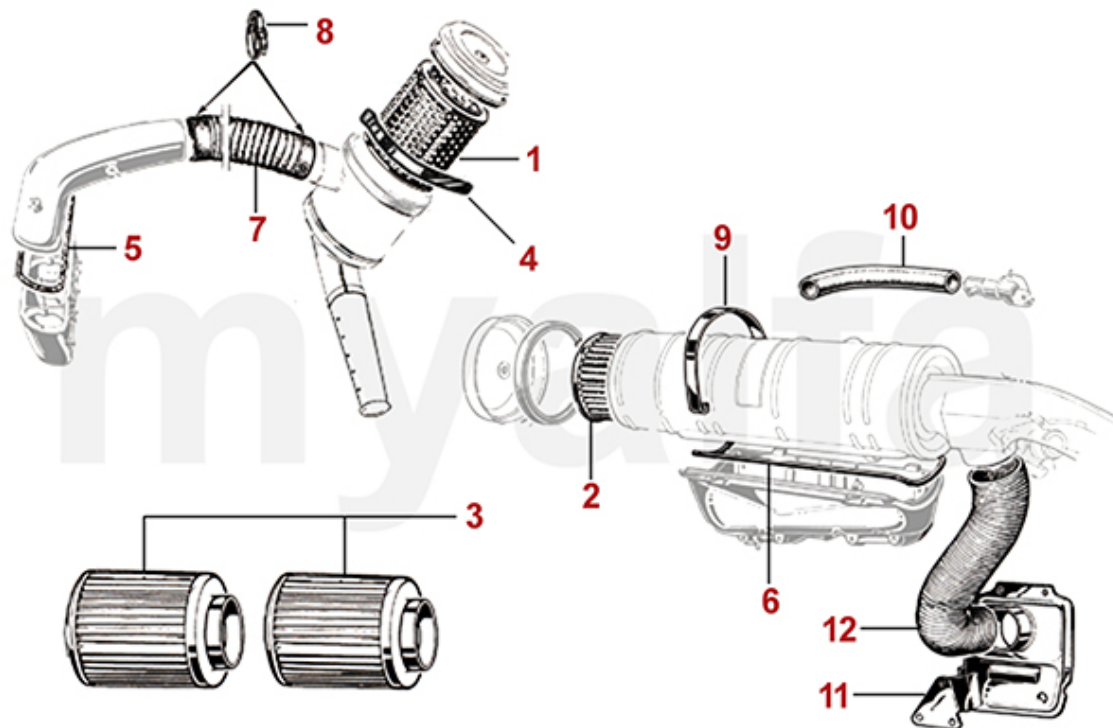
<b>1</b>	<b>2321300</b>	<b>HEAD GASKET SET WITHOUT CLYINDER HEAD GASKET CARBURETTOR 1300/1600 1968&gt;</b>	<b>SEK580.67</b>
<b>1</b>	<b>2321310</b>	<b>HEAD GASKET SET WITHOUT CYLINDER HEAD GASKET CARBURETTOR 1969-82</b>	<b>SEK580.67</b>
<b>1</b>	<b>2321320</b>	<b>HEAD GASKET SET WITHOUT CYLINDER HEAD GASKET CARBURETTOR FROM 1982 ON</b>	<b>SEK641.30</b>
<b>2</b>	<b>2310310</b>	<b>ENGINE GASKET SET WITHOUT HEAD GASKET AND O-RINGS CARBURETTOR 1300/1600 &gt;1968</b>	<b>SEK921.16</b>
<b>2</b>	<b>2310320</b>	<b>ENGINE GASKET SET WITHOUT HEAD GASKET AND O-RINGS CARBURETTOR 1969-82</b>	<b>SEK921.16</b>
<b>3</b>	<b>2310350</b>	<b>MOTOR GASKET SET REINZ WITH HEADGASKET AND O-RINGS CARBURETTOR 2000</b>	<b>SEK3,369.68</b>

<b>1</b>	<b>2330730</b>	<b>O-RING OIL PUMP</b>	<b>SEK19.29</b>
<b>2</b>	<b>2330620</b>	<b>UPPER SUMP GASKET WITH SILICONE STRIP</b>	<b>SEK378.93</b>
<b>3</b>	<b>2330140</b>	<b>LOWER SUMP GASKET</b>	<b>SEK162.06</b>
<b>3</b>	<b>2330590</b>	<b>LOWER SUMP GASKET WITH SILICONE STRIP</b>	<b>SEK292.62</b>
<b>4</b>	<b>2330510</b>	<b>OIL SUMP RUBBER T-PROFILE</b>	<b>SEK55.36</b>
<b>5</b>	<b>2330060</b>	<b>SUMP PLUG WASHER SUMP / TRANSMISSION / DIFFERENTIAL</b>	<b>SEK18.59</b>



<b>1</b>	<b>2930200</b>	<b>FUEL FILTER ASSAMBLY KING ALUMINIUM WITH PRESSURE ADJUSTER SCREW</b>	<b>SEK1,234.74</b>
<b>1</b>	<b>2930210</b>	<b>FUEL FILTER ASSAMBLY KING GLASS WITH PRESSURE ADJUSTER SCREW</b>	<b>SEK1,234.74</b>
<b>2</b>	<b>2930070</b>	<b>FUEL FILTER FISPA 35 mm</b>	<b>SEK87.41</b>
<b>3</b>	<b>2930220</b>	<b>RUBBER SEAL FUEL FILTER HOUSING FISPA</b>	<b>SEK80.34</b>
<b>3</b>	<b>2930230</b>	<b>O-RING FOR KING FUEL FILTER BETWEEN CAP AND GLASS</b>	<b>SEK80.34</b>
<b>4</b>	<b>2930130</b>	<b>FUEL FILTER KING 40mm</b>	<b>SEK99.07</b>
<b>5</b>	<b>2930140</b>	<b>FUEL FILTER SPIDER 2000 IE 1986-93</b>	<b>SEK309.00</b>
<b>6</b>	<b>2930120</b>	<b>FUEL FILTER SPICA INJECTION 4-CYLINDER</b>	<b>SEK277.50</b>
<b>7</b>	<b>2910040</b>	<b>OIL FILTER CARTRIDGE INCL. SEAL RING 750, 101, 102 SERIES 2, 105, 106 - FROM 1954 TO 1970 -</b>	<b>SEK197.03</b>
<b>8</b>	<b>2910030</b>	<b>SEAL RING FOR OIL FILTER HOUSING UNTIL 1966 78MM</b>	<b>SEK45.51</b>
<b>9</b>	<b>2330820</b>	<b>GASKET OIL FILTER SUPPORT SERIES 1</b>	<b>SEK38.43</b>
<b>10</b>	<b>2910050</b>	<b>SPIN-ON STYLE OIL FILTER</b>	<b>SEK115.44</b>
<b>10</b>	<b>2910230</b>	<b>OILFILTER ORANGE - ORIGINAL RETRO DESIGN</b>	<b>SEK208.68</b>
<b>10</b>	<b>2910220</b>	<b>SPIN-ON STYLE OIL FILTER ORIGINAL Alfa Romeo</b>	<b>SEK173.72</b>
<b>11</b>	<b>2280120</b>	<b>SUMP PLUG WITH MAGNET</b>	<b>SEK150.41</b>
<b>12</b>	<b>2330060</b>	<b>SUMP PLUG WASHER SUMP / TRANSMISSION / DIFFERENTIAL</b>	<b>SEK18.59</b>
<b>13</b>	<b>2950050</b>	<b>CONVERSION KIT OILFILTER (750/101/105 1st SERIES) FROM INSET TO SCREW ON</b>	<b>SEK3,836.02</b>





<b>1</b>	<b>2920030</b>	<b>AIR FILTER 1300-1750 SERIES 1 EXHAUST SIDE</b>	<b>SEK815.02</b>
<b>2</b>	<b>2920020</b>	<b>AIR FILTER 1300-2000 400mm</b>	<b>SEK274.03</b>
<b>3</b>	<b>2920210</b>	<b>AIR FILTER SPICA 4-CYLINDER 2-teilig</b>	<b>SEK483.82</b>
<b>4</b>	<b>2520110</b>	<b>AIR FILTER CLAMP GIULIA, GT BERTONE, SPIDER 105SERIES 1</b>	<b>SEK571.37</b>
<b>5</b>	<b>2330200</b>	<b>AIR BOX COVER GASKET SERIES 1, AIR FILTER ON THE LEFT SIDE</b>	<b>SEK95.60</b>
<b>6</b>	<b>2330110</b>	<b>AIR FILTER HOUSING RUBBER SEALS 2 PIECES</b>	<b>SEK115.44</b>
<b>7</b>	<b>2550080</b>	<b>HOSE AIR FILTER-CARBURETTOR 1300-1750 SERIES 1</b>	<b>SEK629.65</b>
<b>8</b>	<b>2580380</b>	<b>HOSE CLAMP BREVETTI ROMA BLOK 80-100mm</b>	<b>SEK329.95</b>
<b>9</b>	<b>2520100</b>	<b>CLAMP AIR FILTER BOX</b>	<b>SEK320.65</b>
<b>10</b>	<b>2280190</b>	<b>CRANK CASE VENT HOSE CARBURETTOR MODELS</b>	<b>SEK173.72</b>
<b>11</b>	<b>2521920</b>	<b>PREHEATING PLATE</b>	<b>On request</b>
<b>12</b>	<b>2550090</b>	<b>HOT AIR DUCTING TUBE</b>	<b>SEK277.50</b>

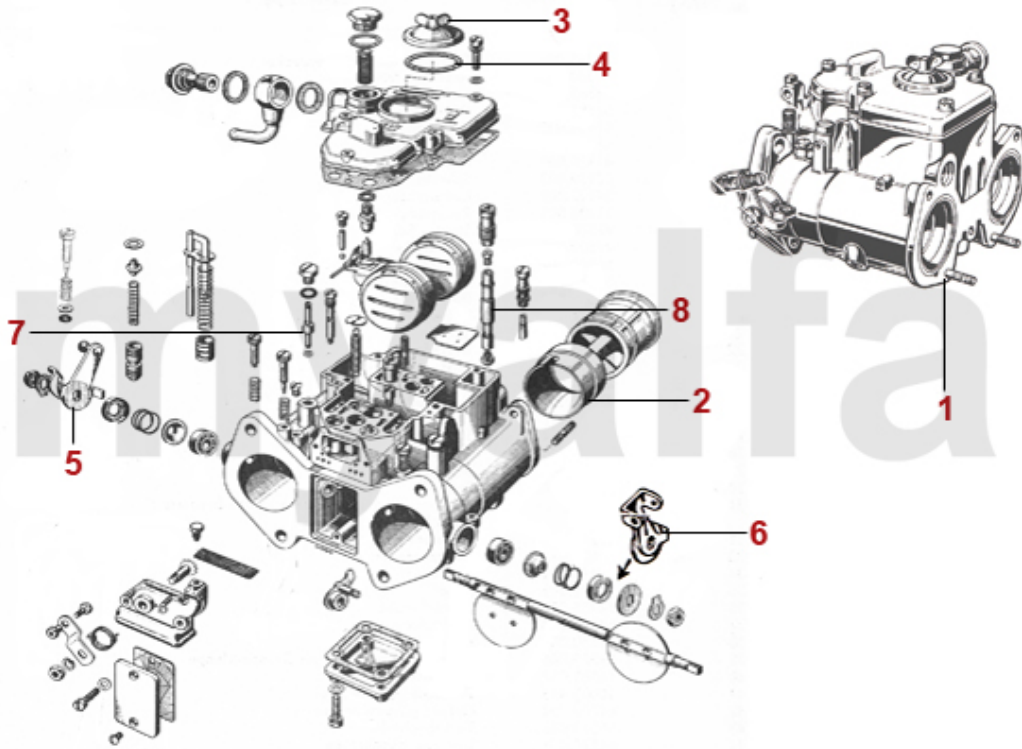
1	3110300	EXHAUST MANIFOLD CYLINDER 1+4 1600 - 2000 CARBURETTOR MODELS	On request
2	3110310	EXHAUST MANIFOLD SET CYLINDER 1/4 and 2/3 1600 - 2000 CARBURETTOR MODELS	SEK3,380.09
3	2280930	STUD CYLINDER HEAD / EXHAUST MANIFOLD	SEK26.78
4	2282610	COPPER NUT M 8 x 1 WRENCH SIZE 12mm EXHAUST MANIFOLD	SEK11.10
4	2281280	BRASS NUT EXHAUST MANIFOLD M 8 x 1 WRENCH SIZE 13 mm	SEK26.78
5	3310760	FRONT EXHAUST SECTION 1750 STANDING PEDALS	SEK2,436.87
5	3310520	FRONT EXHAUST SECTION 1300-1600 STANDING PEDALS	SEK1,690.67
5	3310540	FRONT EXHAUST SECTION GT BERTONE HANGING PEDALS	SEK2,553.42
6	3410190	MIDDLE EXHAUST SECTION GIULIA/ GT BERTONE/BERLINA HANGING PEDALS	SEK1,457.43
6	3410770	MIDDLE EXHAUST SECTION GIULIA/ GT BERTONE / BERLINA STANDING PEDALS	SEK1,048.26
7	3510220	REAR EXHAUST SECTION GIULIA/ GT BERTONE	SEK1,113.47
8	3520240	REAR EXHAUST PIPE GIULIA / BERONE GT / SPIDER - 82 / BERLINA	SEK1,270.95
8	3520250	SPORT EXHAUST PIPE STAINLESS STEEL GIULIA / BERONE GT / SPIDER - 82 / BERLINA	SEK1,387.50
9	3120720	HEADER GTA	SEK9,910.77
10	3330730	GTA FRONT / MIDDLE EXHAUST SECTION, 53MM INNER DIAMETER	SEK7,170.74
11	3510740	REAR EXHAUST SECTION GTA	SEK2,553.42
12	3520750	REAR EXHAUST PIPE GTA NO TÜV	SEK1,748.94
13	3520800	Sidepipe GTA FRONT	SEK3,486.23
14	3520810	Sidepipe GTA REAR	SEK4,372.43
15	38056203	GASKET HEADER / FRONT EXHAUST SECTION GTA	SEK73.40
16	38094003	OE. 82407147 GASKET	SEK122.38

<b>1</b>	<b>3800200</b>	<b>GASKET CYLINDER HEAD / EXHAUST MANIFOLD</b>	<b>SEK43.15</b>
<b>2</b>	<b>3800210</b>	<b>EXHAUST MANIFOLD TO DOWNPIPE GASKET</b>	<b>SEK48.98</b>
<b>3</b>	<b>3800470</b>	<b>GASKET ONE PIECE EXHAUST / FRONT EXHAUST SECTION</b>	<b>SEK116.55</b>
<b>4</b>	<b>3800590</b>	<b>GASKET CATALYST / MIDDLE EXHAUST SECTION SPIDER 1986-93</b>	<b>SEK79.23</b>
<b>5</b>	<b>3800270</b>	<b>O-RING MIDDLE EXHAUST / REAR EXHAUST</b>	<b>SEK68.82</b>
<b>6</b>	<b>1190850</b>	<b>FRONT EXHAUST HEAT PROTECTION PLATE 1970-89 W/O CATALYST</b>	<b>SEK641.30</b>
<b>7</b>	<b>1190840</b>	<b>FRONT EXHAUST HEAT PROTECTION PLATE SPIDER 1970-89</b>	<b>SEK641.30</b>
<b>8</b>	<b>3800400</b>	<b>UPPER GEARBOX EXHAUST BRACKET</b>	<b>SEK577.20</b>
<b>9</b>	<b>3800450</b>	<b>LOWER GEARBOX EXHAUST BRACKET HANGING PEDALS</b>	<b>SEK571.37</b>
<b>9</b>	<b>3800420</b>	<b>LOWER GEARBOX EXHAUST BRACKET STANDING PEDALS</b>	<b>SEK991.09</b>
<b>10</b>	<b>3800280</b>	<b>GEARBOX EXHAUST HANGER BUSH</b>	<b>SEK110.72</b>
<b>11</b>	<b>3900330</b>	<b>EXHAUST CLAMP</b>	<b>SEK39.68</b>
<b>12</b>	<b>3800260</b>	<b>EXHAUST RUBBER HANGER</b>	<b>SEK58.28</b>
<b>13</b>	<b>3800500</b>	<b>SET JACKET EXHAUST HANGER RUBBERS (2PC)</b>	<b>SEK67.43</b>
<b>14</b>	<b>3800510</b>	<b>EXHAUST HANGER RUBBER WASHER (SET 2)</b>	<b>SEK127.10</b>
<b>15</b>	<b>3800250</b>	<b>EXHAUST MAOUNTING KIT CARBURETTOR MODELS</b>	<b>SEK384.75</b>

0	3121050	EXHAUST SYSTEM, 60mm/V1A ALUMINIZED ORIG. RETRO LOOK	SEK11,414.82
4	3520240	REAR EXHAUST PIPE GIULIA / BERONE GT / SPIDER - 82 / BERLINA	SEK1,270.95
4	3520250	SPORT EXHAUST PIPE STAINLESS STEEL GIULIA / BERONE GT / SPIDER - 82 / BERLINA	SEK1,387.50

1	2520170	SINGLE CARBURETTOR RUBBER MOUNT 40 mm PREMIUM QUALITY	SEK402.24
1	2520750	SET SOLID ALUMINIUM CARBURETTOR MOUNTS 40mm	SEK1,922.66
2	2520180	DOUBLE CARBURETTOR RUBBER MOUNT 40 mm PREMIUM QUALITY	SEK687.92
3	2330350	HD CARBURETTOR MOUNT GASKET (8 PCS) 40 mm REINFORCED	SEK127.10
4	2330160	INTAKE MANIFOLD GASKET 1600-2000 CARBURETTOR MODELS FROM 1968 ON	SEK158.59
4	2330780	INTAKE MANIFOLD GASKET 1300 FROM 1968 ON	SEK180.79
4	2330100	INTAKE MANIFOLD GASKET 1600-2000 CARBURETTOR MODELS REINZ (WITHOUT METALL INLAY)	SEK225.05
4	2330800	INTAKE MANIFOLD GASKET 1300/1600 UNTIL 1968	SEK220.34
5	2330520	CARBURETTOR TO AIRBOX GASKET	SEK38.43
6	6710630	VACUUM NON RETURN VALVE BRAKE BOOSTER (M16x1,5)	SEK535.16
6	6710620	VACUUM NON RETURN VALVE BRAKE BOOSTER (5/8" INCH)	SEK535.16
7	2521050	HEATER HOSE VACUUM TAP INTAKE MANIFOLD 105/115 6mm	SEK215.76
8	2281270	STEEL NUT INTAKE MANIFOLD M 8 x 1 WRENCH SIZE 12 mm	SEK10.55
9	2510640	CARBURETTOR STAY BUSH	SEK104.90
10	8701070	GROUND STRAP CARBURETTOR TO BODY 120 mm	SEK92.13
11	2630010	VENT SCREW COOLANT INTAKE MANIFOLD/THERMOSTAT	SEK92.13
12	2630020	SEAL RING FOR VENT SCREW	SEK5.27

<b>1</b>	<b>2520340</b>	<b>CARBURETTOR RUBBER MOUNT 45 mm</b>	<b>SEK408.06</b>
<b>2</b>	<b>2330770</b>	<b>HD CARBURETTOR MOUNT GASKET 45 mm TS-9003</b>	<b>SEK20.40</b>
<b>3</b>	<b>2330160</b>	<b>INTAKE MANIFOLD GASKET 1600-2000 CARBURETTOR MODELS FROM 1968 ON</b>	<b>SEK158.59</b>
<b>3</b>	<b>2330780</b>	<b>INTAKE MANIFOLD GASKET 1300 FROM 1968 ON</b>	<b>SEK180.79</b>
<b>3</b>	<b>2330100</b>	<b>INTAKE MANIFOLD GASKET 1600-2000 CARBURETTOR MODELS REINZ (WITHOUT METALL INLAY)</b>	<b>SEK225.05</b>
<b>3</b>	<b>2330800</b>	<b>INTAKE MANIFOLD GASKET 1300/1600 UNTIL 1968</b>	<b>SEK220.34</b>
<b>4</b>	<b>2330200</b>	<b>AIR BOX COVER GASKET SERIES 1, AIR FILTER ON THE LEFT SIDE</b>	<b>SEK95.60</b>
<b>5</b>	<b>2330520</b>	<b>CARBURETTOR TO AIRBOX GASKET</b>	<b>SEK38.43</b>
<b>6</b>	<b>2510640</b>	<b>CARBURETTOR STAY BUSH</b>	<b>SEK104.90</b>
<b>7</b>	<b>2521050</b>	<b>HEATER HOSE VACUUM TAP INTAKE MANIFOLD 105/115 6mm</b>	<b>SEK215.76</b>
<b>8</b>	<b>6710630</b>	<b>VACUUM NON RETURN VALVE BRAKE BOOSTER (M16x1,5)</b>	<b>SEK535.16</b>
<b>8</b>	<b>6710620</b>	<b>VACUUM NON RETURN VALVE BRAKE BOOSTER (5/8" INCH)</b>	<b>SEK535.16</b>
<b>9</b>	<b>8701070</b>	<b>GROUND STRAP CARBURETTOR TO BODY 120 mm</b>	<b>SEK92.13</b>
<b>10</b>	<b>2281270</b>	<b>STEEL NUT INTAKE MANIFOLD M 8 x 1 WRENCH SIZE 12 mm</b>	<b>SEK10.55</b>
<b>11</b>	<b>2630010</b>	<b>VENT SCREW COOLANT INTAKE MANIFOLD/THERMOSTAT</b>	<b>SEK92.13</b>
<b>12</b>	<b>2630020</b>	<b>SEAL RING FOR VENT SCREW</b>	<b>SEK5.27</b>

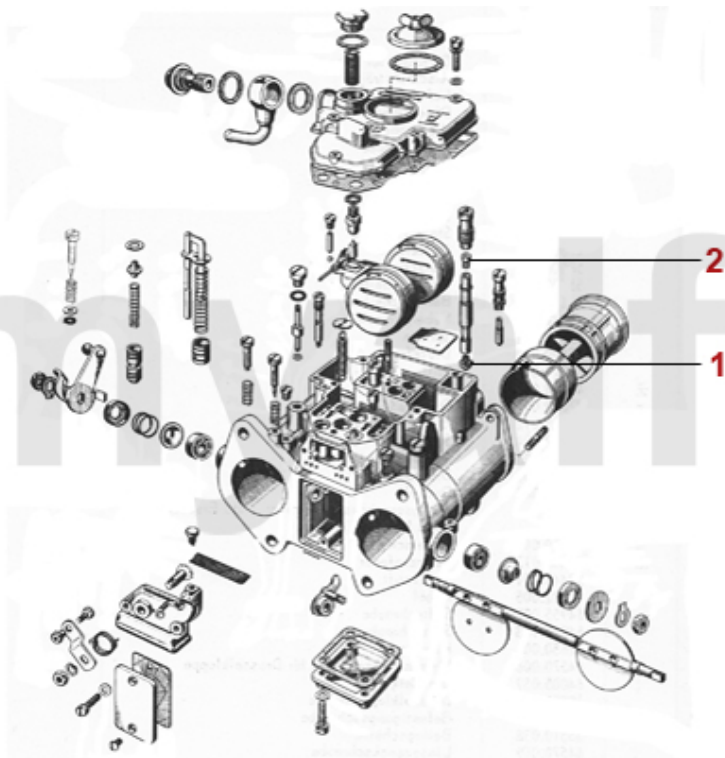


<b>1</b>	<b>2511470</b>	<b>WEBER 45 DCOE 152</b>	<b>SEK8,733.06</b>
<b>1</b>	<b>2511440</b>	<b>WEBER 40 DCOE 151 (SET 2 pc.), 1300</b>	<b>SEK18,643.84</b>
<b>1</b>	<b>2511450</b>	<b>WEBER 40 DCOE 151 (SET 2 pc.), 1600</b>	<b>SEK18,643.84</b>
<b>1</b>	<b>2511460</b>	<b>WEBER 40 DCOE 151 (SET 2 pc.), 2000</b>	<b>SEK18,643.84</b>
<b>1</b>	<b>2511490</b>	<b>WEBER 40 DCOE 151 (SET 2 pc.), 1750/1800</b>	<b>SEK18,643.84</b>
<b>2</b>	<b>2524670</b>	<b>OUTER VENTURI 40DCOE 34mm</b>	<b>SEK535.16</b>
<b>3</b>	<b>2521770</b>	<b>JET COVER WEBER DCOE</b>	<b>SEK402.24</b>
<b>4</b>	<b>2333020</b>	<b>JET COVER GASKET WEBER DCOE</b>	<b>SEK40.79</b>
<b>5</b>	<b>2523040</b>	<b>CONNECTION ARM WEBER DCOE REAR</b>	<b>SEK644.77</b>
<b>6</b>	<b>2523030</b>	<b>CONNECTION ARM WEBER DCOE FRONT</b>	<b>SEK525.86</b>
<b>7</b>	<b>2523010</b>	<b>PUMP JET 35 WEBER DCOE 40</b>	<b>SEK174.27</b>
<b>8</b>	<b>2522990</b>	<b>EMULSION TUBE F 16 WEBER DCOE 40</b>	<b>SEK378.93</b>
<b>8</b>	<b>2523000</b>	<b>EMULSION TUBE F 9 WEBER DCOE 40</b>	<b>SEK378.93</b>



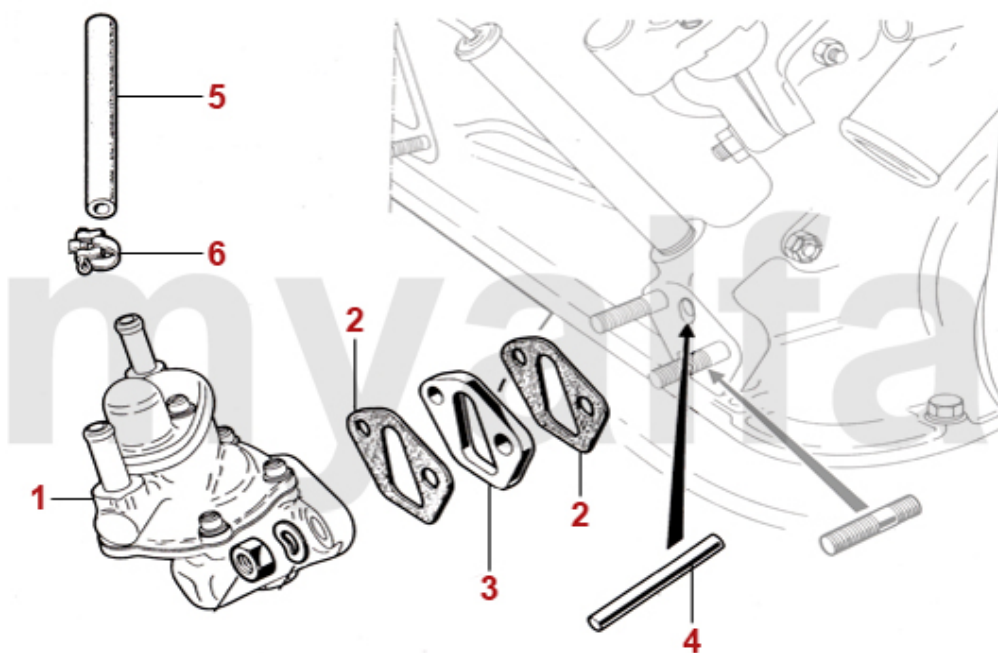
<b>1</b>	<b>2520720</b>	<b>GASKET KIT WEBER 40 DCOE (FOR 2 CARBURETTORS INCLUDING NEEDLE VALVES)</b>	<b>SEK693.75</b>
<b>1</b>	<b>2523100</b>	<b>GASKET KIT WEBER DCOE 151/152 (FOR 1 CARBURETTOR WITH BRASS FLOAT) WITHOUT FLOAT NV 150</b>	<b>SEK454.68</b>
<b>1</b>	<b>2523130</b>	<b>GASKET KIT WEBER 40/45 DCOE 151/152 (FOR 1 CARBURETTOR WITH PLASTIC FLOAT) NV 200</b>	<b>SEK454.68</b>
<b>2</b>	<b>2520730</b>	<b>GASKET KIT DELLORTO (FOR 2 CARBURETTORS INCLUDING NEEDLE VALVES)</b>	<b>SEK921.16</b>
<b>3</b>	<b>2520740</b>	<b>GASKET KIT SOLEX ADDHE 32 (FOR 2 CARBURETTORS INCLUDING NEEDLE VALVES)</b>	<b>SEK757.85</b>
<b>4</b>	<b>2522060</b>	<b>GASKET KIT SOLEX ADDHE 20/24/29 (FOR 2 CARBURETTORS INCLUDING NEEDLE VALVES)</b>	<b>SEK693.75</b>
<b>5</b>	<b>2522050</b>	<b>GASKET KIT SOLEX 40 DDH 3/5/7/8 (FOR 2 CARBURETTORS INCLUDING NEEDLE VALVES)</b>	<b>SEK757.85</b>





1	2524000	MAIN JET 110 WEBER DCOE	SEK103.79
1	2524010	MAIN JET 115 WEBER DCOE	SEK103.79
1	2524040	MAIN JET 130 WEBER DCOE	SEK103.79
1	2524050	MAIN JET 135 WEBER DCOE	SEK103.79
1	2524060	MAIN JET 140 WEBER DCOE	SEK103.79
1	2524070	MAIN JET 145 WEBER DCOE	SEK103.79
1	2524080	MAIN JET 150 WEBER DCOE	SEK103.79
1	2524090	MAIN JET 155 WEBER DCOE	SEK103.79
1	2524100	MAIN JET 160 WEBER DCOE	SEK85.05
1	2524110	MAIN JET 165 WEBER DCOE	SEK85.05
1	2524120	MAIN JET 170 WEBER DCOE	SEK85.05
1	2524130	MAIN JET 175 WEBER DCOE	SEK85.05
1	2524140	MAIN JET 180 WEBER DCOE	SEK85.05
2	2524500	AIR CORRECTION JET 150 WEBER DCOE	SEK103.79
2	2524510	AIR CORRECTION JET 155 WEBER DCOE	SEK103.79
2	2524520	AIR CORRECTION JET 160 WEBER DCOE	SEK103.79
2	2524530	AIR CORRECTION JET 165 WEBER DCOE	SEK103.79
2	2524540	AIR CORRECTION JET 175 WEBER DCOE	On request
2	2524550	AIR CORRECTION JET 180 WEBER DCOE	SEK103.79
2	2524560	AIR CORRECTION JET 185 WEBER DCOE	SEK103.79
2	2524570	AIR CORRECTION JET 190 WEBER DCOE	SEK103.79
2	2524580	AIR CORRECTION JET 195 WEBER DCOE	SEK103.79
2	2524600	AIR CORRECTION JET 205 WEBER DCOE	SEK85.05
2	2524610	AIR CORRECTION JET 210 WEBER DCOE	SEK85.05
2	2524620	AIR CORRECTION JET 220 WEBER DCOE	SEK85.05
2	2524630	AIR CORRECTION JET 245 WEBER DCOE	SEK85.05

1	2580010	FUEL TANK GT BERTONE 2000	SEK4,069.26
1	2580350	FUEL TANK GT BERTONE 1300-1750	SEK4,069.26
1	2580270	FUEL TANK BERTONE GTV 2000 WITH SPICA INJECTION	SEK4,652.15
2	2580210	FUEL TANK SEAL 2,25 m ON A ROLL	SEK87.41
2	2580220	TANK RUBBER SEAL PREFORMED	SEK291.51
3	2580080	FUEL CAP BAYONET VERSION LOCKABLE	SEK348.68
3	2580090	FUEL CAP SCREW VERSION LOCKABLE 1982	SEK348.68
3	2580390	FUEL CAP BAYONET VERSION LOCKABLE, STAINLESS STEEL	SEK346.88
3	2580400	FUEL CAP BAYONET VERSION, STAINLESS STEEL. OIL FILLER CAP 1900, 102	SEK291.51
3	2580200	FUEL CAP BAYONET VERSION, CHROME - 1900/750/101/102/105/106 - OILFILLER CAP 1900/102	SEK278.61
4	2580160	FUEL FILLER NECK SEAL GIULIA / GT BERTONE	SEK860.53
5	8650110	TANK SENDER JAEGER GAUGES 170 mm TUBE WITH RUBBER GASKET	SEK804.47
5	8650120	TANK SENDER VEGLIA GAUGES 170 mm TUBE WITH RUBBER GASKET	SEK804.47
5	8650220	TANK SENDER VEGLIA/JAEGER 230 mm TUBE WITH RUBBER GASKET	SEK804.47
6	8650190	RUBBER GASKET TANK SENDER	SEK57.17
7	2580180	COVER FOR TANK SENDER 105/115 CARBURETOR MODELS	SEK671.55



<b>1</b>	<b>2530100</b>	<b>FUEL PUMP CARBURETTOR MODELS</b>	<b>SEK570.12</b>
<b>2</b>	<b>2330480</b>	<b>FUEL PUMP GASKET</b>	<b>SEK28.03</b>
<b>3</b>	<b>2330490</b>	<b>PLASTIC SPACER FUEL PUMP</b>	<b>SEK57.17</b>
<b>4</b>	<b>2530300</b>	<b>FUEL PUMP ROD SERIES 2</b>	<b>On request</b>
<b>5</b>	<b>2571510</b>	<b>FUEL HOSE 8mm ,1m CUT PIECE</b>	<b>SEK87.41</b>
<b>5</b>	<b>2572150</b>	<b>FUEL HOSE 8mm ,STAINLESS STEEL 1m CUT PIECE</b>	<b>SEK92.13</b>
<b>6</b>	<b>2570310</b>	<b>FUEL HOSE CLAMP</b>	<b>SEK16.37</b>

<b>1</b>	<b>2530360</b>	<b>ELECTRICAL FUEL PUMP PIERBURG</b>	<b>SEK1,573.43</b>
<b>1</b>	<b>2530340</b>	<b>ELECTRICAL FUEL PUMP MITSUBA-REPLIKA</b>	<b>On request</b>
<b>1</b>	<b>2530380</b>	<b>FUEL PUMP FACET RED TOP COMPETITION KIT (152 L/H)</b>	<b>SEK2,976.74</b>
<b>1</b>	<b>2530390</b>	<b>ELECTRIC FUEL PUMP HARDI 0,28-0,35 Bar, 100 - 130 L/h 8mm ADJUSTABLE SUPPORT</b>	<b>SEK1,620.74</b>
<b>2</b>	<b>8421000</b>	<b>SAFETY RELAY FOR ELECTRICAL FUEL PUMP</b>	<b>SEK804.47</b>
<b>3</b>	<b>8421010</b>	<b>RELAY SOCKET FOR 8421000 (SECURITY RELAY UPGRADE ELECTRIC FUEL PUMP)</b>	<b>On request</b>



**1** 9820310 SYNCHRO TESTER

**SEK791.71**

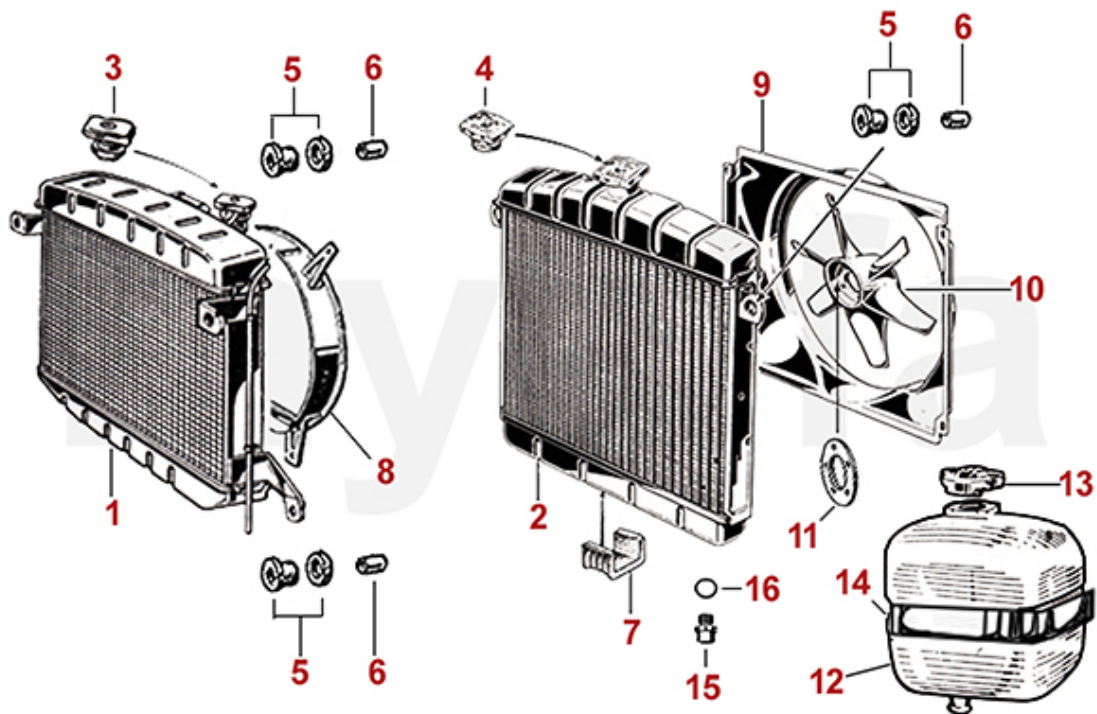
**2** 9820320 ADAPTER SYNCHRO TESTER

**SEK406.95**



<b>1</b>	<b>2630070</b>	<b>THERMOSTAT 1300/1600 SERIES 1 SCREW IN</b>	<b>SEK460.51</b>
<b>2</b>	<b>2630080</b>	<b>THERMOSTAT 1300-2000 DROP IN</b>	<b>SEK256.55</b>
<b>3</b>	<b>2630090</b>	<b>OE. 60516212 / 60713535 THERMOSTAT 2000 IN HOUSING CARBURETTOR MODELS</b>	<b>SEK441.92</b>
<b>4</b>	<b>2330420</b>	<b>THERMOSTAT GASKET</b>	<b>SEK64.10</b>

1	2660570	RADIATOR HOSE RADIATOR / WATER PUMP 1300/1600 (RADIATOR 4 LATERAL HOLDERS)	SEK220.34
2	2660150	RADIATOR HOSE RADIATOR / INTAKE MANIFOLD 105 1300/1600 SCREW IN THERMOSTAT (RADIATOR WITH 4 LATERAL HOLDERS), 101 SPIDER VELOCE, SS LATE CARS	SEK206.32
2	2660250	RADIATOR HOSE RADIATOR / INTAKE MANIFOLD 1300/1600 SCREW IN THERMOSTAT (RADIATOR WITH 2 LATERAL HOLDERS)	SEK231.99
3	2660160	RADIATOR HOSE RADIATOR / INTAKE MANIFOLD 1300-2000 CARBURETTOR MODELS, NOT SKREW IN THERMOSTAT	SEK162.06
4	2660190	RADIATOR HOSE DISTRIBUTOR / THERMOSTAT 1750	SEK195.92
5	2660210	RADIATOR HOSE DISTRIBUTOR / RADIATOR 1750	SEK185.37
6	2660200	RADIATOR HOSE DISTRIBUTOR / WATER PUMP 1750	SEK197.03
7	2660050	DISTRIBUTOR PIECE RADIATOR HOSES 1750	SEK443.03
8	2660170	RADIATOR HOSE THERMOSTAT/ WATER PUMP CARBURETTOR MODELS	SEK173.72
9	2660180	RADIATOR HOSE RADIATOR / WATER PUMP 1300-2000 (RADIATOR 2 LATERAL HOLDERS)	SEK169.14
10	2660240	RADIATOR HOSE RADIATOR / RADIATOR EXPANSION TANK	SEK100.32



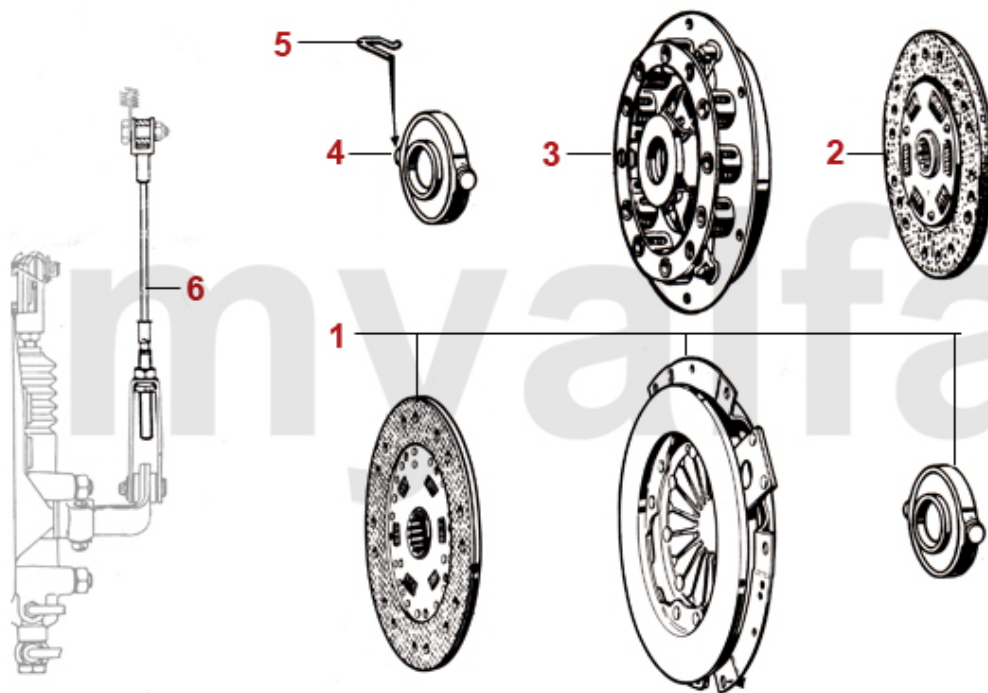
1	2611620	HIGH PERFORMANCE ALUMINIUM RADIATOR GIULIA/GT BERTONE 1963-68	SEK6,937.50
1	2610260	RADIATOR GIULIA/GT BERTONE 1963-68	SEK4,652.15
2	2610640	RADIATOR GIULIA / GT BERTONE 1968-78	SEK3,719.47
2	2611650	HIGH PERFORMANCE ALUMINIUM RADIATOR POWDER COATED GIULIA GT BERTONE 1968-78	SEK6,121.37
2	2611640	HIGH PERFORMANCE ALUMINIUM RADIATOR GIULIA/GT BERTONE, 1968-78	SEK5,888.13
3	2680600	RADIATOR CAP ROUND TYPE MODELS WITHOUT EXPANSION TANK	SEK145.69
3	2680610	RADIATOR CAP ROUND TYPE MODELS WITHOUT EXPANSION TANK, CHROMED	SEK277.50
4	2680060	RADIATOR CAP SQUARE TYPE MODELS WITH EXPANSION TANK	SEK145.69
4	2680620	RADIATOR CAP SQUARE TYPE MODELS WITH EXPANSION TANK, CHROMED	SEK277.50
4	9302640	RADIATOR CAP DECAL	SEK57.17
5	2680710	LATERAL RADIATOR SUPPORT RUBBER (SET)	SEK173.72
6	2680530	BUSH (SET) RADIATOR MOUNTING RUBBER	SEK45.51
7	2680030	RADIATOR BOTTOM SUPPORT RUBBER 1968-89 CARBURETTOR MODELS	SEK54.81
8	2640020	FAN COWL METAL 105 1ST SERIES 1962-1968	SEK921.16
9	2640010	PLASTIC RADIATOR COWL 1968-82 - DEEP SHAPE 7.5 CM	SEK465.23
10	2640530	FAN BLADE 1972-89 MECHANICAL FAN	SEK320.65
10	2640520	FAN BLADE 1300/1600 1964-72	SEK348.68
11	2640040	WASHER FOR FAN	SEK173.72
12	2650250	RADIATOR EXPANSION TANK 1968-89	SEK543.35
13	2680260	RADIATOR EXPANSION TANK CAP 1968-89	SEK115.44
13	2680490	RADIATOR EXPANSION TANK CAP 1968-89 CHROMED	SEK193.56
14	2651050	CLAMP RADIATOR EXPANSION TANK	SEK361.44
15	2650010	RADIATOR DRAIN SCREW	SEK81.03
16	2650030	COPPER SEAL RING FOR RADIATOR DRAIN SCREW	SEK17.48



1	2620490	WATERPUMP 1300 (105) -1600 (101, 105) 2 HOSE CONNECTIONS SMALL PULLEY (94mm)	SEK1,223.08
2	2620500	WATER PUMP 1300-1750 2 CONNECTIONS, LARGE PULLEY (110 mm)	SEK1,142.61
3	2620510	WATER PUMP 1600-2000 3 CONNECTIONS / MECHANICAL REV COUNTER ::: PULLEY (110 mm) ::: FITTED ON CARS WITH ALTERNATOR :::	SEK1,048.26
4	2330470	WATERPUMP GASKET - 105, 115, 101 1600 - FOR MECHANICAL REV- COUNTER	SEK66.46
5	2330710	GASKET REV COUNTER ALIGNMENT	SEK33.86
6	8600010	REV COUNTER GEAR	On request
7	4130440	OIL SEAL SPEEDOMETER DRIVE / REV COUNTER DRIVE 8 x 16 x 7	SEK103.79
8	2702140	V-BELT 9.5x725 DYNAMO GENERATOR	SEK134.03
8	2700700	V-BELT 9.5x825	SEK103.79
8	2700690	V-BELT 10 x 813	SEK128.21
9	4210110	TOP DEAD POINTER FOR CRANK PULLAY 105mm DIAMETER, MARK 1	SEK162.06
10	4210100	TOP DEAD POINTER FOR CRANK PULLAY 125mm DIAMETER, MARK 2	SEK162.06

<b>1</b>	<b>7400120</b>	<b>HEATER VALVE SERIES 1 METAL 2 HOSE CONNECTIONS</b>	<b>SEK624.93</b>
<b>2</b>	<b>7400300</b>	<b>HEATER VALVE DIAPHRAGM SERIES 1</b>	<b>SEK102.54</b>
<b>3</b>	<b>7200700</b>	<b>HEATER CORE SERIES 1</b>	<b>SEK2,506.80</b>
<b>4</b>	<b>7300220</b>	<b>HEATER MOTOR 1st SERIES GIULIA ,GT BERTONE, SPIDER, ONE LEVEL</b>	<b>SEK1,234.74</b>
<b>5</b>	<b>2660480</b>	<b>RADIATOR HOSE HEATER VALVE SERIES 1 - INTAKE MANIFOLD</b>	<b>SEK197.03</b>
<b>6</b>	<b>2660230</b>	<b>HEATER HOSE HEATER / WATER PUMP</b>	<b>SEK138.75</b>
<b>7</b>	<b>1731270</b>	<b>HEATER CONTROL END KNOB 1969-85 BLACK PLASTIC</b>	<b>SEK52.45</b>
<b>7</b>	<b>1731620</b>	<b>HEATER CONTROL END KNOB 1969-85 CHROMED</b>	<b>SEK110.72</b>
<b>7</b>	<b>1731245</b>	<b>HEATER CONTROL END KNOB (SET) GT BERTONE, SPIDER, GIULIA UP TO 1969, IPRA</b>	<b>SEK346.88</b>
<b>8</b>	<b>1731290</b>	<b>HEATER FASCIA PANEL CHROME GIULIA, GT BERTONE, SPIDER WITHOUT CONSOLE</b>	<b>SEK1,090.16</b>
<b>8</b>	<b>1731240</b>	<b>HEATER FASCIA PANEL WITH FASTENING GIULIA, GT BERTONE</b>	<b>SEK1,387.50</b>
<b>9</b>	<b>1731250</b>	<b>FASTENING (SET) FOR HEATER FASCIA PANEL 173 124 0</b>	<b>On request</b>
<b>10</b>	<b>7800740</b>	<b>VENT HOSE UNIVERSAL 50 mm x 1000 mm</b>	<b>SEK185.37</b>
<b>11</b>	<b>7800730</b>	<b>RUBBER SEAL FOR HEATER BOX, GIULIA, GT BERTONE, SPIDER</b>	<b>SEK408.06</b>

<b>1</b>	<b>7200290</b>	<b>HEATER CORE SERIES 2</b>	<b>SEK1,864.38</b>
<b>2</b>	<b>7400050</b>	<b>HEATER VALVE SERIES 2 PLASTIC ATTACHED TO THE HEATER CORE</b>	<b>SEK581.78</b>
<b>3</b>	<b>7400350</b>	<b>HEATER VALVE GASKET SERIES 2</b>	<b>SEK44.26</b>
<b>4</b>	<b>2660220</b>	<b>HEATER HOSE HEATER HOSE / INTAKE MANIFOLD SERIES 2</b>	<b>SEK197.03</b>
<b>5</b>	<b>2660230</b>	<b>HEATER HOSE HEATER / WATER PUMP</b>	<b>SEK138.75</b>
<b>6</b>	<b>7300230</b>	<b>HEATER MOTOR GIULIA/ GT BERTONE 173 mm DIAMETER</b>	<b>SEK1,620.74</b>
<b>8</b>	<b>1731270</b>	<b>HEATER CONTROL END KNOB 1969-85 BLACK PLASTIC</b>	<b>SEK52.45</b>
<b>8</b>	<b>1731620</b>	<b>HEATER CONTROL END KNOB 1969-85 CHROMED</b>	<b>SEK110.72</b>
<b>9</b>	<b>1731230</b>	<b>HEATER FASCIA PANEL CHROME GIULIA / GT BERTONE / SPIDER 1970-85 WITH CONSOLE</b>	<b>SEK309.00</b>
<b>10</b>	<b>1731750</b>	<b>SCREW (2 PCS) HEATER FASCIA PANEL</b>	<b>SEK33.86</b>
<b>11</b>	<b>7800770</b>	<b>DASH SIDE VENT HOSE GT BERTONE</b>	<b>SEK815.57</b>
<b>12</b>	<b>7800750</b>	<b>AIR HOSE FOR CENTER NOZZLE GT BERTONE 1300-1750 (65MM)</b>	<b>SEK230.88</b>
<b>12</b>	<b>7800920</b>	<b>AIR HOSE FOR CENTER NOZZLE GT BERTONE GTV 2000 / JUNIOR UNIFICATO (74MM)</b>	<b>SEK250.72</b>
<b>13</b>	<b>1732000</b>	<b>SET DASH TOP AIR VENTS GT BERTONE, SPIDER 1750/2000 1970-85, 1600 1981-85</b>	<b>SEK1,154.26</b>
<b>14</b>	<b>7800730</b>	<b>RUBBER SEAL FOR HEATER BOX, GIULIA, GT BERTONE, SPIDER</b>	<b>SEK408.06</b>

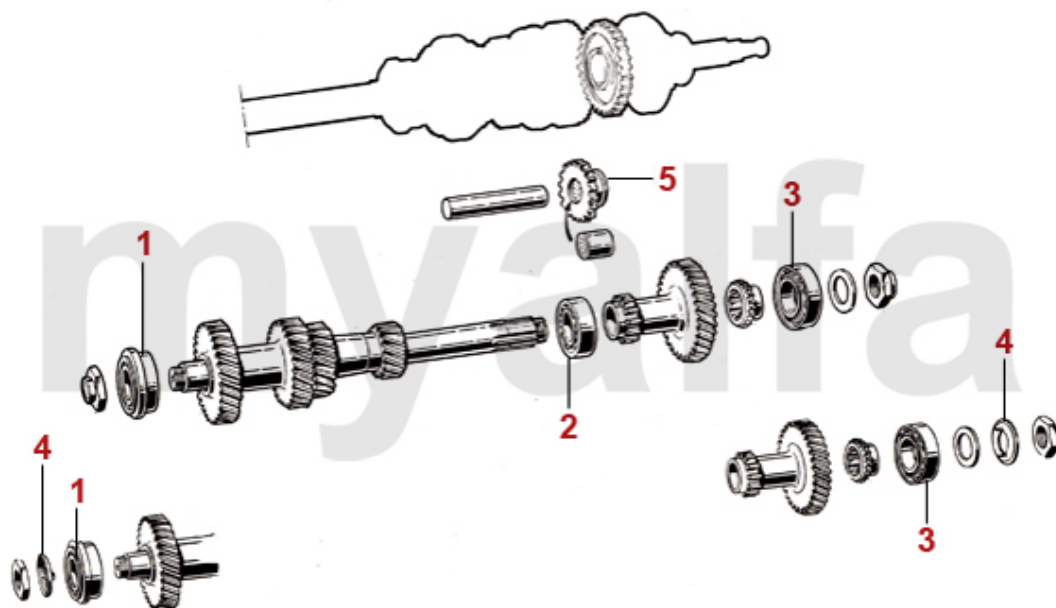


<b>1</b>	<b>4311020</b>	<b>CLUTCH KIT 750/101, 105 1st SERIES MECHANICAL CONVERSION TO DIAPHRAGM SPRING PRESSURE PLATE</b>	<b>SEK5,468.42</b>
<b>2</b>	<b>4340290</b>	<b>CLUTCH DISC MECHANICAL</b>	<b>SEK1,160.09</b>
<b>2</b>	<b>4340300</b>	<b>CLUTCH DISC MECHANICAL FICHTEL &amp; SACHS</b>	<b>SEK1,737.29</b>
<b>3</b>	<b>4330310</b>	<b>PRESSURE PLATE MECHANICAL</b>	<b>SEK2,670.11</b>
<b>4</b>	<b>4350010</b>	<b>CLUTCH RELEASE BEARING MECHANICAL WITH RETAINING CLIPS</b>	<b>SEK687.92</b>
<b>4</b>	<b>4350320</b>	<b>CLUTCH RELEASE BEARING MECHANICAL</b>	<b>SEK873.29</b>
<b>5</b>	<b>4390010</b>	<b>RETAINING CLIP CLUTCH RELEASE BEARING MECHANICAL</b>	<b>SEK55.92</b>
<b>5</b>	<b>4390400</b>	<b>RETAINING SPRING (SET 2 PCS) CLUTCH RELEASE BEARING MECHANICAL CLUTCH SACHS</b>	<b>SEK103.79</b>
<b>6</b>	<b>4390280</b>	<b>CLUTCH CABLE</b>	<b>SEK231.99</b>

1	4310010	CLUTCH KIT HYDRAULIC REINFORCED MADE IN ITALY	SEK2,786.66
1	4310230	CLUTCH KIT HYDRAULIC FICHTEL & SACHS	SEK3,252.99
1	4310240	CLUTCH KIT HYDRAULIC LUK 1968-93	SEK3,252.99
2	4310030	CLUTCH DISC HYDRAULIC	SEK612.17
2	4340410	CLUTCH DISC 105/115 FICHTEL & SACHS	SEK1,632.39
3	4330040	PRESSURE PLATE HYDRAULIC	SEK1,504.05
3	4330530	PRESSURE PLATE FICHTEL & SACHS	SEK1,970.53
4	4211570	SCREW FOR CLUTCH AUTOMAT	SEK26.78
5	4350050	CLUTCH RELEASE BEARING HYDRAULIC PREMIUM	SEK302.61
5	4350330	CLUTCH RELEASE BEARING HYDRAULIC FICHTEL & SACHS	SEK921.16
6	4370220	RELEASE LEVER HYDRAULIC	SEK804.47
7	4130090	RUBBER GROMMET FOR RELEASE LEVER HYDRAULIC CLUTCH	SEK75.76
8	4390160	SPRING FOR CLUTCH ARM HYDRAULIC	SEK92.13
9	4390150	RETAINING SPRING CLUTCH RELEASE BEARING HYDRAULIC	SEK109.61
10	4380110	CLUTCH MASTER CYLINDER STANDING PEDALS	SEK1,037.71
10	4380150	CLUTCH MASTER CYLINDER STANDING PEDALS BONALDI 1405755	SEK1,922.66
11	4380120	CLUTCH MASTER CYLINDER HANGING PEDALS	SEK1,119.30
12	4380210	CLUTCH RESERVOIRE WITH CAP HANGING PEDALS	SEK640.75
13	4380200	CAP BRAKE / CLUTCH RESERVIORE HANGING PEDALS	SEK138.75
14	4380080	REPAIR KIT CLUTCH MASTER CYLINDER ATE HANGING PEDALS	On request
15	4380140	CLUTCH SLAVE CYLINDER 105/115 OE-QUALITY	SEK804.47
15	4380130	CLUTCH SLAVE CYLINDER STANDING PEDALS 105 BENDITALIA	SEK1,154.26
15	4380170	CLUTCH SLAVE CYLINDER 105/115 BENDITALIA	SEK1,078.50
16	4390170	CLUTCH SLAVE CYLINDER RETAINING CIRCLIP	SEK34.41
17	4380100	REPAIR KIT CLUTCH SLAVE CYLINDER	SEK230.88
18	4380060	CLUTCH FLEXI HOSE	SEK230.88
18	4380090	STEEL FLEX CLUTCH HOSE	SEK535.16
19	4380180	CLUTCH LINE HANGING PEDALS	SEK335.78
20	4380190	NUT CLUTCH FLEXI HOSE	SEK38.43
21	1160600	COVER FOR CLUTCH MASTER CYLINDER STANDING PEDALS GIULIA, GT BERTONE, SPIDER	SEK757.85

<b>1</b>	<b>4130140</b>	<b>SHIFT FORK 1./2. GEAR, 1300-2000 ccm, 101/105/115</b>	<b>On request</b>
<b>2</b>	<b>4130150</b>	<b>SHIFT FORK 3./4. GEAR, 1300-2000 ccm, 101/105/115</b>	<b>SEK2,320.32</b>
<b>3</b>	<b>4130160</b>	<b>SHIFT FORK 5./ REVERSE GEAR</b>	<b>SEK875.65</b>
<b>4</b>	<b>23335018</b>	<b>O-RING FOR TRANSMISSION WITH OPEN BELL HOUSING</b>	<b>SEK34.41</b>
<b>5</b>	<b>4130040</b>	<b>GEARBOX RUBBER GAITER SMALL</b>	<b>SEK150.41</b>
<b>6</b>	<b>4130050</b>	<b>GEARBOX RUBBER GAITER BIG</b>	<b>SEK208.13</b>
<b>7</b>	<b>4130360</b>	<b>GEARBOX RUBBER GAITER COMBINATION</b>	<b>SEK371.99</b>
<b>8</b>	<b>4130620</b>	<b>CLAMP GEARBOX RUBBER GAITER SMALL</b>	<b>SEK46.62</b>
<b>9</b>	<b>4130630</b>	<b>CLAMP GEARBOX RUBBER GAITER BIG</b>	<b>SEK50.09</b>
<b>10</b>	<b>4130530</b>	<b>GEAR GAITER BASE TRANSMISSION TUNNEL</b>	<b>SEK355.62</b>
<b>11</b>	<b>4130380</b>	<b>GEAR LEVER METAL PLATE</b>	<b>SEK29.14</b>
<b>12</b>	<b>4130120</b>	<b>GEAR LEVER RUBBER SEAL</b>	<b>SEK34.97</b>

1	4150010	SYNCHRO RING OE-QUALITY 105/115/116/75	SEK687.92
1	4150020	SYNCHRO RING GOETZE 105/115/116/75	SEK1,620.74
1	4150030	SYNCHRO RING OE-QUALITY 101/105 SERIES 1/102/106	SEK1,853.84
2	4130130	SYNCHRO SLEEVE OE-QUALITY 105/115/116/75	SEK1,270.95
3	4150330	MAINSHAFT BEARING 2000 FRONT / MIDDLE, 1600 FROM 1989 ON	SEK1,043.54
3	4150460	MAINSHAFT BEARING - 101/105/115 1300-1750 UP TO 1989 - FRONT / MIDDLE	SEK1,043.54
4	4150310	MAINSHAFT BEARING - 105/115 2nd SERIES -REAR	SEK711.23
4	4150320	REAR MAIN SHAFT BEARING 101/105 1st SERIES//102/106	SEK921.16
5	4150290	NEEDLE BEARING SMALL - 105/105/115/102/106	SEK208.68
6	4150300	NEEDLE BEARING BIG 5. GEAR	SEK250.58
7	4130490	SAFETY NUT INPUT SHAFT 2000	SEK220.34
8	4130320	SAFETY NUT PROPSHAFT ADAPTER 1972-93	SEK191.20
9	4150520	BEARING SLEEVE GEARS - 101/105/115/102/106	SEK256.55
10	4100730	PROPSHAFT ADAPTER	On request
11	4140680	LOCK BAND 2.-5. GEAR - 101/105/115	On request
11	0406700	UPPER LOCK-BLOCK	SEK285.69
11	4140690	UPPER LOCK BLOCK 1. GEAR	SEK285.69
11	4140700	LOWER LOCK BLOCK	SEK285.69
12	4150560	TAB WASHER PROPSHAFT ADAPTER 1959-72	SEK61.74
13	4140740	REVERSE GEAR PINION MAINSHAFT - 101/105/115	SEK2,087.08
14	4140750	GEAR DOG RING / SYNCRONIZER HUB	SEK1,970.53



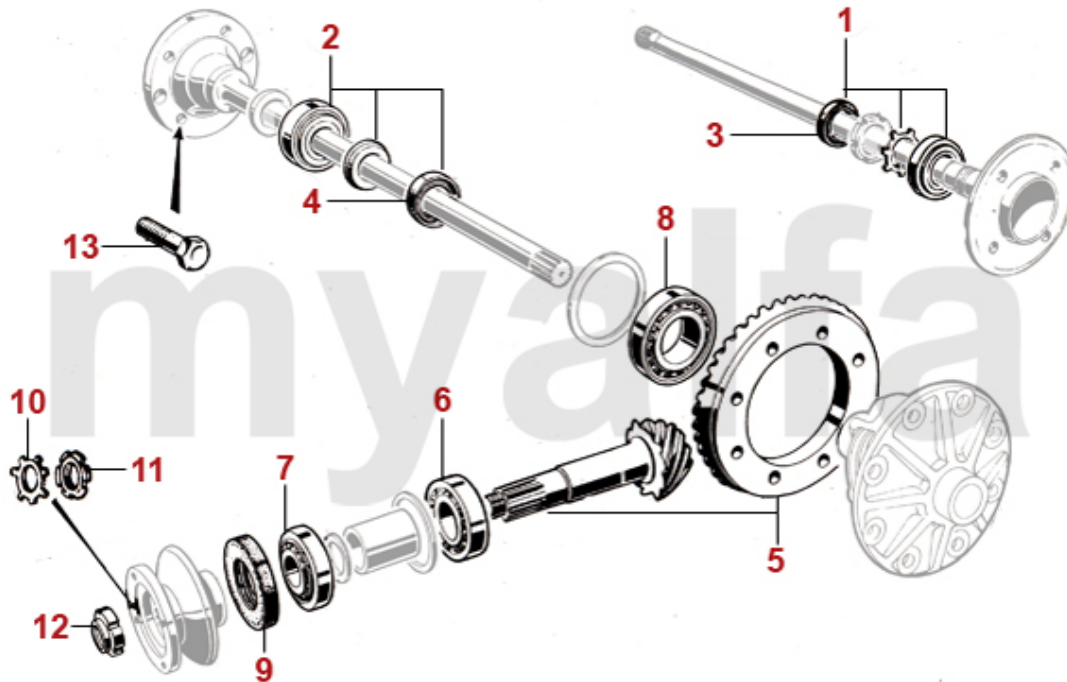
<b>1</b>	<b>4150470</b>	<b>LAYSHAFT BEARING 2000 FRONT INNER DIAMETER 20 mm</b>	<b>SEK943.22</b>
<b>1</b>	<b>4150240</b>	<b>LAYSHAFT BEARING - 105 1300-1750, 101 - FRONT</b>	<b>SEK801.00</b>
<b>2</b>	<b>4150250</b>	<b>LAYSHAFT BEARING - 101/105/115 - MIDDLE</b>	<b>SEK693.75</b>
<b>3</b>	<b>4150260</b>	<b>LAYSHAFT BEARING REAR - 105/115 1300-2000</b>	<b>SEK658.79</b>
<b>3</b>	<b>4150210</b>	<b>LAYSHAFT BEARING REAR - 105/115 1300-1750, 101 / 102 / 106</b>	<b>SEK757.85</b>
<b>4</b>	<b>4150570</b>	<b>TAB WASHER LAYSHAFT - 101/105 1959-72</b>	<b>SEK66.46</b>
<b>5</b>	<b>4140610</b>	<b>REVERSE GEAR PINION - 101/105/115</b>	<b>SEK1,603.26</b>



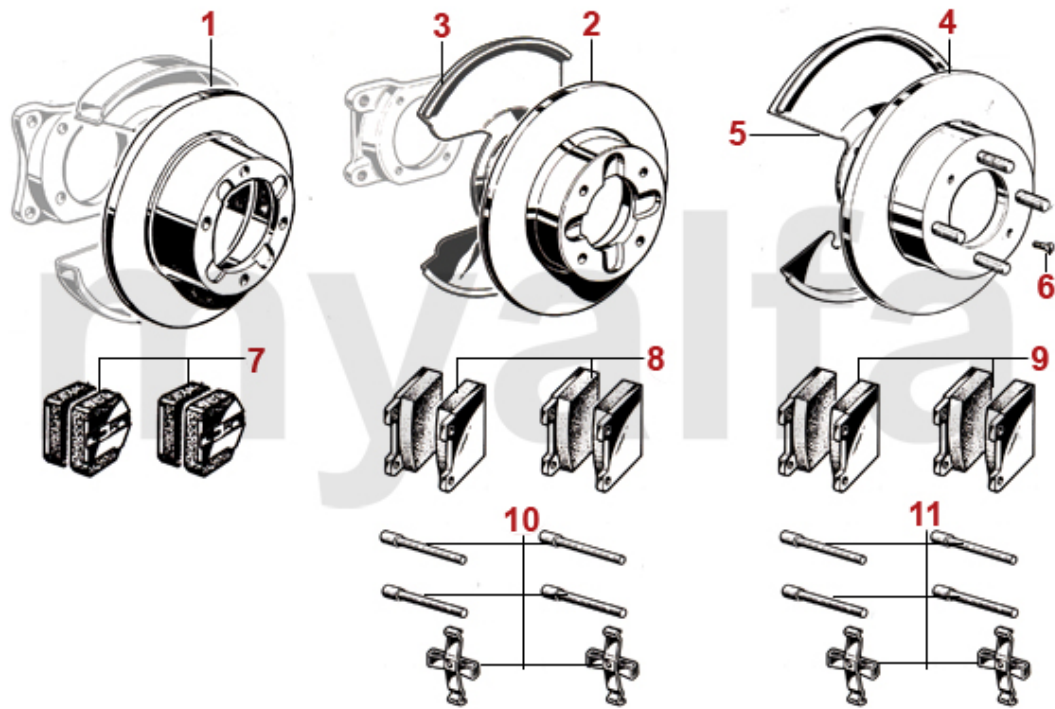
1	4100590	BELL HOUSING MECHANICAL CLUTCH 1st SERIES	SEK5,468.42
1	4100370	BELL HOUSING HYDRAULIC CLUTCH SERIES 2 SCREW IN SWITCH	SEK6,471.16
2	4100510	SHUT PANEL BELL HOUSING HYDRAULIC CLUTCH	SEK416.25
3	2330300	OIL SEAL TRANSMISSION FRONT HYD. CLUTCH	SEK103.79
3	2330240	OIL SEAL TRANSMISSION FRONT MECH. CLUTCH 750/101/105	SEK116.00
3	2330700	OIL SEAL TRANSMISSION FRONT HYD. CLUTCH CORTECO	SEK138.75
3	2330245	OIL SEAL TRANSMISSION MECHANICAL CLUTCH 750/101/105 CORTECO	SEK127.10
4	2330250	OIL SEAL TRANSMISSION REAR 101/105/115	SEK111.97
4	2330400	OIL SEAL TRANSMISSION REAR 101/105/115 CORTECO	SEK150.96
5	4120020	GEARBOX MOUNTING BUSH -105/115 - 1969-93 FOR CARS WITH HYDRAULIC CLUTCH	SEK244.89
5	4120640	GEARBOX MOUNTING BUSH - 101/102/105 FOR MECHANICAL CLUTCH /106	SEK448.86
6	4120600	GEARBOX MOUNTING RUBBER WASHER (SET) - 5-SPEED GEARBOX	SEK150.96
7	4130580	RUBBER GAITER CLUTCH ACTUATIONFORK MECHANICAL CLUTCH	SEK641.30
8	8701230	GROUND STRAP TRANSMISSION / BODY 200 mm	SEK162.06
9	8640630	REVERSE LIGHT SWITCH BRACKET MOUNTED	SEK326.48
10	8640150	REVERS LIGHT SWITCH SCREW-IN	SEK185.37
11	2330580	GASKET SPEEDOMETER ALIGNMENT	SEK28.58
12	4130440	OIL SEAL SPEEDOMETER DRIVE / REV COUNTER DRIVE 8 x 16 x 7	SEK103.79
13	4130660	SPEEDOMETER DRIVE SPACER	SEK45.51
14	2280090	OIL FILLING SCREW, HEXAGON SOCKET, TRANSMISSION /DIFFERENTIAL M22x1.5	SEK103.79
14	2280100	OIL FILLER SCREW , HEXAGON SOCKET, TRANS MISSION/DIFFERENTIAL M22x1.5	SEK92.13
15	2280110	SUMP PLUG WITH MAGNET TRANSMISSION/DIFFERENTIAL 750/101, 105/115	SEK122.38

1	4410300	REAR PROPSHAFT SECTION *NEW* GT BERTONE SCREW: 8mm	SEK5,129.03
1	4410360	REAR PROPSHAFT SECTION *NEW* GT BERTONE SCREW: 9mm	SEK5,129.03
1	4410060	REAR PROPSHAFT SECTION "NEW" GT BERTONE, 9MM HOLES, MADE IN ITALY, 760MM LENGTH	SEK3,439.61
1	4410230	REAR PROPSHAFT SECTION "NEW" GT BERTONE, 8MM HOLES, MADE IN ITALY, 760MM LENGTH	SEK3,439.61
2	4440190	UNIVERSAL JOINT WITH GREASE NIPPLE - 750/101/105 1ST Series 1962-66	SEK543.35
2	4440010	UNIVERSAL JOINT 1966-93	SEK402.24
3	4440200	SCREW REAR PROPSHAFT SECTION 9 mm	SEK52.45
3	4440220	SCREW REAR PROPSHAFT SECTION 8 mm	SEK52.45
3	4440240	LOCK NUT REAR PROPSHAFT SECTION 9 mm ORIGINAL	SEK26.78
4	4440210	LOCK NUT REAR PROPSHAFT SECTION 9 mm	SEK22.76
4	4440230	LOCK NUT REAR PROPSHAFT SECTION 8 mm	SEK25.67
5	4430050	PROPSHAFT CENTRE SUPPORT RUBBER 1962-68	SEK305.53
6	4430090	PROPSHAFT CENTRE SUPPORT 1962-1968	SEK1,037.71
7	4430020	PROPSHAFT CENTRE SUPPORT 1968-1993 ORIGINAL QUALITY	SEK495.48
7	4430220	PROPSHAFT CENTRE SUPPORT 1968-93 HEAVY DUTY	SEK728.72
7	4430040	PROPSHAFT CENTRE SUPPORT 1968-93 WITH BEARING ORIGINAL QUALITY	SEK815.02
7	4430230	PROPSHAFT CENTRE SUPPORT 1968-1993 WITH BEARING HEAVY DUTY	SEK1,016.76
8	4430030	PROPSHAFT CENTRE SUPPORT BEARING ORIGINAL QUALITY	SEK185.37
8	4430010	PROPSHAFT CENTER SUPPORT BEARING FAG	SEK303.17
9	4440120	RETAINING CLIP PROPSHAFT CENTRE SUPPORT BEARING	SEK34.97
10	4430100	COVER FOR PROPSHAFT CENTER SUPPORT	SEK207.57
11	4420040	FRONT DOUGHNUT COUPLING	SEK687.92
12	2280180	HEX NUT HIGH-STRENGTH FOR HARDY DISC/BALL JOINT	SEK45.51
13	4440160	TOP HAT BUSH	SEK523.50
14	4440150	TOP HAT BUSH INTERNAL PAD	SEK92.13
15	4440140	RUBBER BUMP TRANSMISSION / FRONT PROPSHAFT	SEK58.28
16	4440110	HIGH STRENGTH BOLT FOR FRONT DOUGHNUT COUPLING	SEK33.86

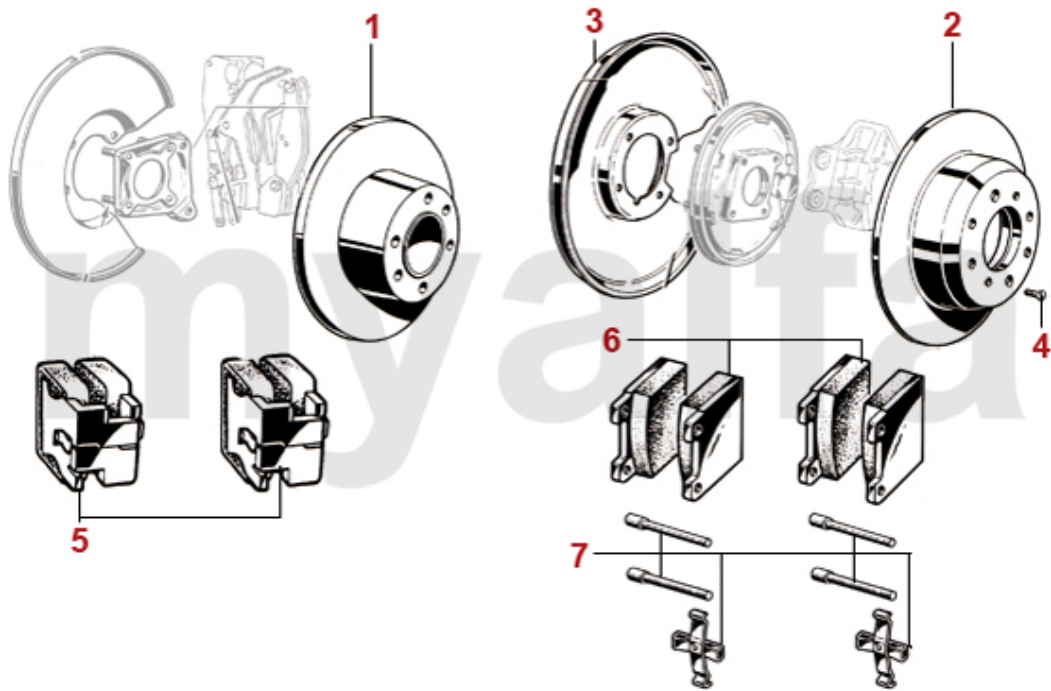
1	2330320	DIFFERENTIAL OIL PAN GASKET 1300-1750	SEK99.07
1	2330330	DIFFERENTIAL OIL PAN GASKET 2000	SEK96.15
2	2280110	SUMP PLUG WITH MAGNET TRANSMISSION/DIFFERENTIAL 750/101, 105/115	SEK122.38
3	4541840	TAB WASHER AXLE PIPE LEFT	SEK33.86
4	4541930	TAB WASHER (SET 2) AXLE PIPE RIGHT	SEK68.82
5	4541940	TAB WASHER (SET 2) AXLE PIPE LEFT	SEK173.72
6	4541880	LSD DISC DIFFERENTIAL 1,9 mm	SEK931.57
6	4541890	LSD DISC DIFFERENTIAL 2,0 mm	SEK1,014.40
6	4541900	LSD DISC DIFFERENTIAL 2,1 mm	SEK1,014.40
7	4531870	LSD FRICTION DISC 2 mm WITH INNER TEETH	SEK1,037.71
7	4531880	LIMITED SLIP DIFFERENTIAL FRICTION PLATE - SINTERED FOR RACING	SEK1,329.23
8	4541910	LSD SPACER DISC	SEK262.38
9	4536440	STOP RUBBER DIFFERENTIAL / BODY 105/115	SEK192.45



1	5441550	WHEEL BEARING KIT REAR 1964-72 WITH TAB WASHER	SEK809.19
2	5441560	WHEEL BEARING KIT REAR 1972-93 WITH SHRINK RING	SEK738.01
2	5441571	WHEEL BEARING REAR - 1900 / 101 1600 /105/115 RACING	SEK1,219.61
3	2330270	OIL SEAL WHEEL BEARING REAR 750/101, 105 1300-1750 1962-72 52/30/10	SEK170.25
4	2330280	OIL SEAL WHEEL BEARING REAR 1300-2000 1972-93 52/34/10	SEK110.72
5	4521850	Teller/Kegelrad 10/43	On request
6	4531070	REAR ROLLER BEARING FOR PINION - 105 1300-1750, 101 1600	SEK1,154.26
6	4530900	REAR PINION BEARING 2000	SEK977.08
7	4531420	FRONT ROLLER BEARING FOR PINION - 105 1300-1750, 101 1600	SEK690.28
7	4530890	FRONT PINION BEARING 2000	SEK687.92
8	4530960	DIFFERENTIAL CASE BEARING, 105 1300-1750, 101 1600	SEK1,387.50
8	4530510	DIFFERENTIAL CASE BEARING 2000	SEK515.32
9	2330530	OIL SEAL DIFFERENTIAL CASE FRONT - 105 1300-1600, 750/101	SEK150.96
9	2330260	OIL SEAL DIFFERENTIAL 2000 74.5/45/12	SEK208.13
9	2331560	OIL SEAL DIFFERENTIAL 1750 72/40/10	SEK150.96
10	4541720	TAB WASHER PINION NUT - 105 1300-1750 , 750/101	SEK57.17
11	4541810	PINION NUT - 105 1300-1750, 750/101	SEK250.58
12	4541820	PINION NUT 2000 2000	SEK250.58
13	5740862	WHEEL STUD RIGHT HAND THREAD 105 REAR UP TO 1972, 750/101/102/106 REAR AND FRONT	SEK170.25
13	5740861	WHEEL STUD LEFT HAND THREAD 105 REAR UP TO 1972, 750/101/102/106 REAR AND FRONT	SEK170.25
13	5740850	REAR WHEEL BOLT RIGHT HAND THREAD FROM YEAR 1972 105/115	SEK74.65

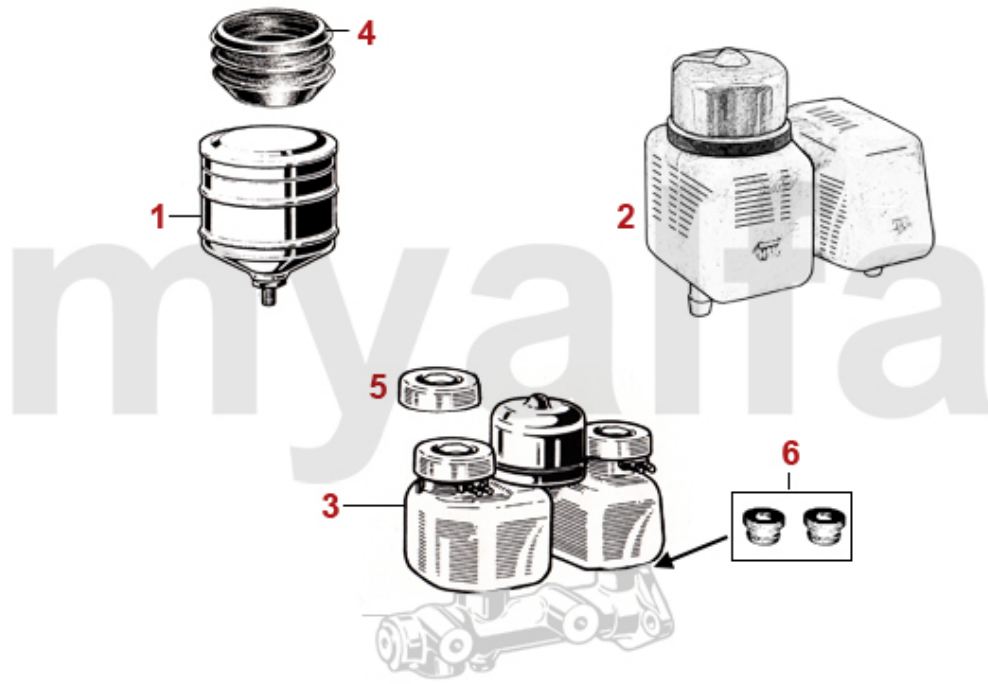


1	6101020	BRAKE DISC 1300/1600 1963-66 FRONT, DUNLOP , DIAMETER 285 mm	SEK2,097.62
2	6100050	BRAKE DISC 1300/1600 1966-67 FRONT, ATE, 1st SERIES	SEK2,320.32
3	6630481	BACKING PLATE FRONT DISK 1300-1600 LEFT	SEK577.20
3	6630482	BACKING PLATE FRONT DISK 1300-1600 RIGHT	SEK577.20
4	6100010	BRAKE DISC 1300/1600 1967-85 FRONT, DIAMETER 267 mm	SEK658.79
4	6100020	BRAKE DISC 1750/2000, 1600 1986-93 FRONT, DIAMETER 272mm	SEK944.47
4	6100060	FRONT BRAKE DISC ORIGINAL EQUIPMENT QUALITY (BREMBO) 1300/1600 1967-85, DIAMETER 267mm	On request
4	6100070	FRONT BRAKE DISC ORIGINAL EQUIPMENT QUALITY (BREMBO) 1750/2000, 1600 1986-93, DIAMETER 272mm	SEK1,037.71
5	6630491	BACKING PLATE FRONT BRAKE DISK1750-2000 LEFT	SEK577.20
5	6630492	BACKING PLATE FRONT BRAKE DISK 1750-2000 RIGHT	SEK577.20
6	6500560	CENTERING SCREW FOR BRAKE DISC/DRUM FRONT AND REAR	SEK22.20
7	6300910	BRAKE PADS 1300/1600 FRONT, DUNLOP	SEK1,142.61
8	630004F	BRAKE PADS 1300/1600 1964-85 FRONT, OEM QUALITY	SEK453.57
8	6300040	BRAKE PADS 1300/1600 1966-85 FRONT	SEK285.69
9	630005F	BRAKE PADS 1750/2000, 1600 1986-93 FRONT, OEM QUALITY	SEK460.51
9	6300050	BRAKE PADS 1750/2000, 1600 1986-93 FRONT	SEK348.68
10	6500070	RETAINING PIN SET BRAKE PADS 1300-1600 1966-85 FRONT	SEK110.72
11	6500080	RETAINING PIN SET BRAKE PADS 1750-2000, 1600 1986-93 FRONT	SEK115.44
12	6500060	RETAINING PIN SET BRALE PADS DUNLOP FRONT	SEK227.41



<b>1</b>	<b>6101030</b>	<b>BRAKE DISC 1963-66 REAR, DUNLOP</b>	<b>SEK1,923.91</b>
<b>2</b>	<b>6100030</b>	<b>BRAKE DISC 1966-93 REAR</b>	<b>SEK757.85</b>
<b>2</b>	<b>6100090</b>	<b>REAR BRAKE DISC ORIGINAL EQUIPMENT QUALITY (BREMBO) 1966-93</b>	<b>SEK804.47</b>
<b>3</b>	<b>6630500</b>	<b>REAR BRAKE DISC BACKING PLATE</b>	<b>SEK500.19</b>
<b>4</b>	<b>6500560</b>	<b>CENTERING SCREW FOR BRAKE DISC/DRUM FRONT AND REAR</b>	<b>SEK22.20</b>
<b>5</b>	<b>6301010</b>	<b>BRAKE PADS REAR 1963-66, DUNLOP</b>	<b>SEK1,263.87</b>
<b>6</b>	<b>630006F</b>	<b>BRAKE PADS 1300-2000 1966-93 REAR, OEM QUALITY</b>	<b>SEK425.55</b>
<b>6</b>	<b>6300060</b>	<b>BRAKE PADS 1300-2000 REAR</b>	<b>SEK297.34</b>
<b>7</b>	<b>6500090</b>	<b>RETAINING PIN SET BRAKE PADS REAR</b>	<b>SEK110.72</b>

1	6721070	BRAKE MASTER CYLINDER 1300-1750 STANDING PEDALS ATE 22mm WITH BRAKE BOOSTER	SEK1,971.64
1	6720260	BRAKE MASTER CYLINDER 1300/1600 STANDING PEDALS ATE 20 mm W/O BRAKE BOOSTER	SEK2,203.63
2	6720270	BRAKE MASTER CYLINDER 1300-1750 STANDING PEDALS VERSION BENDIX/BONALDI	SEK1,387.50
2	6720250	MASTER BRAKE CYLINDER 1300-1750 FLOOR MOUNTED PEDALS BONALDI 1418061	SEK1,737.29
3	6720290	BRAKE MASTER CYLINDER 1300-1750 STANDING PEDALS ATE DUAL CIRCUIT SYSTEM	SEK5,771.58
4	6720930	BRAKE MASTER CYLINDER BENDIX 1300-1750 RHD DUAL CIRCUIT SYSTEM 1409334	SEK5,235.18
5	6720280	BRAKE MASTER CYLINDER HANGING PEDALS 20,6MM	SEK1,467.98
5	67245043	BRAKE MASTER CYLINDER ATE ORIG. HANGING PEDALS 20,6MM	SEK2,856.59
6	6770330	REPAIR KIT BMC 1300-1750 STANDING PEDALS ATE 22 mm WITH BRAKE BOOSTER	SEK364.91
6	6770440	REPAIR KIT BMC 1300/1600 STANDING PEDALS DUNLOP 22 mm WITH BRAKE BOOSTER	SEK571.37
7	6770670	REPAIR KIT HBZ 1300/1600 STANDING PEDALS BONALDI 20 mm W/O BRAKE BOOSTER	On request
8	6770340	REPAIR KIT BMC 1300-2000 HANGING PEDALS ATE 20 mm	SEK641.30
8	6770350	REPAIR KIT HBZ 1300-2000 HANGING PEDALS BONALDI 20 mm	SEK367.27
8	6770710	REPAIR KIT HBZ 1300-2000 HANGING PEDALS ATE VERSION 22 mm	SEK260.02
9	6620110	BRAKE UNION 3/8 UNF MALE BRAKE MASTER CYLINDER STANDING PEDALS	SEK32.61
10	6770640	BRAKE UNION 7/16" UNF FEEDER LINE STANDING PEDALS	SEK68.82
11	6740200	BRAKE PRESSURE REG. SYSTEM ATE	SEK2,740.04
11	6740210	BRAKE PRESSURE REG. TYPE ATE GIULIA, GT BERTONE, SPIDER 1. SERIES, MONTREAL	SEK2,622.24



<b>1</b>	<b>6771040</b>	<b>BRAKE FLUID RESERVOIR SERIES 1</b>	<b>SEK909.51</b>
<b>2</b>	<b>6770610</b>	<b>BRAKE FLUID RESERVOIR, STANDING PEDALS, HYD. CLUTCH</b>	<b>SEK827.78</b>
<b>3</b>	<b>6771110</b>	<b>BRAKE FLUID RESERVOIR FOR MASTER BRAKE CYLINDER HANGING PEDALS, 3 CAPS</b>	<b>SEK1,504.05</b>
<b>4</b>	<b>6771030</b>	<b>RUBBER INSERT BRAKE FLUID RESERVOIR SERIES 1</b>	<b>SEK231.99</b>
<b>5</b>	<b>6771120</b>	<b>CAP BRAKE FLUID RESERVOIR, HANGING PEDALS</b>	<b>SEK149.30</b>
<b>6</b>	<b>6770570</b>	<b>BRAKE FLUID RESERVOIR SEAL ATE</b>	<b>SEK61.74</b>



<b>1</b>	<b>6710230</b>	<b>BRAKE BOOSTER 1300/1600 STANDING PEDALS, SYSTEM BONALDI</b>	<b>SEK3,369.68</b>
<b>1</b>	<b>9302550</b>	<b>STICKER BONALDI / CREMA FOR BRAKE BOOSTER, SILVER</b>	<b>SEK75.76</b>
<b>1</b>	<b>6710270</b>	<b>BRAKE BOOSTER 1300-1600 STANDING PEDALS, BONALDI 1416861</b>	<b>SEK4,732.62</b>
<b>2</b>	<b>6710310</b>	<b>BRAKE BOOSTER 1750 STANDING PEDALS, SYSTEM LOCKHEED</b>	<b>SEK4,652.15</b>
<b>3</b>	<b>6710250</b>	<b>BRAKE BOOSTER 1300-2000 SYSTEM ATE, HANGING PEDALS</b>	<b>SEK2,740.04</b>
<b>3</b>	<b>6710260</b>	<b>BRAKE BOOSTER 1300-2000 SYSTEM ATE, HANGING PEDALS BENDITALIA ORIGINAL</b>	<b>SEK4,419.05</b>
<b>4</b>	<b>6711050</b>	<b>REPAIR KIT SMALL FOR BONALDI BRAKE BOOSTER</b>	<b>SEK1,504.05</b>
<b>5</b>	<b>6711060</b>	<b>REPAIR KIT FOR MEMBRANE BRAKE BOOSTER BONALDI</b>	<b>SEK1,690.67</b>
<b>6</b>	<b>6770430</b>	<b>VACUUM HOSE BRAKE BOOSTER</b>	<b>SEK220.34</b>

1	6750180	BRAKE LINE KIT GT BERTONE/SPIDER HANGING PEDALS	SEK804.47
2	6620860	BRAKE LINE BRAKE CALIPER SET 1300/1600 FRONT	SEK184.26
2	6620870	BRAKE LINE BRAKE CALIPER SET 1750/2000 FRONT	SEK184.26
3	6760210	BRAKE HOSE FRONT 750/101/105/106/ MONTREAL	SEK230.88
4	6760220	BRAKE HOSE REAR 750/101/105/ MONTREAL	SEK255.30
5	6770190	3 WAY BRAKE UNION REAR AXLE	SEK343.96
6	6770600	COUNTER NUT BRAKE HOSE	SEK22.20
7	6740200	BRAKE PRESSURE REG. SYSTEM ATE	SEK2,740.04
7	6740210	BRAKE PRESSURE REG. TYPE ATE GIULIA, GT BERTONE, SPIDER 1. SERIES, MONTREAL	SEK2,622.24
7	6740220	BRAKE PRESSURE REG. BONALDI GIULIA, SPIDER; GT BERTONE; ALFETTA GTV4 (116) UNTIL 1984	SEK1,572.87
8	6780010	SET (2) FRONT BRAKE LINE BRACKET	SEK496.73
9	6750100	BRAKE LINE CONNECOTR M10x1, SW14	SEK103.79

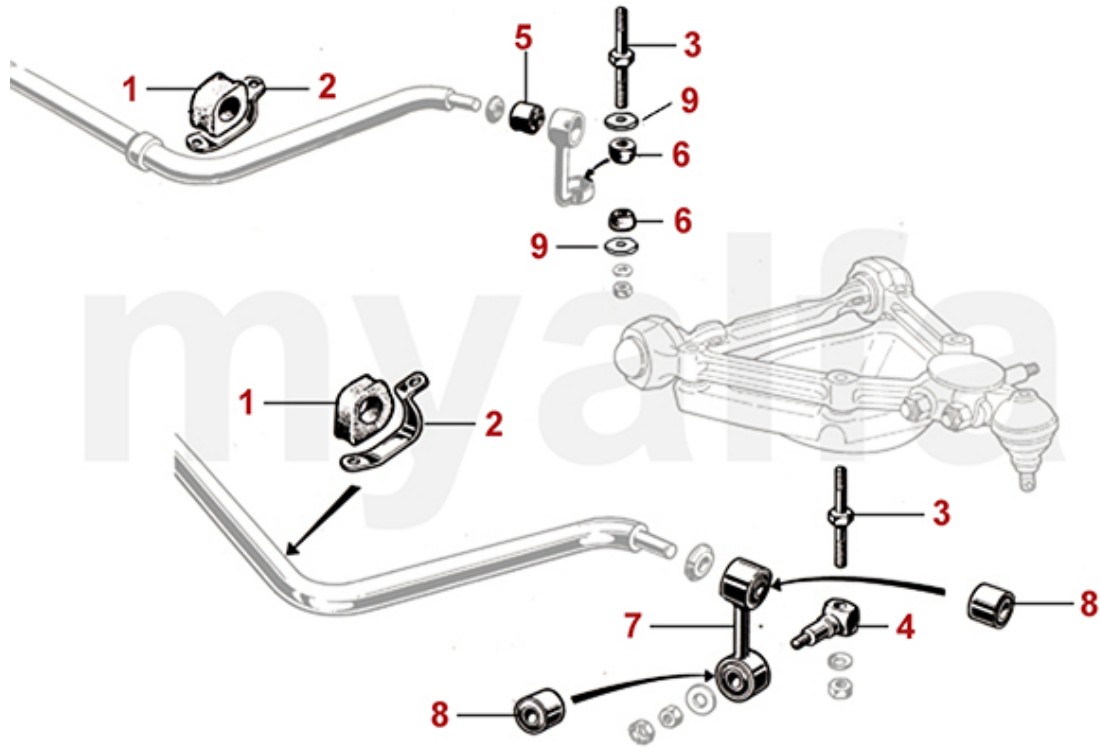
1	6610291	BRAKE CALIPER 1300-1600 1964-85 FRONT LEFT, SYSTEM ATE	SEK1,853.84
1	6610292	BRAKE CALIPER 1300-1600 1964-85 FRONT RIGHT, SYSTEM ATE	SEK1,853.84
1	6610301	BRAKE CALIPER 1750-2000, 1600 1986-93 SYSTEM ATE, FRONT LEFT	SEK1,853.84
1	6610302	BRAKE CALIPER 1750-2000, 1600 1986-93 SYSTEM ATE, FRONT RIGHT	SEK1,853.84
2	6610511	BRAKE CALIPER 1300-2000 SYSTEM ATE, REAR LEFT	SEK1,853.84
2	6610512	BRAKE CALIPER 1300-2000 SYSTEM ATE, REAR RIGHT	SEK1,853.84
3	6730771	WHEEL BRAKE CYLINDER 1300/1600 SYSTEM DUNLOP, REAR LEFT	SEK1,037.71
3	6730772	WHEEL BRAKE CYLINDER 1300/1600 SYSTEM DUNLOP, REAR RIGHT	SEK1,037.71
4	6621080	REPAIR KIT BRAKE CALIPERS FRONT DUNLOP	SEK687.92
5	6770370	BRAKE CALIPER REBUILD KIT FRONT ATE	SEK263.49
5	6770360	BRAKE CALIPER REBUILD KIT FRONT ATE PREMIUM	SEK255.30
6	6770380	BRAKE CALIPER REBUILD KIT 1964-66 ATE (30 mm), PREMIUM	SEK687.92
6	6770420	BRAKE CALIPER REBUILD KIT 1967-93 REAR ATE, 38mm PISTONS	SEK277.50
6	6770410	BRAKE CALIPER REBUILD KIT REAR 1967-93 ATE, 38mm PISTONS, PREMIUM	SEK255.30
7	6770750	STEEL SPRING CLIP DUST SEAL FRONT BRAKE CALIPER	SEK32.61
8	6770740	STEEL SPRING CLIP DUST SEAL REAR BRAKE CALIPER 38 mm PISTON	SEK32.61
9	6730810	BRAKE PISTON 1300-1600 SYSTEM DUNLOP, FRONT - 105	SEK1,107.64
10	6730820	REPAIR KIT BRAKE CALIPERS 1300-1600 SYSTEM DUNLOP, FRONT - 105	SEK6,051.30
10	6770450	FRONT BRAKE CALIPER REBUILD KIT WITH PISTONS, SYSTEM ATE, FOR ONE CALIPER	SEK553.89
10	6770460	REAR BRAKE CALIPER REBUILD KIT WITH PISTONS, SYSTEM ATE 38mm, FOR ONE CALIPER	SEK571.37
11	6620550	BLEEDER SCREW BRAKE CALIPER 1300/1600 FRONT/ 1300-2000 REAR, SYSTEM ATE	SEK91.58
12	6620530	BLEEDER SCREW BRAKE CALIPER 1750/2000 FRONT, SYSTEM ATE	SEK89.77
13	6770540	CAP BLEEDER SCREW	SEK18.04
14	6730850	LOCK SPRING ADJUSTMENT SCREW DUNLOP REAR	SEK220.34
15	6730840	RUBBER BOOT FOR ADJUSTMENT ROD DUNLOP REAR	SEK198.27
16	6730860	DUNLOP CALIPER RETURN SPRING REAR	SEK225.05
17	6730830	LOCKTAP SET BRAKE CALIPER DUNLOP FRONT	SEK250.72

<b>1</b>	<b>6400100</b>	<b>SET BRAKE SHOES 4 PIECES</b>	<b>SEK460.51</b>
<b>2</b>	<b>6500730</b>	<b>HANDBRAKE SHOE RETAINING PIN</b>	<b>SEK54.81</b>
<b>3</b>	<b>6500760</b>	<b>HANDBRAKE SHOE RETAINING SPRING / SOFT TOP CABLE</b>	<b>SEK28.03</b>
<b>4</b>	<b>6810810</b>	<b>COUNTERPLATE FOR RETAINING PIN</b>	<b>SEK103.79</b>
<b>5</b>	<b>6500820</b>	<b>HANDBRAKE ADJUSTOR</b>	<b>SEK460.51</b>
<b>6</b>	<b>6500840</b>	<b>HANDBRAKE SHOE SPRING LONG</b>	<b>SEK75.20</b>
<b>7</b>	<b>6500850</b>	<b>HANDBRAKE SHOE SPRING SHORT</b>	<b>SEK54.81</b>
<b>8</b>	<b>6810470</b>	<b>HANDBRAKE SHOE OPERATOR LEVER</b>	<b>SEK396.41</b>
<b>9</b>	<b>6810010</b>	<b>SET HANDBRAKE PAWL END PIECE /HANDBRAKE RATCHET</b>	<b>SEK221.58</b>
<b>10</b>	<b>1760490</b>	<b>HANDBRAKE GRIP 1962-86 BLACK</b>	<b>SEK378.93</b>
<b>10</b>	<b>1760450</b>	<b>HANDBRAKE GRIP 1986-93 BLACK</b>	<b>SEK465.23</b>
<b>11</b>	<b>6800120</b>	<b>MAIN HANDBRAKE CABLE BERTONE</b>	<b>SEK693.75</b>
<b>12</b>	<b>6800151</b>	<b>REAR HANDBRAKE CABLE ATE BRAKE, 1967-93 LEFT</b>	<b>SEK138.75</b>
<b>12</b>	<b>6800141</b>	<b>REAR HANDBRAKE CABLE DUNLOP BRAKE, 1964-67 LEFT</b>	<b>SEK756.74</b>
<b>13</b>	<b>6800152</b>	<b>REAR HANDBRAKE CABLE ATE BRAKE, 1967-93 RIGHT</b>	<b>SEK138.75</b>
<b>13</b>	<b>6800142</b>	<b>REAR HANDBRAKE CABLE DUNLOP BRAKE, 1964-67 RIGHT</b>	<b>SEK756.74</b>
<b>14</b>	<b>6501330</b>	<b>FORK FIXTURE FOR HANDBRAKE LEVER</b>	<b>SEK110.72</b>

1	5120050	SHOCK ABSORBER FRONT BILSTEIN GAS PRESSURE	SEK1,737.29
1	5121490	SHOCK ABSORBER FRONT KONI YELLOW ADJUSTABLE	SEK1,514.60
1	5120030	SHOCK ABSORBER FRONT KONI RED ADJUSTABLE	SEK1,502.94
1	5110010	SHOCK ABSORBER FRONT	SEK815.02
2	5190050	DUST CAPS FOR SHOCK ABSORBERS (SET FOR ONE CAR) 105/115	SEK1,154.26
3	5190040	SET FRONT LOWER SHOCK ABSORBERRUBBERS 105/115	SEK105.03
4	5140080	SPRING 1969-93 FRONT	SEK1,037.71
5	5180170	METAL SEAT FRONT SPRING UPPER / LOWER	SEK110.72
6	5180160	RUBBER SEAT FRONT SPRING UPPER / LOWER	SEK110.72
7	5181690	SPACER FRONT SPRING 10 mm	SEK338.13
7	5180180	FRONT SPRING SPACER ALUMINIUM 6 mm	SEK326.48
8	5180131	SPRING PAN LEFT SHALLOW 1986-93	SEK571.37
8	5180132	FRONT SPRING PAN DEEP RIGHT 1986-93	SEK571.37
9	5331170	FRONT WISHBONE ARM USED	On request
10	5331180	REAR WISHBONE ARM USED	On request
11	5191200	SCREW SPRING PAN	SEK38.43
12	5191210	NUT SPRING PAN SCREW	SEK23.31
13	5330230	BOTTOM BALL JOINT	SEK413.89
14	2280170	SCREW BALL JOINT HIGH STRENGTH	SEK75.76
15	5191240	SAFETY NUT BOTTOM BALL JOINT	On request
16	5521191	BUMP STOP PLATE LEFT	On request
16	5521192	BUMP STOP PLATE RIGHT	On request
17	5191220	BOLT SHOCK ABSORBER 105 / 115 / MONTREAL	SEK250.72
18	5451050	SELF LOCKING NUTS FOR SUSPENSION TYPE 105 - 1 SET (38 PIECES)	SEK378.93

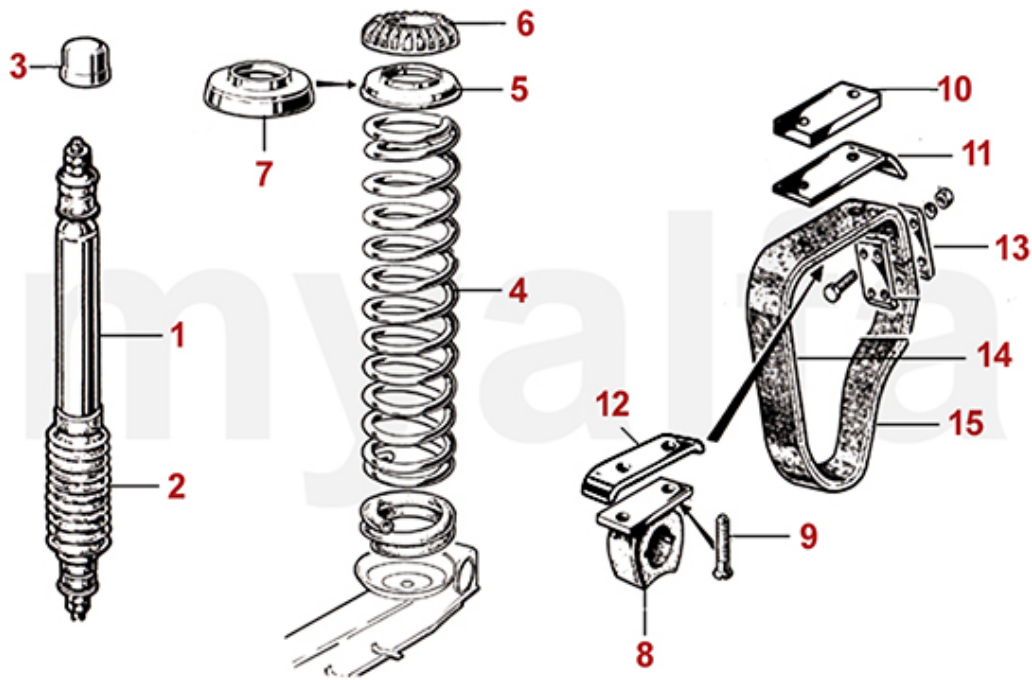
1	5421291	AXLE LEG 1750/2000, 1600 1986-93 LEFT	On request
1	5421292	AXLE LEG 1750/2000, 1600 1986-93 RIGHT	On request
3	5521311	STEERING ARM LEFT	On request
3	5521312	STEERING ARM RIGHT	On request
4	5440280	WHEEL BEARING KIT FRONT 101/105/115	SEK628.40
4	5440200	INNER WHEEL BEARING SKF 1900/750/101/105/115	SEK262.38
4	5440300	OUTER FRONT WHEEL BEARING SKF 101/105/115	SEK454.68
5	2330290	OIL SEAL WHEEL BEARING FRONT	SEK127.10
6	5461000	THRUST WASHER FRONT WHEEL BEARING	On request
7	5461012	CROWN NUT WHEEL BEARING RIGHT	SEK181.90
7	5461011	CROWN NUT WHEEL BEARING LEFT	SEK181.90
8	5190990	GREASE CAP FRONT WHEEL BEARING	SEK80.48
9	5440290	COTTER PIN FRONT WHEEL BEARING	SEK5.27
10	5431300	FRONT WHEEL HUB	On request
11	5740831	FRONT WHEEL STUD LEFT HAND THREAD	SEK80.48
11	5740832	FRONT WHEEL STUD RIGHT HAND THREAD	SEK54.81

1	5340220	CASTOR ARM BALL JOINT	SEK395.30
2	5340200	CASTOR ARM WITHOUT BALL JOINT	SEK418.61
3	5330191	TOP SUSPENSION ARM LEFT WITH BUSHINGS WITHOUT CAP CASTOR ARM BUSH	SEK1,048.26
3	5330181	TOP SUSPENSION ARM LEFT GIULIA TI UP TO VIN: 645000 GTJ 1300 UP TO VIN: 862000	SEK1,183.40
3	5330192	TOP SUSPENSION ARM RIGHT WITH BUSHINGS WITHOUT CAP CASTOR ARM BUSH	SEK1,048.26
3	5330182	TOP SUSPENSION ARM RIGHT GIULIA TI UP TO VIN: 645000 GTJ 1300 UP TO VIN: 862000	SEK1,183.40
4	5331650	SET ADJUSTABLE TOP ARMS WITH BUSHINGS WITHOUT CASTOR ARM BUSH	On request
4	5331651	ADJUSTABLE TOP ARM LEFT WITH BUSHINGS WITHOUT CAP CASTOR ARM BUSH	SEK1,778.08
4	5331652	ADJUSTABLE TOP ARM RIGHT WITH BUSHINGS WITHOUT CAP CASTOR ARM BUSH	SEK1,778.08
5	5350200	TOP ARM INNER BUSH	SEK138.75
6	5340640	CASTOR ARM BUSH 19 mm HIGH	SEK104.90
6	5340210	CASTOR ARM BUSH 23 mm HIGH	SEK135.28
7	5350460	SPACER (SET) FOR CASTOR ARM BUSH 19mm	SEK92.13
8	5350240	BOTTOM WISHBONE BUSH	SEK520.04
9	5191150	TAB WASHER BOTTOM WISHBONE BUSH	SEK57.17
10	5190680	WISHBONE BUSH END CAP	SEK80.48
11	5190260	UPPER BUMP STOP 1969-93	SEK103.79
11	5190560	SET UPPER BUMP STOP FRONT 1962-68	SEK600.51
12	5190580	LOWER BUMP STOP FRONT WITH BOLT	SEK197.03
13	5521191	BUMP STOP PLATE LEFT	On request
13	5521192	BUMP STOP PLATE RIGHT	On request
14	5331120	WISHBONE USED	On request
15	5330230	BOTTOM BALL JOINT	SEK413.89
16	5350650	OE.60701972 HEX CASTLE NUT M12x1.5 SUSPENSION, STEERING	SEK33.86
17	5351230	OUTER SCREW BOTTOM BALL JOINT	SEK45.51

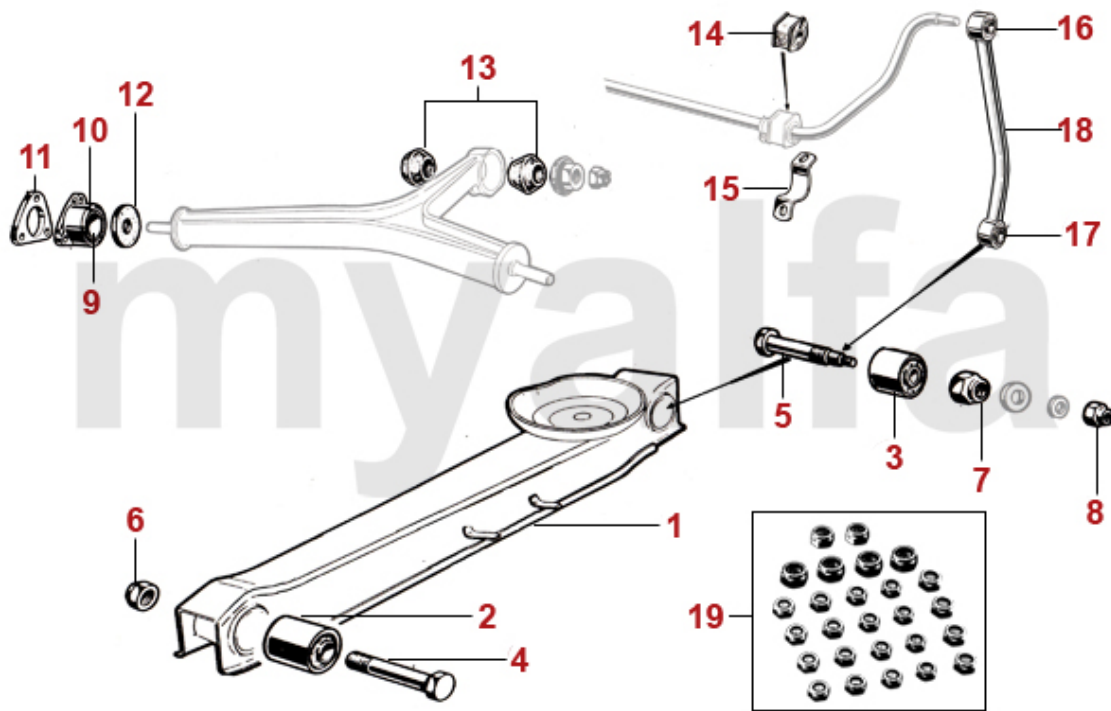


1	5240380	ANTI-ROLL BAR RUBBER FRONT SET (2) 105, 102 20000, 106 2600	SEK150.41
2	5240390	BRACKET FRONT ANTI ROLL BAR RUBBER	SEK101.98
3	5190930	BOLT SPRING (HIGH-STRENGTH STEEL) PAN / DROP LINK 1969-86	SEK314.27
3	5190940	BOLT SPRING PAN / DROP LINK 105	SEK220.34
4	5191360	SPRING PAN TO DROP LINK BOLT 1968-86	SEK278.61
5	5240430	REAR DROP LINK UPPER BUSH	SEK115.44
6	5240950	FRONT LOWER ANTI-ROLL BAR BUSH - 750/101/105 1ST SERIES	SEK72.84
7	5211350	FRONT ANTI ROLL BAR DROP LINK WITH BUSHINGS 1968-86	SEK332.31
8	5240370	FRONT UPPER ANTI ROLL BAR DROP LINK BUSH 30 mm	SEK115.44
8	5240880	FRONT UPPER/LOWER ANTI ROLL BAR DROP LINK BUSH 33 mm,	SEK138.75
8	5240010	FRONT ANTI ROLL BAR DROP LINK BUSH - 105/115 LOWER 1968>, 1900/102/106 - OUTER DIAMETER 30.20mm // INNER DIAMETER 14.10mm	SEK114.89
9	5240330	WASHER SET FOR ANTI-ROLL-BAR DROP LINK - 750/101/105 1ST SERIES	SEK571.37

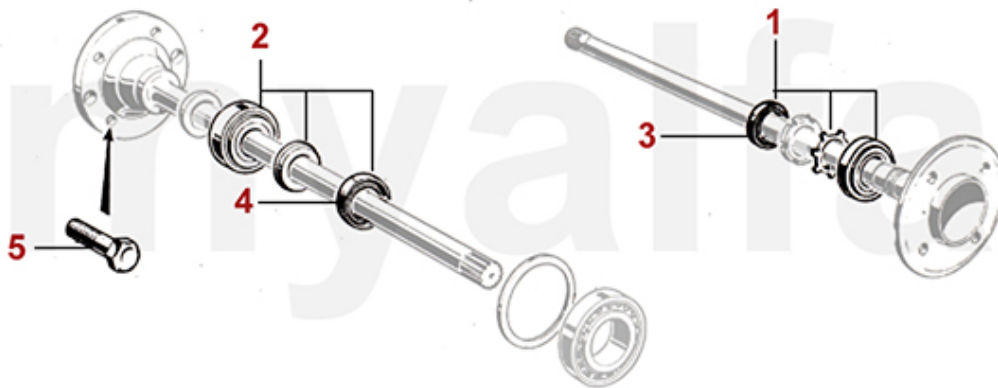




1	5120060	SHOCK ABSORBER REAR BILSTEIN GAS PRESSURE	SEK1,737.29
1	5121500	SHOCK ABSORBER REAR KONI YELLOW ADJUSTABLE	SEK1,514.60
1	5120040	SHOCK ABSORBER REAR KONI RED ADJUSTABLE	SEK1,502.94
1	5110020	SHOCK ABSORBER REAR	SEK815.02
2	5190050	DUST CAPS FOR SHOCK ABSORBERS (SET FOR ONE CAR) 105/115	SEK1,154.26
3	5191700	SET UPPER CAP REAR SHOCK ABSORBER (2 pc)	SEK599.26
4	5140500	SPRING GIULIA, SPIDER 1988-93 REAR	SEK986.37
4	5140490	SPRING GT BERTONE / SPIDER 1968-89 REAR HEAVY DUTY	SEK810.30
5	5180470	UPPER METAL SEAT REAR SPRING	SEK138.75
6	5180140	UPPER RUBBER SEAT REAR SPRING	SEK115.44
7	5181030	SPACER REAR SPRING 11mm	SEK760.21
7	5181040	SPACER REAR SPRING 16mm	SEK760.21
7	5181050	SPACER REAR SPRING 21mm	SEK921.16
8	5190270	UPPER BUMP STOP REAR AXLE VERSION FOR 31mm REBOUND STRAP	SEK173.72
8	5190290	UPPER BUMP STOP REAR AXLE VERSION FOR 45mm REBOUND STRAP	SEK437.20
9	5190590	SCREW REAR UPPER BUMP STOP	SEK28.03
10	5190870	Bump Stop Spacer	SEK476.88
10	5190880	SPACER REAR UPPER BUMP STOP HEIGHT 10mm	SEK476.88
11	5190030	REBOUND STRAP GUIDE PANEL UNDER UPPER STOP REAR AXLE ONE BENDED END	SEK143.47
12	5190540	REBOUND STRAP GUIDE PANEL UNDER UPPER BUMP STOP REAR AXLE TWO BENDED ENDS	SEK150.41
13	5190530	FITTING KIT FOR ONE REBOUND STRAP 31 mm	SEK150.41
14	4540362	INNER REBOUND STRAP REAR 31 mm	SEK145.69
14	4541050	REAR REBOUND STRAP SET (4PC) ORIGINAL MATERIAL	SEK1,037.71
15	4540361	OUTER REBOUND STRAP REAR 31 mm	SEK145.69



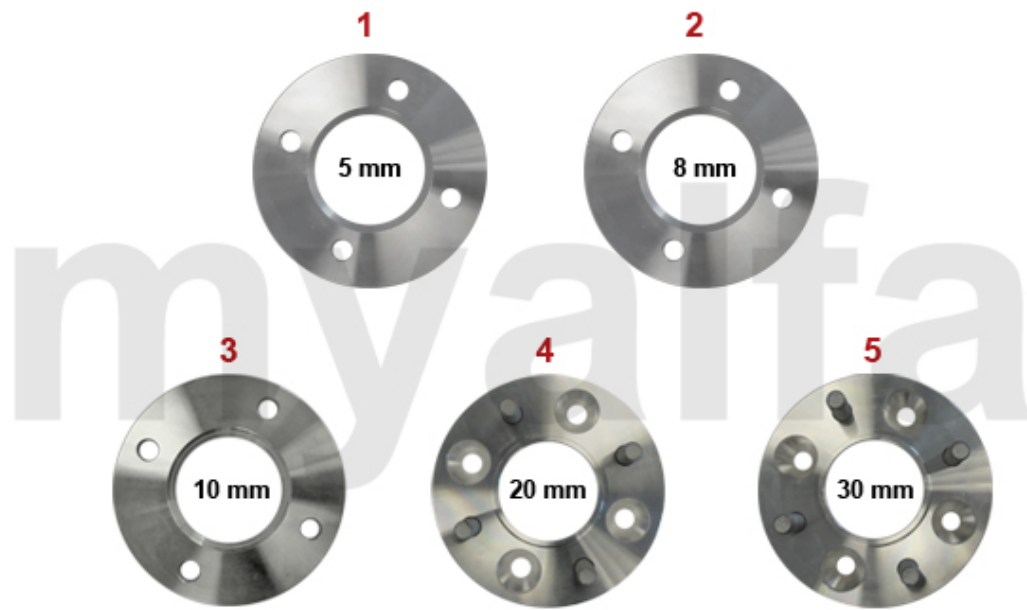
1	5320310	REAR TRAILING ARM 1968-93, WITHOUT BUSHINGS	SEK1,375.85
2	5341540	FRONT TRAILING ARM BUSH 1962-68, DIAMETER 36 mm	SEK324.12
2	5340320	FRONT TRAILING ARM BUSH 1968-93, DIAMETER 50 mm	SEK219.23
2	5341090	FRONT TRAILING ARM BUSH 1968-93, DIAMETER 50 mm HEAVY DUTY	SEK299.70
3	5340330	REAR TRAILING ARM BUSH 1962-93	SEK219.23
3	5341100	REAR TRAILING ARM BUSH 1962-93, HEAVY DUTY	SEK299.70
4	5190910	FRONT SCREW TRAILING ARM	SEK80.48
5	5350920	BOLT FOR REAR OF TRAILING ARM	SEK250.72
6	5190650	SAFETY NUT FRONT SCREW TRAILING ARM	SEK45.51
7	5350660	BIG SAFETY NUT FOR TRAILING ARM BOLT	SEK50.09
8	5350670	SMALL SAFETY NUT FOR TRAILING ARM BOLT	SEK19.29
9	5350551	T-BAR END BUSH	SEK348.68
10	5350552	T-BAR END BUSH HOUSING	SEK454.68
11	5351860	T-BAR SPACER 2 mm	On request
12	5350970	T-BAR END RUBBER WASHER RUBBER	SEK61.74
13	5350450	T-BAR CONICAL BUSH	SEK48.98
13	5351460	T-BAR CONICAL BUSH HEAVY DUTY	SEK92.69
14	5240420	ANTI-ROLL BAR RUBBER REAR SET (2) 105, 115	SEK162.06
15	5240440	BRACKET REAR ANTI ROLL BAR REAR	SEK162.06
16	5240410	REAR DROP LINK UPPER BUSH	SEK115.44
17	5240400	REAR DROP LINK LOWER BUSH	SEK125.99
18	5231390	REAR ANTI ROLL BAR DROP LINK INCL. BUSHINGS	SEK804.47
19	5451050	SELF LOCKING NUTS FOR SUSPENSION TYPE 105 - 1 SET (38 PIECES)	SEK378.93



<b>1</b>	<b>5441550</b>	<b>WHEEL BEARING KIT REAR 1964-72 WITH TAB WASHER</b>	<b>SEK809.19</b>
<b>2</b>	<b>5441560</b>	<b>WHEEL BEARING KIT REAR 1972-93 WITH SHRINK RING</b>	<b>SEK738.01</b>
<b>2</b>	<b>5441570</b>	<b>SKF WHEEL BEARING SET 1972-93</b>	<b>SEK1,340.88</b>
<b>3</b>	<b>2330270</b>	<b>OIL SEAL WHEEL BEARING REAR 750/101, 105 1300-1750 1962-72 52/30/10</b>	<b>SEK170.25</b>
<b>4</b>	<b>2330280</b>	<b>OIL SEAL WHEEL BEARING REAR 1300-2000 1972-93 52/34/10</b>	<b>SEK110.72</b>
<b>5</b>	<b>5740862</b>	<b>WHEEL STUD RIGHT HAND THREAD 105 REAR UP TO 1972, 750/101/102/106 REAR AND FRONT</b>	<b>SEK170.25</b>
<b>5</b>	<b>5740850</b>	<b>REAR WHEEL BOLT RIGHT HAND THREAD FROM YEAR 1972 105/115</b>	<b>SEK74.65</b>



1	5740981	WHEEL NUT STEEL WHEEL OPEN END LEFT HAND THREAD	SEK69.10
1	5740982	WHEEL NUT STEEL WHEEL OPEN END RIGHT HAND THREAD	SEK64.10
1	5740971	WHEEL NUT BRASS 22mm OPEN LEFT HAND THREAD, TAPERED FLANGE	SEK92.13
1	5740972	WHEEL NUT BRASS 22mm OPEN RIGHT HAND THREAD, TAPERED FLANGE	SEK87.41
2	5740842	WHEEL NUT STANDARD 2000 RIGHT HAND THREAD	SEK64.10
3	5741481	WHEEL NUT STANDARD 2000 CHROMED, LEFT HAND THREAD	SEK103.79
3	5741482	WHEEL NUT STANDARD 2000 CHROMED, RIGHT HAND THREAD	SEK99.07
4	5740942	WHEEL NUT ALUMINIUM WHEEL HIGH GLOSS CHROMED, RIGHT HAND THREAD	SEK45.37
4	5740941	WHEEL NUT ALUMINIUM WHEEL HIGH GLOSS CHROMED, LEFT HAND THREAD	SEK45.37
5	5741951	WHEEL NUT CROMODORA ALUMINIUM WHEEL LEFT HAND THREAD	SEK80.48
5	5741952	WHEEL NUT ALUMINIUM WHEEL CROMODORA RIGHT HAND THREAD	SEK75.76
6	5741710	LOCK SET ALUMINIUM WHEEL RIGHT HAND THREAD	SEK451.22



<b>1</b>	<b>5742620</b>	<b>WHEEL SPACERS 2x5mm</b>	<b>SEK687.92</b>
<b>2</b>	<b>5742630</b>	<b>WHEEL SPACERS 2x8mm</b>	<b>SEK804.47</b>
<b>3</b>	<b>5742000</b>	<b>WHEEL SPACERS 2x10mm, STEEL WHEELS ONLY</b>	<b>SEK921.16</b>
<b>4</b>	<b>5741980</b>	<b>WHEEL SPACERS 2x20mm</b>	<b>SEK2,203.63</b>
<b>5</b>	<b>5741990</b>	<b>WHEEL SPACERS 2x30mm</b>	<b>SEK2,553.42</b>



0	5710010	STEEL WHEEL 5.5x14, ET24, (BIG HUBCAP)	SEK1,504.05
0	5710030	STEEL WHEEL 5.5x14, ET24, (SMALL HUBCAP)	SEK1,504.05
1	5722330	ALUMINIUM WHEEL 6x14, ET 24, SPIDER / GT BERTONE CROMODORA WITH NUTS AND CENTRE BADGE	SEK3,369.68
2	5722480	ALUMINIUM WHEEL 7x15, ET 18, SPIDER / GT BERTONE	SEK3,672.85
3	5722490	ALUMINIUM WHEEL 5-SPOKE (SET 4 PCS), 7x15, ET 25 SPIDER/GT BERTONE	On request
4	5722610	ALUMINIUM WHEEL GTA STYLE, 6x14, OFFSET 30	SEK2,506.80
5	5722630	ALU RIM GTA STYLE 6.5x14 OFFSET 17, WITH CERTIFICATE	SEK2,681.62
6	5722620	ALUMINIUM WHEEL GTA STYLE, 7x14, OFFSET 23	SEK2,856.59
7	5722640	ALUMINIUM WHEEL GTA STYLE 6x15 OFFSET 28,5	SEK2,740.04
8	5723320	ALUMINIUM WHEEL 7x15, ET 29 GTA REPLICA WITH CENTRE BADGE	SEK3,031.55
9	5723330	ALUMINIUM WHEEL 7x15, ET 35 GTA REPLICA GIULIA / GT BERTONE WITH CENTRE BADGE, WITHOUT WHEEL NUTS	On request
10	9202180	SET VALVE CAPS WITH ALFA ROMEO BADGE	SEK266.96
11	5741710	LOCK SET ALUMINIUM WHEEL RIGHT HAND THREAD	SEK451.22



<b>1</b>	<b>5731090</b>	<b>HUBCAP SERIES 1 EMBOSSED BADGE</b>	<b>SEK1,037.71</b>
<b>2</b>	<b>5731100</b>	<b>HUBCAP SERIES 1 SMALL CIRCLE (PUSH ON)</b>	<b>SEK804.47</b>
<b>3</b>	<b>5730190</b>	<b>HUBCAP SERIES 1 LARGE RING</b>	<b>SEK571.37</b>
<b>4</b>	<b>5731180</b>	<b>HUBCAP SERIES 2 EMBOSSED BADGE "POLISHED"</b>	<b>SEK454.68</b>
<b>5</b>	<b>5730200</b>	<b>HUBCAP SERIES 2 WITH CENTRE BADGE "POLISHED"</b>	<b>SEK571.37</b>
<b>6</b>	<b>5730300</b>	<b>HUBCAP RETAINING CLIP</b>	<b>SEK54.81</b>

<b>1</b>	<b>5510310</b>	<b>STEERING BOX CASING BURMAN</b>	<b>SEK7,683.70</b>
<b>1</b>	<b>55120938</b>	<b>STEERING BOX BURMAN MODELS WITH UMBRELLA HANDBRAKE</b>	<b>SEK8,733.06</b>
<b>2</b>	<b>5510030</b>	<b>STEERING GEAR REPAIR</b>	<b>SEK18,597.22</b>
<b>3</b>	<b>5510330</b>	<b>BALL STEERING BOX BURMAN</b>	<b>SEK34.97</b>
<b>4</b>	<b>5510350</b>	<b>HALF MOON SEAL FOR STEERING ROD</b>	<b>SEK92.13</b>
<b>5</b>	<b>1770310</b>	<b>LOCKING TAB STEERING WHEEL UNTIL 1985</b>	<b>SEK57.17</b>
<b>6</b>	<b>1770320</b>	<b>NUT STEERING WHEEL - 1900, 750/101, 102/106, 105/ 115 UNTIL 1985</b>	<b>SEK204.10</b>
<b>7</b>	<b>2334000</b>	<b>GASKET SET FOR BURMAN STEERING BOX</b>	<b>SEK220.34</b>
<b>8</b>	<b>2330210</b>	<b>OIL SEAL STEERING BOX BURMANN 28 x 40 x 7mm</b>	<b>SEK237.82</b>
<b>8</b>	<b>2331210</b>	<b>O-RING FOR BURMAN STEERING BOX SERIES 1</b>	<b>SEK52.45</b>
<b>9</b>	<b>2330170</b>	<b>OIL SEAL STEERING BOX ZF</b>	<b>SEK262.38</b>
<b>10</b>	<b>5560350</b>	<b>STEERING IDLER BOX 105/115 (LEFT HAND STEERING)</b>	<b>SEK2,786.66</b>
<b>11</b>	<b>5560080</b>	<b>REPAIR KIT STEERING IDLER</b>	<b>SEK581.78</b>
<b>12</b>	<b>5560260</b>	<b>STEERING IDLER CAP AND CLAMP</b>	<b>SEK197.03</b>



1	5540181	INNER TRACK ROD END LEFT HAND THREAD LEMFÖRDER	SEK489.65
1	5540041	INNER TRACK ROD END LEFT HAND THREAD	SEK208.68
2	5540182	INNER TRACK ROD END RIGHT HAND THREAD LEMFÖRDER	On request
2	5540042	INNER TRACK ROD END RIGHT HAND THREAD	SEK208.68
3	5540331	OUTER TRACK ROD END LEFT HAND THREAD LEMFÖRDER	On request
3	5540061	OUTER TRACK ROD END LEFT HAND THREAD	SEK227.41
4	5540332	OUTER TRACK ROD END RIGHT HAND THREAD LEMFÖRDER	On request
4	5540062	OUTER TRACK ROD END RIGHT HAND THREAD	SEK227.41
5	5540030	INNER TRACK ROD	SEK460.51
6	5540090	OUTER TRACK ROD	SEK314.27
7	5540111	COUNTER NUT TRACK ROD LEFT HAND THREAD	SEK29.14
8	5540112	COUNTER NUT TRACK ROD RIGHT HAND THREAD	SEK29.14
9	5560281	STEERING BUMP STOP LEFT	On request
9	5560282	STEERING BUMP STOP RIGHT	On request



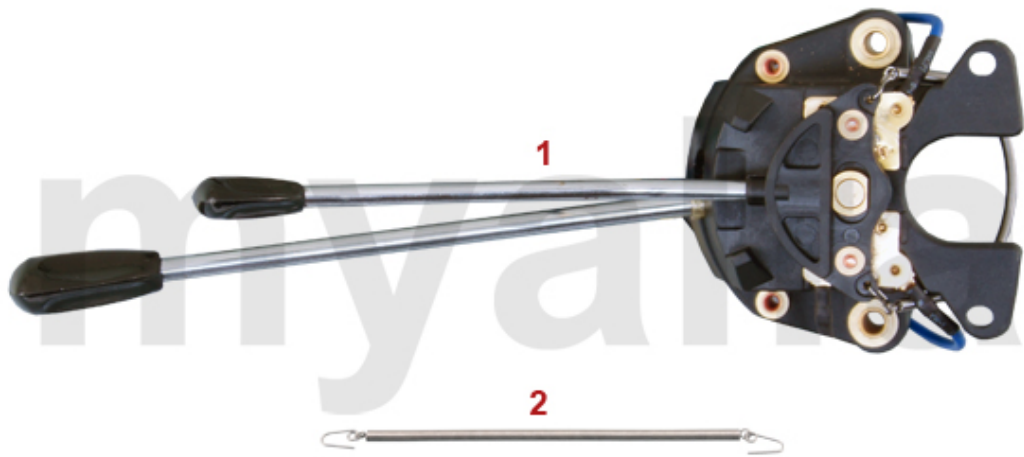
<b>1</b>	<b>8160010</b>	<b>REDOR ARM 123 DISTRIBUTOR</b>	<b>SEK290.96</b>
<b>2</b>	<b>8131790</b>	<b>DISTRIBUTOR 123 ADJUSTABLE WITHOUT VACUUM ADVANCE</b>	<b>SEK4,372.43</b>
<b>2</b>	<b>8131800</b>	<b>DISTRIBUTOR 123 ADJUSTABLE WITH VACUUM ADVANCE</b>	<b>SEK4,722.22</b>
<b>2</b>	<b>8131820</b>	<b>123 DISTRIBUTOR PROGRAMABLE VIA USB WITH VACUUM ADVANCE</b>	<b>SEK5,351.73</b>
<b>2</b>	<b>8131830</b>	<b>123 DISTRIBUTOR PROGRAMABLE VIA BLUETOOTH WITH VACUUM ADVANCE</b>	<b>SEK5,362.27</b>
<b>3</b>	<b>8150100</b>	<b>PERTRONIX IGNITOR SET BOSCH DISTRIBUTOR 1 PIECE POINT</b>	<b>SEK2,190.86</b>
<b>3</b>	<b>8150110</b>	<b>IGNITOR FOR MARELLI DISTRIBUTOR</b>	<b>SEK2,850.76</b>
<b>4</b>	<b>8131770</b>	<b>PERFORMANCE IGNITION KIT WITHOUT POINT WITH HD COIL</b>	<b>On request</b>



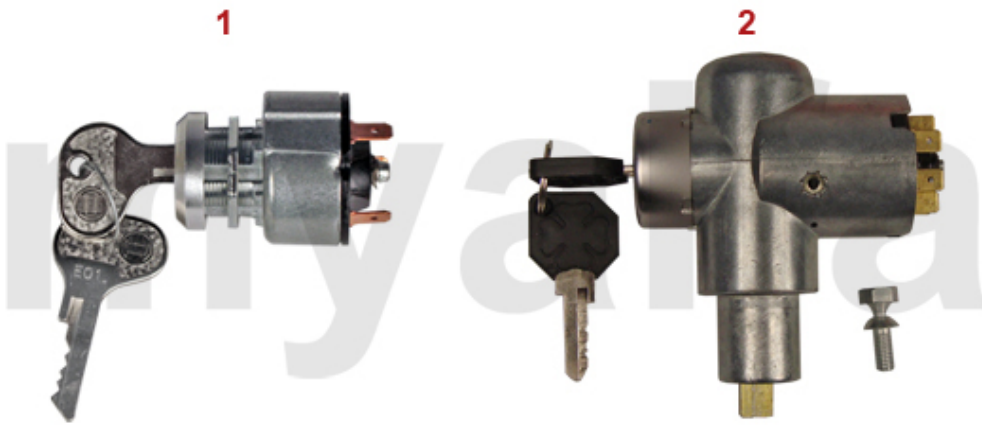
<b>1</b>	<b>8150030</b>	<b>POINTS MARELLI</b>	<b>SEK109.61</b>
<b>2</b>	<b>8170050</b>	<b>DISTRIBUTOR CAP MARELLI, FOR IGNITION WITH POINTS</b>	<b>SEK278.61</b>
<b>3</b>	<b>8160070</b>	<b>ROTOR ARM MARELLI DISTRIBUTOR, WITH POINTS</b>	<b>SEK138.75</b>
<b>4</b>	<b>8150740</b>	<b>CONDENSER MARELLI DISTRIBUTOR</b>	<b>SEK149.30</b>



<b>1</b>	<b>8151550</b>	<b>IGNITION POINTS FOR BOSCH, 2 PIECES, 105 1963-68, 101, 106, 1900</b>	<b>SEK197.58</b>
<b>2</b>	<b>8150620</b>	<b>POINTS 1962-68 BOSCH, 2 PIECES</b>	<b>SEK170.25</b>
<b>3</b>	<b>8150280</b>	<b>POINTS 1968-89 BOSCH</b>	<b>SEK109.61</b>
<b>4</b>	<b>8170310</b>	<b>DISTRIBUTOR CAP 1962-74 BOSCH, WITH SEMI CIRCLE CUT OUT</b>	<b>SEK185.37</b>
<b>5</b>	<b>8170320</b>	<b>DISTRIBUTOR CAP 1974-93 BOSCH, NO CUT OUT</b>	<b>SEK138.75</b>
<b>6</b>	<b>8161060</b>	<b>DISTRIBUTOR ROTOR ARM, FOR BOSCH SCREWED VERSION</b>	<b>SEK348.68</b>
<b>7</b>	<b>8160360</b>	<b>ROTOR ARM BOSCH, DISTRIBUTOR WITH POINTS, PLUGGED VERSION</b>	<b>SEK127.10</b>
<b>8</b>	<b>8150790</b>	<b>CONDENSER 1962-68 BOSCH DISTRIBUTOR</b>	<b>SEK127.10</b>
<b>9</b>	<b>8151480</b>	<b>CONDENSER 1968-74 BOSCH DISTRIBUTOR, ROUND FITTING PLUG</b>	<b>SEK99.07</b>
<b>9</b>	<b>8150750</b>	<b>CONDENSER 1968-74 ORIGINAL BOSCH ROUND GROMMET</b>	<b>SEK138.75</b>
<b>10</b>	<b>8150730</b>	<b>CONDENSER 1974-93 BOSCH DISTRIBUTOR, SQUARE FITTING PLUG</b>	<b>SEK99.07</b>
<b>10</b>	<b>8150760</b>	<b>CONDENSER FROM 1974 ON ORIGINAL BOSCH RECTANGULAR GROMMET</b>	<b>SEK138.75</b>



<b>1</b>	<b>8411510</b>	<b>COLUMN SWITCH 1962-80 2 HEADLIGHTS MODELS</b>	<b>SEK2,786.66</b>
<b>1</b>	<b>8410310</b>	<b>COLUMN SWITCH 1967-77 4 HEADLIGHT MODELS</b>	<b>SEK2,786.66</b>
<b>2</b>	<b>8431320</b>	<b>INDICATOR RETURN SPRING</b>	<b>SEK92.13</b>



**1** 8111050 **IGNITION SWITCH IN DASHBOARD BOSCH**

**SEK873.85**

**2** 8110080 **IGNITION SWITCH RIGHT SIDE OF STEERING WHEEL**

**SEK1,620.74**

<b>1</b>	<b>8181620</b>	<b>HT LEADS 5mm CARBURETTOR MODELS, GREEN</b>	<b>SEK687.92</b>
<b>1</b>	<b>8180460</b>	<b>HT LEADS 7mm CARBURETTOR MODELS, RED</b>	<b>SEK460.51</b>
<b>1</b>	<b>8180450</b>	<b>HT LEADS 7mm CARBURETTOR MODELS, BLACK</b>	<b>SEK553.89</b>
<b>1</b>	<b>8180470</b>	<b>HT LEADS 7mm CARBURETTOR MODELS PREMIUM QUALITY, RED</b>	<b>SEK570.12</b>
<b>1</b>	<b>8180480</b>	<b>HT LEADS 7mm CARBURETTOR MODELS PREMIUM QUALITY, GREEN</b>	<b>SEK553.89</b>
<b>1</b>	<b>8180490</b>	<b>HT LEADS 7mm CARBURATOR MODELS YELLOW, PREMIUM QUALITY</b>	<b>SEK571.37</b>
<b>2</b>	<b>8120420</b>	<b>IGNITION COIL CARBURETTOR HEAVY DUTY WITH RESISTOR</b>	<b>SEK1,370.02</b>
<b>2</b>	<b>8120200</b>	<b>IGNITION COIL CARBURETTOR STANDARD</b>	<b>SEK437.20</b>
<b>2</b>	<b>8120210</b>	<b>IGNITION COIL CARBURETTOR MODEL ORIGINAL MAGNETI MARELLI</b>	<b>SEK697.22</b>
<b>3</b>	<b>BA2HL</b>	<b>SPARK PLUG "myalfa" 2HL</b>	<b>SEK103.79</b>
<b>3</b>	<b>BP7ES</b>	<b>OE. 60512929 SPARK PLUG NGK BP7ES</b>	<b>SEK57.17</b>
<b>4</b>	<b>8181750</b>	<b>HT LEAD CLAMP FIT ON THERMOSTAT HOUSING</b>	<b>SEK197.03</b>

1	82214960	STARTER MOTOR 9 TOOTH	SEK2,203.63
1	8220085	STARTER MOTOR, 8 TEETH, MADE IN GERMANY	SEK3,252.99
1	8220088	STARTER MOTOR RACING 8 TEETH - 105/(750/101)	SEK5,818.20
1	82214965	STARTER MOTOR, 9 TEETH, MADE IN GERMANY	SEK3,252.99
2	8220930	STARTER MOTOR MOUNTING BOLT	SEK92.13
3	8220900	SPACER PLATE STARTER	SEK138.75
4	8210780	ALTERNATOR 65A BUILT IN REGULATOR	SEK2,436.87
4	8210680	DYNAMO/GENERATOR EXCHANGE 25A DIRECT CURRENT 750 / 101 / 105 1.SERIES , DEPOSIT 300,00 EURO	SEK5,771.58
4	8210180	ALTERNATOR 65A EXTERNAL REGULATOR	SEK2,553.42
4	8210690	DYNAMO 50 A - 750/101/105 1ST S. - WITH INTEGRATED REGULATOR	SEK7,683.70
4	8210670	GENERATOR RACING, 40 A, 3.50 kg	SEK8,319.17
5	8210190	ALTERNATOR 45A BUILT IN REGULATOR, LIGHT WEIGHT 2.85 kg	SEK2,913.75
6	8231210	REGULATOR ELECTRICAL FOR BOSCH GENERATOR - 101/105 1st SERIES	SEK2,553.42
6	8231200	REGULATOR MECHANICAL, FOR BOSCH GENERATOR	SEK804.47
7	8230700	EXTERNAL REGULATOR ALTERNATOR 12V	SEK378.93
7	8230710	EXTERNAL REGULATOR ALTERNATOR 12V HELLA	SEK460.51
8	8231220	INTERNAL REGULATOR ALTERNATOR 55 A BOSCH	SEK208.68
9	2702140	V-BELT 9.5x725 DYNAMO GENERATOR	SEK134.03
9	2700700	V-BELT 9.5x825	SEK103.79
9	2700710	V-BELT 9,5x850	SEK104.34
9	2700690	V-BELT 10 x 813	SEK128.21

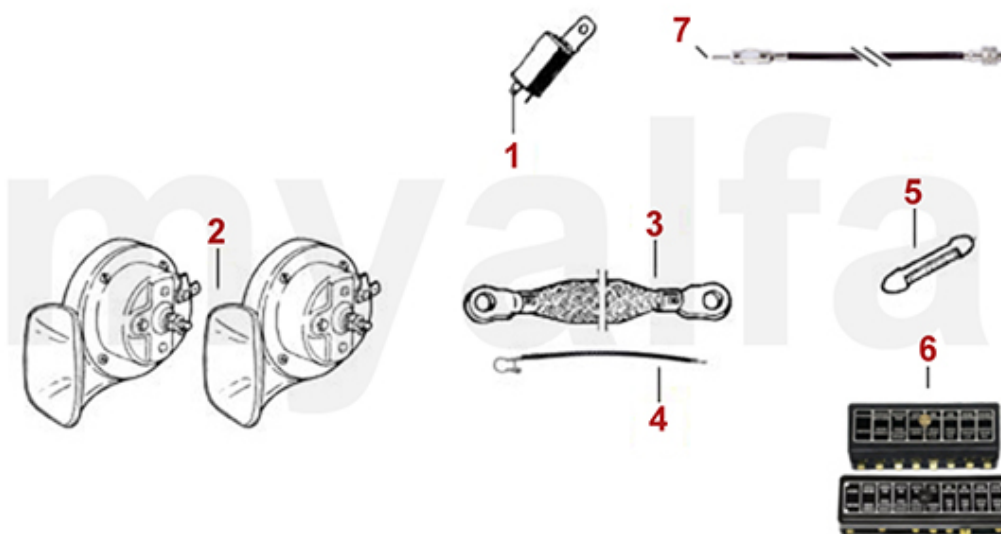


<b>1</b>	<b>8701100</b>	<b>TERMINAL CLAMP PLUS</b>	<b>SEK57.17</b>
<b>2</b>	<b>8701110</b>	<b>TERMINAL CLAMP MINUS</b>	<b>SEK51.34</b>
<b>2</b>	<b>8701130</b>	<b>BATTERY SWITCH / MASS POLE CLAMP</b>	<b>SEK92.13</b>
<b>3</b>	<b>8701840</b>	<b>GROUND STRAP WITH TERMINAL CLAMP</b>	<b>SEK289.16</b>
<b>4</b>	<b>1190270</b>	<b>BATTERY CLAMP</b>	<b>SEK231.99</b>
<b>5</b>	<b>1190260</b>	<b>THREADED ROD (SET 2 PCS) WITH WING NUT FOR BATTERY BRACKET, STAINLESS STEEL</b>	<b>SEK266.96</b>
<b>6</b>	<b>1190250</b>	<b>BATTERY TRAY PLASTIC CARBURETTOR MODELS</b>	<b>SEK425.55</b>

<b>1</b>	<b>8610190</b>	<b>OIL PRESSURE SENDER JAEGER / VEGLIA SERIES 2</b>	<b>SEK558.47</b>
<b>1</b>	<b>8611330</b>	<b>OIL PRESSURE SENDER VEGLIA SERIES 1</b>	<b>SEK558.47</b>
<b>1</b>	<b>8610180</b>	<b>OIL PRESSURE SENDER JAEGER 1st SERIES (SHORT VERSION)</b>	<b>SEK641.30</b>
<b>2</b>	<b>8410390</b>	<b>OIL PRESSURE SWITCH</b>	<b>SEK180.79</b>
<b>3</b>	<b>8640630</b>	<b>REVERSE LIGHT SWITCH BRACKET MOUNTED</b>	<b>SEK326.48</b>
<b>4</b>	<b>8640150</b>	<b>REVERS LIGHT SWITCH SCREW-IN</b>	<b>SEK185.37</b>
<b>5</b>	<b>8620470</b>	<b>WATER TEMPERATUR SENDER</b>	<b>SEK231.99</b>
<b>5</b>	<b>8627510</b>	<b>WATER TEMPERATUR SENDER 750/101/105 1ST SERIES SINGLE CARBURETOR</b>	<b>SEK378.93</b>
<b>6</b>	<b>8630400</b>	<b>BRAKE LIGHT SWITCH HYDRAULIC AT T-CONNECTION</b>	<b>SEK279.86</b>
<b>7</b>	<b>8630410</b>	<b>BRAKE LIGHT SWITCH MECHANICAL AT BRAKE PEDAL</b>	<b>SEK150.41</b>
<b>8</b>	<b>1570140</b>	<b>LIGHT UNDER BONNET/TRUNK/ GLOVE BOX</b>	<b>SEK197.03</b>
<b>9</b>	<b>8410130</b>	<b>COURTESY LIGHT / ENGINE COMPARTMENT / TRUNK SWITCH GT BERTONE</b>	<b>SEK115.44</b>

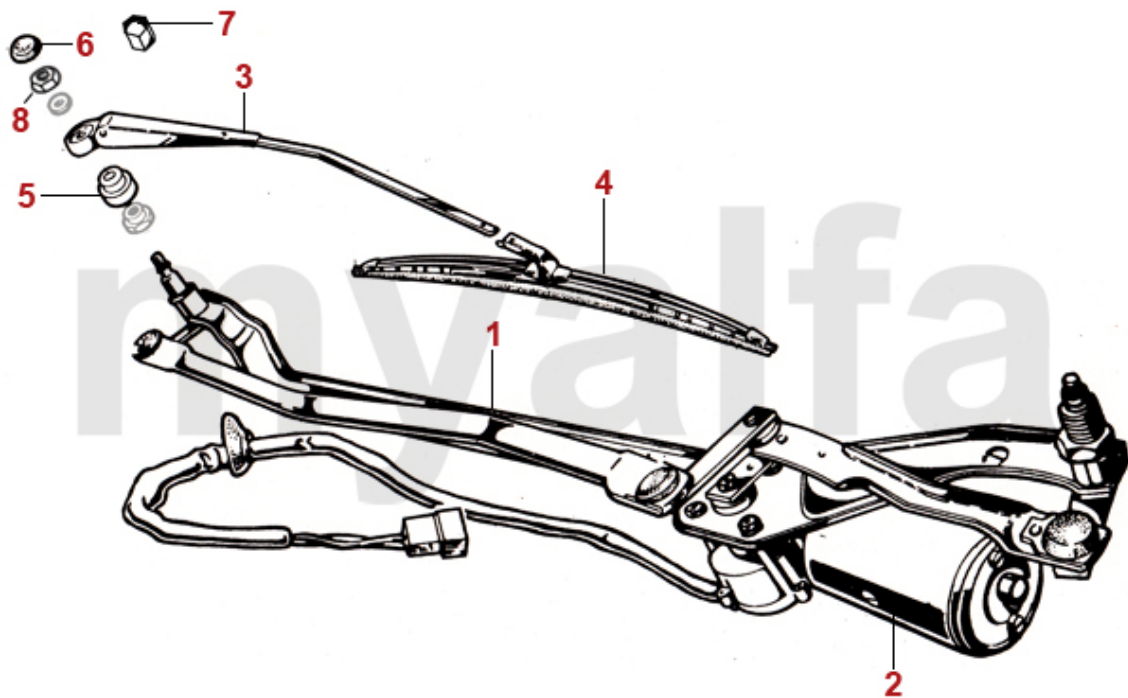
<b>1</b>	<b>8411510</b>	<b>COLUMN SWITCH 1962-80 2 HEADLIGHTS MODELS</b>	<b>SEK2,786.66</b>
<b>1</b>	<b>8410310</b>	<b>COLUMN SWITCH 1967-77 4 HEADLIGHT MODELS</b>	<b>SEK2,786.66</b>
<b>2</b>	<b>8431320</b>	<b>INDICATOR RETURN SPRING</b>	<b>SEK92.13</b>
<b>3</b>	<b>8410500</b>	<b>DASHLIGHT TOGGLE SWITCH 1300-1750</b>	<b>SEK454.68</b>
<b>4</b>	<b>8411630</b>	<b>DASHLIGHT TOGGLE SWITCH GT BERTONE 2000</b>	<b>SEK804.47</b>
<b>5</b>	<b>8410570</b>	<b>HEATER FAN TOGGLE SWITCH ONE POSITION</b>	<b>SEK687.92</b>
<b>6</b>	<b>8410560</b>	<b>HEATER FAN TOGGLE SWITCH TWO POSITION</b>	<b>SEK687.92</b>
<b>7</b>	<b>8410520</b>	<b>WINDSCREEN WIPER TOGGLE SWITCH GT BERTONE / GIULIA</b>	<b>SEK687.92</b>
<b>8</b>	<b>8410870</b>	<b>HAZARD LIGHT SWITCH ROUND</b>	<b>SEK454.68</b>
<b>9</b>	<b>8430960</b>	<b>HAZARD UPGRADE KIT 12V HELLA</b>	<b>SEK1,853.84</b>
<b>10</b>	<b>1570940</b>	<b>WARNING LAMP BRAKEFLUID LEVEL</b>	<b>SEK277.50</b>
<b>11</b>	<b>8411090</b>	<b>HEATED REAR SCREEN SWITCH GIULIA / GT BERTONE</b>	<b>SEK1,037.71</b>

<b>1</b>	<b>1570080</b>	<b>INDICATOR LAMP FOR INDICATOR (ONE ARROW)</b>	<b>SEK256.55</b>
<b>2</b>	<b>1570010</b>	<b>INDICATOR LAMP FOR INDICATOR</b>	<b>SEK256.55</b>
<b>3</b>	<b>1570020</b>	<b>INDICATOR LAMP RED, BRAKE</b>	<b>SEK256.55</b>
<b>4</b>	<b>1570030</b>	<b>INICATOR LAMP GREEN FOR DIMMED HEADLIGHTS</b>	<b>SEK256.55</b>
<b>5</b>	<b>1570040</b>	<b>INDICATOR LIGHT BLUE FOR FULL BEAM</b>	<b>SEK256.55</b>
<b>6</b>	<b>1570050</b>	<b>INDICATOR LAMP YELLOW FOR FOG LAMP</b>	<b>SEK256.55</b>
<b>7</b>	<b>1570060</b>	<b>CLAMP FOR DASHBOARD LAMP</b>	<b>SEK17.48</b>



1	8420740	INDICATOR/FLASHER METAL RELAY 3 PIN	SEK221.58
1	8420750	INDICATOR/FLASHER PLASTIC RELAY 4 PIN	SEK230.88
2	8701120	HORN SET LOW / HIGH	SEK532.80
3	8701070	GROUND STRAP CARBURETTOR TO BODY 120 mm	SEK92.13
3	8701230	GROUND STRAP TRANSMISSION / BODY 200 mm	SEK162.06
4	8701840	GROUND STRAP WITH TERMINAL CLAMP	SEK289.16
5	8701850	CONTINENTAL FUSE SET	SEK45.51
6	8412080	FUSE BOX 105 1ST SERIES (8 FUSES)	SEK2,203.63
6	8412100	FUSE BOX - 105 1ST SERIES - 10 FUSES, INCL. BRACKET	SEK2,506.80
6	8412210	FUSE BOX 105/115 (21 CONNECTORS)	SEK3,089.82
6	8412220	FUSE BOX 105/115 (22 CONNECTORS)	SEK3,719.47
6	8412105	PLATE FUSE BOX - 105 1ST SERIES - 10 FUSES, ITALIAN/ENGLISH	SEK279.86
6	8412106	FUSE BOX UNIVERSAL - 10 FUSES	SEK408.06
6	8412108	FUSE BOX - 10 FUSES, SCREW CONNECTIONS	SEK921.16
7	8701500	ANTENNA CABLE DIN 150cm WITH SCREW CONNECTOR	SEK81.03
8	8701053	HARNESS GT BERTONE JUNIOR 1300	SEK7,567.15
8	8701054	HARNESS GT BERTONE 2000 GTV LHD	SEK7,567.15
8	8700090	WIRING HARNESS - 105 GT BERTONE 1750 SERIES 1, 1967-69	SEK8,160.58
8	8701260	WIRING HARNESS - 105 GT JUNIOR TOP MOUNTED PEDALS	SEK7,567.15

<b>1</b>	<b>8810210</b>	<b>WINDSHIELD WASHER FOOT PUMP</b>	<b>SEK757.85</b>
<b>2</b>	<b>1630120</b>	<b>GROMMET WIPER MOTOR CABLE, WASHER HOSE WIND SHIELD</b>	<b>SEK127.10</b>
<b>3</b>	<b>8810100</b>	<b>WASHER BAG FOR MECHANICAL FOOT PUMP USE</b>	<b>SEK220.34</b>
<b>3</b>	<b>8810190</b>	<b>WATER BAG FOREDIT (750/101/102/106/105)</b>	<b>SEK687.92</b>
<b>4</b>	<b>8810140</b>	<b>WASHER BAG WITH ELECTRIC PUMP</b>	<b>SEK402.24</b>
<b>5</b>	<b>8810120</b>	<b>WASHER BAG RETAINING CLIP</b>	<b>SEK20.40</b>
<b>6</b>	<b>8820120</b>	<b>WASHER HOSE 3,75 m</b>	<b>SEK86.30</b>
<b>7</b>	<b>8800210</b>	<b>SPRAY NOZZLE 2 JETS GIULIA / GT BERTONE</b>	<b>SEK45.51</b>
<b>7</b>	<b>8800220</b>	<b>SPRAY NOZZLE 2 JETS GIULIA/GT BERTONE/MONTREAL</b>	<b>SEK347.43</b>
<b>7</b>	<b>8800820</b>	<b>WASHER JET CHROME 2-JETS (750/101)</b>	<b>SEK150.41</b>
<b>8</b>	<b>8820150</b>	<b>NON RETURN VALVE WASHER BAG</b>	<b>SEK92.69</b>



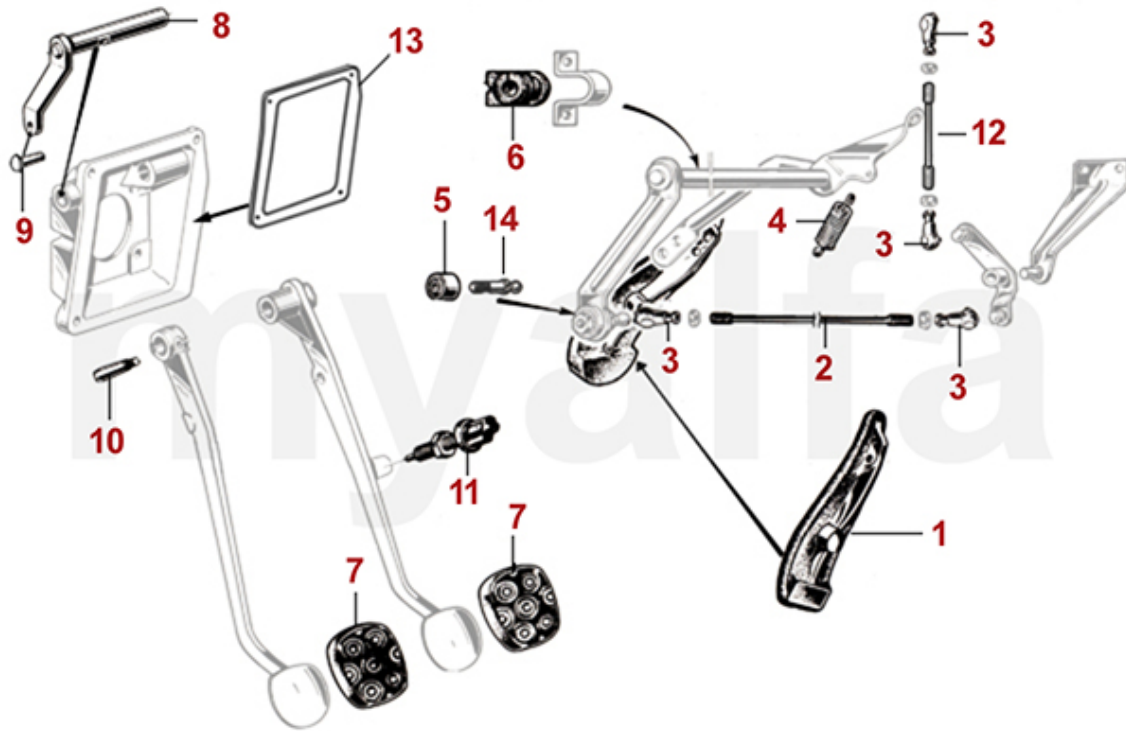
1	8840370	WIPER LINKAGE GT BERTONE	SEK2,786.66
2	8841110	WIPER MOTOR GIULIA / GT BERTONE 4 CONNECTIONS	SEK2,203.63
2	8840470	WIPER MOTOR GIULIA / GT BERTONE / SPIDER 1966-69 / 3 CONNECTIONS	SEK2,203.63
3	8830181	WIPER ARM GT BERTONE LEFT BAYONET END STAINLESS STEEL	SEK348.68
3	8830182	WIPER ARM GT BERTONE RIGHT BAYONET END STAINLESS STEEL	SEK348.68
4	8830040	SET WIPER BLADES GT BERTONE/ GIULIA/ BERLINA/SPIDER 1966-69 HOOK END STAINLESS STEEL	SEK441.92
4	8830030	SET WIPER BLADES GT BERTONE/GIULIA/ BERLINA/SPIDER 1966-69 BAYONET END STAINLESS STEEL	SEK418.61
4	8830120	SET WIPER BLADES GT BERTONE/GIULIA/SPIDER 1966-69 BAYONET END STAINLESS STEEL (CARELLO DESIGN)	SEK465.23
5	8830350	WIPER SPINDLE CAP GIULIA / GT BERTONE	SEK103.79
6	8830070	CAP WIPER ARM (SET) GRAY	SEK62.99
6	8830240	WIPER SPINDLE COVER OVAL, GRAY	SEK110.72
6	8830250	WIPER SPINDLE CAP OVAL, BLACK	SEK110.72
7	8830080	DOMED NUT WIPER ARM STAINLESS STEEL	SEK11.10
7	8830090	DOMED NUT WIPER ARM ORIGINAL ALUMINIUM	SEK17.48
8	8830100	NUT WIPER ARM	SEK11.10

<b>1</b>	<b>1190120</b>	<b>CHOKE CABLE ALL MODELS WITHOUT CONSOLE/MANUAL THROTTLE CABLE SPIDER 1970-86 W. CONSOLE</b>	<b>SEK138.75</b>
<b>2</b>	<b>1190110</b>	<b>MANUAL THROTTLE CABLE, NOT SPIDER WITH CONSOLE</b>	<b>SEK145.69</b>
<b>3</b>	<b>1190130</b>	<b>CHOKE CABLE SPIDER 1970-86 WITH CONSOLE</b>	<b>SEK430.26</b>
<b>4</b>	<b>1190480</b>	<b>MANUAL THROTTLE CABLE FOR MODELS WITH PULL CHORD</b>	<b>SEK390.58</b>
<b>5</b>	<b>1190310</b>	<b>BONNET LOCK GT / GTV / GTC / GTA / GTAm</b>	<b>SEK1,504.05</b>
<b>6</b>	<b>1190210</b>	<b>BONNET LATCH PLATE GT BERTONE / SPIDER</b>	<b>SEK499.08</b>
<b>7</b>	<b>1190070</b>	<b>BONNET RELEASE CABLE GT BERTONE / SPIDER</b>	<b>SEK138.75</b>
<b>8</b>	<b>1760030</b>	<b>BONNET OPENING LEVER</b>	<b>On request</b>
<b>9</b>	<b>1170010</b>	<b>LOCK FOR TRUNK LID</b>	<b>On request</b>
<b>10</b>	<b>1190550</b>	<b>BOOT LID CABLE GT BERTONE</b>	<b>SEK243.65</b>
<b>11</b>	<b>1190170</b>	<b>SCREWED NIPPLE BONNET CABLE</b>	<b>SEK57.17</b>
<b>12</b>	<b>1761270</b>	<b>BOOT RELEASE HANDLE PLASTIC BLACK</b>	<b>SEK921.16</b>
<b>12</b>	<b>1761250</b>	<b>BOOT RELEASE HANDLE CHROMED</b>	<b>SEK1,339.63</b>
<b>13</b>	<b>1171220</b>	<b>LOCK BARREL BOOT LID RELEASE HANDLE</b>	<b>On request</b>

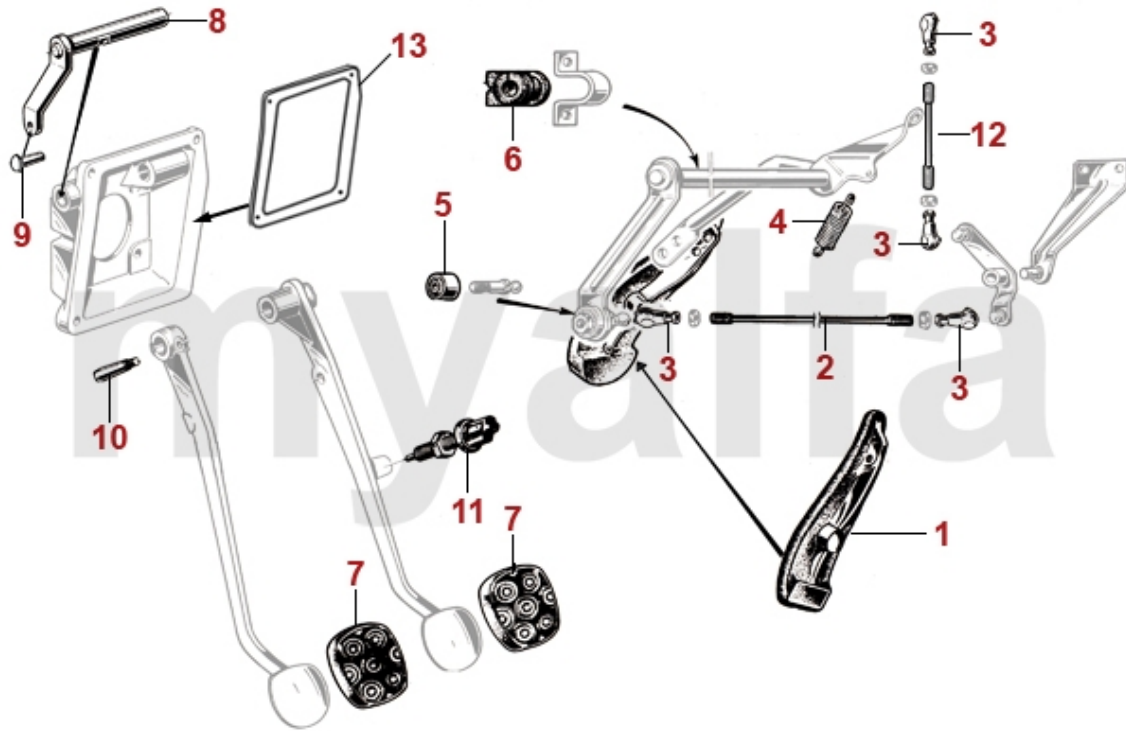




<b>1</b>	<b>8900020</b>	<b>SPEEDOMETER CABLE 1300-1600 / GT BERTONE 1750, 1890 mm</b>	<b>SEK285.69</b>
<b>1</b>	<b>8900030</b>	<b>SPEEDOMETER CABLE 2000 / SPIDER 1750 / 2000 1970-86, 2000 mm</b>	<b>SEK285.69</b>
<b>2</b>	<b>8900040</b>	<b>TACHOMETER CABLE 750/101/101/115 1300-1600/ GT BERTONE 1750, 1410 mm</b>	<b>SEK332.31</b>
<b>2</b>	<b>8900050</b>	<b>TACHOMETER CABLE 2000 / SPIDER 1750/2000 1970-85, 1509 mm</b>	<b>SEK285.69</b>



<b>1</b>	<b>1701100</b>	<b>ACCELERATOR PEDAL STANDING PEDALS</b>	<b>SEK548.06</b>
<b>1</b>	<b>1700770</b>	<b>ACCELERATOR PEDAL HANGING PEDALS</b>	<b>SEK524.75</b>
<b>2</b>	<b>2521320</b>	<b>ADJUSTABLE ACCELERATOR ROD, LONG</b>	<b>SEK256.55</b>
<b>3</b>	<b>2521310</b>	<b>METAL THROTTLE ROD END</b>	<b>SEK46.07</b>
<b>4</b>	<b>1191760</b>	<b>RETURN SPRING ACCELERATOR LINKAGE</b>	<b>SEK103.79</b>
<b>5</b>	<b>2522160</b>	<b>BUSH ACCELERATOR LINKAGE 105/115/116, CLUTCH LINKAGE, CARBURETTOR STUD 750/101</b>	<b>SEK54.81</b>
<b>6</b>	<b>2521740</b>	<b>ACCELERATOR RUBBER MOUNT (SET)</b>	<b>SEK110.72</b>
<b>7</b>	<b>1700100</b>	<b>BRAKE / CLUTCH PEDAL RUBBER (SET 2 PC)</b>	<b>SEK115.44</b>
<b>8</b>	<b>4390240</b>	<b>CLUTCH PIVOT SHAFT HANGING PEDALS</b>	<b>SEK1,107.64</b>
<b>9</b>	<b>4390250</b>	<b>BOLT CLUTCH PIVOT SHAFT / CLUTCH MASTER CYLINDER HANGING PEDALS</b>	<b>SEK54.25</b>
<b>10</b>	<b>4390260</b>	<b>CLAMP CLUTCH PEDAL / PIVOT SHAFT HANGING PEDALS</b>	<b>SEK99.07</b>
<b>11</b>	<b>8630410</b>	<b>BRAKE LIGHT SWITCH MECHANICAL AT BRAKE PEDAL</b>	<b>SEK150.41</b>
<b>12</b>	<b>2521330</b>	<b>ADJUSTABLE THROTTLE ROD SHORT</b>	<b>SEK162.06</b>
<b>13</b>	<b>1630060</b>	<b>RUBBER SEAL FOR PEDAL BOX , HANGING PEDALS</b>	<b>SEK255.44</b>
<b>14</b>	<b>2520010</b>	<b>BALL JOINT FOR THROTTLE ROD</b>	<b>SEK103.79</b>



<b>1</b>	<b>1701100</b>	<b>ACCELERATOR PEDAL STANDING PEDALS</b>	<b>SEK548.06</b>
<b>1</b>	<b>1700770</b>	<b>ACCELERATOR PEDAL HANGING PEDALS</b>	<b>SEK524.75</b>
<b>2</b>	<b>2521320</b>	<b>ADJUSTABLE ACCELERATOR ROD, LONG</b>	<b>SEK256.55</b>
<b>3</b>	<b>2521310</b>	<b>METAL THROTTLE ROD END</b>	<b>SEK46.07</b>
<b>4</b>	<b>1191760</b>	<b>RETURN SPRING ACCELERATOR LINKAGE</b>	<b>SEK103.79</b>
<b>5</b>	<b>2522160</b>	<b>BUSH ACCELERATOR LINKAGE 105/115/116, CLUTCH LINKAGE, CARBURETTOR STUD 750/101</b>	<b>SEK54.81</b>
<b>6</b>	<b>2521740</b>	<b>ACCELERATOR RUBBER MOUNT (SET)</b>	<b>SEK110.72</b>
<b>7</b>	<b>1700100</b>	<b>BRAKE / CLUTCH PEDAL RUBBER (SET 2 PC)</b>	<b>SEK115.44</b>
<b>8</b>	<b>4390240</b>	<b>CLUTCH PIVOT SHAFT HANGING PEDALS</b>	<b>SEK1,107.64</b>
<b>9</b>	<b>4390250</b>	<b>BOLT CLUTCH PIVOT SHAFT / CLUTCH MASTER CYLINDER HANGING PEDALS</b>	<b>SEK54.25</b>
<b>10</b>	<b>4390260</b>	<b>CLAMP CLUTCH PEDAL / PIVOT SHAFT HANGING PEDALS</b>	<b>SEK99.07</b>
<b>11</b>	<b>8630410</b>	<b>BRAKE LIGHT SWITCH MECHANICAL AT BRAKE PEDAL</b>	<b>SEK150.41</b>
<b>12</b>	<b>2521330</b>	<b>ADJUSTABLE THROTTLE ROD SHORT</b>	<b>SEK162.06</b>
<b>13</b>	<b>1630060</b>	<b>RUBBER SEAL FOR PEDAL BOX , HANGING PEDALS</b>	<b>SEK255.44</b>

1	1731320	DASHBOARD GT BERTONE 1300 - 1600	SEK12,767.36
2	1732500	DASHBOARD GT BERTONE 1750 FROM 1967-69	SEK12,767.36
2	1732480	DASHBOARD GT BERTONE 1750 FROM 1969-73	SEK12,767.36
3	1732490	DASHBOARD GT BERTONE 2000	SEK12,767.36
4	1731340	REPAIR KIT DASH TOP GT BERTONE 1300/1600 SERIES 2 / 1750	SEK2,740.04
5	1731350	REPAIR KIT DASH TOP GT BERTONE 2000	SEK2,740.04
6	1731400	WOOD DECOR FOIL FOR DASHBOARD, COLOR : LIGHT BROWN	SEK698.47
6	1731410	WOOD DECOR FOIL DASHBOARD, COLOR : DARK-BROWN	SEK698.47
7	1760580	VENEER DASHBOARD GT BERTONE 1300/1600 SERIES 2, 1750 3 PIECES	SEK1,234.74
8	1760550	VENEER DASHBOARD GT BERTONE 2000 2 PIECES	SEK884.95
9	1731050	RADIO BLANKING PLATE GT BERTONE 1963-68	SEK1,142.61
10	1732000	SET DASH TOP AIR VENTS GT BERTONE, SPIDER 1750/2000 1970-85, 1600 1981-85	SEK1,154.26
11	1570010	INDICATOR LAMP FOR INDICATOR	SEK256.55
11	1570020	INDICATOR LAMP RED, BRAKE	SEK256.55
11	1570030	INICATOR LAMP GREEN FOR DIMMED HEADLIGHTS	SEK256.55
11	1570040	INDICATOR LIGHT BLUE FOR FULL BEAM	SEK256.55
11	1570080	INDICATOR LAMP FOR INDICATOR (ONE ARROW)	SEK256.55
12	1731450	INSTRUMENT CLUSTER HOUSING GT 2000, GT Junior FROM 1974 ON	SEK4,885.39
13	1731460	INSTRUMENT INSERT "OLIO" - GT STEP BONNET - ITALIAN	SEK641.30
13	1731470	INSTRUMENT INSERT "AQUA" - GT STEP BONNET - ITALIAN	SEK641.30
13	1731480	INSTRUMENT INSERT OIL/FUEL - GT STEP BONNET - ENGLISH	SEK571.37
13	1731490	INSTRUMENT INSERT WATER/OIL - GT STEP BONNET - ENGLISH	SEK571.37

<b>1</b>	<b>1784010</b>	<b>GEARKNOB PLASTIC ORIGINAL WITH GEAR SHIFT GATE, PUSH ON STYLE</b>	<b>SEK571.37</b>
<b>1</b>	<b>1784000</b>	<b>GEARKNOB PLASTIC ORIGINAL, PUSH ON STYLE</b>	<b>SEK460.51</b>
<b>1</b>	<b>1783990</b>	<b>GEARKNOB PLASTIC ORIGINAL, SCREW ON STYLE</b>	<b>SEK553.89</b>
<b>2</b>	<b>1781050</b>	<b>SHIFT KNOB WOOD MAHOGANY RED WITH BIG BADGE</b>	<b>On request</b>
<b>3</b>	<b>1780630</b>	<b>SHIFT KNOB WOOD WITH SMALL BADGE</b>	<b>On request</b>
<b>3</b>	<b>1783950</b>	<b>GEAR KNOB WOOD BROWN COLOR WITHOUT ALFA LOGO</b>	<b>On request</b>
<b>4</b>	<b>1780140</b>	<b>GEAR-SHIFT KNOB - wood ERGONOMIC without emblem</b>	<b>On request</b>



- 1** 1761440 *INERTIA REEL SEAT BELT GIULIA / GT BERTONE STALK 31 cm*
- 2** 1763920 *STATIC SEAT BELT REAR*

**SEK931.57**  
**SEK465.23**

<b>1</b>	<b>1753090</b>	<b>HEADLINING GT BERTONE 1963-77 BLACK</b>	<b>SEK2,320.32</b>
<b>1</b>	<b>1750720</b>	<b>HEADLINING GT BERTONE 1963-77 CREME</b>	<b>SEK2,320.32</b>
<b>1</b>	<b>1753020</b>	<b>HEADLINING GTA CREME</b>	<b>SEK2,203.63</b>
<b>1</b>	<b>1753010</b>	<b>HEADLINING GTA BLACK</b>	<b>SEK2,203.63</b>
<b>1</b>	<b>1751000</b>	<b>HEADLINING GT BERTONE 1963-77 WITH OE SUNROOF</b>	<b>SEK2,157.01</b>
<b>1</b>	<b>1750710</b>	<b>HEADLINING GT BERTONE SPRINT GT 1963-66 CREME</b>	<b>SEK2,622.24</b>
<b>2</b>	<b>1762660</b>	<b>SET SUN VISORS GT BERTONE BLACK/BLACK</b>	<b>SEK1,393.33</b>
<b>2</b>	<b>1762670</b>	<b>SET SUN VISORS GT BERTONE BLACK/BEIGE</b>	<b>SEK1,393.33</b>
<b>3</b>	<b>1740970</b>	<b>BACK SHELF GT BERTONE 1300 / 1600 1962-73 / 1750 SERIES 1</b>	<b>SEK1,572.87</b>
<b>3</b>	<b>1740980</b>	<b>BACK SHELF GT BERTONE 1600 1974-77 / 1750 SERIES 2 /2000</b>	<b>SEK1,572.87</b>
<b>3</b>	<b>1740960</b>	<b>BACK SHELF GT BERTONE SERIES 2, 2000 GTV BORDEAUX</b>	<b>SEK1,620.74</b>
<b>4</b>	<b>1763110</b>	<b>REAR VIEW MIRROR SERIES 2 GIULIA, GT BERTONE, BERLINA</b>	<b>SEK1,737.29</b>
<b>5</b>	<b>1760200</b>	<b>ANTI VIBRATION SCREW LONG STICK IN REAR VISION MIRROR</b>	<b>SEK115.44</b>
<b>5</b>	<b>1760210</b>	<b>ANTI VIBRATION SCREW SHORT SCREWD IN REAR VISION MIRROR</b>	<b>SEK115.44</b>
<b>6</b>	<b>1571620</b>	<b>SET INTERIOR LENSES SERIES 2 GIULIA/GT BERTONE/BERLINA</b>	<b>SEK394.05</b>
<b>7</b>	<b>1764110</b>	<b>SET MAP POCKETS GT BERTONE 1971-77</b>	<b>SEK2,157.01</b>



<b>1</b>	<b>1773670</b>	<b>STEERING WHEEL 360 mm LEATHER, CHROMED SPOKES, WITH HOLES</b>	<b>SEK1,737.29</b>
<b>2</b>	<b>1773620</b>	<b>STEERING WHEEL 350 mm LEATHER, CHROMED SPOKES, WITH SLITS</b>	<b>On request</b>
<b>3</b>	<b>1773640</b>	<b>STEERING WHEEL 360 mm LEATHER, BLACK SPOKES WITH HOLES "PREDOTIPO"</b>	<b>On request</b>
<b>4</b>	<b>1773630</b>	<b>STEERING WHEEL 360 mm BUCKSKIN CHROMED SPOKES WITH HOLES</b>	<b>On request</b>
<b>5</b>	<b>1773680</b>	<b>STEERING WHEEL 360 mm BUCKSKIN, BLACK SPOKES, WITH HOLES "PREDOTIPO"</b>	<b>On request</b>

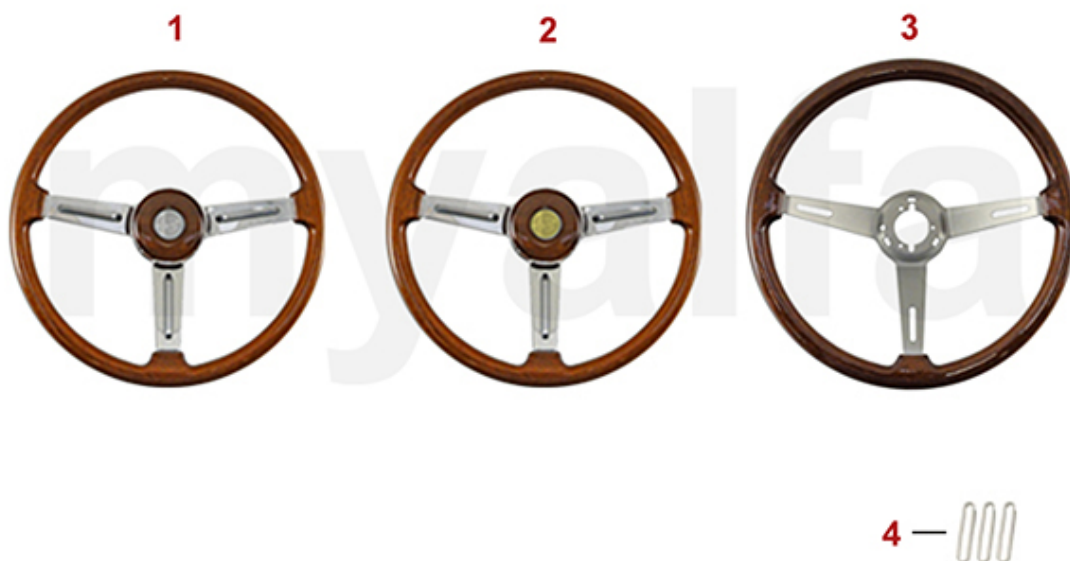


<b>1</b>	<b>1774090</b>	<b>STEERING WHEEL 330mm MAHOGANY BROWN, CHROMED SPOKES WITH SLITS</b>	<b>SEK1,387.50</b>
<b>2</b>	<b>1774060</b>	<b>STEERING WHEEL 350mm MAHOGANY REDDISH, CHROMED SPOKES WITH SLITS</b>	<b>On request</b>
<b>3</b>	<b>1773520</b>	<b>STEERING WHEEL 330mm MAHOGANY BROWN CHROMED SPOKES WITH SLITS</b>	<b>On request</b>
<b>4</b>	<b>1773510</b>	<b>STEERING WHEEL 360mm MAHOGANY RED CHROMED SPOKES</b>	<b>On request</b>
<b>5</b>	<b>1773480</b>	<b>STEERING WHEEL 330mm MAHOGANY BROWN CHROMED SPOKES</b>	<b>SEK1,387.50</b>

<b>1</b>	<b>1773570</b>	<b>STEERING WHEEL 330mm MAHOGANY RED CHROMED SPOKES, WITH HOLES</b>	<b>On request</b>
<b>2</b>	<b>1774110</b>	<b>STEERING WHEEL 350mm MAHOGANY BROWN, CHROMED SPOKES WITH HOLES</b>	<b>On request</b>
<b>3</b>	<b>1773560</b>	<b>STEERING WHEEL 330mm MAHOGANY BROWN CHROMED SPOKES WITH HOLES</b>	<b>SEK1,387.50</b>
<b>4</b>	<b>1773940</b>	<b>STEERING WHEEL 360 mm WOOD BROWN SATIN ALU SPOKES, WITH SLITS "NARDI-REPLIKA"</b>	<b>SEK3,486.23</b>
<b>5</b>	<b>1774050</b>	<b>STEERING WHEEL 350mm MAHOGANY BROWN, CHROMED SPOKES WITH SLITS</b>	<b>On request</b>



<b>1</b>	<b>1772650</b>	<b>STEERING WHEEL 365mm LEATHER BLACK FROSTED SPOKES WITH SLITS NARDI</b>	<b>On request</b>
<b>2</b>	<b>1770350</b>	<b>STEERING WHEEL 360mm WOOD FROSTED SPOKES NARDI WITH GERMAN ABE</b>	<b>SEK6,471.16</b>
<b>3</b>	<b>1773760</b>	<b>STEERING WHEEL 360mm WOOD BROWN, POLISHED SPOKES WITH SLITS NARDI</b>	<b>SEK6,471.16</b>
<b>4</b>	<b>1773940</b>	<b>STEERING WHEEL 360 mm WOOD BROWN SATIN ALU SPOKES, WITH SLITS "NARDI-REPLIKA"</b>	<b>SEK3,486.23</b>



<b>1</b>	<b>1773800</b>	<b>STEERING WHEEL 1750 FLAT DISHED COMPLETE, SILVER EMBLEM</b>	<b>SEK4,640.49</b>
<b>2</b>	<b>1773820</b>	<b>STEERING WHEEL 1750 FLAT DISHED COMPLETE, GOLDEN EMBLEM</b>	<b>SEK4,640.49</b>
<b>3</b>	<b>1773790</b>	<b>STEERING WHEEL WOOD DEEP 380mm, HORN BUTTON SLIT 53mm, TYPE "HELLEBORE"</b>	<b>SEK2,903.21</b>
<b>3</b>	<b>1773810</b>	<b>STEERING WHEEL WOOD DEEP 380mm, HORN BUTTON SLIT 57mm, TYPE "PERSONAL"</b>	<b>On request</b>
<b>4</b>	<b>1781430</b>	<b>SET HORN BUTTON SURROUND 53 mm, HELLEBORE, 3 PIECES</b>	<b>SEK173.72</b>
<b>4</b>	<b>1781420</b>	<b>SET HORN BUTTON SURROUND 57 mm, PERSONAL, 3 PIECES</b>	<b>SEK173.72</b>



<b>1</b>	<b>1774020</b>	<b>STEERING WHEEL HUB GTA 1300-1750 WITH HORN BUTTON</b>	<b>SEK4,652.15</b>
<b>1</b>	<b>1774010</b>	<b>STEERING WHEEL 385mm WOOD GTA / TZ 1 / TZ 2</b>	<b>SEK3,136.44</b>
<b>1</b>	<b>1774030</b>	<b>STEERING WHEEL HUB GTA 2000 WITHOUT HORN BUTTON</b>	<b>SEK4,185.81</b>
<b>1</b>	<b>1774080</b>	<b>STEERING WHEEL "GTA" 385mm LEATHER BLACK</b>	<b>SEK3,136.44</b>

1	1771880	STEERING WHEEL HUB SHALLOW STEERING WHEEL	SEK1,048.26
2	1771890	STEERING WHEEL HUB DEEP STEERING WHEEL	SEK1,048.26
3	1781430	SET HORN BUTTON SURROUND 53 mm, HELLEBORE, 3 PIECES	SEK173.72
3	1781420	SET HORN BUTTON SURROUND 57 mm, PERSONAL, 3 PIECES	SEK173.72
4	1731900	STEERING COLUMN SHROUD 105/ 115 WITH DEEP DISHED STEERING WHEEL& INGNITION SWITCH RIGHT	SEK2,903.21
4	1731910	STEERING COLUMN SHROUD 105/115 WITH FLAT DISHED STEERING WHEEL& INGNITION SWITCH RIGHT	SEK3,136.44
5	1731920	STEERING COLUMN SHROUD - 105 FLAT DISHED STEERING WHEEL, IGNITION IN DASHBOARD	SEK2,670.11
6	1773300	CENTER FOR ORIGINAL WOODEN STEERING WHEEL PERSONAL	SEK921.16
7	1773360	STEERING WHEEL COVER, FLAT DISHED, SPRINT GT VELOCE, DUETTO 1600 FOR GOLDEN BADGE	SEK1,107.64
7	1773350	STEERING WHEEL CENTRE COVER FLAT DISHED 1750 GTV 1ST SERIEFOR SILVER BADGE	SEK1,107.64
8	1773392	STEERING WHEEL CENTRE KNOB - SPRINT GT, GTC, GIULIA SUPER UP TO 1967, GIULIA TI SUPER	SEK1,970.53
9	1773390	STEERING WHEEL CENTRE KNOB RING - SPRINT GT, GTC, GIULIA SUPER UP TO 1967, GIULIA TI SUPER	SEK1,107.64
10	1360670	BADGE STEERING WHEEL CENTRE SILVER	SEK174.27
11	1360660	BADGE STEERING WHEEL CENTRE GOLD	SEK174.27
12	1363630	BADGE STEERING WHEEL CENTRE Alfa Romeo	SEK243.65
13	1773393	INSTALLATION KIT STEERING WHEEL CENTRE KNOB - SPRINT GT, GTC, GIULIA SUPER UP TO 1967, GIULIA TI SUPER	SEK1,504.05
14	1773394	SPRING STEERING WHEEL CENTRE KNOB - SPRINT GT, GTC, GIULIA SUPER UP TO 1967, GIULIA TI SUPER	SEK326.48
15	5510350	HALF MOON SEAL FOR STEERING ROD	SEK92.13
16	1770310	LOCKING TAB STEERING WHEEL UNTIL 1985	SEK57.17
17	1770320	NUT STEERING WHEEL - 1900, 750/101, 102/106, 105/ 115 UNTIL 1985	SEK204.10

1	1730090	GEAR LEVER GAITER WITHOUT CONSOLE LEATHER BLACK	SEK687.92
1	1730110	GEAR LEVER GAITER WITH CONSOLE 1964-86, LEATHER BLACK	SEK687.92
1	1730040	GEAR LEVER GAITER GT BERTONE 2000, LEATHER BLACK	SEK687.92
1	1730060	GEAR LEVER GAITER GT BERTONE 1750, LEATHER BLACK	SEK687.92
1	1714010	GEAR LEVER COVER GIULIA, GT BERTONE, SPIDER W/O CENTER CONSOLE SKAY BLACK	SEK338.13
2	1761750	CHROME FRAME FOR SHIFT COVER 1750	SEK961.95
2	1762000	CHROME FRAME FOR SHIFT COVER 2000	SEK804.47
3	1762530	HANDBRAKE GAITER GIULIA/GT BERTONE (NOT 1750) LEATHER BLACK	SEK815.02
3	1762540	HANDBRAKE GAITER GT BERTONE 1750 LEATHER BLACK	SEK861.64
3	1761150	RUBBER HANDBRAKE GAITER GT BERTONE 1750	SEK804.47
4	1760600	VENEER CONSOLE GT BERTONE 1750	SEK1,387.50
5	1760590	VENEER LOWER CONSOLE TRAY GT BERTONE 1750	SEK734.54
6	1760560	VENEER CONSOLE GT BERTONE 2000	SEK1,154.26
7	1760570	VENEER LOWER CONSOLE TRAY GT BERTONE 2000	SEK454.68
8	1731230	HEATER FASCIA PANEL CHROME GIULIA / GT BERTONE / SPIDER 1970-85 WITH CONSOLE	SEK309.00
8	1731270	HEATER CONTROL END KNOB 1969-85 BLACK PLASTIC	SEK52.45
8	1731620	HEATER CONTROL END KNOB 1969-85 CHROMED	SEK110.72
8	1731390	HEATER FASCIA PANEL CHROME GT BERTONE	On request
9	1731750	SCREW (2 PCS) HEATER FASCIA PANEL	SEK33.86
10	8510310	CHROME TRIM SMALL INSTRUMENTS	SEK309.00
11	1731550	CONSOLE ASHTRAY GT BERTONE FROM 1963 UP TO 1969, SPIDER 1600 FROM 1966 UP TO 1967	SEK1,107.64



<b>1</b>	<b>1702981</b>	<b>SEAT COVER 1750 GTV 1st SERIES, VINYL SKAI BLACK, LEFT</b>	<b>SEK4,419.05</b>
<b>1</b>	<b>1702982</b>	<b>SEAT COVER GT BERTONE 1750 SERIES 1 FRONT RIGHT, VINYL SKAI BLACK</b>	<b>SEK4,419.05</b>
<b>2</b>	<b>1703010</b>	<b>REAR SEAT COVER 1750 GTV 1st SERIES, VINYL SKAI BLACK</b>	<b>SEK7,333.91</b>
<b>3</b>	<b>1703000</b>	<b>SEAT COVER 1750 GTV 2nd SERIES, VINYL SKAI CINGHIALE 576/577</b>	<b>SEK3,136.44</b>
<b>3</b>	<b>1703040</b>	<b>SEAT COVER 2000 GTV, VINYL SKAI CINGHIALE 576</b>	<b>SEK3,486.23</b>
<b>3</b>	<b>1700700</b>	<b>SEAT COVER GTV 2000, VINYL SKAI BLACK</b>	<b>SEK3,486.23</b>
<b>3</b>	<b>1703050</b>	<b>SEAT COVER 2000 GTV, VINYL SKAI SAND BEIGE 575</b>	<b>SEK3,486.23</b>
<b>3</b>	<b>1702990</b>	<b>SEAT COVER GT BERTONE 1750 SERIES 2 FRONT VINYL SKAI BLACK</b>	<b>SEK3,136.44</b>
<b>4</b>	<b>1703030</b>	<b>REAR SEAT COVER GT BERTONE 1750 SERIES 2, VINYL SKAI BROWN 574</b>	<b>SEK5,188.56</b>
<b>4</b>	<b>1703060</b>	<b>REAR SEAT COVER 2000 GTV, VINYL SKAI CINGHIALE 576</b>	<b>SEK4,885.39</b>
<b>4</b>	<b>1703070</b>	<b>REAR SEAT COVER 2000 GTV, VINYL SKAI SAND BEIGE 575</b>	<b>SEK4,885.39</b>
<b>4</b>	<b>1700760</b>	<b>REAR SEAT COVER 2000 GTV, VINYL SKAI BLACK</b>	<b>SEK4,885.39</b>
<b>4</b>	<b>1703020</b>	<b>REAR SEAT COVER 1750 GTV 2nd SERIES, VINYL SKAI BLACK</b>	<b>SEK5,188.56</b>





<b>1</b>	<b>1700711</b>	<b>SEAT COVER GT JUNIOR 1300/1600 1966-73, SCAY BLACK, LEFT</b>	<b>SEK2,390.25</b>
<b>1</b>	<b>1700712</b>	<b>SEAT COVER GT JUNIOR 1300/1600 1966-73, SCAY BLACK, RIGHT</b>	<b>SEK2,390.25</b>
<b>1</b>	<b>1702931</b>	<b>SEAT COVER GT JUNIOR 1300/1600 1966-69, SCAY CINGHIALE 574, LEFT</b>	<b>SEK2,390.25</b>
<b>1</b>	<b>1702932</b>	<b>SEAT COVER GT JUNIOR 1300/1600 1966-69, VINYL SKAI CINGHIALE 574, RIGHT</b>	<b>SEK2,390.25</b>
<b>1</b>	<b>1702941</b>	<b>SEAT COVER GT JUNIOR 1300/1600 1970-73, VINYL SKAI, CINGHIALE 576, LEFT</b>	<b>SEK2,390.25</b>
<b>1</b>	<b>1702942</b>	<b>SEAT COVER GT JUNIOR 1300/1600 1970-73, VINYL SKAI, CINGHIALE 576, RIGHT</b>	<b>SEK2,390.25</b>
<b>1</b>	<b>1702961</b>	<b>SEAT COVER GT JUNIOR 1300/1600 EXPORT VERSION SQUARE BACK REST FRONT LEFT VINYL BLACK</b>	<b>On request</b>
<b>1</b>	<b>1702962</b>	<b>SEAT COVER GT JUNIOR 1300/1600 EXPORT VERSION SQUARE BACK REST FRONT RIGHT VINYL BLACK</b>	<b>On request</b>
<b>1</b>	<b>1702921</b>	<b>SEAT COVER GT JUNIOR 1300/1600 1966-73, SCAY BORDEAUX, LEFT</b>	<b>SEK2,390.25</b>
<b>1</b>	<b>1702922</b>	<b>SEAT COVER GT JUNIOR 1300/1600 1966-73, SCAY BORDEAUX, RIGHT</b>	<b>SEK2,390.25</b>
<b>2</b>	<b>1700750</b>	<b>REAR SEAT COVER GT JUNIOR 1300/1600 1970-73, VINYL SKAI BLACK</b>	<b>SEK3,952.57</b>
<b>2</b>	<b>1702970</b>	<b>REAR SEAT COVER GT JUNIOR 1300/1600 1966-69, VINYL SKAI BLACK</b>	<b>SEK3,952.57</b>



<b>1</b>	<b>1702880</b>	<b>REAR SEAT COVER 1600 SPRINT GT1963-66, VINYL SKAI BORDEAUX</b>	<b>SEK4,547.25</b>
<b>1</b>	<b>1702870</b>	<b>REAR SEAT COVER 1600 SPRINT GT, VINYL SKAI BLACK</b>	<b>SEK4,547.25</b>
<b>2</b>	<b>1702900</b>	<b>SEAT COVER GIULIA SPRINT GTV FRONT VINYL SKAI BLACK</b>	<b>SEK2,553.42</b>
<b>2</b>	<b>1702910</b>	<b>SEAT COVER 1600 SPRINT GTV 1965-68, VINYL SKAI CINGHIALE 574/577</b>	<b>SEK2,786.66</b>
<b>3</b>	<b>1704080</b>	<b>REAR SEAT COVER SET SPRINT GT VELOCE, VINYL SKAI CINGHIALE 574</b>	<b>SEK3,719.47</b>
<b>3</b>	<b>1704070</b>	<b>REAR SEAT COVER 1600 SPRINT GTV, VINYL SKAI BLACK</b>	<b>SEK4,255.74</b>

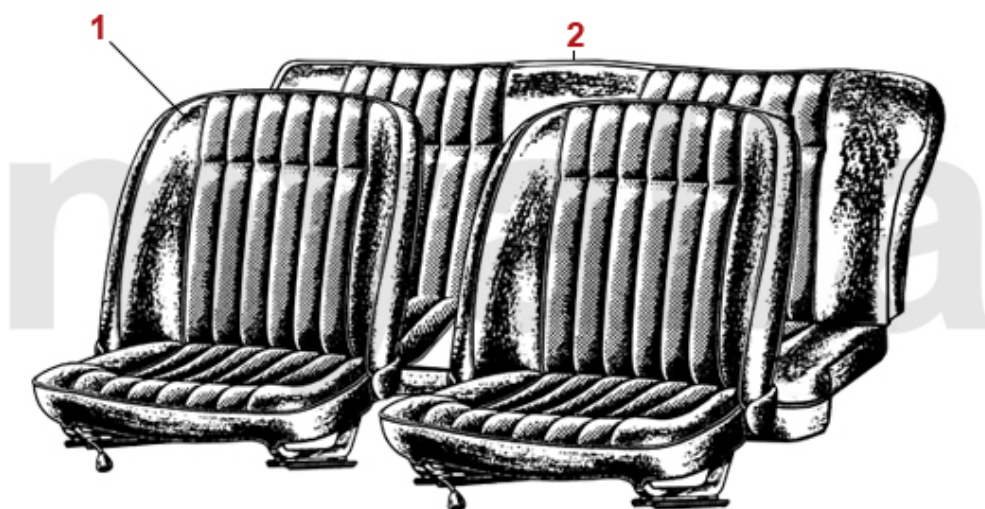
1	1703260	SEAT COVER 1600 SPRINT GT 1963-66, SCAY CINGHIALE 574	SEK2,740.04
1	1703270	SEAT COVER 1600 SPRINT GT 1963-66, SCAY BLACK	SEK2,740.04
1	1703280	SEAT COVER 1600 SPRINT GT 1963-66, SCAY BORDEAUX 563	SEK2,740.04
1	1703290	SEAT COVER 1600 SPRINT GT 1963-66, SCAY DARK GRAY 557	SEK2,740.04
1	1703330	SEAT COVER 1600 SPRINT GT 1963-66, SCAY/FABRIC, BLACK/GRAY, 572/663	SEK4,022.64
1	1703350	SEAT COVER 1600 SPRINT GT 1963-66, SCAY/FABRIC, CINGHIALE/BROWN, 574/672	SEK4,022.64
1	1704250	SEAT COVER 1600 SPRINT GT 1963-66 VINYL SKAI BROWN (ORCA 463)	SEK2,740.04
2	1702880	REAR SEAT COVER 1600 SPRINT GT1963-66, VINYL SKAI BORDEAUX	SEK4,547.25
2	1702870	REAR SEAT COVER 1600 SPRINT GT, VINYL SKAI BLACK	SEK4,547.25
2	1703300	REAR SEAT COVER 1600 SPRINT GT 1963-66, SKAY CINGHIALE 574	SEK4,547.25
2	1703320	REAR SEAT COVER 1600 SPRINT GT 1963-66, SCAY DARK GRAY 557	SEK4,547.25
2	1703340	REAR SEAT COVER 1600 SPRINT GT 1963-66, SCAY/FABRIC, BLACK/GRAY, 572/663	SEK6,704.26
2	1703360	REAR SEAT COVER 1600 SPRINT GT 1963-66, SCAY/FABRIC, CINGHIALE/BROWN, 574/672	SEK6,704.26
2	1704260	REAR SEAT COVER 1600 SPRINT GTbj.1963-66 VINYL SKAI BROWN (ORCA 463)	SEK4,547.25

1964-66 1600 Sprint GTC



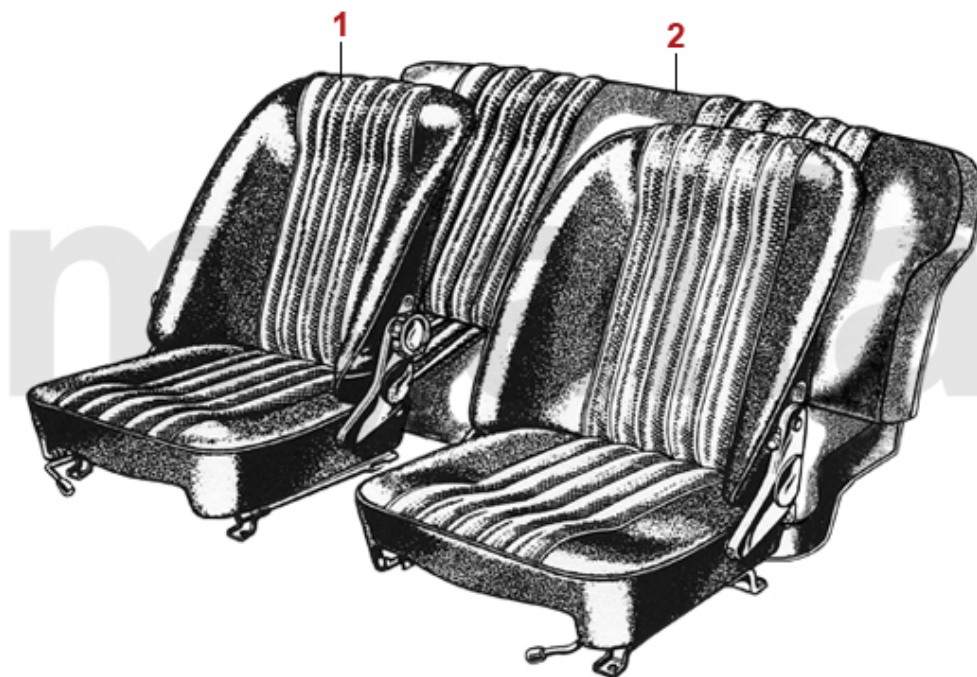
<b>1</b>	<b>1703530</b>	<b>SEAT COVER 1600 SPRINT GTC 1964-66, SCAY BLACK</b>	<b>SEK2,740.04</b>
<b>1</b>	<b>1703540</b>	<b>SEAT COVER 1600 SPRINT GTC 1964-66, SCAY DARK GRAY 557</b>	<b>SEK2,740.04</b>
<b>1</b>	<b>1703550</b>	<b>SEAT COVER 1600 SPRINT GTC 1964-66, SCAY CINGHIALE 574</b>	<b>SEK2,740.04</b>
<b>1</b>	<b>1703560</b>	<b>SEAT COVER 1600 SPRINT GTC 1964-66, SCAY BROWN 558</b>	<b>SEK2,740.04</b>
<b>2</b>	<b>1703570</b>	<b>REAR SEAT COVER 1600 SPRINT GTC 1964-66, SCAY BLACK</b>	<b>SEK4,547.25</b>
<b>2</b>	<b>1703680</b>	<b>REAR SEAT COVER 1600 SPRINT GTC 1964-66, SCAY DARK GRAY 557</b>	<b>SEK4,547.25</b>
<b>2</b>	<b>1703690</b>	<b>REAR SEAT COVER 1600 SPRINT GTC 1964-66, SCAY CINGHIALE 574</b>	<b>SEK4,547.25</b>
<b>2</b>	<b>1703700</b>	<b>REAR SEAT COVER 1600 SPRINT GTC 1964-66, SCAY BROWN 558</b>	<b>SEK4,547.25</b>

1965-69 1600 Sprint GTA



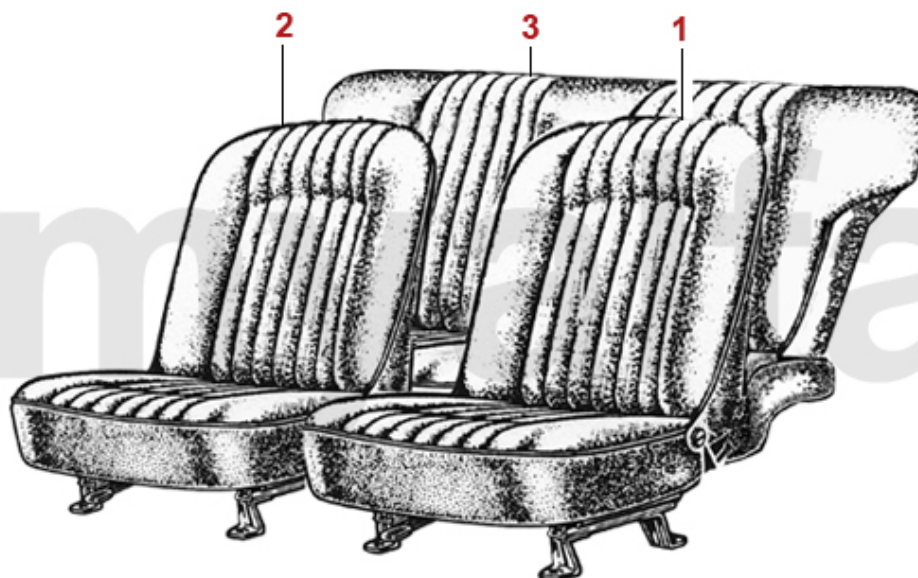
<b>1</b>	<b>1703440</b>	<b>SEAT COVER 1600 SPRINT GTA 1965-69, SCAY BLACK</b>	<b>SEK1,865.49</b>
<b>1</b>	<b>1703480</b>	<b>SEAT COVER 1600 SPRINT GTA 1965-69, SCAY DARK GRAY 557</b>	<b>SEK2,670.11</b>
<b>1</b>	<b>1703490</b>	<b>SEAT COVER 1600 SPRINT GTA 1965-69, SCAY BLACK 460/591</b>	<b>SEK2,670.11</b>
<b>2</b>	<b>1703500</b>	<b>REAR SEAT COVER 1600 SPRINT GTA 1965-69, SCAY BLACK</b>	<b>SEK3,136.44</b>
<b>2</b>	<b>1703510</b>	<b>REAR SEAT COVER 1600 SPRINT GTA 1965-69, SCAY DARK GRAY 557</b>	<b>SEK4,372.43</b>
<b>2</b>	<b>1703520</b>	<b>REAR SEAT COVER 1600 SPRINT GTA 1965-69, SCAY BLACK 460/591</b>	<b>SEK4,372.43</b>

1965-68 1600 Sprint GT Veloce



<b>1</b>	<b>1702910</b>	<b>SEAT COVER 1600 SPRINT GTV 1965-68, VINYL SKAI CINGHIALE 574/577</b>	<b>SEK2,786.66</b>
<b>1</b>	<b>1703710</b>	<b>SEAT COVER SPRINT GTV 1965-68, SCAY BLACK</b>	<b>SEK2,553.42</b>
<b>1</b>	<b>1703720</b>	<b>SEAT COVER SPRINT GTV 1965-68, SCAY DARK GRAY 557/588</b>	<b>SEK2,553.42</b>
<b>1</b>	<b>1703730</b>	<b>SEAT COVER GTV 1965-68, SCAY OCHRE 558/587</b>	<b>SEK2,553.42</b>
<b>2</b>	<b>1704070</b>	<b>REAR SEAT COVER 1600 SPRINT GTV, VINYL SKAI BLACK</b>	<b>SEK4,255.74</b>
<b>2</b>	<b>1703740</b>	<b>REAR SEAT COVER SPRINT GTV 1965-68, SCAY CINGHIALE 574/577</b>	<b>SEK4,255.74</b>
<b>2</b>	<b>1703750</b>	<b>REAR SEAT COVER SPRINT GTV 1965-68, SCAY DARK GRAY 557/588</b>	<b>SEK4,255.74</b>
<b>2</b>	<b>1703760</b>	<b>REAR SEAT COVER SPRINT GTV 1965-68, SCAY OCHRE 558/587</b>	<b>SEK4,255.74</b>

1966-73 GT Junior

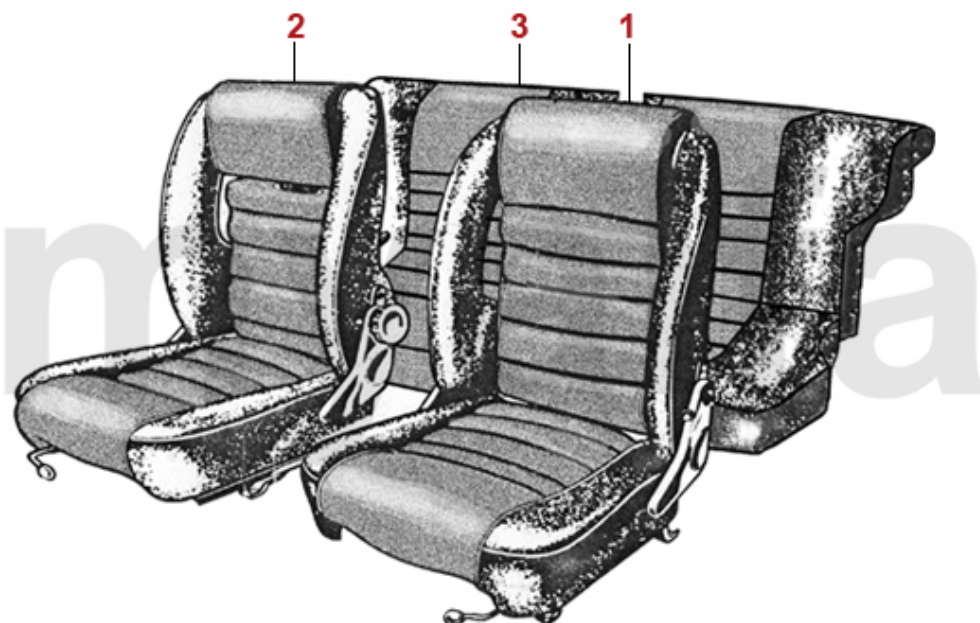


<b>1</b>	<b>1700711</b>	<b>SEAT COVER GT JUNIOR 1300/1600 1966-73, SCAY BLACK, LEFT</b>	<b>SEK2,390.25</b>
<b>1</b>	<b>1702931</b>	<b>SEAT COVER GT JUNIOR 1300/1600 1966-69, SCAY CINGHIALE 574, LEFT</b>	<b>SEK2,390.25</b>
<b>1</b>	<b>1702941</b>	<b>SEAT COVER GT JUNIOR 1300/1600 1970-73, VINYL SKAI, CINGHIALE 576, LEFT</b>	<b>SEK2,390.25</b>
<b>1</b>	<b>1703911</b>	<b>SEAT COVER GT JUNIOR 1300/1600 1970-73, VINYL SKAI, BORDEAUX 563, LEFT</b>	<b>SEK2,390.25</b>
<b>1</b>	<b>1703931</b>	<b>SEAT COVER GT JUNIOR 1300/1600 1970-73, VINYL SKAI, BLACK/GRAY, 572/663, LEFT</b>	<b>SEK3,952.57</b>
<b>1</b>	<b>1703991</b>	<b>SEAT COVER GT JUNIOR 1300/1600 1970-73, VINYL SKAI, CINGHIALE/BROWN, 574/672, LEFT</b>	<b>SEK4,780.49</b>
<b>2</b>	<b>1700712</b>	<b>SEAT COVER GT JUNIOR 1300/1600 1966-73, SCAY BLACK, RIGHT</b>	<b>SEK2,390.25</b>
<b>2</b>	<b>1702932</b>	<b>SEAT COVER GT JUNIOR 1300/1600 1966-69, VINYL SKAI CINGHIALE 574, RIGHT</b>	<b>SEK2,390.25</b>
<b>2</b>	<b>1702942</b>	<b>SEAT COVER GT JUNIOR 1300/1600 1970-73, VINYL SKAI, CINGHIALE 576, RIGHT</b>	<b>SEK2,390.25</b>
<b>2</b>	<b>1703912</b>	<b>SEAT COVER GT JUNIOR 1300/1600 1970-73, VINYL SKAI BORDEAUX 563, RIGHT</b>	<b>SEK2,390.25</b>
<b>2</b>	<b>1703932</b>	<b>SEAT COVER GT JUNIOR 1300/1600 Bj.1970-73, VINYL SKAI, BLACK/GRAY, 572/663, RIGHT</b>	<b>SEK3,952.57</b>
<b>2</b>	<b>1703992</b>	<b>SEAT COVER GT JUNIOR 1300/1600 1970-73, VINYL SKAI, CINGHIALE/BROWN, 574/672, RIGHT</b>	<b>SEK4,780.49</b>
<b>3</b>	<b>1700750</b>	<b>REAR SEAT COVER GT JUNIOR 1300/1600 1970-73, VINYL SKAI BLACK</b>	<b>SEK3,952.57</b>
<b>3</b>	<b>1702970</b>	<b>REAR SEAT COVER GT JUNIOR 1300/1600 1966-69, VINYL SKAI BLACK</b>	<b>SEK3,952.57</b>
<b>3</b>	<b>1703080</b>	<b>REAR SEAT COVER GT JUNIOR 1300/1600 1966-69, VINYL SKAI CINGHIALE 574</b>	<b>SEK3,952.57</b>
<b>3</b>	<b>1703090</b>	<b>REAR SEAT COVER GT JUNIOR 1300/1600 1970-73, VINYL SKAI CINGHIALE 576</b>	<b>SEK3,952.57</b>
<b>3</b>	<b>1703920</b>	<b>REAR SEAT COVER GT JUNIOR 1300/1600 1970-73, VINYL SKAI,</b>	<b>SEK3,952.57</b>

<b>3</b>	<b>1703950</b>	<b>REAR SEAT COVER GT JUNIOR 1300/1600 1970-73, VINYL SKAI, BLACK/GRAY, 572/663</b>	<b>SEK6,645.99</b>
<b>3</b>	<b>1704010</b>	<b>REAR SEAT COVER GT JUNIOR 1300/1600 1970-73, VINYL SKAI, CINGHIALE,BROWN, 574/672</b>	<b>SEK6,645.99</b>
<b>3</b>	<b>1703940</b>	<b>REAR SEAT COVER GT JUNIOR 1300/1600 FROM 1966 UP TO 69 VINYL SKAI,BLACK/GRAY 572/663</b>	<b>SEK6,645.99</b>

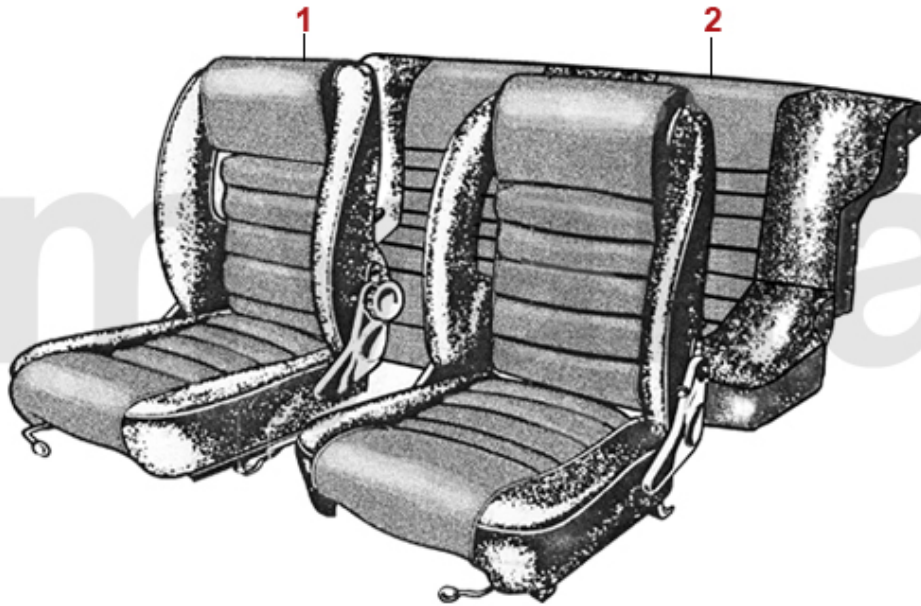


1967-69 1750 GT Veloce



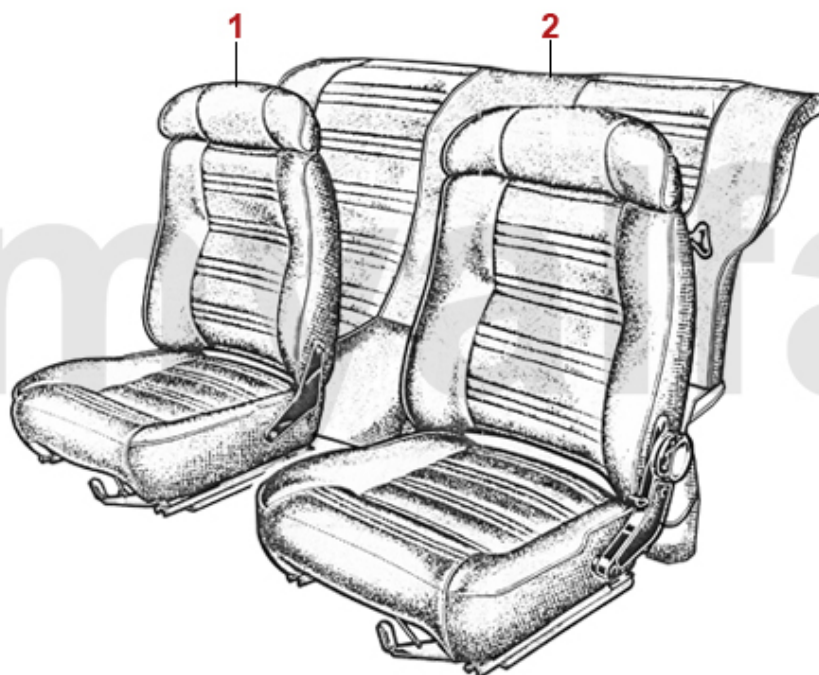
<b>1</b>	<b>1702981</b>	<b>SEAT COVER 1750 GTV 1st SERIES, VINYL SKAI BLACK, LEFT</b>	<b>SEK4,419.05</b>
<b>1</b>	<b>1702991</b>	<b>SEAT COVER 1750 GTV 1st SERIES, VINYL SKAI CINGHIALE 574, LEFT</b>	<b>SEK4,419.05</b>
<b>2</b>	<b>1702982</b>	<b>SEAT COVER GT BERTONE 1750 SERIES 1 FRONT RIGHT, VINYL SKAI BLACK</b>	<b>SEK4,419.05</b>
<b>2</b>	<b>1702992</b>	<b>SEAT COVER 1750 GTV 1st SERIES, VINYL SKAI CINGHIALE 574, RIGHT</b>	<b>SEK4,419.05</b>
<b>3</b>	<b>1703010</b>	<b>REAR SEAT COVER 1750 GTV 1st SERIES, VINYL SKAI BLACK</b>	<b>SEK7,333.91</b>
<b>3</b>	<b>1702140</b>	<b>REAR SEAT COVER 1750 GTV 1st SERIES, SCAY CINGHIALE 574/577</b>	<b>SEK7,333.91</b>

1968-75 1300 GTA Junior



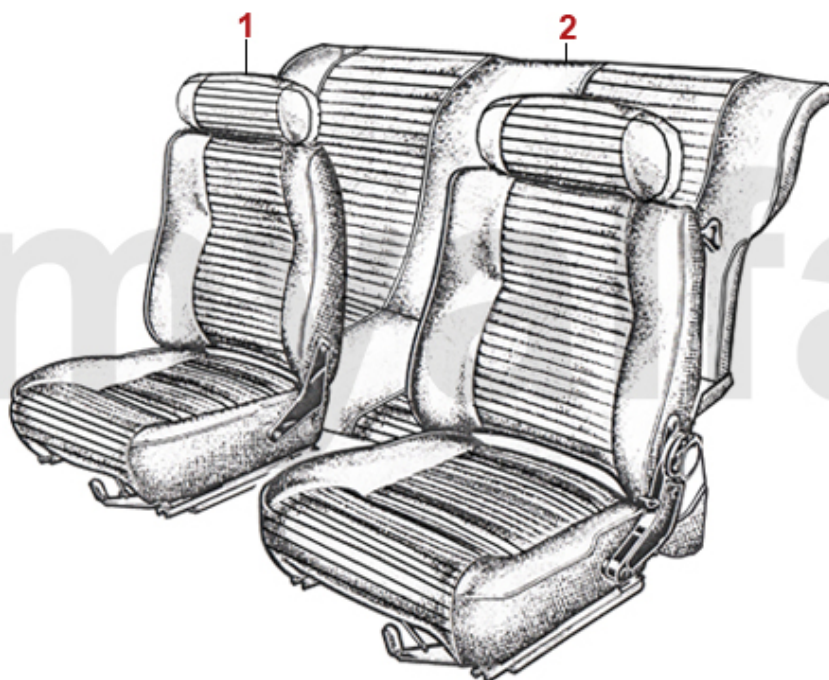
<b>1</b>	<b>1700150</b>	<b>SEAT COVER 1750 GTV 1st SERIES, VINYL SKAI BLACK, LEFT</b>	<b>SEK4,022.64</b>
<b>1</b>	<b>1700160</b>	<b>SEAT COVER 1750 GTV 1st SERIES, VINYL SKAI CINGHIALE 574, LEFT</b>	<b>SEK3,672.85</b>
<b>2</b>	<b>1700170</b>	<b>REAR SEAT COVER GTA JUNIOR, SCAY CINGHIALE 574</b>	<b>SEK6,645.99</b>
<b>2</b>	<b>1700180</b>	<b>REAR SEAT COVER 1750 GTV 1st SERIES, VINYL SKAI BLACK</b>	<b>SEK6,121.37</b>

1969-73 1750 GT Veloce



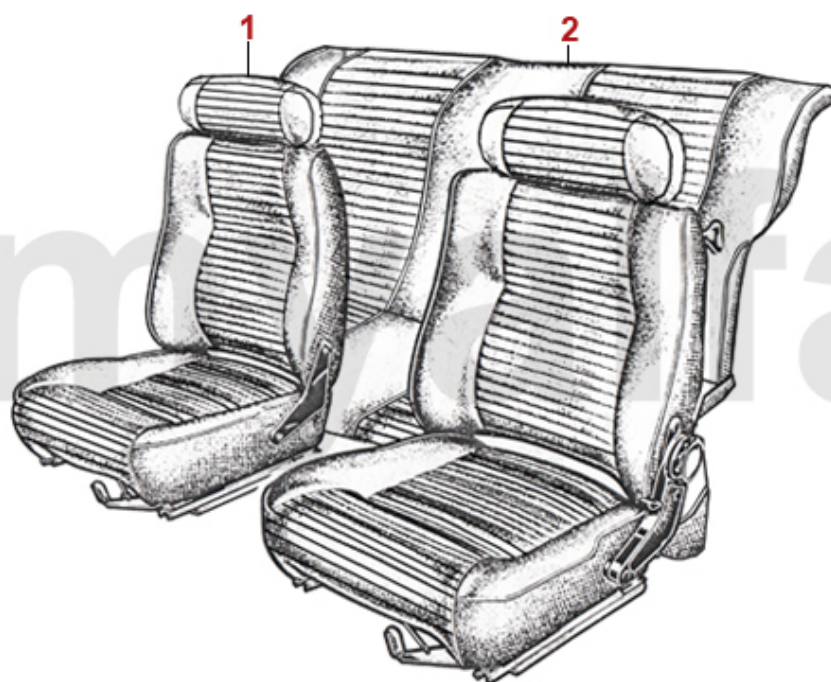
<b>1</b>	<b>1703000</b>	<b>SEAT COVER 1750 GTV 2nd SERIES, VINYL SKAI CINGHIALE 576/577</b>	<b>SEK3,136.44</b>
<b>1</b>	<b>1702990</b>	<b>SEAT COVER GT BERTONE 1750 SERIES 2 FRONT VINYL SKAI BLACK</b>	<b>SEK3,136.44</b>
<b>1</b>	<b>1704140</b>	<b>SEAT COVER 1750 2nd SERIES VINYL SKAI BLACK 572/660</b>	<b>SEK4,419.05</b>
<b>2</b>	<b>1703030</b>	<b>REAR SEAT COVER GT BERTONE 1750 SERIES 2, VINYL SKAI BROWN 574</b>	<b>SEK5,188.56</b>
<b>2</b>	<b>1703020</b>	<b>REAR SEAT COVER 1750 GTV 2nd SERIES, VINYL SKAI BLACK</b>	<b>SEK5,188.56</b>
<b>2</b>	<b>1704170</b>	<b>REAR SEAT COVER BERTONE 1750 GTV 2.SERIES, VINYL SKAI, BLACK 572/660</b>	<b>SEK7,333.91</b>

1971-76 2000 GT Veloce



1	1703040	SEAT COVER 2000 GTV, VINYL SKAI CINGHIALE 576	SEK3,486.23
1	1700700	SEAT COVER GTV 2000, VINYL SKAI BLACK	SEK3,486.23
1	1703050	SEAT COVER 2000 GTV, VINYL SKAI SAND BEIGE 575	SEK3,486.23
1	1703770	SEAT COVER 2000 GTV, SCAY/FRABRIC, BLACK/GRAY, 572/663	SEK4,372.43
1	1703780	SEAT COVER 2000 GTV, VINYL SKAI, DARK GRAY/DARK BLUE, 562/666	SEK4,372.43
1	1703790	SEAT COVER 2000 GTV, SKAY/FABRIC BLACK 572/660	SEK4,372.43
1	1703800	SEAT COVER 2000 GTV, SCAY/FABRIC, CINGHIALE/BROWN, 576/672	SEK4,372.43
1	1703860	SEAT COVER 2000 GTV, VINYL SKAI, CINGHIALE/CAFFÉ LATTE 576/676	SEK4,372.43
1	1704150	SEAT COVER BERTONE 2000 GTV / UNIFICATO, VINYL SKAI, BORDEAUX 563	SEK3,486.23
2	1703060	REAR SEAT COVER 2000 GTV, VINYL SKAI CINGHIALE 576	SEK4,885.39
2	1703070	REAR SEAT COVER 2000 GTV, VINYL SKAI SAND BEIGE 575	SEK4,885.39
2	1700760	REAR SEAT COVER 2000 GTV, VINYL SKAI BLACK	SEK4,885.39
2	1703870	REAR SEAT COVER 2000 GTV, SCAY/FABRIC, BLACK/GRAY, 572/663	SEK7,333.91
2	1703880	REAR SEAT COVER 2000 GTV, SCAY/FABRIC, DARK GRAY/DARK BLUE, 562/666	SEK7,333.91
2	1703890	REAR SEAT COVER 2000 GTV, SCAY/FABRIC BLACK 572/660	SEK7,333.91
2	1703900	REAR SEAT COVER 2000 GTV, SCAY/FABRIC, CINGHIALE, BROWN, 576/672	SEK7,333.91
2	1704160	REAR SEAT COVER 2000 GTV / UNIFICATO, VINYL SKAI, BORDEAUX 563	SEK4,885.39

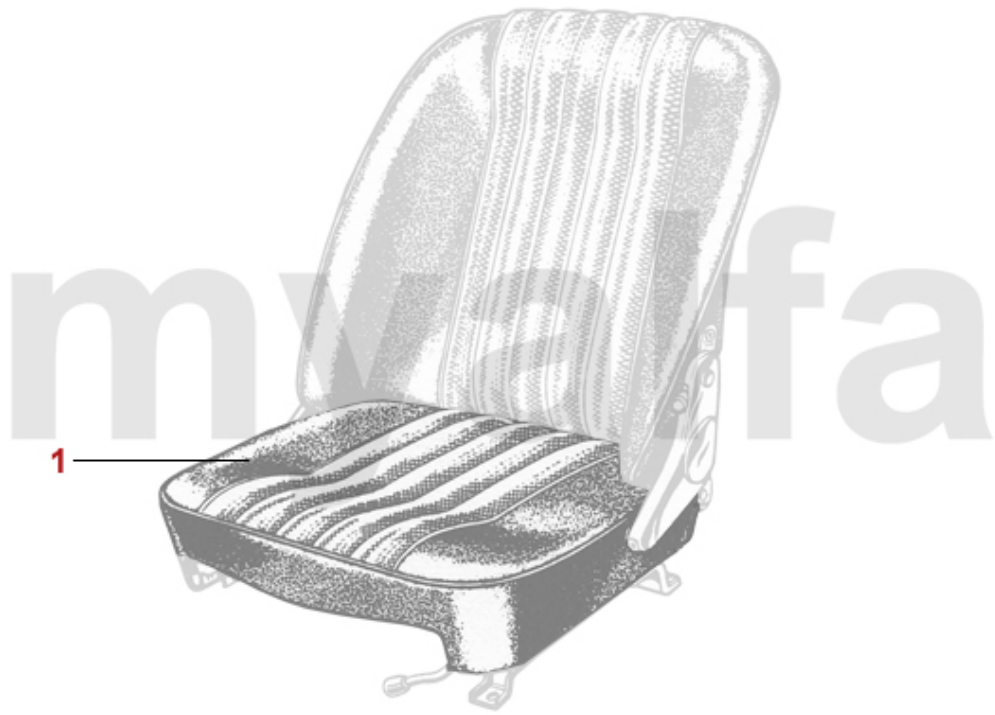
1974-76 1300-1600 GT Junior



<b>1</b>	<b>1703043</b>	<b>SEAT COVER 2000 GTV, VINYL SKAI CINGHIALE 576</b>	<b>SEK3,136.44</b>
<b>1</b>	<b>1703053</b>	<b>SEAT COVER 2000 GTV, VINYL SKAI SAND BEIGE 575</b>	<b>SEK2,471.83</b>
<b>1</b>	<b>1700703</b>	<b>SEAT COVER GTV 2000, VINYL SKAI BLACK</b>	<b>SEK3,206.37</b>
<b>2</b>	<b>1703063</b>	<b>REAR SEAT COVER 2000 GTV, VINYL SKAI CINGHIALE 576</b>	<b>SEK4,069.12</b>
<b>2</b>	<b>1703073</b>	<b>REAR SEAT COVER 2000 GTV, VINYL SKAI SAND BEIGE 575</b>	<b>SEK4,007.38</b>
<b>2</b>	<b>1700763</b>	<b>REAR SEAT COVER 2000 GTV, VINYL SKAI BLACK</b>	<b>SEK4,885.39</b>

<b>0</b>	<b>1704200</b>	<b>CRANK SEAT BACK ADJUSTER - GT BERTONE, SPIDER</b>	<b>SEK1,048.26</b>
<b>0</b>	<b>1704210</b>	<b>TILT KNOB SEAT BACK REST - GT BERTONE, SPIDER 1966 - 77</b>	<b>SEK408.06</b>

<b>1</b>	<b>1703370</b>	<b>SEAT/BACK REST FOAM SET SPRINT GT 1963-66, SPRINT GTC 1964-66</b>	<b>SEK3,066.51</b>
<b>2</b>	<b>1703390</b>	<b>SEAT PAD FOAM SPRINT GT 1963-66, SPRINT GTC 1964-66,</b>	<b>SEK1,690.67</b>



**1 1704090 SEAT PAD FOAM SPRINT GTV 1965-68**

**SEK1,690.67**



<b>1</b>	<b>1703370</b>	<b>SEAT/BACK REST FOAM SET SPRINT GT 1963-66, SPRINT GTC 1964-66</b>	<b>SEK3,066.51</b>
<b>2</b>	<b>1703390</b>	<b>SEAT PAD FOAM SPRINT GT 1963-66, SPRINT GTC 1964-66,</b>	<b>SEK1,690.67</b>

<b>1</b>	<b>1703380</b>	<b>SET SEAT PAD / BACK REST FOAM GT JUNIOR 1966-73</b>	<b>SEK3,066.51</b>
<b>2</b>	<b>1703970</b>	<b>SEAT PAD FOAM GT JUNIOR 1966-73</b>	<b>SEK1,690.67</b>



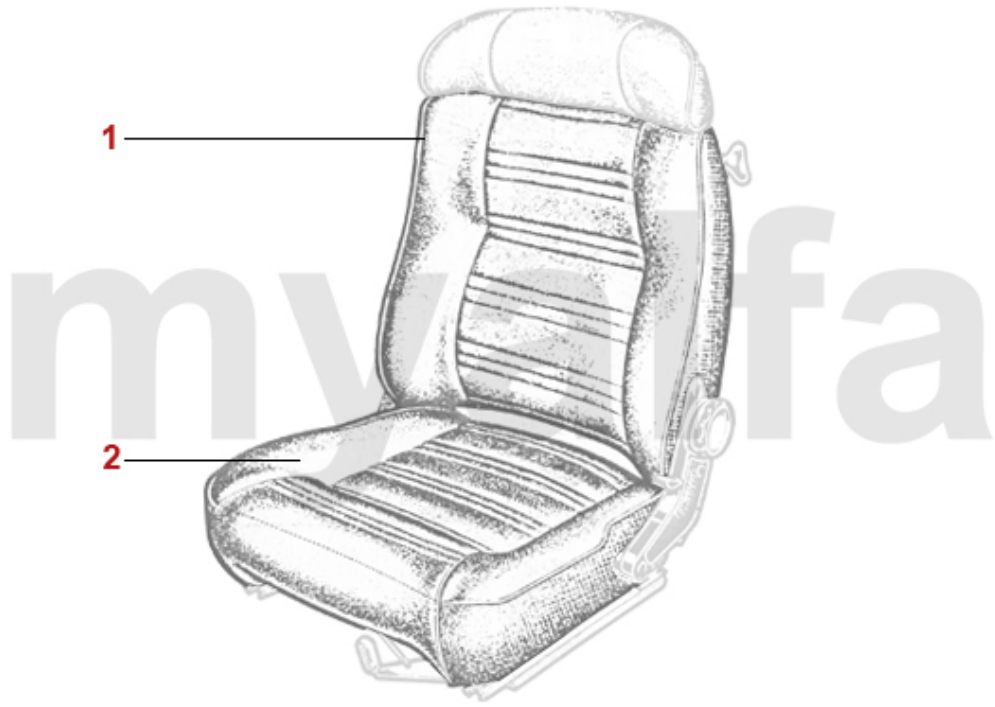
**1 1703960 SEAT PAD FOAM 1750 GTV 1967-69, GTA JUNIOR 1968-75**

**SEK1,620.74**

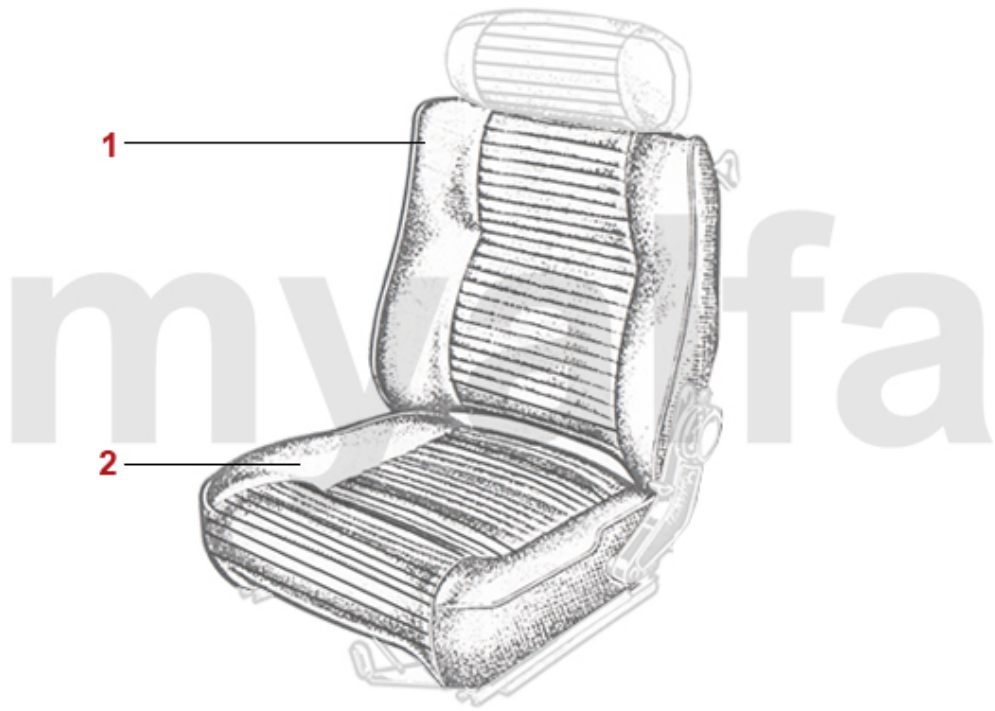


**1** 1703960 SEAT PAD FOAM 1750 GTV 1967-69, GTA JUNIOR 1968-75

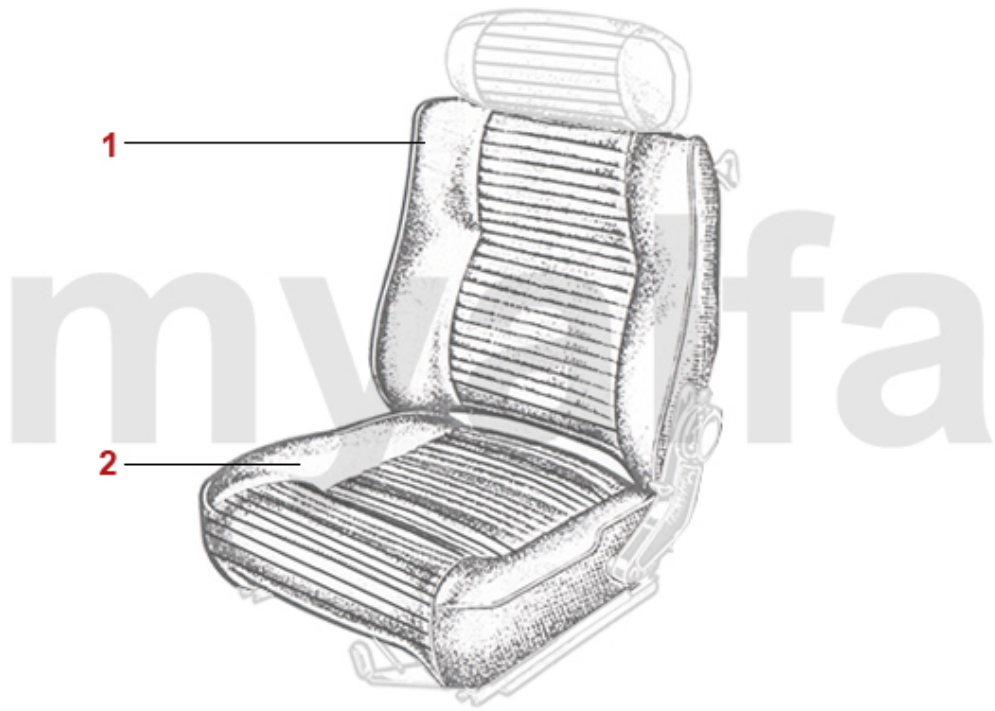
**SEK1,620.74**



<b>1</b>	<b>1703980</b>	<b>BACK REST FOAM 1750 GTV 1969-73, 2000 GTV 1971-76, GT JUNIOR 1974-76</b>	<b>SEK1,224.33</b>
<b>2</b>	<b>1703470</b>	<b>SEAT PAD FOAM 1750 GTV 1969-73, 2000 GTV 1971-76, GT JUNIOR 1974-76</b>	<b>SEK1,504.05</b>
<b>2</b>	<b>1703471</b>	<b>SEAT PAD FOAM 1750 GTV 1969-73, 2000 GTV 1971-76, GT JUNIOR 1974-76, PREMIUM QUALITY</b>	<b>SEK1,690.67</b>



<b>1</b>	<b>1703980</b>	<b>BACK REST FOAM 1750 GTV 1969-73, 2000 GTV 1971-76, GT JUNIOR 1974-76</b>	<b>SEK1,224.33</b>
<b>2</b>	<b>1703470</b>	<b>SEAT PAD FOAM 1750 GTV 1969-73, 2000 GTV 1971-76, GT JUNIOR 1974-76</b>	<b>SEK1,504.05</b>
<b>2</b>	<b>1703471</b>	<b>SEAT PAD FOAM 1750 GTV 1969-73, 2000 GTV 1971-76, GT JUNIOR 1974-76, PREMIUM QUALITY</b>	<b>SEK1,690.67</b>



<b>1</b>	<b>1703980</b>	<b>BACK REST FOAM 1750 GTV 1969-73, 2000 GTV 1971-76, GT JUNIOR 1974-76</b>	<b>SEK1,224.33</b>
<b>2</b>	<b>1703470</b>	<b>SEAT PAD FOAM 1750 GTV 1969-73, 2000 GTV 1971-76, GT JUNIOR 1974-76</b>	<b>SEK1,504.05</b>
<b>2</b>	<b>1703471</b>	<b>SEAT PAD FOAM 1750 GTV 1969-73, 2000 GTV 1971-76, GT JUNIOR 1974-76, PREMIUM QUALITY</b>	<b>SEK1,690.67</b>

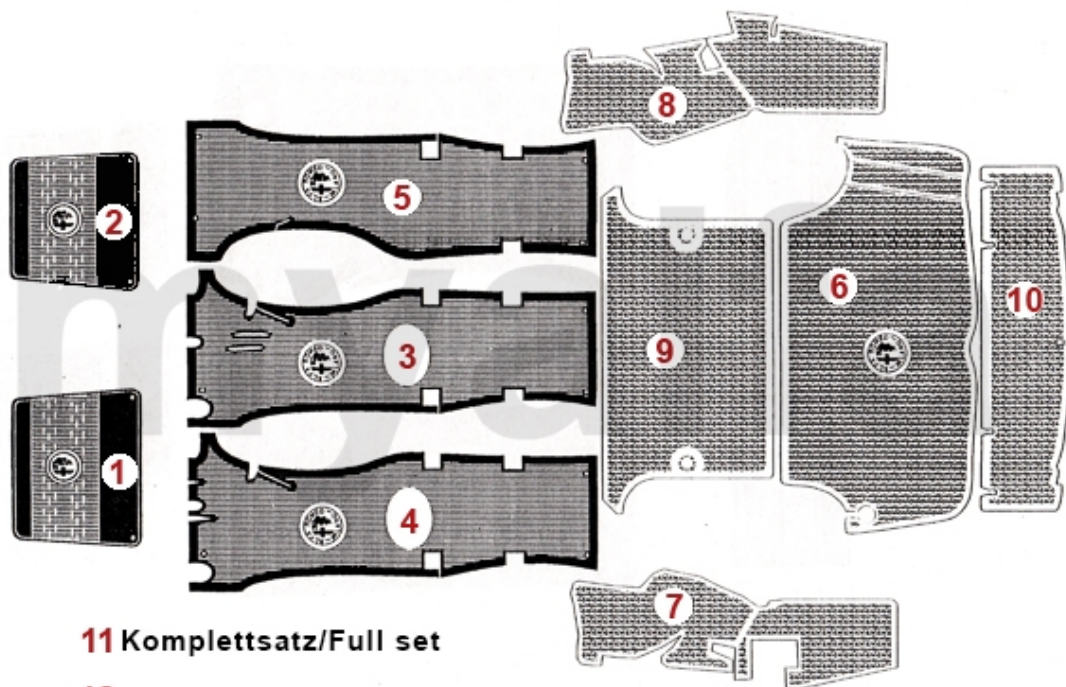
1	1740780	SET INNER DOOR TRIM PANELS GT BERTONE 1300/1600 1966-73, 1750 1st SERIES, CINGHIALE	SEK4,768.84
1	1740790	SET INNER DOOR TRIM PANELS GT BERTONE 1300/1600 1966-73, 1750 1st SERIES BLACK	SEK3,031.55
2	1740720	SET REAR SIDE TRIM PANELS GT BERTONE 1300/1600 1966-73, 1750, CINGHIALE	SEK3,486.23
2	1740730	SET REAR SIDE TRIM PANELS GT BERTONE 1300/1600 1966-73, 1750 SERIES 1 BLACK	SEK2,331.97
3	1740990	SET INNER WHEELARCH VINYL COVERS GT BERTONE VINYL BLACK	SEK559.72
3	1740994	SET INNER WHEEL ARCH VINYL COVERS GIULIA SPRINT GTA	SEK559.72
3	1740995	SET INNER WHEELARCH VINYL COVERS GT BERTONE VINYL SAND BEIGE 575	SEK559.72
3	1740993	SET INNER WHEELARCH VINYL COVERS GT BERTONE VINYL BROWN 576	SEK559.72
3	1740996	SET INNER WHEEL ARCH VINYL COVERS GT BERTONE BORDEAUX 563	SEK559.72
3	1740997	SET INNER WHEEL ARCH VINYL BERTONE GT, VINYL BROWN ORCA 463	SEK559.72
4	1765020	COVER SEAT ADJUSTMENT WHEEL SPIDER / GTV 1750 1967-69 68MM	SEK303.17
5	1763421	ARM REST LOWER SECTION GT BERTONE LEFT	SEK815.02
5	1763422	ARM REST LOWER SECTION GT BERTONE RIGHT	SEK815.02
5	1623420	CHROME TRIM FOR ARM REST GT BERTONE, GIULIA	SEK107.25



1	1743360	SET INNER DOOR TRIM PANELS GT BERTONE 1750 SERIES 2 VINYL BROWN 574	SEK4,768.84
1	1740470	SET INNER DOOR TRIM PANELS GT BERTONE 2000 BLACK	SEK3,252.99
1	1740480	SET INNER DOOR TRIM PANELS GT BERTONE 2000 SAND BEIGE	SEK4,768.84
1	1740490	SET INNER DOOR TRIM PANELS GT BERTONE 2000 BROWN 576	SEK4,768.84
1	1743340	SET INNER DOOR TRIM PANELS GT BERTONE 1750 2nd SERIES VINYL BLACK	SEK4,185.81
2	1740740	SET REAR SIDE TRIM PANELS GT BERTONE 2000 BLACK	SEK2,331.97
2	1740750	SET REAR SIDE TRIM PANELS GT BERTONE 2000 SAND BEIGE	SEK3,486.23
2	1740760	SET REAR SIDE TRIM PANELS GT BERTONE 2000, BROWN 576	SEK3,486.23
2	1743350	SET REAR SIDE TRIM PANELS GT BERTONE 1750 SERIES 2 LEFT VINYL BLACK	SEK2,670.11
2	1743370	SET REAR SIDE TRIM PANELS GT BERTONE 1750 SERIES 2 LEFT SKAY BROWN 576	SEK2,786.66
3	1740990	SET INNER WHEELARCH VINYL COVERS GT BERTONE VINYL BLACK	SEK559.72
3	1740994	SET INNER WHEEL ARCH VINYL COVERS GIULIA SPRINT GTA	SEK559.72
3	1740995	SET INNER WHEELARCH VINYL COVERS GT BERTONE VINYL SAND BEIGE 575	SEK559.72
3	1740993	SET INNER WHEELARCH VINYL COVERS GT BERTONE VINYL BROWN 576	SEK559.72
3	1740996	SET INNER WHEEL ARCH VINYL COVERS GT BERTONE BORDEAUX 563	SEK559.72
4	1765000	SET OF PLASTIC COVERS FOR SEAT ADJUSTING BERTONE GTV 2000/1300 Unificato	SEK1,620.74



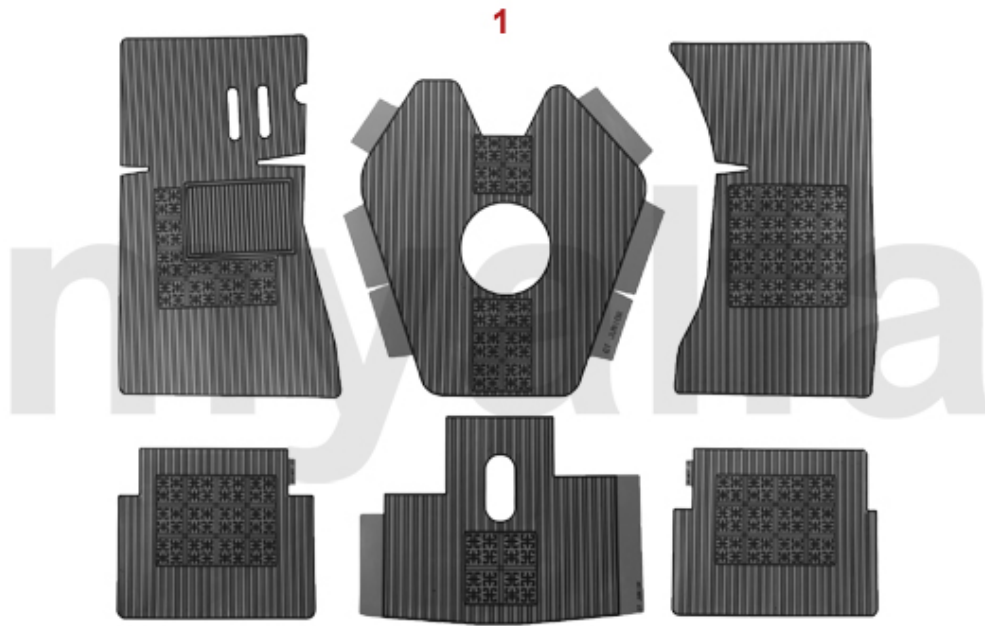
<b>1</b>	<b>1720500</b>	<b>FOOT MAT SET GT BERTONE STANDING PEDALS, BLACK, WITH RED BADGE</b>	<b>SEK757.85</b>
<b>2</b>	<b>1720501</b>	<b>FOOT MAT SET GT BERTONE STANDING PEDALS, VELOURS BLACK, EMBROIDERED BADGE</b>	<b>SEK991.09</b>
<b>3</b>	<b>1721460</b>	<b>FOOT MAT SET GT BERTONE HANGING PEDALS, BLACK, WITH RED BADGE</b>	<b>SEK693.75</b>
<b>4</b>	<b>1721463</b>	<b>FOOT MAT SET GT BERTONE HANGING PEDALS, VELOURS BLACK, EMBROIDERED BADGE</b>	<b>SEK991.09</b>



**11** Komplettsatz/Full set

**12** Kofferraumsatz/Full trunk set

<b>1</b>	<b>1791701</b>	<b>RUBBER FLOOR MAT GT BERTONE 1750/2000 LEFT</b>	<b>SEK1,037.71</b>
<b>2</b>	<b>1791702</b>	<b>RUBBER FLOOR MAT GT BERTONE 1750/2000 RIGHT</b>	<b>SEK1,037.71</b>
<b>3</b>	<b>1791721</b>	<b>RUBBER FLOOR MAT GT BERTONE LEFT STANDING PEDALS</b>	<b>SEK1,375.85</b>
<b>4</b>	<b>1791731</b>	<b>RUBBER FLOOR MAT GT BERTONE LEFT HANGING PEDALS</b>	<b>SEK1,375.85</b>
<b>5</b>	<b>1791732</b>	<b>RUBBER FLOOR MAT GT BERTONE RIGHT</b>	<b>SEK1,375.85</b>
<b>6</b>	<b>1791710</b>	<b>RUBBER MAT BOOT FLOOR PANEL GT BERTONE BLACK</b>	<b>SEK2,670.11</b>
<b>7</b>	<b>1791961</b>	<b>RUBBER MAT TRUNK GT LEFT BLACK</b>	<b>SEK2,122.04</b>
<b>8</b>	<b>1791962</b>	<b>RUBBER MAT TRUNK GT RIGHT BLACK</b>	<b>SEK2,122.04</b>
<b>9</b>	<b>1791970</b>	<b>RUBBER MAT TRUNK GIULIA / GT BERTONE FRONT BLACK</b>	<b>SEK1,853.84</b>
<b>10</b>	<b>1791980</b>	<b>RUBBER MAT REAR PANEL GT BERTONE BLACK</b>	<b>SEK1,399.16</b>
<b>11</b>	<b>1791820</b>	<b>SET RUBBER MATS GT BERTONE STANDING PEDALS BLACK 7 PIECES</b>	<b>SEK11,018.42</b>
<b>11</b>	<b>1792000</b>	<b>SET RUBBER MATS GT BERTONE HANGING PEDALS BLACK 7 PIECES</b>	<b>SEK11,018.42</b>
<b>12</b>	<b>1793730</b>	<b>SET RUBBER MATS TRUNK GT BERTONE LIGHT GRAY (GRIGIO CHIARO) 5 PIECES</b>	<b>SEK7,870.32</b>
<b>12</b>	<b>1790010</b>	<b>SET RUBBER MATS TRUNK GT BERTONE DARK GRAY (GRIGIO SCURO) 5 PIECES</b>	<b>SEK9,316.09</b>



- |          |                |  |                    |
|----------|----------------|--|--------------------|
| <b>1</b> | <b>1791100</b> | <b>RUBBER FLOORMAT SET GT BERTONESTANDING PEDALS, 1963-69<br/>RED/BLACK</b>  | <b>SEK3,019.89</b> |
| <b>1</b> | <b>1791110</b> | <b>RUBBER FLOORMAT SET GT BERTONESTANDING PEDALS, 1963-69<br/>OCRA/BLACK</b> | <b>SEK2,633.89</b> |

1	1711000	INTERIOR MAT SET GTA VINYL BLACK	SEK6,121.37
2	1713120	CARPET SET GIULIA SPRINT GTV, VELOURS LIGHT GRAY	SEK8,966.30
2	1711090	CARPET SET GT BERTONE STANDING PEDALS VELOURS BLACK	SEK2,670.11
2	1711030	CARPET SET GT BERTONE HANGING PEDALS VELOURS BLACK NO CONSOLE	SEK2,786.66
2	1711100	CARPET SET GT BERTONE HANGING PEDALS, VELOURS BLACK WITH CONSOLE	SEK2,308.66
2	1713100	CARPET SET GT BERTONE 2000 VELOURS BLACK, RHD	SEK5,480.07
2	1713123	CARPET SET GIULIA SPRINT GT/V, VELOURS BLACK, RHD	SEK5,818.20
2	1713150	CARPET SET GT BERTONE 2000 GTV 1971-76 GRANITO 809	SEK6,517.78
2	1711330	CARPET SET GT BERTONE 2000 GTV, 1971-76, VELOURS BORDEAUX	SEK8,966.30
3	1711180	BOOT CARPET SET GT BERTONE VELOURS BLACK	SEK2,157.01
3	1713130	BOOT CARPET SET GT BERTONE VELOURS LIGHT GRAY 125	SEK6,354.47
3	1713140	BOOT CARPET SET GT BERTONE 2000 GTV VELOURS BORDEAUX (172)	SEK6,354.47
4	1714000	TRANSMISSION TUNNEL MAT SET BERTONE JUNIOR, VINYL BLACK	SEK1,457.43
5	1713640	TRANSMISSION TUNNEL MAT SET GT BERTONE JUNIOR VINYL BLACK	SEK2,856.59
5	1713950	CARPET VELOURS ANTHRAXITE TRANSMISSION TUNNEL MAT GT BERTONE WITHOUT CONSOLE	SEK1,807.22
5	1713960	CARPET VELOURS BLACK TRANSMISSION TUNNEL MAT GT BERTONE WITHOUT CONSOLE	SEK1,853.84

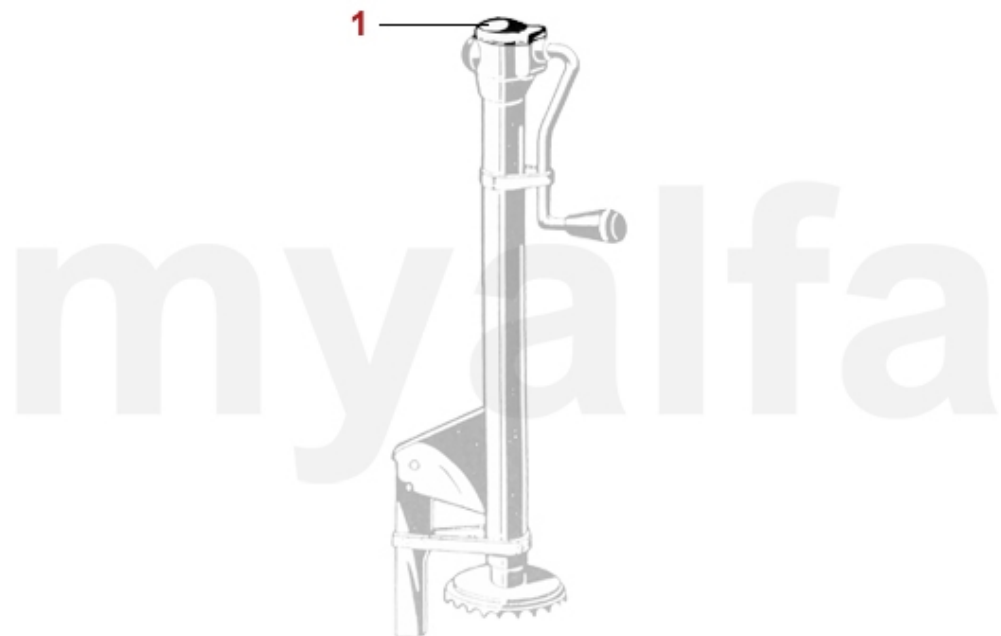
<b>0</b>	<b>9701100</b>	<b>SET OF INSULATING MATS DASHBOARD GT BERTONE</b>	<b>SEK1,737.29</b>
<b>0</b>	<b>9701150</b>	<b>SET OF INSULATING MATS GT BERTONE 1st SERIES FLAT FLOOR PANEL</b>	<b>SEK7,916.94</b>
<b>0</b>	<b>9701160</b>	<b>SET INSULATING MATS GT BERTONE 1st SERIES DEEP FLOORPANEL</b>	<b>SEK9,036.23</b>
<b>0</b>	<b>9701170</b>	<b>SET INSULATING MATS GT BERTONE 1750 2nd SERIES HANGING PEDALS</b>	<b>SEK8,453.21</b>
<b>0</b>	<b>9701180</b>	<b>SET INSULATING MATS GT BERTONE 1300/1600/2000 2nd SERIES HANGING PEDALS</b>	<b>SEK8,453.21</b>
<b>1</b>	<b>9702350</b>	<b>INSULATING MAT ORIGINAL MATERIAL 50 x 100 cm</b>	<b>SEK292.62</b>



<b>1</b>	<b>9111090</b>	<b>CAR COVER ECOLINE SPIDER 105/115 AND GT BERTONE, RED</b>	<b>SEK687.92</b>
<b>2</b>	<b>9112240</b>	<b>CAR COVER MADE TO MEASURE ALFA ROMEO GT BERTONE WITH BADGE, RED</b>	<b>SEK1,970.53</b>
<b>3</b>	<b>9111140</b>	<b>CAR COVER MADE TO MEASURE ALFA ROMEO GT BERTONE WITH LOGO, BLUE</b>	<b>SEK1,970.53</b>
<b>4</b>	<b>9112310</b>	<b>CAR COVER ALFA ROMEO GT BERTONE / SPIDER WEATHERPROOF, GREY</b>	<b>SEK1,504.05</b>

<b>1</b>	<b>9730010</b>	<b>FERTAN-CORROSION PROTECTION 30ML (43,30 EURO/100ML)</b>	<b>On request</b>
<b>2</b>	<b>9730020</b>	<b>FERTAN-CORROSION PROTECTION - 1 l</b>	<b>SEK687.92</b>
<b>3</b>	<b>9730210</b>	<b>CORROSION PROTECTION GREASE 750 g MIKE SANDER</b>	<b>SEK231.99</b>
<b>4</b>	<b>9730050</b>	<b>UNDERSEAL 1000 ml</b>	<b>On request</b>





**1 9811050 BATTAINI CAP FOR JACK TOP ALFA ROMEO 105 SERIES**

**SEK197.58**

<b>1</b>	<b>9822260</b>	<b>BATTERY CHARGER AB-4 ABSAAR</b>	<b>SEK553.89</b>
<b>2</b>	<b>9822250</b>	<b>BATTERY LIFE SAFER</b>	<b>SEK448.86</b>

<b>1</b>	<b>1590130</b>	<b>REPLACEMENTS BULBS BOX (WITH H4 BULB)</b>	<b>SEK465.23</b>
<b>1</b>	<b>1590140</b>	<b>REPLACEMENTS BULBS BOX (WITH BILUX BULB)</b>	<b>SEK465.23</b>

