

ALFA GIULIA/BERLINA

All prices including tax, delivery costs are extra

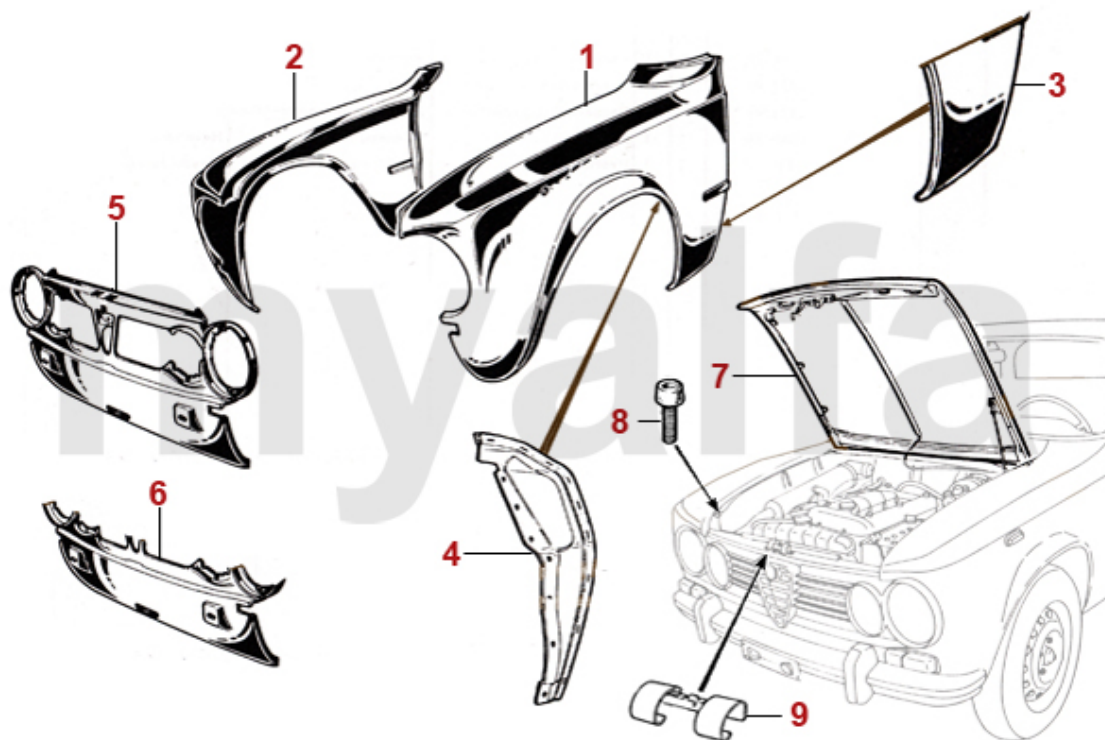
Table Of Content

BODY PARTS	6
BODY PANELS	6
FRONT	6
FRONT 2	7
ROCKER/FLOOR PANELS	8
DOOR	9
REAR	10
LIGHTING	11
HEAD LAMPS	11
INDICATORS	12
SIDE INDICATORS	13
REAR LIGHTS	14
BULBS	15
RUBBER PARTS	16
FIREWALL GROMMETS	16
SEALS FRONT/BACK	17
SEALS SIDE WINDOWS	18
TRUNK SEALS	19
CHROME PARTS	20
BUMPER/GRILLE	20
MIRRORS	21
DOOR	22
SILL	23
HUB CAPS	24
GLASS PARTS	25
WINDSCREEN	25
SIDE WINDOWS	26
SEALS FRONT/BACK	27
SEALS SIDE WINDOWS	28
DOOR MECHANIC	29
EMBLEMS	30
EMBLEMS	31
SCRIPTS	32
SCRIPTS 2	33
RIM EMBLEMS	34
TYPE PLATES 1	35
TYPE PLATES 2	36
MOTOR	37
CYLINDER HEAD	37
CYLINDER HEAD 1	37
CYLINDER HEAD 2	38
VALVE STEERING	39
VALVES	40
ENGINE BLOCK	41
ENGINE BLOCK/MOUNTS	41

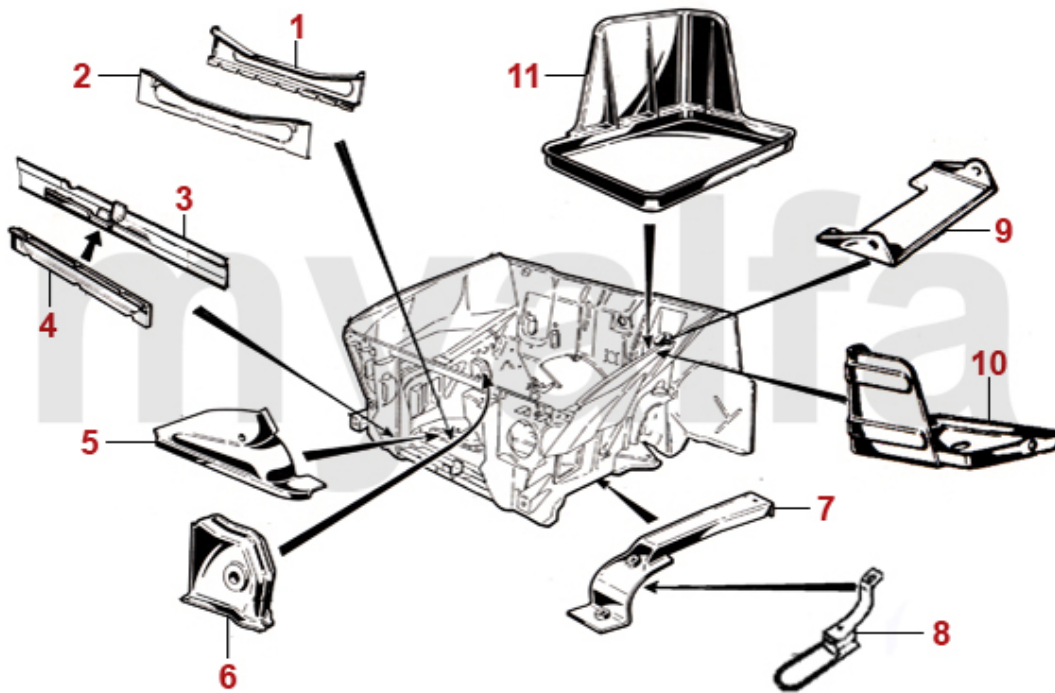
PISTON/LINER	42
CON ROD/BEARING	43
CRANKSHAFT 1	44
CRANKSHAFT 2	45
OIL PAN	46
ENGINE GASKETS	47
GASKET SETS	47
ENGINE	48
CYLINDER HEAD	49
OILPAN	50
REINZ UNIVERSAL	51
FILTER	52
AIR FILTER	52
FUEL / OILFILTERS	53
EXHAUST SYSTEM	54
MANIFOLD/MUFFLER	54
EXHAUST	55
SPORT EXHAUST	56
FUEL SYSTEM	57
FUEL TANK	57
CARBURETTOR	58
CARBURETTOR MOUNTS 40mm	58
CARBURETTOR MOUNTS 45mm	59
CARBURETTORS AND PARTS	60
GASKET SETS	61
AIR NOZZLES / MAIN JETS	62
FUEL PUMP/ HOSES	63
ELECTRIC FUEL PUMP	64
SYNCHROMETER	65
COOLING SYSTEM	66
THERMOSTATS	66
HOSES	67
RADIATOR	68
WATERPUMPS	69
HEATER/VENTILATION	70
HEATER 1st SERIES	70
HEATER 2nd SERIES	71
DRIVE TRAIN	72
CLUTCH	72
MECHANICAL	72
HYDRAULIC	73
TRANSMISSION	74
GEARBOX	74
SYNCHRO RINGS/BEARINGS	75
COUNTERSHAFT	76
MOUNTING	77
PROPSHAFT	78

REAR AXLE	79
MOUNTING/LIMITED SLIP	79
WHEEL BEARING/DIFFERENTIAL	80
BRAKES	81
FRONT BRAKE	81
BRAKE DISCS/PADS	81
REAR BRAKE	82
BRAKE DISCS/PADS	82
BRAKE HYDRAULIC	83
BRAKE MASTERCYLINDER	83
BRAKE FLUID RESERVOIR	84
BRAKE BOOSTER	85
BRAKE LINES/HOSES	86
BRAKE CALIPERS	87
HAND BRAKE	88
WHEEL SUSPENSION	89
FRONT	89
SPRINGS/SHOCKS	89
HUB/BEARING	90
ARMS/BUSHINGS	91
ANTI ROLL BAR	92
REAR	93
SPRINGS/SHOCKS	93
TRAILING ARMS/T-BAR	94
WHEEL BEARINGS / STUDS	95
WHEEL NUTS	96
WHEEL SPACERS	97
WHEELS	98
HUB CAPS	99
STEERING	100
STEERING BOX	100
TRACK RODS/ENDS	101
ELECTRIC	102
DISTRIBUTORS	102
DISTRIBUTOR PARTS MARELLI	103
DISTRIBUTOR PARTS BOSCH	104
LIGHT/INDICATOR SWITCHES	105
IGNITION SWITCHES	106
LEADS/SPARK PLUGS	107
STARTER/GENERATOR	108
BATTERY ATTACHMENTS	109
SWITCHES/SENSORS	110
PUSH/TOGGLE SWITCHES	111
INDICATOR LAMPS	112
WIRING HARNESS	113
MISCELLANEOUS	113
WIPERS	114

WIPER	114
WATER BAG	115
CABLES	116
CABLES	116
PEDALS	117
PEDALS	118
INTERIOR PARTS	119
INSTRUMENT PANEL	119
Schaltknaufe	120
SAFETY BELTS	121
STEERING WHEELS	122
LEATHER EXCLUSIVE	122
EXCLUSIVE WOODEN 1	123
EXCLUSIVE WOODEN 2	124
STEERING WHEEL NARDI	125
STEERING HUBS	126
SEAT COVERS	127
1966-72 Giulia 1300 TI	127
1969-73 Giulia Super 1,3 - 1,6	128
1974-77 Giulia Nuova	129
1968-69 Berlina 1750 1.S.	130
1969-71 Berlina 1750 2.S.	131
1971-77 Berlina 2000	132
HEADLINER/DOOR PANELS	133
FLOORING	134
RUBBER MATS	134
CARPET SET PASSENGER COMPARTMENT	135
FOOT MATS	136
TRUNK CARPET SET	137
INSULATING MATS	138
MISCELLANEOUS	139
CAR COVER	139
RUST PROTECTION	140
JACK	141
BATTERY CHARGERS	142
REPLACEMENT BULBS BOX	143
FENDER PROTECTOR	144

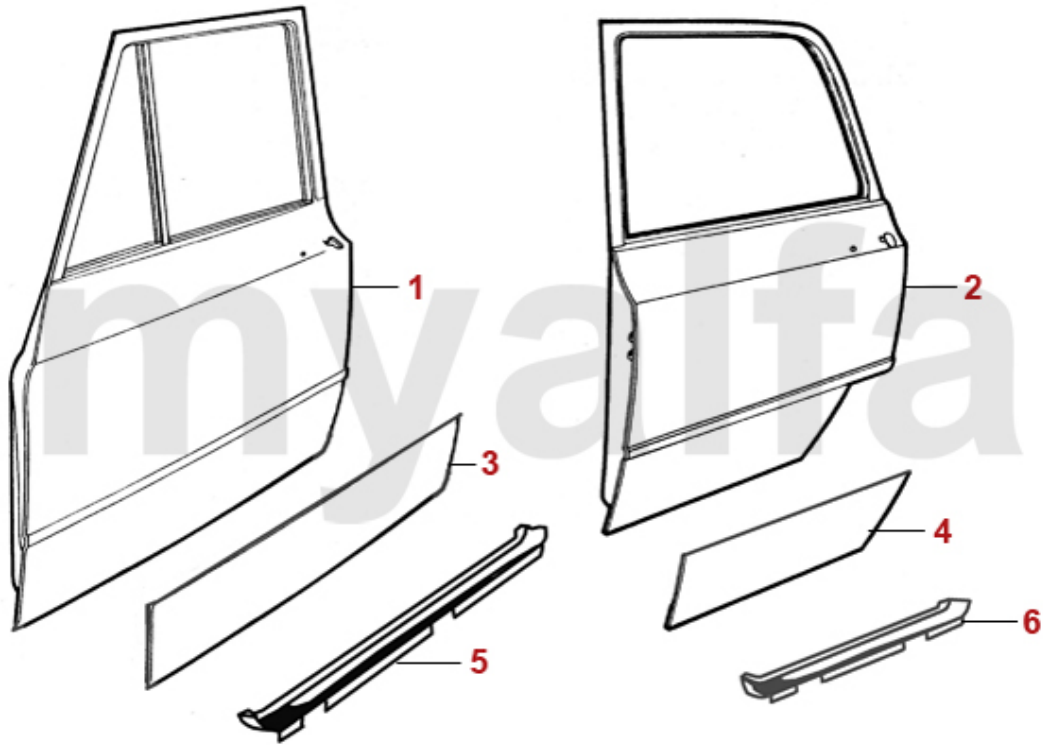


1	1120031	FRONT WING GIULIA LEFT	On request
2	1120042	FRONT WING GIULIA RIGHT	On request
3	1202681	REPAIR PANEL FRONT WING GIULIA REAR LEFT	SEK577.20
3	1202682	REPAIR PANEL FRONT WING GIULIA REAR RIGHT	SEK577.20
4	1191561	SPLASH PANEL GIULIA WITH SEAL LEFT	SEK1,107.64
4	1191562	SPLASH PANEL GIULIA WITH SEAL RIGHT	SEK1,107.64
5	1110010	FRONT PANEL GIULIA	SEK6,750.88
6	1112080	FRONT VALANCE GIULIA	SEK2,308.66
7	1131260	BONNET GIULIA	On request
7	1131270	BONNET GIULIA NUOVA	On request
8	1631580	BONNET STOP GIULIA / BERLINA (SET 2 PC)	SEK268.20
9	1191180	BONNET SPRING PLATE GIULIA	SEK408.06



1	1110590	RADIATOR CROSS-MEMBER 1963-68 REAR PART	SEK1,387.50
2	1110580	RADIATOR CROSS-MEMBER 1963-68 FRONT PART	SEK757.85
3	1112210	RADIATOR CROSS-MEMBER 1968-93 FRONT PART	SEK641.30
4	1110600	RADIATOR CROSS-MEMBER 1968-93 REAR PART	SEK757.85
5	1190661	FLITCH PANEL LEFT	SEK1,270.95
5	1190662	FLITCH PANEL RIGHT	SEK1,270.95
6	5410680	TOP SUSPENSION ARM INNER MOUNT	SEK777.69
7	1191551	FRONT ANTI-ROLL BAR MOUNTING BRACKET LEFT	SEK465.23
7	1191552	FRONT ANTI-ROLL BAR MOUNTING BRACKET RIGHT	SEK465.23
8	1311050	FRONT TOW HOOK	SEK756.74
9	1190690	BATTERY SUPPORT PANEL	SEK528.22
10	1191270	BATTERY TRAY METAL SERIES 1	SEK1,509.88
11	1190250	BATTERY TRAY PLASTIC CARBURETTOR MODELS	SEK425.55

1	1162291	FLOOR PAN FRONT LEFT - 105 FLOOR MOUNTED PEDALBOX	SEK2,203.63
1	1162011	FLOOR PAN FRONT LEFT - 105/115 TOP MOUNTED PEDALBOX	SEK2,087.08
2	1162012	FLOOR PAN FRONT RIGHT - 105/115 LHD	SEK2,087.08
3	1162381	FLOOR PAN REAR LEFT - 105/115 GIULIA 1969-78, 4 TRACK SCREWS	SEK3,019.89
4	1162382	FLOOR PAN REAR RIGHT - 105/115 GIULIA 1969-78, 4 TRACK SCREWS	SEK3,019.89
5	1162280	PEDALBOX FRAME STANDING PEDALS	SEK699.58
6	1193040	PEDAL COVER STANDING PEDALS GIULIA	SEK921.16
7	1160101	INNER SILL GIULIA LEFT	On request
7	1160102	INNER SILL GIULIA RIGHT	On request
8	1161151	MIDDLE SILL GIULIA LEFT	SEK2,203.63
8	1161152	MIDDLE SILL GIULIA RIGHT	SEK2,203.63
9	1160111	OUTER SILL GIULIA LEFT	SEK1,340.88
9	1160112	OUTER SILL GIULIA RIGHT	SEK1,340.88
10	1160811	FRONT CHASSIS LEG LEFT FROM 1970 ON, HANGING PEDALS	SEK1,690.67
10	1160812	FRONT CHASSIS LEG RIGHT	SEK1,690.67
10	1160741	FRONT CHASSIS LEG LEFT 1962-68, STANDING PEDALS MECHANICAL CLUTCH	SEK1,970.53
10	1160751	FRONT CHASSIS LEG LEFT 1968-70, STANDING PEDALS HYDRAULIC CLUTCH	SEK2,087.08
11	1160821	FRONT CHASSIS LEG INSERT 1970-93 LEFT	SEK1,298.84
11	1160822	FRONT CHASSIS LEG INSERT RIGHT	SEK1,298.84
11	1160021	FRONT CHASSIS LEG INSERT 1962-70 LEFT	SEK1,298.84
12	1191591	CROSS MEMBER FLOOR PAN LEFT	SEK1,853.84
12	1191592	CROSS MEMBER FLOOR PAN RIGHT	SEK1,853.84
13	1160770	JACKING POINT FRONT	SEK348.68
14	1160780	JACKING POINT GIULIA / SPIDER 1966-86 REAR	SEK523.50
15	1630090	FLOOR BUNG	SEK52.45
16	1372000	CLIP FOR OUTER SILL TRIM GIULIA	SEK51.34



1	1202301	FRONT DOOR SKIN GIULIA LEFT	SEK2,786.66
1	1202302	FRONT DOOR SKIN GIULIA RIGHT	SEK2,786.66
2	1202311	REAR DOOR SKIN GIULIA LEFT	SEK1,836.36
2	1202312	REAR DOOR SKIN GIULIA RIGHT	SEK1,836.36
3	1202351	REPAIR PANEL DOOR SKIN GIULIA FRONT LEFT	SEK884.95
3	1202352	REPAIR PANEL DOOR SKIN GIULIA FRONT RIGHT	SEK884.95
4	1202361	REPAIR PANEL DOOR SKIN GIULIA REAR LEFT	SEK687.92
4	1202362	REPAIR PANEL DOOR SKIN GIULIA REAR RIGHT	SEK687.92
5	1202331	REPAIR PANEL DOOR BOTTOM GIULIA FRONT LEFT	SEK1,574.12
5	1202332	REPAIR PANEL DOOR BOTTOM GIULIA FRONT RIGHT	SEK1,574.12
6	1202341	REPAIR PANEL DOOR BOTTOM GIULIA REAR LEFT	SEK1,836.36
6	1202342	REPAIR PANEL DOOR BOTTOM GIULIA REAR RIGHT	SEK1,836.36

1	1140051	REAR WING GIULIA LEFT	On request
2	1140062	REAR WING GIULIA RIGHT	On request
3	1171830	FUEL FILLER FLAP GIULIA / GT BERTONE	SEK1,270.95
4	1143190	FRAME FOR FUEL FILLER FLAP GIULIA, GT BERTONE, BERLINA JUNIOR ZAGATO	SEK757.85
5	1200141	REPAIR PANEL REAR WHEEL ARCH FRONT LEFT GIULIA	SEK309.00
5	1200142	REPAIR PANEL REAR WHEEL ARCH FRONT RIGHT GIULIA	SEK309.00
6	1200151	REPAIR PANEL WHEEL ARCH GIULIA GIULIA LEFT	SEK378.93
6	1200152	REPAIR PANEL WHEEL ARCH GIULIA RIGHT	SEK378.93
6	1200102	REPAIR PANEL WHEEL ARCH GIULIA RIGHT HIGH QUALITY	SEK1,270.95
6	1200101	REPAIR PANEL WHEEL ARCH GIULIA LEFT HIGH QUALITY	SEK1,270.95
7	1200161	REPAIR PANEL REAR WING GIULIA REAR LEFT	SEK348.68
7	1200162	REPAIR PANEL REAR WING GIULIA REAR RIGHT	SEK348.68
7	1200111	REPAIR PANEL REAR WING GIULIA REAR LEFT HIGH QUALITY	SEK1,387.50
7	1200112	REPAIR PANEL REAR WING GIULIA REAR RIGHT HIGH QUALITY	SEK1,387.50
8	1150070	REAR PANEL GIULIA	SEK5,818.20
9	1161060	BOOT FLOOR PANEL GIULIA	SEK4,838.77
10	1160180	SPARE WHEEL WELL HIGH QUALITY	SEK1,515.71
11	1192231	PANEL REAR WING TO BOOT FLOOR PANEL GIULIA LEFT	SEK1,544.98
11	1192232	PANEL REAR WING TO BOOT FLOOR PANEL GIULIA RIGHT	SEK1,544.98
12	1191691	REBOUND STRAP MOUNT REPAIR PANEL LEFT	SEK612.17
12	1191692	REBOUND STRAP MOUNT REPAIR PANEL RIGHT	SEK612.17
13	1310060	TOW HOOK GIULIA / GT BERTONE / SPIDER REAR	SEK687.92
14	1164230	EXHAUST MOUNT FOR TRUNK FLOOR	SEK221.58
15	1164240	STRENGTHENING PLATE FOR TRUNKFLOOR	SEK571.37
16	1192440	TRUNK SPRING (SET) GIULIA	SEK571.37
17	1171320	FUEL FILLER FLAP RIVET GIULIA / GT BERTONE	SEK57.17
18	1171330	FUEL FILLER FLAP SPRING GIULIA / GT BERTONE	SEK54.25

1	1510180	HEADLIGHT H4 7" (170mm) CARELLO CLAMP MOUNTING	SEK815.02
1	1510190	HEADLIGHT CARELLO H4 7" (170mm) CLAMP MOUNTING "LEFT HAND TRAFFIC"	SEK594.68
1	1511940	HEADLIGHT DESIGN CARELLO H4 7" (170mm) "LEFT HAND TRAFFIC" 3-LATCHES MOUNTING	SEK581.78
1	1510350	HEADLIGHT DESIGN CARELLO H4 7" (170mm) 3-LATCHES MOUNTING	SEK419.72
1	1511200	HEADLIGHT CARELLO H4 7" (170mm) 3-LATCHES MOUNTING	SEK454.68
1	1511180	HEADLIGHT BILUX 7" (170mm) CARELLO CLAMP MOUNTING	SEK1,154.26
1	1511190	HEADLIGHT CARELLO BILUX 7" (170mm) 3-LATCHES MOUNTING	SEK1,154.26
2	1510202	INNER HEADLIGHT CARELLO GIULIA SUPER RIGHT	SEK546.81
2	1510201	INNER HEADLIGHT CARELLO GIULIA SUPER LEFT	SEK546.81
3	1510031	HEADLIGHT H1 5 3/4" (136mm) GIULIA NUOVA LEFT LOW BEAM	SEK804.47
3	1510032	HEADLIGHT H1 5 3/4" (136mm) GIULIA NUOVA RIGHT LOW BEAM	SEK804.47
4	1510072	INNER HEADLIGHT CARELLO GIULIA NUOVA RIGHT	SEK804.47
4	1510071	INNER HEADLIGHT CARELLO GIULIA NUOVA LEFT	SEK804.47
5	1580720	HEADLIGHT SEAL 7" GIULIA, GT BERTONE, BERLINA 1750	SEK185.37
6	1581991	HEADLIGHT MOUNT 5 3/4" GIULIA LEFT	On request
6	1581992	HEADLIGHT MOUNT 5 3/4" GIULIA RIGHT/GT BERTONE	SEK605.09
7	1580730	HEADLIGHT SEAL 5 3/4" GIULIA, GT BERTONE, BERLINA	SEK138.75
8	1580710	RUBBER SEAL (SET) BODY/HEADLIGHT BOWL 7"	SEK641.30
9	1581410	HEADLIGHT ADJUSTER SCREW	SEK57.17
10	1330040	HEADLIGHT RING SET GIULIA 1300 / TI	SEK2,214.17
11	1330050	HEADLIGHT RING (SET) GIULIA SUPER	SEK10,377.11
12	1330060	HEADLIGHT RING GIULIA NUOVA	SEK320.65
13	1630130	GROMMET FOR CABLE HEADLIGHT INSET (SET) 105/115	SEK443.03

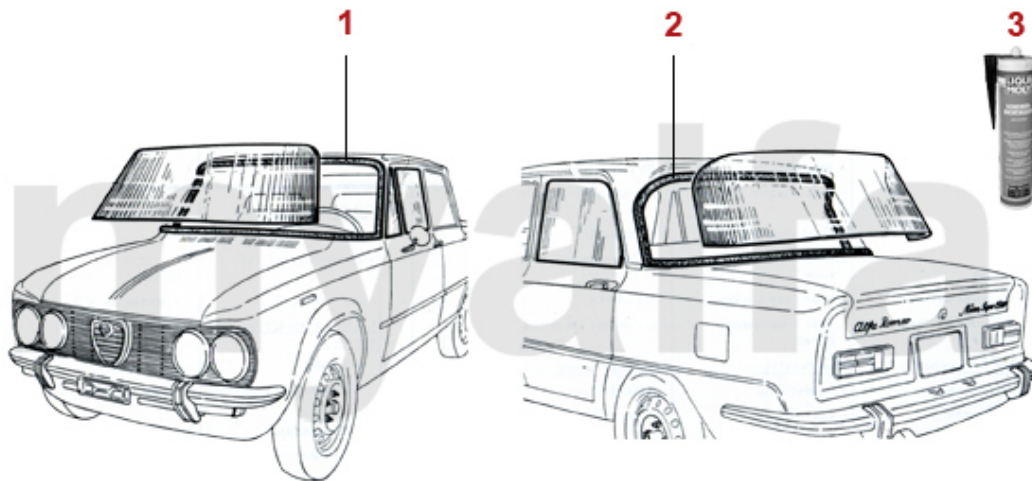
1	1541471	INDICATOR GIULIA 1962-73 ORANGE/WHITE , FRONT LEFT CARELLO, CHROME DIVIDER	SEK1,572.87
1	1541472	INDICATOR GIULIA 1962-73 ORANGE/WHITE , FRONT RIGHT CARELLO, CHROME DIVIDER	SEK1,572.87
1	1541491	INDICATOR GIULIA 1962-73 WHITE/WHITE , FRONT LEFT ALTISSIMO, CHROME DIVIDER	SEK1,620.74
1	1541492	INDICATOR GIULIA 1962-73 WHITE/WHITE , FRONT RIGHT ALTISSIMO, CHROME DIVIDER	SEK1,620.74
1	1541481	INDICATOR GIULIA 1962-73 ORANGE/WHITE , FRONT LEFT ALTISSIMO, CHROME DIVIDER	SEK1,620.74
1	1541482	INDICATOR GIULIA 1962-73 ORANGE/WHITE , FRONT RIGHT ALTISSIMO, CHROME DIVIDER	SEK1,620.74
1	1541511	INDICATOR GIULIA 1962-73 WHITE/WHITE, FRONT LEFT CARELLO, CHROME DIVIDER	SEK1,572.87
1	1541512	INDICATOR GIULIA 1962-73 WHITE/WHITE, FRONT RIGHT CARELLO, CHROME DIVIDER	SEK1,572.87
2	1581540	SIDELIGHT LENSE GIULIA 1962-73 ALTISSIMO WITH CHROME DIVIDER	SEK162.06
2	1581520	SIDELIGHT LENSE GIULIA 1962-73 CARELLO WITH CHROME DIVIDER	SEK208.68
3	1581530	INDICATOR LENSE GIULIA 1962-73 ORANGE ALTISSIMO WITH CHROME DIVIDER	SEK162.06
3	1581510	INDICATOR LENSE GIULIA 1962-73 ORANGE CARELLO CHROME DIVIDER	SEK208.68
3	1581580	INDICATOR LENSE GIULIA 1962-73 WHITE CARELLO CHROME DIVIDER	SEK220.34
4	1591760	SCREW SET (3 Stk.) INDICATOR PARKING LIGHT - GIULIA SUPER	SEK60.63
5	1590190	INDICATOR GLASS SEAL GIULIA FOR INDICATOR 2-PART GLASS	SEK81.03
6	1590181	CAP BEHIND INDICATOR GIULIA 2-PART GLASS, LEFT	SEK185.37
6	1590182	CAP BEHIND INDICATOR GIULIA 2-PART GLASS RIGHT	SEK185.37
7	1581551	INDICATOR LENSE GIULIA 1962-73 ORANGE/WHITE FRONT LEFT ALTISSIMO	SEK682.10
7	1581552	INDICATOR LENSE GIULIA 1962-73 ORANGE/WHITE FRONT RIGHT ALTISSIMO	SEK682.10
8	1591610	SCREW SET INDICATOR LENSE GIULIA FRONT LENSE IN 1 PIECE	SEK46.07
9	1540090	INDICATOR GIULIA NUOVA SUPER FRONT	SEK998.03
10	1580100	INDICATOR LENSE GIULIA NUOVA SUPER FRONT	SEK227.41

1	1550820	SET INDICATOR REPEATERS GIULIA Ti / SUPER, LONG CHROME	SEK3,486.23
2	1551570	INDICATOR REPEATOR CHROMED PLASTIC FRAME ORANGE	SEK454.68
2	1551580	INDICATOR REPEATOR CHROMED PLASTIC FRAME WHITE	On request
3	1550330	INDICATOR REPEATOR GIULIA / GT BERTONE ELONGATED	SEK353.26
4	1591260	CHROME FRAME INDICATOR REPEATOR GIULIA / GT BERTONE	SEK285.69
5	1590200	SET RUBBER SLEEVES FOR SIDE INDICATOR	SEK208.68

1	1530131	REAR LIGHT GIULIA LEFT CARELLO CAST VERSION Bj.1963-69	SEK3,369.68
1	1530130	SET REAR LIGHTS (2PC) GIULIA CARELLO, CAST VERSION 1963-69	On request
2	1580150	REAR LIGHT LENSE GIULIA CARELLO RIDGED STYLE VERSION	SEK1,160.09
2	1581130	REAR LIGHT LENSE GIULIA ALTISSIMO RIDGED STYLE VERSION	SEK1,270.95
3	1592000	SET REARLIGHT / BODY SEALS GIULIA RIDGED STYLE	SEK443.03
4	1531591	REAR LIGHT GIULIA, GIULIA NUOVA LEFT VERSION ALTISSIMO LARGE STYLE	SEK2,203.63
4	1531592	REAR LIGHT GIULIA, GIULIA NUOVA RIGHT ALTISSIMO LARGE STYLE	SEK2,203.63
5	1580161	REAR LIGHT LENSE GIULIA LARGE STYLE LEFT	SEK1,037.71
5	1580162	REAR LIGHT LENSE GIULIA LARGE STYLE RIGHT	SEK1,037.71
6	1592010	SET REARLIGHT / BODY SEALS GIULIA CARELLO LARGE STYLE	SEK500.19
6	1590040	SET REAR LIGHT SEALS GIULIA ALTISSIMO LARGE VERSION	SEK373.10
7	1591620	SCREW SET REAR LIGHT LENSE GIULIA	SEK92.13
8	1560740	LICENSE PLATE LIGHT CARELLO STYLE WIDE CUTOUT - 105 1.Series	SEK1,164.81
9	1560170	NUMBER PLATE LIGHT 1970-82 V2A "POLISHED"	SEK453.57
10	1590170	RUBBER SEAL FOR NUMBER PLATE LAMP	SEK69.38

1	1590940	BULB 12 V / H4	SEK71.18
1	1591450	BULB HIGH POWER H4 100/90 W	SEK145.69
1	1591460	BULB HIGH POWER H4 BILUX socket	SEK103.79
2	1590950	BULB 12 V / BILUX	SEK37.32
3	1590930	BULB 12 V / H1	SEK71.18
4	1590960	BULB 12 V / 21W	SEK12.21
5	1591000	BULB 12 V / 21/5W	SEK11.66
6	1591380	BULB 12V/21W yellow coloured	SEK39.68
7	1590700	FESTOON BULB 12 V / 5 W	SEK18.59
8	1590980	BULB 12 V / 5W	SEK17.48
9	1590970	BULB 12 V / 4W	SEK11.66
10	1590990	BULB 12 V / 2 W FOR WARNING LIGHTS	SEK25.67

1	1631640	GROMMET STEERING COLUMN VERSION 1	SEK378.93
2	1631420	GROMMET STEERING COLUMN VERSION 2	SEK378.93
2	1630040	GROMMET STEERING COLUMN VERSION 3	SEK378.93
3	1631070	GROMMET FOR THROTTLE LINKAGE	SEK279.86
4	1631400	GROMMET WIRING LOOM OVAL FOR THE FOLLOWING ALFA ROMEO MODELS: ::: - 105 / 115 ::: - 106 ::: 105.00.50.260.01 / 105005026001 ::: 105.00.50.260.02 / 105005026002 ::: 60515973 :::	SEK137.64
4	1631540	CLAMP FOR BULKHEAD GROMMET OVAL WIRING HARNESS	SEK460.51
5	1631550	GROMMET BRAKE LINES	SEK33.86
6	1631410	GROMMET HEATER HOSE	SEK80.48
7	1631390	GROMMET SCUTTLE DRAIN SERIES 2	SEK54.81
7	1631380	SET RUBBER GROMMETS FOR WATER DRAIN SERIES 1	SEK170.25
8	1631670	GROMMET HAND THROTTLE / CHOKE SPEEDOMETER CABLE GT BERTONE / SPIDER 1963-69	SEK204.10
9	1631660	GROMMET SPEEDOMETER CABLE GIULIA SERIES 1 / GT BERTONE 1300-1750 / SPIDER 1966-69	SEK158.59
10	1631290	GROMMET FOR HEATER HOSE AND CABLES	SEK150.41
11	1621690	BONNET TO SCUTTLE PANEL SEAL GIULIA, BERLINA	SEK466.34
12	1191500	SCUTTLE DRAIN HOSE GRAY	SEK231.99
13	1631060	RUBBER SEAL FOR BOOT LID LOCK GIULIA	SEK80.48
14	2580160	FUEL FILLER NECK SEAL GIULIA / GT BERTONE	SEK860.53
15	1171310	FUEL FILLER FLAP FRAME GIULIA / GT BERTONE	SEK149.30
16	1171320	FUEL FILLER FLAP RIVET GIULIA / GT BERTONE	SEK57.17
17	1171330	FUEL FILLER FLAP SPRING GIULIA / GT BERTONE	SEK54.25
18	1171280	FUEL FILLER FLAP BUFFER (SET) GIULIA / GT BERTONE	SEK110.72



1	1610010	FRONT SCREEN RUBBER SEAL GIULIA / BERLINA	SEK931.57
2	1610020	REAR SCREEN RUBBER SEAL GIULIA	SEK931.57
3	9700070	WINDOW SEALANT 310 ml	SEK256.55

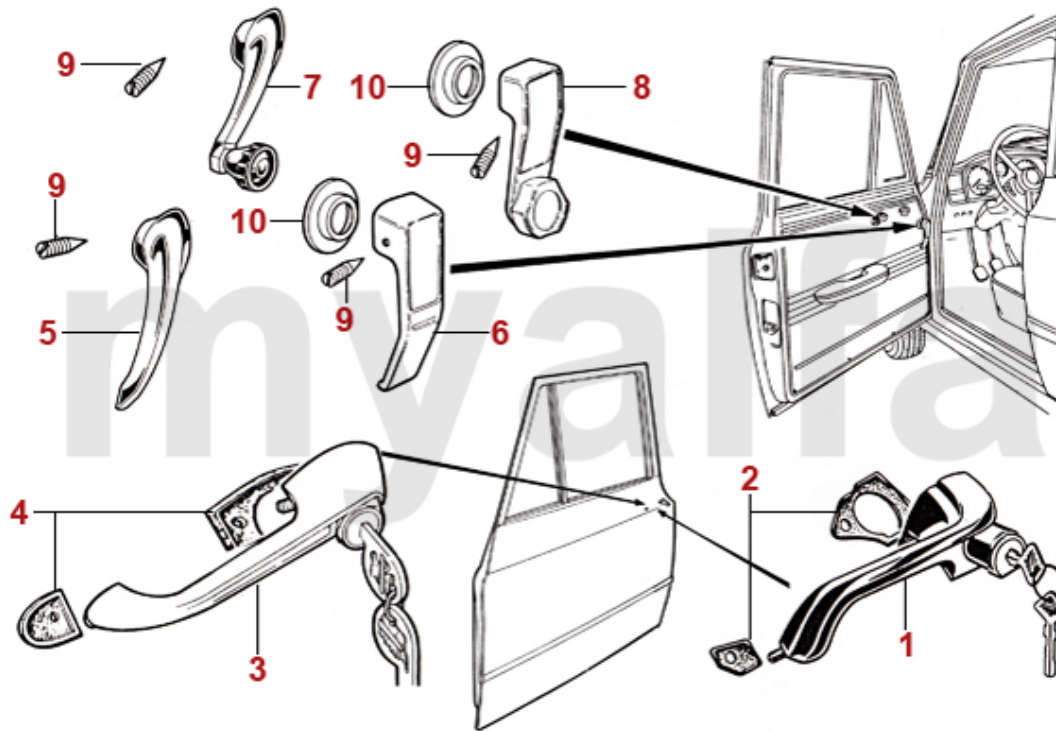
1	1620820	DOOR SEAL GIULIA ON THE BODY WITHOUT VELOUR FRONT / REAR	SEK425.55
1	1621140	DOOR RUBBER SEAL ON BODY GIULIA WITH VELOUR FRONT	SEK535.16
1	1622000	DOOR RUBBER SEAL ON BODY BERLINA WITHOUT VELOUR FRONT/REAR	SEK454.68
1	1622010	DOOR RUBBER SEAL ON BODY BERLINA WITH VELOUR FRONT/REAR	SEK571.37
2	1621150	DOOR RUBBER SEAL GIULIA ON BODY WITH VELOUR REAR	SEK520.04
3	1630930	B-POST VERTICAL SEAL SET GIULIA	SEK437.20
4	1620040	DOOR SEAL GIULIA FITS ON DOOR FRONT / REAR	SEK465.23
5	1610870	DOOR GLASS CHANNEL FELT GIULIA REAR	SEK132.92
5	1610860	DOOR GLASS CHANNEL FELT GIULIA FRONT	SEK132.92
6	1610840	HORIZONTAL WEATHERSTRIP GIULIA 100 cm	SEK173.72
7	1610880	SET QUARTERLIGHT SEALS GIULIA	SEK2,973.27
8	9700070	WINDOW SEALANT 310 ml	SEK256.55
9	1620850	UPPER CORNER PIECE FOR DOOR SEAL ON FRAME SIDE	SEK208.13

1	2580160	FUEL FILLER NECK SEAL GIULIA / GT BERTONE	SEK860.53
2	1620070	BOOT LID SEAL GIULIA 4-teilig	SEK581.78
2	1620030	BOOT LID SEAL BERLINA	SEK699.58
3	1631060	RUBBER SEAL FOR BOOT LID LOCK GIULIA	SEK80.48
4	1171280	FUEL FILLER FLAP BUFFER (SET) GIULIA / GT BERTONE	SEK110.72
5	9700070	WINDOW SEALANT 310 ml	SEK256.55
6	1171310	FUEL FILLER FLAP FRAME GIULIA / GT BERTONE	SEK149.30

1	1310830	BUMPER GIULIA 1962-69 FRONT	On request
2	1310010	BUMPER GIULIA 1969-73 FRONT	SEK6,984.12
3	1310020	BUMPER GIULIA 1974-77 FRONT	On request
4	1371380	OVER RIDER RUBBER GIULIA / GT BERTONE	SEK337.02
5	1371370	SET OF RUBBER BASES OVER RIDERS GIULIA / GT BERTONE / BERLINA	SEK115.44
6	1310840	BUMPER GIULIA 1962-69 REAR	On request
6	1310030	BUMPER GIULIA 1969-73 REAR	On request
7	1310040	BUMPER GIULIA 1974-77 REAR	On request
8	1320140	FRONT GRILLE GIULIA TI 4 HEADLIGHTS STAINLESS STEEL	SEK12,813.98
8	1320141	FRONT GRILLE GIULIA TI 2 HEADLIGHTS STAINLESS STEEL RACING	On request
9	1320860	FRONT GRILLE SET GIULIA SUPER 5 CHROME RIPS	On request
10	1330050	HEADLIGHT RING (SET) GIULIA SUPER	SEK10,377.11
11	1320850	CENTRE HEART 1300 - 1600 GIULIA (V2A)	SEK2,308.66
11	1321640	FRONT GRILLE GIULIA 1300 STAINLESS STEEL, 1 PIECE	On request
12	1320092	FRONT GRILLE GIULIA 1300 RIGHT 3 CHROME TRIMS	On request
13	1320081	FRONT GRILLE GIULIA 1300 LEFT 3 CHROME TRIMS	On request
14	1330040	HEADLIGHT RING SET GIULIA 1300 / TI	SEK2,214.17
15	1320100	CENTRE HEART GIULIA NUOVA	SEK2,903.21
16	1320010	FRONT GRILLE GIULIA NUOVA (SET)	On request
17	1330060	HEADLIGHT RING GIULIA NUOVA	SEK320.65
18	1370300	CLIP FOR FIXING SCREWS FRONT GRILLE GIULIA / GT BERTONE	SEK22.76
19	1331380	REAR NUMBER PLATE FRAME GIULIA /GT BERTONE, STAINLESS STEEL	SEK348.68
20	1320120	HOOD TRIM GIULIA SUPER	SEK1,958.87
21	1331300	BONNET TRIM GIULIA NUOVA MADE IN ITALY	SEK1,970.53



1	1401450	DOOR MIRROR CHROME ROUND CLAMP FITTING	SEK804.47
2	1401470	DOOR MIRROR CHROME ROUND SPIDER 1966-69,GT BERTONE 1st SERIES WITHOUT ALFA EMBLEM WITH RUBBER PAD	SEK1,270.95
3	1400170	DOOR MIRROR CHROME ROUND ALFA BADGE INCLUDING RUBBER PAD	SEK571.37
4	1400730	DOOR MIRROR CHROME OVAL Alfa BADGE INCLUDING RUBBER PAD	SEK571.37
5	1631700	RUBBER PAD ROUND DOOR MIRROR	SEK73.40
6	1631430	RUBBER PAD OVAL DOOR MIRROR	SEK73.40

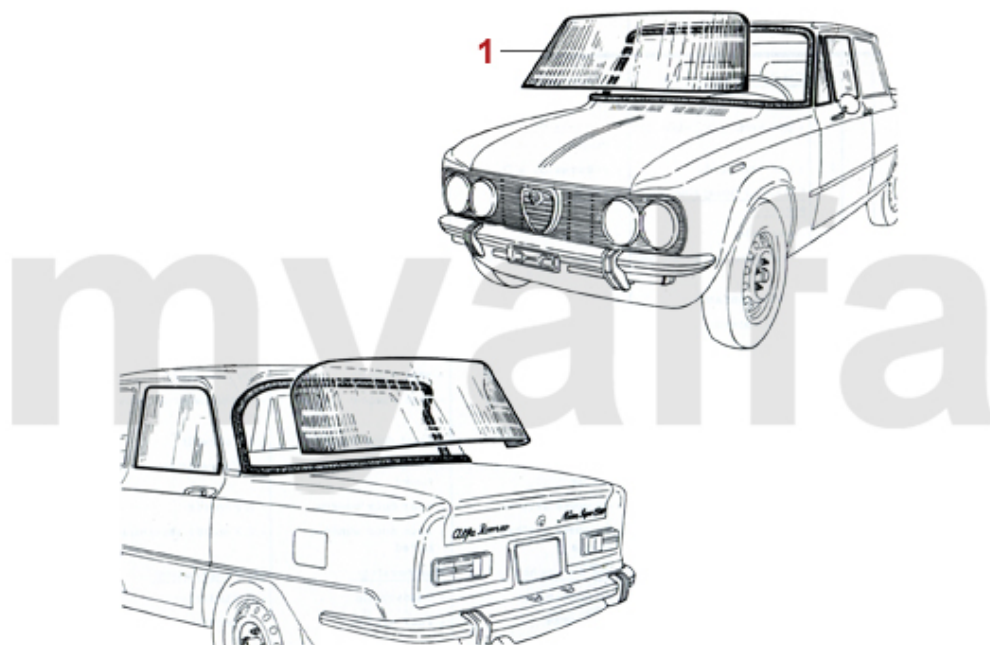


1	1170050	SET OUTER DOOR HANDLES GIULIA 1962-69 FRONT AND REAR	On request
2	1631000	SET OUTER DOOR HANDLE RUBBER GIULIA 1962-69	SEK338.13
3	1170060	SET OUTER DOOR HANDLES GIULIA 1969-77 FRONT/REAR	On request
4	1631020	SET OUTER DOOR HANDLE RUBBER GIULIA 1969-77	SEK338.13
5	1761140	INNER DOOR HANDLE GIULIA 1963-69, BERTONE GTA	SEK348.68
6	1760500	INNER DOOR HANDLE 1974-89	SEK437.20
7	1761130	WINDOW WINDER HANDLE GIULIA, GT BERTONE SERIES 1	SEK378.93
8	1760530	WINDOW WINDER HANDLE 1974-89	SEK496.73
9	1761370	GRUB SCREW INNER DOOR HANDLE / WINDOW WINDER HANDLE	SEK46.62
10	1761040	PLASTIC BACKING INNER DOOR HANDLE / WINDOW WINDER HANDLE 1974-93 BLACK	SEK32.61
11	1331500	TRIM FOR OUTER SILL GIULIA 105/115	On request
12	1760601	QUARTERLIGHT LEVER GIULIA / SPIDER LEFT	SEK687.92
12	1760602	QUARTERLIGHT LEVER GIULIA / SPIDER RIGHT	SEK687.92

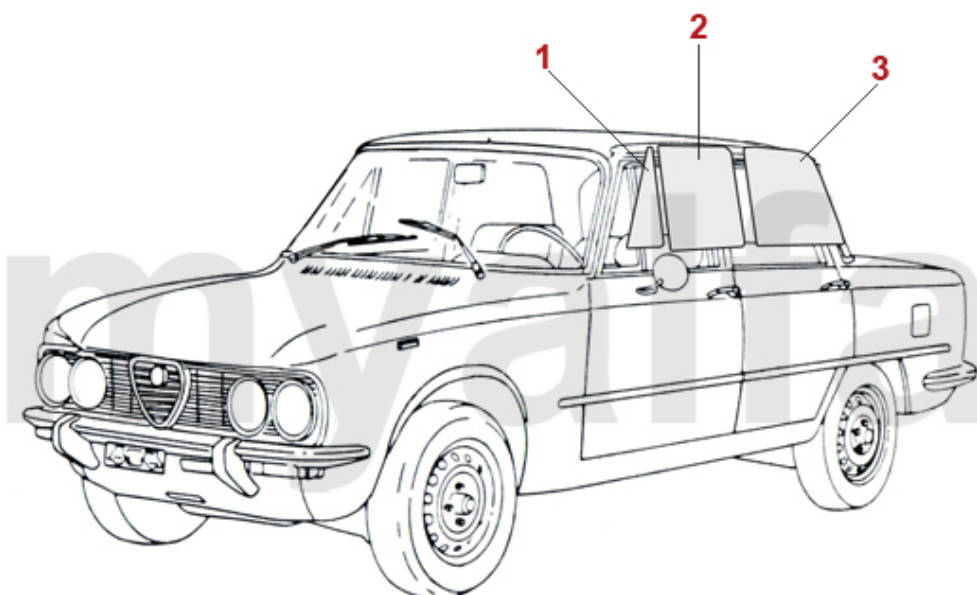
1	1331501	TRIM FOR OUTER SILL GIULIA LEFT 105/115	SEK2,740.04
1	1331502	OUTER SILL TRIM RIGHT GIULIA 105/115	SEK2,740.04



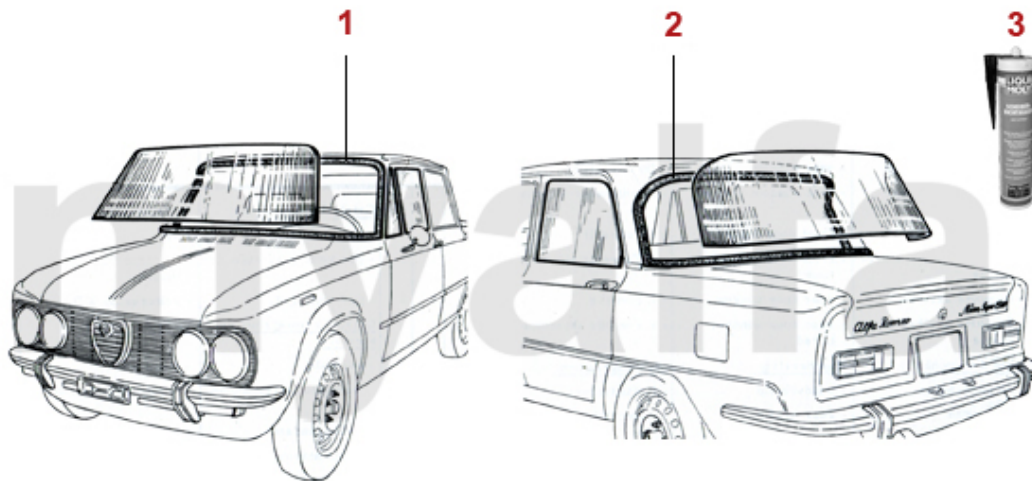
1	5731090	HUBCAP SERIES 1 EMBOSSED BADGE	SEK1,037.71
2	5731100	HUBCAP SERIES 1 SMALL CIRCLE (PUSH ON)	SEK804.47
3	5730190	HUBCAP SERIES 1 LARGE RING	SEK571.37
4	5731180	HUBCAP SERIES 2 EMBOSSED BADGE "POLISHED"	SEK454.68
5	5730200	HUBCAP SERIES 2 WITH CENTRE BADGE "POLISHED"	SEK571.37
6	5730300	HUBCAP RETAINING CLIP	SEK54.81



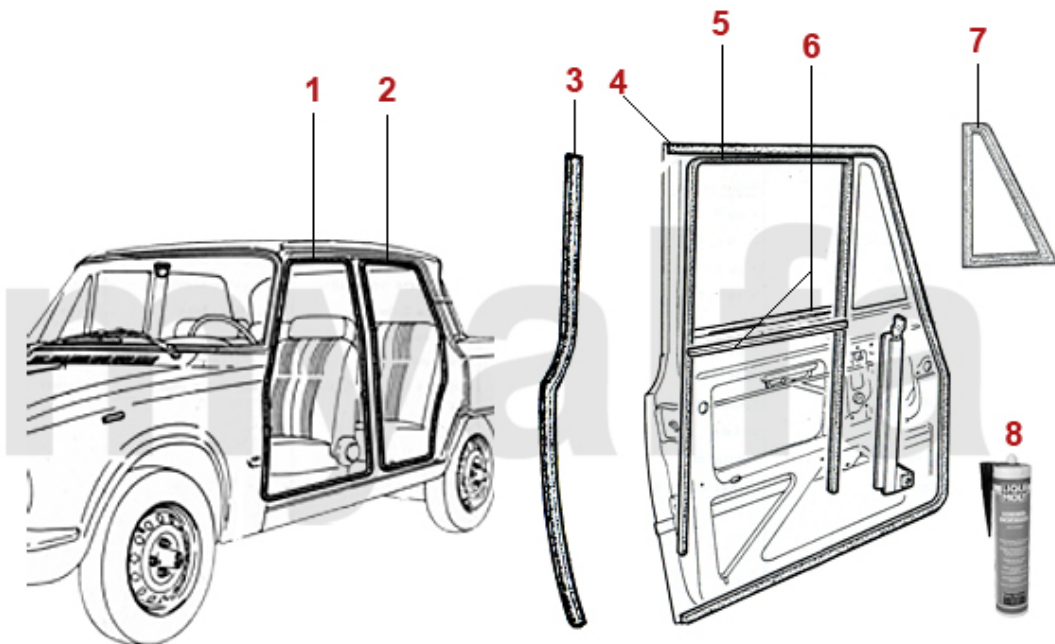
1	1340330	FRONT SCREEN GIULIA / BERLINA GREEN	SEK3,648.29
1	1340340	FRONT SCREEN GIULIA / BERLINA GREEN WITH DARK GREEN TOP	SEK3,952.57
1	1340230	FRONT SCREEN GIULIA / BERLINA CLEAR	SEK3,486.23



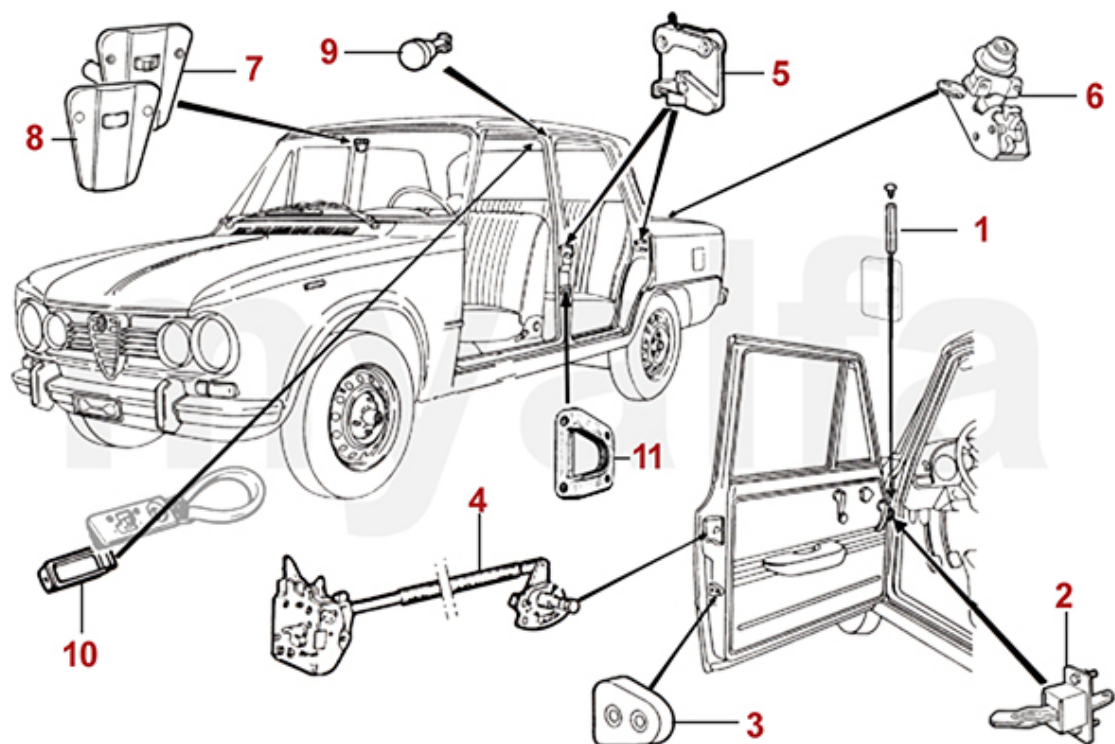
1	1340450	QUARTERLIGHT GIULIA / BERLINA LEFT/RIGHT CLEAR	SEK483.82
1	1340420	REAR SIDE WINDOW GIULIA / BERLINA LEFT/RIGHT GREEN	SEK698.47
2	1340432	DOOR WINDOW GIULIA / BERLINA FRONT RIGHT GREEN	SEK757.85
2	1340462	DOOR WINDOW GIULIA / BERLINA FRONT RIGHT CLEAR	SEK752.03
2	1340431	DOOR WINDOW GIULIA / BERLINA FRONT LEFT GREEN	SEK757.85
2	1340461	DOOR WINDOW GIULIA / BERLINA FRONT LEFT CLEAR	SEK752.03
3	1340471	DOOR WINDOW GIULIA REAR LEFT CLEAR	SEK833.61
3	1340442	DOOR WINDOW GIULIA REAR RIGHT GREEN	SEK873.29
3	1340472	DOOR WINDOW GIULIA REAR RIGHT CLEAR	SEK833.61
3	1340441	DOOR WINDOW GIULIA REAR LEFT GREEN	SEK873.29



1	1610010	FRONT SCREEN RUBBER SEAL GIULIA / BERLINA	SEK931.57
2	1610020	REAR SCREEN RUBBER SEAL GIULIA	SEK931.57
3	9700070	WINDOW SEALANT 310 ml	SEK256.55



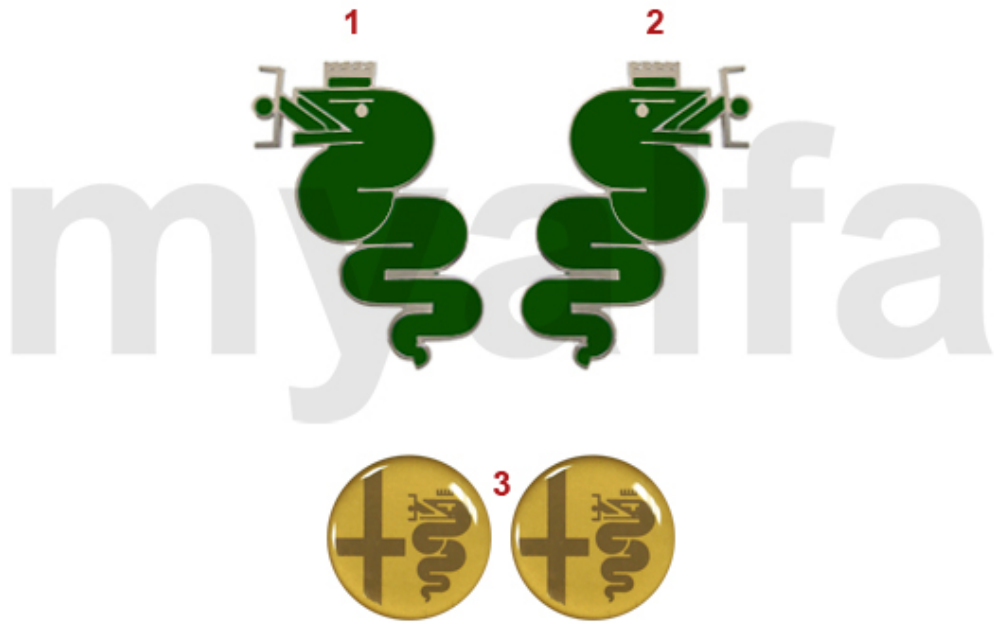
1	1620820	DOOR SEAL GIULIA ON THE BODY WITHOUT VELOUR FRONT / REAR	SEK425.55
1	1621140	DOOR RUBBER SEAL ON BODY GIULIA WITH VELOUR FRONT	SEK535.16
2	1621150	DOOR RUBBER SEAL GIULIA ON BODY WITH VELOUR REAR	SEK520.04
3	1630930	B-POST VERTICAL SEAL SET GIULIA	SEK437.20
4	1620040	DOOR SEAL GIULIA FITS ON DOOR FRONT / REAR	SEK465.23
5	1610870	DOOR GLASS CHANNEL FELT GIULIA REAR	SEK132.92
5	1610860	DOOR GLASS CHANNEL FELT GIULIA FRONT	SEK132.92
6	1610200	HORIZONTAL WINDOW FELT 100 cm	SEK184.26
6	1610840	HORIZONTAL WEATHERSTRIP GIULIA 100 cm	SEK173.72
7	1610880	SET QUARTERLIGHT SEALS GIULIA	SEK2,973.27
8	9700070	WINDOW SEALANT 310 ml	SEK256.55



1	1190370	DOOR HINGE SPLIT PIN GIULIA	SEK53.00
2	1190450	DOOR CHECK STRAP GIULIA	SEK832.50
3	1190400	DOOR BUFFER DOOR GIULIA / GT BERTONE	SEK173.72
4	1170231	OE. 105005507906 DOOR LOCK GIULIA FRONT LEFT SYSTEM SAFE	SEK904.79
4	1170232	DOOR LOCK GIULIA FRONT RIGHT SYSTEM SAFE	On request
5	1170211	LOCK STRIKER GIULIA LEFT KEIPER	SEK571.37
5	1170212	LOCK STRIKER GIULIA RIGHT KEIPER	SEK571.37
5	1170141	LOCK STRIKER GIULIA / GT BERTONE LEFT SAFE	SEK641.30
5	1170142	LOCK STRIKER GIULIA / GT BERTONE RIGHT SAFE	SEK641.30
6	1171210	BOOT LID LOCK GIULIA 1974-77	On request
6	1171200	BOOT LID LOCK GIULIA 1962-73	On request
7	8411360	INTERIOR LIGHT SWITCH GIULIA / BERLINA	On request
8	8411690	CHROME COVER INTERIOR LIGHT SWITCH GIULIA / BERLINA	SEK227.41
9	8411350	COURTESY LIGHT SWITCH (SET) GIULIA / BERLINA	SEK184.26
10	1571620	SET INTERIOR LENSES SERIES 2 GIULIA/GT BERTONE/BERLINA	SEK394.05
11	1190700	DOOR BUFFER CATCH B-PILLAR GT AND GIULIA 1971 ONWARDS	SEK262.38



1	1360030	BADGE 55mm "ALFA ROMEO MILANO" ENAMEL	SEK465.78
2	1360020	BADGE 55 mm Alfa Romeo MILANO	SEK349.23
3	1360010	BADGE 55 mm Alfa Romeo	SEK349.23
4	1370460	CLIP FOR BADGE Alfa Romeo 1962-82	SEK14.01



1	1360281	BADGE SNAKE GIULIA SERIES 1 C-POST LEFT	SEK699.58
2	1360282	BADGE SNAKE GIULIA SERIES 1 C-POST RIGHT	SEK699.58
3	1360680	SET EMBLEMS "BOLLINO D'ORO" GIULIA C-PILLAR	SEK437.20
4	1360700	BADGE MOUNTING PLATE (SET) 105 Giulia Super "BOLINO D'ORO"	SEK921.16

1	1360990	SCRIPT "ALFA ROMEO GIULIA 1300 TI"	SEK4,139.19
2	1360350	SCRIPT "alfa-romeo" GIULIA 1300	SEK454.68
3	1360720	SCRIPT "Giulia-1300-TI" FOR DASHBOARD	SEK687.92
4	1360370	SCRIPT "GIULIA TI"	SEK641.30
5	1360260	SCRIPT "giulia super"	SEK670.44
6	1360240	SCRIPT "1,6" Giulia REAR	SEK338.13
7	1360230	SCRIPT "1,3" GIULIA REAR	SEK338.13
8	1360220	SCRIPT "1600" GIULIA	SEK437.20
9	1360100	SCRIPT "Alfa Romeo" GIULIA, SPIDER 1966-69	SEK1,504.05

¹ *Giulia Super*
myalfa
² ALFA ROMEO
GIULIA SUPER TI

1 1360270 SCRIPT "Giulia Super"

SEK991.09

2 1361000 LETTERING FOR GIULIA ALFA ROMEO GIULIA SUPER TI

SEK4,139.19

1	1362410	BADGE ALUMINIUM WHEEL SILVER / BLACK BACKGROUND 48 mm	SEK92.13
2	1360500	BADGE ALUMINIUM WHEEL BLACK / SILVER BACKGROUND 48 mm	SEK92.13
3	1360600	BADGE HUBCAP SERIES 2	SEK220.34
3	1740380	LOCK WASHER FOR PLASTIC EMBLEM 1360600	SEK10.41
4	1360510	CIRCLIP BADGE ALUMINIUM WHEEL 48 mm	SEK43.15

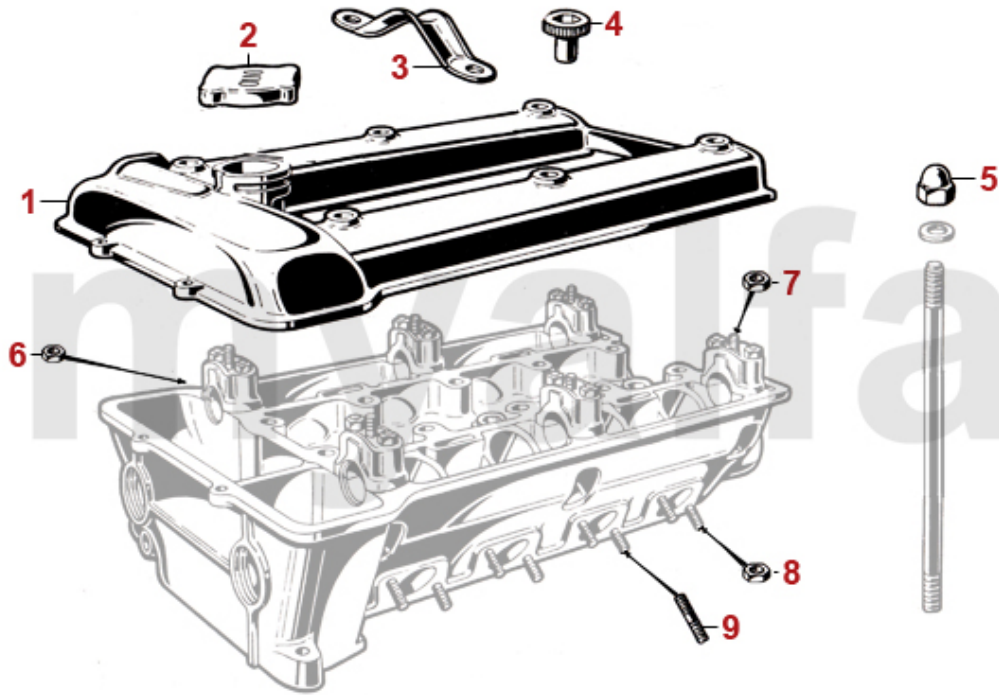


1	9300360	BODY TYPE PLATE 105.06, GIULIA 1300	SEK250.72
2	9300490	BODY TYPE PLATE 105.26, GIULIA SUPER	SEK250.72
3	9300630	BODY TYPE PLATE 105.12, BERLINA 2000	SEK250.72
4	9300640	BODY TYPE PLATE 105.08, GIULIA TI	SEK250.72
5	9300660	BODY TYPE PLATE 105.39, GIULIA 1300 TI 1965-72	SEK262.38
6	9300670	BODY TYPE PLATE 105.14, GIULIA TI	SEK250.72
7	9300680	BODY TYPE PLATE 105.16, GIULIA TI SUPER 1600 1968-72	SEK250.72



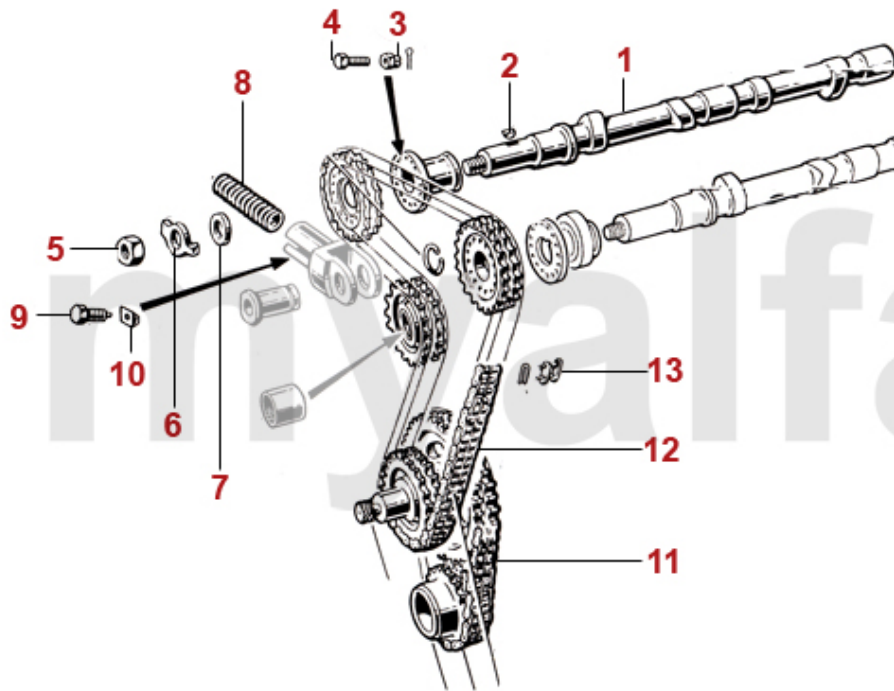
1 9300580 BODY VIN PLATE (BLANK)

SEK250.72



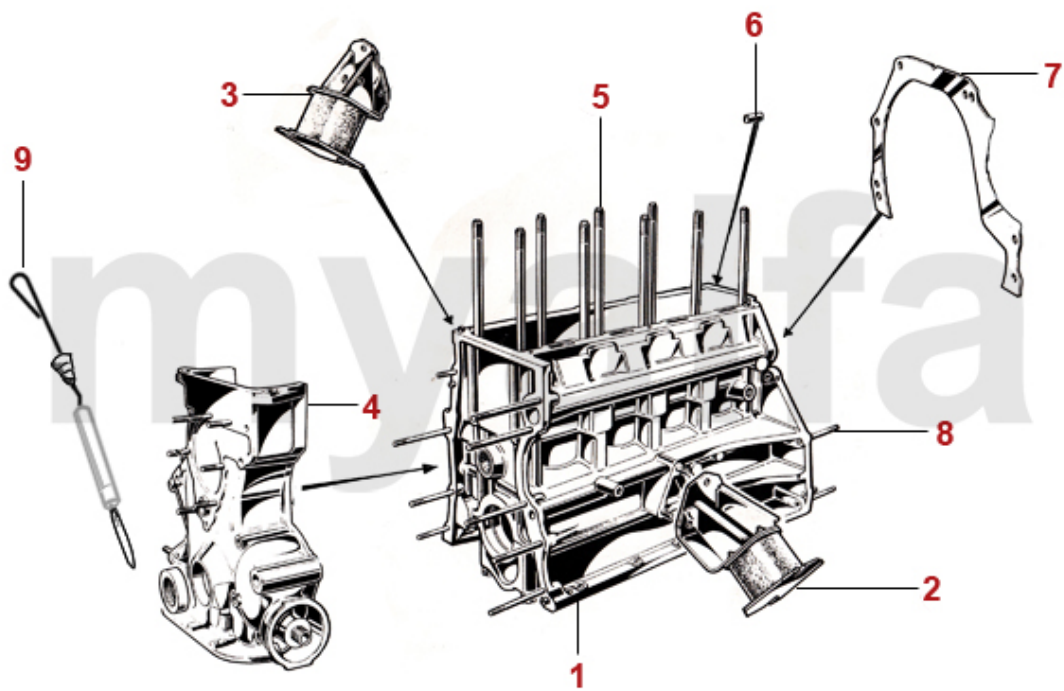
1	2122070	CAM COVER BLACK EPOXY COATED EXCHANGE	On request
2	2280570	OIL FILLER CAP Metall	SEK156.23
2	2281410	OIL FILLER CAP METAL CHROMED	SEK285.69
3	2281890	CYLINDER HEAD EXTRACTOR BRACKET 101/105/75	SEK173.72
4	2281150	CAM COVER SCREW 1959-70 HEXAGON SOCKET 14 mm	SEK150.41
4	2284760	CAM COVER SCREW WRENCH SIZE 17	SEK75.76
5	2282450	NUT CYLINDER HEAD (SET) WRENCH SIZE 17 mm	SEK158.59
5	2282460	NUT CYLINDER HEAD CHROMED WRENCH SIZE 19 mm	SEK150.41
5	2281520	CAM COVER SCREW HEXAGON SOCKET 6 mm	SEK69.93
5	2282480	NUT CYLINDER HEAD CHROMED WRENCH SIZE 17 mm	SEK150.41
6	2281270	STEEL NUT INTAKE MANIFOLD M 8 x 1 WRENCH SIZE 12 mm	SEK10.55
7	2282620	STEEL NUT M8x1 WRENCH SIZE 13mm	SEK10.55
8	2282610	COPPER NUT M 8 x 1 WRENCH SIZE 12mm EXHAUST MANIFOLD	SEK11.10
8	2281280	BRASS NUT EXHAUST MANIFOLD M 8 x 1 WRENCH SIZE 13 mm	SEK26.78
9	2280930	STUD CYLINDER HEAD / EXHAUST MANIFOLD	SEK26.78

1	2230370	VALVE SEAT EXHAUST 1300 OVERSIZE 0.10	SEK208.68
1	2232670	VALVE SEAT EXHAUST 1600/1750 OVERSIZE 0.10	SEK220.34
1	2232680	VALVE SEAT EXHAUST 2000 OVERSIZE 0.10	SEK208.68
2	2232660	VALVE SEAT INTAKE 2000 OVERSIZE 0.10	SEK227.41
2	2230340	VALVE SEAT INTAKE 1300 OVERSIZE 0.10	SEK181.90
2	2232650	VALVE SEAT INTAKE 1600/1750 OVERSIZE 0.10	SEK208.68
3	2230420	VALVE GUIDE EXHAUST STANDARD 9 x 14,05 x 54	SEK127.10
3	2231620	VALVE GUIDE EXHAUST OVERSIZE 0.10 9 x 14,10 x 54	SEK173.72
3	2231630	VALVE GUIDE EXHAUST OVERSIZE 0.20 9 x 14,15 x 54	On request
4	2230400	VALVE GUIDE INTAKE STANDARD 9 x 14,05 x 51	SEK122.38
4	2231600	VALVE GUIDE INTAKE OVERSIZE 0.10 9 x 14,10 x 51	SEK162.06
4	2231610	VALVE GUIDE INTAKE OVERSIZE 0.20 9 x 14,15 x 51	SEK162.06
5	2332550	VALVE SEAL REINZ	SEK57.17
6	2280920	STUD CYLINDER HEAD - INTAKE MANIFOLD	SEK31.50



1	2222850	CAMSHAFT 1750/2000 105.48.03.200.01	SEK3,486.23
2	2281370	WEDGE CAMSHAFT	SEK80.48
3	2280990	NUT SAFETY SCREW CAMSHAFT	SEK11.66
4	2280980	SAFETY SCREW CAMSHAFT	SEK40.79
5	2421210	NUT TIMING CHAIN SPROCKET	SEK25.67
6	2281230	TAB WASHER CAMSHAFT	SEK29.14
7	2421220	WASHER TIMING CHAIN SPROCKET	On request
8	2421200	CHAIN TENSIONER SPRING	SEK86.30
9	2421010	CHAIN TENSIONER SCREW	SEK80.48
10	2421000	CHAIN TENSIONER LOCKING BLOCK	SEK64.10
11	2410470	BOTTOM TIMING CHAIN 1300-2000 WITHOUT LINK	SEK320.65
11	2410470I	TIMING CHAIN IWIS 1300-2000 SHORT ENDLESS	SEK553.89
12	2412490I	TIMING CHAIN IWIS 1600 LONG WITH LINK	SEK931.57
12	2410460I	TIMING CHAIN IWIS 1750-2000 WITH LINK	SEK1,037.71
12	2412490	TOP TIMING CHAIN 1600 WITH LINK	SEK496.73
12	2410460	TOP TIMING CHAIN 1750-2000 WITH LINK	SEK496.73
12	2412480	TOP TIMING CHAIN 1300 WITH LINK	SEK496.73
12	2412480I	TIMING CHAIN IWIS 1300 LONG WITH LINK - 101, 105, 115, 116	SEK873.29
13	2410480	TIMING CHAIN LINK	SEK87.41

1	2230260	INTAKE VALVE 1600-1750 41 mm	SEK185.37
1	2230270	INTAKE VALVE 2000 CARBURETTOR 44 mm	SEK197.03
1	2230300	EXHAUST VALVE 1600-1750 37 mm	SEK194.67
1	2230320	EXHAUST VALVE 2000 40 mm	SEK244.89
1	2230250	INTAKE VALVE 1300 37 mm	SEK193.56
1	2230280	EXHAUST VALVE 1300 34 mm	SEK194.67
1	2232120	INTAKE VALVE SPIDER 1990-93 2000 INJECTION	On request
2	2232920	VALVE SPRING CUP	On request
3	2232950	SHIM VALVE CUP / SPRING	SEK41.35
4	2232740	SET VALVE SPRINGS 16 PIECES	SEK991.09
5	2232930	UPPER SPRING CAP FOR VALVE SPRING	On request
6	2232960	VALVE COTTER 9MM	SEK22.20
7	2431140	SET VALVE SHIMS 200 PIECES 2,525 - 3,5 mm, DIAMETER 9mm	SEK6,517.78
7	2430840	SET VALVE SHIMS 205 PIECES 1,5 - 2,5 mm, DIAMETER 9mm	SEK6,517.78
7	2430430	VALVE SHIM 9MM PLEASE SUBMIT THE SIZE YOU NEED	SEK144.58
8	2240680	CAM FOLLOWER OE-QUALITY 101/105/115/116/75/155/164	SEK204.10
8	2240710	CAM FOLLOWER DLC RACING MADE IN ITALY 101/105/115/116/75/164	SEK460.51



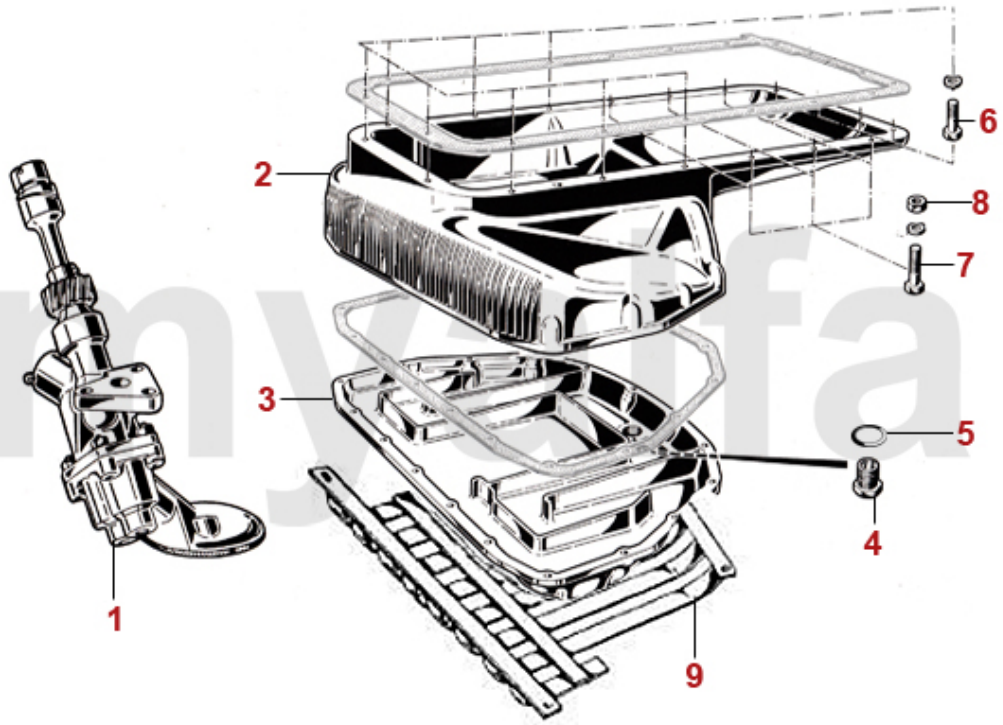
1	2142330	ENGINE BLOCK 1300 SERIES 1 OIL FILTER CARTRIDGE STYLE USED	On request
1	2142250	ENGINE BLOCK 1300 SERIES 2 SPIN-ON STYLE OIL FILTER USED	On request
1	2142270	ENGINE BLOCK 1600 SERIES 2 SPIN-ON STYLE OIL FILTER USED	On request
1	2142280	1600 ENGINE MOUNT used Type 116 with oilfilter cartridge	On request
1	2142290	ENGINE BLOCK 1750 USED	On request
1	2142300	1800 ENGINE MOUNT used Type 116 with oilfilter cartridge	On request
1	2142310	ENGINE BLOCK 2000 105 SPIN-ON STYLE OIL FILTER USED	On request
1	2142320	2000 ENGINE MOUNT used type 116 with oilfilter cartridge	On request
2	2800671	ENGINE MOUNT ROUND LEFT EXHAUST RACING STRENGTHENED	SEK670.44
2	2280661	ENGINE MOUNT ROUND, LEFT EXHAUST	SEK523.50
3	2800672	ENGINE MOUNT ROUND RIGHT INTAKE RACING STRENGTHENED	SEK670.44
3	2280662	ENGINE MOUNT ROUND, RIGHT INTAKE	SEK523.50
4	2142720	TIMING COVER USED PLEASE SPECIFY WHICH MODEL	On request
5	2282360	ENGINE STUD 1750-2000 M12	SEK262.38
5	2282340	ENGINE STUD 1600 M11 - 101/105	SEK227.41
5	2282370	ENGINE STUD 1300 M11 - 101/105	SEK227.41
6	2281980	CENTRE STUD ENGINE BLOCK REAR	On request
7	4100500	SPACER ENGINE / TRANSMISSION 1967-93	SEK338.13
8	2281430	STUD ENGINE / TRANSMISSION	SEK55.36
9	8510020	OIL DIP STICK FOR 8cm PIPE 1974-86	SEK348.68
9	8510030	OIL DIP STICK FOR 12cm PIPE 1971-73	SEK348.68

1	2212185	PISTON / LINER 1300	SEK1,620.74
1	2212195	PISTON / LINER 1600	SEK1,620.74
1	2212295	PISTON LINER 1600 FORGED, MAHLE	SEK4,488.98
2	2281135	SET PISTON RINGS 1300 1.5/1.75/4.0mm (FOR 1 PISTON)	SEK430.26
2	2282715	SET PISTON RINGS 1600 1.5/1.75/3.5mm (FOR 1 PISTON)	On request
2	2280915	SET PISTON RINGS 1600 1.5/1.75/4.0mm (FOR 1 PISTON)	SEK412.78
3	2330870	O-RING LINER 1300	SEK26.78
3	2330880	O-RING LINER 1600/1750	SEK40.79
4	2212315	LINER 1600, 78 MM	SEK1,107.64
4	2212335	LINER 2000, 84 mm	SEK1,107.64
4	2212325	LINER 1750, 80 MM	SEK1,387.50

1	2130120	CON ROD 1300 USED (PLEASE SUBMIT THE WEIGHT YOU NEED)	On request
1	2130130	CON ROD 1600 USED (PLEASE SUBMIT THE WEIGHT YOU NEED)	On request
1	2130140	CON ROD 1750 USED (PLEASE SUBMIT THE WEIGHT YOU NEED)	On request
1	2130150	CON ROD 2000 NEW	SEK1,504.05
2	2260160	SMALL END BEARING 1300	SEK262.38
2	2261120	SMALL END BEARING 1600 - 2000	SEK239.07
3	2260200	BIG END BEARINGS (Set) 1600-2000 1. OVERSIZE 0,10	SEK722.89
3	2260220	BIG END BEARINGS (Set) 1600-2000 2. OVERSIZE 0,20	SEK722.89
3	2260780	BIG END BEARINGS (Set) 1600-2000 3. OVERSIZE 0.30	SEK722.89
3	2260180	BIG END BEARINGS (Set) 1600-2000 STANDARD	SEK722.89
3	2260190	BIG END BEARINGS (Set) 1300 1. OVERSIZE 0,10	SEK1,008.57
3	2260210	BIG END BEARINGS (Set) 1300 2. OVERSIZE 0,20	SEK1,008.57
3	2260770	BIG END BEARINGS (Set) 1300 3. OVERSIZE 0.30	SEK1,008.57
3	2260170	BIG END BEARINGS (Set) 1300 STANDARD	SEK1,008.57
3	2260150	CON ROD BEARINGS SET KING XP RACING 1600-2000, STD	SEK1,364.19
3	2260310	CON ROD BEARING SET XP RACING 1600-2000, 1ST OVERSIZE	SEK1,364.19
3	2260120	CONNECTING ROD BEARINGS SET ACL RACE SERIES STD 1600-2000 - STD SIZE	SEK1,276.78
3	2260121	CONNECTING ROD BEARINGS SET ACL RACE SERIES 4-LAYERS, 1600-2000 - 1ST OVERSIZE (0.10/0,25)	SEK1,340.88
4	2261050	CON ROD BOLT SET (2PC) 1750-2000 ALSO POSSIBLE FOR 1600	SEK231.99
5	2261080	CON ROD NUT 1600-2000	SEK57.17
6	2261380	TAB WASHER CON ROD NUT 1300	SEK14.01
6	2261390	TAB WASHER CON ROD NUT (SET 2 PCS) 1600-1750	SEK30.25

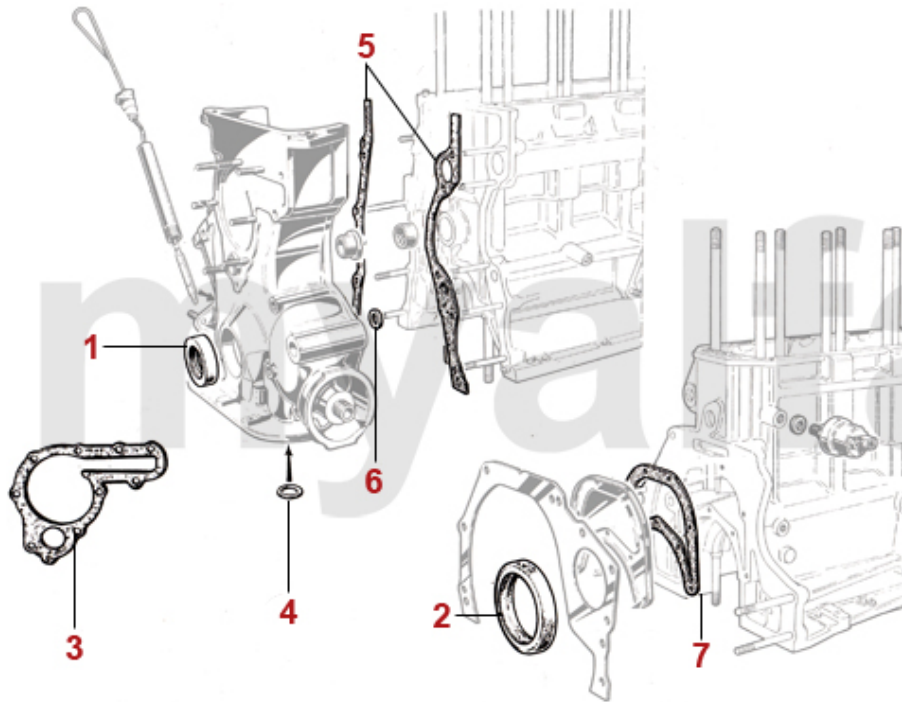
1	2280940	CRANK PULLEY NUT 1963-89	SEK227.41
1	2282690	CRANK PULLEY NUT SPIDER INJECTION MODELS 1986-93	SEK227.41
2	2280970	TAB WASHER CRANK PULLEY NUT	SEK60.63
3	2710370	ALUMINIUM PULLEY , 360 DEGREE SCALE, 125mm - BLACK	SEK1,853.84
3	2710310	PULLEY STEEL 105mm - 101/105 OE-QUALITY	SEK1,037.71
3	2710320	PULLEY STEEL 125 MM - 105/115/116 OE-QUALITY	SEK1,037.71
3	2710380	ALUMINIUM PULLEY , 360 DEGREE SCALE, 105mm - BLACK	SEK1,853.84
4	2280950	ALUMINIUM PLUG CRANKSHAFT (SET 6 PCS) 6 mm DIAMETER	SEK139.86
4	2280960	ALUMINIUM PLUG CRANKSHAFT (SET 6 PCS) 6,25 mm	SEK139.86
5	2251110	CRANK SPIGOT BUSH 24 mm	SEK127.10
5	2251100	CRANK SPIGOT BUSH 20 mm / 1750 ccm	SEK127.10
6	4222790	FLYWHEEL STEEL 8 HOLE 130 TEETH 6.25 kg LIGHT WEIGHT HYDRAULIC CLUTCH	SEK8,033.49
6	4212750	FLYWHEEL STEEL 6 HOLE 130 TEETH LIGHT WEIGHT 4,60 kgHYDRAULIC CLUTCH UP TO 1989	SEK8,499.83
6	4212760	FLYWHEEL STEEL 6 HOLE STARTER RING 105 TEETH / 5,95KG CONV. 2,0 TO MECH. CLUTCH	SEK7,567.15
6	4212840	FLYWHEEL STEEL 6 HOLE SPIDER 1990-93 ORIGINAL	On request
6	4212420	FLYWHEEL MECHANICAL CLUTCH 8-HOLE 105 TEETH, LIGHT WEIGHT7 KG	SEK8,033.49
7	4233060	RING GEAR FLYWHEEL 110 TEETH HYDRAULIC CLUTCH UP TO 1969	SEK1,387.50
7	4233080	RING GEAR FLYWHEEL 130 TEETH HYDRAULIC CLUTCH 1969-89	SEK1,387.50
7	4233090	RING GEAR FOR FLYWHEEL 6 HOLE TYPE, 131 TEETH OE.60516249	SEK1,352.54
8	4211550	SCREW FLYWHEEL 6 HOLE	SEK57.72
8	4211560	SCREW FLYWHEEL 8 HOLE	SEK68.82
9	4211500	TAB WASHER SCREW FLYWHEEL (SET 4 PCS) 8 HOLE	SEK115.44

1	2330220	OIL SEAL CRANK SHAFT FRONT 35/50/10	SEK110.72
1	2330360	OIL SEAL CRANK SHAFT FRONT 35/50/10, ORIGINAL QUALITY	SEK208.13
2	2330600	OIL SEAL CRANK SHAFT REAR 84/105/12 SPIDER IE 1990-93 ORIGINAL QUALITY	SEK406.95
2	2330230	OIL SEAL CRANK SHAFT REAR 82/105/12 750/101/105/115/116 UP TO 1989, OEM QUALITY	SEK383.64
3	2250100	MAIN BEARINGS (Set) 1300-2000 - 1. OVERSIZE 0,10	SEK873.29
3	2250110	MAIN BEARINGS (Set) 1300-2000 2. OVERSIZE 0,20	SEK873.29
3	2250750	MAIN BEARINGS 1300-2000 3. OVERSIZE 0.30	SEK873.29
3	2250090	MAIN BEARINGS (Set) 1300-2000 STANDARD	SEK873.29
3	2250150	MAIN BEARING SET KING XP RACING 1300-2000 STD -101/105/115/116/75/155/164	SEK2,390.25
3	2250151	MAIN BEARING SET KING XP RACING 1300-2000 0.10 -101/105/115/116/75/155/164	SEK2,670.11
3	2250120	MAIN BEARING SET ACL RACE SERIES 4-LAYERS, 1300-2000 - STD SIZE	SEK2,553.42
3	2250121	MAIN BEARING SET ACL RACE SERIES 4-LAYERS 1300-2000 - 1ST OVERSIZE (0.10/0,25)	SEK2,390.25
4	2240810	SET THRUST WASHERS - 101/105/115/116/75/155/164 - STANDARD	SEK250.72
4	2240820	THRUST WASHER SET - 101/105/115/116/75/155/164 - 0.005	SEK332.31
4	2240830	THRUST WASHER SET - 101/105/115/116/75/155/164 - 0.010	SEK320.65
5	2282730	TAB WASHER SET 13 PIECES MAIN BEARING / CAMSHAFT / PULLEY	SEK250.72
6	2282700	MAIN BEARING LOCKNUT	SEK22.20
7	2251490	TAB WASHER 5th MAIN BEARING	SEK17.48
8	2331550	MAIN BEARING 'CIGARETTE' OIL SEAL	SEK46.07
9	2280160	HEX NUT FOR MAIN BEARING BRACKET	SEK10.55



1	2270600	OIL PUMP 1300-2000 ORIGINAL	On request
2	2140580	UPPER OIL PAN USED (WITH HOLES, NO THREAD)	On request
2	2142940	UPPER OIL PAN USED VERSION (WITH STUDS)	On request
3	2280590	LATE LOWER SUMP PAN (NOT FOR EARLY 60s MODELS)	SEK2,087.08
4	2280120	SUMP PLUG WITH MAGNET	SEK150.41
5	2330060	SUMP PLUG WASHER SUMP / TRANSMISSION / DIFFERENTIAL	SEK18.59
6	2280130	HEX BOLT FOR UPPER OILPAN PART M7x1x30	SEK11.10
7	2280140	HEX BOLT FOR UPPER OIL PAN PART M7x1x35	SEK11.66
8	2280150	HEX NUT FOR BOLT ON UPPER OILPAN PART	SEK6.94
9	1350620	SUMP GUARD YELLOW COATED	SEK1,037.71

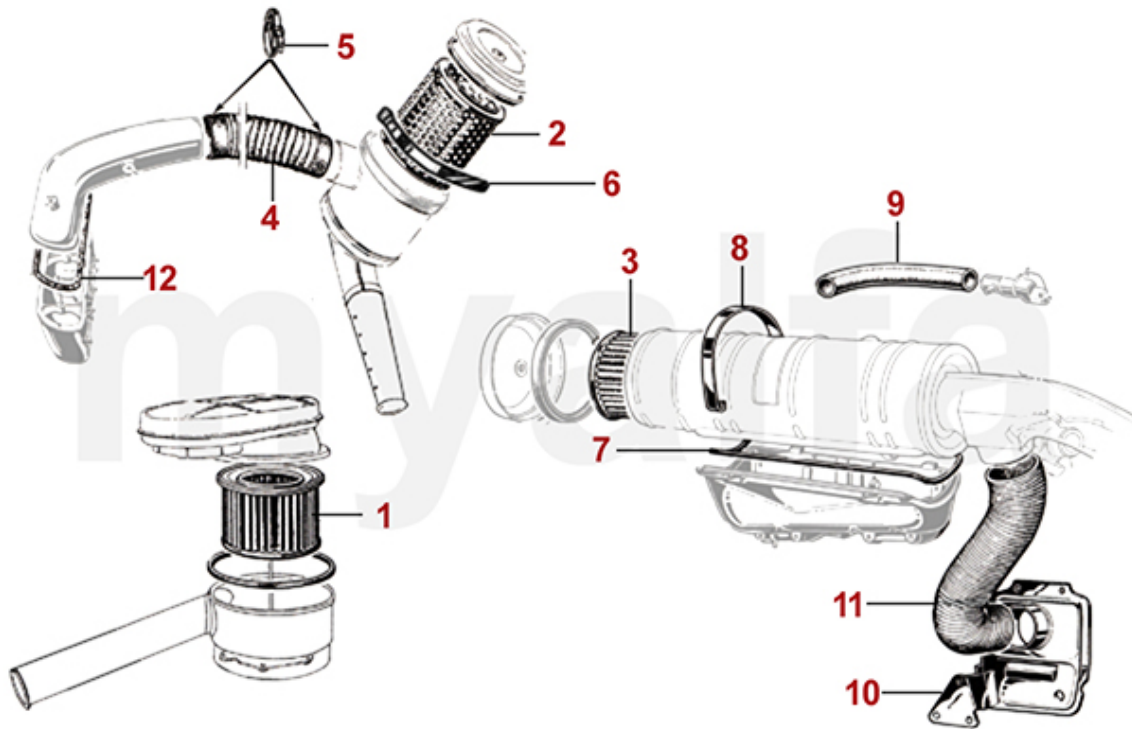
1	2321300	HEAD GASKET SET WITHOUT CLYINDER HEAD GASKET CARBURETTOR 1300/1600 1968>	SEK580.67
1	2321310	HEAD GASKET SET WITHOUT CYLINDER HEAD GASKET CARBURETTOR 1969-82	SEK580.67
1	2321320	HEAD GASKET SET WITHOUT CYLINDER HEAD GASKET CARBURETTOR FROM 1982 ON	SEK641.30
2	2310310	ENGINE GASKET SET WITHOUT HEAD GASKET AND O-RINGS CARBURETTOR 1300/1600 >1968	SEK921.16
2	2310320	ENGINE GASKET SET WITHOUT HEAD GASKET AND O-RINGS CARBURETTOR 1969-82	SEK921.16
2	2310330	ENGINE GASKET SET WITHOUT HEAD GASKET AND O-RINGS CARBURETTOR FROM 1982 ON	SEK991.09
3	2310350	MOTOR GASKET SET REINZ WITH HEADGASKET AND O-RINGS CARBURETTOR 2000	SEK3,369.68



1	2330220	OIL SEAL CRANK SHAFT FRONT 35/50/10	SEK110.72
1	2330360	OIL SEAL CRANK SHAFT FRONT 35/50/10, ORIGINAL QUALITY	SEK208.13
2	2330600	OIL SEAL CRANK SHAFT REAR 84/105/12 SPIDER IE 1990-93 ORIGINAL QUALITY	SEK406.95
2	2330230	OIL SEAL CRANK SHAFT REAR 82/105/12 750/101/105/115/116 UP TO 1989, OEM QUALITY	SEK383.64
3	2330470	WATERPUMP GASKET - 105, 115, 101 1600 - FOR MECHNICAL REV-COUNTER	SEK66.46
4	2330730	O-RING OIL PUMP	SEK19.29
5	2331330	TIMING COVER GASKET SET (5pc)	SEK185.37
6	2330760	O-RING TIMING COVER 101/105/115/116	SEK57.17
7	2330610	REAR COVER PLATE GASKET	SEK48.98

1	2330440	HEAD GASKET 1600 REINZ BEST QUALITY	SEK581.78
1	2330450	HEAD GASKET 1750 REINZ BEST QUALITY	SEK553.89
1	2330460	HEAD GASKET 2000 REINZ BEST QUALITY	SEK647.13
1	2330690	HEAD GASKET 1600 COPPER - 1.85 MM	SEK832.50
1	2330680	HEAD GASKET 2000 COPPER - 1,85MM	SEK832.50
1	2330740	HEAD GASKET 1300 COPPER - 1.85MM	SEK757.85
1	2330430	HEAD GASKET 1300 REINZ BEST QUALITY	SEK581.78
1	2333440	CYLINDER HEAD GASKET 1600 PAYEN 1.9mm	SEK635.34
1	2333450	CYLINDER HEAD GASKET 1750 PAYEN 1.9mm	On request
1	2333460	CYLINDER HEAD GASKET 2000 PAYEN 1.9mm	SEK635.48
2	2330130	CAM COVER GASKET WITH SILICONE STRIP	SEK306.64
2	2330650	VALVE COVER GASKET REINZ (2mm)	SEK442.47
3	2330310	RUBBER CAM COVER REAR	SEK28.03
4	2330550	CAM COVER SCREW GASKET ALUMINIUM (SET 2PC) 750/101/102/106/105/116	SEK37.32
5	2330560	CAM COVER SCREW GASKET FIBRE	SEK68.82
6	3800200	GASKET CYLINDER HEAD / EXHAUST MANIFOLD	SEK43.15

1	2330730	O-RING OIL PUMP	SEK19.29
2	2330620	UPPER SUMP GASKET WITH SILICONE STRIP	SEK378.93
3	2330140	LOWER SUMP GASKET	SEK162.06
3	2330590	LOWER SUMP GASKET WITH SILICONE STRIP	SEK292.62
4	2330510	OIL SUMP RUBBER T-PROFILE	SEK55.36
5	2330060	SUMP PLUG WASHER SUMP / TRANSMISSION / DIFFERENTIAL	SEK18.59



1	2920170	AIR FILTER GIULIA REGISTER CARBURETTOR, FRAM 130 mm hoch	SEK629.65
2	2920030	AIR FILTER 1300-1750 SERIES 1 EXHAUST SIDE	SEK815.02
3	2920020	AIR FILTER 1300-2000 400mm	SEK274.03
5	2580380	HOSE CLAMP BREVETTI ROMA BLOK 80-100mm	SEK329.95
6	2520110	AIR FILTER CLAMP GIULIA, GT BERTONE, SPIDER 105SERIES 1	SEK571.37
7	2330110	AIR FILTER HOUSING RUBBER SEALS 2 PIECES	SEK115.44
8	2520100	CLAMP AIR FILTER BOX	SEK320.65
9	2280190	CRANK CASE VENT HOSE CARBURETTOR MODELS	SEK173.72
10	2521920	PREHEATING PLATE	On request
11	2550090	HOT AIR DUCTING TUBE	SEK277.50
12	2330200	AIR BOX COVER GASKET SERIES 1, AIR FILTER ON THE LEFT SIDE	SEK95.60

1	2930200	FUEL FILTER ASSAMBLY KING ALUMINIUM WITH PRESSURE ADJUSTER SCREW	SEK1,234.74
1	2930210	FUEL FILTER ASSAMBLY KING GLASS WITH PRESSURE ADJUSTER SCREW	SEK1,234.74
2	2930070	FUEL FILTER FISPA 35 mm	SEK87.41
3	2930220	RUBBER SEAL FUEL FILTER HOUSING FISPA	SEK80.34
3	2930230	O-RING FOR KING FUEL FILTER BETWEEN CAP AND GLASS	SEK80.34
4	2930130	FUEL FILTER KING 40mm	SEK99.07
5	2930140	FUEL FILTER SPIDER 2000 IE 1986-93	SEK309.00
6	2930120	FUEL FILTER SPICA INJECTION 4-CYLINDER	SEK277.50
7	2910040	OIL FILTER CARTRIDGE INCL. SEAL RING 750, 101, 102 SERIES 2, 105, 106 - FROM 1954 TO 1970 -	SEK197.03
8	2910030	SEAL RING FOR OIL FILTER HOUSING UNTIL 1966 78MM	SEK45.51
9	2330820	GASKET OIL FILTER SUPPORT SERIES 1	SEK38.43
10	2910050	SPIN-ON STYLE OIL FILTER	SEK115.44
10	2910230	OILFILTER ORANGE - ORIGINAL RETRO DESIGN	SEK208.68
10	2910220	SPIN-ON STYLE OIL FILTER ORIGINAL Alfa Romeo	SEK173.72
11	2280120	SUMP PLUG WITH MAGNET	SEK150.41
12	2330060	SUMP PLUG WASHER SUMP / TRANSMISSION / DIFFERENTIAL	SEK18.59
13	2950050	CONVERSION KIT OILFILTER (750/101/105 1st SERIES) FROM INSET TO SCREW ON	SEK3,836.02

1	3110300	EXHAUST MANIFOLD CYLINDER 1+4 1600 - 2000 CARBURETTOR MODELS	On request
2	3110310	EXHAUST MANIFOLD SET CYLINDER 1/4 and 2/3 1600 - 2000 CARBURETTOR MODELS	SEK3,380.09
3	2280930	STUD CYLINDER HEAD / EXHAUST MANIFOLD	SEK26.78
4	2282610	COPPER NUT M 8 x 1 WRENCH SIZE 12mm EXHAUST MANIFOLD	SEK11.10
4	2281280	BRASS NUT EXHAUST MANIFOLD M 8 x 1 WRENCH SIZE 13 mm	SEK26.78
5	3310530	FRONT EXHAUST SECTION GIULIA HANGING PEDALS	SEK1,626.57
5	3310520	FRONT EXHAUST SECTION 1300-1600 STANDING PEDALS	SEK1,690.67
6	3410190	MIDDLE EXHAUST SECTION GIULIA/ GT BERTONE/BERLINA HANGING PEDALS	SEK1,457.43
6	3410770	MIDDLE EXHAUST SECTION GIULIA/ GT BERTONE / BERLINA STANDING PEDALS	SEK1,048.26
7	3510220	REAR EXHAUST SECTION GIULIA/ GT BERTONE	SEK1,113.47
8	3520240	REAR EXHAUST PIPE GIULIA / BERONE GT / SPIDER - 82 / BERLINA	SEK1,270.95
8	3520250	SPORT EXHAUST PIPE STAINLESS STEEL GIULIA / BERONE GT / SPIDER - 82 / BERLINA	SEK1,387.50

1	3800200	GASKET CYLINDER HEAD / EXHAUST MANIFOLD	SEK43.15
2	3800210	EXHAUST MANIFOLD TO DOWNPIPE GASKET	SEK48.98
3	3800470	GASKET ONE PIECE EXHAUST / FRONT EXHAUST SECTION	SEK116.55
4	3800590	GASKET CATALYST / MIDDLE EXHAUST SECTION SPIDER 1986-93	SEK79.23
5	3800270	O-RING MIDDLE EXHAUST / REAR EXHAUST	SEK68.82
6	1190850	FRONT EXHAUST HEAT PROTECTION PLATE 1970-89 W/O CATALYST	SEK641.30
7	1190840	FRONT EXHAUST HEAT PROTECTION PLATE SPIDER 1970-89	SEK641.30
8	3800400	UPPER GEARBOX EXHAUST BRACKET	SEK577.20
9	3800450	LOWER GEARBOX EXHAUST BRACKET HANGING PEDALS	SEK571.37
9	3800420	LOWER GEARBOX EXHAUST BRACKET STANDING PEDALS	SEK991.09
10	3800280	GEARBOX EXHAUST HANGER BUSH	SEK110.72
11	3900330	EXHAUST CLAMP	SEK39.68
12	3800260	EXHAUST RUBBER HANGER	SEK58.28
13	3800500	SET JACKET EXHAUST HANGER RUBBERS (2PC)	SEK67.43
14	3800510	EXHAUST HANGER RUBBER WASHER (SET 2)	SEK127.10
15	3800250	EXHAUST MAOUNTING KIT CARBURETTOR MODELS	SEK384.75

0	3520240	REAR EXHAUST PIPE GIULIA / BERONE GT / SPIDER - 82 / BERLINA	SEK1,270.95
0	3121050	EXHAUST SYSTEM, 60mm/V1A ALUMINIZED ORIG. RETRO LOOK	SEK11,414.82
0	3520250	SPORT EXHAUST PIPE STAINLESS STEEL GIULIA / BERONE GT / SPIDER - 82 / BERLINA	SEK1,387.50

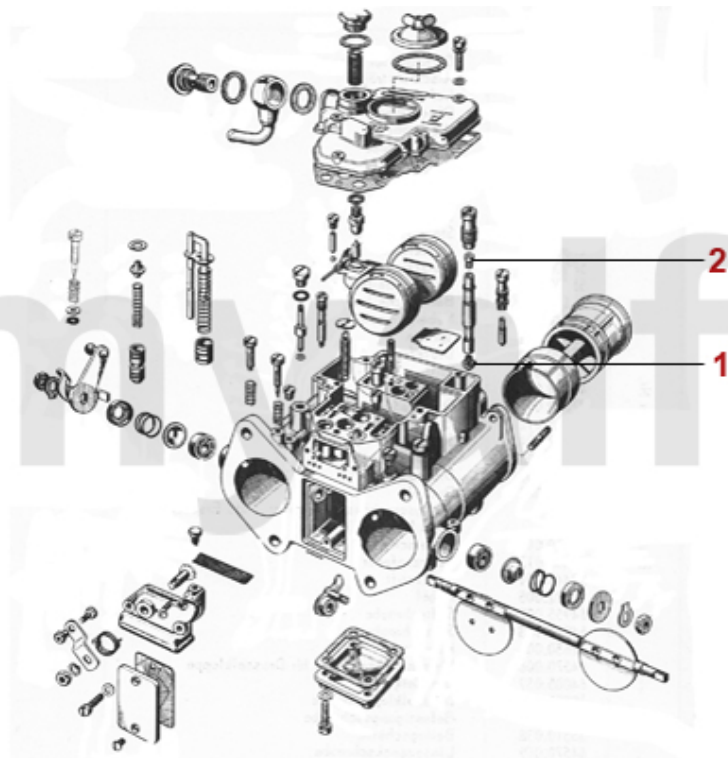
1	2580020	FUEL TANK GIULIA	SEK3,836.02
1	2580260	FUEL TANK BERLINA 2000	SEK4,652.15
2	2580210	FUEL TANK SEAL 2,25 m ON A ROLL	SEK87.41
2	2580220	TANK RUBBER SEAL PREFORMED	SEK291.51
3	2580080	FUEL CAP BAYONET VERSION LOCKABLE	SEK348.68
3	2580090	FUEL CAP SCREW VERSION LOCKABLE 1982	SEK348.68
3	2580390	FUEL CAP BAYONET VERSION LOCKABLE, STAINLESS STEEL	SEK346.88
3	2580400	FUEL CAP BAYONET VERSION, STAINLESS STEEL. OIL FILLER CAP 1900, 102	SEK291.51
3	2580200	FUEL CAP BAYONET VERSION, CHROME - 1900/750/101/102/105/106 - OILFILLER CAP 1900/102	SEK278.61
4	8650110	TANK SENDER JAEGER GAUGES 170 mm TUBE WITH RUBBER GASKET	SEK804.47
4	8650120	TANK SENDER VEGLIA GAUGES 170 mm TUBE WITH RUBBER GASKET	SEK804.47
5	8650190	RUBBER GASKET TANK SENDER	SEK57.17
6	2580180	COVER FOR TANK SENDER 105/115 CARBURETOR MODELS	SEK671.55
7	2580160	FUEL FILLER NECK SEAL GIULIA / GT BERTONE	SEK860.53

1	2520170	SINGLE CARBURETTOR RUBBER MOUNT 40 mm PREMIUM QUALITY	SEK402.24
1	2520750	SET SOLID ALUMINIUM CARBURETTOR MOUNTS 40mm	SEK1,922.66
2	2520180	DOUBLE CARBURETTOR RUBBER MOUNT 40 mm PREMIUM QUALITY	SEK687.92
3	2330350	HD CARBURETTOR MOUNT GASKET (8 PCS) 40 mm REINFORCED	SEK127.10
4	2330160	INTAKE MANIFOLD GASKET 1600-2000 CARBURETTOR MODELS FROM 1968 ON	SEK158.59
4	2330780	INTAKE MANIFOLD GASKET 1300 FROM 1968 ON	SEK180.79
4	2330100	INTAKE MANIFOLD GASKET 1600-2000 CARBURETTOR MODELS REINZ (WITHOUT METALL INLAY)	SEK225.05
4	2330800	INTAKE MANIFOLD GASKET 1300/1600 UNTIL 1968	SEK220.34
5	2330520	CARBURETTOR TO AIRBOX GASKET	SEK38.43
6	6710630	VACUUM NON RETURN VALVE BRAKE BOOSTER (M16x1,5)	SEK535.16
6	6710620	VACUUM NON RETURN VALVE BRAKE BOOSTER (5/8" INCH)	SEK535.16
7	2521050	HEATER HOSE VACUUM TAP INTAKE MANIFOLD 105/115 6mm	SEK215.76
8	2281270	STEEL NUT INTAKE MANIFOLD M 8 x 1 WRENCH SIZE 12 mm	SEK10.55
9	2510640	CARBURETTOR STAY BUSH	SEK104.90
10	8701070	GROUND STRAP CARBURETTOR TO BODY 120 mm	SEK92.13
11	2630010	VENT SCREW COOLANT INTAKE MANIFOLD/THERMOSTAT	SEK92.13
12	2630020	SEAL RING FOR VENT SCREW	SEK5.27

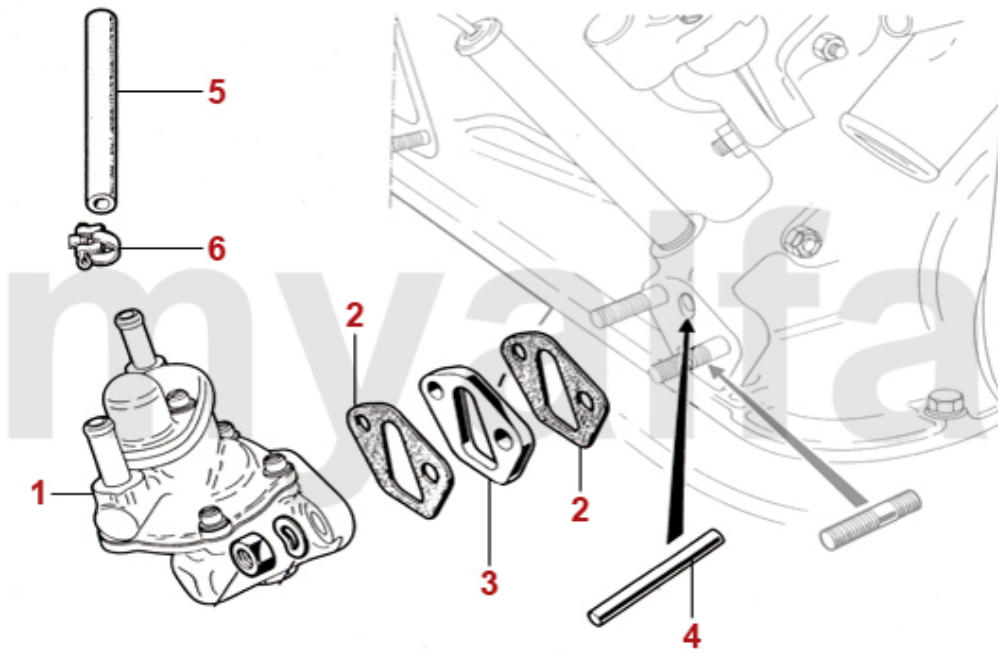
1	2520340	CARBURETTOR RUBBER MOUNT 45 mm	SEK408.06
2	2330770	HD CARBURETTOR MOUNT GASKET 45 mm TS-9003	SEK20.40
3	2330160	INTAKE MANIFOLD GASKET 1600-2000 CARBURETTOR MODELS FROM 1968 ON	SEK158.59
3	2330100	INTAKE MANIFOLD GASKET 1600-2000 CARBURETTOR MODELS REINZ (WITHOUT METALL INLAY)	SEK225.05
3	2330800	INTAKE MANIFOLD GASKET 1300/1600 UNTIL 1968	SEK220.34
4	2330780	INTAKE MANIFOLD GASKET 1300 FROM 1968 ON	SEK180.79
4	2330200	AIR BOX COVER GASKET SERIES 1, AIR FILTER ON THE LEFT SIDE	SEK95.60
5	2330520	CARBURETTOR TO AIRBOX GASKET	SEK38.43
6	2510640	CARBURETTOR STAY BUSH	SEK104.90
7	2521050	HEATER HOSE VACUUM TAP INTAKE MANIFOLD 105/115 6mm	SEK215.76
8	6710630	VACUUM NON RETURN VALVE BRAKE BOOSTER (M16x1,5)	SEK535.16
8	6710620	VACUUM NON RETURN VALVE BRAKE BOOSTER (5/8" INCH)	SEK535.16
9	8701070	GROUND STRAP CARBURETTOR TO BODY 120 mm	SEK92.13
10	2281270	STEEL NUT INTAKE MANIFOLD M 8 x 1 WRENCH SIZE 12 mm	SEK10.55
11	2630010	VENT SCREW COOLANT INTAKE MANIFOLD/THERMOSTAT	SEK92.13
12	2630020	SEAL RING FOR VENT SCREW	SEK5.27

1	2511470	WEBER 45 DCOE 152	SEK8,733.06
1	2511440	WEBER 40 DCOE 151 (SET 2 pc.), 1300	SEK18,643.84
1	2511450	WEBER 40 DCOE 151 (SET 2 pc.), 1600	SEK18,643.84
1	2511460	WEBER 40 DCOE 151 (SET 2 pc.), 2000	SEK18,643.84
1	2511490	WEBER 40 DCOE 151 (SET 2 pc.). 1750/1800	SEK18,643.84
1	2511420	WEBER CARBURETTOR 36 DCD 14/F 23R SINGLE CARBURETTOR 750/101, 105	On request
2	2524670	OUTER VENTURI 40DCOE 34mm	SEK535.16
3	2521770	JET COVER WEBER DCOE	SEK402.24
4	2333020	JET COVER GASKET WEBER DCOE	SEK40.79
5	2523040	CONNECTION ARM WEBER DCOE REAR	SEK644.77
6	2523030	CONNECTION ARM WEBER DCOE FRONT	SEK525.86
7	2523010	PUMP JET 35 WEBER DCOE 40	SEK174.27
8	2522990	EMULSION TUBE F 16 WEBER DCOE 40	SEK378.93
8	2523000	EMULSION TUBE F 9 WEBER DCOE 40	SEK378.93

1	2520720	GASKET KIT WEBER 40 DCOE (FOR 2 CARBURETTORS INCLUDING NEEDLE VALVES)	SEK693.75
1	2523100	GASKET KIT WEBER DCOE 151/152 (FOR 1 CARBURETTOR WITH BRASS FLOAT) WITHOUT FLOAT NV 150	SEK454.68
1	3800530	SPACER SET FOR EXHAUST MOUNT	SEK559.72
1	2523130	GASKET KIT WEBER 40/45 DCOE 151/152 (FOR 1 CARBURETTOR WITH PLASTIC FLOAT) NV 200	SEK454.68
2	2520730	GASKET KIT DELLORTO (FOR 2 CARBURETTORS INCLUDING NEEDLE VALVES)	SEK921.16
3	2521890	CARBURETTOR GASKET FULL SET SOLEX PAIA 101 1600, 105 1300-1600	SEK1,154.26
3	2521850	GASKET KIT WEBER CARBURETTOR 36 DCD 14/F 23R SINGLE CARBURETTOR 750/101, 105	SEK523.50
4	2520740	GASKET KIT SOLEX ADDHE 32 (FOR 2 CARBURETTORS INCLUDING NEEDLE VALVES)	SEK757.85
5	2522060	GASKET KIT SOLEX ADDHE 20/24/29 (FOR 2 CARBURETTORS INCLUDING NEEDLE VALVES)	SEK693.75
6	2522050	GASKET KIT SOLEX 40 DDH 3/5/7/8 (FOR 2 CARBURETTORS INCLUDING NEEDLE VALVES)	SEK757.85



1	2524000	MAIN JET 110 WEBER DCOE	SEK103.79
1	2524010	MAIN JET 115 WEBER DCOE	SEK103.79
1	2524040	MAIN JET 130 WEBER DCOE	SEK103.79
1	2524050	MAIN JET 135 WEBER DCOE	SEK103.79
1	2524060	MAIN JET 140 WEBER DCOE	SEK103.79
1	2524070	MAIN JET 145 WEBER DCOE	SEK103.79
1	2524080	MAIN JET 150 WEBER DCOE	SEK103.79
1	2524090	MAIN JET 155 WEBER DCOE	SEK103.79
1	2524100	MAIN JET 160 WEBER DCOE	SEK85.05
1	2524110	MAIN JET 165 WEBER DCOE	SEK85.05
1	2524120	MAIN JET 170 WEBER DCOE	SEK85.05
1	2524130	MAIN JET 175 WEBER DCOE	SEK85.05
1	2524140	MAIN JET 180 WEBER DCOE	SEK85.05
2	2524500	AIR CORRECTION JET 150 WEBER DCOE	SEK103.79
2	2524510	AIR CORRECTION JET 155 WEBER DCOE	SEK103.79
2	2524520	AIR CORRECTION JET 160 WEBER DCOE	SEK103.79
2	2524530	AIR CORRECTION JET 165 WEBER DCOE	SEK103.79
2	2524540	AIR CORRECTION JET 175 WEBER DCOE	On request
2	2524550	AIR CORRECTION JET 180 WEBER DCOE	SEK103.79
2	2524560	AIR CORRECTION JET 185 WEBER DCOE	SEK103.79
2	2524570	AIR CORRECTION JET 190 WEBER DCOE	SEK103.79
2	2524580	AIR CORRECTION JET 195 WEBER DCOE	SEK103.79
2	2524600	AIR CORRECTION JET 205 WEBER DCOE	SEK85.05
2	2524610	AIR CORRECTION JET 210 WEBER DCOE	SEK85.05
2	2524620	AIR CORRECTION JET 220 WEBER DCOE	SEK85.05
2	2524630	AIR CORRECTION JET 245 WEBER DCOE	SEK85.05



1	2530100	FUEL PUMP CARBURETTOR MODELS	SEK570.12
2	2330480	FUEL PUMP GASKET	SEK28.03
3	2330490	PLASTIC SPACER FUEL PUMP	SEK57.17
4	2530300	FUEL PUMP ROD SERIES 2	On request
5	2571510	FUEL HOSE 8mm ,1m CUT PIECE	SEK87.41
5	2572150	FUEL HOSE 8mm ,STAINLESS STEEL 1m CUT PIECE	SEK92.13
6	2570310	FUEL HOSE CLAMP	SEK16.37

1	2530360	ELECTRICAL FUEL PUMP PIERBURG	SEK1,573.43
1	2530340	ELECTRICAL FUEL PUMP MITSUBA-REPLIKA	On request
1	2530380	FUEL PUMP FACET RED TOP COMPETITION KIT (152 L/H)	SEK2,976.74
1	2530390	ELECTRIC FUEL PUMP HARDI 0,28-0,35 Bar, 100 - 130 L/h 8mm ADJUSTABLE SUPPORT	SEK1,620.74
2	8421000	SAFETY RELAY FOR ELECTRICAL FUEL PUMP	SEK804.47
3	8421010	RELAY SOCKET FOR 8421000 (SECURITY RELAY UPGRADE ELECTRIC FUEL PUMP)	On request



1 9820310 SYNCHRO TESTER

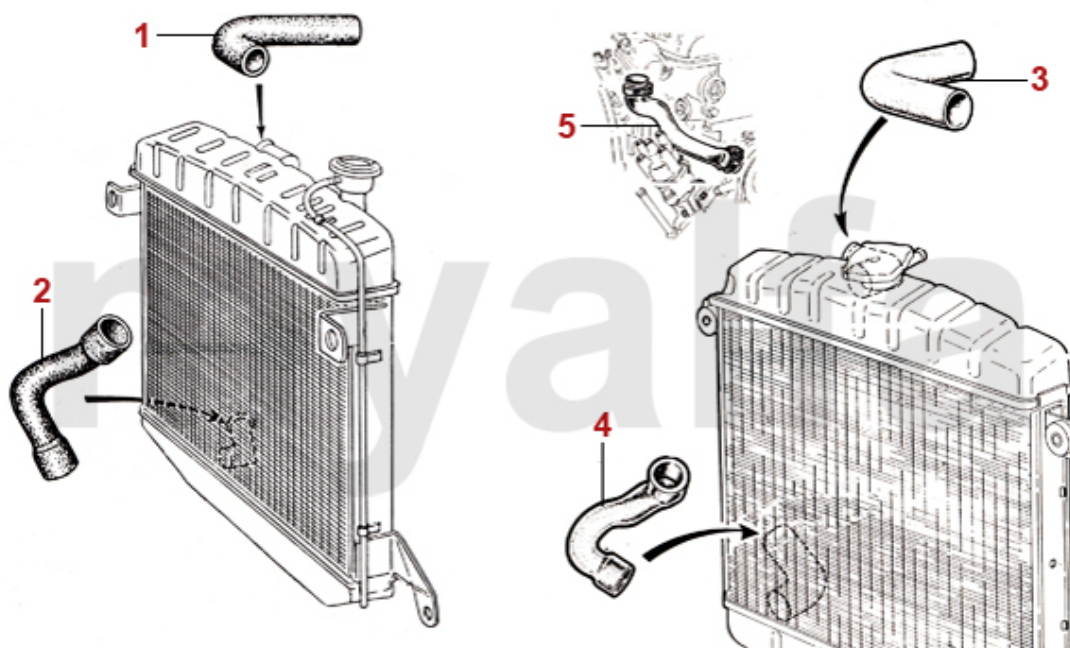
SEK791.71

2 9820320 ADAPTER SYNCHRO TESTER

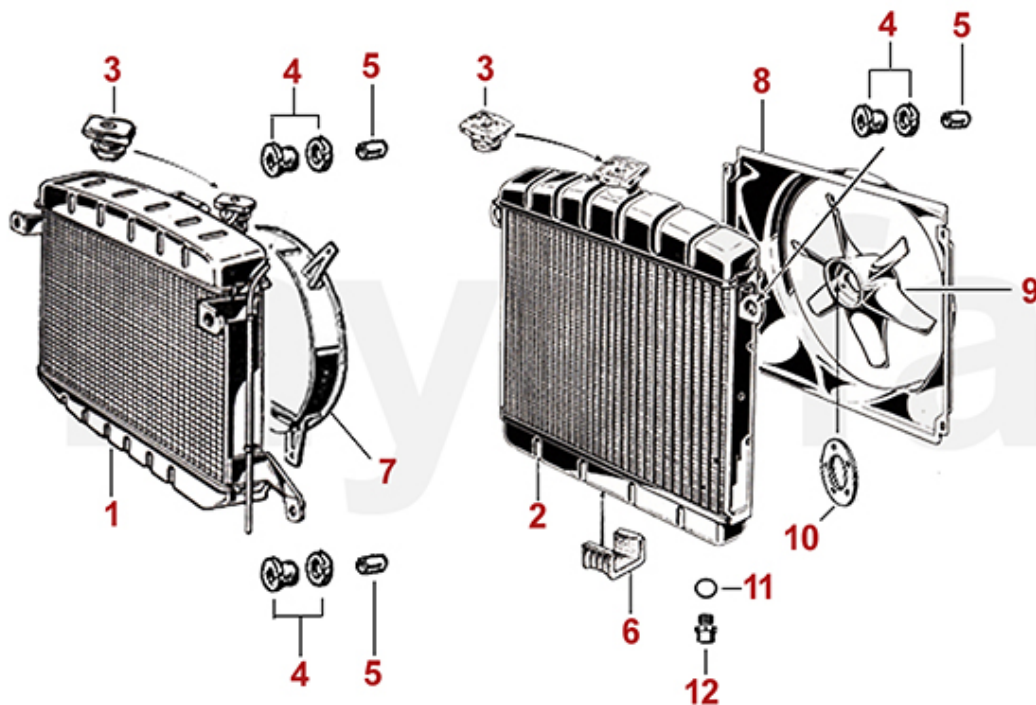
SEK406.95



1	2630070	THERMOSTAT 1300/1600 SERIES 1 SCREW IN	SEK460.51
2	2630080	THERMOSTAT 1300-2000 DROP IN	SEK256.55
3	2330420	THERMOSTAT GASKET	SEK64.10



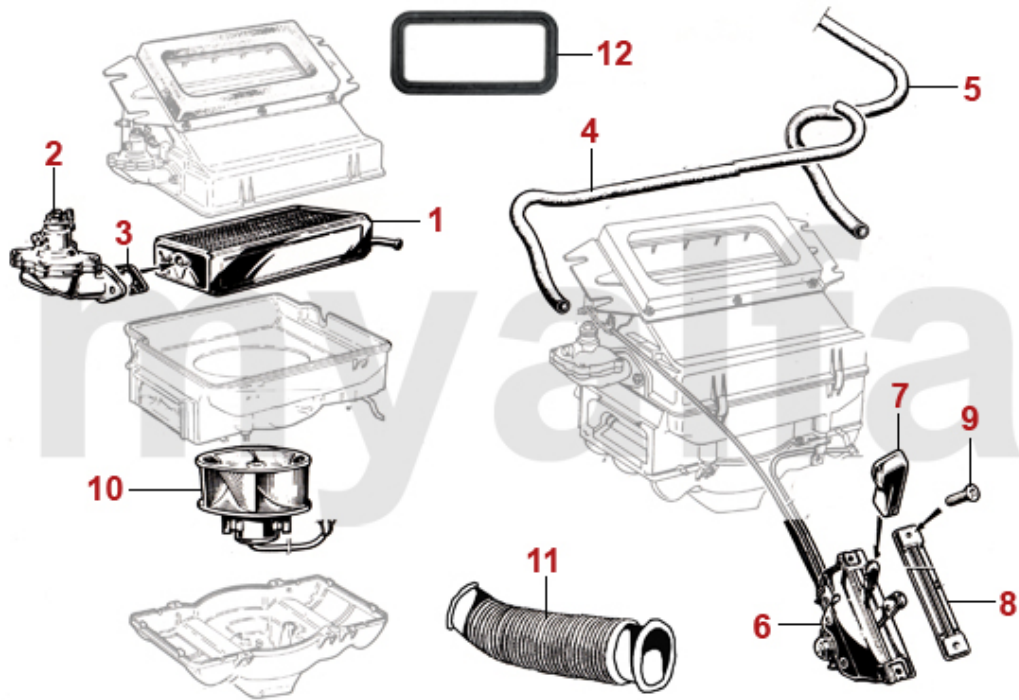
1	2660560	RADIATOR HOSE RADIATOR / INTAKE MANIFOLD SINGLE CARBURETTOR	SEK265.85
1	2660150	RADIATOR HOSE RADIATOR / INTAKE MANIFOLD 105 1300/1600 SCREW IN THERMOSTAT (RADIATOR WITH 4 LATERAL HOLDERS), 101 SPIDER VELOCE, SS LATE CARS	SEK206.32
1	2660250	RADIATOR HOSE RADIATOR / INTAKE MANIFOLD 1300/1600 SCREW IN THERMOSTAT (RADIATOR WITH 2 LATERAL HOLDERS)	SEK231.99
2	2660570	RADIATOR HOSE RADIATOR / WATER PUMP 1300/1600 (RADIATOR 4 LATERAL HOLDERS)	SEK220.34
3	2660160	RADIATOR HOSE RADIATOR / INTAKE MANIFOLD 1300-2000 CARBURETTOR MODELS, NOT SKREW IN THERMOSTAT	SEK162.06
4	2660180	RADIATOR HOSE RADIATOR / WATER PUMP 1300-2000 (RADIATOR 2 LATERAL HOLDERS)	SEK169.14
5	2660170	RADIATOR HOSE THERMOSTAT/ WATER PUMP CARBURETTOR MODELS	SEK173.72



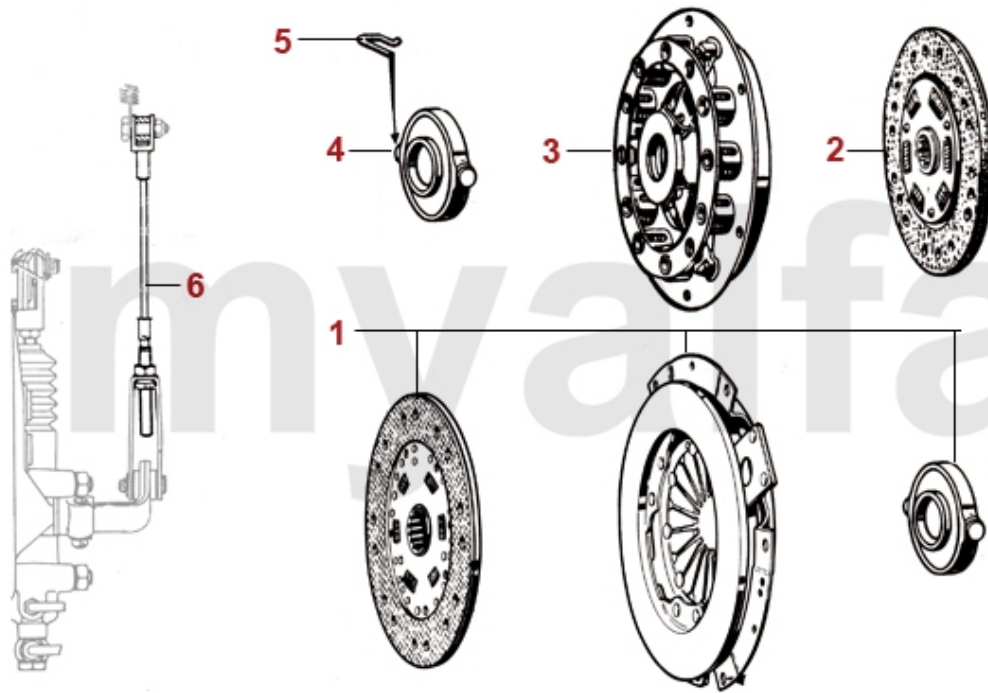
1	2611650	HIGH PERFORMANCE ALUMINIUM RADIATOR POWDER COATED GIULIA GT BERTONE 1968-78	SEK6,121.37
1	2611620	HIGH PERFORMANCE ALUMINIUM RADIATOR GIULIA/GT BERTONE 1963-68	SEK6,937.50
1	2610260	RADIATOR GIULIA/GT BERTONE 1963-68	SEK4,652.15
2	2610640	RADIATOR GIULIA / GT BERTONE 1968-78	SEK3,719.47
2	2611640	HIGH PERFORMANCE ALUMINIUM RADIATOR GIULIA/GT BERTONE, 1968-78	SEK5,888.13
3	2680600	RADIATOR CAP ROUND TYPE MODELS WITHOUT EXPANSION TANK	SEK145.69
3	2680610	RADIATOR CAP ROUND TYPE MODELS WITHOUT EXPANSION TANK, CHROMED	SEK277.50
4	2680060	RADIATOR CAP SQUARE TYPE MODELS WITH EXPANSION TANK	SEK145.69
4	2680620	RADIATOR CAP SQUARE TYPE MODELS WITH EXPANSION TANK, CHROMED	SEK277.50
5	2680710	LATERAL RADIATOR SUPPORT RUBBER (SET)	SEK173.72
6	2680530	BUSH (SET) RADIATOR MOUNTING RUBBER	SEK45.51
7	2680030	RADIATOR BOTTOM SUPPORT RUBBER 1968-89 CARBURETTOR MODELS	SEK54.81
8	2640020	FAN COWL METAL 105 1ST SERIES 1962-1968	SEK921.16
9	2640010	PLASTIC RADIATOR COWL 1968-82 - DEEP SHAPE 7.5 CM	SEK465.23
10	2640530	FAN BLADE 1972-89 MECHANICAL FAN	SEK320.65
10	2640520	FAN BLADE 1300/1600 1964-72	SEK348.68
11	2640040	WASHER FOR FAN	SEK173.72
12	2650030	COPPER SEAL RING FOR RADIATOR DRAIN SCREW	SEK17.48
13	2650010	RADIATOR DRAIN SCREW	SEK81.03

1	2620490	WATERPUMP 1300 (105) -1600 (101, 105) 2 HOSE CONNECTIONS SMALL PULLEY (94mm)	SEK1,223.08
2	2620510	WATER PUMP 1600-2000 3 CONNECTIONS / MECHANICAL REV COUNTER ::: PULLEY (110 mm) ::: FITTED ON CARS WITH ALTERNATOR :::	SEK1,048.26
3	2330470	WATERPUMP GASKET - 105, 115, 101 1600 - FOR MECHNICAL REV- COUNTER	SEK66.46
4	2702140	V-BELT 9.5x725 DYNAMO GENERATOR	SEK134.03
4	2700700	V-BELT 9.5x825	SEK103.79
4	2700690	V-BELT 10 x 813	SEK128.21
5	2330710	GASKET REV COUNTER ALIGNMENT	SEK33.86
6	8600010	REV COUNTER GEAR	On request
7	4130440	OIL SEAL SPEEDOMETER DRIVE / REV COUNTER DRIVE 8 x 16 x 7	SEK103.79
8	4210110	TOP DEAD POINTER FOR CRANK PULLAY 105mm DIAMETER, MARK 1	SEK162.06
9	4210100	TOP DEAD POINTER FOR CRANK PULLAY 125mm DIAMETER, MARK 2	SEK162.06

1	7400120	HEATER VALVE SERIES 1 METAL 2 HOSE CONNECTIONS	SEK624.93
2	7400300	HEATER VALVE DIAPHRAGM SERIES 1	SEK102.54
3	7200700	HEATER CORE SERIES 1	SEK2,506.80
4	7300220	HEATER MOTOR 1st SERIES GIULIA ,GT BERTONE, SPIDER, ONE LEVEL	SEK1,234.74
5	2660480	RADIATOR HOSE HEATER VALVE SERIES 1 - INTAKE MANIFOLD	SEK197.03
6	2660230	HEATER HOSE HEATER / WATER PUMP	SEK138.75
7	1731270	HEATER CONTROL END KNOB 1969-85 BLACK PLASTIC	SEK52.45
7	1731620	HEATER CONTROL END KNOB 1969-85 CHROMED	SEK110.72
7	1731245	HEATER CONTROL END KNOB (SET) GT BERTONE, SPIDER, GIULIA UP TO 1969, IPRA	SEK346.88
8	1731290	HEATER FASCIA PANEL CHROME GIULIA, GT BERTONE, SPIDER WITHOUT CONSOLE	SEK1,090.16
8	1731240	HEATER FASCIA PANEL WITH FASTENING GIULIA, GT BERTONE	SEK1,387.50
9	1731250	FASTENING (SET) FOR HEATER FASCIA PANEL 173 124 0	On request
10	7800740	VENT HOSE UNIVERSAL 50 mm x 1000 mm	SEK185.37
11	7800730	RUBBER SEAL FOR HEATER BOX, GIULIA, GT BERTONE, SPIDER	SEK408.06



1	7200290	HEATER CORE SERIES 2	SEK1,864.38
2	7400050	HEATER VALVE SERIES 2 PLASTIC ATTACHED TO THE HEATER CORE	SEK581.78
3	7400350	HEATER VALVE GASKET SERIES 2	SEK44.26
4	2660220	HEATER HOSE HEATER HOSE / INTAKE MANIFOLD SERIES 2	SEK197.03
5	2660230	HEATER HOSE HEATER / WATER PUMP	SEK138.75
7	1731270	HEATER CONTROL END KNOB 1969-85 BLACK PLASTIC	SEK52.45
7	1731620	HEATER CONTROL END KNOB 1969-85 CHROMED	SEK110.72
8	1731230	HEATER FASCIA PANEL CHROME GIULIA / GT BERTONE / SPIDER 1970-85 WITH CONSOLE	SEK309.00
9	1731750	SCREW (2 PCS) HEATER FASCIA PANEL	SEK33.86
10	7300230	HEATER MOTOR GIULIA/ GT BERTONE 173 mm DIAMETER	SEK1,620.74
11	7800740	VENT HOSE UNIVERSAL 50 mm x 1000 mm	SEK185.37
12	7800730	RUBBER SEAL FOR HEATER BOX, GIULIA, GT BERTONE, SPIDER	SEK408.06

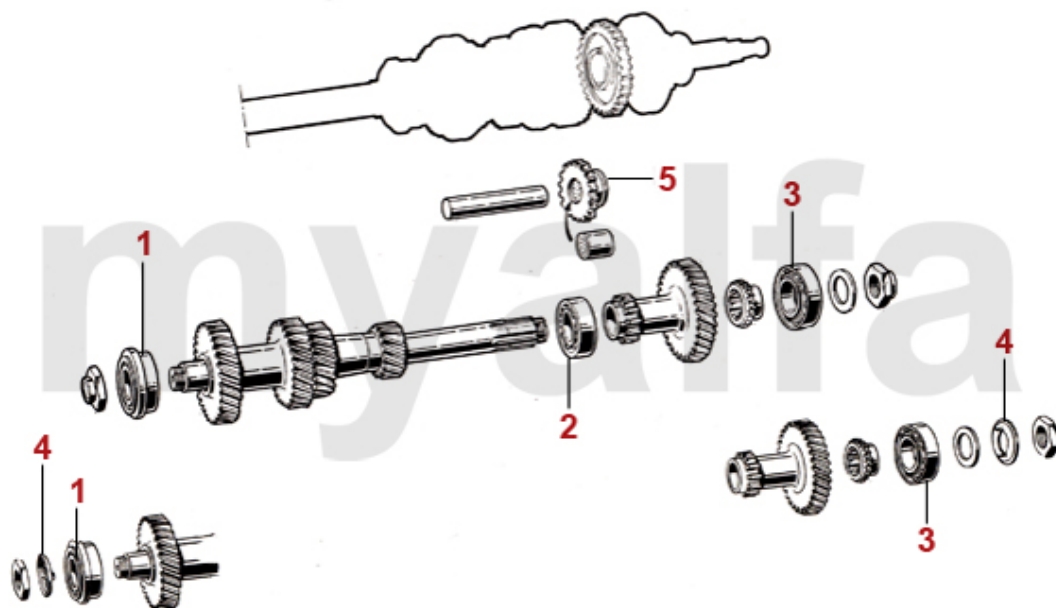


1	4311020	CLUTCH KIT 750/101, 105 1st SERIES MECHANICAL CONVERSION TO DIAPHRAGM SPRING PRESSURE PLATE	SEK5,468.42
2	4340290	CLUTCH DISC MECHANICAL	SEK1,160.09
2	4340300	CLUTCH DISC MECHANICAL FICHTEL & SACHS	SEK1,737.29
3	4330310	PRESSURE PLATE MECHANICAL	SEK2,670.11
4	4350010	CLUTCH RELEASE BEARING MECHANICAL WITH RETAINING CLIPS	SEK687.92
4	4350320	CLUTCH RELEASE BEARING MECHANICAL	SEK873.29
5	4390010	RETAINING CLIP CLUTCH RELEASE BEARING MECHANICAL	SEK55.92
5	4390400	RETAINING SPRING (SET 2 PCS) CLUTCH RELEASE BEARING MECHANICAL CLUTCH SACHS	SEK103.79
6	4390280	CLUTCH CABLE	SEK231.99

1	4310010	CLUTCH KIT HYDRAULIC REINFORCED MADE IN ITALY	SEK2,786.66
1	4310230	CLUTCH KIT HYDRAULIC FICHTEL & SACHS	SEK3,252.99
1	4310240	CLUTCH KIT HYDRAULIC LUK 1968-93	SEK3,252.99
2	4310030	CLUTCH DISC HYDRAULIC	SEK612.17
2	4330530	PRESSURE PLATE FICHTEL & SACHS	SEK1,970.53
2	4340410	CLUTCH DISC 105/115 FICHTEL & SACHS	SEK1,632.39
3	4330040	PRESSURE PLATE HYDRAULIC	SEK1,504.05
3	4350050	CLUTCH RELEASE BEARING HYDRAULIC PREMIUM	SEK302.61
4	4211570	SCREW FOR CLUTCH AUTOMAT	SEK26.78
5	4350330	CLUTCH RELEASE BEARING HYDRAULIC FICHTEL & SACHS	SEK921.16
6	4370220	RELEASE LEVER HYDRAULIC	SEK804.47
7	4130090	RUBBER GROMMET FOR RELEASE LEVER HYDRAULIC CLUTCH	SEK75.76
8	4390160	SPRING FOR CLUTCH ARM HYDRAULIC	SEK92.13
9	4390150	RETAINING SPRING CLUTCH RELEASE BEARING HYDRAULIC	SEK109.61
10	4380110	CLUTCH MASTER CYLINDER STANDING PEDALS	SEK1,037.71
10	4380150	CLUTCH MASTER CYLINDER STANDING PEDALS BONALDI 1405755	SEK1,922.66
11	4380120	CLUTCH MASTER CYLINDER HANGING PEDALS	SEK1,119.30
12	4380210	CLUTCH RESERVOIRE WITH CAP HANGING PEDALS	SEK640.75
13	4380200	CAP BRAKE / CLUTCH RESERVIORE HANGING PEDALS	SEK138.75
14	4380080	REPAIR KIT CLUTCH MASTER CYLINDER ATE HANGING PEDALS	On request
15	4380140	CLUTCH SLAVE CYLINDER 105/115 OE-QUALITY	SEK804.47
15	4380130	CLUTCH SLAVE CYLINDER STANDING PEDALS 105 BENDITALIA	SEK1,154.26
15	4380170	CLUTCH SLAVE CYLINDER 105/115 BENDITALIA	SEK1,078.50
16	4390170	CLUTCH SLAVE CYLINDER RETAINING CIRCLIP	SEK34.41
17	4380100	REPAIR KIT CLUTCH SLAVE CYLINDER	SEK230.88
18	4380060	CLUTCH FLEXI HOSE	SEK230.88
18	4380090	STEEL FLEX CLUTCH HOSE	SEK535.16
19	4380180	CLUTCH LINE HANGING PEDALS	SEK335.78
20	4380190	NUT CLUTCH FLEXI HOSE	SEK38.43
21	1160600	COVER FOR CLUTCH MASTER CYLINDER STANDING PEDALS GIULIA, GT BERTONE, SPIDER	SEK757.85

1	4130140	SHIFT FORK 1./2. GEAR, 1300-2000 ccm, 101/105/115	On request
2	4130150	SHIFT FORK 3./4. GEAR, 1300-2000 ccm, 101/105/115	SEK2,320.32
3	4130160	SHIFT FORK 5./ REVERSE GEAR	SEK875.65
4	23335018	O-RING FOR TRANSMISSION WITH OPEN BELL HOUSING	SEK34.41
5	4130040	GEARBOX RUBBER GAITER SMALL	SEK150.41
6	4130050	GEARBOX RUBBER GAITER BIG	SEK208.13
7	4130360	GEARBOX RUBBER GAITER COMBINATION	SEK371.99
8	4130620	CLAMP GEARBOX RUBBER GAITER SMALL	SEK46.62
9	4130630	CLAMP GEARBOX RUBBER GAITER BIG	SEK50.09
10	4130530	GEAR GAITER BASE TRANSMISSION TUNNEL	SEK355.62
11	4130380	GEAR LEVER METAL PLATE	SEK29.14
12	4130120	GEAR LEVER RUBBER SEAL	SEK34.97

1	4150010	SYNCHRO RING OE-QUALITY 105/115/116/75	SEK687.92
1	4150020	SYNCHRO RING GOETZE 105/115/116/75	SEK1,620.74
1	4150030	SYNCHRO RING OE-QUALITY 101/105 SERIES 1/102/106	SEK1,853.84
2	4130130	SYNCHRO SLEEVE OE-QUALITY 105/115/116/75	SEK1,270.95
3	4150330	MAINSHAFT BEARING 2000 FRONT / MIDDLE, 1600 FROM 1989 ON	SEK1,043.54
3	4150460	MAINSHAFT BEARING - 101/105/115 1300-1750 UP TO 1989 - FRONT / MIDDLE	SEK1,043.54
4	4150310	MAINSHAFT BEARING - 105/115 2nd SERIES -REAR	SEK711.23
4	4150320	REAR MAIN SHAFT BEARING 101/105 1st SERIES//102/106	SEK921.16
5	4150290	NEEDLE BEARING SMALL - 105/105/115/102/106	SEK208.68
6	4150300	NEEDLE BEARING BIG 5. GEAR	SEK250.58
7	4130490	SAFETY NUT INPUT SHAFT 2000	SEK220.34
8	4130320	SAFETY NUT PROPSHAFT ADAPTER 1972-93	SEK191.20
9	4150520	BEARING SLEEVE GEARS - 101/105/115/102/106	SEK256.55
10	4100730	PROPSHAFT ADAPTER	On request
11	4140680	LOCK BAND 2.-5. GEAR - 101/105/115	On request
11	0406700	UPPER LOCK-BLOCK	SEK285.69
11	4140690	UPPER LOCK BLOCK 1. GEAR	SEK285.69
11	4140700	LOWER LOCK BLOCK	SEK285.69
12	4150560	TAB WASHER PROPSHAFT ADAPTER 1959-72	SEK61.74
13	4140740	REVERSE GEAR PINION MAINSHAFT - 101/105/115	SEK2,087.08
14	4140750	GEAR DOG RING / SYNCRONIZER HUB	SEK1,970.53

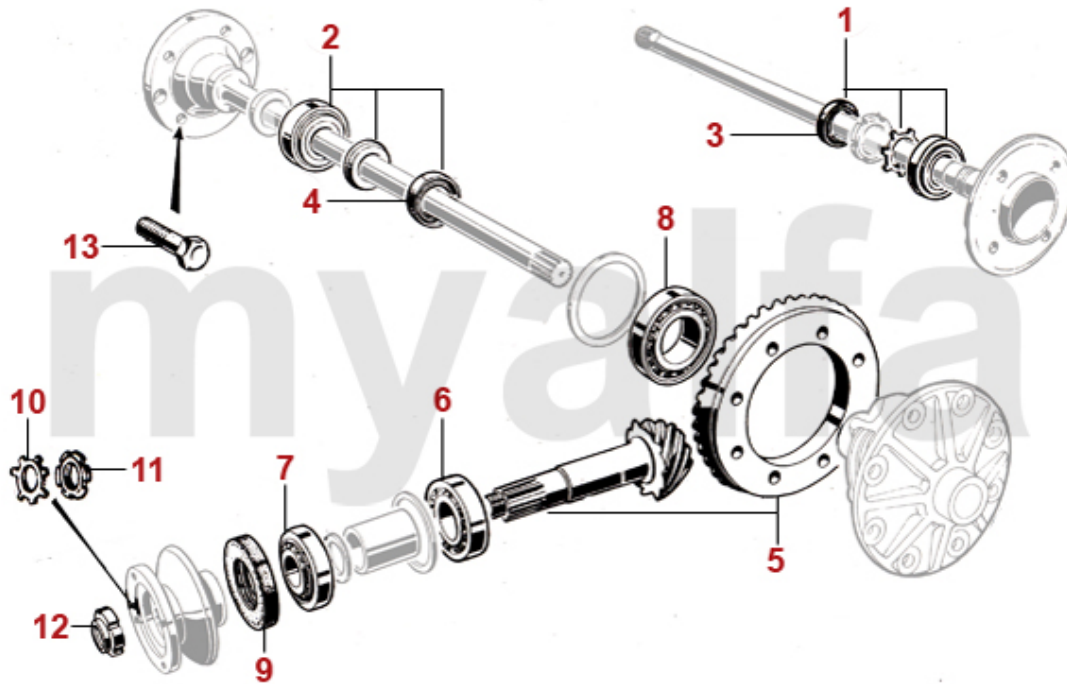


1	4150470	LAYSHAFT BEARING 2000 FRONT INNER DIAMETER 20 mm	SEK943.22
1	4150240	LAYSHAFT BEARING - 105 1300-1750, 101 - FRONT	SEK801.00
2	4150250	LAYSHAFT BEARING - 101/105/115 - MIDDLE	SEK693.75
3	4150260	LAYSHAFT BEARING REAR - 105/115 1300-2000	SEK658.79
3	4150210	LAYSHAFT BEARING REAR - 105/115 1300-1750, 101 / 102 / 106	SEK757.85
4	4150570	TAB WASHER LAYSHAFT - 101/105 1959-72	SEK66.46
5	4140610	REVERSE GEAR PINION - 101/105/115	SEK1,603.26

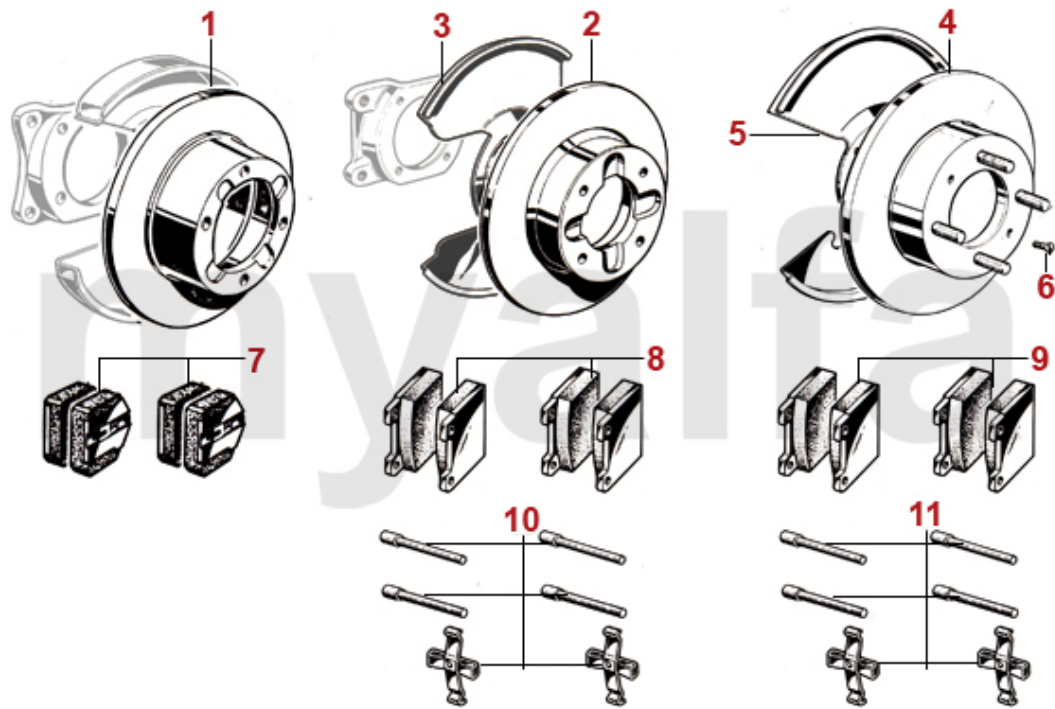
1	4100590	BELL HOUSING MECHANICAL CLUTCH 1st SERIES	SEK5,468.42
1	4100370	BELL HOUSING HYDRAULIC CLUTCH SERIES 2 SCREW IN SWITCH	SEK6,471.16
2	4100510	SHUT PANEL BELL HOUSING HYDRAULIC CLUTCH	SEK416.25
3	2330300	OIL SEAL TRANSMISSION FRONT HYD. CLUTCH	SEK103.79
3	2330240	OIL SEAL TRANSMISSION FRONT MECH. CLUTCH 750/101/105	SEK116.00
3	2330700	OIL SEAL TRANSMISSION FRONT HYD. CLUTCH CORTECO	SEK138.75
3	2330245	OIL SEAL TRANSMISSION MECHANICAL CLUTCH 750/101/105 CORTECO	SEK127.10
4	2330250	OIL SEAL TRANSMISSION REAR 101/105/115	SEK111.97
4	2330400	OIL SEAL TRANSMISSION REAR 101/105/115 CORTECO	SEK150.96
5	4120020	GEARBOX MOUNTING BUSH -105/115 - 1969-93 FOR CARS WITH HYDRAULIC CLUTCH	SEK244.89
5	4120640	GEARBOX MOUNTING BUSH - 101/102/105 FOR MECHANICAL CLUTCH /106	SEK448.86
6	4120600	GEARBOX MOUNTING RUBBER WASHER (SET) - 5-SPEED GEARBOX	SEK150.96
7	4130580	RUBBER GAITER CLUTCH ACTUATIONFORK MECHANICAL CLUTCH	SEK641.30
8	8701230	GROUND STRAP TRANSMISSION / BODY 200 mm	SEK162.06
9	8640630	REVERSE LIGHT SWITCH BRACKET MOUNTED	SEK326.48
10	8640150	REVERS LIGHT SWITCH SCREW-IN	SEK185.37
11	2330580	GASKET SPEEDOMETER ALIGNMENT	SEK28.58
12	4130440	OIL SEAL SPEEDOMETER DRIVE / REV COUNTER DRIVE 8 x 16 x 7	SEK103.79
13	4130660	SPEEDOMETER DRIVE SPACER	SEK45.51
14	2280090	OIL FILLING SCREW, HEXAGON SOCKET, TRANSMISSION /DIFFERENTIAL M22x1.5	SEK103.79
14	2280100	OIL FILLER SCREW , HEXAGON SOCKET, TRANS MISSION/DIFFERENTIAL M22x1.5	SEK92.13
15	2280110	SUMP PLUG WITH MAGNET TRANSMISSION/DIFFERENTIAL 750/101, 105/115	SEK122.38

1	4410310	REAR PROPSHAFT SECTION *NEW* GIULIA / BERLINA SCREW: 8mm	SEK5,129.03
1	4410370	REAR PROPSHAFT SECTION *NEW* GIULIA / BERLINA SCREW: 9mm	SEK5,129.03
1	4410070	REAR PROPSHAFT SECTION "NEW" GIULIA / BERLINA, 9MM HOLES, MADE IN ITALY, 920MM LENGTH	SEK3,439.61
1	4410240	REAR PROPSHAFT SECTION "NEW" GIULIA / BERLINA, 8MM HOLES, MADE IN ITALY, 920MM LENGTH	SEK3,439.61
2	4440190	UNIVERSAL JOINT WITH GREASE NIPPLE - 750/101/105 1ST Series 1962-66	SEK543.35
2	4440010	UNIVERSAL JOINT 1966-93	SEK402.24
3	4440200	SCREW REAR PROPSHAFT SECTION 9 mm	SEK52.45
3	4440240	LOCK NUT REAR PROPSHAFT SECTION 9 mm ORIGINAL	SEK26.78
4	4440210	LOCK NUT REAR PROPSHAFT SECTION 9 mm	SEK22.76
4	4440230	LOCK NUT REAR PROPSHAFT SECTION 8 mm	SEK25.67
4	4440220	SCREW REAR PROPSHAFT SECTION 8 mm	SEK52.45
5	4430050	PROPSHAFT CENTRE SUPPORT RUBBER 1962-68	SEK305.53
6	4430090	PROPSHAFT CENTRE SUPPORT 1962-1968	SEK1,037.71
7	4430020	PROPSHAFT CENTRE SUPPORT 1968-1993 ORIGINAL QUALITY	SEK495.48
7	4430220	PROPSHAFT CENTRE SUPPORT 1968-93 HEAVY DUTY	SEK728.72
7	4430040	PROPSHAFT CENTRE SUPPORT 1968-93 WITH BEARING ORIGINAL QUALITY	SEK815.02
7	4430230	PROPSHAFT CENTRE SUPPORT 1968-1993 WITH BEARING HEAVY DUTY	SEK1,016.76
8	4430030	PROPSHAFT CENTRE SUPPORT BEARING ORIGINAL QUALITY	SEK185.37
8	4430010	PROPSHAFT CENTER SUPPORT BEARING FAG	SEK303.17
9	4440120	RETAINING CLIP PROPSHAFT CENTRE SUPPORT BEARING	SEK34.97
10	4430100	COVER FOR PROPSHAFT CENTER SUPPORT	SEK207.57
11	4420040	FRONT DOUGHNUT COUPLING	SEK687.92
12	2280180	HEX NUT HIGH-STRENGTH FOR HARDY DISC/BALL JOINT	SEK45.51
13	4440160	TOP HAT BUSH	SEK523.50
14	4440150	TOP HAT BUSH INTERNAL PAD	SEK92.13
15	4440140	RUBBER BUMP TRANSMISSION / FRONT PROPSHAFT	SEK58.28
16	4440110	HIGH STRENGTH BOLT FOR FRONT DOUGHNUT COUPLING	SEK33.86

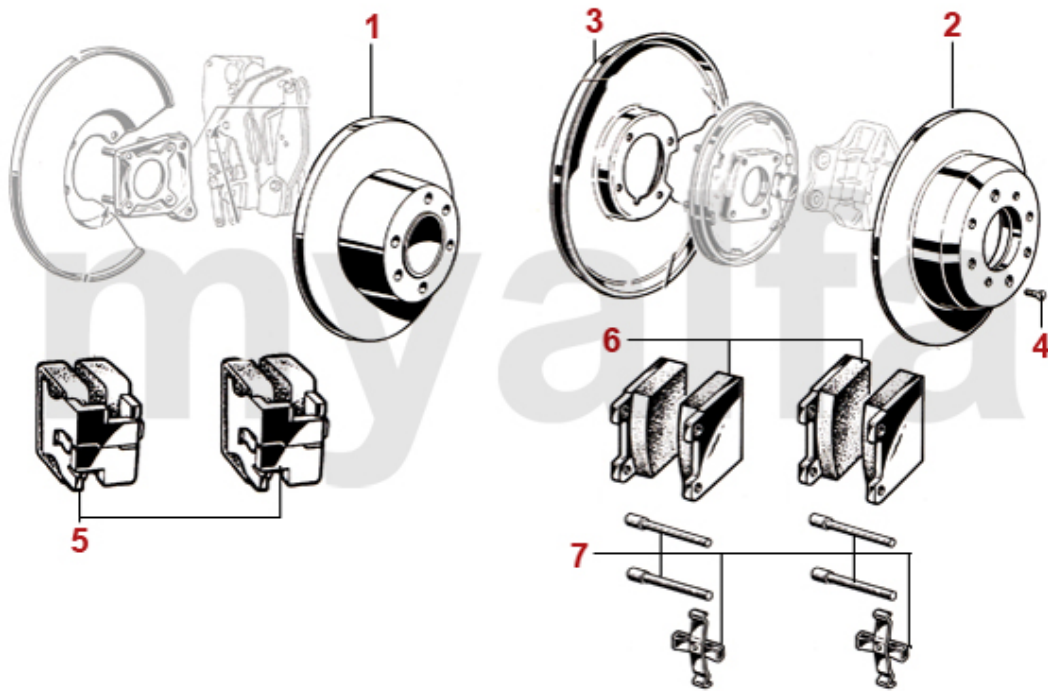
1	2330320	DIFFERENTIAL OIL PAN GASKET 1300-1750	SEK99.07
1	2330330	DIFFERENTIAL OIL PAN GASKET 2000	SEK96.15
2	2280110	SUMP PLUG WITH MAGNET TRANSMISSION/DIFFERENTIAL 750/101, 105/115	SEK122.38
3	4541840	TAB WASHER AXLE PIPE LEFT	SEK33.86
4	4541930	TAB WASHER (SET 2) AXLE PIPE RIGHT	SEK68.82
5	4541940	TAB WASHER (SET 2) AXLE PIPE LEFT	SEK173.72
6	4541880	LSD DISC DIFFERENTIAL 1,9 mm	SEK931.57
6	4541890	LSD DISC DIFFERENTIAL 2,0 mm	SEK1,014.40
6	4541900	LSD DISC DIFFERENTIAL 2,1 mm	SEK1,014.40
7	4531870	LSD FRICTION DISC 2 mm WITH INNER TEETH	SEK1,037.71
7	4531880	LIMITED SLIP DIFFERENTIAL FRICTION PLATE - SINTERED FOR RACING	SEK1,329.23
8	4541910	LSD SPACER DISC	SEK262.38
9	4536440	STOP RUBBER DIFFERENTIAL / BODY 105/115	SEK192.45



1	5441550	WHEEL BEARING KIT REAR 1964-72 WITH TAB WASHER	SEK809.19
2	5441560	WHEEL BEARING KIT REAR 1972-93 WITH SHRINK RING	SEK738.01
2	5441571	WHEEL BEARING REAR - 1900 / 101 1600 /105/115 RACING	SEK1,219.61
3	2330270	OIL SEAL WHEEL BEARING REAR 750/101, 105 1300-1750 1962-72 52/30/10	SEK170.25
4	2330280	OIL SEAL WHEEL BEARING REAR 1300-2000 1972-93 52/34/10	SEK110.72
5	4521850	Teller/Kegelrad 10/43	On request
6	4531070	REAR ROLLER BEARING FOR PINION - 105 1300-1750, 101 1600	SEK1,154.26
6	4530900	REAR PINION BEARING 2000	SEK977.08
7	4531420	FRONT ROLLER BEARING FOR PINION - 105 1300-1750, 101 1600	SEK690.28
7	4530890	FRONT PINION BEARING 2000	SEK687.92
8	4530960	DIFFERENTIAL CASE BEARING, 105 1300-1750, 101 1600	SEK1,387.50
8	4530510	DIFFERENTIAL CASE BEARING 2000	SEK515.32
9	2330530	OIL SEAL DIFFERENTIAL CASE FRONT - 105 1300-1600, 750/101	SEK150.96
9	2330260	OIL SEAL DIFFERENTIAL 2000 74.5/45/12	SEK208.13
9	2331560	OIL SEAL DIFFERENTIAL 1750 72/40/10	SEK150.96
10	4541720	TAB WASHER PINION NUT - 105 1300-1750 , 750/101	SEK57.17
11	4541810	PINION NUT - 105 1300-1750, 750/101	SEK250.58
12	4541820	PINION NUT 2000 2000	SEK250.58
13	5740862	WHEEL STUD RIGHT HAND THREAD 105 REAR UP TO 1972, 750/101/102/106 REAR AND FRONT	SEK170.25
13	5740861	WHEEL STUD LEFT HAND THREAD 105 REAR UP TO 1972, 750/101/102/106 REAR AND FRONT	SEK170.25
13	5740850	REAR WHEEL BOLT RIGHT HAND THREAD FROM YEAR 1972 105/115	SEK74.65

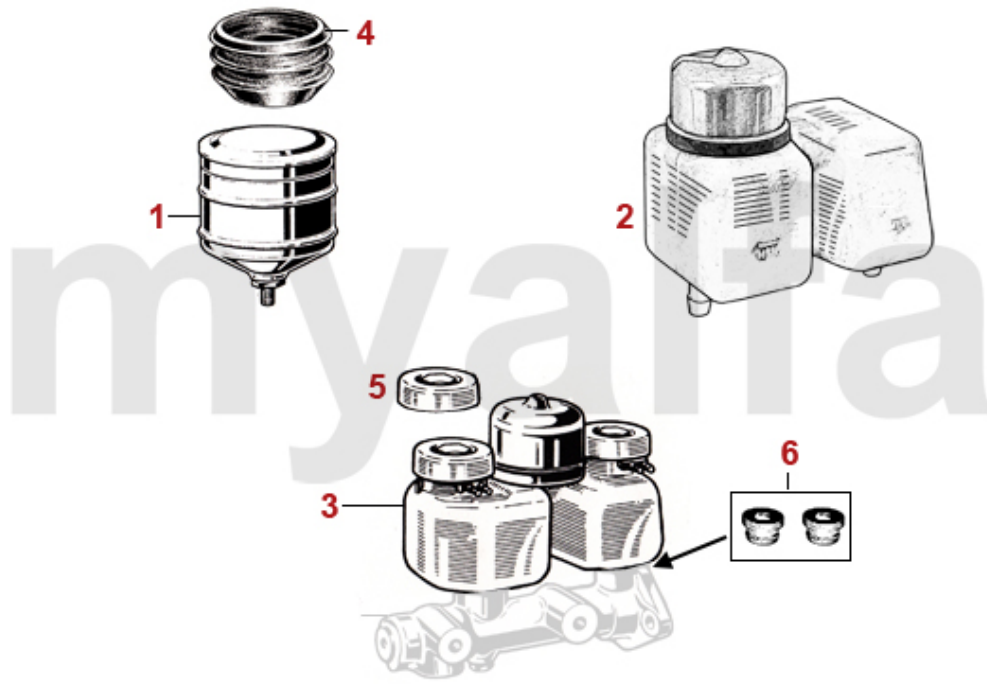


1	6101020	BRAKE DISC 1300/1600 1963-66 FRONT, DUNLOP , DIAMETER 285 mm	SEK2,097.62
2	6100010	BRAKE DISC 1300/1600 1967-85 FRONT, DIAMETER 267 mm	SEK658.79
2	6100050	BRAKE DISC 1300/1600 1966-67 FRONT, ATE, 1st SERIES	SEK2,320.32
2	6100060	FRONT BRAKE DISC ORIGINAL EQUIPMENT QUALITY (BREMBO) 1300/1600 1967-85, DIAMETER 267mm	On request
3	6630481	BACKING PLATE FRONT DISK 1300-1600 LEFT	SEK577.20
3	6630482	BACKING PLATE FRONT DISK 1300-1600 RIGHT	SEK577.20
4	6100020	BRAKE DISC 1750/2000, 1600 1986-93 FRONT, DIAMETER 272mm	SEK944.47
4	6100070	FRONT BRAKE DISC ORIGINAL EQUIPMENT QUALITY (BREMBO) 1750/2000, 1600 1986-93, DIAMETER 272mm	SEK1,037.71
5	6630491	BACKING PLATE FRONT BRAKE DISK1750-2000 LEFT	SEK577.20
5	6630492	BACKING PLATE FRONT BRAKE DISK 1750-2000 RIGHT	SEK577.20
6	6500560	CENTERING SCREW FOR BRAKE DISC/DRUM FRONT AND REAR	SEK22.20
7	6300910	BRAKE PADS 1300/1600 FRONT, DUNLOP	SEK1,142.61
8	630004F	BRAKE PADS 1300/1600 1964-85 FRONT, OEM QUALITY	SEK453.57
8	6300040	BRAKE PADS 1300/1600 1966-85 FRONT	SEK285.69
9	630005F	BRAKE PADS 1750/2000, 1600 1986-93 FRONT, OEM QUALITY	SEK460.51
9	6300050	BRAKE PADS 1750/2000, 1600 1986-93 FRONT	SEK348.68
10	6500070	RETAINING PIN SET BRAKE PADS 1300-1600 1966-85 FRONT	SEK110.72
11	6500080	RETAINING PIN SET BRAKE PADS 1750-2000, 1600 1986-93 FRONT	SEK115.44
12	6500060	RETAINING PIN SET BRALE PADS DUNLOP FRONT	SEK227.41



1	6101030	BRAKE DISC 1963-66 REAR, DUNLOP	SEK1,923.91
2	6100030	BRAKE DISC 1966-93 REAR	SEK757.85
2	6100090	REAR BRAKE DISC ORIGINAL EQUIPMENT QUALITY (BREMBO) 1966-93	SEK804.47
3	6630500	REAR BRAKE DISC BACKING PLATE	SEK500.19
4	6500560	CENTERING SCREW FOR BRAKE DISC/DRUM FRONT AND REAR	SEK22.20
5	6301010	BRAKE PADS REAR 1963-66, DUNLOP	SEK1,263.87
6	630006F	BRAKE PADS 1300-2000 1966-93 REAR, OEM QUALITY	SEK425.55
6	6300060	BRAKE PADS 1300-2000 REAR	SEK297.34
7	6500090	RETAINING PIN SET BRAKE PADS REAR	SEK110.72

1	6721070	BRAKE MASTER CYLINDER 1300-1750 STANDING PEDALS ATE 22mm WITH BRAKE BOOSTER	SEK1,971.64
1	6720260	BRAKE MASTER CYLINDER 1300/1600 STANDING PEDALS ATE 20 mm W/O BRAKE BOOSTER	SEK2,203.63
2	6720270	BRAKE MASTER CYLINDER 1300-1750 STANDING PEDALS VERSION BENDIX/BONALDI	SEK1,387.50
2	6720250	MASTER BRAKE CYLINDER 1300-1750 FLOOR MOUNTED PEDALS BONALDI 1418061	SEK1,737.29
3	6720930	BRAKE MASTER CYLINDER BENDIX 1300-1750 RHD DUAL CIRCUIT SYSTEM 1409334	SEK5,235.18
4	6720280	BRAKE MASTER CYLINDER HANGING PEDALS 20,6MM	SEK1,467.98
4	67245043	BRAKE MASTER CYLINDER ATE ORIG. HANGING PEDALS 20,6MM	SEK2,856.59
5	6770330	REPAIR KIT BMC 1300-1750 STANDING PEDALS ATE 22 mm WITH BRAKE BOOSTER	SEK364.91
6	6770670	REPAIR KIT HBZ 1300/1600 STANDING PEDALS BONALDI 20 mm W/O BRAKE BOOSTER	On request
6	6770440	REPAIR KIT BMC 1300/1600 STANDING PEDALS DUNLOP 22 mm WITH BRAKE BOOSTER	SEK571.37
7	6770340	REPAIR KIT BMC 1300-2000 HANGING PEDALS ATE 20 mm	SEK641.30
7	6770350	REPAIR KIT HBZ 1300-2000 HANGING PEDALS BONALDI 20 mm	SEK367.27
7	6770710	REPAIR KIT HBZ 1300-2000 HANGING PEDALS ATE VERSION 22 mm	SEK260.02
8	6620110	BRAKE UNION 3/8 UNF MALE BRAKE MASTER CYLINDER STANDING PEDALS	SEK32.61
9	6770640	BRAKE UNION 7/16" UNF FEEDER LINE STANDING PEDALS	SEK68.82
10	6740200	BRAKE PRESSURE REG. SYSTEM ATE	SEK2,740.04
10	6740210	BRAKE PRESSURE REG. TYPE ATE GIULIA, GT BERTONE, SPIDER 1. SERIES, MONTREAL	SEK2,622.24



1	6771040	BRAKE FLUID RESERVOIR SERIES 1	SEK909.51
2	6770610	BRAKE FLUID RESERVOIR, STANDING PEDALS, HYD. CLUTCH	SEK827.78
3	6771110	BRAKE FLUID RESERVOIR FOR MASTER BRAKE CYLINDER HANGING PEDALS, 3 CAPS	SEK1,504.05
4	6771030	RUBBER INSERT BRAKE FLUID RESERVOIR SERIES 1	SEK231.99
5	6771120	CAP BRAKE FLUID RESERVOIR, HANGING PEDALS	SEK149.30
6	6770570	BRAKE FLUID RESERVOIR SEAL ATE	SEK61.74

1	6710230	BRAKE BOOSTER 1300/1600 STANDING PEDALS, SYSTEM BONALDI	SEK3,369.68
1	9302550	STICKER BONALDI / CREMA FOR BRAKE BOOSTER, SILVER	SEK75.76
1	6710270	BRAKE BOOSTER 1300-1600 STANDING PEDALS, BONALDI 1416861	SEK4,732.62
2	6710310	BRAKE BOOSTER 1750 STANDING PEDALS, SYSTEM LOCKHEED	SEK4,652.15
3	6710250	BRAKE BOOSTER 1300-2000 SYSTEM ATE, HANGING PEDALS	SEK2,740.04
3	6710260	BRAKE BOOSTER 1300-2000 SYSTEM ATE, HANGING PEDALS BENDITALIA ORIGINAL	SEK4,419.05
4	6711050	REPAIR KIT SMALL FOR BONALDI BRAKE BOOSTER	SEK1,504.05
5	6711060	REPAIR KIT FOR MEMBRANE BRAKE BOOSTER BONALDI	SEK1,690.67
6	6770430	VACUUM HOSE BRAKE BOOSTER	SEK220.34

1	6750170	BRAKE LINE SET FOR GIULIA WITH HANGING PEDEALS	SEK804.47
2	6620860	BRAKE LINE BRAKE CALIPER SET 1300/1600 FRONT	SEK184.26
2	6620870	BRAKE LINE BRAKE CALIPER SET 1750/2000 FRONT	SEK184.26
3	6760210	BRAKE HOSE FRONT 750/101/105/106/ MONTREAL	SEK230.88
4	6760220	BRAKE HOSE REAR 750/101/105/ MONTREAL	SEK255.30
5	6770190	3 WAY BRAKE UNION REAR AXLE	SEK343.96
6	6770600	COUNTER NUT BRAKE HOSE	SEK22.20
7	6740200	BRAKE PRESSURE REG. SYSTEM ATE	SEK2,740.04
7	6740210	BRAKE PRESSURE REG. TYPE ATE GIULIA, GT BERTONE, SPIDER 1. SERIES, MONTREAL	SEK2,622.24
7	6740220	BRAKE PRESSURE REG. BONALDI GIULIA, SPIDER; GT BERTONE; ALFETTA GTV4 (116) UNTIL 1984	SEK1,572.87
8	6780010	SET (2) FRONT BRAKE LINE BRACKET	SEK496.73
9	6750100	BRAKE LINE CONNECOTR M10x1, SW14	SEK103.79

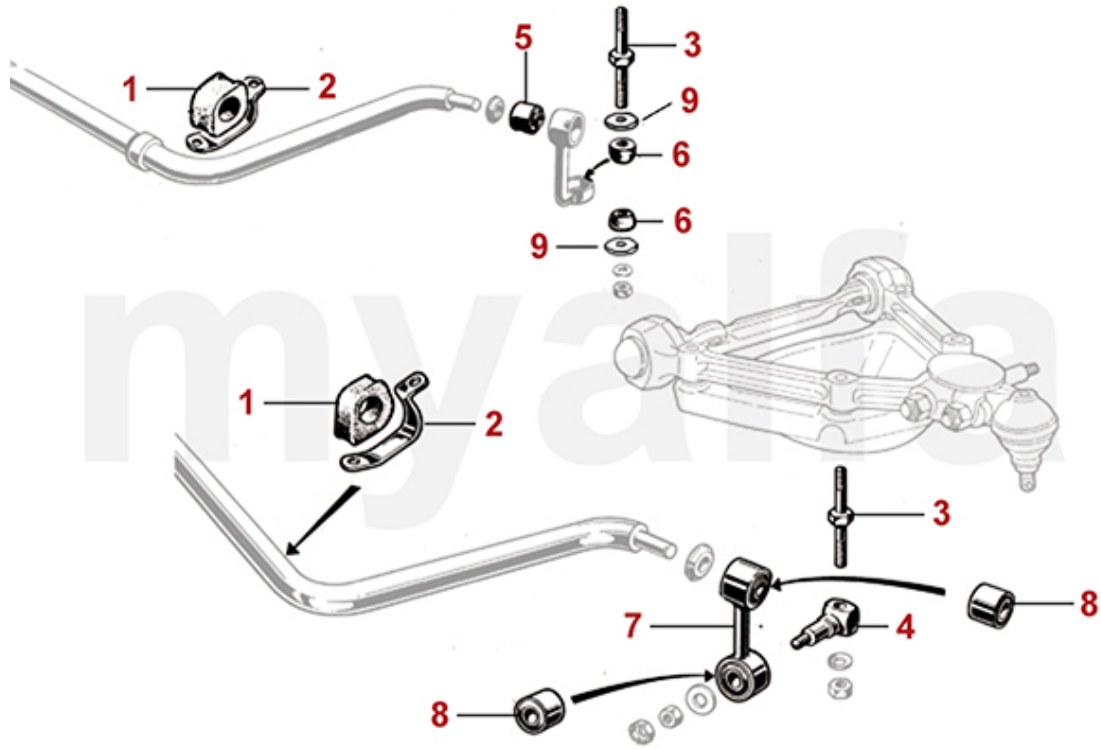
1	6610291	BRAKE CALIPER 1300-1600 1964-85 FRONT LEFT, SYSTEM ATE	SEK1,853.84
1	6610292	BRAKE CALIPER 1300-1600 1964-85 FRONT RIGHT, SYSTEM ATE	SEK1,853.84
1	6610301	BRAKE CALIPER 1750-2000, 1600 1986-93 SYSTEM ATE, FRONT LEFT	SEK1,853.84
1	6610302	BRAKE CALIPER 1750-2000, 1600 1986-93 SYSTEM ATE, FRONT RIGHT	SEK1,853.84
2	6610511	BRAKE CALIPER 1300-2000 SYSTEM ATE, REAR LEFT	SEK1,853.84
2	6610512	BRAKE CALIPER 1300-2000 SYSTEM ATE, REAR RIGHT	SEK1,853.84
3	6730771	WHEEL BRAKE CYLINDER 1300/1600 SYSTEM DUNLOP, REAR LEFT	SEK1,037.71
3	6730772	WHEEL BRAKE CYLINDER 1300/1600 SYSTEM DUNLOP, REAR RIGHT	SEK1,037.71
4	6621080	REPAIR KIT BRAKE CALIPERS FRONT DUNLOP	SEK687.92
5	6770370	BRAKE CALIPER REBUILD KIT FRONT ATE	SEK263.49
5	6770360	BRAKE CALIPER REBUILD KIT FRONT ATE PREMIUM	SEK255.30
6	6770380	BRAKE CALIPER REBUILD KIT 1964-66 ATE (30 mm), PREMIUM	SEK687.92
6	6770420	BRAKE CALIPER REBUILD KIT 1967-93 REAR ATE, 38mm PISTONS	SEK277.50
6	6770410	BRAKE CALIPER REBUILD KIT REAR 1967-93 ATE, 38mm PISTONS, PREMIUM	SEK255.30
7	6770750	STEEL SPRING CLIP DUST SEAL FRONT BRAKE CALIPER	SEK32.61
8	6770740	STEEL SPRING CLIP DUST SEAL REAR BRAKE CALIPER 38 mm PISTON	SEK32.61
9	6730810	BRAKE PISTON 1300-1600 SYSTEM DUNLOP, FRONT - 105	SEK1,107.64
10	6730820	REPAIR KIT BRAKE CALIPERS 1300-1600 SYSTEM DUNLOP, FRONT - 105	SEK6,051.30
10	6770450	FRONT BRAKE CALIPER REBUILD KIT WITH PISTONS, SYSTEM ATE, FOR ONE CALIPER	SEK553.89
10	6770460	REAR BRAKE CALIPER REBUILD KIT WITH PISTONS, SYSTEM ATE 38mm, FOR ONE CALIPER	SEK571.37
11	6620550	BLEEDER SCREW BRAKE CALIPER 1300/1600 FRONT/ 1300-2000 REAR, SYSTEM ATE	SEK91.58
12	6620530	BLEEDER SCREW BRAKE CALIPER 1750/2000 FRONT, SYSTEM ATE	SEK89.77
13	6770540	CAP BLEEDER SCREW	SEK18.04
14	6730850	LOCK SPRING ADJUSTMENT SCREW DUNLOP REAR	SEK220.34
15	6730840	RUBBER BOOT FOR ADJUSTMENT ROD DUNLOP REAR	SEK198.27
16	6730860	DUNLOP CALIPER RETURN SPRING REAR	SEK225.05
17	6730830	LOCKTAP SET BRAKE CALIPER DUNLOP FRONT	SEK250.72

1	6400100	SET BRAKE SHOES 4 PIECES	SEK460.51
2	6500730	HANDBRAKE SHOE RETAINING PIN	SEK54.81
3	6500760	HANDBRAKE SHOE RETAINING SPRING / SOFT TOP CABLE	SEK28.03
4	6810810	COUNTERPLATE FOR RETAINING PIN	SEK103.79
5	6500820	HANDBRAKE ADJUSTOR	SEK460.51
6	6500840	HANDBRAKE SHOE SPRING LONG	SEK75.20
7	6500850	HANDBRAKE SHOE SPRING SHORT	SEK54.81
8	6810470	HANDBRAKE SHOE OPERATOR LEVER	SEK396.41
9	6810010	SET HANDBRAKE PAWL END PIECE /HANDBRAKE RATCHET	SEK221.58
10	1760490	HANDBRAKE GRIP 1962-86 BLACK	SEK378.93
10	1760450	HANDBRAKE GRIP 1986-93 BLACK	SEK465.23
11	6800410	MAIN HANDBRAKE CABLE BERLINA	SEK687.92
11	6800110	MAIN HANDBRAKE CABLE GIULIA Mittelhandbremse	SEK693.75
11	6800400	HAND BRAKE CABLE GIULIA 1964-69	SEK1,211.43
12	6800151	REAR HANDBRAKE CABLE ATE BRAKE, 1967-93 LEFT	SEK138.75
12	6800141	REAR HANDBRAKE CABLE DUNLOP BRAKE, 1964-67 LEFT	SEK756.74
13	6800152	REAR HANDBRAKE CABLE ATE BRAKE, 1967-93 RIGHT	SEK138.75
13	6800142	REAR HANDBRAKE CABLE DUNLOP BRAKE, 1964-67 RIGHT	SEK756.74
14	6501330	FORK FIXTURE FOR HANDBRAKE LEVER	SEK110.72

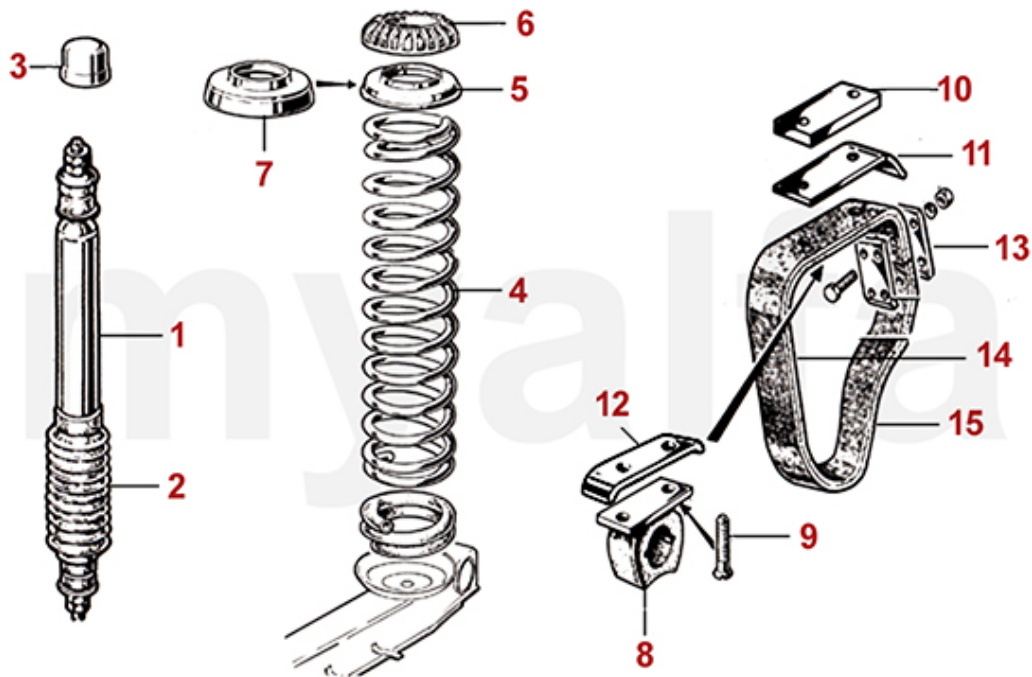
1	5120050	SHOCK ABSORBER FRONT BILSTEIN GAS PRESSURE	SEK1,737.29
1	5121490	SHOCK ABSORBER FRONT KONI YELLOW ADJUSTABLE	SEK1,514.60
1	5120030	SHOCK ABSORBER FRONT KONI RED ADJUSTABLE	SEK1,502.94
1	5110010	SHOCK ABSORBER FRONT	SEK815.02
2	5190050	DUST CAPS FOR SHOCK ABSORBERS (SET FOR ONE CAR) 105/115	SEK1,154.26
3	5190040	SET FRONT LOWER SHOCK ABSORBERRUBBERS 105/115	SEK105.03
4	5140080	SPRING 1969-93 FRONT	SEK1,037.71
5	5180170	METAL SEAT FRONT SPRING UPPER / LOWER	SEK110.72
6	5180160	RUBBER SEAT FRONT SPRING UPPER / LOWER	SEK110.72
7	5181690	SPACER FRONT SPRING 10 mm	SEK338.13
7	5180180	FRONT SPRING SPACER ALUMINIUM 6 mm	SEK326.48
8	5180131	SPRING PAN LEFT SHALLOW 1986-93	SEK571.37
8	5180132	FRONT SPRING PAN DEEP RIGHT 1986-93	SEK571.37
9	5331170	FRONT WISHBONE ARM USED	On request
10	5331180	REAR WISHBONE ARM USED	On request
11	5191200	SCREW SPRING PAN	SEK38.43
12	5191210	NUT SPRING PAN SCREW	SEK23.31
13	5330230	BOTTOM BALL JOINT	SEK413.89
14	2280170	SCREW BALL JOINT HIGH STRENGTH	SEK75.76
15	5191240	SAFETY NUT BOTTOM BALL JOINT	On request
16	5521191	BUMP STOP PLATE LEFT	On request
16	5521192	BUMP STOP PLATE RIGHT	On request
17	5191220	BOLT SHOCK ABSORBER 105 / 115 / MONTREAL	SEK250.72
18	5451050	SELF LOCKING NUTS FOR SUSPENSION TYPE 105 - 1 SET (38 PIECES)	SEK378.93

1	5421291	AXLE LEG 1750/2000, 1600 1986-93 LEFT	On request
1	5421292	AXLE LEG 1750/2000, 1600 1986-93 RIGHT	On request
3	5521311	STEERING ARM LEFT	On request
3	5521312	STEERING ARM RIGHT	On request
4	5440280	WHEEL BEARING KIT FRONT 101/105/115	SEK628.40
4	5440200	INNER WHEEL BEARING SKF 1900/750/101/105/115	SEK262.38
4	5440300	OUTER FRONT WHEEL BEARING SKF 101/105/115	SEK454.68
5	2330290	OIL SEAL WHEEL BEARING FRONT	SEK127.10
6	5461000	THRUST WASHER FRONT WHEEL BEARING	On request
7	5461012	CROWN NUT WHEEL BEARING RIGHT	SEK181.90
7	5461011	CROWN NUT WHEEL BEARING LEFT	SEK181.90
8	5190990	GREASE CAP FRONT WHEEL BEARING	SEK80.48
9	5440290	COTTER PIN FRONT WHEEL BEARING	SEK5.27
10	5431300	FRONT WHEEL HUB	On request
11	5740831	FRONT WHEEL STUD LEFT HAND THREAD	SEK80.48
11	5740832	FRONT WHEEL STUD RIGHT HAND THREAD	SEK54.81

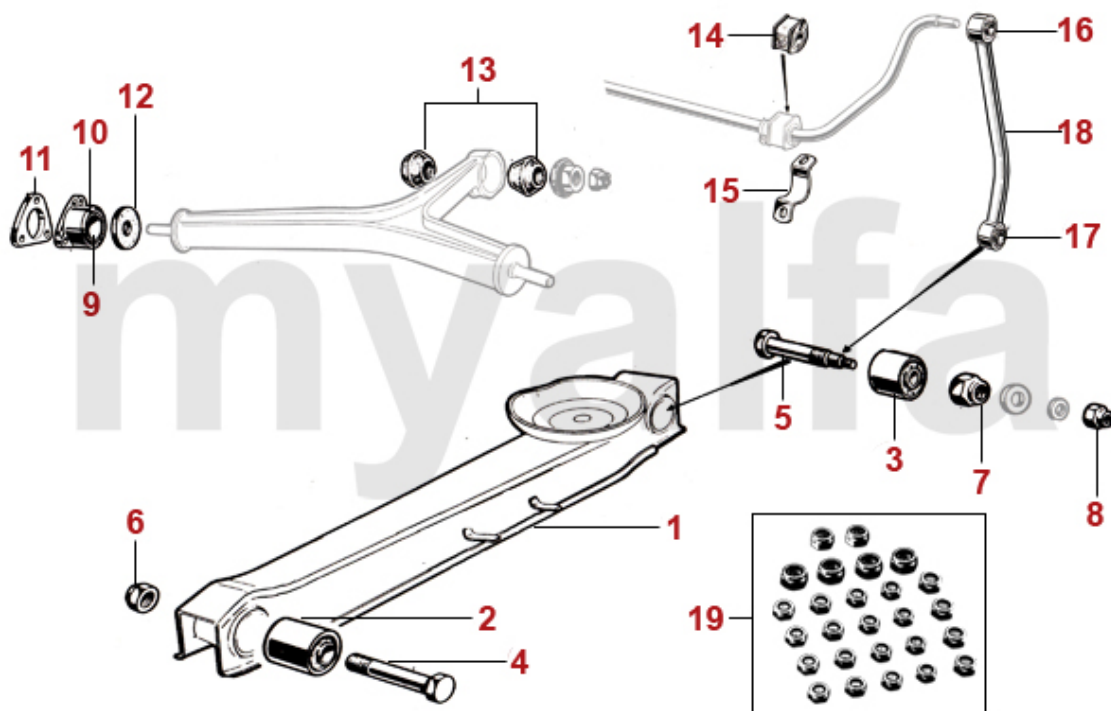
1	5340220	CASTOR ARM BALL JOINT	SEK395.30
2	5340200	CASTOR ARM WITHOUT BALL JOINT	SEK418.61
3	5330191	TOP SUSPENSION ARM LEFT WITH BUSHINGS WITHOUT CAP CASTOR ARM BUSH	SEK1,048.26
3	5330181	TOP SUSPENSION ARM LEFT GIULIA TI UP TO VIN: 645000 GTJ 1300 UP TO VIN: 862000	SEK1,183.40
3	5330192	TOP SUSPENSION ARM RIGHT WITH BUSHINGS WITHOUT CAP CASTOR ARM BUSH	SEK1,048.26
3	5330182	TOP SUSPENSION ARM RIGHT GIULIA TI UP TO VIN: 645000 GTJ 1300 UP TO VIN: 862000	SEK1,183.40
4	5331651	ADJUSTABLE TOP ARM LEFT WITH BUSHINGS WITHOUT CAP CASTOR ARM BUSH	SEK1,778.08
4	5331652	ADJUSTABLE TOP ARM RIGHT WITH BUSHINGS WITHOUT CAP CASTOR ARM BUSH	SEK1,778.08
5	5350200	TOP ARM INNER BUSH	SEK138.75
6	5340640	CASTOR ARM BUSH 19 mm HIGH	SEK104.90
6	5340210	CASTOR ARM BUSH 23 mm HIGH	SEK135.28
7	5350460	SPACER (SET) FOR CASTOR ARM BUSH 19mm	SEK92.13
8	5350240	BOTTOM WISHBONE BUSH	SEK520.04
9	5191150	TAB WASHER BOTTOM WISHBONE BUSH	SEK57.17
10	5190680	WISHBONE BUSH END CAP	SEK80.48
11	5190260	UPPER BUMP STOP 1969-93	SEK103.79
11	5190560	SET UPPER BUMP STOP FRONT 1962-68	SEK600.51
12	5190580	LOWER BUMP STOP FRONT WITH BOLT	SEK197.03
13	5521191	BUMP STOP PLATE LEFT	On request
13	5521192	BUMP STOP PLATE RIGHT	On request
14	5331120	WISHBONE USED	On request
15	5330230	BOTTOM BALL JOINT	SEK413.89
16	5350650	OE.60701972 HEX CASTLE NUT M12x1.5 SUSPENSION, STEERING	SEK33.86
17	5351230	OUTER SCREW BOTTOM BALL JOINT	SEK45.51



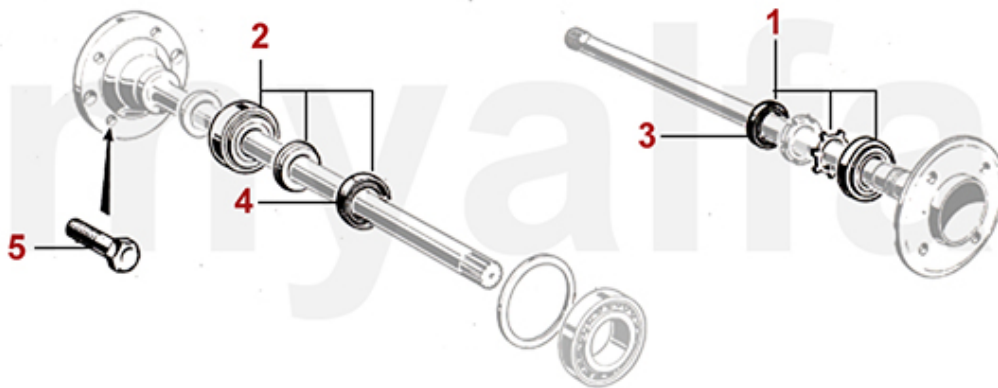
1	5240380	ANTI-ROLL BAR RUBBER FRONT SET (2) 105, 102 20000, 106 2600	SEK150.41
2	5240390	BRACKET FRONT ANTI ROLL BAR RUBBER	SEK101.98
3	5190930	BOLT SPRING (HIGH-STRENGTH STEEL) PAN / DROP LINK 1969-86	SEK314.27
3	5190940	BOLT SPRING PAN / DROP LINK 105	SEK220.34
4	5191360	SPRING PAN TO DROP LINK BOLT 1968-86	SEK278.61
5	5240430	REAR DROP LINK UPPER BUSH	SEK115.44
6	5240950	FRONT LOWER ANTI-ROLL BAR BUSH - 750/101/105 1ST SERIES	SEK72.84
7	5211350	FRONT ANTI ROLL BAR DROP LINK WITH BUSHINGS 1968-86	SEK332.31
8	5240370	FRONT UPPER ANTI ROLL BAR DROP LINK BUSH 30 mm	SEK115.44
8	5240880	FRONT UPPER/LOWER ANTI ROLL BAR DROP LINK BUSH 33 mm,	SEK138.75
8	5240010	FRONT ANTI ROLL BAR DROP LINK BUSH - 105/115 LOWER 1968>, 1900/102/106 - OUTER DIAMETER 30.20mm // INNER DIAMETER 14.10mm	SEK114.89
9	5240330	WASHER SET FOR ANTI-ROLL-BAR DROP LINK - 750/101/105 1ST SERIES	SEK571.37



1	5120060	SHOCK ABSORBER REAR BILSTEIN GAS PRESSURE	SEK1,737.29
1	5121500	SHOCK ABSORBER REAR KONI YELLOW ADJUSTABLE	SEK1,514.60
1	5120040	SHOCK ABSORBER REAR KONI RED ADJUSTABLE	SEK1,502.94
1	5110020	SHOCK ABSORBER REAR	SEK815.02
1	4540450	REAR REBOUND STRAP SET (2PC) ORIGINAL MATERIAL, 45mm	SEK757.85
2	5190050	DUST CAPS FOR SHOCK ABSORBERS (SET FOR ONE CAR) 105/115	SEK1,154.26
3	5191700	SET UPPER CAP REAR SHOCK ABSORBER (2 pc)	SEK599.26
4	5140500	SPRING GIULIA, SPIDER 1988-93 REAR	SEK986.37
5	5180470	UPPER METAL SEAT REAR SPRING	SEK138.75
6	5181030	SPACER REAR SPRING 11mm	SEK760.21
6	5181040	SPACER REAR SPRING 16mm	SEK760.21
6	5180140	UPPER RUBBER SEAT REAR SPRING	SEK115.44
7	5181050	SPACER REAR SPRING 21mm	SEK921.16
8	5190270	UPPER BUMP STOP REAR AXLE VERSION FOR 31mm REBOUND STRAP	SEK173.72
8	5190290	UPPER BUMP STOP REAR AXLE VERSION FOR 45mm REBOUND STRAP	SEK437.20
9	5190590	SCREW REAR UPPER BUMP STOP	SEK28.03
10	5190870	Bump Stop Spacer	SEK476.88
10	5190880	SPACER REAR UPPER BUMP STOP HEIGHT 10mm	SEK476.88
11	5190030	REBOUND STRAP GUIDE PANEL UNDER UPPER STOP REAR AXLE ONE BENDED END	SEK143.47
12	5190540	REBOUND STRAP GUIDE PANEL UNDER UPPER BUMP STOP REAR AXLE TWO BENDED ENDS	SEK150.41
13	5190530	FITTING KIT FOR ONE REBOUND STRAP 31 mm	SEK150.41
14	4540350	REBOUND STRAP REAR 45 mm	SEK271.67
14	4540361	OUTER REBOUND STRAP REAR 31 mm	SEK145.69
14	4541050	REAR REBOUND STRAP SET (4PC) ORIGINAL MATERIAL	SEK1,037.71
15	4540362	INNER REBOUND STRAP REAR 31 mm	SEK145.69



1	5320310	REAR TRAILING ARM 1968-93, WITHOUT BUSHINGS	SEK1,375.85
2	5341540	FRONT TRAILING ARM BUSH 1962-68, DIAMETER 36 mm	SEK324.12
2	5340320	FRONT TRAILING ARM BUSH 1968-93, DIAMETER 50 mm	SEK219.23
2	5341090	FRONT TRAILING ARM BUSH 1968-93, DIAMETER 50 mm HEAVY DUTY	SEK299.70
3	5340330	REAR TRAILING ARM BUSH 1962-93	SEK219.23
3	5341100	REAR TRAILING ARM BUSH 1962-93, HEAVY DUTY	SEK299.70
4	5190910	FRONT SCREW TRAILING ARM	SEK80.48
5	5350920	BOLT FOR REAR OF TRAILING ARM	SEK250.72
6	5190650	SAFETY NUT FRONT SCREW TRAILING ARM	SEK45.51
7	5350660	BIG SAFETY NUT FOR TRAILING ARM BOLT	SEK50.09
8	5350670	SMALL SAFETY NUT FOR TRAILING ARM BOLT	SEK19.29
9	5350551	T-BAR END BUSH	SEK348.68
10	5350552	T-BAR END BUSH HOUSING	SEK454.68
11	5351860	T-BAR SPACER 2 mm	On request
12	5350970	T-BAR END RUBBER WASHER RUBBER	SEK61.74
13	5350450	T-BAR CONICAL BUSH	SEK48.98
13	5351460	T-BAR CONICAL BUSH HEAVY DUTY	SEK92.69
14	5240420	ANTI-ROLL BAR RUBBER REAR SET (2) 105, 115	SEK162.06
15	5240440	BRACKET REAR ANTI ROLL BAR REAR	SEK162.06
16	5240410	REAR DROP LINK UPPER BUSH	SEK115.44
17	5240400	REAR DROP LINK LOWER BUSH	SEK125.99
18	5231390	REAR ANTI ROLL BAR DROP LINK INCL. BUSHINGS	SEK804.47
19	5451050	SELF LOCKING NUTS FOR SUSPENSION TYPE 105 - 1 SET (38 PIECES)	SEK378.93



1	5441550	WHEEL BEARING KIT REAR 1964-72 WITH TAB WASHER	SEK809.19
2	5441560	WHEEL BEARING KIT REAR 1972-93 WITH SHRINK RING	SEK738.01
2	5441570	SKF WHEEL BEARING SET 1972-93	SEK1,340.88
3	2330270	OIL SEAL WHEEL BEARING REAR 750/101, 105 1300-1750 1962-72 52/30/10	SEK170.25
4	2330280	OIL SEAL WHEEL BEARING REAR 1300-2000 1972-93 52/34/10	SEK110.72
5	5740862	WHEEL STUD RIGHT HAND THREAD 105 REAR UP TO 1972, 750/101/102/106 REAR AND FRONT	SEK170.25
5	5740850	REAR WHEEL BOLT RIGHT HAND THREAD FROM YEAR 1972 105/115	SEK74.65

1	5740981	WHEEL NUT STEEL WHEEL OPEN END LEFT HAND THREAD	SEK69.10
1	5740982	WHEEL NUT STEEL WHEEL OPEN END RIGHT HAND THREAD	SEK64.10
1	5740971	WHEEL NUT BRASS 22mm OPEN LEFT HAND THREAD, TAPERED FLANGE	SEK92.13
1	5740972	WHEEL NUT BRASS 22mm OPEN RIGHT HAND THREAD, TAPERED FLANGE	SEK87.41
2	5740842	WHEEL NUT STANDARD 2000 RIGHT HAND THREAD	SEK64.10
3	5741481	WHEEL NUT STANDARD 2000 CHROMED, LEFT HAND THREAD	SEK103.79
3	5741482	WHEEL NUT STANDARD 2000 CHROMED, RIGHT HAND THREAD	SEK99.07
4	5740942	WHEEL NUT ALUMINIUM WHEEL HIGH GLOSS CHROMED, RIGHT HAND THREAD	SEK45.37
4	5740941	WHEEL NUT ALUMINIUM WHEEL HIGH GLOSS CHROMED, LEFT HAND THREAD	SEK45.37
5	5741951	WHEEL NUT CROMODORA ALUMINIUM WHEEL LEFT HAND THREAD	SEK80.48
5	5741952	WHEEL NUT ALUMINIUM WHEEL CROMODORA RIGHT HAND THREAD	SEK75.76
6	5741710	LOCK SET ALUMINIUM WHEEL RIGHT HAND THREAD	SEK451.22



1	5742620	WHEEL SPACERS 2x5mm	SEK687.92
2	5742630	WHEEL SPACERS 2x8mm	SEK804.47
3	5742000	WHEEL SPACERS 2x10mm, STEEL WHEELS ONLY	SEK921.16
4	5741980	WHEEL SPACERS 2x20mm	SEK2,203.63
5	5741990	WHEEL SPACERS 2x30mm	SEK2,553.42

0	5710010	STEEL WHEEL 5.5x14, ET24, (BIG HUBCAP)	SEK1,504.05
0	5710030	STEEL WHEEL 5.5x14, ET24, (SMALL HUBCAP)	SEK1,504.05
1	5722750	ALUMINIUM WHEEL TZ STYLE 5.5x15, OFFSET 35	SEK3,031.55
2	5722340	ALUMINIUM WHEEL 6x14, ET 30 GIULIA / BERLINA CROMODORA WITH NUTS AND CENTRE BADGE	SEK3,136.44
3	5722610	ALUMINIUM WHEEL GTA STYLE, 6x14, OFFSET 30	SEK2,506.80
4	5722640	ALUMINUM WHEEL GTA STYLE 6x15 OFFSET 28,5	SEK2,740.04
5	5723330	ALUMINIUM WHEEL 7x15, ET 35 GTA REPLICIA GIULIA / GT BERTONE WITH CENTRE BADGE, WITHOUT WHEEL NUTS	On request
6	9202180	SET VALVE CAPS WITH ALFA ROMEO BADGE	SEK266.96
7	5741710	LOCK SET ALUMINIUM WHEEL RIGHT HAND THREAD	SEK451.22



1	5731090	HUBCAP SERIES 1 EMBOSSED BADGE	SEK1,037.71
2	5731100	HUBCAP SERIES 1 SMALL CIRCLE (PUSH ON)	SEK804.47
3	5730190	HUBCAP SERIES 1 LARGE RING	SEK571.37
4	5731180	HUBCAP SERIES 2 EMBOSSED BADGE "POLISHED"	SEK454.68
5	5730200	HUBCAP SERIES 2 WITH CENTRE BADGE "POLISHED"	SEK571.37
6	5730300	HUBCAP RETAINING CLIP	SEK54.81

1	5510310	STEERING BOX CASING BURMAN	SEK7,683.70
1	55120938	STEERING BOX BURMAN MODELS WITH UMBRELLA HANDBRAKE	SEK8,733.06
2	5510030	STEERING GEAR REPAIR	SEK18,597.22
3	5510330	BALL STEERING BOX BURMAN	SEK34.97
4	5510350	HALF MOON SEAL FOR STEERING ROD	SEK92.13
5	1770310	LOCKING TAB STEERING WHEEL UNTIL 1985	SEK57.17
6	1770320	NUT STEERING WHEEL - 1900, 750/101, 102/106, 105/ 115 UNTIL 1985	SEK204.10
7	2334000	GASKET SET FOR BURMAN STEERING BOX	SEK220.34
8	2330210	OIL SEAL STEERING BOX BURMANN 28 x 40 x 7mm	SEK237.82
8	2331210	O-RING FOR BURMAN STEERING BOX SERIES 1	SEK52.45
9	2330170	OIL SEAL STEERING BOX ZF	SEK262.38
10	5560350	STEERING IDLER BOX 105/115 (LEFT HAND STEERING)	SEK2,786.66
11	5560080	REPAIR KIT STEERING IDLER	SEK581.78
12	5560260	STEERING IDLER CAP AND CLAMP	SEK197.03

1	5540181	INNER TRACK ROD END LEFT HAND THREAD LEMFÖRDER	SEK489.65
1	5540041	INNER TRACK ROD END LEFT HAND THREAD	SEK208.68
2	5540182	INNER TRACK ROD END RIGHT HAND THREAD LEMFÖRDER	On request
2	5540042	INNER TRACK ROD END RIGHT HAND THREAD	SEK208.68
3	5540331	OUTER TRACK ROD END LEFT HAND THREAD LEMFÖRDER	On request
3	5540061	OUTER TRACK ROD END LEFT HAND THREAD	SEK227.41
4	5540332	OUTER TRACK ROD END RIGHT HAND THREAD LEMFÖRDER	On request
4	5540062	OUTER TRACK ROD END RIGHT HAND THREAD	SEK227.41
5	5540030	INNER TRACK ROD	SEK460.51
6	5540090	OUTER TRACK ROD	SEK314.27
7	5540111	COUNTER NUT TRACK ROD LEFT HAND THREAD	SEK29.14
8	5540112	COUNTER NUT TRACK ROD RIGHT HAND THREAD	SEK29.14
9	5560281	STEERING BUMP STOP LEFT	On request
9	5560282	STEERING BUMP STOP RIGHT	On request



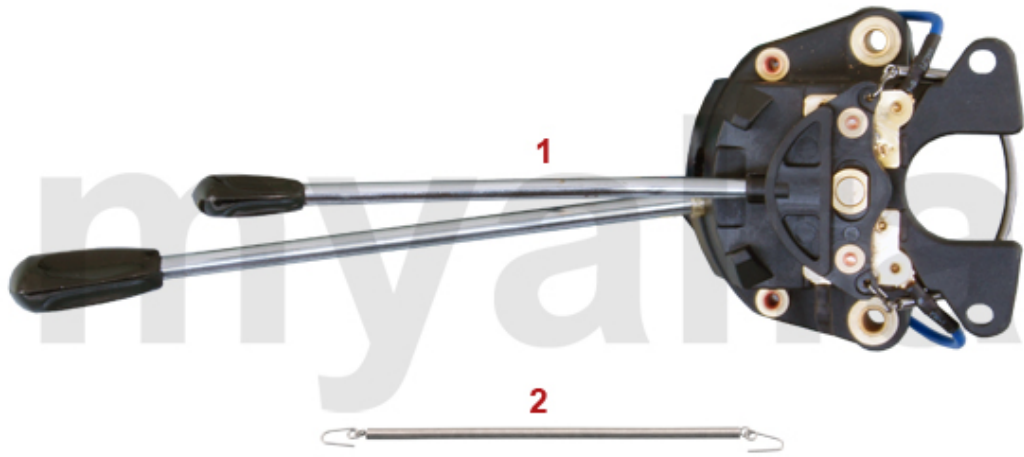
1	8160010	REDOR ARM 123 DISTRIBUTOR	SEK290.96
2	8131790	DISTRIBUTOR 123 ADJUSTABLE WITHOUT VACUUM ADVANCE	SEK4,372.43
2	8131800	DISTRIBUTOR 123 ADJUSTABLE WITH VACUUM ADVANCE	SEK4,722.22
2	8131820	123 DISTRIBUTOR PROGRAMABLE VIA USB WITH VACUUM ADVANCE	SEK5,351.73
2	8131830	123 DISTRIBUTOR PROGRAMABLE VIA BLUETOOTH WITH VACUUM ADVANCE	SEK5,362.27
3	8150100	PERTRONIX IGNITOR SET BOSCH DISTRIBUTOR 1 PIECE POINT	SEK2,190.86
3	8150110	IGNITOR FOR MARELLI DISTRIBUTOR	SEK2,850.76
4	8131770	PERFORMANCE IGNITION KIT WITHOUT POINT WITH HD COIL	On request



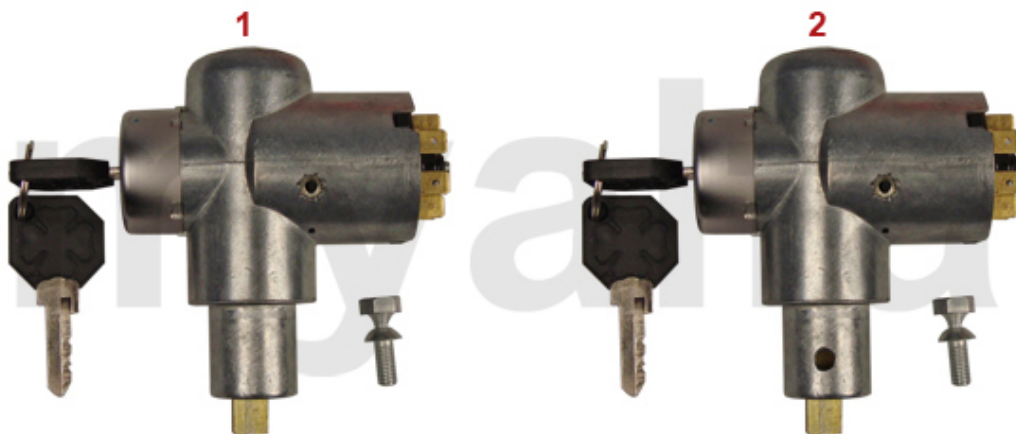
1	8150030	POINTS MARELLI	SEK109.61
2	8170050	DISTRIBUTOR CAP MARELLI, FOR IGNITION WITH POINTS	SEK278.61
3	8160070	ROTOR ARM MARELLI DISTRIBUTOR, WITH POINTS	SEK138.75
4	8150740	CONDENSER MARELLI DISTRIBUTOR	SEK149.30



1	8151550	IGNITION POINTS FOR BOSCH, 2 PIECES, 105 1963-68, 101, 106, 1900	SEK197.58
2	8150620	POINTS 1962-68 BOSCH, 2 PIECES	SEK170.25
3	8150280	POINTS 1968-89 BOSCH	SEK109.61
4	8170310	DISTRIBUTOR CAP 1962-74 BOSCH, WITH SEMI CIRCLE CUT OUT	SEK185.37
5	8170320	DISTRIBUTOR CAP 1974-93 BOSCH, NO CUT OUT	SEK138.75
6	8161060	DISTRIBUTOR ROTOR ARM, FOR BOSCH SCREWED VERSION	SEK348.68
7	8160360	ROTOR ARM BOSCH, DISTRIBUTOR WITH POINTS, PLUGGED VERSION	SEK127.10
8	8150790	CONDENSER 1962-68 BOSCH DISTRIBUTOR	SEK127.10
9	8151480	CONDENSER 1968-74 BOSCH DISTRIBUTOR, ROUND FITTING PLUG	SEK99.07
9	8150750	CONDENSER 1968-74 ORIGINAL BOSCH ROUND GROMMET	SEK138.75
10	8150730	CONDENSER 1974-93 BOSCH DISTRIBUTOR, SQUARE FITTING PLUG	SEK99.07
10	8150760	CONDENSER FROM 1974 ON ORIGINAL BOSCH RECTANGULAR GROMMET	SEK138.75



1	8411510	COLUMN SWITCH 1962-80 2 HEADLIGHTS MODELS	SEK2,786.66
1	8410310	COLUMN SWITCH 1967-77 4 HEADLIGHT MODELS	SEK2,786.66
2	8431320	INDICATOR RETURN SPRING	SEK92.13



1 8110080 **IGNITION SWITCH RIGHT SIDE OF STEERING WHEEL**

SEK1,620.74

2 8110100 **IGNITION SWITCH LEFT SIDE OF STEERING WHEEL**

SEK1,620.74

1	8181620	HT LEADS 5mm CARBURETTOR MODELS, GREEN	SEK687.92
1	8180460	HT LEADS 7mm CARBURETTOR MODELS, RED	SEK460.51
1	8180450	HT LEADS 7mm CARBURETTOR MODELS, BLACK	SEK553.89
1	8180470	HT LEADS 7mm CARBURETTOR MODELS PREMIUM QUALITY, RED	SEK570.12
1	8180480	HT LEADS 7mm CARBURETTOR MODELS PREMIUM QUALITY, GREEN	SEK553.89
1	8180490	HT LEADS 7mm CARBURATOR MODELS YELLOW, PREMIUM QUALITY	SEK571.37
2	8120420	IGNITION COIL CARBURETTOR HEAVY DUTY WITH RESISTOR	SEK1,370.02
2	8120200	IGNITION COIL CARBURETTOR STANDARD	SEK437.20
2	8120210	IGNITION COIL CARBURETTOR MODEL ORIGINAL MAGNETI MARELLI	SEK697.22
3	BA2HL	SPARK PLUG "myalfa" 2HL	SEK103.79
3	BP7ES	OE. 60512929 SPARK PLUG NGK BP7ES	SEK57.17
4	8181750	HT LEAD CLAMP FIT ON THERMOSTAT HOUSING	SEK197.03

1	82214960	STARTER MOTOR 9 TOOTH	SEK2,203.63
1	8220085	STARTER MOTOR, 8 TEETH, MADE IN GERMANY	SEK3,252.99
1	8220088	STARTER MOTOR RACING 8 TEETH - 105/(750/101)	SEK5,818.20
1	82214965	STARTER MOTOR, 9 TEETH, MADE IN GERMANY	SEK3,252.99
2	8220930	STARTER MOTOR MOUNTING BOLT	SEK92.13
3	8220900	SPACER PLATE STARTER	SEK138.75
4	8210780	ALTERNATOR 65A BUILT IN REGULATOR	SEK2,436.87
4	8210680	DYNAMO/GENERATOR EXCHANGE 25A DIRECT CURRENT 750 / 101 / 105 1.SERIES , DEPOSIT 300,00 EURO	SEK5,771.58
4	8210180	ALTERNATOR 65A EXTERNAL REGULATOR	SEK2,553.42
4	8210690	DYNAMO 50 A - 750/101/105 1ST S. - WITH INTEGRATED REGULATOR	SEK7,683.70
4	8210670	GENERATOR RACING, 40 A, 3.50 kg	SEK8,319.17
5	8210190	ALTERNATOR 45A BUILT IN REGULATOR, LIGHT WEIGHT 2.85 kg	SEK2,913.75
6	8231210	REGULATOR ELECTRICAL FOR BOSCH GENERATOR - 101/105 1st SERIES	SEK2,553.42
6	8231200	REGULATOR MECHANICAL, FOR BOSCH GENERATOR	SEK804.47
7	8230700	EXTERNAL REGULATOR ALTERNATOR 12V	SEK378.93
7	8230710	EXTERNAL REGULATOR ALTERNATOR 12V HELLA	SEK460.51
8	8231220	INTERNAL REGULATOR ALTERNATOR 55 A BOSCH	SEK208.68
9	2702140	V-BELT 9.5x725 DYNAMO GENERATOR	SEK134.03
9	2700700	V-BELT 9.5x825	SEK103.79
9	2700710	V-BELT 9,5x850	SEK104.34
9	2700690	V-BELT 10 x 813	SEK128.21

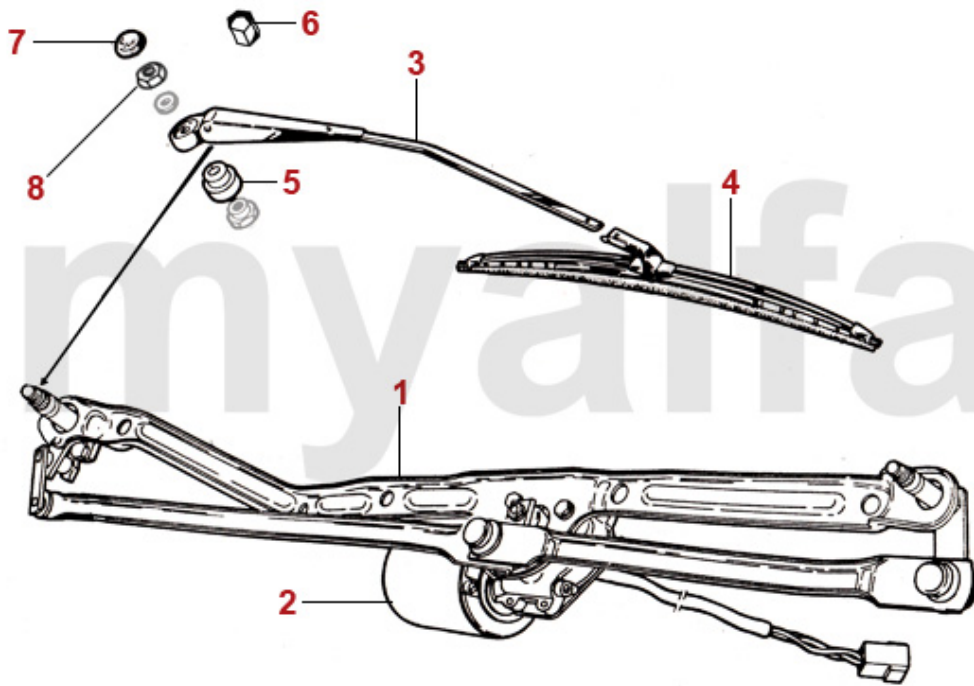
1	8701100	TERMINAL CLAMP PLUS	SEK57.17
2	8701110	TERMINAL CLAMP MINUS	SEK51.34
2	8701130	BATTERY SWITCH / MASS POLE CLAMP	SEK92.13
3	8701840	GROUND STRAP WITH TERMINAL CLAMP	SEK289.16
4	1190270	BATTERY CLAMP	SEK231.99
5	1190260	THREADED ROD (SET 2 PCS) WITH WING NUT FOR BATTERY BRACKET, STAINLESS STEEL	SEK266.96
6	1190250	BATTERY TRAY PLASTIC CARBURETTOR MODELS	SEK425.55

1	8610190	OIL PRESSURE SENDER JAEGER / VEGLIA SERIES 2	SEK558.47
1	8611330	OIL PRESSURE SENDER VEGLIA SERIES 1	SEK558.47
1	8610180	OIL PRESSURE SENDER JAEGER 1st SERIES (SHORT VERSION)	SEK641.30
2	8410390	OIL PRESSURE SWITCH	SEK180.79
3	8640630	REVERSE LIGHT SWITCH BRACKET MOUNTED	SEK326.48
4	8640150	REVERS LIGHT SWITCH SCREW-IN	SEK185.37
5	8620470	WATER TEMPERATUR SENDER	SEK231.99
5	8627510	WATER TEMPERATUR SENDER 750/101/105 1ST SERIES SINGLE CARBURETOR	SEK378.93
6	8630400	BRAKE LIGHT SWITCH HYDRAULIC AT T-CONNECTION	SEK279.86
7	8630410	BRAKE LIGHT SWITCH MECHANICAL AT BRAKE PEDAL	SEK150.41
8	1570140	LIGHT UNDER BONNET/TRUNK/ GLOVE BOX	SEK197.03
9	8410130	COURTESY LIGHT / ENGINE COMPARTMENT / TRUNK SWITCH GT BERTONE	SEK115.44

1	8410910	SWITCH INSTRUMENT LIGHTING GIULIA	SEK1,253.47
2	8410500	DASHLIGHT TOGGLE SWITCH 1300-1750	SEK454.68
3	8410930	SWITCH FOR HEATER GIULIA SINGLE-STAGE	SEK884.95
4	8410570	HEATER FAN TOGGLE SWITCH ONE POSITION	SEK687.92
5	8410560	HEATER FAN TOGGLE SWITCH TWO POSITION	SEK687.92
6	8410960	SWITCH FOR WIPER GIULIA SINGLE-STAGE	SEK884.95
7	8410950	SWITCH FOR WIPER GIULIA TWO-STAGE	SEK1,486.57
8	8410940	SWITCH FOR WIPER GIULIA SINGLE-STAGE	SEK884.95
9	8410520	WINDSCREEN WIPER TOGGLE SWITCH GT BERTONE / GIULIA	SEK687.92
10	8410870	HAZARD LIGHT SWITCH ROUND	SEK454.68
11	8430960	HAZARD UPGRADE KIT 12V HELLA	SEK1,853.84
12	1570940	WARNING LAMP BRAKEFLUID LEVEL	SEK277.50
13	8411090	HEATED REAR SCREEN SWITCH GIULIA / GT BERTONE	SEK1,037.71

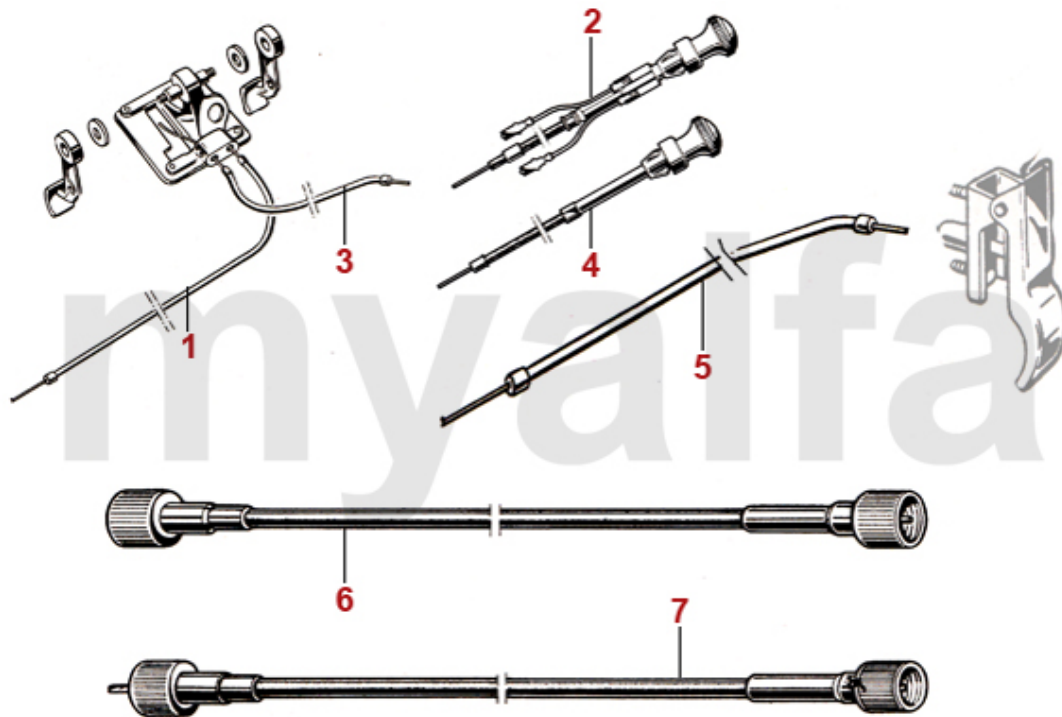
1	1570080	INDICATOR LAMP FOR INDICATOR (ONE ARROW)	SEK256.55
2	1570010	INDICATOR LAMP FOR INDICATOR	SEK256.55
3	1570020	INDICATOR LAMP RED, BRAKE	SEK256.55
4	1570030	INICATOR LAMP GREEN FOR DIMMED HEADLIGHTS	SEK256.55
5	1570040	INDICATOR LIGHT BLUE FOR FULL BEAM	SEK256.55
6	1570050	INDICATOR LAMP YELLOW FOR FOG LAMP	SEK256.55
7	1570060	CLAMP FOR DASHBOARD LAMP	SEK17.48

1	8420740	INDICATOR/FLASHER METAL RELAY 3 PIN	SEK221.58
1	8420750	INDICATOR/FLASHER PLASTIC RELAY 4 PIN	SEK230.88
2	8701120	HORN SET LOW / HIGH	SEK532.80
3	8701070	GROUND STRAP CARBURETTOR TO BODY 120 mm	SEK92.13
3	8701230	GROUND STRAP TRANSMISSION / BODY 200 mm	SEK162.06
4	8701840	GROUND STRAP WITH TERMINAL CLAMP	SEK289.16
5	8701850	CONTINENTAL FUSE SET	SEK45.51
6	8412080	FUSE BOX 105 1ST SERIES (8 FUSES)	SEK2,203.63
6	8412100	FUSE BOX - 105 1ST SERIES - 10 FUSES, INCL. BRACKET	SEK2,506.80
6	8412210	FUSE BOX 105/115 (21 CONNECTORS)	SEK3,089.82
6	8412220	FUSE BOX 105/115 (22 CONNECTORS)	SEK3,719.47
6	8412105	PLATE FUSE BOX - 105 1ST SERIES - 10 FUSES, ITALIAN/ENGLISH	SEK279.86
6	8412106	FUSE BOX UNIVERSAL - 10 FUSES	SEK408.06
6	8412108	FUSE BOX - 10 FUSES, SCREW CONNECTIONS	SEK921.16
7	8701500	ANTENNA CABLE DIN 150cm WITH SCREW CONNECTOR	SEK81.03
8	8701060	WIRING HARNESS LHD TOP MOUNTED PEDALS	SEK8,103.42

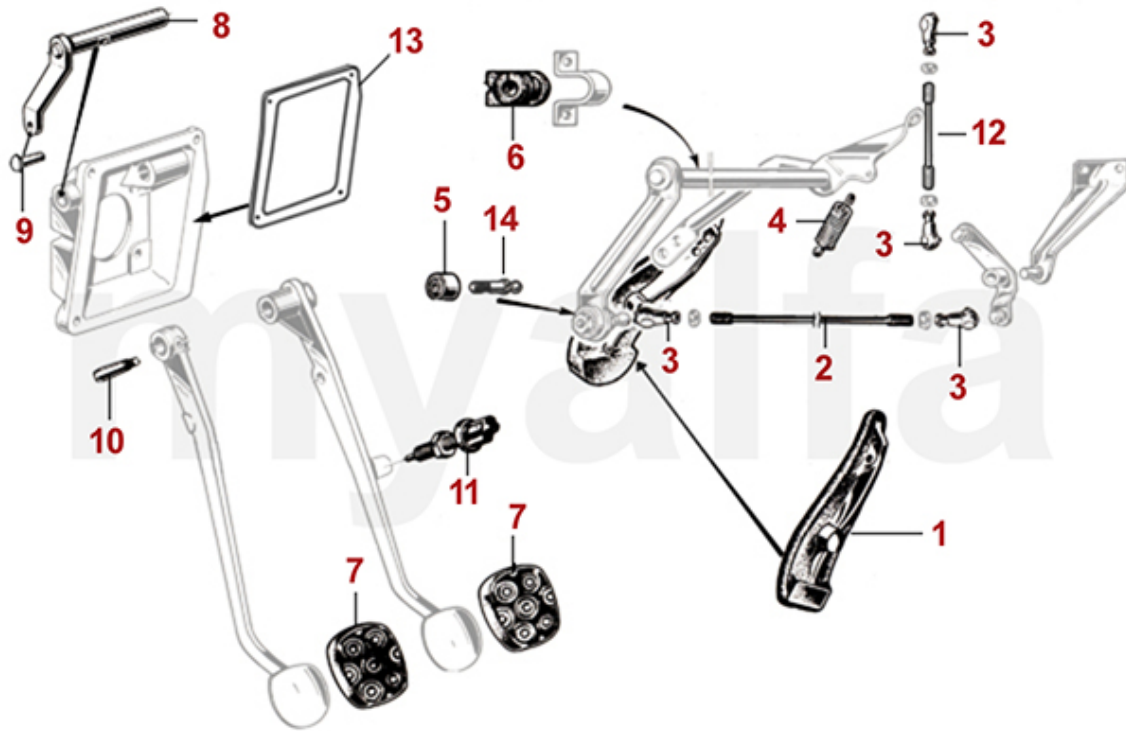


1	8840360	WIPER LINKAGE GIULIA	SEK2,320.32
2	8841110	WIPER MOTOR GIULIA / GT BERTONE 4 CONNECTIONS	SEK2,203.63
2	8840470	WIPER MOTOR GIULIA / GT BERTONE / SPIDER 1966-69 / 3 CONNECTIONS	SEK2,203.63
3	8830201	WIPER ARM GIULIA/BERLINA LEFT BAYONET END STAINLESS STEEL	SEK348.68
3	8830202	WIPER ARM GIULIA/BERLINA RIGHT BAYONET END STAINLESS STEEL	SEK348.68
4	8830040	SET WIPER BLADES GT BERTONE/ GIULIA/ BERLINA/SPIDER 1966-69 HOOK END STAINLESS STEEL	SEK441.92
4	8830030	SET WIPER BLADES GT BERTONE/GIULIA/ BERLINA/SPIDER 1966-69 BAYONET END STAINLESS STEEL	SEK418.61
4	8830120	SET WIPER BLADES GT BERTONE/GIULIA/SPIDER 1966-69 BAYONET END STAINLESS STEEL (CARELLO DESIGN)	SEK465.23
5	8830350	WIPER SPINDLE CAP GIULIA / GT BERTONE	SEK103.79
6	8830080	DOMED NUT WIPER ARM STAINLESS STEEL	SEK11.10
6	8830090	DOMED NUT WIPER ARM ORIGINAL ALUMINIUM	SEK17.48
7	8830070	CAP WIPER ARM (SET) GRAY	SEK62.99
7	8830240	WIPER SPINDLE COVER OVAL, GRAY	SEK110.72
7	8830250	WIPER SPINDLE CAP OVAL, BLACK	SEK110.72
8	8830100	NUT WIPER ARM	SEK11.10

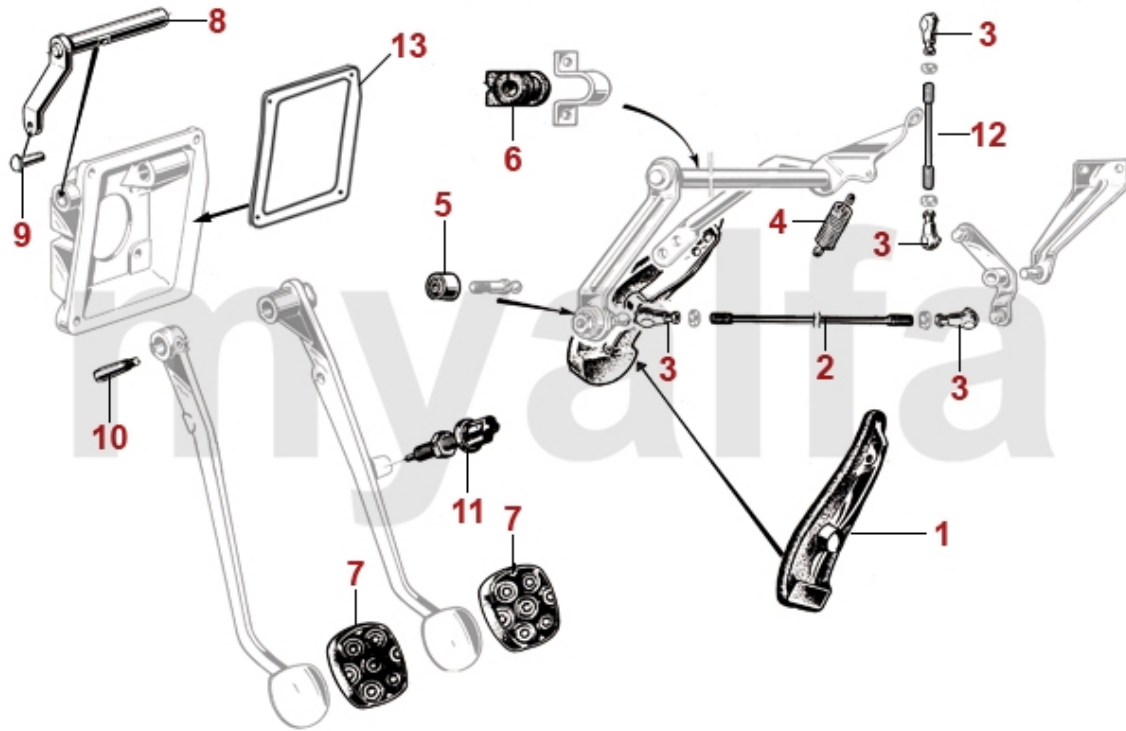
1	8810210	WINDSHIELD WASHER FOOT PUMP	SEK757.85
2	8810100	WASHER BAG FOR MECHANICAL FOOT PUMP USE	SEK220.34
2	8810190	WATER BAG FOREDIT (750/101/102/106/105)	SEK687.92
3	8810140	WASHER BAG WITH ELECTRIC PUMP	SEK402.24
4	8810120	WASHER BAG RETAINING CLIP	SEK20.40
5	8820120	WASHER HOSE 3,75 m	SEK86.30
6	8800210	SPRAY NOZZLE 2 JETS GIULIA / GT BERTONE	SEK45.51
6	8800220	SPRAY NOZZLE 2 JETS GIULIA/GT BERTONE/MONTREAL	SEK347.43
6	8800810	WASHER JET CHROME 1-JETS (750/101/105)	SEK115.44
6	8800820	WASHER JET CHROME 2-JETS (750/101)	SEK150.41
7	8820150	NON RETURN VALVE WASHER BAG	SEK92.69



1	1190120	CHOKE CABLE ALL MODELS WITHOUT CONSOLE/MANUAL THROTTLE CABLE SPIDER 1970-86 W. CONSOLE	SEK138.75
2	1190130	CHOKE CABLE SPIDER 1970-86 WITH CONSOLE	SEK430.26
3	1190110	MANUAL THROTTLE CABLE, NOT SPIDER WITH CONSOLE	SEK145.69
4	1190480	MANUAL THROTTLE CABLE FOR MODELS WITH PULL CHORD	SEK390.58
5	1190160	BONNET CABLE GIULIA - 750/101 SPIDER	SEK110.72
6	8900010	SPEEDOMETER CABLE 105/115 GIULIA, 750/101 - 1744 MM	SEK291.51
7	8900040	TACHOMETER CABLE 750/101/101/115 1300-1600/ GT BERTONE 1750, 1410 mm	SEK332.31



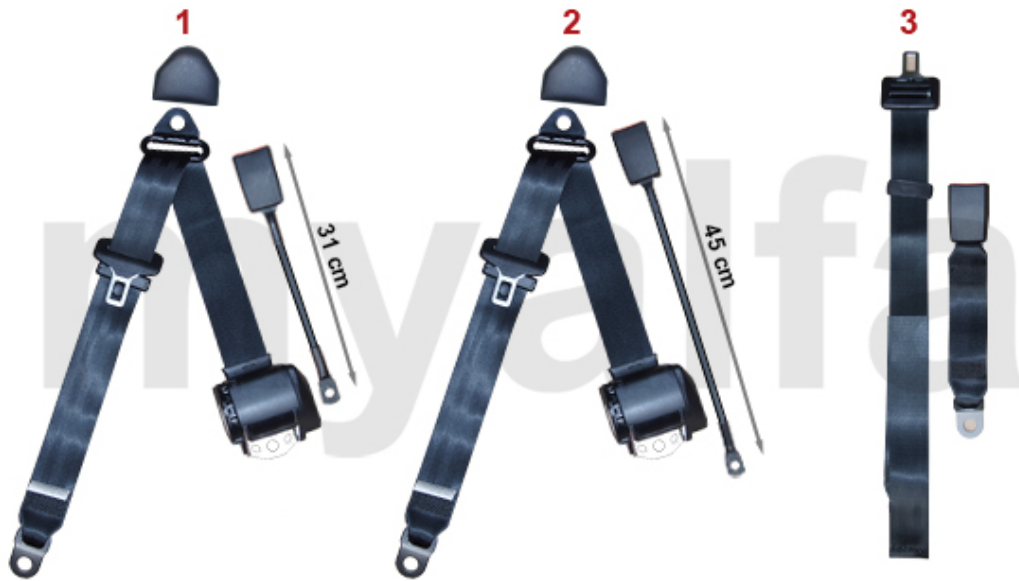
1	1701100	ACCELERATOR PEDAL STANDING PEDALS	SEK548.06
1	1700770	ACCELERATOR PEDAL HANGING PEDALS	SEK524.75
2	2521320	ADJUSTABLE ACCELERATOR ROD, LONG	SEK256.55
3	2521310	METAL THROTTLE ROD END	SEK46.07
4	1191760	RETURN SPRING ACCELERATOR LINKAGE	SEK103.79
5	2522160	BUSH ACCELERATOR LINKAGE 105/115/116, CLUTCH LINKAGE, CARBURETTOR STUD 750/101	SEK54.81
6	2521740	ACCELERATOR RUBBER MOUNT (SET)	SEK110.72
7	1700100	BRAKE / CLUTCH PEDAL RUBBER (SET 2 PC)	SEK115.44
8	4390240	CLUTCH PIVOT SHAFT HANGING PEDALS	SEK1,107.64
9	4390250	BOLT CLUTCH PIVOT SHAFT / CLUTCH MASTER CYLINDER HANGING PEDALS	SEK54.25
10	4390260	CLAMP CLUTCH PEDAL / PIVOT SHAFT HANGING PEDALS	SEK99.07
11	8630410	BRAKE LIGHT SWITCH MECHANICAL AT BRAKE PEDAL	SEK150.41
12	2521330	ADJUSTABLE THROTTLE ROD SHORT	SEK162.06
13	1630060	RUBBER SEAL FOR PEDAL BOX , HANGING PEDALS	SEK255.44
14	2520010	BALL JOINT FOR THROTTLE ROD	SEK103.79



1	1701100	ACCELERATOR PEDAL STANDING PEDALS	SEK548.06
1	1700770	ACCELERATOR PEDAL HANGING PEDALS	SEK524.75
2	2521320	ADJUSTABLE ACCELERATOR ROD, LONG	SEK256.55
3	2521310	METAL THROTTLE ROD END	SEK46.07
4	1191760	RETURN SPRING ACCELERATOR LINKAGE	SEK103.79
5	2522160	BUSH ACCELERATOR LINKAGE 105/115/116, CLUTCH LINKAGE, CARBURETTOR STUD 750/101	SEK54.81
6	2521740	ACCELERATOR RUBBER MOUNT (SET)	SEK110.72
7	1700100	BRAKE / CLUTCH PEDAL RUBBER (SET 2 PC)	SEK115.44
8	4390240	CLUTCH PIVOT SHAFT HANGING PEDALS	SEK1,107.64
9	4390250	BOLT CLUTCH PIVOT SHAFT / CLUTCH MASTER CYLINDER HANGING PEDALS	SEK54.25
10	4390260	CLAMP CLUTCH PEDAL / PIVOT SHAFT HANGING PEDALS	SEK99.07
11	8630410	BRAKE LIGHT SWITCH MECHANICAL AT BRAKE PEDAL	SEK150.41
12	2521330	ADJUSTABLE THROTTLE ROD SHORT	SEK162.06
13	1630060	RUBBER SEAL FOR PEDAL BOX , HANGING PEDALS	SEK255.44

1	1763650	UPPER VENEER DASHBOARD GIULIA 2 PIECES	SEK921.16
2	1763660	LOWER VENEER DASHBOARD GIULIA (2PC)	SEK884.95
3	1733680	VENEER FOR SHELF GIULIA SMALL	SEK555.00
4	1733670	VENEER FOR SHELF GIULIA BIG	SEK581.78
5	1733690	VENEER CONSOLE GIULIA NUOVA WITH CORRECT HOLES	SEK1,223.08
6	1733720	TRAY VENEER GIULIA SUPER NUOVA	SEK553.89
7	1730090	GEAR LEVER GAITER WITHOUT CONSOLE LEATHER BLACK	SEK687.92
7	1730050	GEAR LEVER GAITER GIULIA WITH CENTRAL CONSOLE, LEATHER BLACK	SEK687.92
7	1714010	GEAR LEVER COVER GIULIA, GT BERTONE, SPIDER W/O CENTER CONSOLE SKAY BLACK	SEK338.13
8	1730910	ASHTRAY GIULIA NUOVA	SEK1,457.43
9	8510310	CHROME TRIM SMALL INSTRUMENTS	SEK309.00
10	1731900	STEERING COLUMN SHROUD 105/ 115 WITH DEEP DISHED STEERING WHEEL& INGNITION SWITCH RIGHT	SEK2,903.21

0	1780630	SHIFT KNOB WOOD WITH SMALL BADGE	On request
0	1781050	SHIFT KNOB WOOD MAHOGANY RED WITH BIG BADGE	On request
0	1783950	GEAR KNOB WOOD BROWN COLOR WITHOUT ALFA LOGO	On request
0	1780140	GEAR-SHIFT KNOB - wood ERGONOMIC without emblem	On request
0	1784010	GEARKNOB PLASTIC ORIGINAL WITH GEAR SHIFT GATE, PUSH ON STYLE	SEK571.37
0	1784000	GEARKNOB PLASTIC ORIGINAL, PUSH ON STYLE	SEK460.51
0	1783990	GEARKNOB PLASTIC ORIGINAL, SCREW ON STYLE	SEK553.89



- | | | | |
|----------|----------------|---|------------------|
| 1 | 1761440 | INERTIA REEL SEAT BELT GIULIA / GT BERTONE STALK 31 cm | SEK931.57 |
| 2 | 1761380 | INERTIA REEL SEAT BELT GIULIA STALK 45 cm | SEK931.57 |
| 3 | 1763920 | STATIC SEAT BELT REAR | SEK465.23 |



1	1773670	STEERING WHEEL 360 mm LEATHER, CHROMED SPOKES, WITH HOLES	SEK1,737.29
2	1773620	STEERING WHEEL 350 mm LEATHER, CHROMED SPOKES, WITH SLITS	On request
3	1773640	STEERING WHEEL 360 mm LEATHER, BLACK SPOKES WITH HOLES "PREDOTIPO"	On request
4	1773630	STEERING WHEEL 360 mm BUCKSKIN CHROMED SPOKES WITH HOLES	On request
5	1773680	STEERING WHEEL 360 mm BUCKSKIN, BLACK SPOKES, WITH HOLES "PREDOTIPO"	On request

1	1774090	STEERING WHEEL 330mm MAHOGANY BROWN, CHROMED SPOKES WITH SLITS	SEK1,387.50
2	1774060	STEERING WHEEL 350mm MAHOGANY REDDISH, CHROMED SPOKES WITH SLITS	On request
3	1773520	STEERING WHEEL 330mm MAHOGANY BROWN CHROMED SPOKES WITH SLITS	On request
4	1773510	STEERING WHEEL 360mm MAHOGANY RED CHROMED SPOKES	On request
5	1773480	STEERING WHEEL 330mm MAHOGANY BROWN CHROMED SPOKES	SEK1,387.50

1	1773570	STEERING WHEEL 330mm MAHOGANY RED CHROMED SPOKES, WITH HOLES	On request
2	1774110	STEERING WHEEL 350mm MAHOGANY BROWN, CHROMED SPOKES WITH HOLES	On request
3	1773560	STEERING WHEEL 330mm MAHOGANY BROWN CHROMED SPOKES WITH HOLES	SEK1,387.50
4	1773940	STEERING WHEEL 360 mm WOOD BROWN SATIN ALU SPOKES, WITH SLITS "NARDI-REPLIKA"	SEK3,486.23
5	1774050	STEERING WHEEL 350mm MAHOGANY BROWN, CHROMED SPOKES WITH SLITS	On request



1	1772650	STEERING WHEEL 365mm LEATHER BLACK FROSTED SPOKES WITH SLITS NARDI	On request
2	1770350	STEERING WHEEL 360mm WOOD FROSTED SPOKES NARDI WITH GERMAN ABE	SEK6,471.16
3	1773760	STEERING WHEEL 360mm WOOD BROWN, POLISHED SPOKES WITH SLITS NARDI	SEK6,471.16
4	1773940	STEERING WHEEL 360 mm WOOD BROWN SATIN ALU SPOKES, WITH SLITS "NARDI-REPLIKA"	SEK3,486.23

0	1770320	NUT STEERING WHEEL - 1900, 750/101, 102/106, 105/ 115 UNTIL 1985	SEK204.10
1	1771880	STEERING WHEEL HUB SHALLOW STEERING WHEEL	SEK1,048.26
2	1771890	STEERING WHEEL HUB DEEP STEERING WHEEL	SEK1,048.26
3	1781430	SET HORN BUTTON SURROUND 53 mm, HELLEBORE, 3 PIECES	SEK173.72
3	1781420	SET HORN BUTTON SURROUND 57 mm, PERSONAL, 3 PIECES	SEK173.72
4	1731900	STEERING COLUMN SHROUD 105/ 115 WITH DEEP DISHED STEERING WHEEL& INGNITION SWITCH RIGHT	SEK2,903.21
4	1731910	STEERING COLUMN SHROUD 105/115 WITH FLAT DISHED STEERING WHEEL& INGNITION SWITCH RIGHT	SEK3,136.44
5	1731920	STEERING COLUMN SHROUD - 105 FLAT DISHED STEERING WHEEL, IGNITION IN DASHBOARD	SEK2,670.11
6	1773310	CENTER FOR ORIGINAL WOODEN STEERING WHEEL HELLEBORE	SEK921.16
6	1773300	CENTER FOR ORIGINAL WOODEN STEERING WHEEL PERSONAL	SEK921.16
7	1773360	STEERING WHEEL COVER, FLAT DISHED, SPRINT GT VELOCE, DUETTO 1600 FOR GOLDEN BADGE	SEK1,107.64
7	1773350	STEERING WHEEL CENTRE COVER FLAT DISHED 1750 GTV 1ST SERIEFOR SILVER BADGE	SEK1,107.64
8	1773392	STEERING WHEEL CENTRE KNOB - SPRINT GT, GTC, GIULIA SUPER UP TO 1967, GIULIA TI SUPER	SEK1,970.53
9	1773390	STEERING WHEEL CENTRE KNOB RING - SPRINT GT, GTC, GIULIA SUPER UP TO 1967, GIULIA TI SUPER	SEK1,107.64
10	1360670	BADGE STEERING WHEEL CENTRE SILVER	SEK174.27
11	1360660	BADGE STEERING WHEEL CENTRE GOLD	SEK174.27
12	1363630	BADGE STEERING WHEEL CENTRE Alfa Romeo	SEK243.65
13	1773394	SPRING STEERING WHEEL CENTRE KNOB - SPRINT GT, GTC, GIULIA SUPER UP TO 1967, GIULIA TI SUPER	SEK326.48
14	1773393	INSTALLATION KIT STEERING WHEEL CENTRE KNOB - SPRINT GT, GTC, GIULIA SUPER UP TO 1967, GIULIA TI SUPER	SEK1,504.05
15	5510350	HALF MOON SEAL FOR STEERING ROD	SEK92.13
16	1770310	LOCKING TAB STEERING WHEEL UNTIL 1985	SEK57.17

1	1703670	SET SEAT COVERS GIULIA TI 1966-72 FRONT + REAR VINYL SKAI BORDEAUX	SEK9,082.85
1	1703660	SET SEAT COVERS GIULIA TI 1966-72 FRONT + REAR VINYL SKAI BLACK	SEK10,015.67
1	1704030	SET SEAT COVERS FRONT/REAR GIULIA TI, 1966-72, VINYL SKAI CINGHIALE 574	SEK10,015.67

1	1703640	SET SEAT COVERS FOR 2 SEATS GIULIA SUPER 1969-74, VINYL SKAI BLACK	SEK5,305.11
1	1703650	SET SEAT COVERS FOR 2 SEATS GIULIA SUPER 1969-1974, VINYL SKAI CINGHIALE 574	SEK5,818.20
1	1703620	SET SEAT COVERS FOR 2 SEATS GIULIA SUPER 1969-74, VINYL SKAI CINGHIALE 576	SEK5,818.20
1	1703631	SEAR COVER GIULIA SUPER FROM 1969 TO 74, VINYL SKAI BORDEAUX 465, LEFT	SEK3,206.37
1	1703632	SEAR COVER GIULIA SUPER FROM 1969 TO 74, VINYL SKAI BORDEAUX 465, RIGHT	SEK3,206.37
2	1703600	SET SEAT COVERS FRONT/REAR GIULIA SUPER 1.3/1.6, 1969-74, VINYL SKAI "CINGHIALE" 576	SEK9,909.53

1	1701090	SET SEAT COVERS GIULIA NUOVA SUPER FRONT VINYL SKAI BLACK	SEK6,704.26
1	1701120	SET SEAT COVERS GIULIA NUOVA SUPER FRONT VINYL SKAI BROWN 576	SEK6,704.26
2	1701110	SEAT COVER GIULIA NUOVA Super REAR VINYL SKAI BLACK	SEK5,584.97
2	1703100	SEAT COVER GIULIA SUPER NUOVA REAR VINYL SKAI BROWN 576	SEK5,584.97
3	1701170	SET SEAT COVERS GIULIA NUOVA SUPER FRONT + REAR Stoff / VINYL SKAI BROWN 576	SEK13,280.32
3	1705100	SEAT COVER (SET COMPLETE) GIULIA NUOVA 1974-77, VINYL SKAI FABRIC BLACK/GRAY 572/663	SEK13,280.32

1	1703580	SET SEAT COVERS FRONT/REAR BERLINA 1750, VINYL SKAI CHINGIALE 574	SEK10,901.73
1	1703590	SET SEAT COVERS FRONT/REAR BERLINA, VINYL SKAI BLACK 572	On request
2	1705590	REAR SEAT COVER BERLINA 1750 1st SERIES 1968-70, VINYL SKAI CINGHIALE 576	SEK5,305.11
2	1705610	REAR SEAT COVER BERLINA 1750 1st SERIES 1968-70, VINYL SKAI BLACK 572	SEK5,305.11

1	1705540	SEAT COVER (FRONT SET) BERLINA 1750, VINYL SKAI BLACK 572	SEK6,354.47
1	1705560	SEAT COVER (FRONT SET) BERLINA 1750, VINYL SKAI CONGHIALE 576	SEK6,354.47
2	1705550	REAR SEAT COVER 2nd SERIES 1970-72, VINYL SKAI BLACK 572	SEK5,305.11
2	1705570	REAR SEAT COVER BERLINA 1750 2nd SERIES 1970-72, VINYL SKAI CINGHIALE 576	SEK5,305.11

1	1705500	SEAT COVER (COMPLETE SET) BERLINA 2000, VINYL SKAI CINGHIALE 576	SEK11,997.85
1	1705520	SEAT COVER (COMPLETE SET) BERLINA 2000, VINYL SKAI BLACK 572	SEK12,242.61

1	1742730	SET INNER DOOR TRIM PANELS GIULIA 1974-78, BLACK, VERTICAL SEAMS	SEK6,517.78
1	1742740	SET INNER DOOR TRIM PANELS GIULIA 1962-73, BLACK, CROSS SEAM WITH CHROME TRIM	SEK6,517.78
1	1742750	SET INNER DOOR TRIM PANELS GIULIA 1962-73, CROSS SEAM WITH CHROME TRIM	SEK6,517.78
2	1752750	HEADLINING GIULIA CREME "SNAKEBITE"	SEK2,320.32
2	1752760	HEADLINING GIULIA CREME "SNAKEBITE" / FRONT BLACK CLEA	SEK2,320.32
2	1751410	HEADLINING GIULIA NUOVA CREME	SEK2,320.32
2	1752730	HEADLINING GIULIA LIGHT GRAY	SEK2,740.04
2	1752710	HEADLINING GIULIA BLACK "SNAKEBITE"	SEK2,320.32
2	1752720	HEADLINING GIULIA BLACK	SEK2,320.32
3	1762680	SET SUN VISORS GIULIA BLACK/BLACK	SEK1,393.33
4	1760200	ANTI VIBRATION SCREW LONG STICK IN REAR VISION MIRROR	SEK115.44
5	1760210	ANTI VIBRATION SCREW SHORT SCREWD IN REAR VISION MIRROR	SEK115.44
6	1571620	SET INTERIOR LENSES SERIES 2 GIULIA/GT BERTONE/BERLINA	SEK394.05
7	1623420	CHROME TRIM FOR ARM REST GT BERTONE, GIULIA	SEK107.25

1	1792801	RUBBER FLOOR MAT GIULIA LEFT, STANDING PEDALS	SEK1,970.53
2	1792811	RUBBER FLOOR MAT GIULIA LEFT, HANGING PEDALS	SEK1,970.53
3	1792812	RUBBER FLOOR MAT GIULIA RIGHT	SEK1,970.53
3	1792802	RUBBER FLOOR MAT GIULIA RIGHT, FLOOR MOUNTED PEDALS	SEK1,970.53
4	1792830	RUBBER MAT BOOT FLOOR PANEL GIULIA BLACK	SEK2,786.66
5	1792852	RUBBER MAT TRUNK GIULIA RIGHT	SEK1,737.29
6	1792851	RUBBER MAT TRUNK GIULIA LEFT	SEK1,737.29
7	1791970	RUBBER MAT TRUNK GIULIA / GT BERTONE FRONT BLACK	SEK1,853.84
8	1792840	RUBBER MAT REAR PANEL GIULIA	SEK1,690.67
9	1793330	CLIP FOR TRUNK RUBBER MATS	SEK34.97
10	1761000	RUBBER HANDBRAKE GAITER GIULIA BLACK	SEK408.06

1	1711070	CARPET SET GIULIA STANDING PEDALS, VELOURS BLACK, TUNNEL HANDBRAKE	SEK2,436.87
2	1711050	CARPET SET GIULIA STANDING PEDALS VELOURS BLACK NO BLACK, UMBRELLA HANDBRAKE	SEK2,670.11
2	1711380	CARPET GIULIA STANDING PEDALS WITH UMBRELLA HANDBRAKE, VELOURS ANTHRAZITE	SEK5,340.07
2	1711390	CARPET SET GIULIA STANDING PEDALS UMBRELLA HANDBRAKE VELOURS BROWN	SEK5,934.75
2	1711410	CARPET GIULIA FLOOR MOUNT PEDALS WITH UMBRELLA HANDBRAKE BOUCLE GRAY	SEK9,316.09
3	1711080	CARPET SET GIULIA HANGING PEDALS, VELOURS BLACK	SEK2,320.32
4	1711190	BOOT CARPET SET GIULIA VELOURS BLACK	SEK2,320.32
5	1713630	TRANSMISSION TUNNEL MAT SET GIULIA WITHOUT CENTRE CONSOLE, WITH UMBRELLA HANDBRAKE, VINYL BLACK	SEK2,681.76



1	1722770	FOOT MAT SET GIULIA STANDING PEDALS, BLACK WITH RED BADGE	SEK757.85
2	1722771	FOOT MAT SET GIULIA STANDING PEDALS, VELOURS BLACK EMBROIDERED BADGE	SEK991.09
3	1722570	FOOT MAT SET GIULIA HANGING PEDALS, BLACK WITH RED BADGE	SEK757.85
4	1722571	FOOT MAT SET GIULIA HANGING PEDALS, VELOURS BLACK EMBROIDERED BADGE	SEK991.09



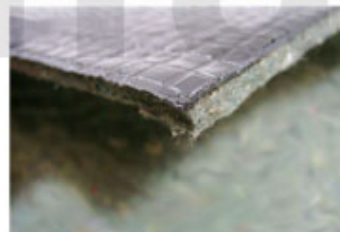
1 1711190 *BOOT CARPET SET GIULIA VELOURS BLACK*

SEK2,320.32

Dämmmatten/Insulating Mats



1. 970 235 0
50X100 cm



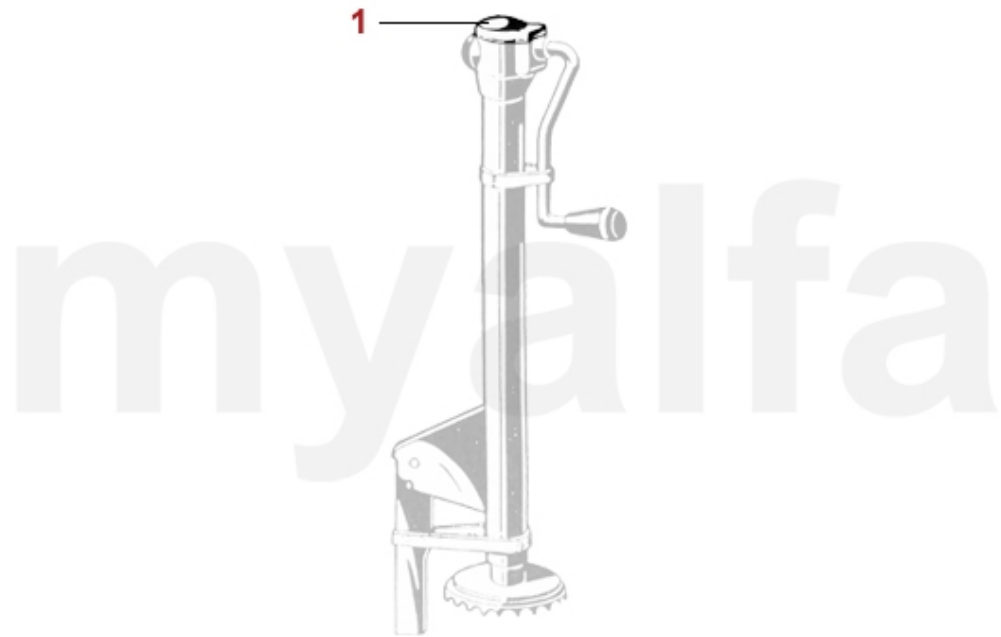
1 9702350 **INSULATING MAT ORIGINAL MATERIAL 50 x 100 cm**

SEK292.62



- | | | | |
|----------|----------------|--|--------------------|
| 1 | 9111080 | CAR COVER ECOLINE GIULIA, RED | SEK687.92 |
| 2 | 9112050 | CAR COVER MADE TO MEASURE ALFA ROMEO GIULIA WITH BADGE, RED | SEK1,970.53 |
| 3 | 9112690 | CAR COVER ALFA ROMEO GIULIA WEATHERPROOF, GREY | SEK1,270.95 |

1	9730010	FERTAN-CORROSION PROTECTION 30ML (43,30 EURO/100ML)	On request
2	9730020	FERTAN-CORROSION PROTECTION - 1 l	SEK687.92
3	9730210	CORROSION PROTECTION GREASE 750 g MIKE SANDER	SEK231.99
4	9730050	UNDERSEAL 1000 ml	On request



1 9811050 BATTAINI CAP FOR JACK TOP ALFA ROMEO 105 SERIES

SEK197.58

1	9822260	BATTERY CHARGER AB-4 ABSAAR	SEK553.89
2	9822250	BATTERY LIFE SAFER	SEK448.86

1	1590130	REPLACEMENTS BULBS BOX (WITH H4 BULB)	SEK465.23
1	1590140	REPLACEMENTS BULBS BOX (WITH BILUX BULB)	SEK465.23

